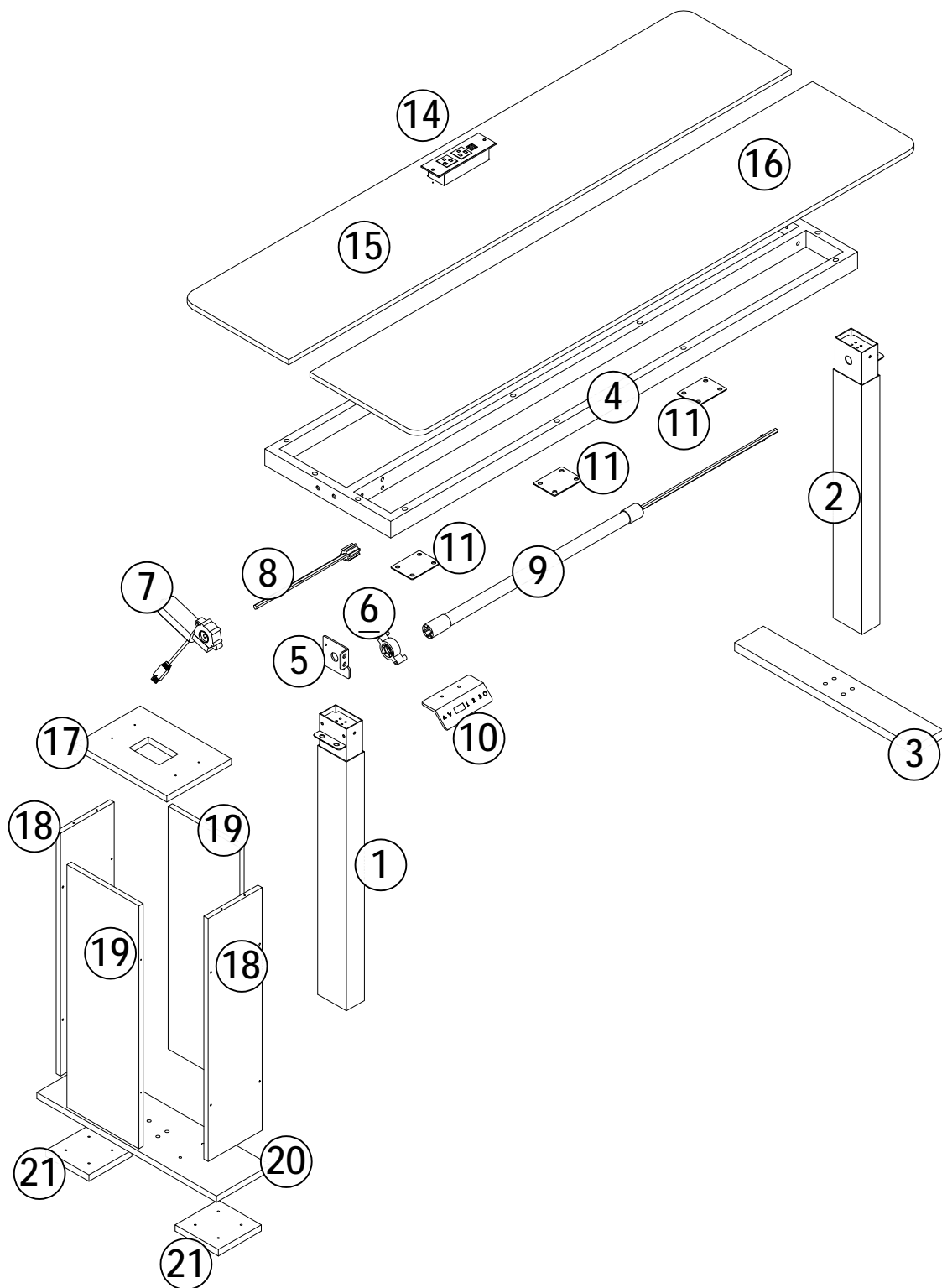
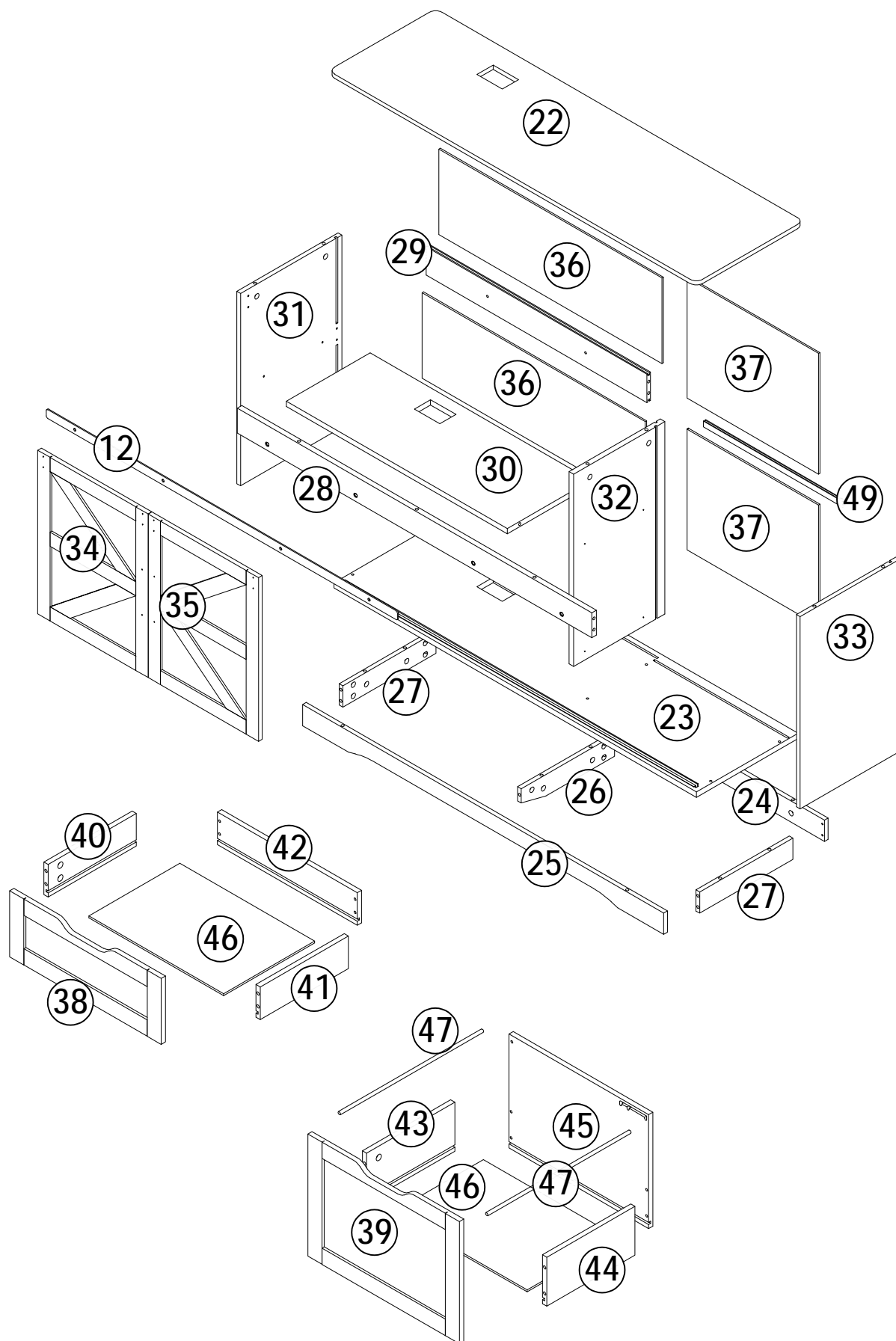
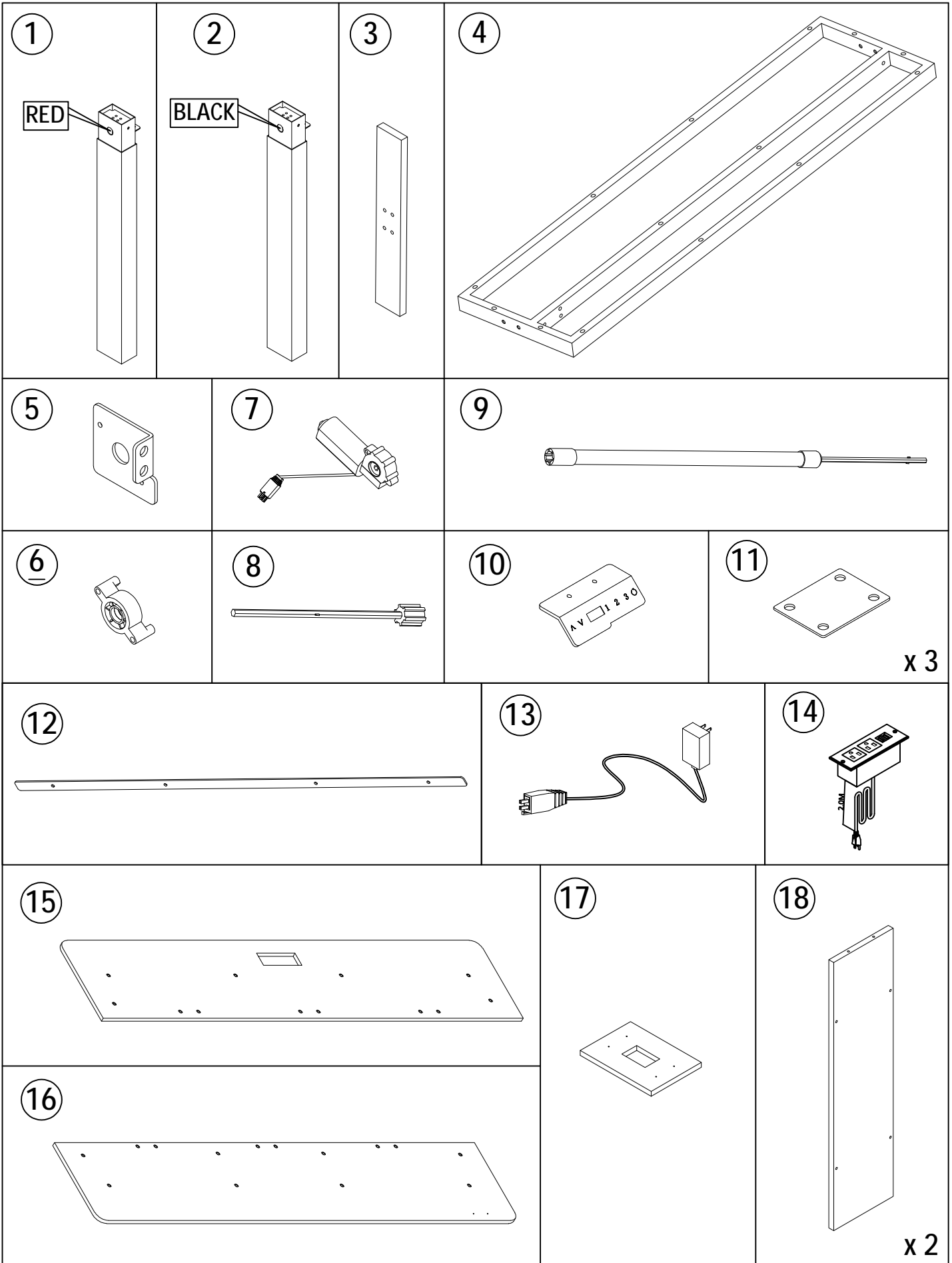


GAUTION:When tightening the screws,tighten sequentially.
Do not tighten any screws fully and then towards the next one.
When every part is OK,then tighten all the screws

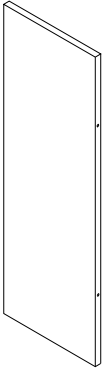






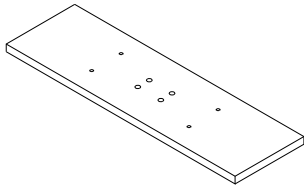


19

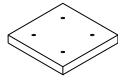


x 2

20

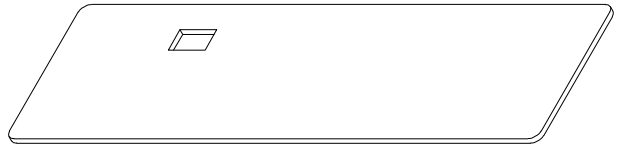


21



x 2

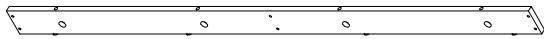
22



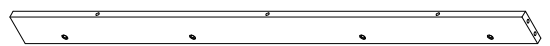
23



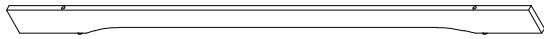
24



28



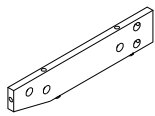
25



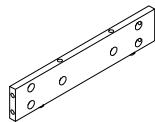
29



26

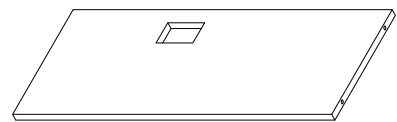


27

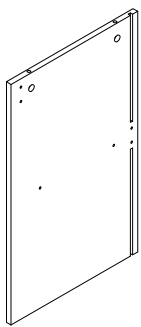


x 2

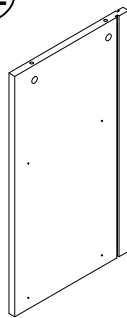
30



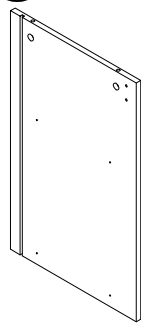
31



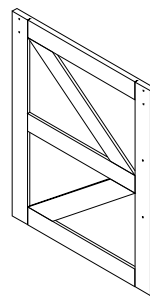
32



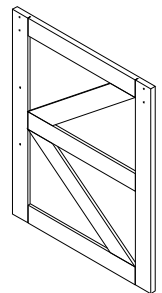
33



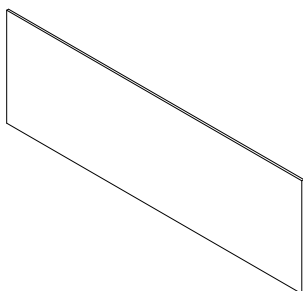
34



35

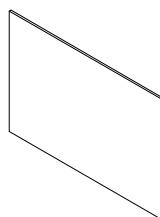


36



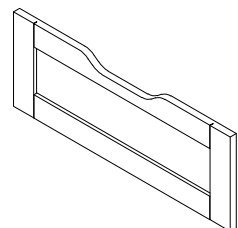
x 2

37



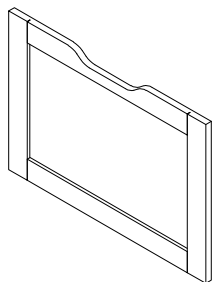
x 2

38

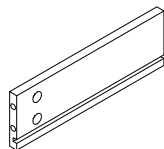




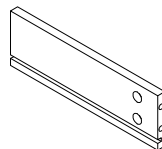
39



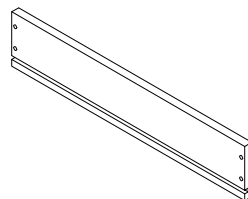
40



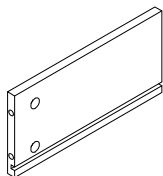
41



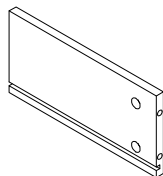
42



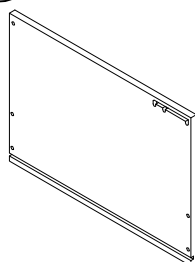
43



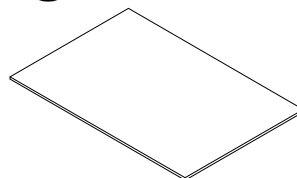
44



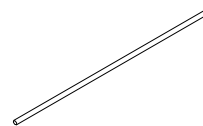
45



46

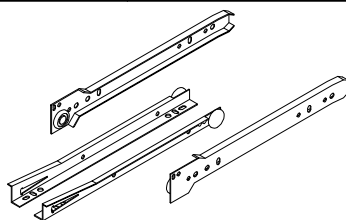


47



x 2 265 mm x 2

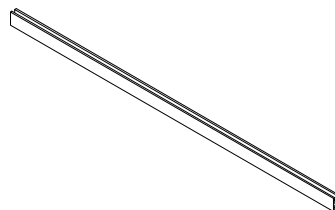
48














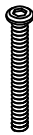






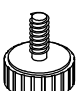

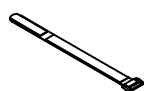
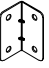


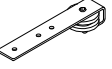
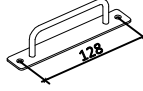


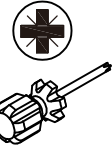
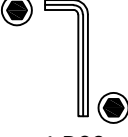
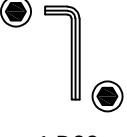


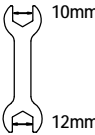
10" 0.8mm

x 2

49

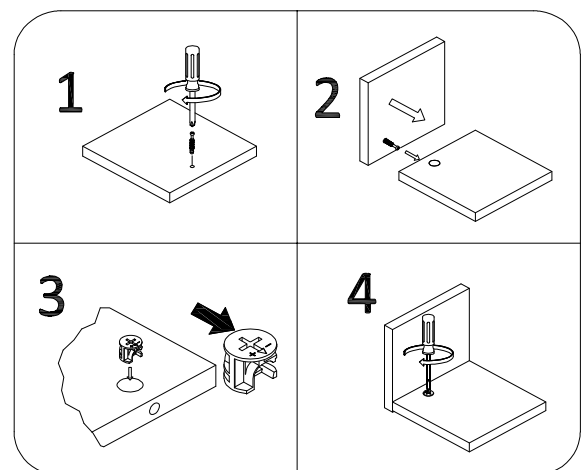
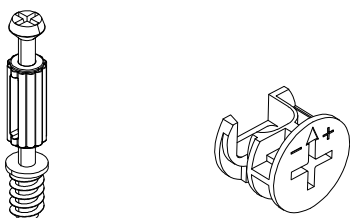


417 mm

A M5x42  52 PCS	B Ø15x10  52 PCS	C M5x40  32 PCS	D M3.5x12  50 PCS	E M3.5x14  24 PCS	F M3.5x25  8 PCS	G  22 PCS	H M4x16  4 PCS	
I M4x45  2 PCS	J M6x10  16 PCS	K M6x30  8 PCS	L M6x50  14 PCS	M 14*5*1  2 PCS	N 15*6*2  14 PCS	O M4  2 PCS	P M6xL12  2 PCS	
Q M8x40  8 PCS	R 62x33x2  4 PCS	S M8X15  2 PCS	T Ø30x3  8 PCS	U  1 PCS	V 38x20x25  X 3	W M6x25  4 PCS	X Ø12xØ6x12  4 PCS	
Y 115x20x17  4 PCS	Z 313-128  2 PCS	BB M3.5x12  8 PCS	CC Ø22x1  20 PCS	 1 PCS	5#  1 PCS	4#  1 PCS	3#  1 PCS	
M4  1 PCS	10mm 12mm  1 PCS							

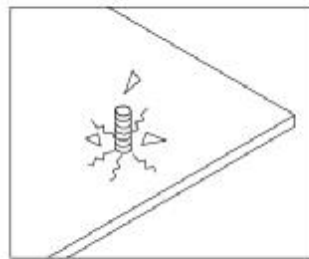
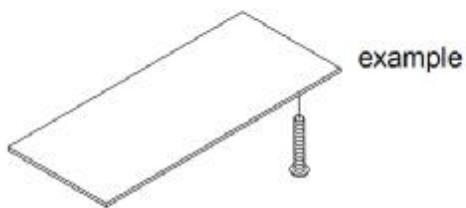
Cam Lock Fastening System

This Cam Lock Fastening System will be used throughout the assembly process

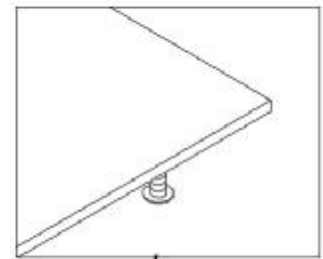


1. Matters needing attention

Be sure to use the proper screws to avoid damaging the parts



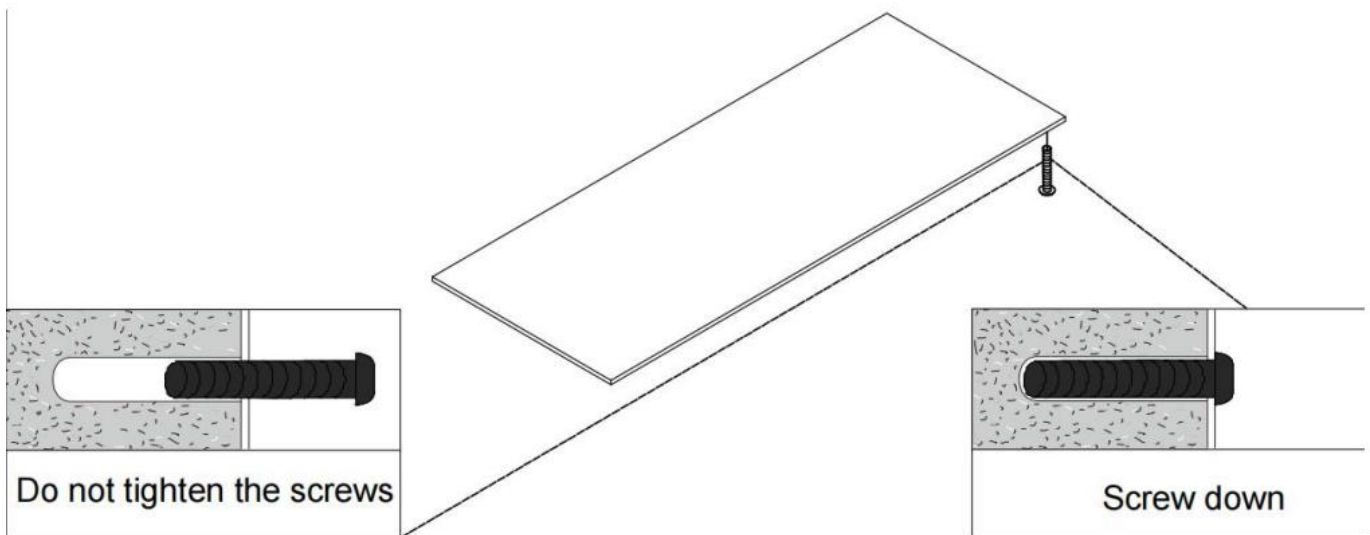
Wrong screws can cause the plank to crack



The right screw is the right size

2. Matters needing attention

- (1) When installing the screws in the installation step, the screws do not need to be tightened. After this installation step is confirmed and the holes are aligned, then tighten all the screws.
- (2) If the screws are tightened during the installation process, it will cause problems such as misalignment of the screw holes and misalignment of the board in subsequent installations.

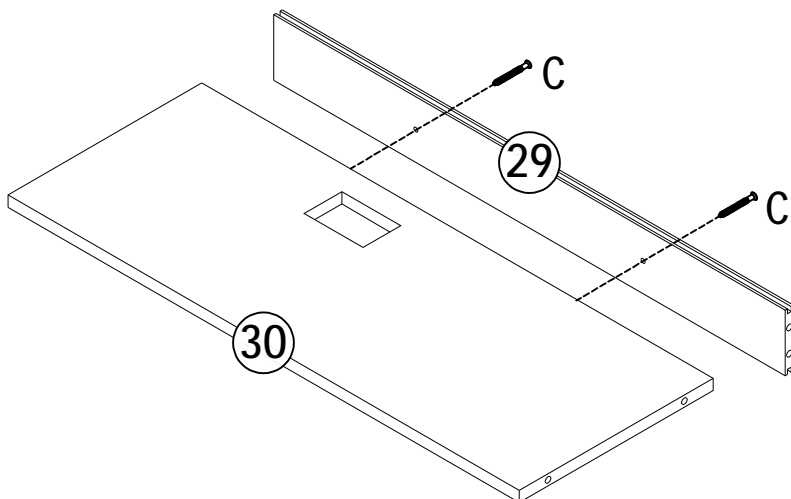


1

C M5x40



2 PCS

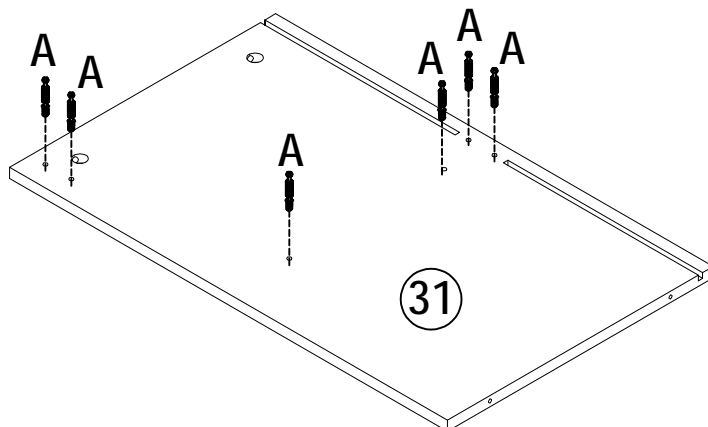


2

A M5x42



6 PCS

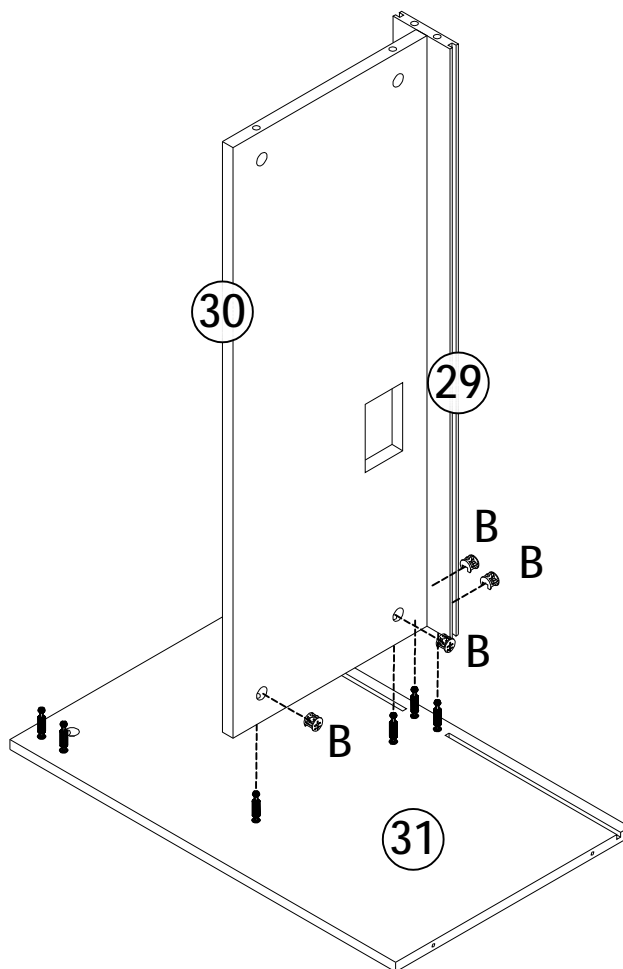


3

B \varnothing 15x10



4 PCS

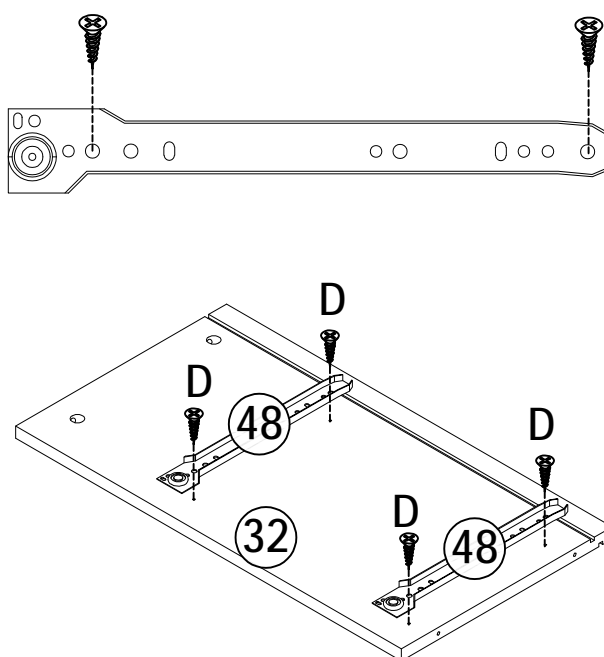


4

D M3.5x12



4 PCS

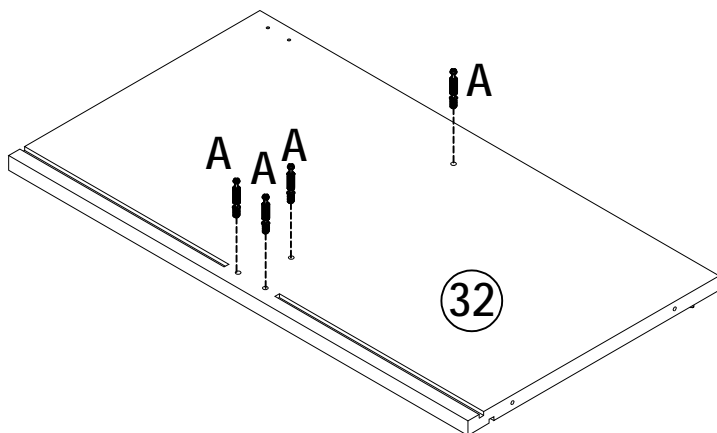


5

A M5x42



4 PCS

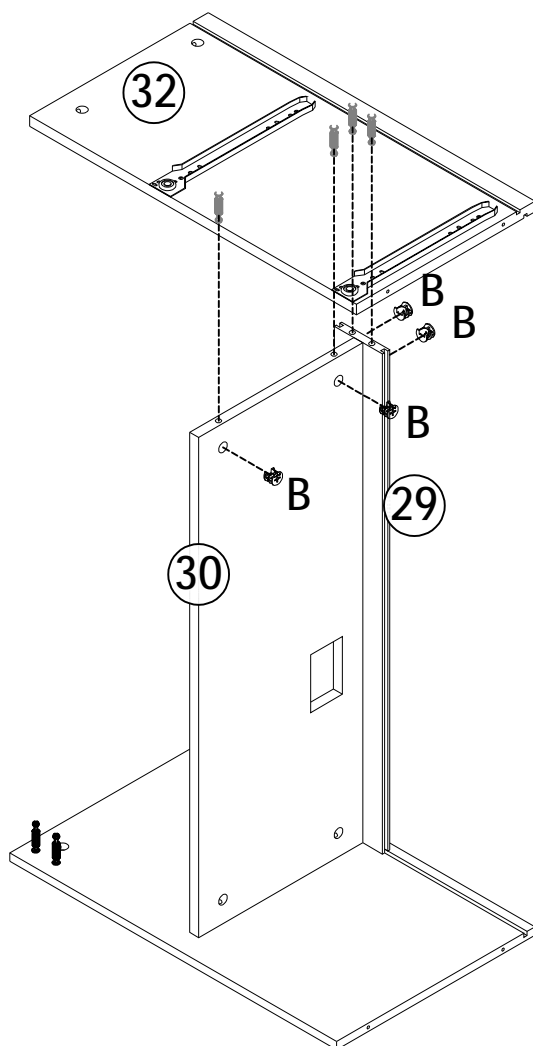


6

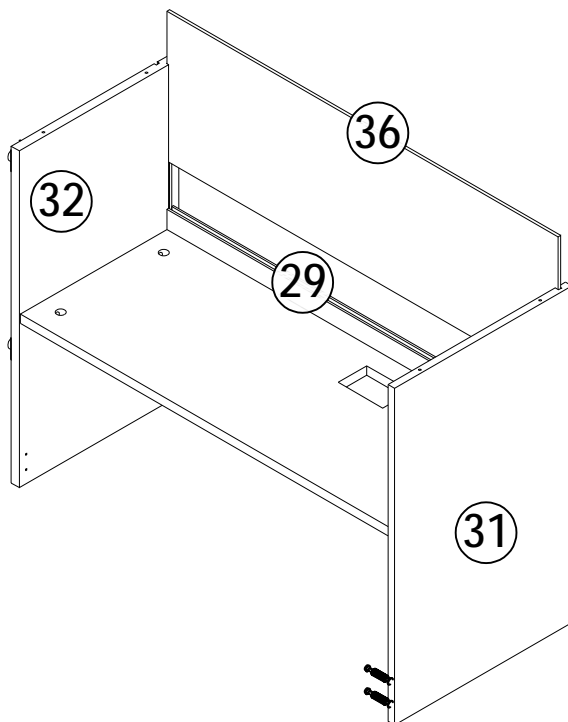
B Ø15x10



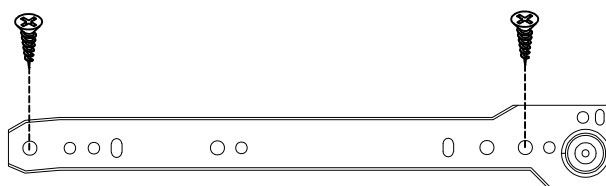
4 PCS



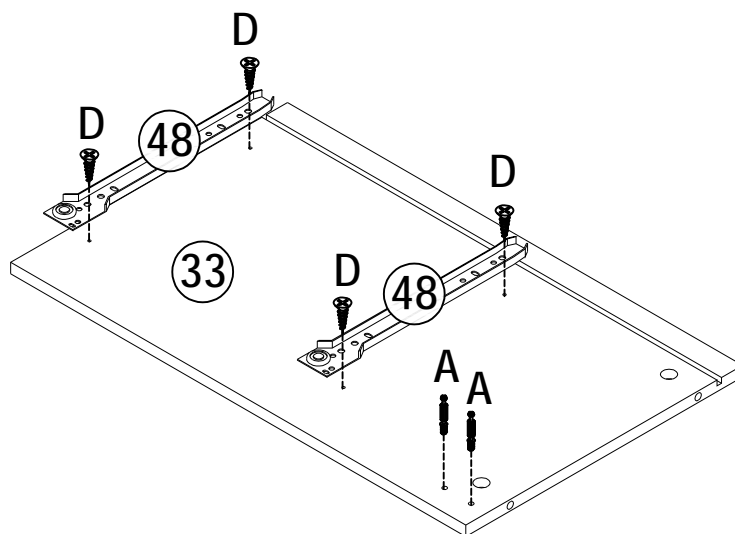
7



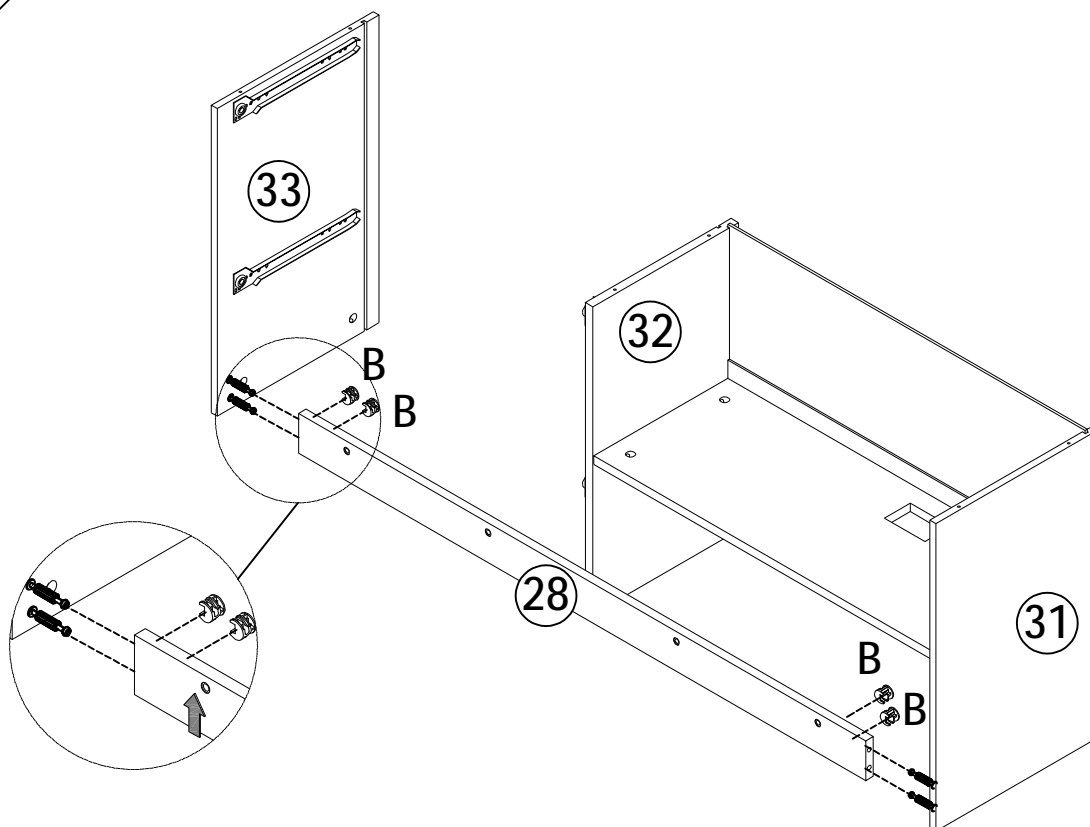
8



A M5x42	D M3.5x12
2 PCS	4 PCS



9

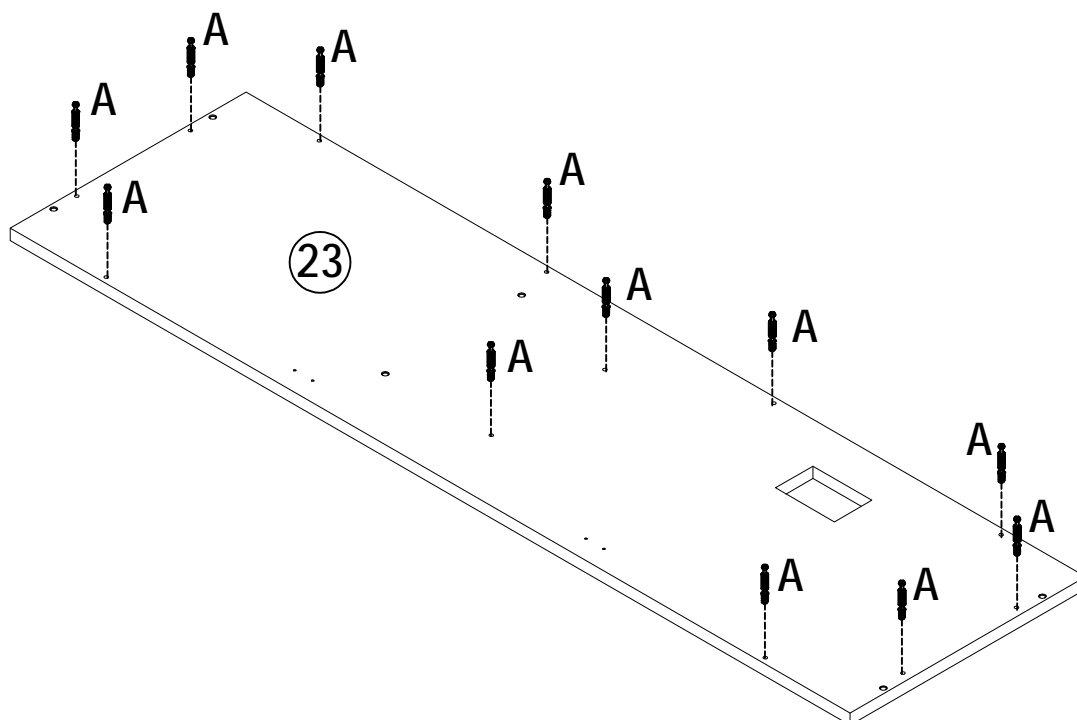


B $\varnothing 15 \times 10$



4 PCS

10



A M5x42



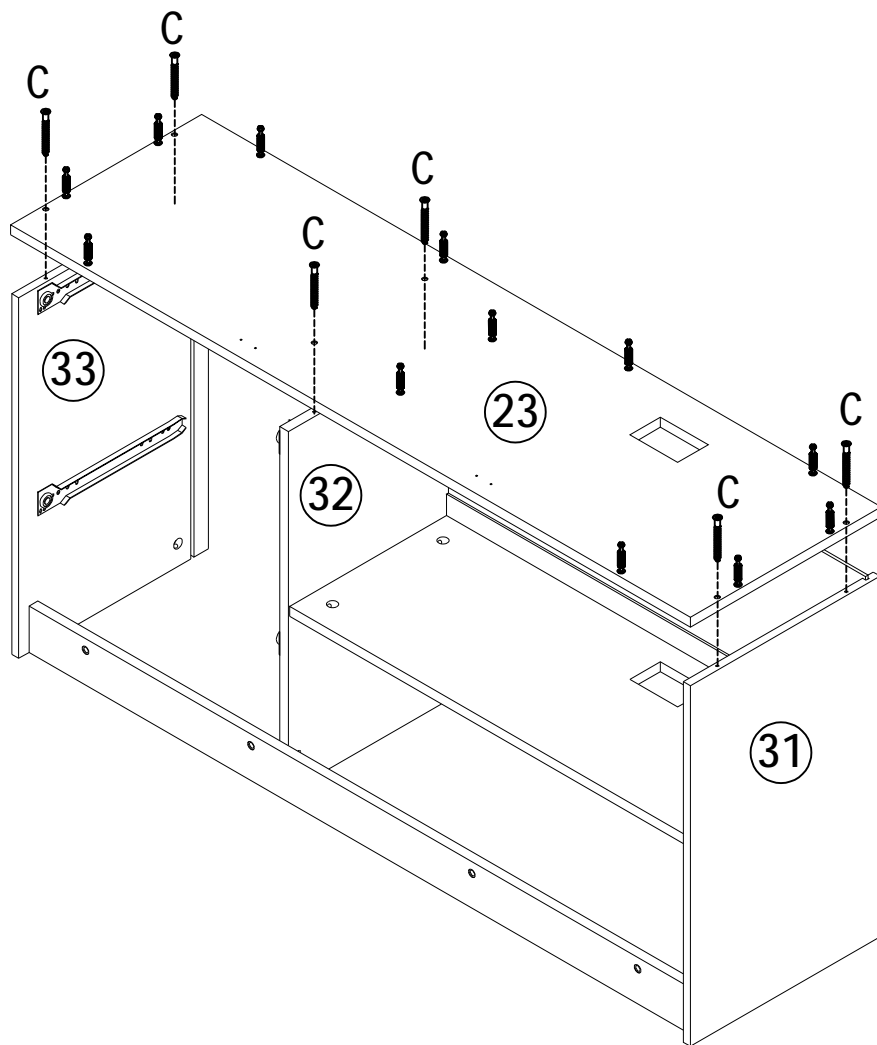
12 PCS

11

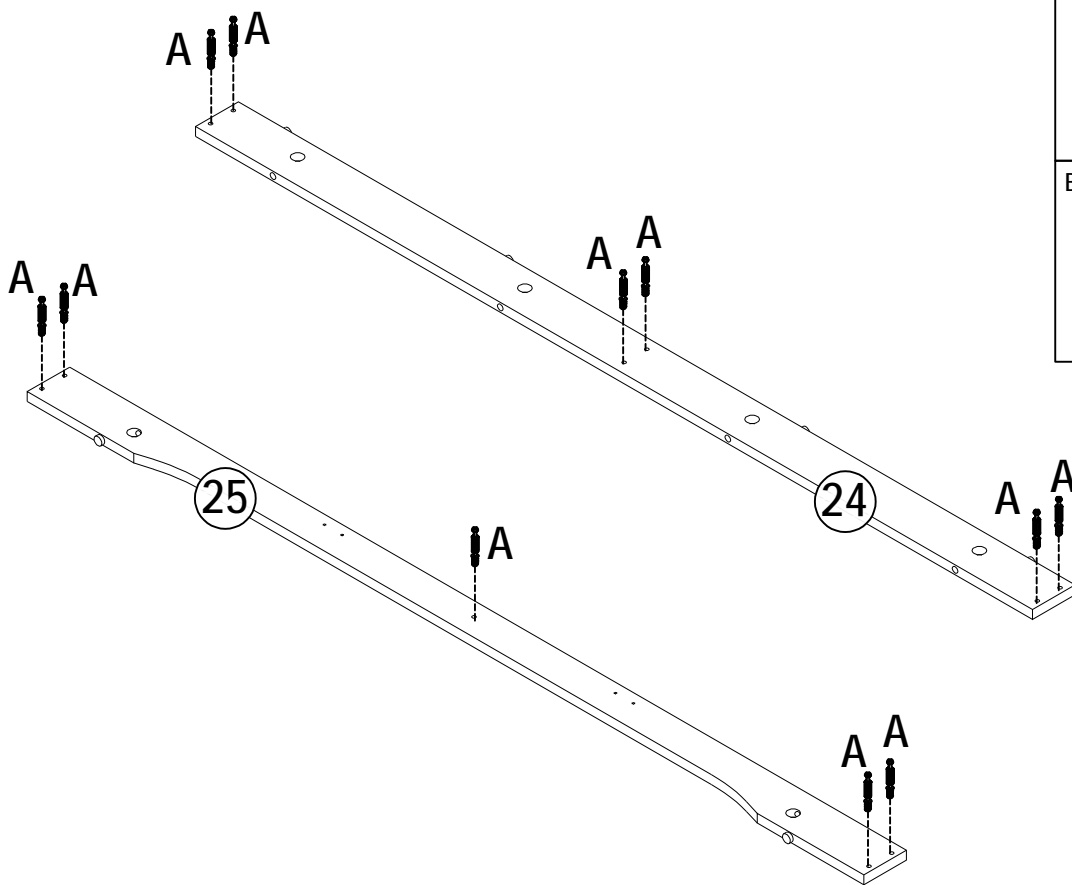
C M5x40



6 PCS



12



A M5x42

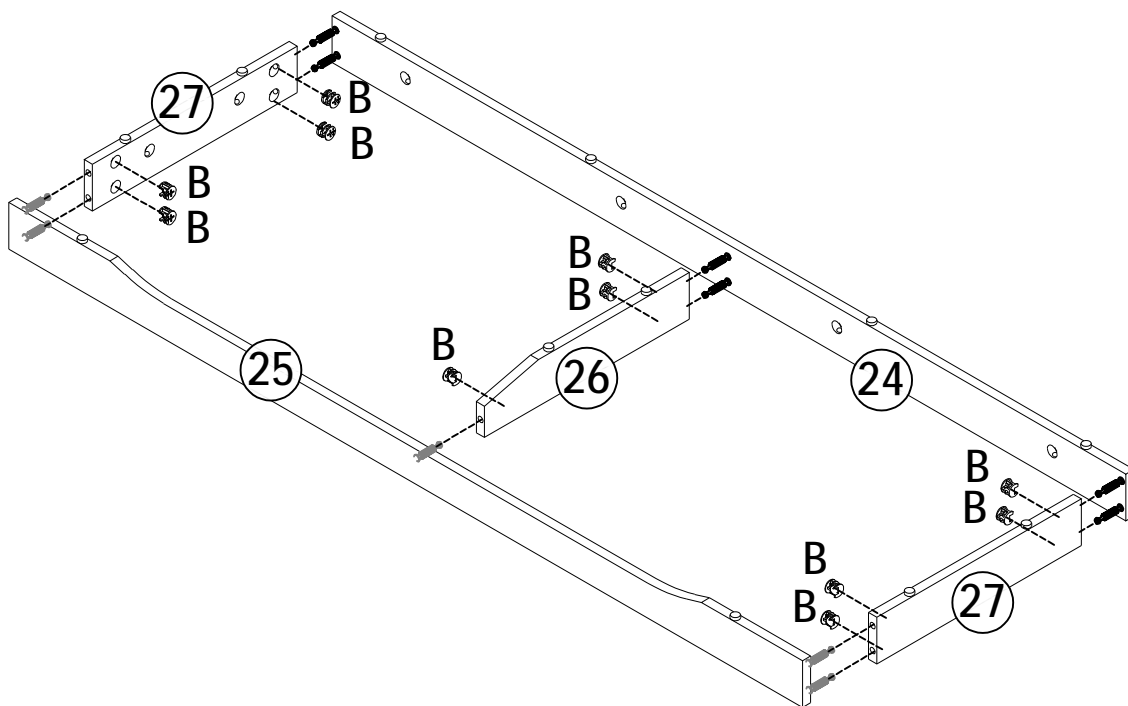


11 PCS

B Ø15x10



11 PCS

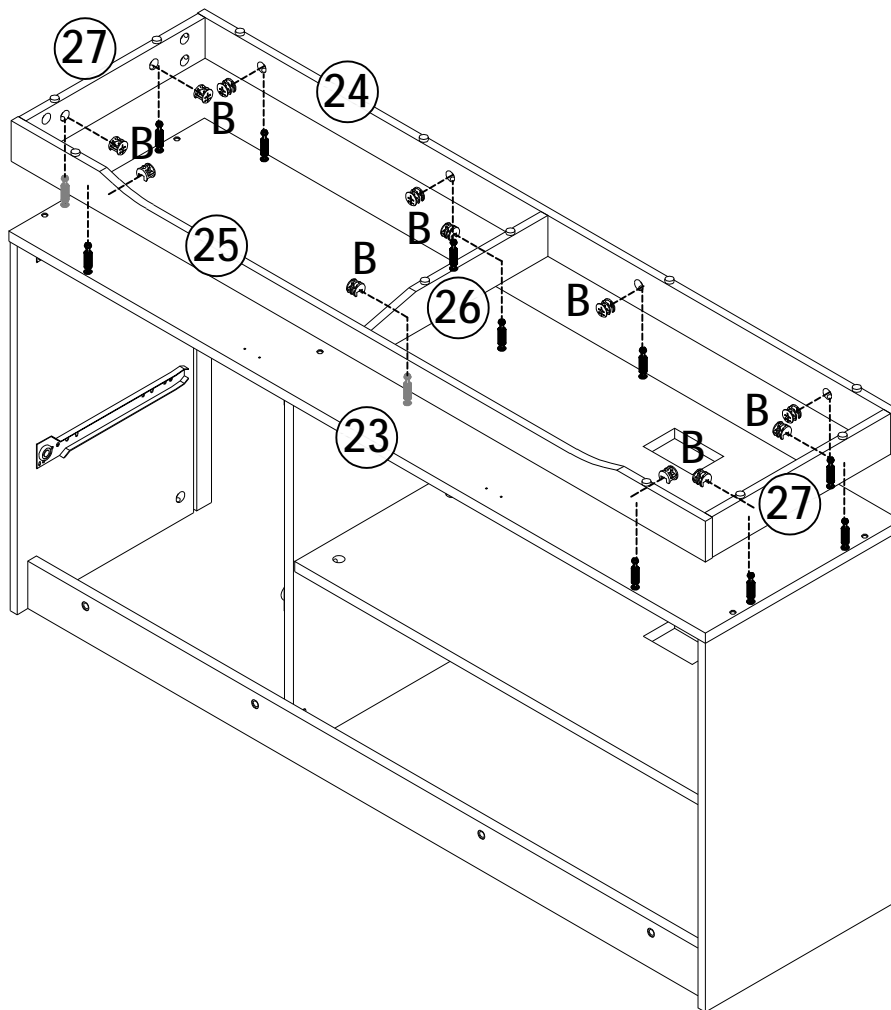


13

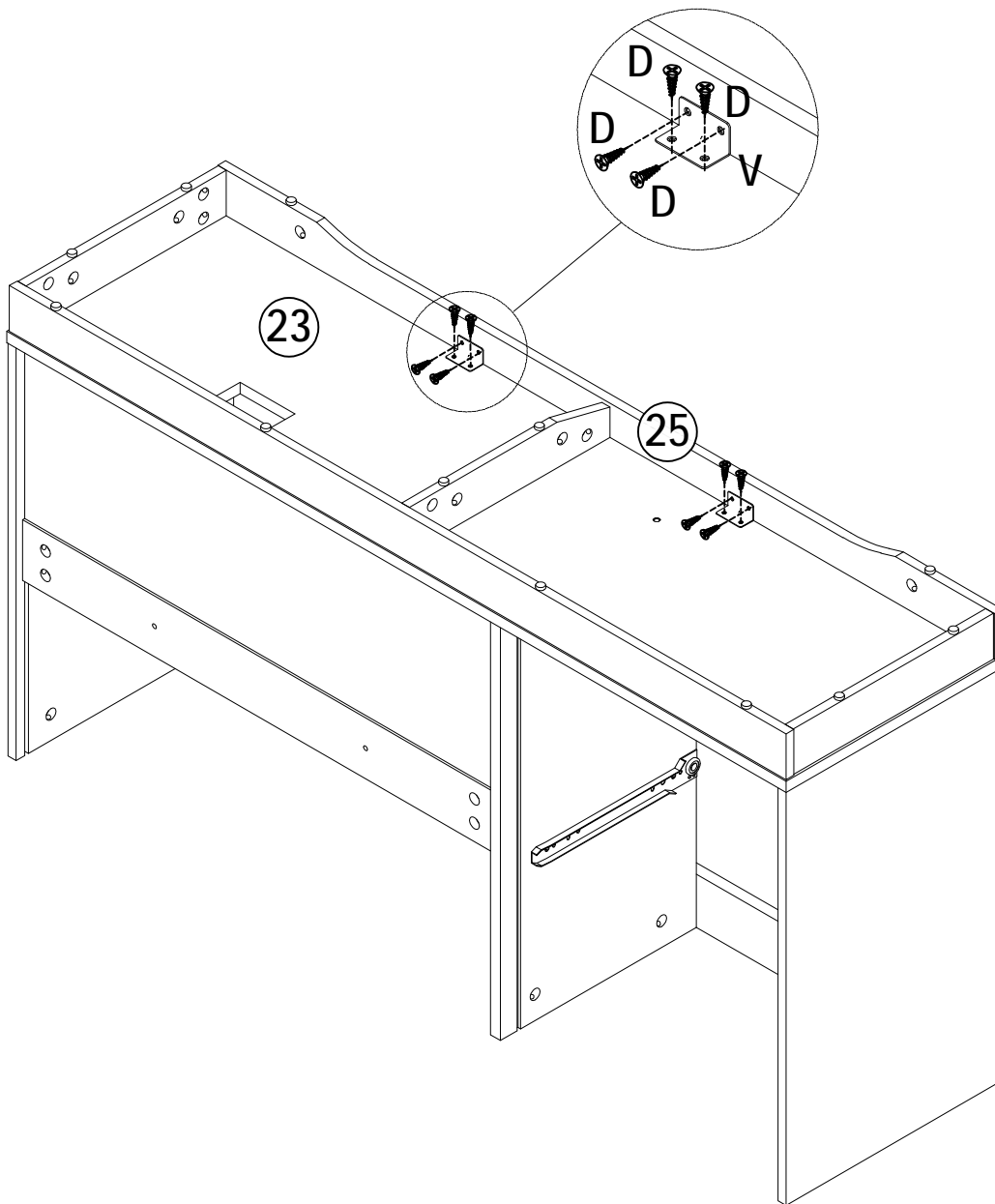
B Ø15x10



12 PCS



14



D M3.5x12



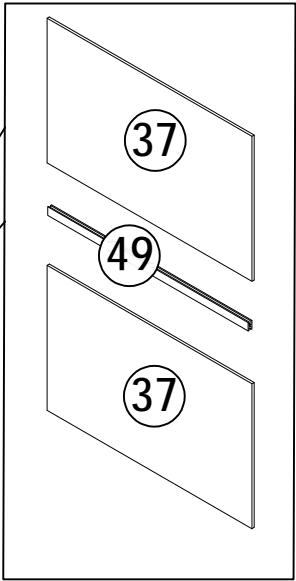
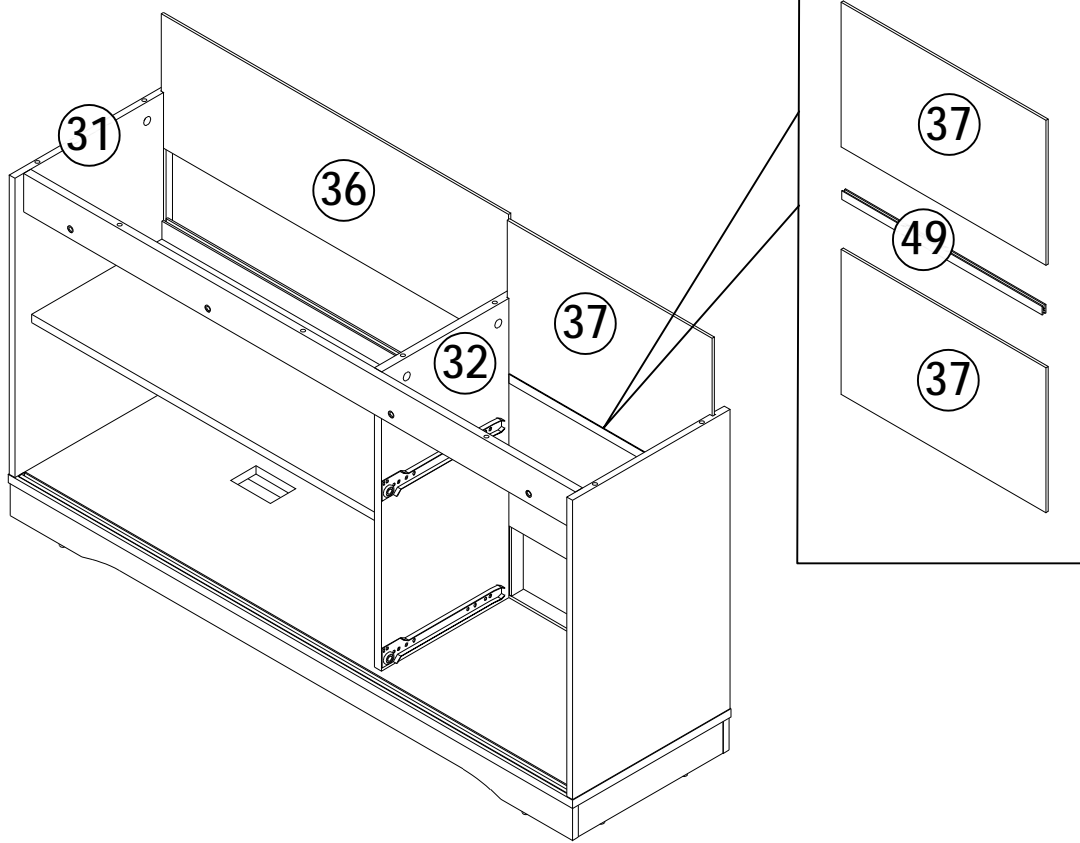
8 PCS

V 38x20x25



2 PCS

15



D M3.5x12

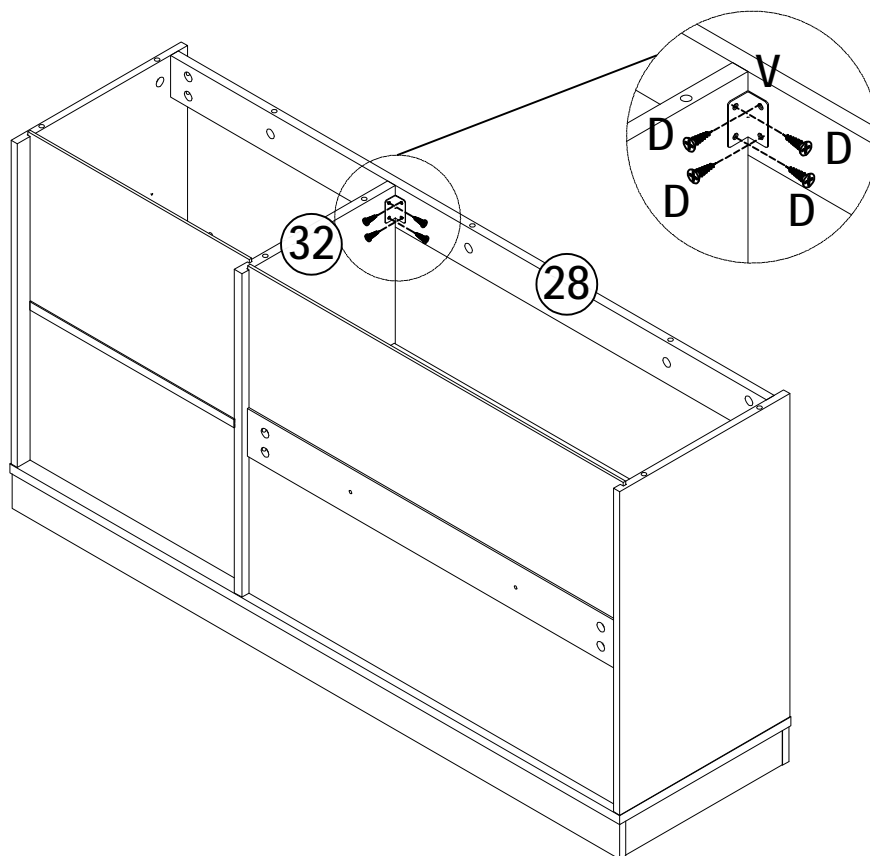


4 PCS

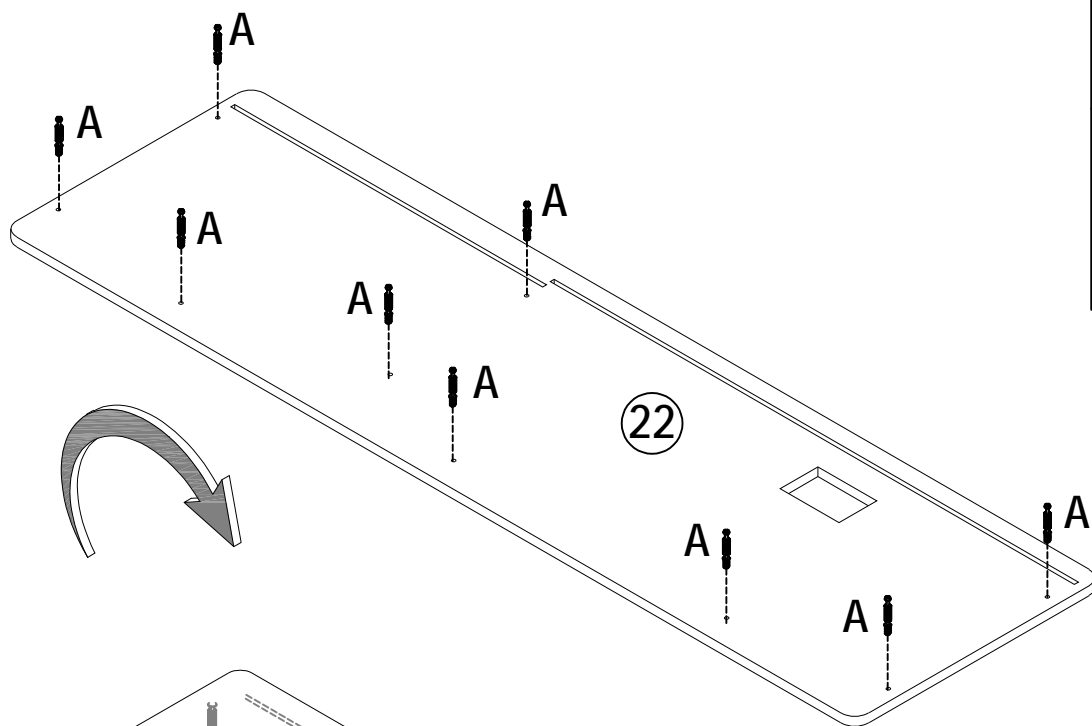
V 38x20x25



1 PCS



16



A M5x42

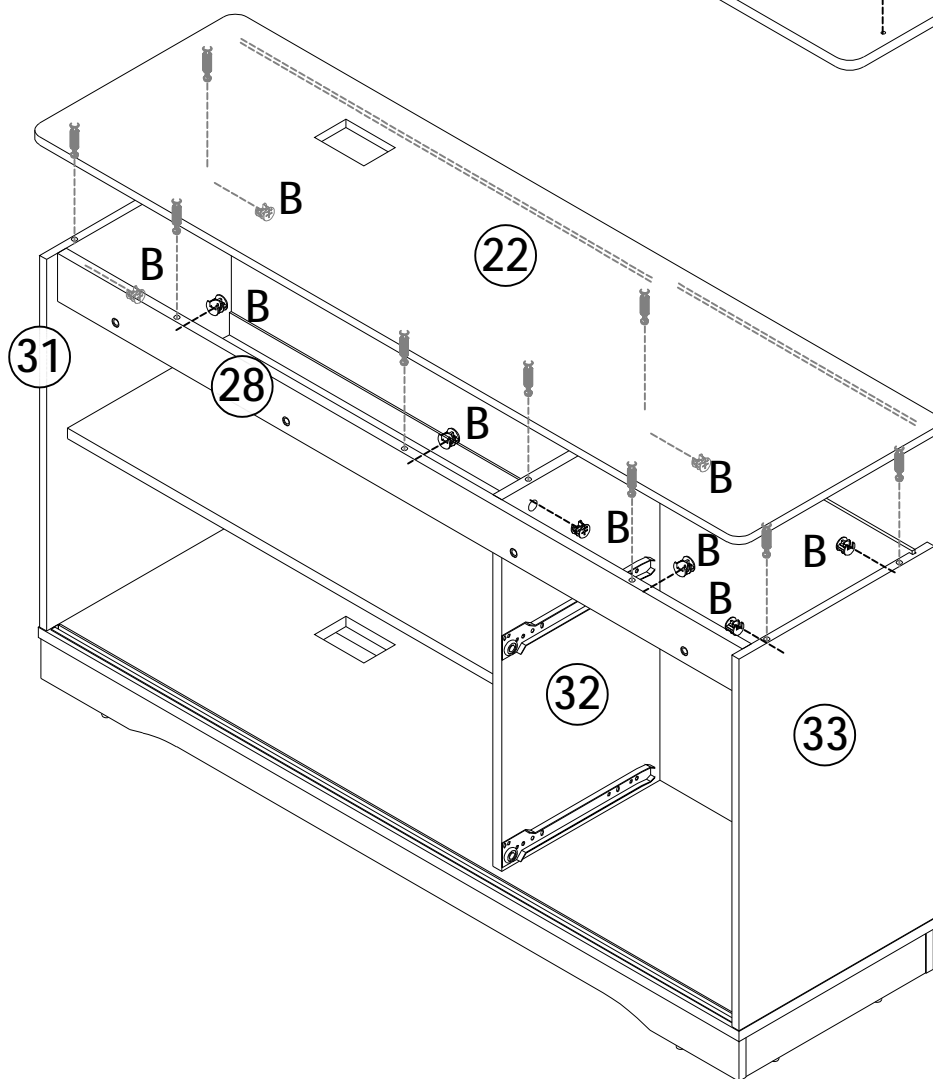


9 PCS

B Ø15x10



9 PCS



17

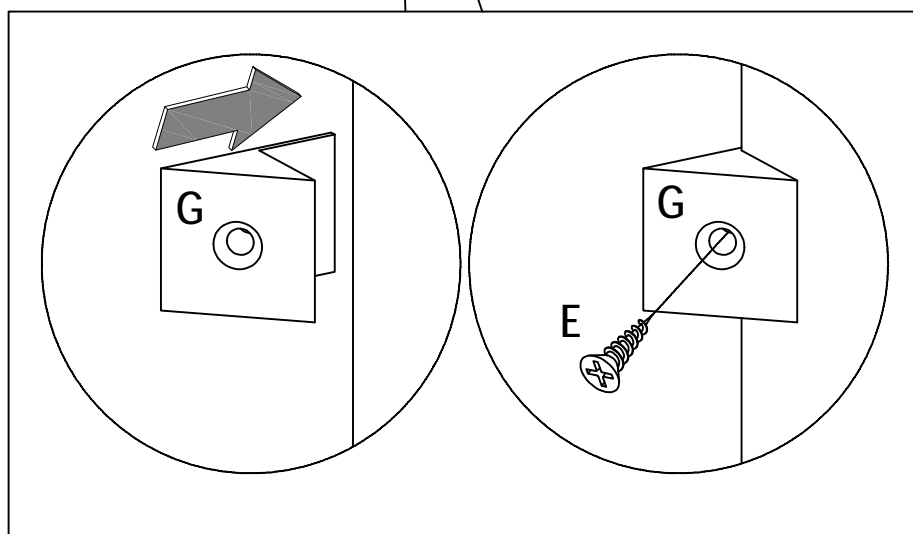
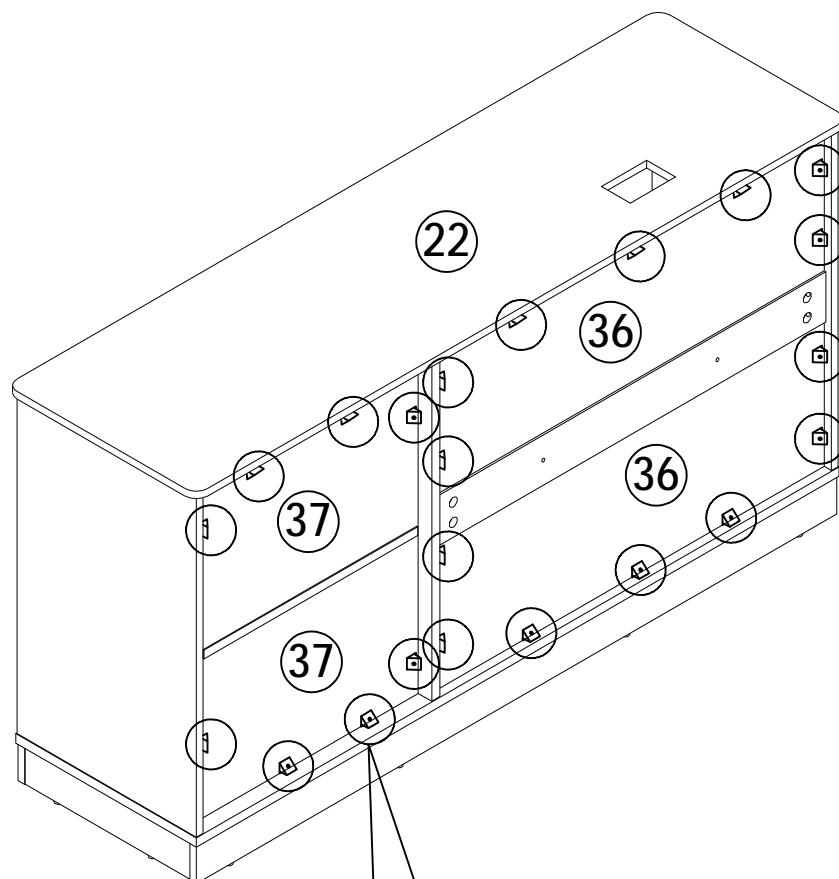
E M3.5x14

G

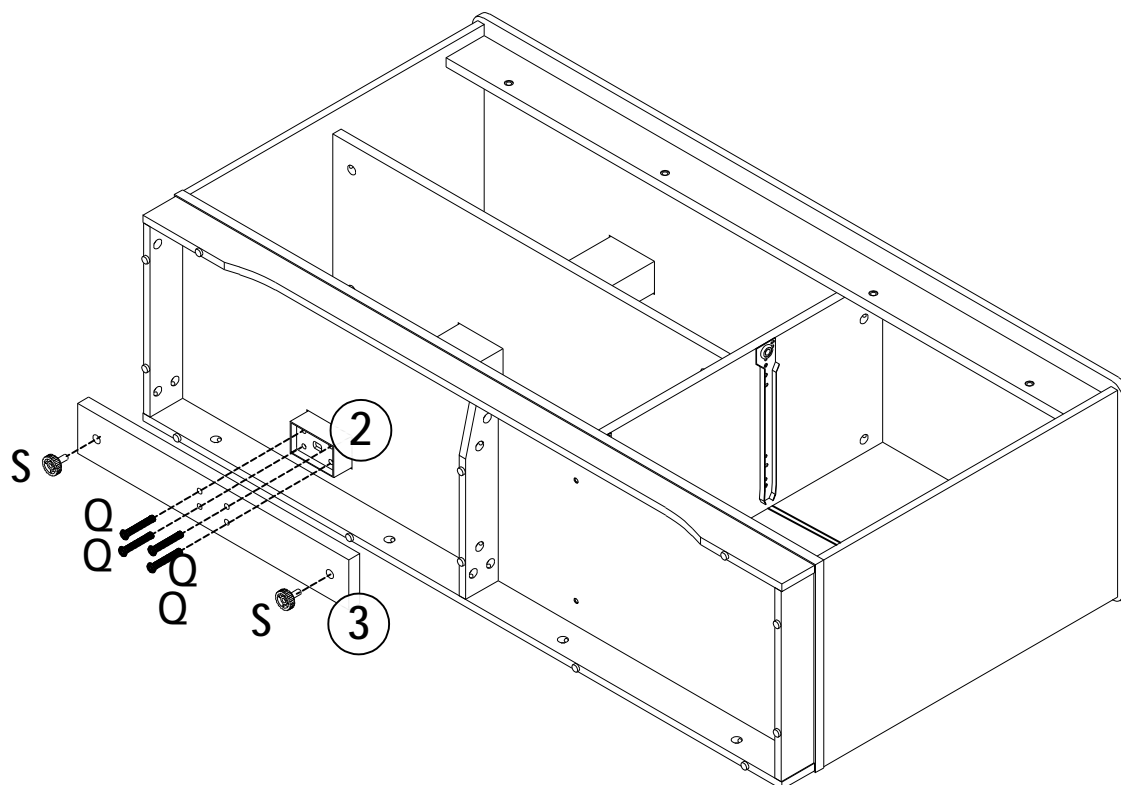
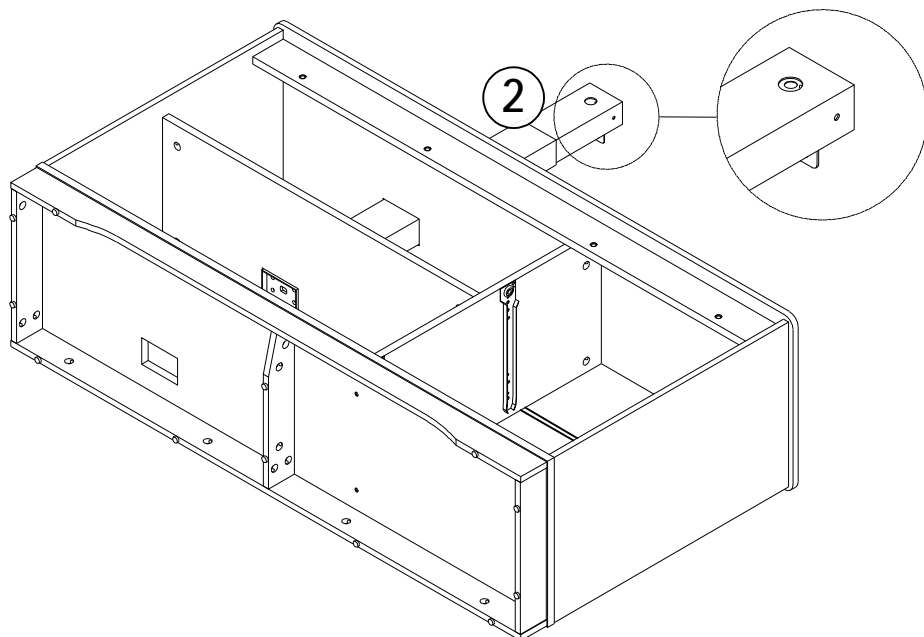


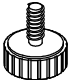
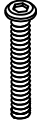
22 PCS

22 PCS

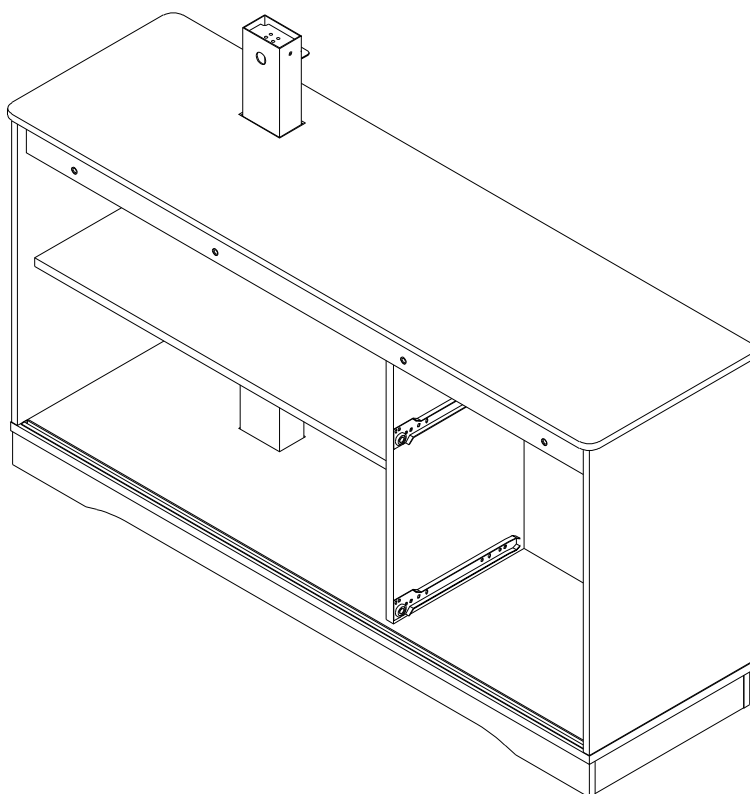


18



- S M8X15

2 PCS
- Q M8x40

4 PCS

19

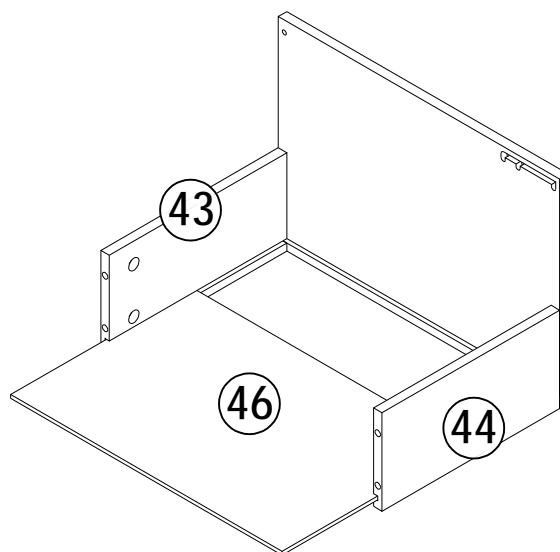
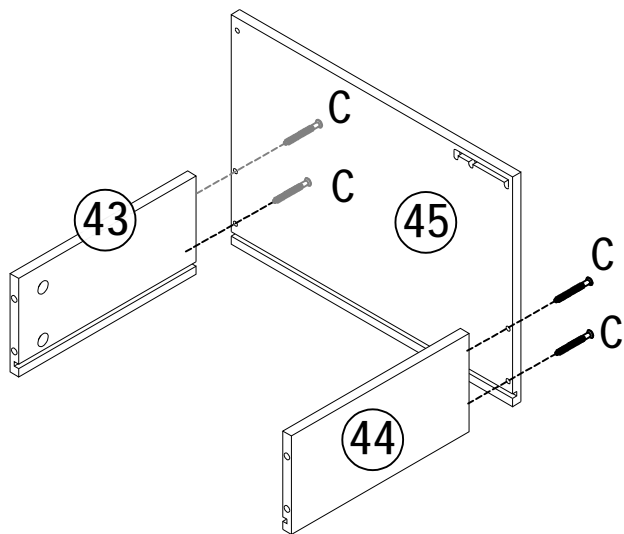
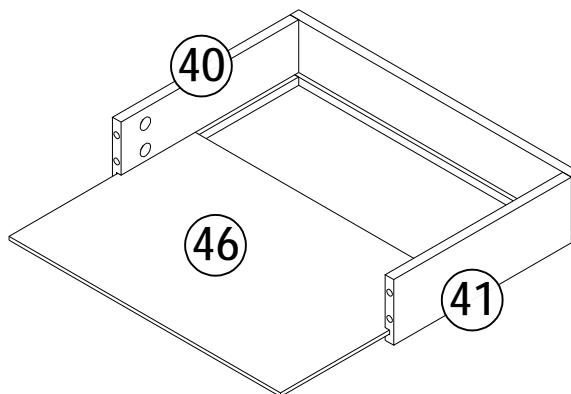
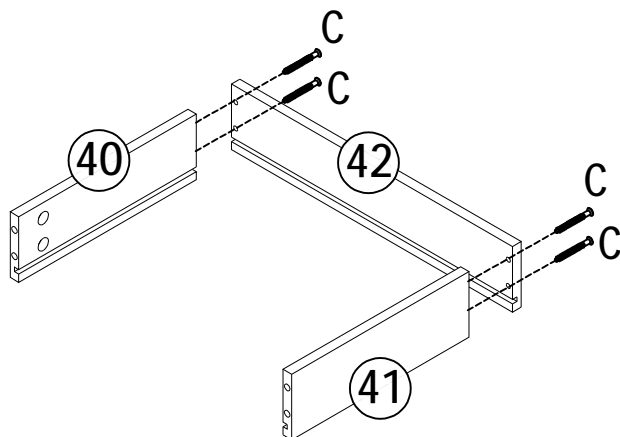


20

C M5x40



8 PCS



21

A M5x42

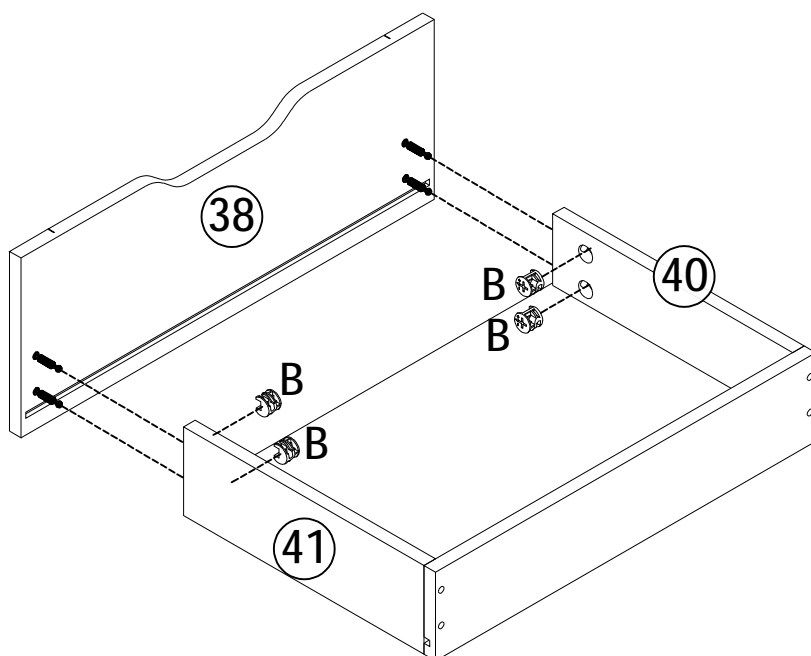
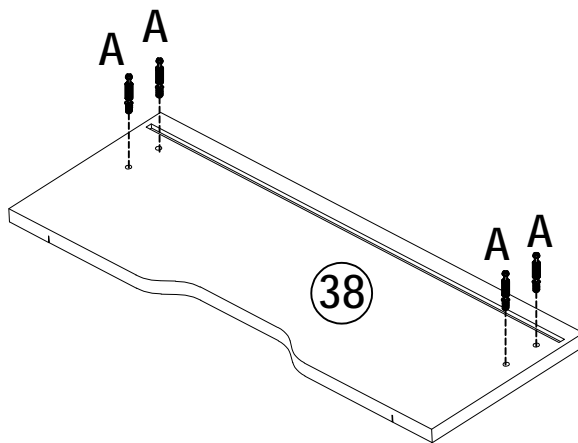


4 PCS

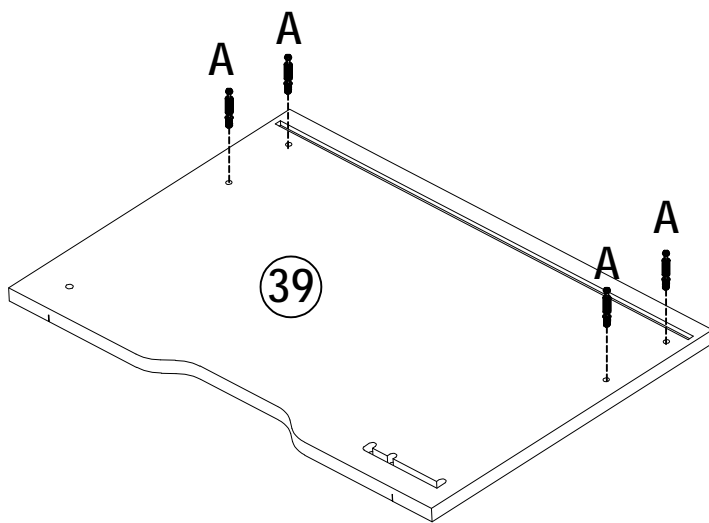
B Ø15x10



4 PCS



22



A M5x42

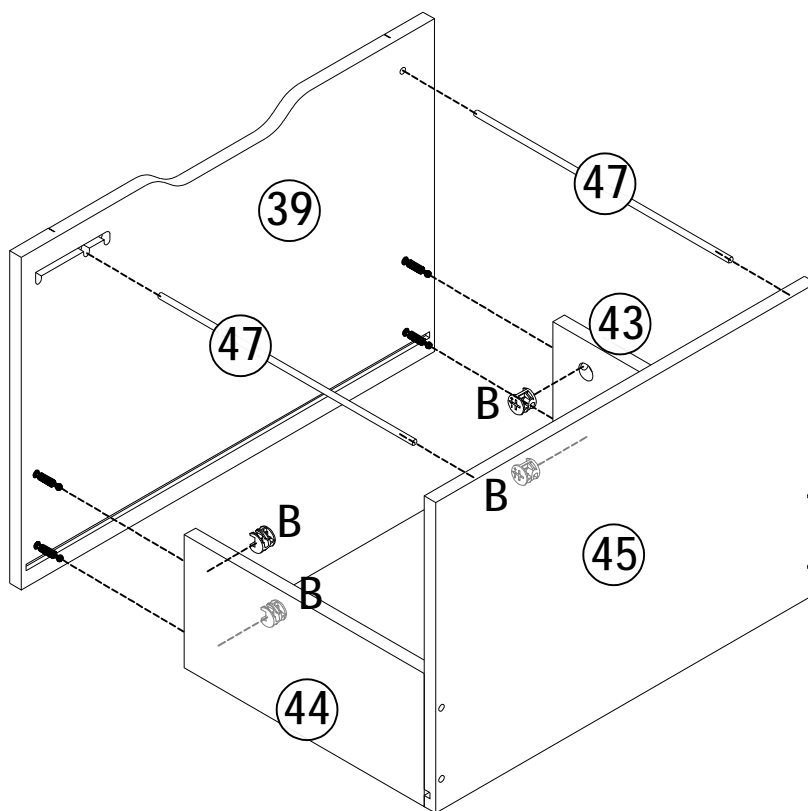


4 PCS

B Ø15x10



4 PCS

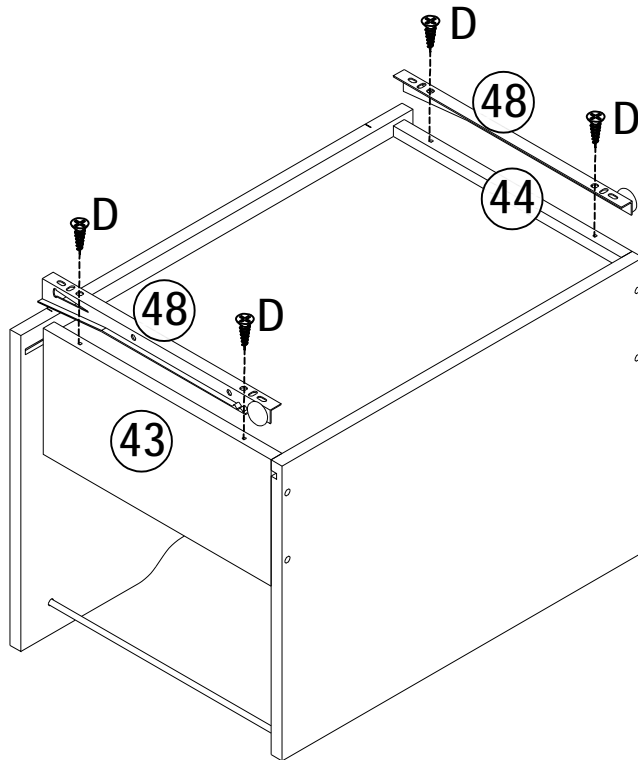
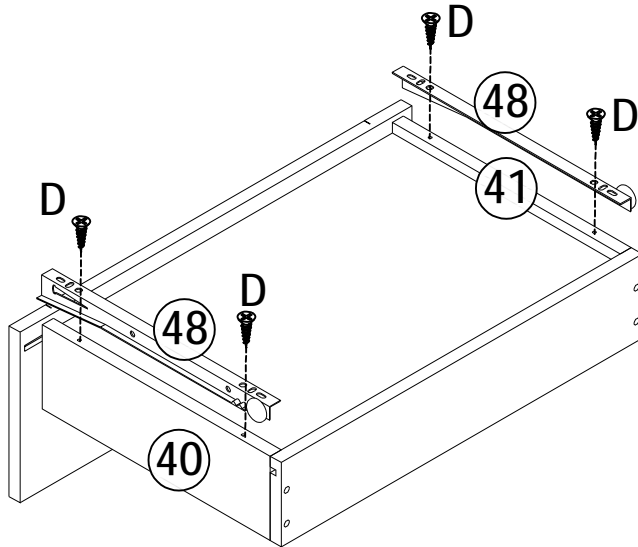


23

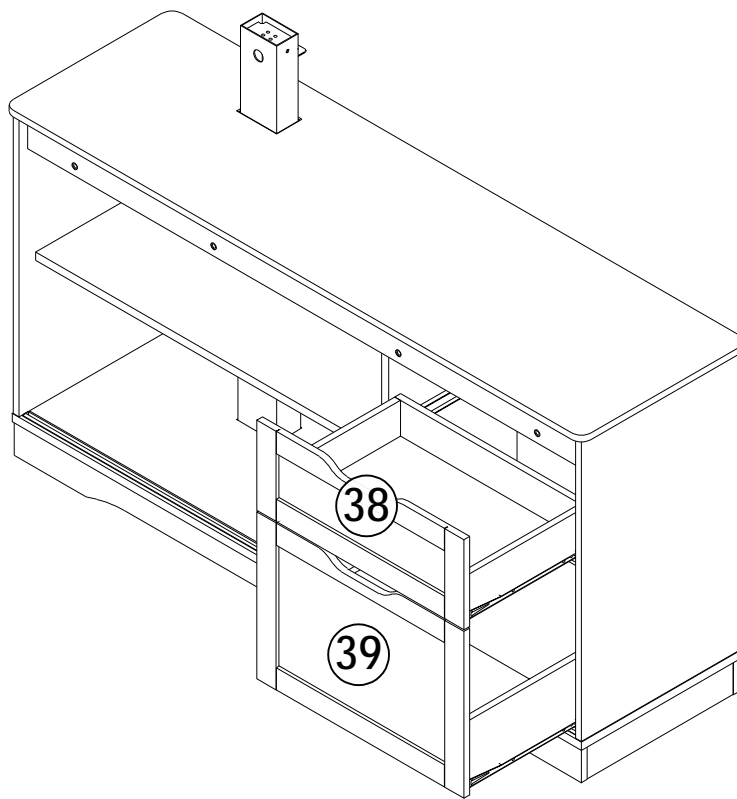
D M3.5x12



8 PCS



24



W M6x25

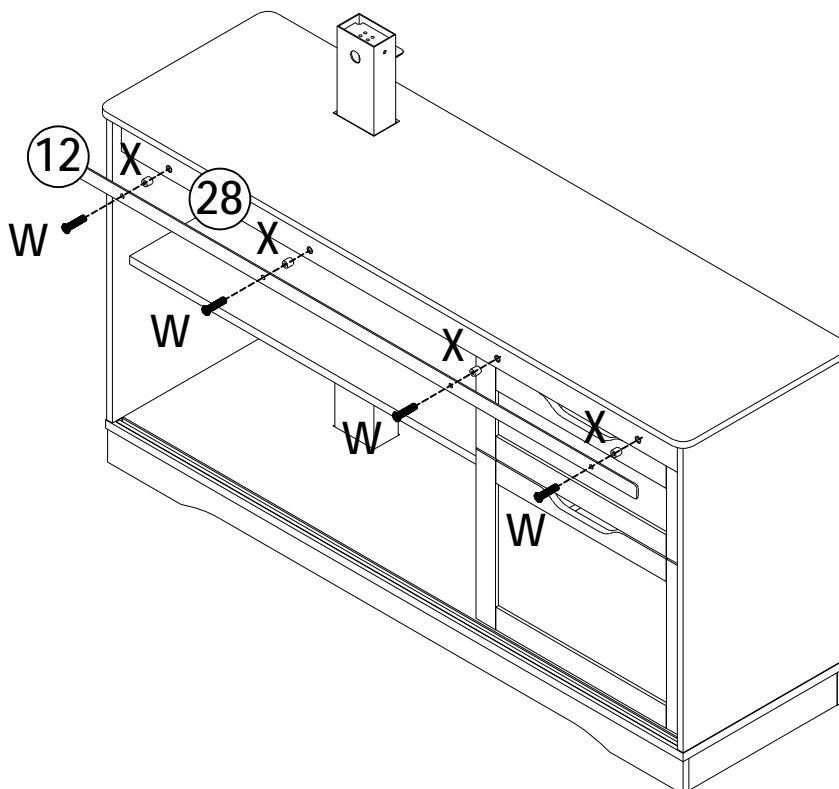


4 PCS

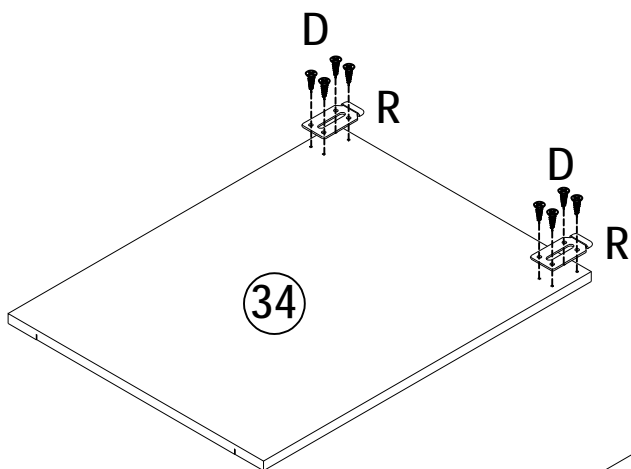
X $\varnothing 12 \times \varnothing 6 \times 12$



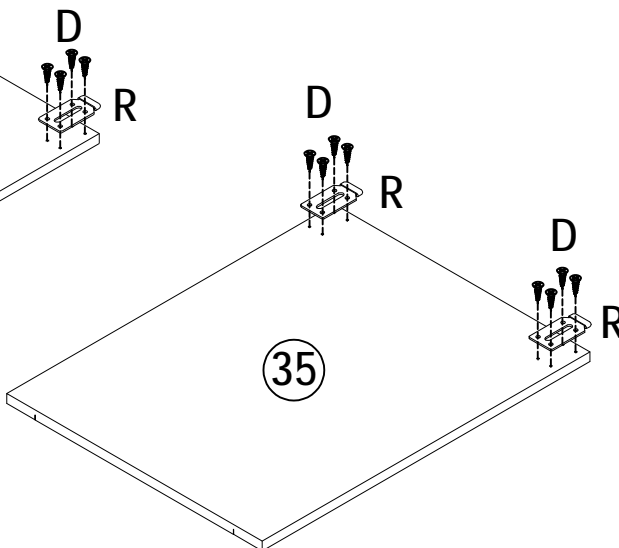
4 PCS



25



34



35

D M3.5x12

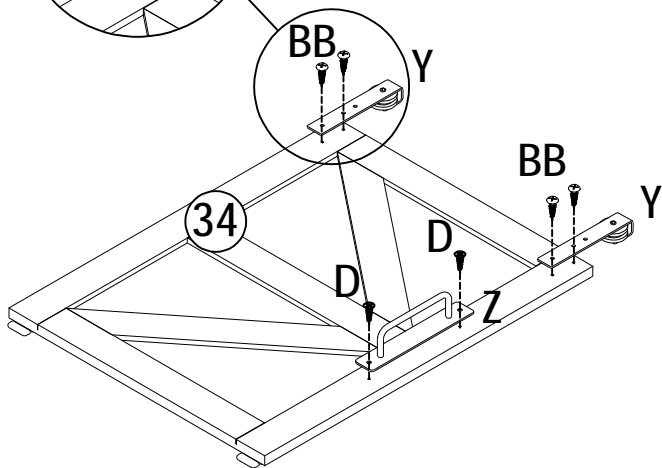
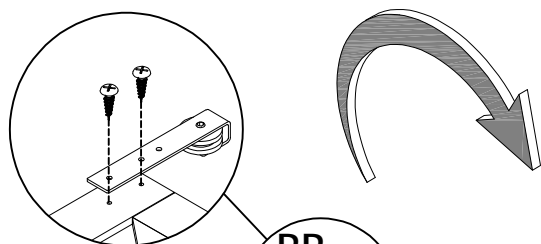


20 PCS

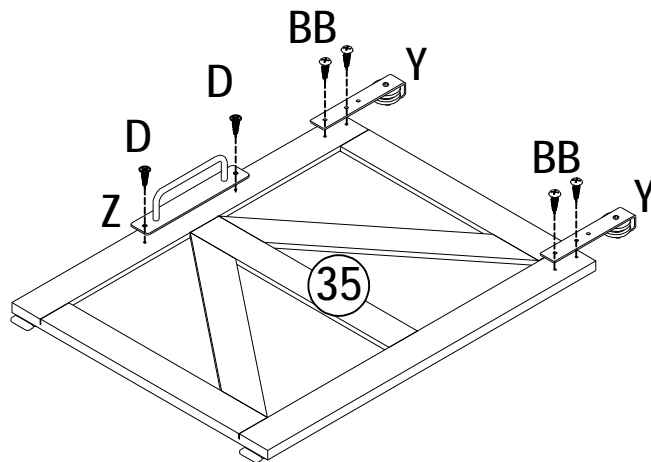
R 62x33x2



4 PCS



34



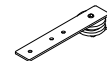
35

BB M3.5x12



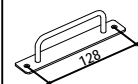
8 PCS

Y 115x20x17



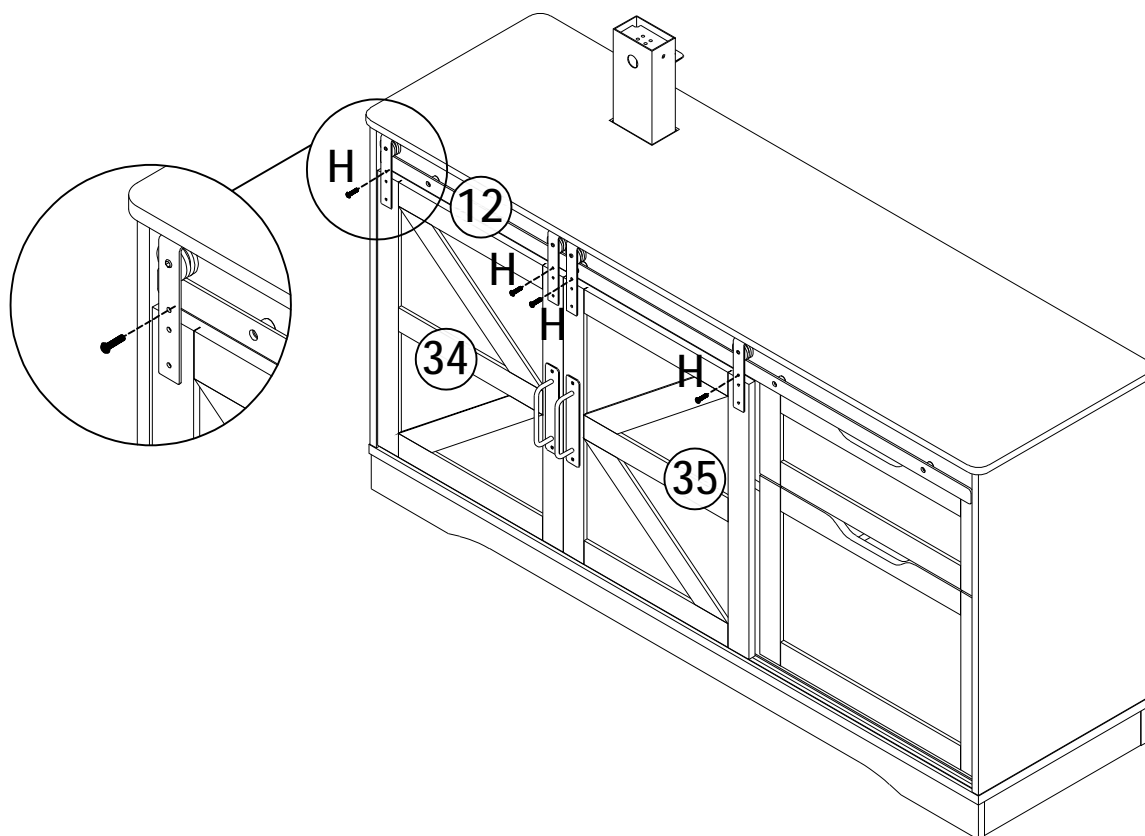
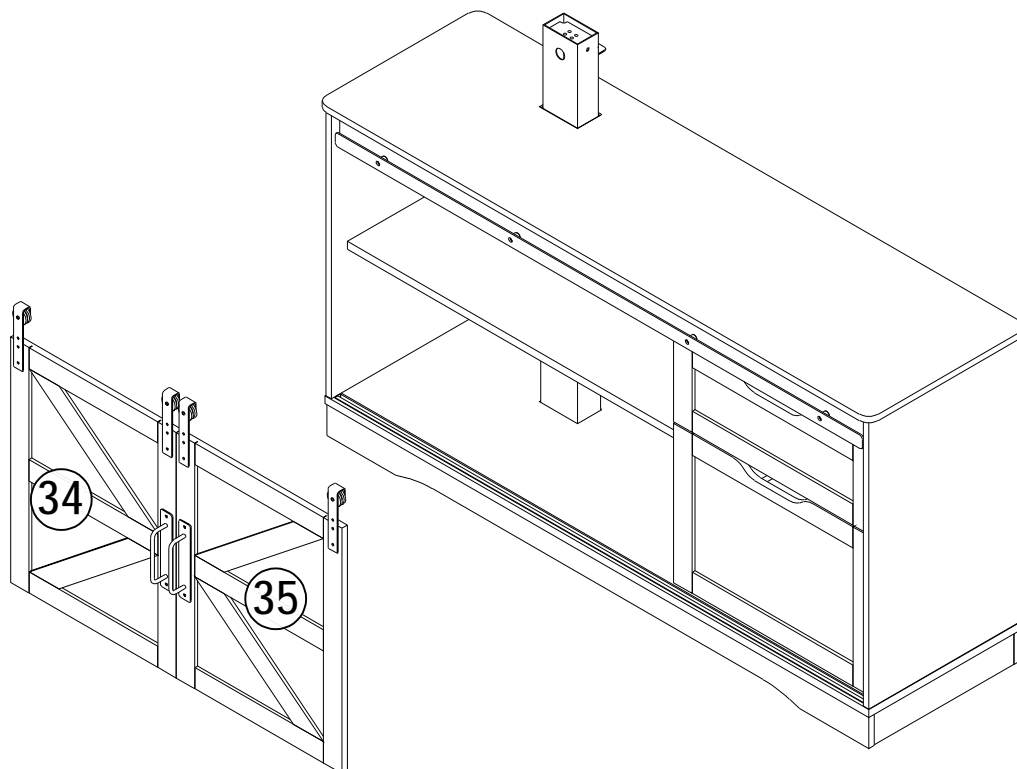
4 PCS

Z 313-128



2 PCS

26



H M4x16



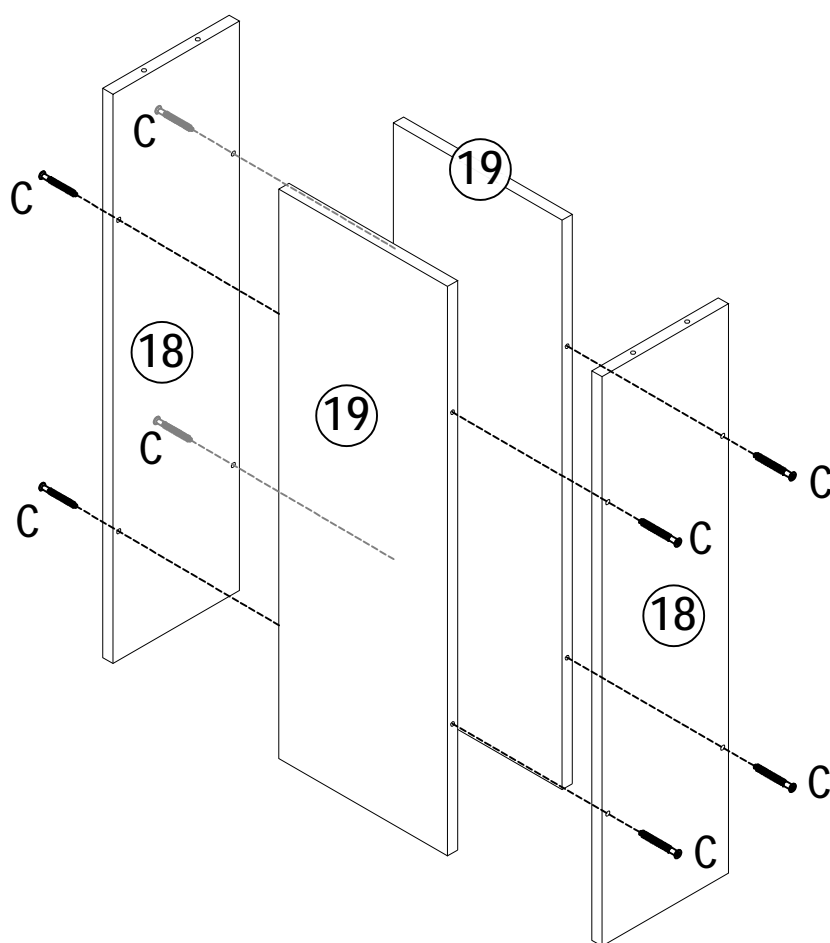
4 PCS

27

C M5x40



8 PCS

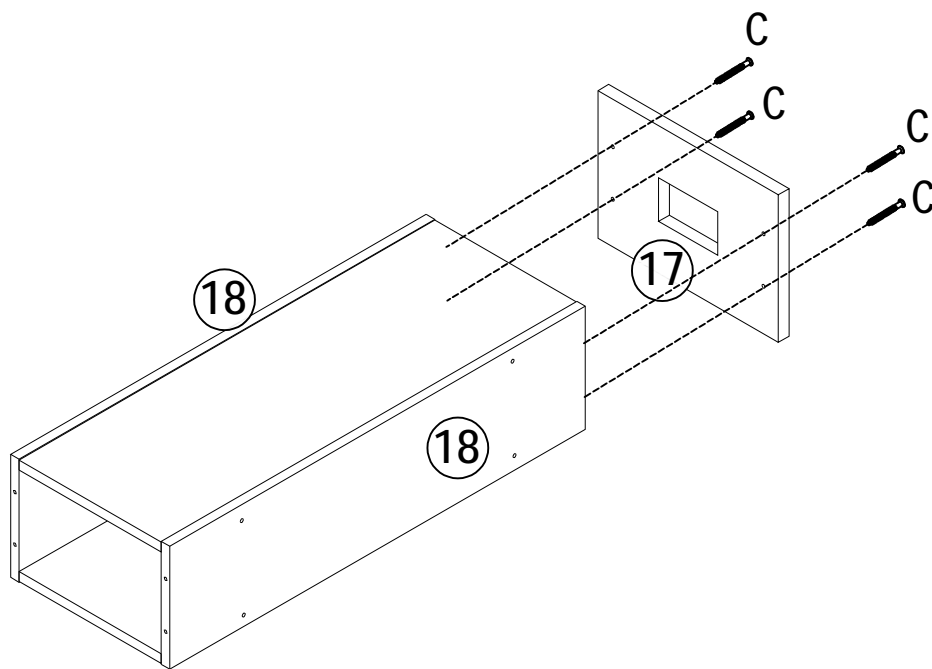


28

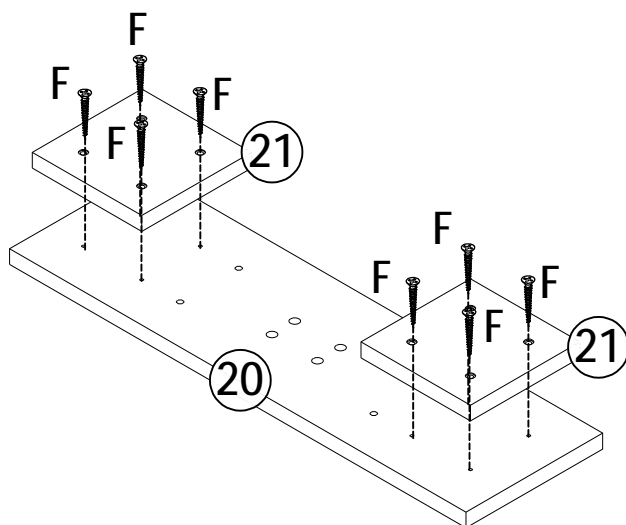
C M5x40



4 PCS



29

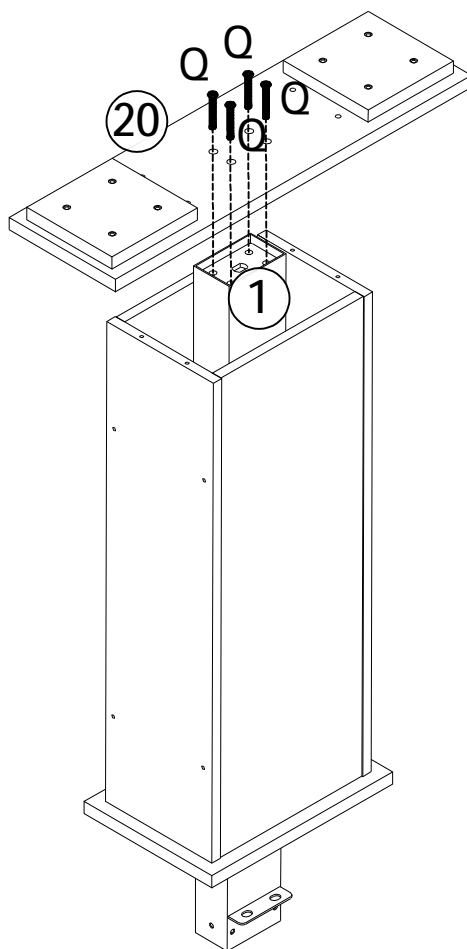


F M3.5x25

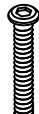


8 PCS

30



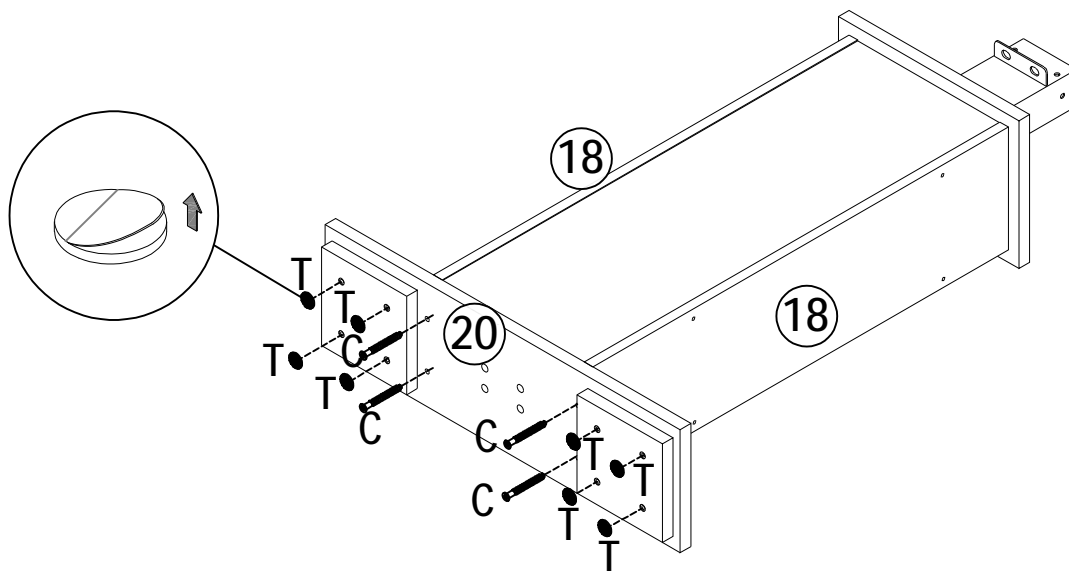
Q M8x40



4 PCS



31



C M5x40



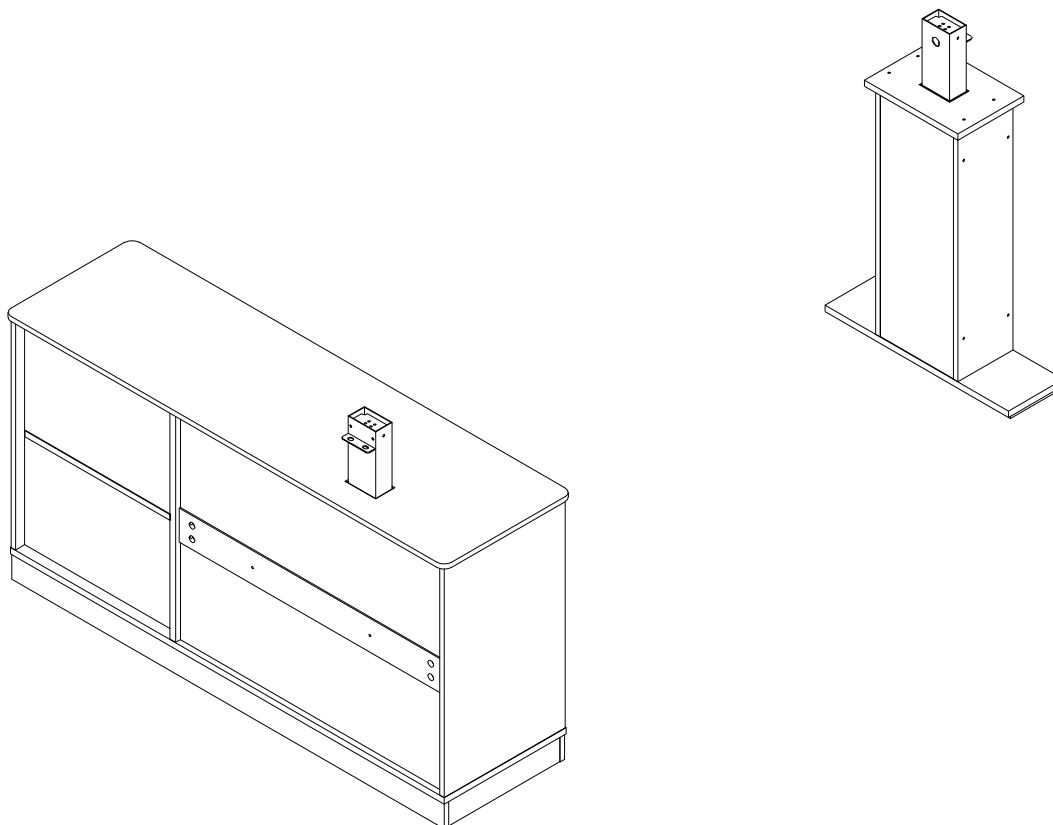
4 PCS

T Ø30x3

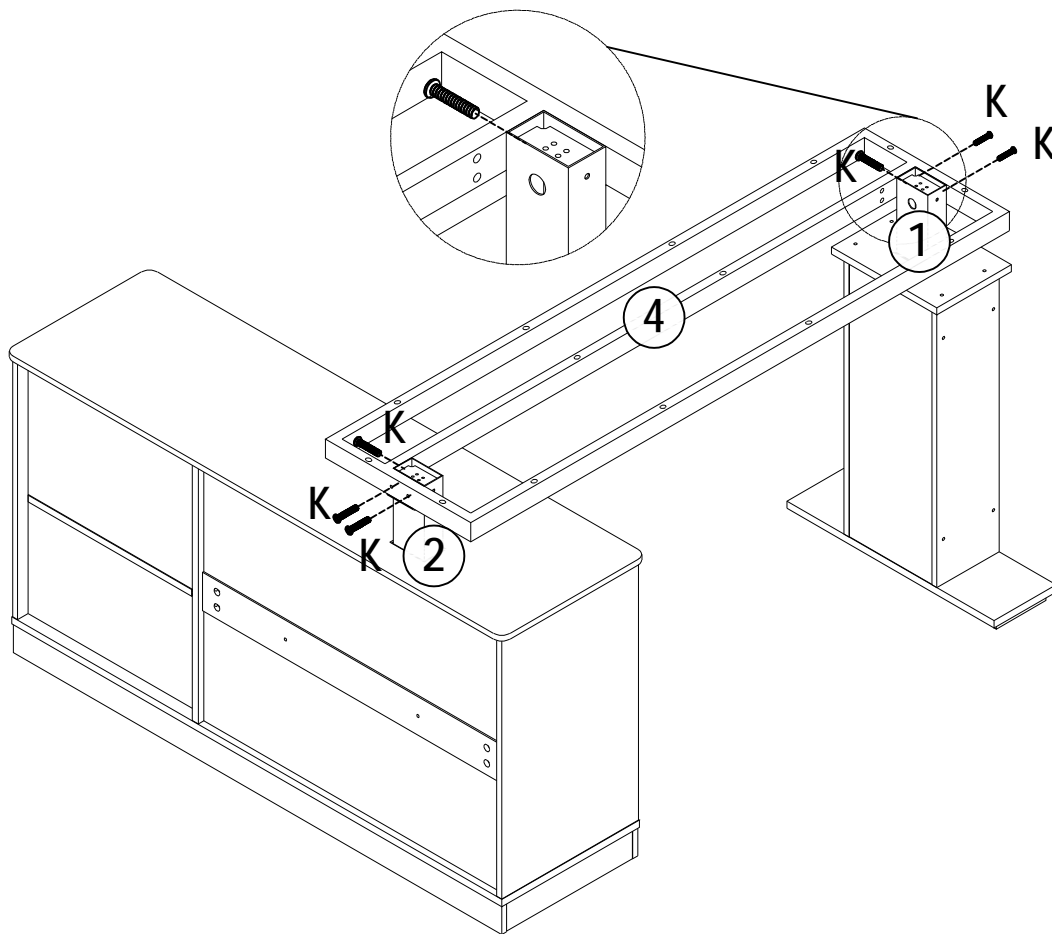


8 PCS

32



33

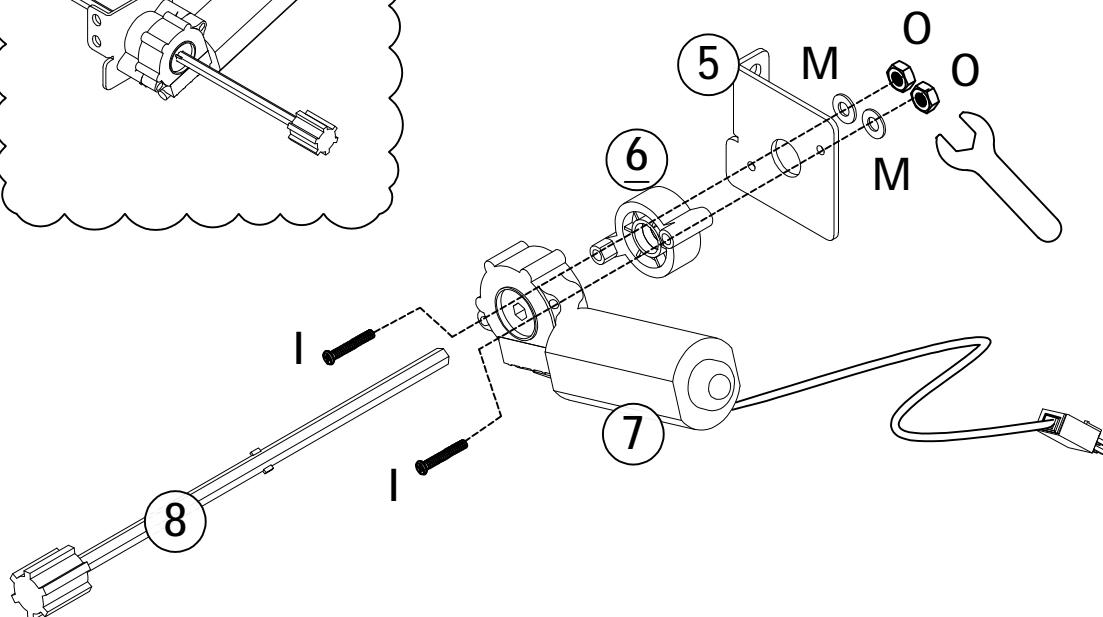
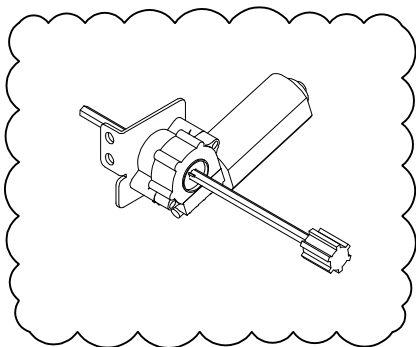


K M6x30



6 PCS

34



I M4x45



2 PCS

M 14*5*1



2 PCS

O M4



2 PCS

35

K M6x30

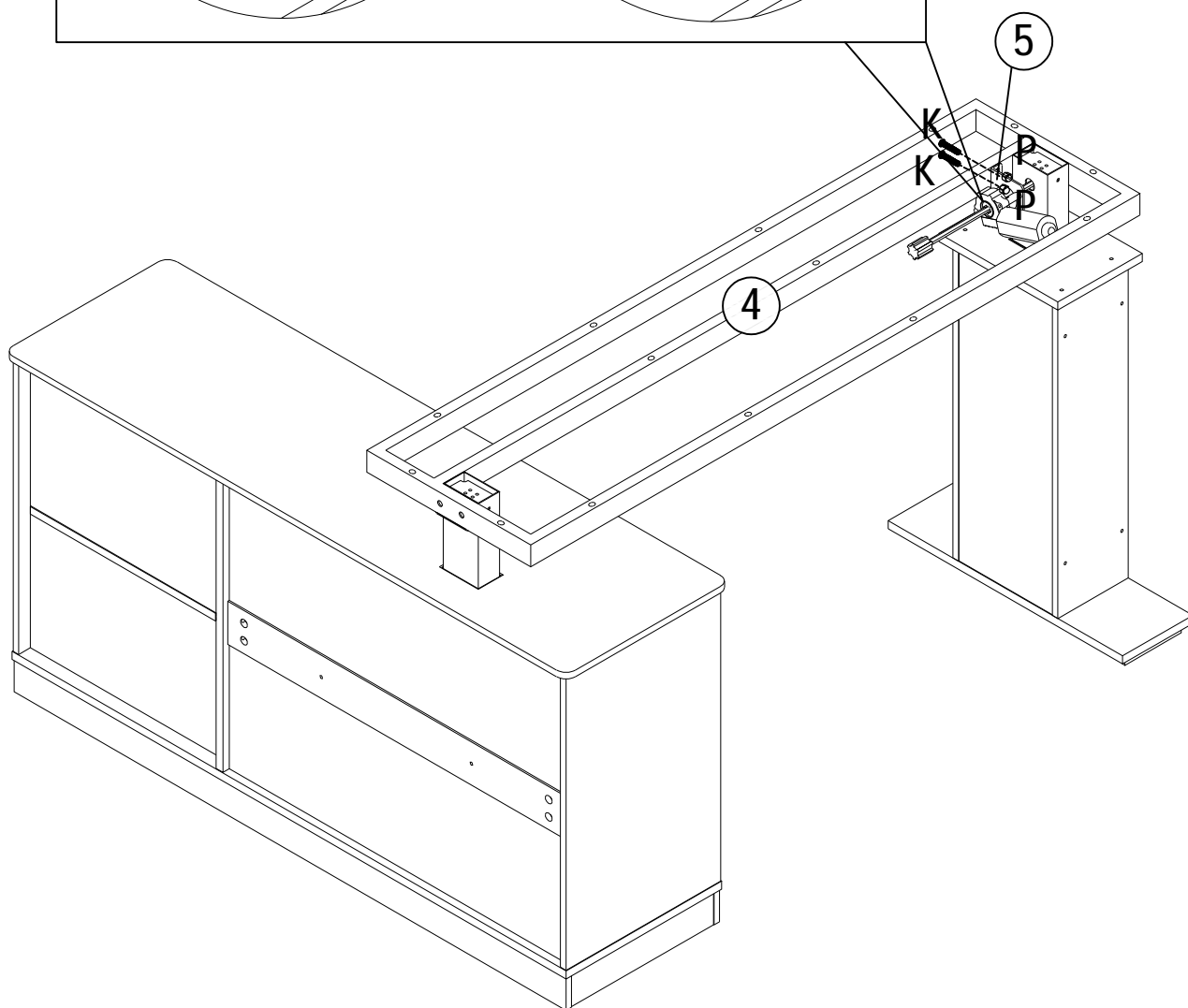
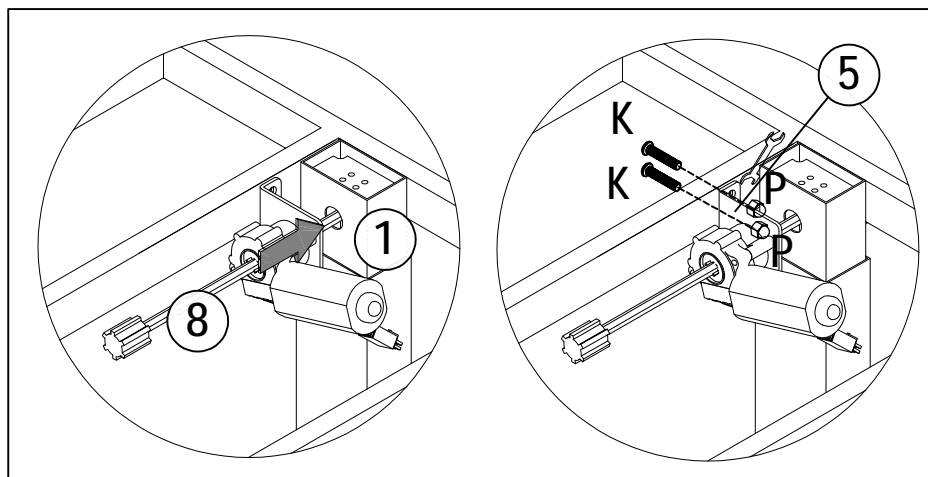


2 PCS

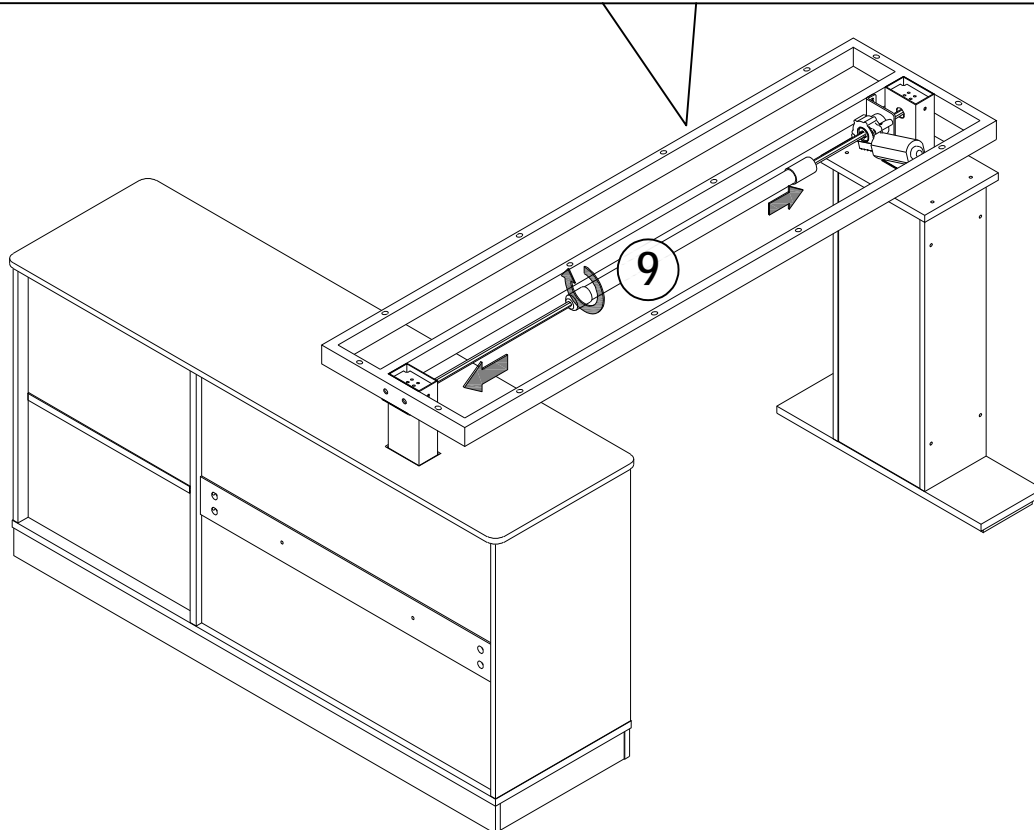
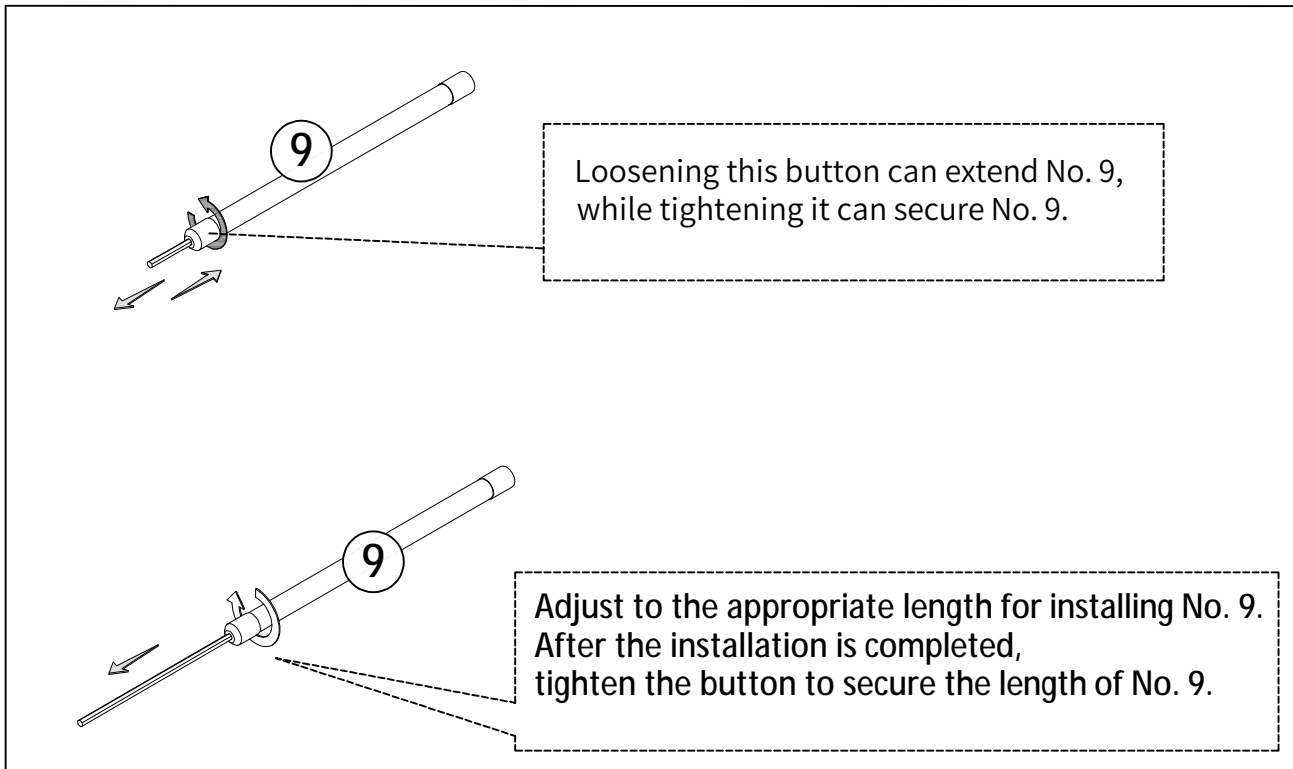
P M6xL12



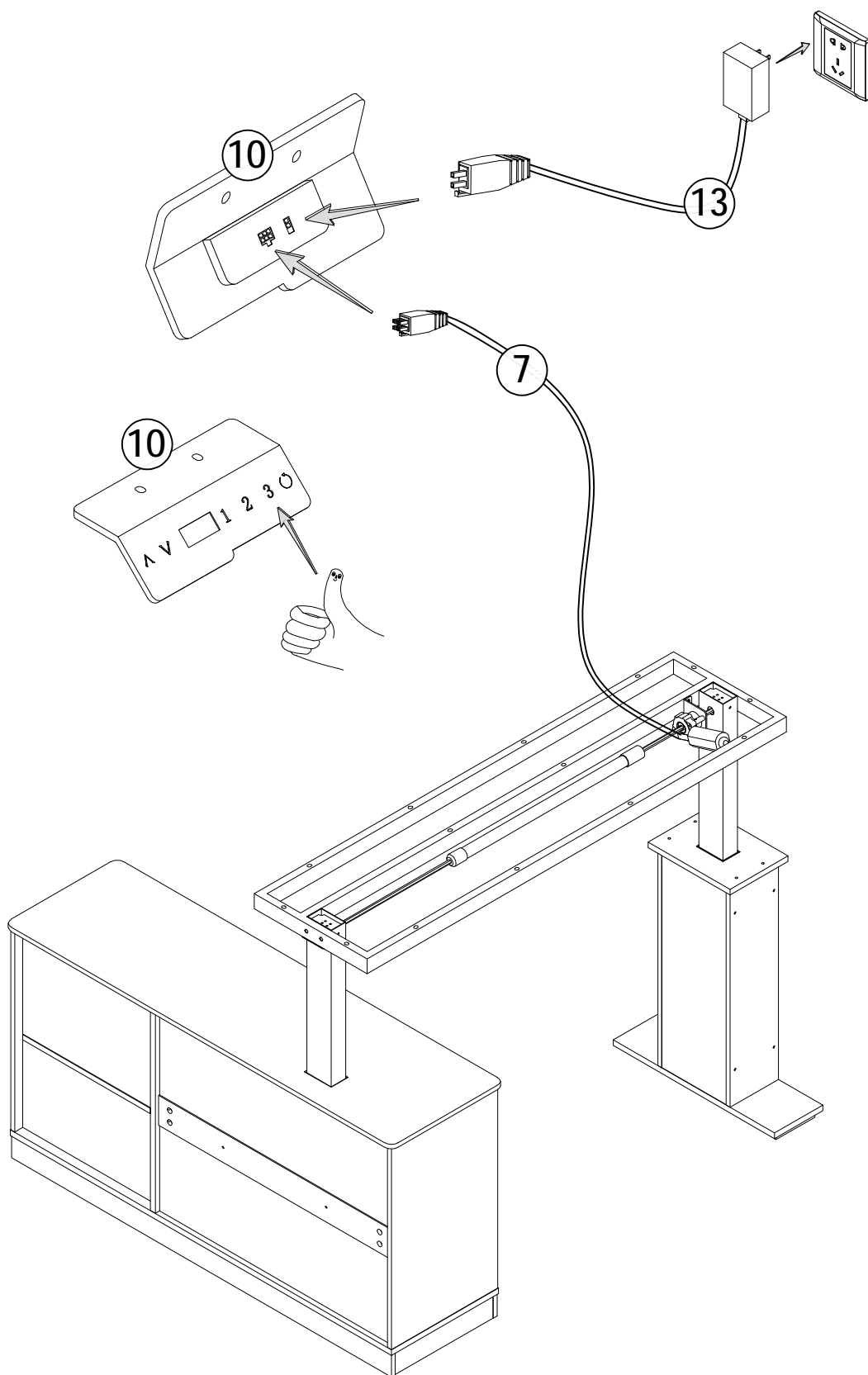
2 PCS



36



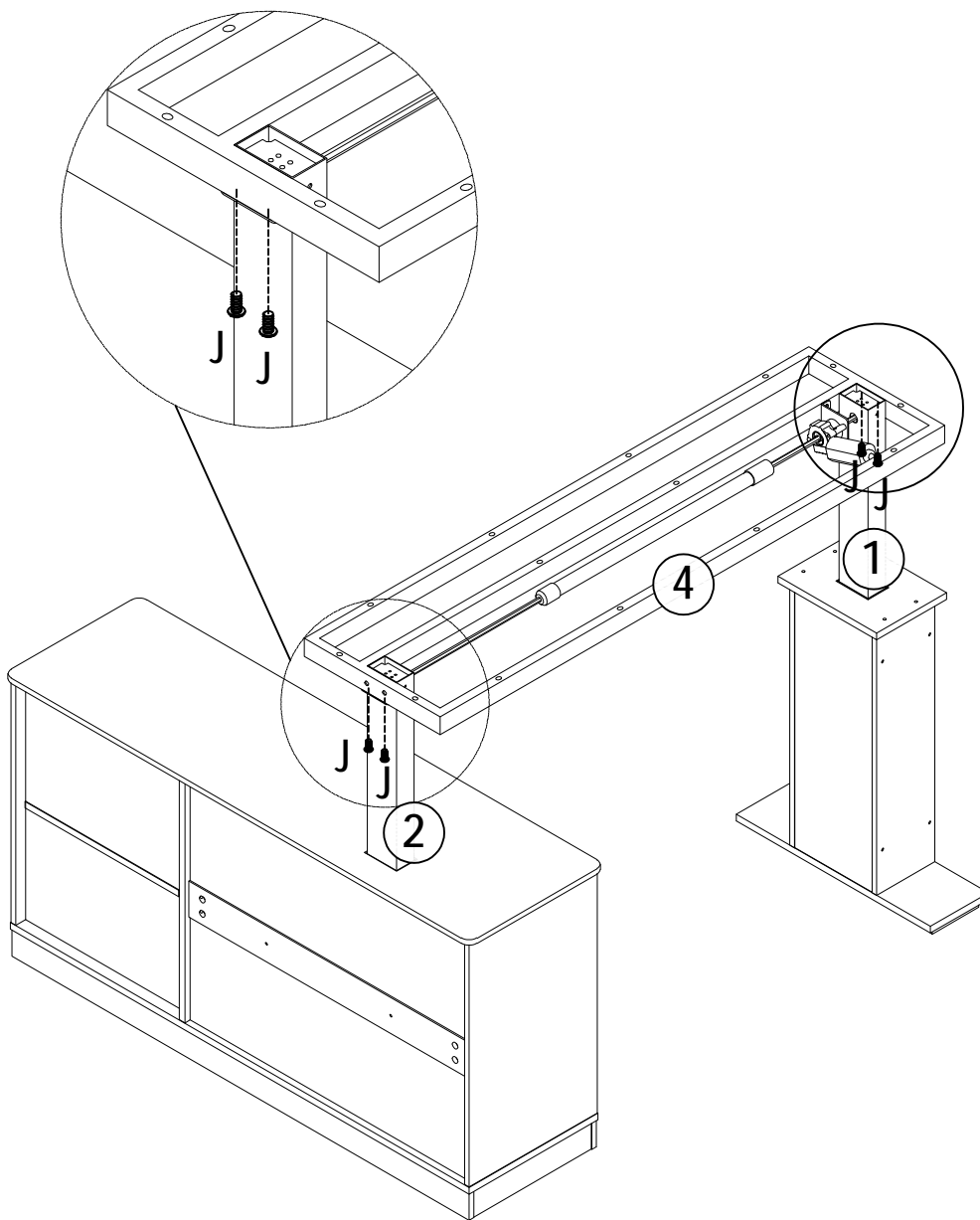
37



J M6x10



4 PCS

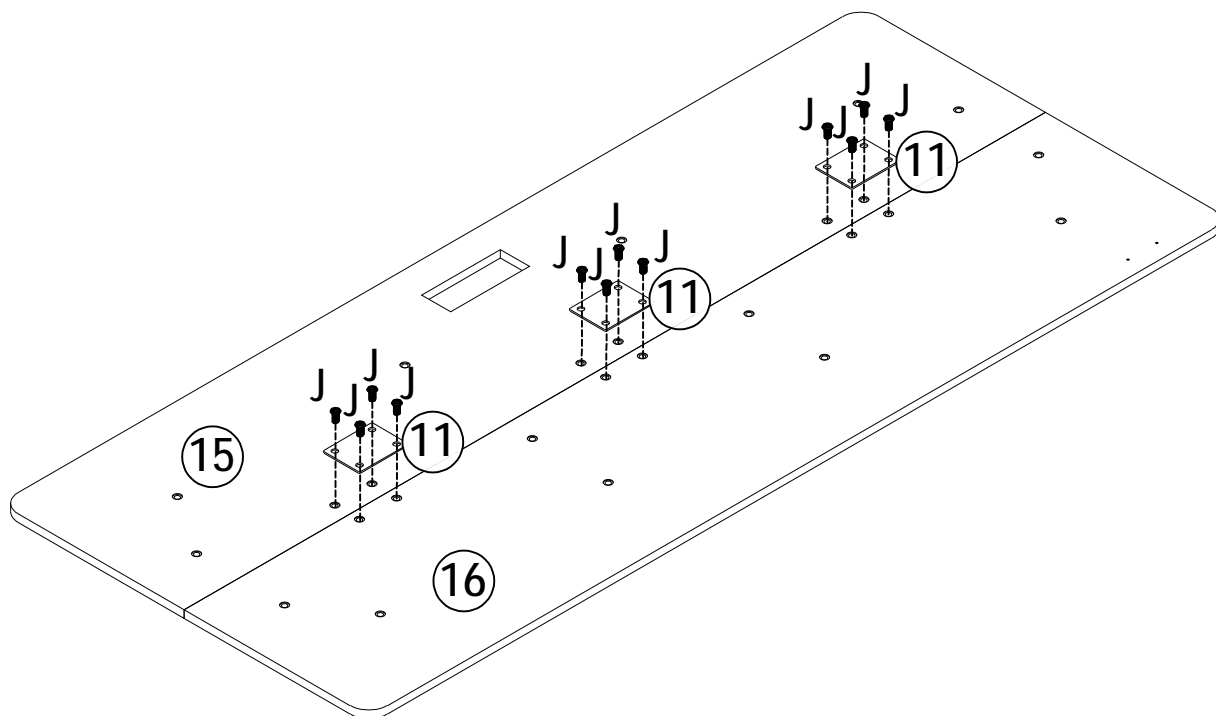


39

J M6x10



12 PCS



40

L M6x50

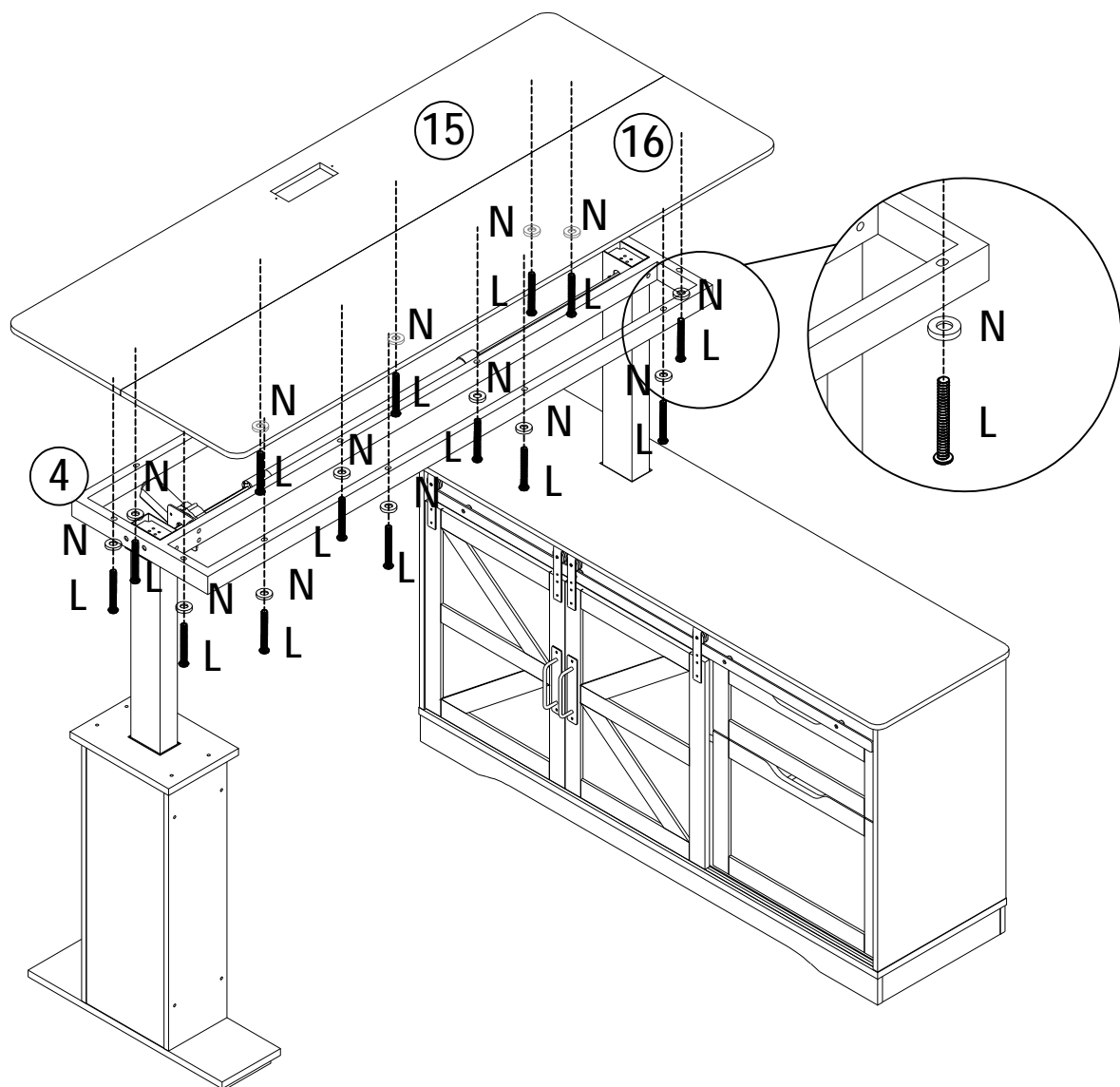


14 PCS

N 15*6*2



14 PCS



41

D M3.5x12

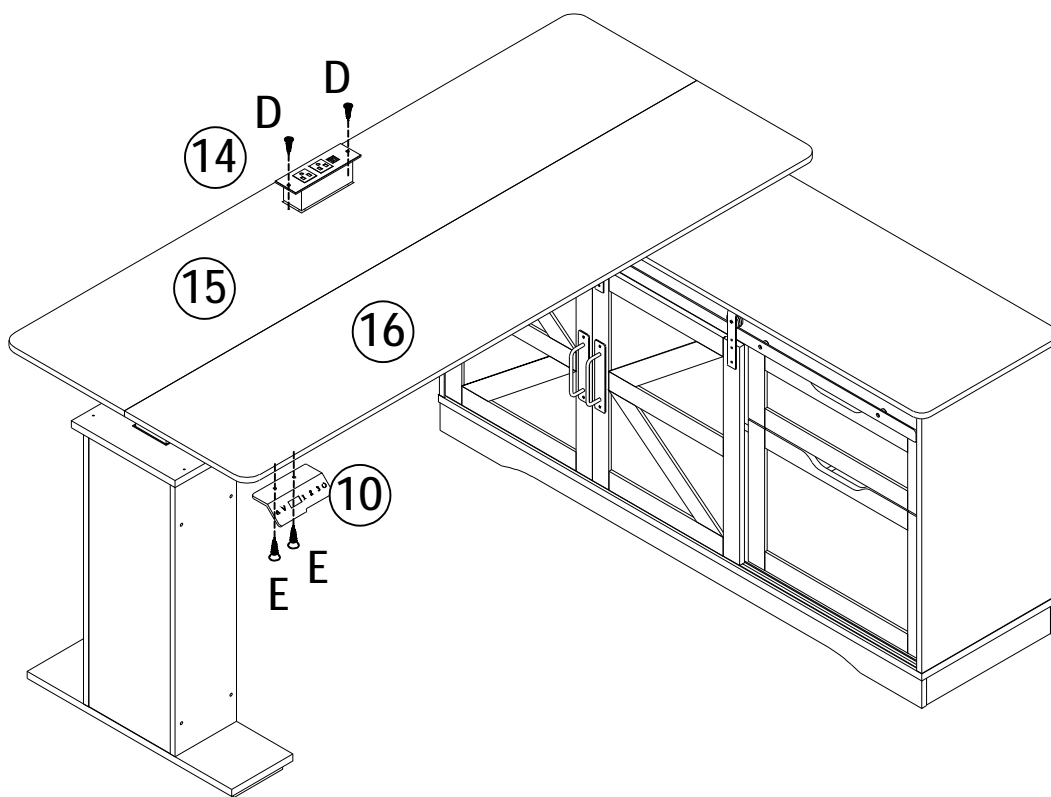


2 PCS

E M3.5x14



2 PCS



42

