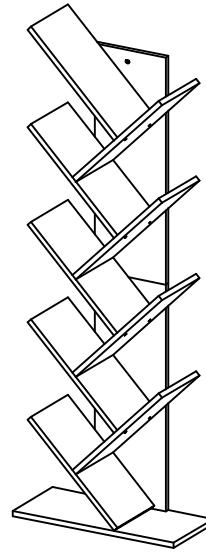



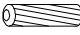




Assembly Instructions



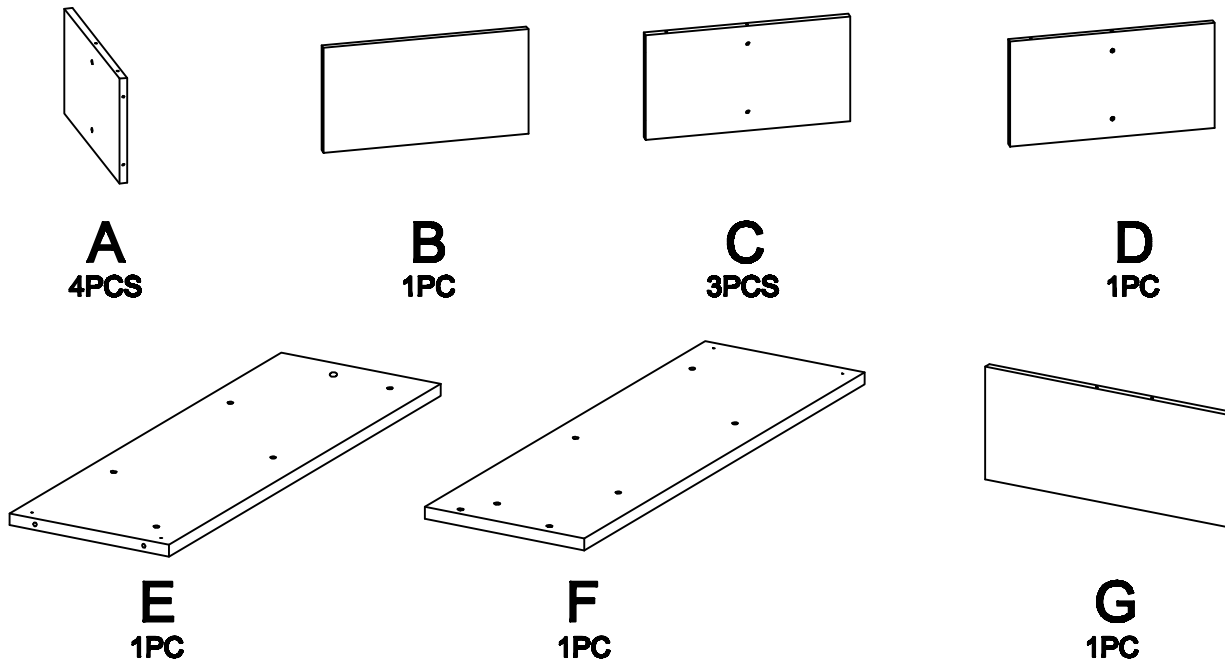
Notes:

1. Please read the assembly instructions carefully before assembling and check all the parts.
2. Please check the parts quantity.
3. Do not touch the cut surface of tube.

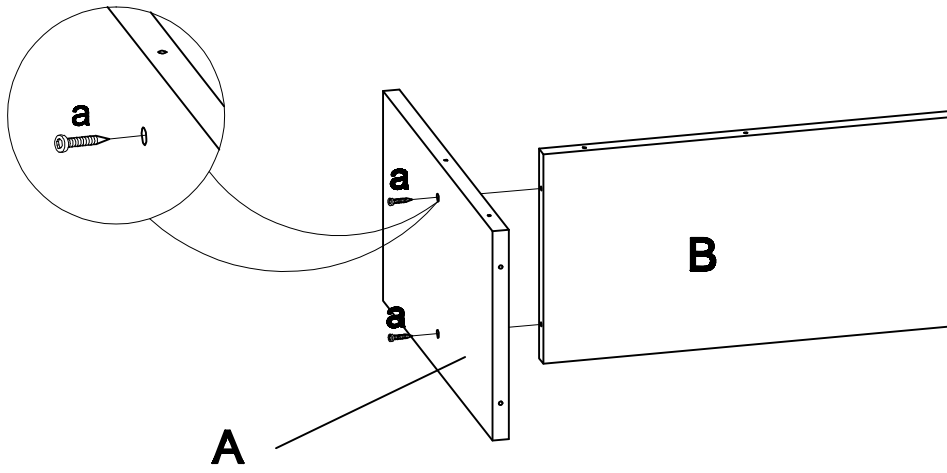
Hardware Provided

a		16PCS +3 Extra Part	b		2PCS
c		2SETS	d		12PCS +2 Extra Part
e					1PC

Parts Identification

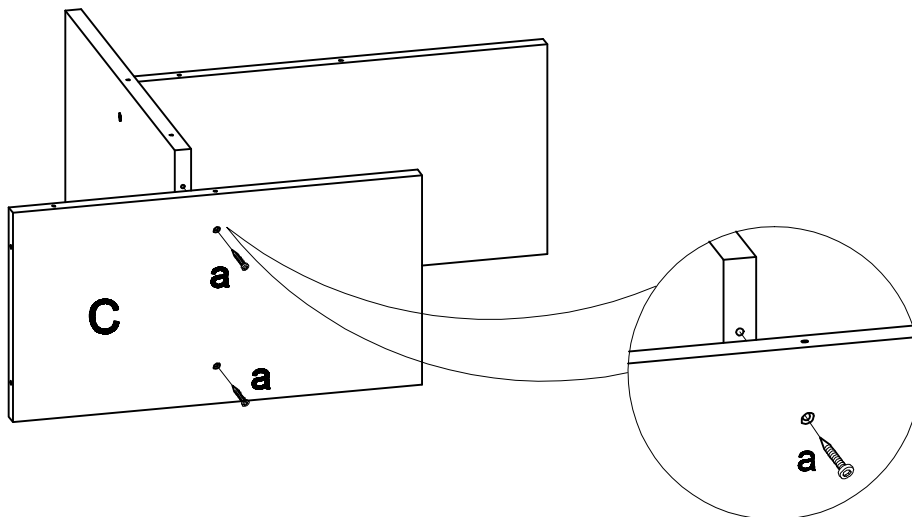


Step 1



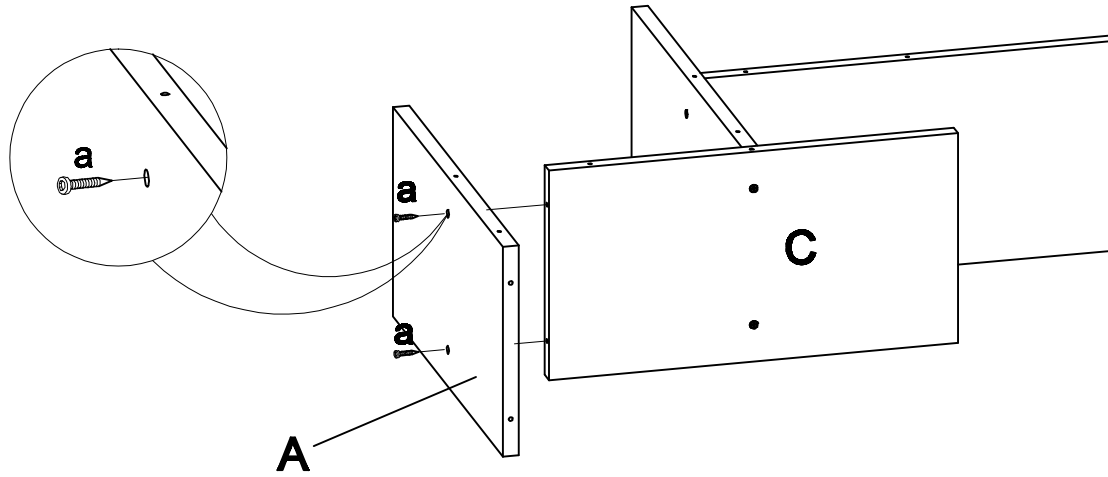
a =  X 2PCS

Step 2



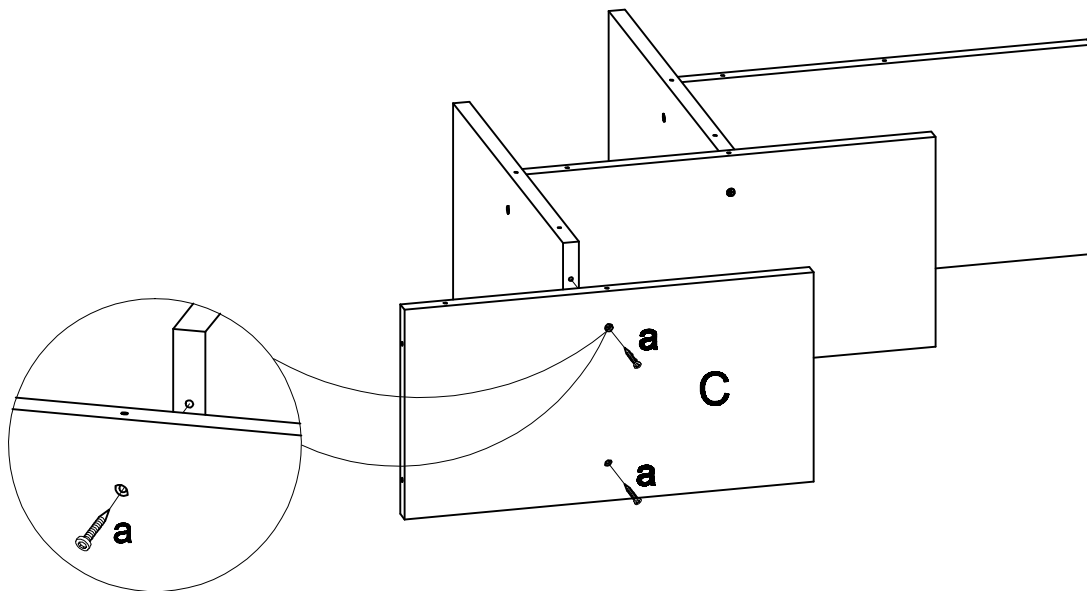
a =  X 2PCS

Step 3



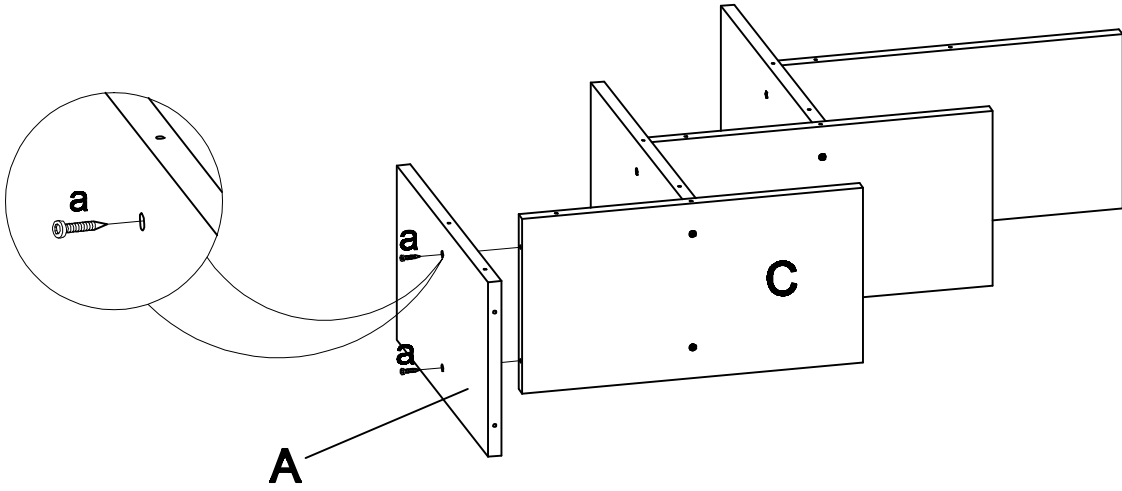
a =  X 2PCS


Step 4



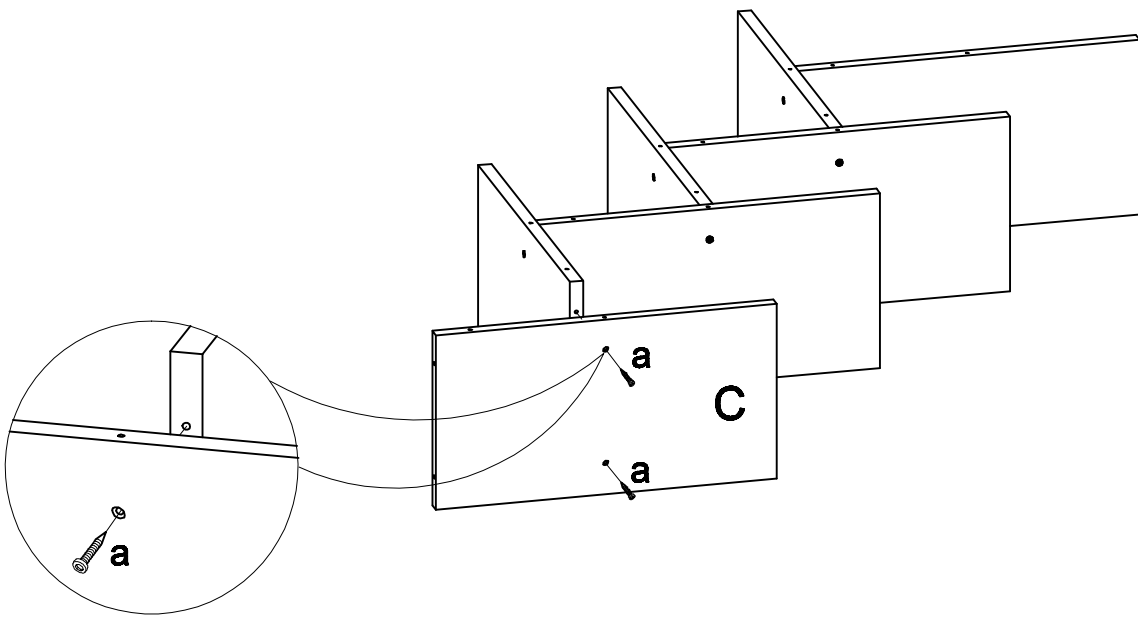
a =  X 2PCS


Step 5



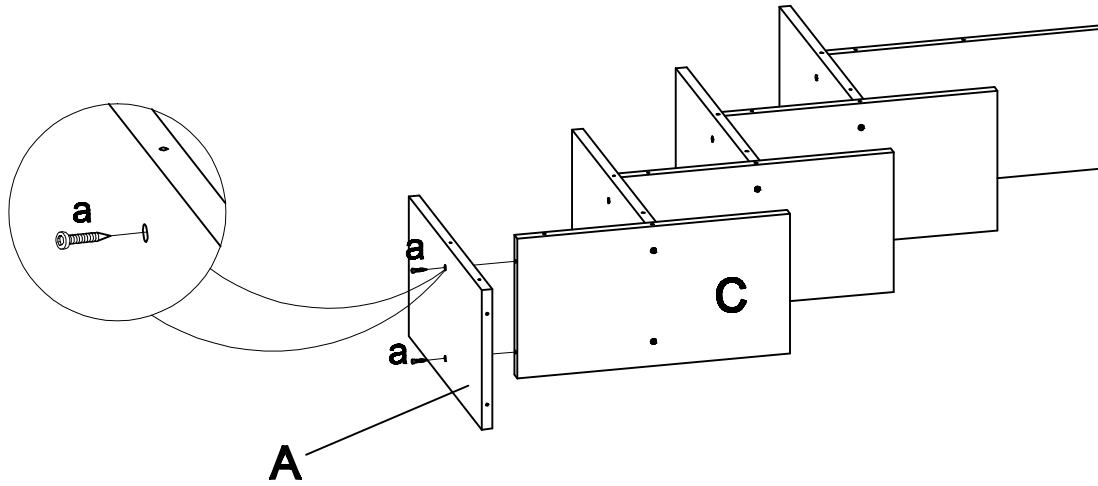
a =  X 2PCS

Step 6



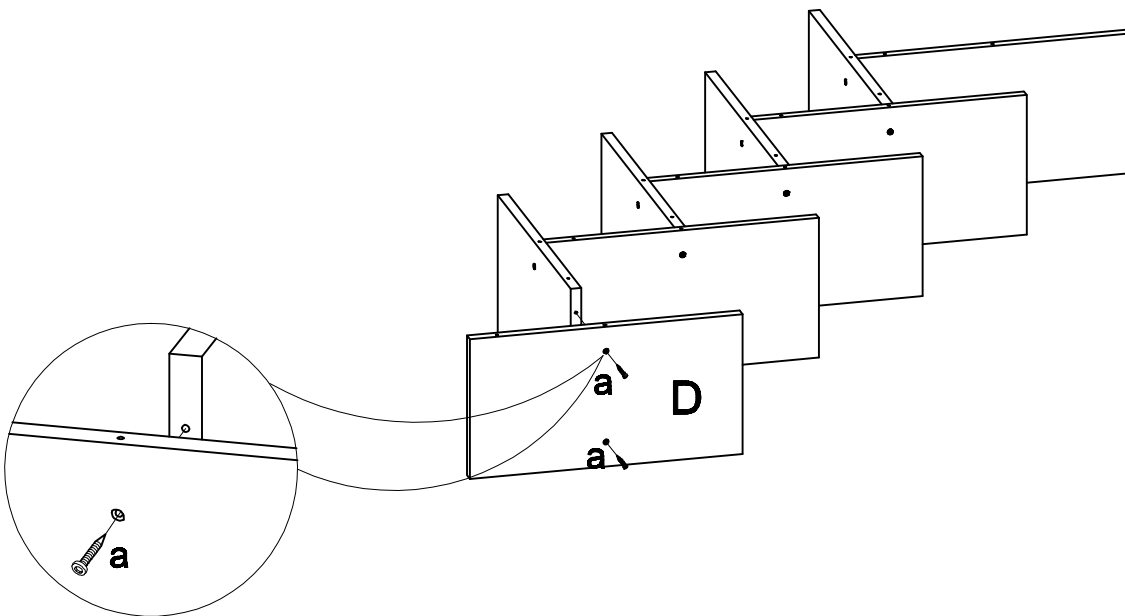
a =  X 2PCS

Step 7



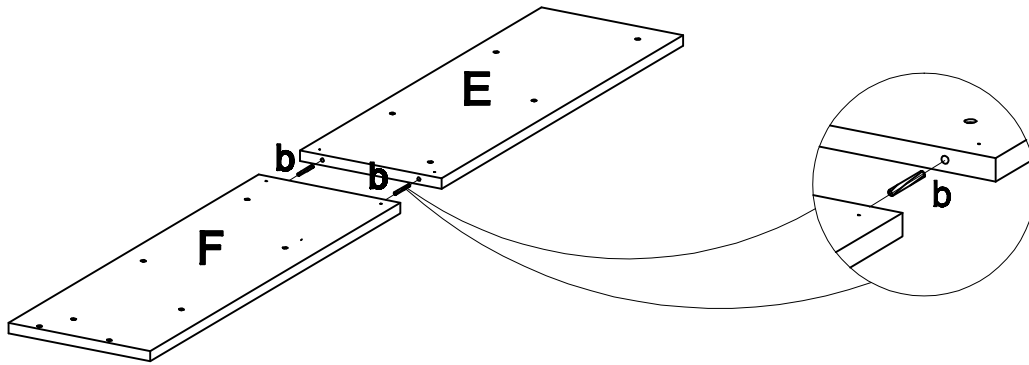
a =  X 2PCS

Step 8



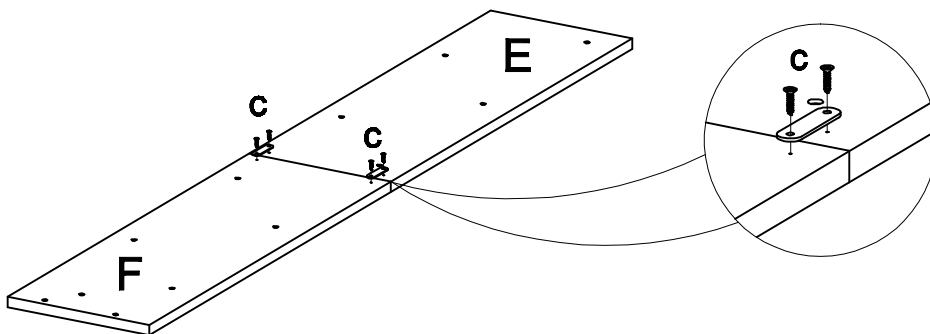
a =  X 2PCS

Step 9



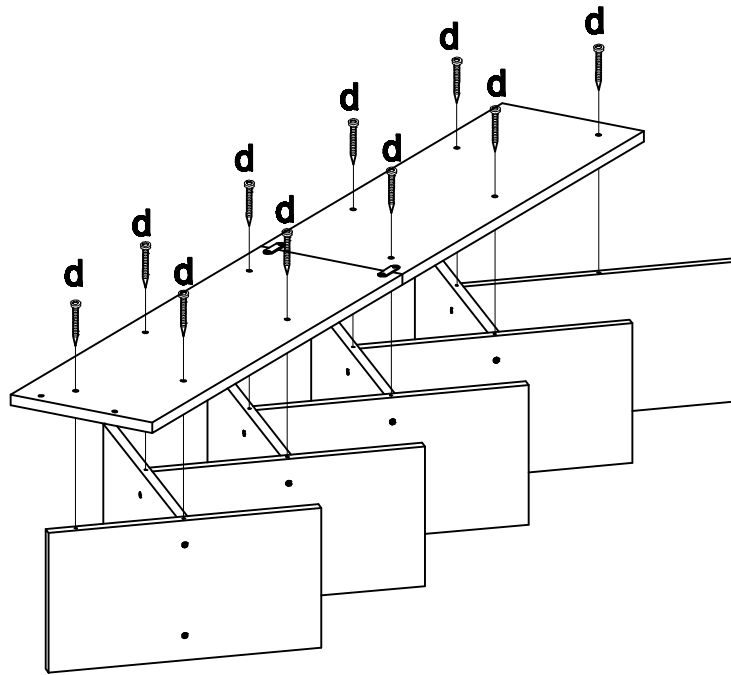
b =  **X 2PCS**

Step 10



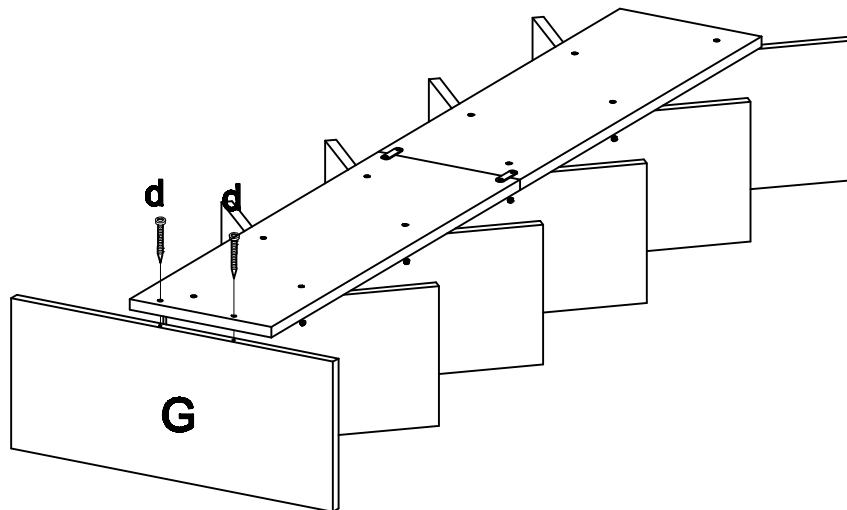
C =   **X 2SETS**

Step 11



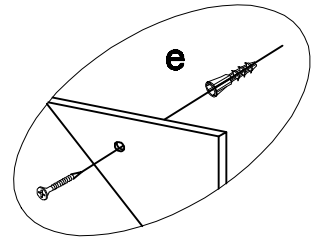
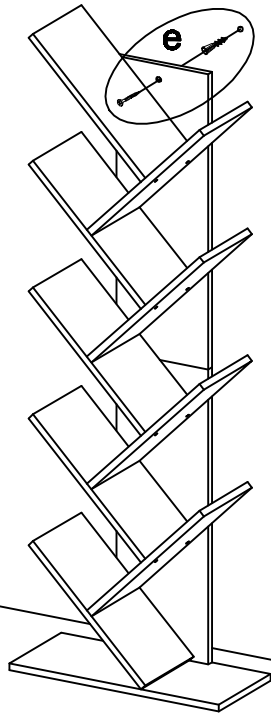
d =  X 10PCS


Step 12



d =  X 2PCS

Step 13



e =  X 1SET

Step 14

