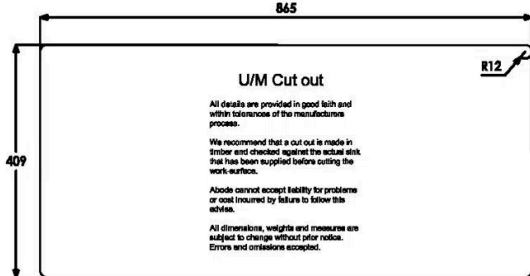
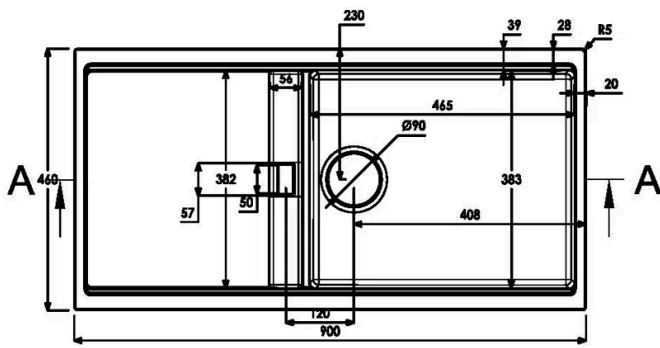
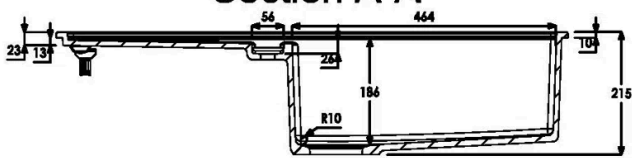


Section A-A



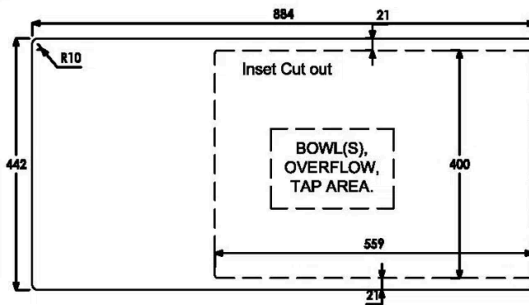
U/M Cut out

All details are provided in good faith and within tolerance of the manufacturer's process.

We recommend that a cut out is made in stone and checked against the actual sink that has been supplied before cutting the work surface.

Abode cannot accept liability for problems or cost incurred by failure to follow this advice.

All dimensions, weights and measures are subject to change without prior notice. Errors and omissions accepted.



**BOWL(S),
OVERFLOW,
TAP AREA.**