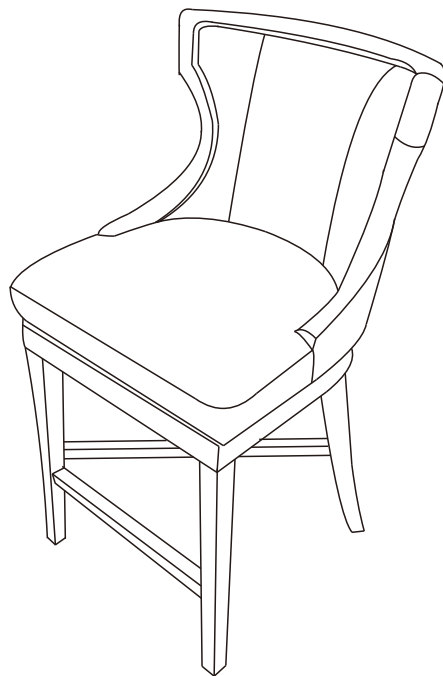


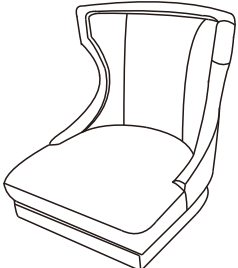
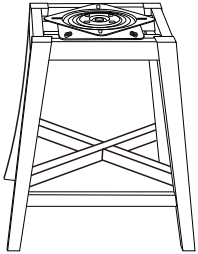

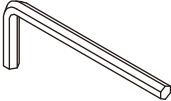
Assembly Manual

Counter & Bar Height Swivel Stool



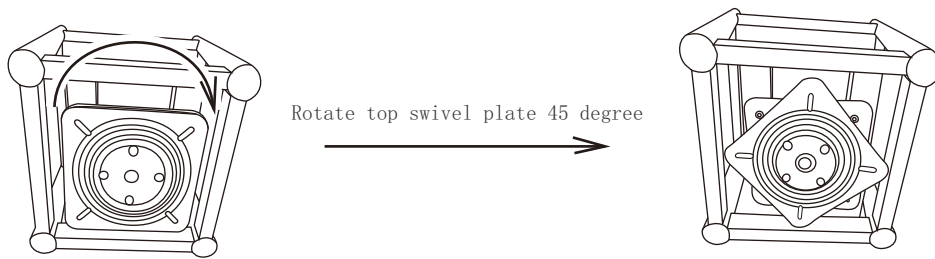
CAUTION

THIS ASSEMBLY MANUAL CONTAINS IMPORTANT SAFETY INFORMATION.
PLEASE READ AND KEEP FOR FUTURE REFERENCE.

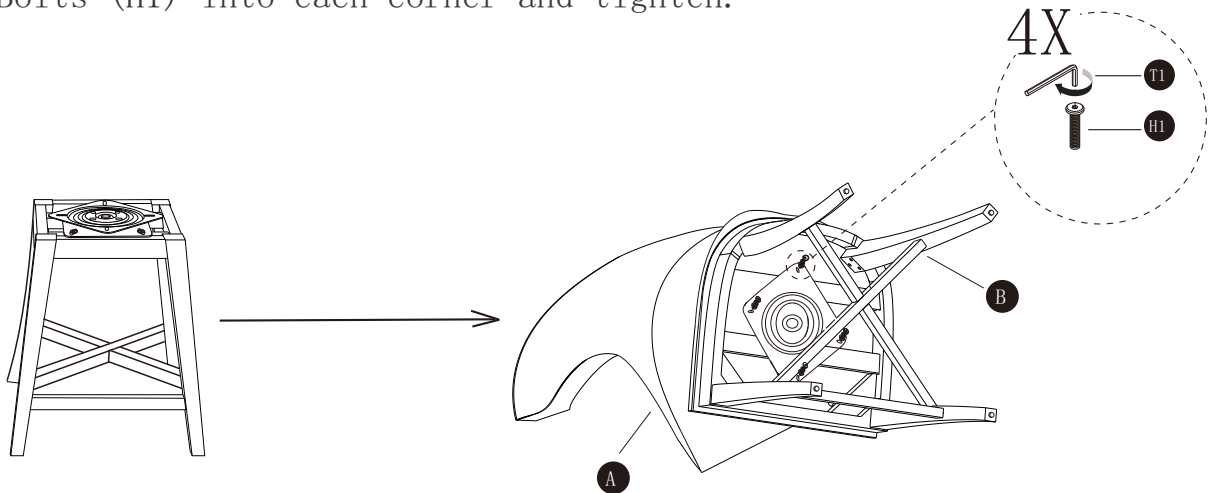
Ax1 	Bx1 	H1x4 	T1x1 
--	--	---	---

ASSEMBLY INSTRUCTIONS

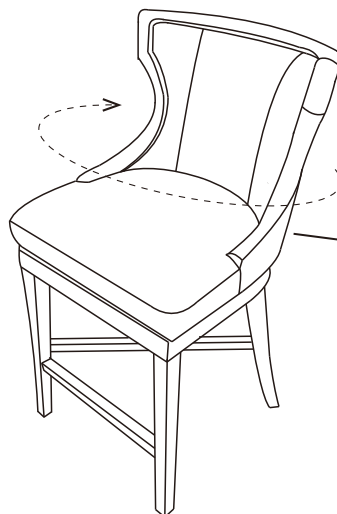
- 1** Flip over the stool seat bucket.
- 2** Slightly rotate the top swivel plate approximately 45 degrees.



- 3** Place the swivel stool base on the stool seat bucket bottom and insert long Bolts (H1) into each corner and tighten.



- 4** Assembly complete. Enjoy.



CAUTION: PINCH POINT.

Please keep hands clear during swivel.