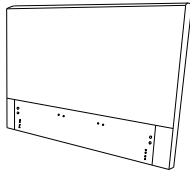


# UPHOLSTERED STORAGE BED C.KING/E.KING ASSEMBLY INSTRUCTIONS

## BOX#1

A. HEADBOARD

1 PC

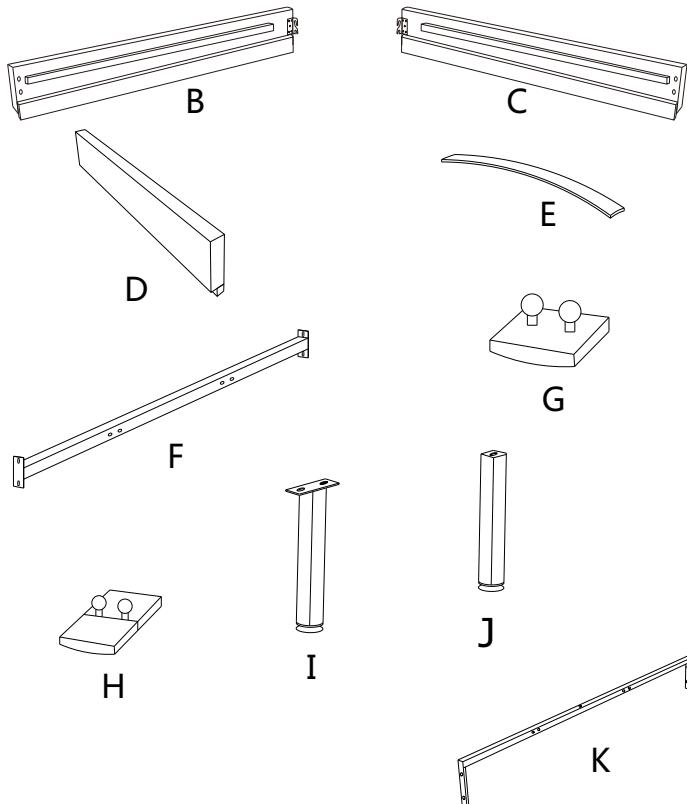


## HARDWARE KIT PACKED IN BOX #1

1	ALLEN BOLT(1/4"x1")		8 PCS
2	FLAT WASHER(5/16")		8 PCS
3	LOCK WASHER(5/16")		8 PCS
4	ALLEN KEY(1/4")		1 PC

## BOX#2

- B. LEFT SIDE RAIL 1 PC
- C. RIGHT SIDE RAIL 1 PC
- D. FOOTBOARD 1 PC
- E. SLAT 39 PCS
- F. CENTER SLAT SUPPORT 2 PCS
- G. SIDE RAIL SLAT CLIP 26 PCS
- H. CENTER SUPPORT SLAT CLIP 26 PCS
- I. SLAT SUPPORT LEG 4 PCS
- J. METAL SUPPORT LEG 1 PC
- K. METAL SUPPORT BRACE 1 PC



## HARDWARE KIT PACKED IN BOX #2

1	ALLEN BOLT(5/16"x1")		8 PCS
2	ALLEN BOLT(5/16"x2-1/2")		13 PCS
3	FLAT WASHER(5/16")		33 PCS
4	LOCK WASHER(5/16")		21 PCS
5	WRENCH(5/16")		1 PC
6	ALLEN KEY(5/16")		1 PC
7	HEX NUT(5/16"x12)		12 PCS

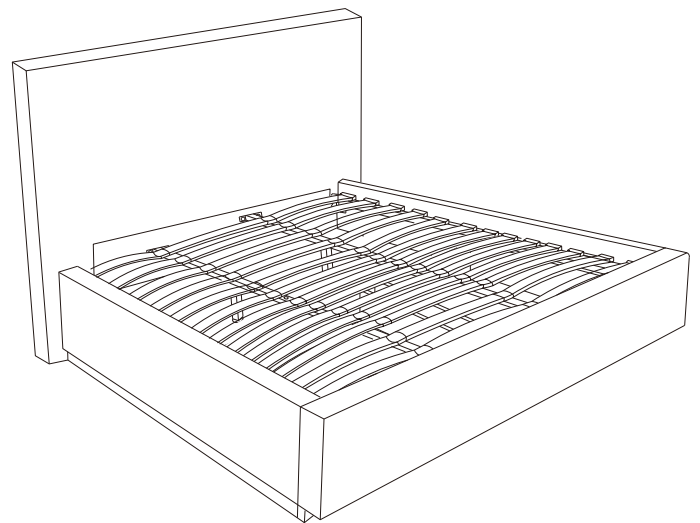
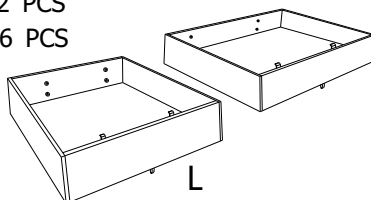
## HARDWARE KIT PACKED IN BOX #3

1	ALLEN BOLT(1/4"x1-1/4")		8 PCS
2	ALLEN BOLT(1/4"x5/8")		12 PCS
3	FLAT WASHER(1/4")		8 PCS
4	LOCK WASHER(1/4")		8 PCS
5	ALLEN KEY(1/4")		1 PC

## BOX#3

L. DRAWER BOX  
M. CASTERS

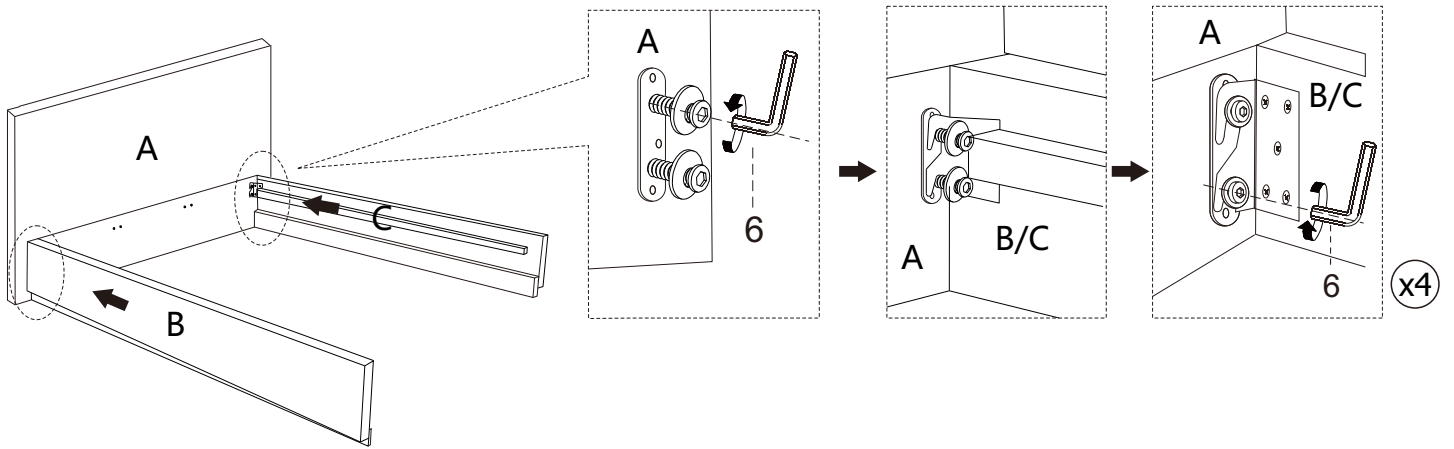
2 PCS  
6 PCS



UPDATED: JUNE 1ST, 2023

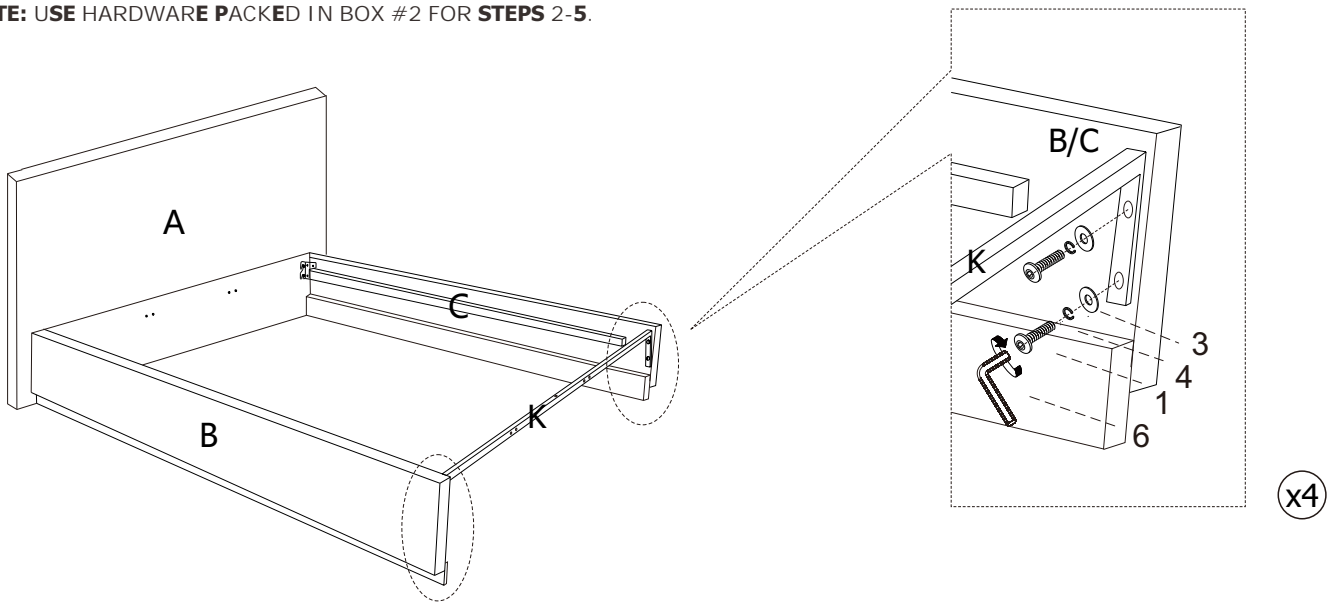
# UPHOLSTERED STORAGE BED C.KING/E.KING ASSEMBLY INSTRUCTIONS

## STEP 1:

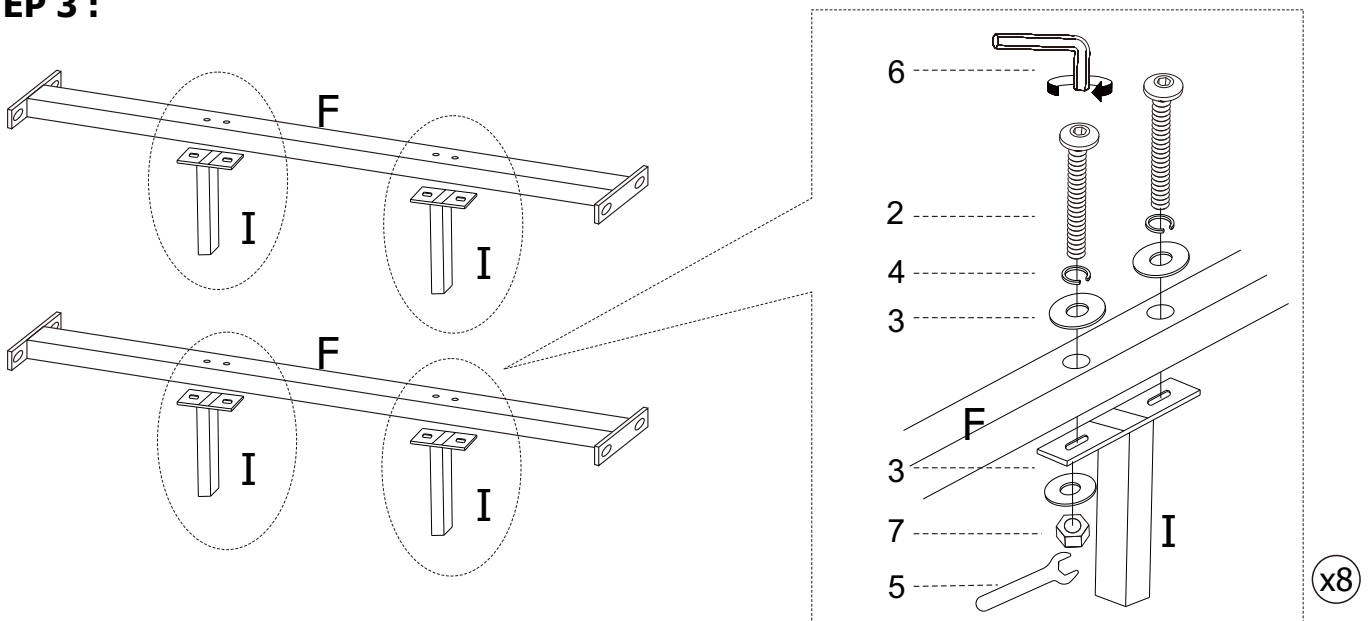


## STEP 2:

NOTE: USE HARDWARE PACKED IN BOX #2 FOR STEPS 2-5.



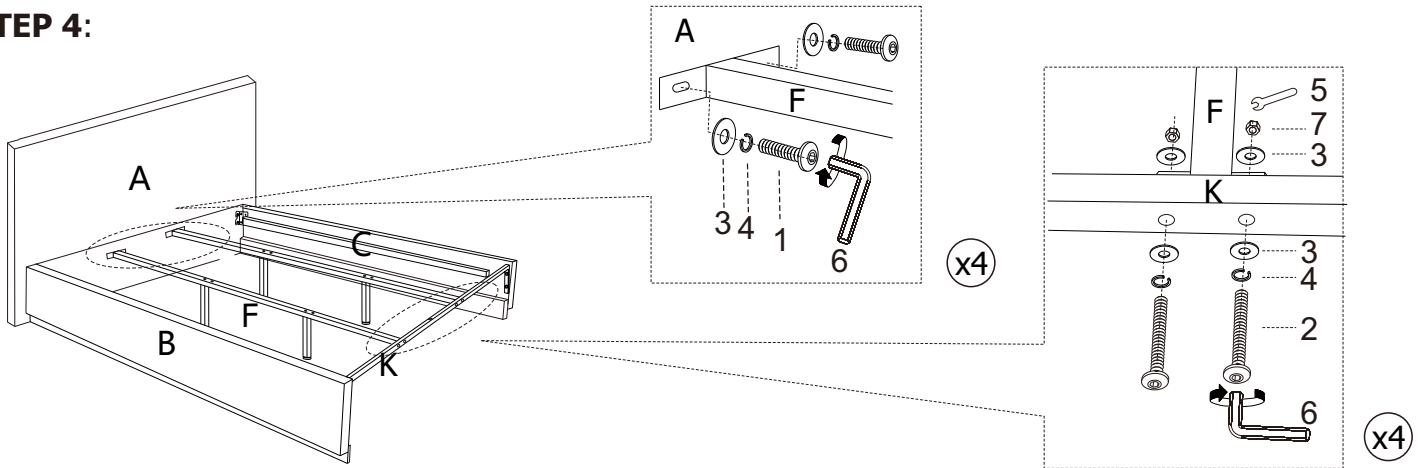
## STEP 3:



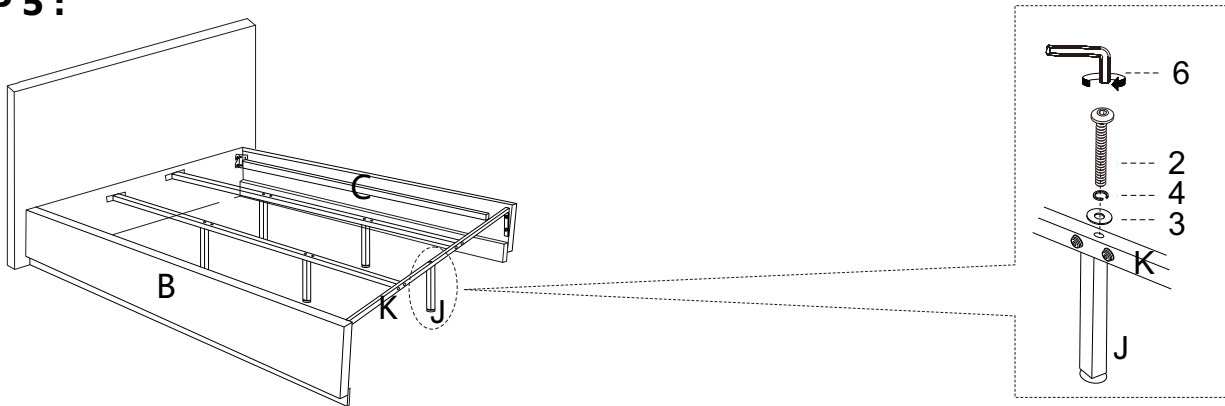
UPDATED: JUNE 1ST, 2023

# UPHOLSTERED STORAGE BED C.KING/E.KING ASSEMBLY INSTRUCTIONS

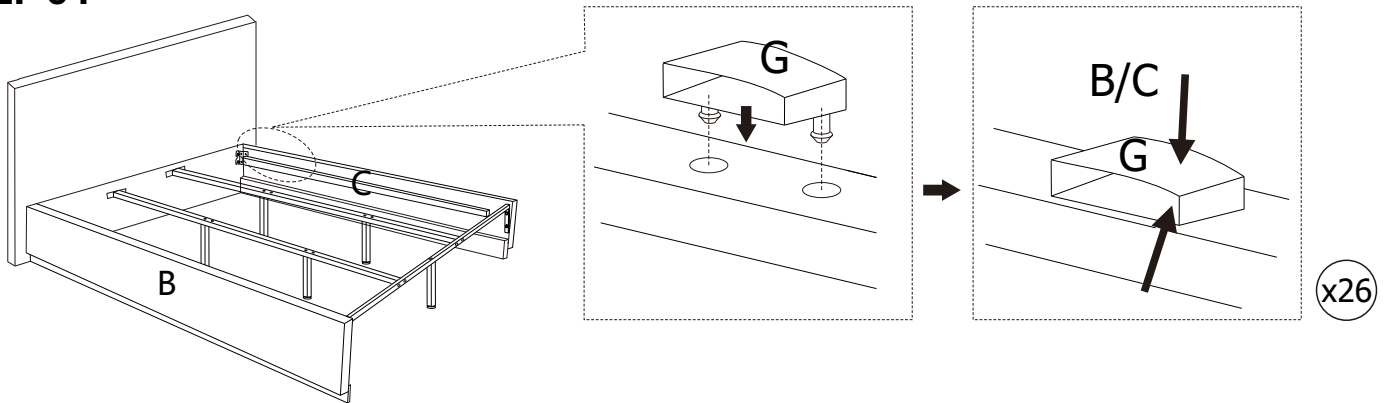
## STEP 4:



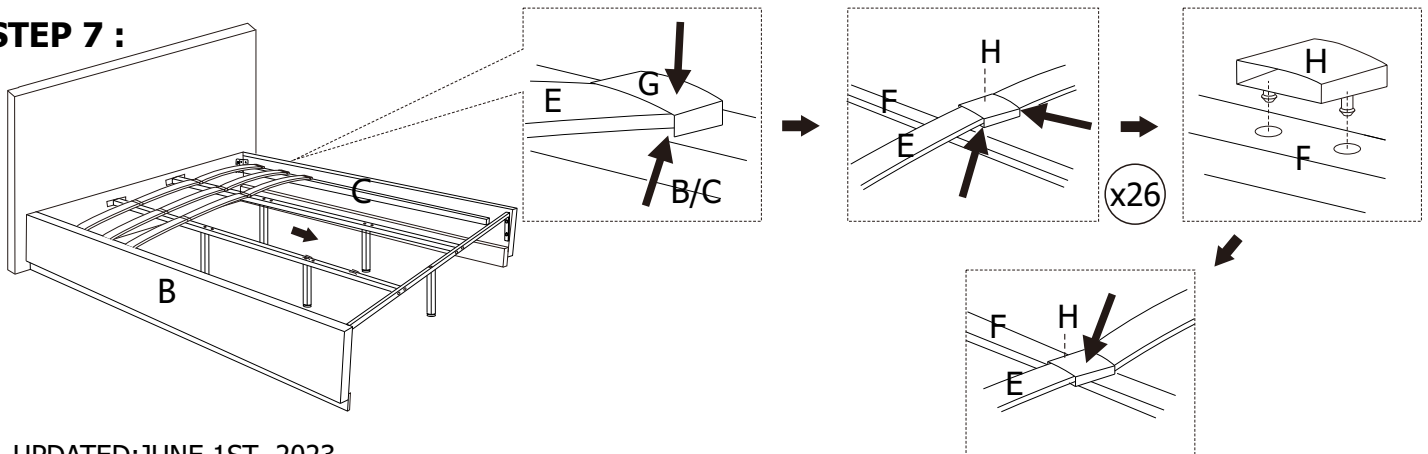
## STEP 5:



## STEP 6:



## STEP 7:

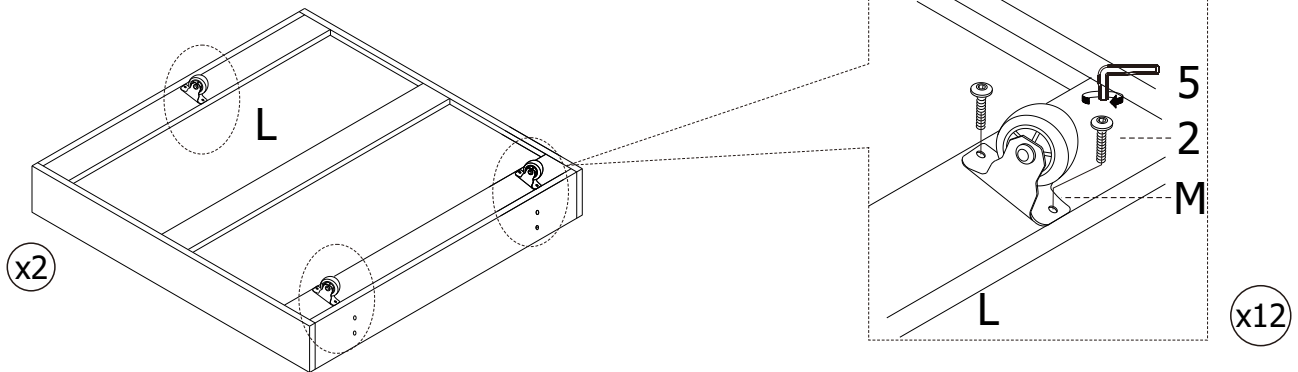


UPDATED: JUNE 1ST, 2023

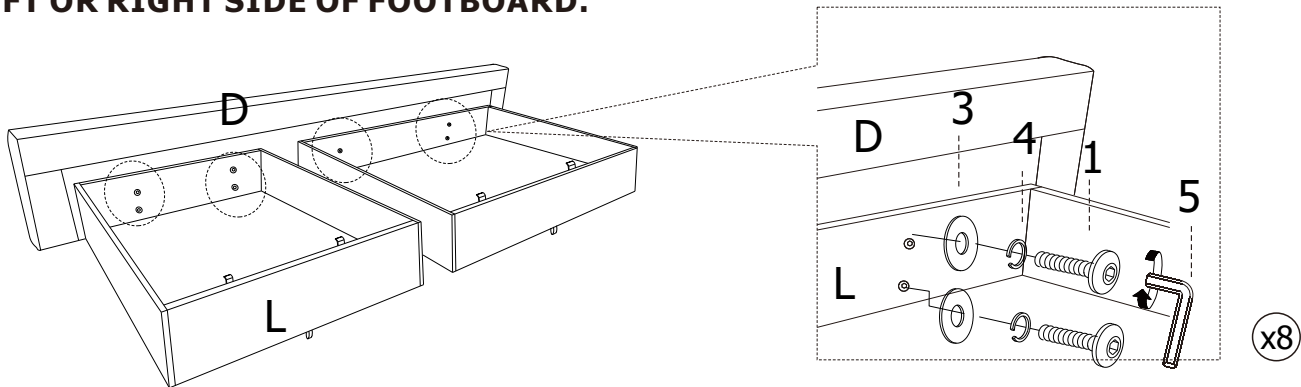
# UPHOLSTERED STORAGE BED C.KING/E.KING ASSEMBLY INSTRUCTIONS

## STEP 8 :

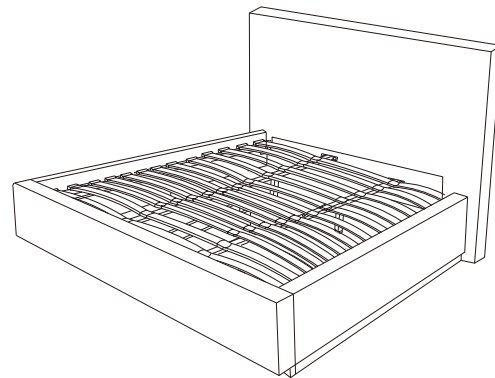
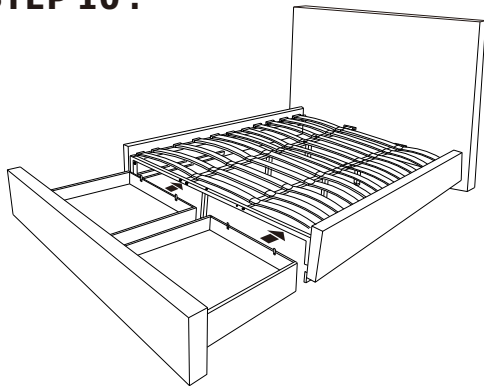
NOTE: USE HARDWARE PACKED IN BOX #3 FOR STEPS 8 & 9.



## STEP 9 :DRAWER BOXES ARE NOT SIDE SPECIFIC AND CAN BE ATTACHED TO EITHER LEFT OR RIGHT SIDE OF FOOTBOARD.



## STEP 10 :



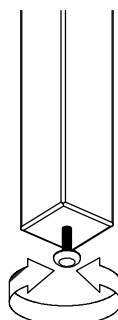
**ASSEMBLY COMPLETE**

## INSTRUCTIONS FOR ADJUSTING LEVELERS :

POSITION THE BED IN YOUR ROOM.  
LOCATE LEVELERS UNDER EACH  
SUPPORT LEG (I/J).

TURN COUNTER-CLOCKWISE TO  
EXTEND, CLOCKWISE TO RETRACT.

ADJUST LEVELERS UNTIL EACH LEG  
SUPPORT IS APPLYING EQUAL UPWARD  
PRESSURE ON THE CENTER SLAT.



## MAINTENANCE INSTRUCTIONS:

- PERIODICALLY CHECK ALL FITTINGS AND TIGHTEN IF NECESSARY, AS THEY CAN LOOSEN OVER TIME.
- ALWAYS REMOVE BOX SPRING AND MATTRESS BEFORE MOVING THE BED.
- LIFT THE BED WHEN MOVING IT. DRAGGING THE BED CAN DAMAGE THE CENTER SUPPORT.
- READJUST LEVELERS AFTER MOVING THE BED.

UPDATED:JUNE 1ST, 2023