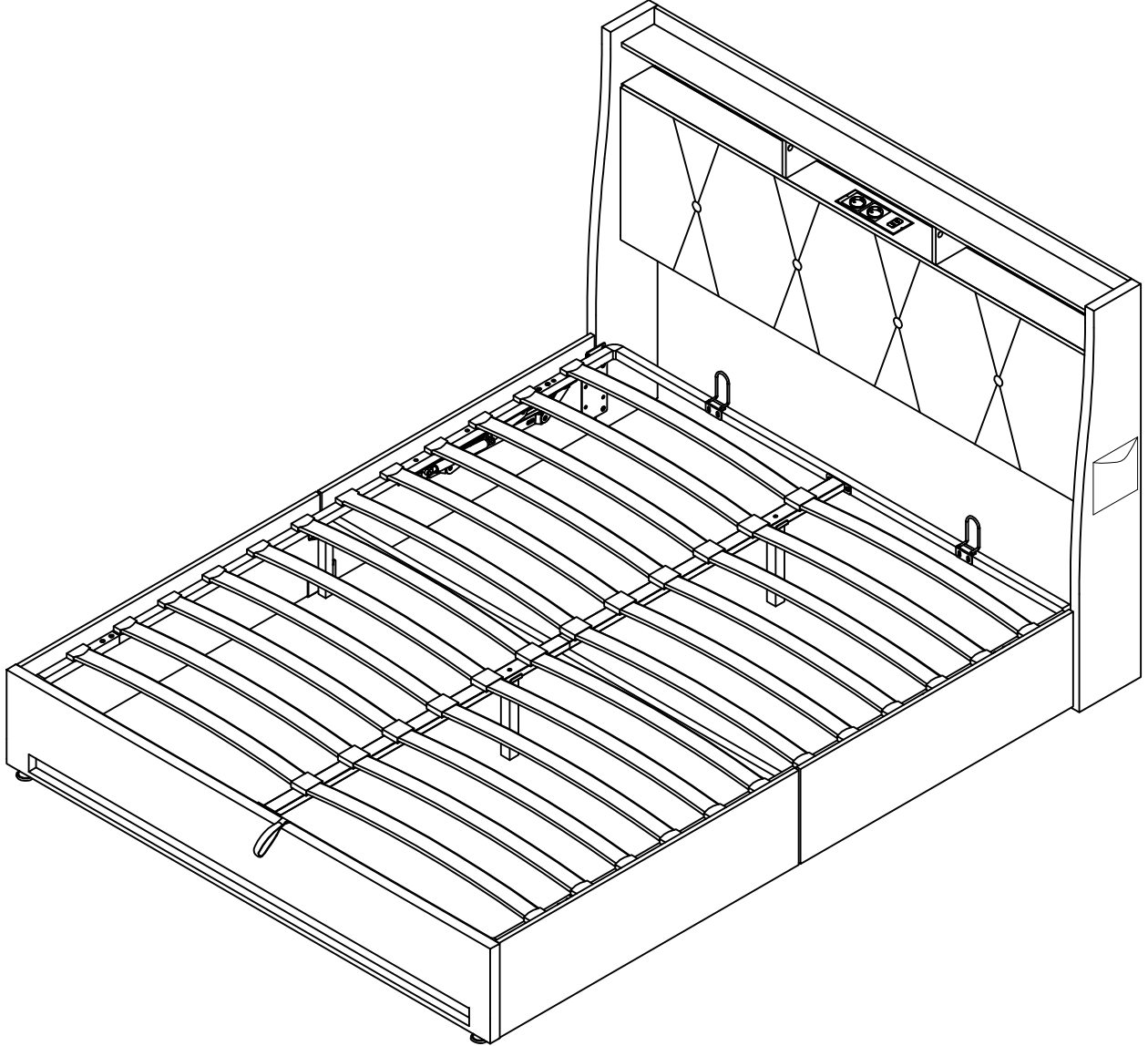


Montageanleitung | Instructions de montage Assembly Instructions | Instrucciones de montaje

SKU NUMBER: HFBD-850



- GB** This set comes in 3 boxes. If you do not receive a full set of 3 boxes, please contact our customer service.
- DE** Dieses Set wird in 3 Schachteln geliefert. Wenn Sie nicht ein komplettes Set von 3 Boxen erhalten, kontaktieren Sie bitte unseren Kundenservice.
- FR** Ce set est livré en 3 boîtes. Si vous ne recevez pas un jeu complet de 3 boîtes, veuillez contacter notre service clientèle.

English

IMPORTANT FOR GAS LIFT BEDS&MAINTAINCE

- Please place the mattress on top of the bed frame.
- Please do not pull on the strap handles.
- Please press heavily to release the compressed gas.
- Periodically check all screw & fixings to ensure they are secure.
- When moving your product, carefully lift into place.
- Wipe clean with a slightly damp cloth- please do not use abrasive chemicals or bleach.
- Do NOT allow children to operate the lift mechanism.
- Do NOT allow children near the lift base when operating the mechanism.
- Do NOT stand inside the bed or the internal storage base.
- Do NOT overload the internal storage base.
- DO NOT jump on the product or any of its parts.

Deutsch

WICHTIG FÜR GASLIFT-BETTEN&WARTUNG

- Bitte legen Sie die Matratze oben auf den Bettrahmen.
- Bitte ziehen Sie nicht an den Gurtgriffen.
- Bitte drücken Sie kräftig, um das komprimierte Gas freizusetzen.
- Überprüfen Sie regelmäßig alle Schrauben und Befestigungen, um sicherzustellen, dass sie sicher sind.
- Wenn Sie Ihr Produkt bewegen, heben Sie es vorsichtig an seinen Platz.
- Mit einem leicht feuchten Tuch abwischen - bitte keine scheuernden Chemikalien oder Bleichmittel verwenden.
- Erlauben Sie Kindern NICHT, den Hebemechanismus zu bedienen.
- Lassen Sie Kinder NICHT in die Nähe des Liftsockels, wenn Sie den Mechanismus bedienen.
- Stellen Sie sich NICHT in das Bett oder in die Innenablage.
- Überlasten Sie den internen Liftsockel NICHT.
- Springen Sie NICHT auf das Produkt oder eines seiner Teile.

Français

IMPORTANT POUR LES LITS À RELEVAGE DE GAZ&MAINTENANCE

- Veuillez placer le matelas sur le dessus du cadre de lit.
- Ne tirez pas sur les poignées de la sangle.
- Appuyez fortement pour libérer le gaz comprimé.
- Vérifiez régulièrement que toutes les vis et fixations sont bien en place.
- Lorsque vous déplacez votre produit, soulevez-le avec précaution pour le mettre en place.
- Nettoyez avec un chiffon légèrement humide - n'utilisez pas de produits chimiques abrasifs ou d'eau de Javel.
- Ne laissez pas les enfants utiliser le mécanisme de levage.
- Ne laissez pas les enfants s'approcher de la base de levage lorsqu'ils actionnent le mécanisme.
- Ne vous tenez PAS à l'intérieur du lit ou de la base de stockage interne.
- Ne surchargez pas la base de stockage interne.
- Ne pas sauter sur le produit ou l'une de ses parties.

Italiano

IMPORTANTE PER I LETTI CON SOLLEVAMENTO A GAS E LA MANUTENZIONE

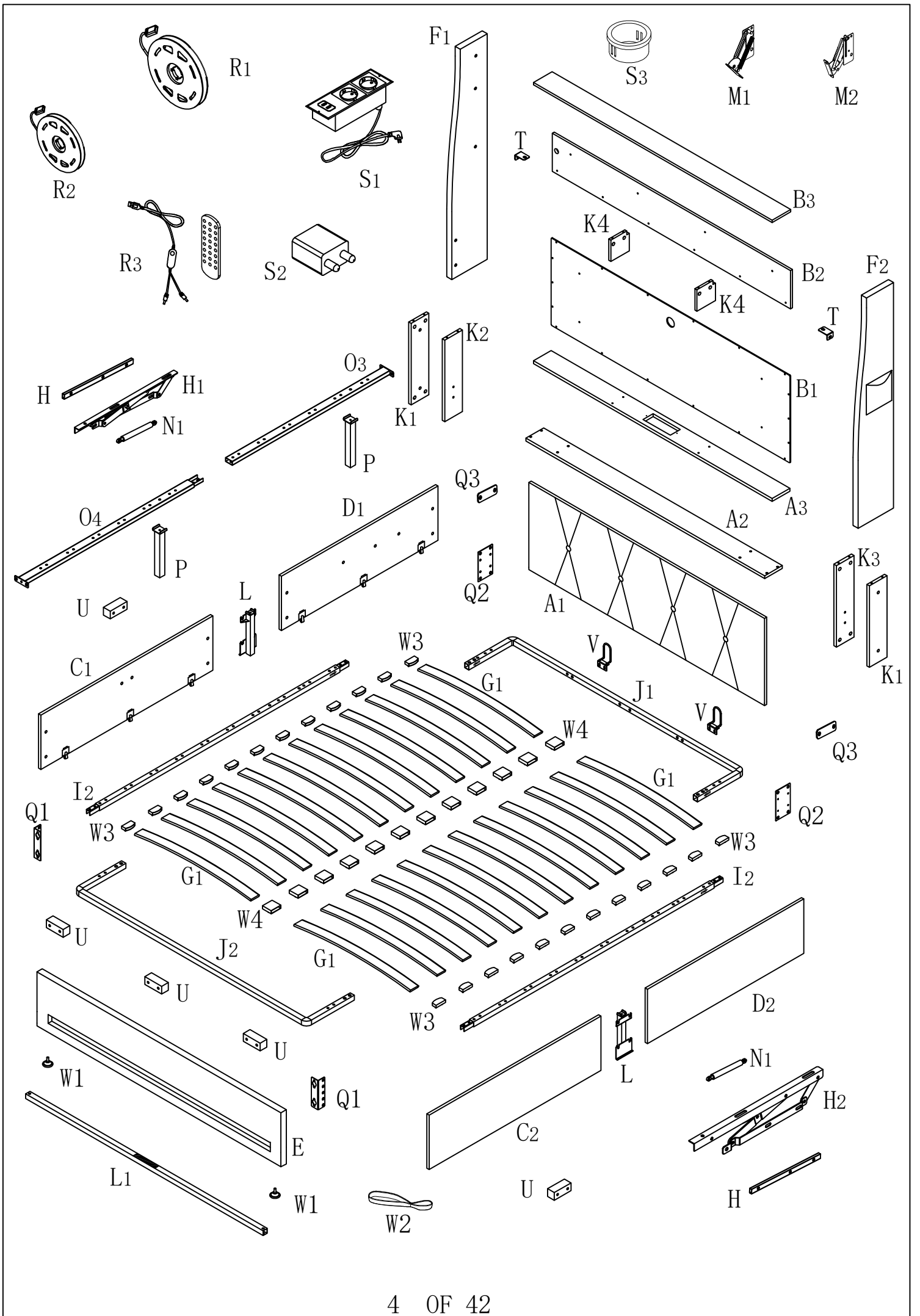
- Posizionare il materasso sopra la struttura del letto.
- Non tirare le maniglie della cinghia.
- Premere con forza per rilasciare il gas compresso.
- Controllare periodicamente tutte le viti e i fissaggi per assicurarsi che siano saldi.
- Quando si sposta il prodotto, sollevarlo con cautela.
- Pulire con un panno leggermente umido, senza usare prodotti chimici abrasivi o candeggina.
- NON permettere ai bambini di azionare il meccanismo di sollevamento.
- NON permettere ai bambini di avvicinarsi alla base di sollevamento quando si aziona il meccanismo.
- NON sostare all'interno del letto o della base di contenimento interna.
- NON sovraccaricare la base di contenimento interna.
- NON saltare sul prodotto o sulle sue parti.

Español

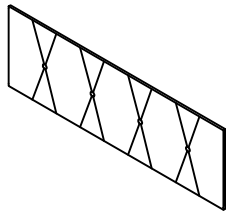
IMPORTANTE PARA LAS CAMAS ELEVADORAS DE GAS&MANTENIMIENTO

- Coloque el colchón sobre el somier.
- No tire de las asas de la correa.
- Presione con fuerza para liberar el gas comprimido.
- Compruebe periódicamente que todos los tornillos y fijaciones estén bien sujetos.
- Al mover el producto, levántelo con cuidado para colocarlo en su sitio.
- Limpie con un paño ligeramente humedecido; no utilice productos químicos abrasivos ni lejía.
- NO permita que los niños accionen el mecanismo de elevación.
- NO permita que los niños se acerquen a la base elevadora cuando accionen el mecanismo.
- NO se ponga de pie dentro de la cama o de la base de almacenamiento interna.
- NO sobrecargue el somier.
- NO salte sobre el producto ni sobre ninguna de sus piezas.

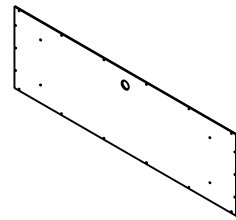




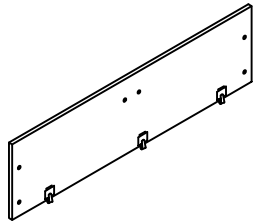
Part list HFBD-850-1



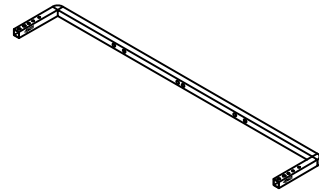
A1*1PC



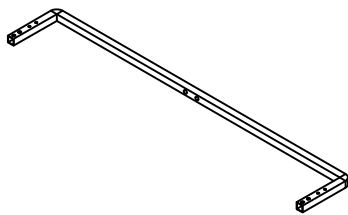
B1*1PC



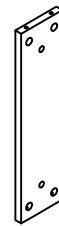
C1*1PC



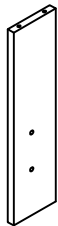
J1*1PC



J2*1PC



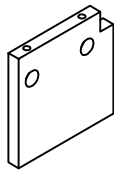
K1*2PCS



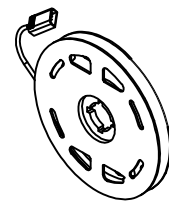
K2*1PC



K3*1PC



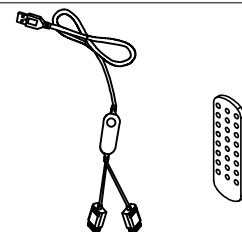
K4*2PCS



R1*1PC



R2*1PC

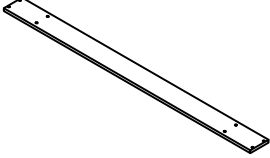
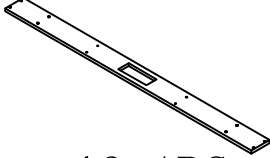

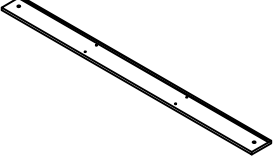
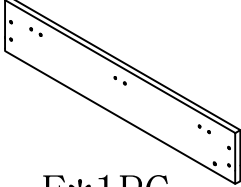


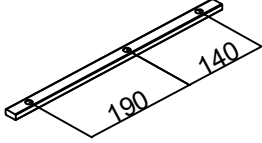
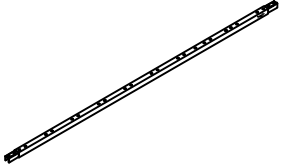




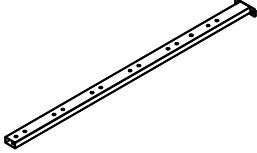
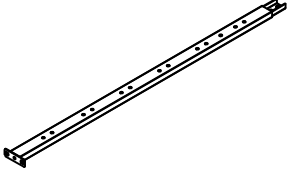
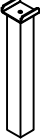
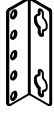
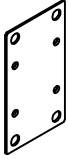
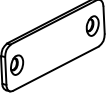
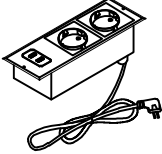
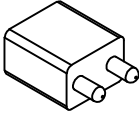
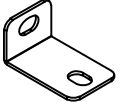
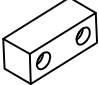

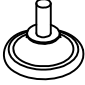



R3*1PC



S3*1PC

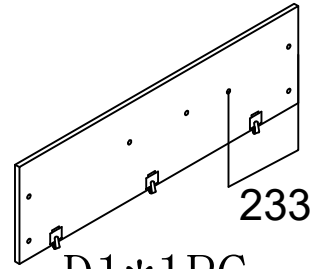
Part list HFBD-850-2

 A2*1PC	 A3*1PC	 B2*1PC	
 B3*1PC	 E*1PC	 F1*1PC	
 F2*1PC	 H*2PCS	 I2*2PCS	
 M1*1PC	 M2*1PC	 L*2PCS	
 L1*1PC	 O3*1PC	 O4*1PC	
 P*2PCS	 Q1*2PCS	 Q2*2PCS	
 Q3*2PCS	 S1*1PC	 S2*1PC	 T*2PCS
 U*5PCS	 V*2PCS	 W1*2PCS	 W2*1PC

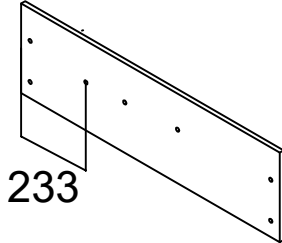
Part list HFBD-850-3



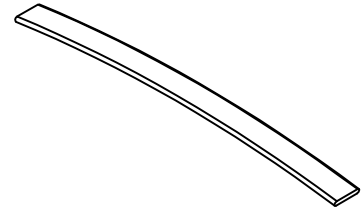
C2*1PC



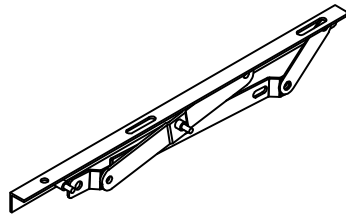
D1*1PC



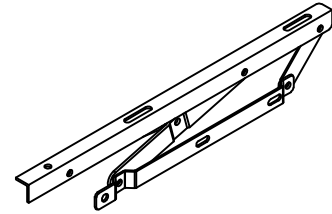
D2*1PC



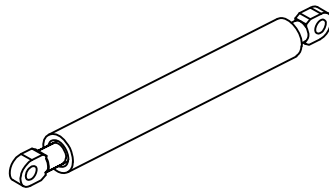
G1*24PCS



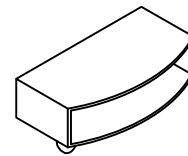
H1*1PC



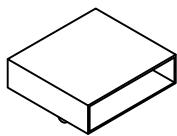
H2*1PC



N1*2PCS

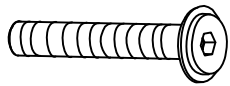


W3*24PCS



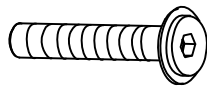
W4*12PCS

Part list HFBD-850-2



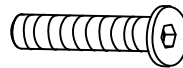
M8*50MM

X1*6PCS



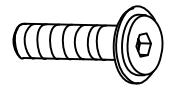
M8*45MM

X2*8PCS



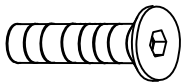
M8*40MM

X3*10PCS



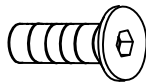
M8*30MM

X4*12PCS



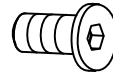
M8*30MM

X5*4PCS



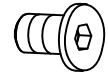
M8*18MM

X6*4PCS



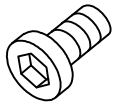
M8*16MM

X7*30PCS



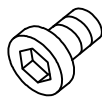
M8*10MM

X8*2PCS



M6*16mm

X9*4PCS



M6*12mm

X10*4PCS



M8

X11*10PCS



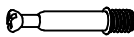
M4*14

Y1*12PCS



M3*15mm

Y2*2PCS



Ø6x35mm

Y3*20PCS



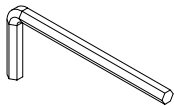
Ø15x10mm

Y4*20PCS



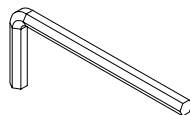
Ø5x40mm

Y5*30PCS



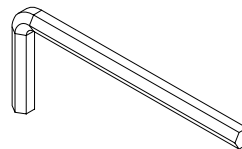
M3

Z1*1PC



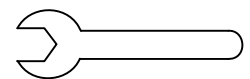
M4

Z2*1PC



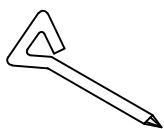
M5

Z3*1PC



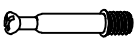
M13

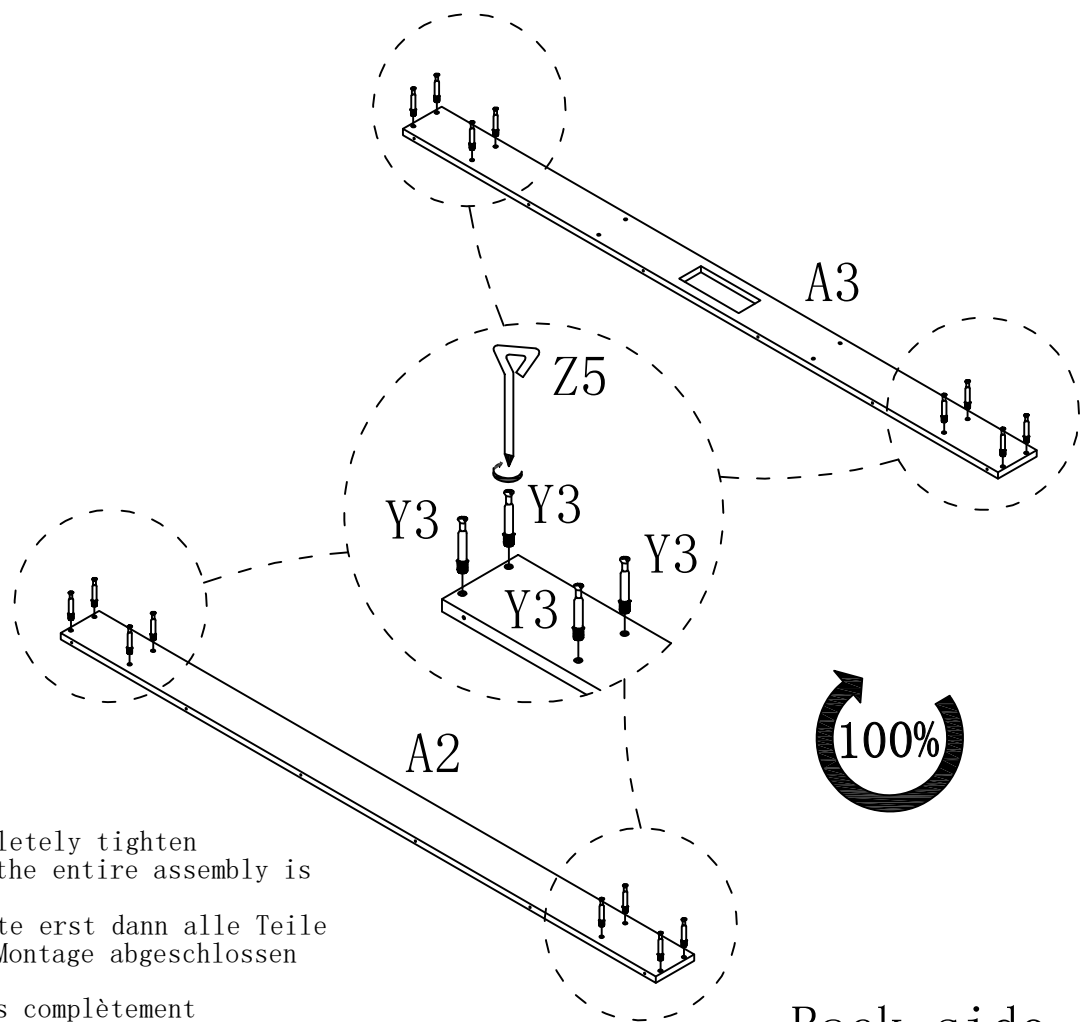
Z4*1PC



M5

Z5*1PC

1 Y3*16

 Ø6x35mm



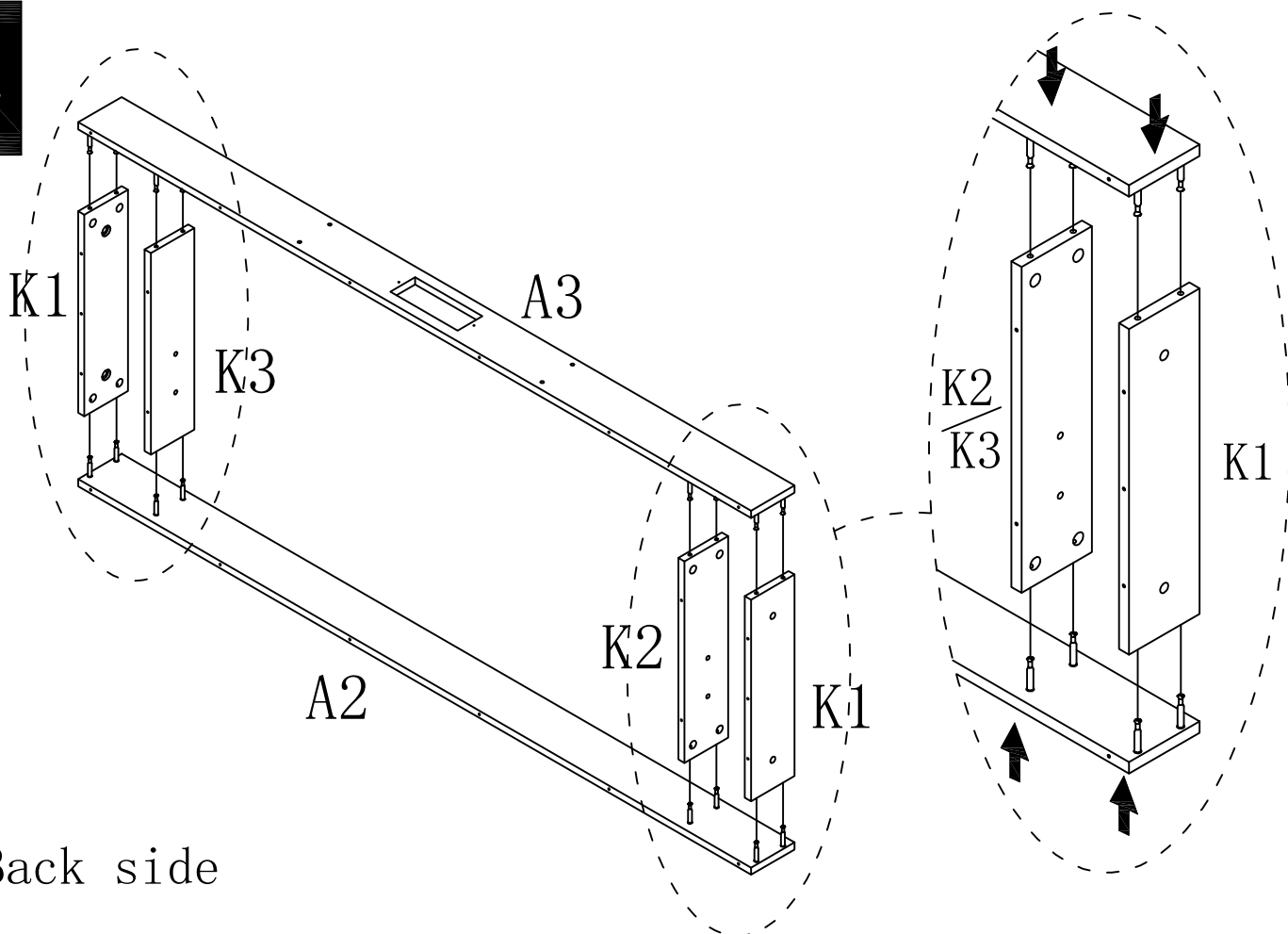
NOTE: Please do not completely tighten all the hardware until the entire assembly is complete!

HINWEIS: Ziehen Sie bitte erst dann alle Teile fest, wenn die gesamte Montage abgeschlossen ist!


REMARQUE : Ne serrez pas complètement toutes les vis avant d'avoir terminé l'assemblage !

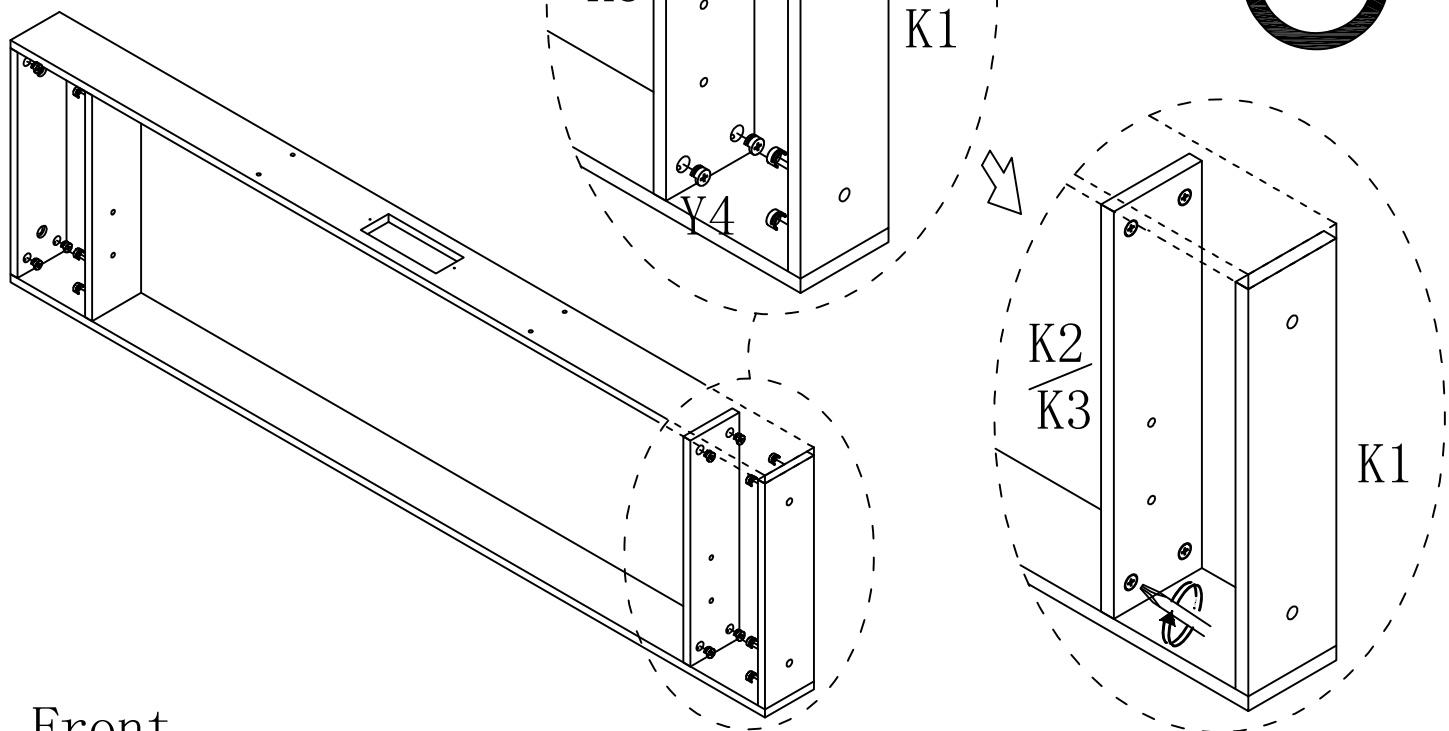
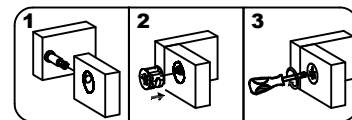
Back side

2




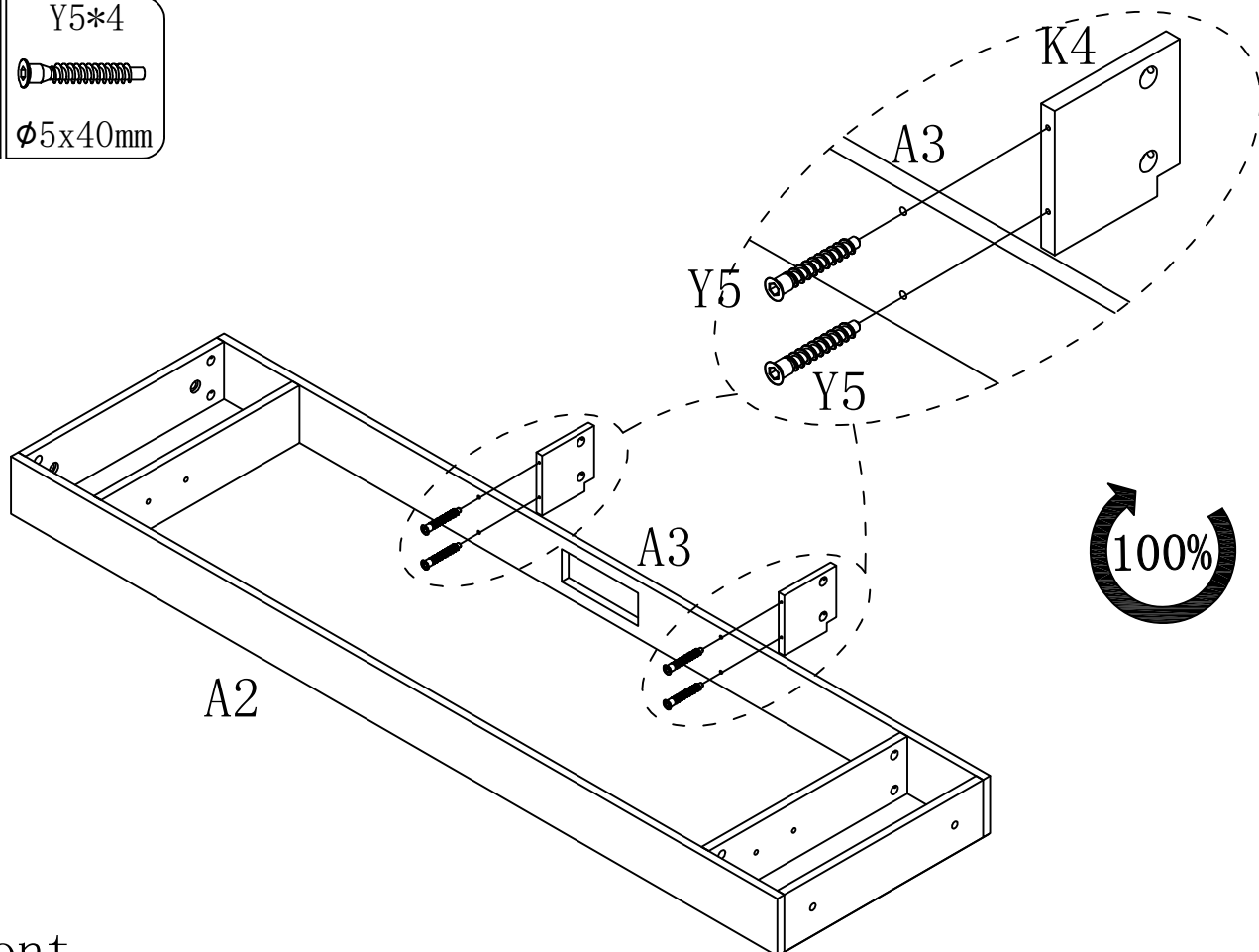
Back side

3 Y4*16

 φ15x10mm



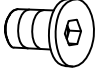
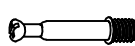
Front

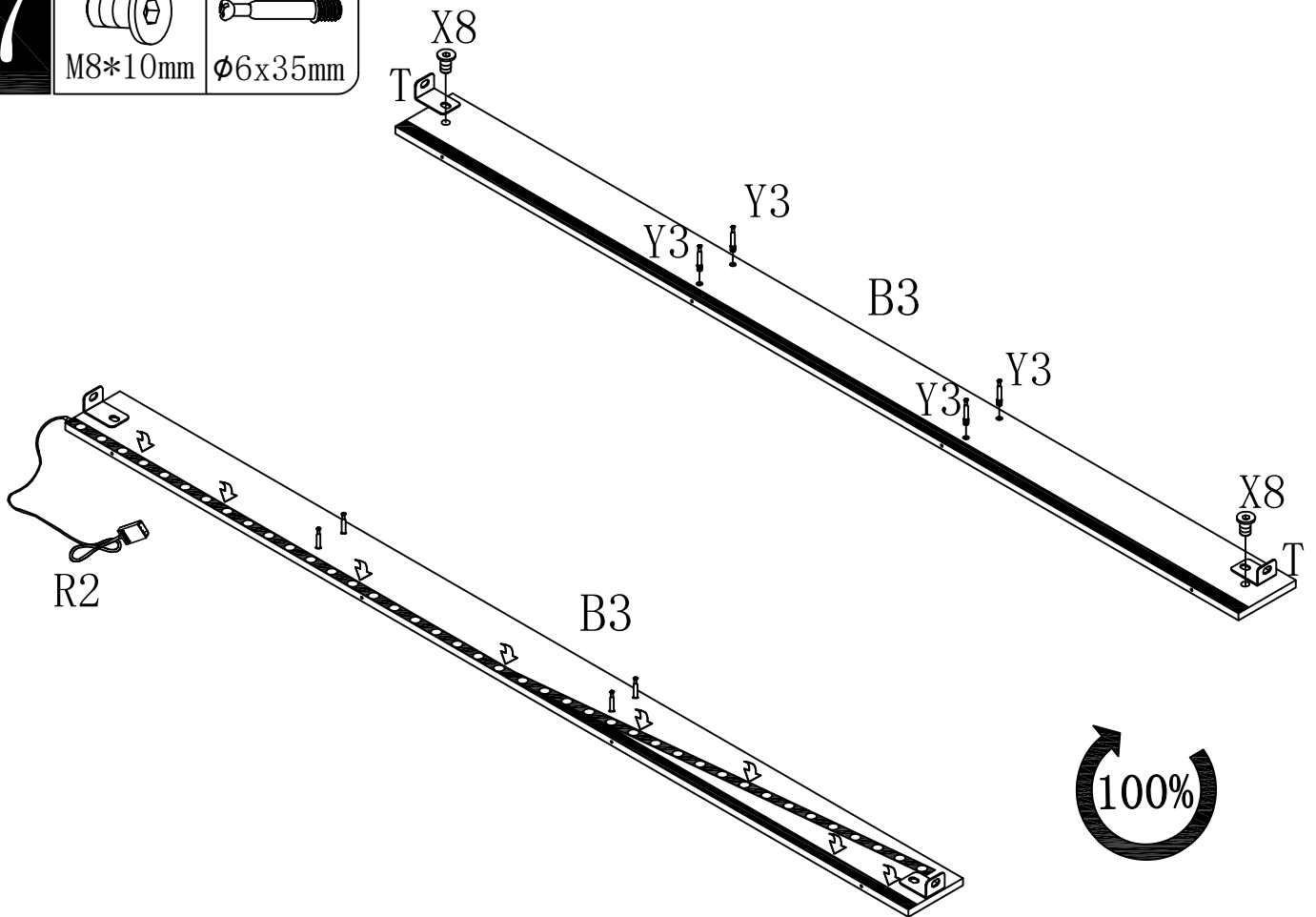
4 Y5*4

 φ5x40mm



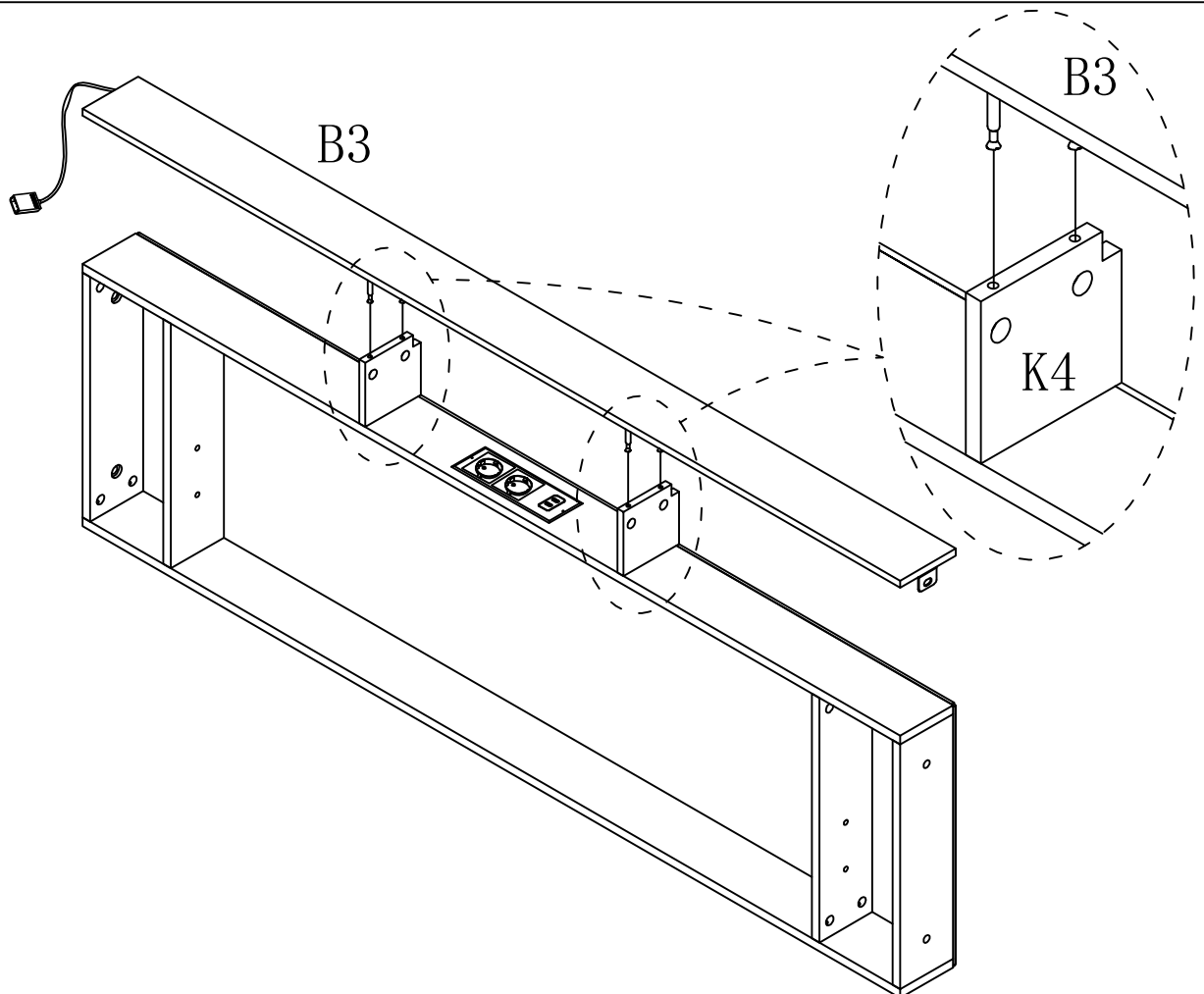
Front

7

X8*2	Y3*4
	
M8*10mm	∅6x35mm



8



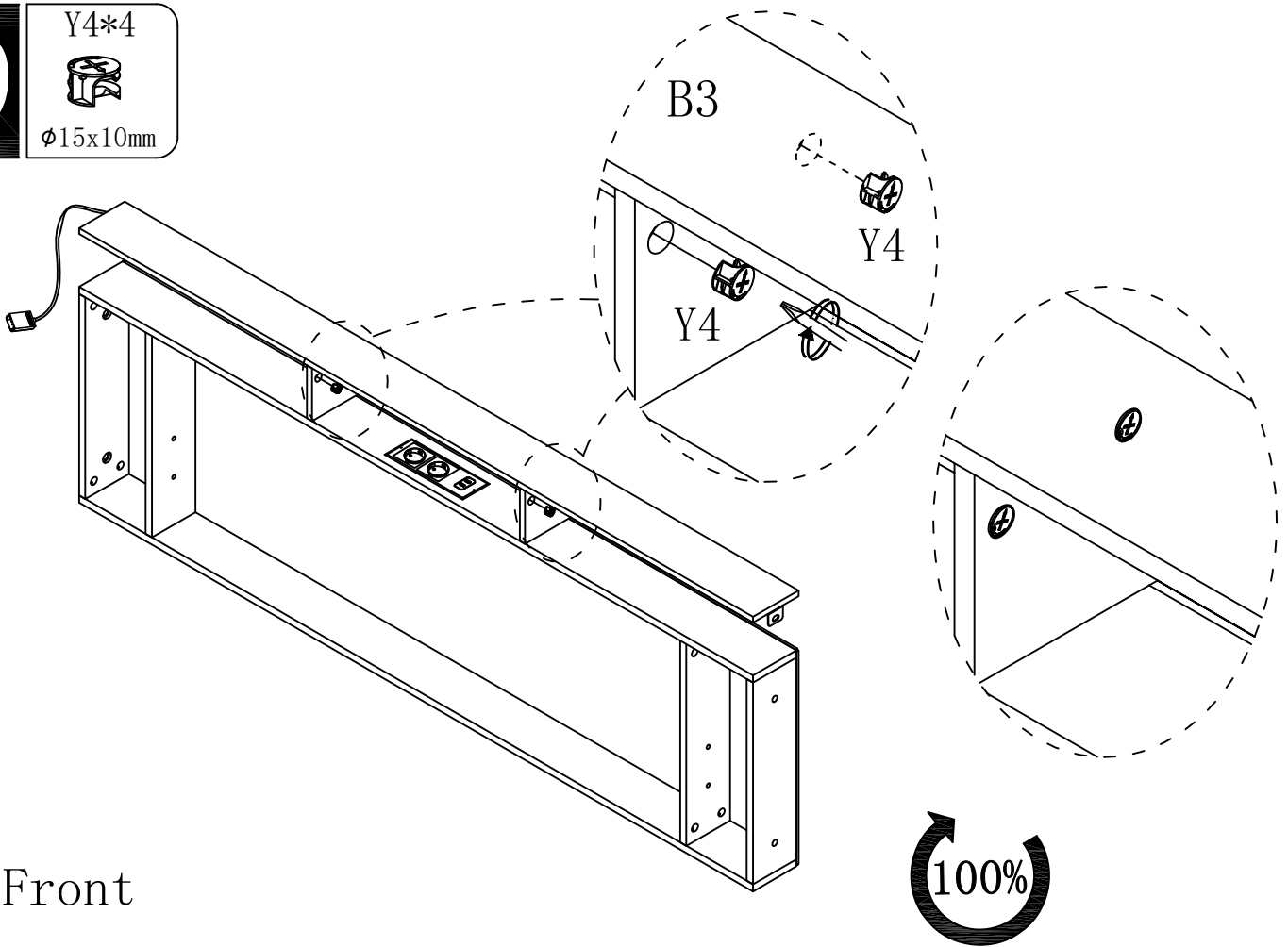
Front

9

Y4*4



φ15x10mm



Front

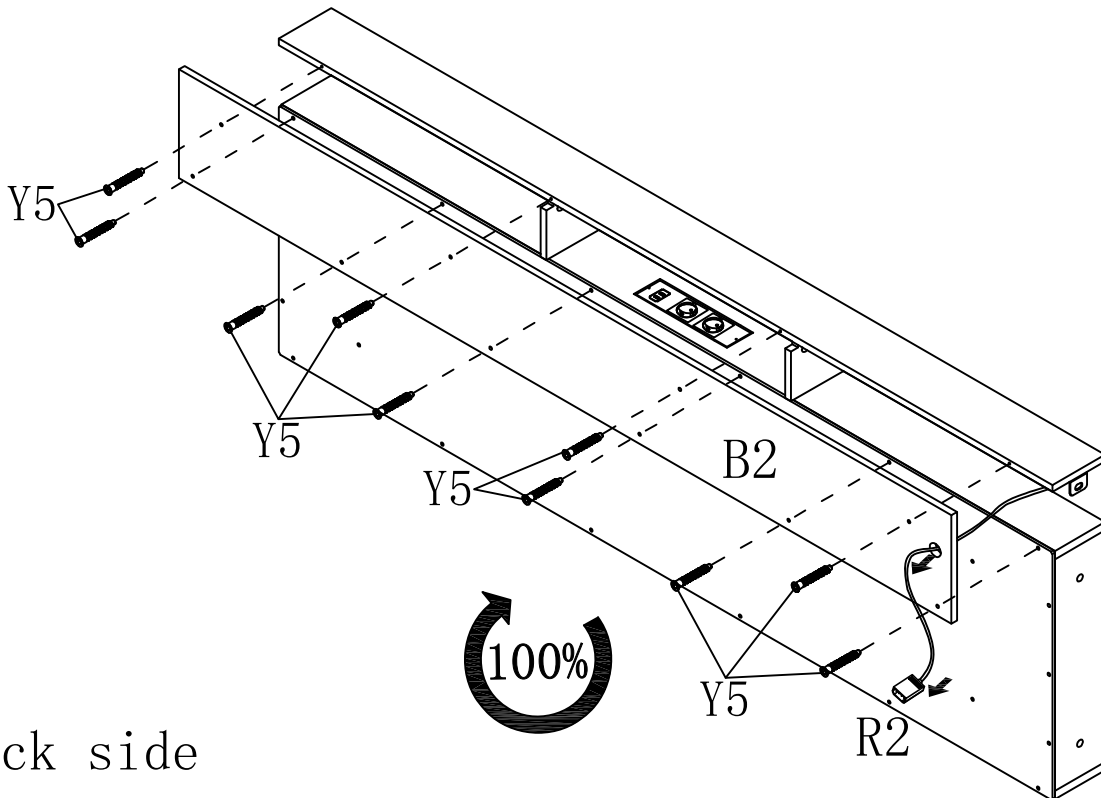


10

Y5*10



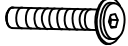

φ5x40mm

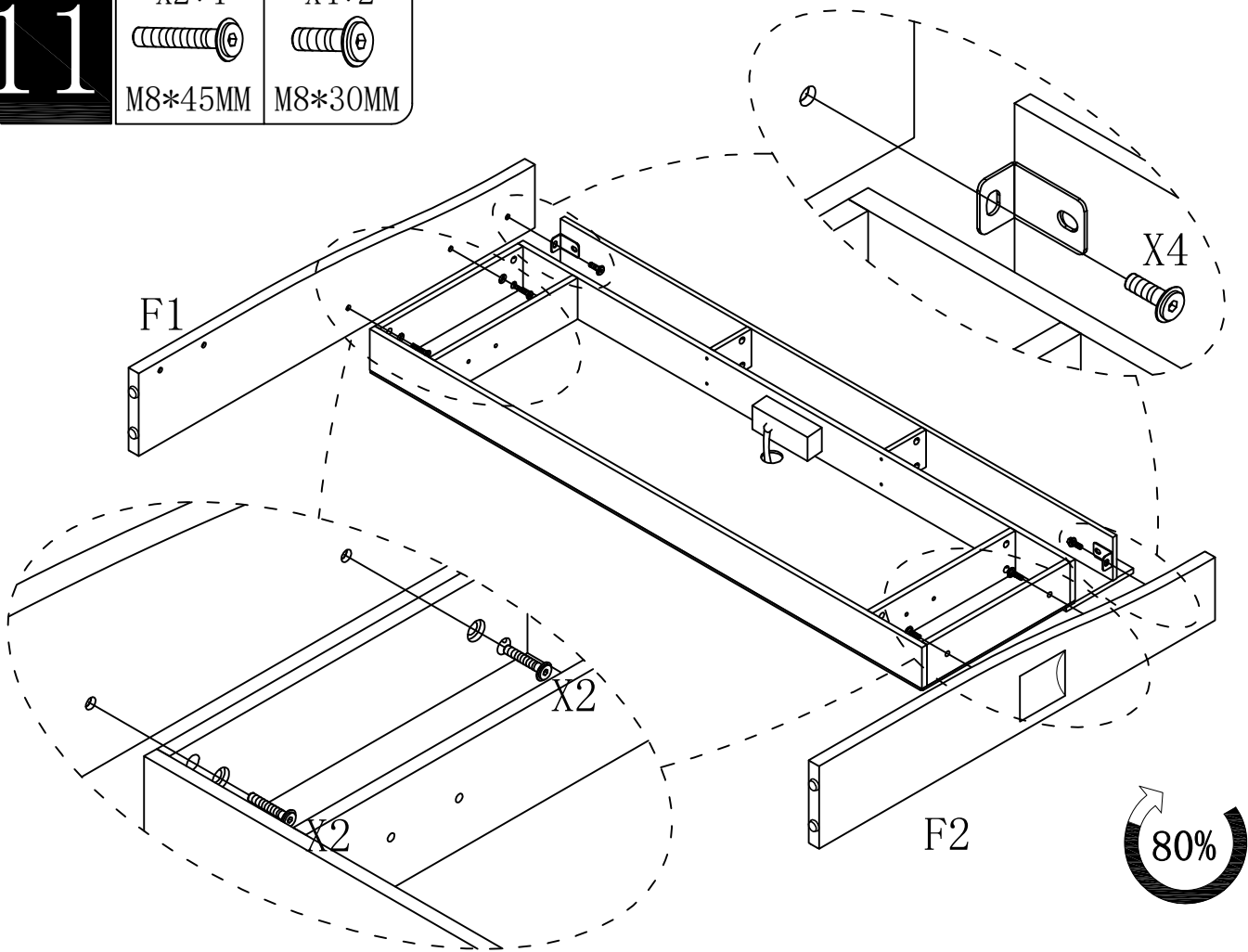


Back side




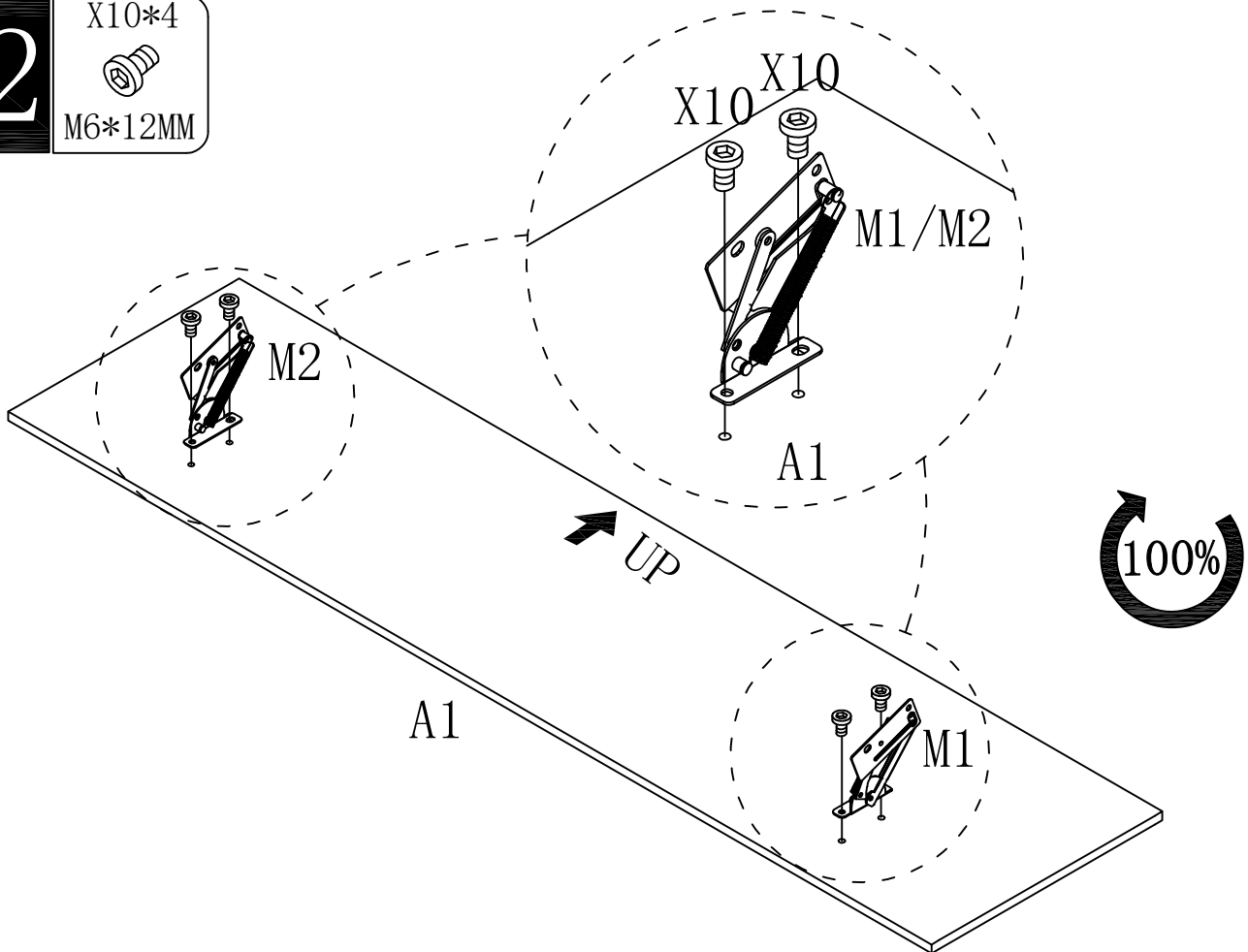
11

X2*4	X4*2
	
M8*45MM	M8*30MM

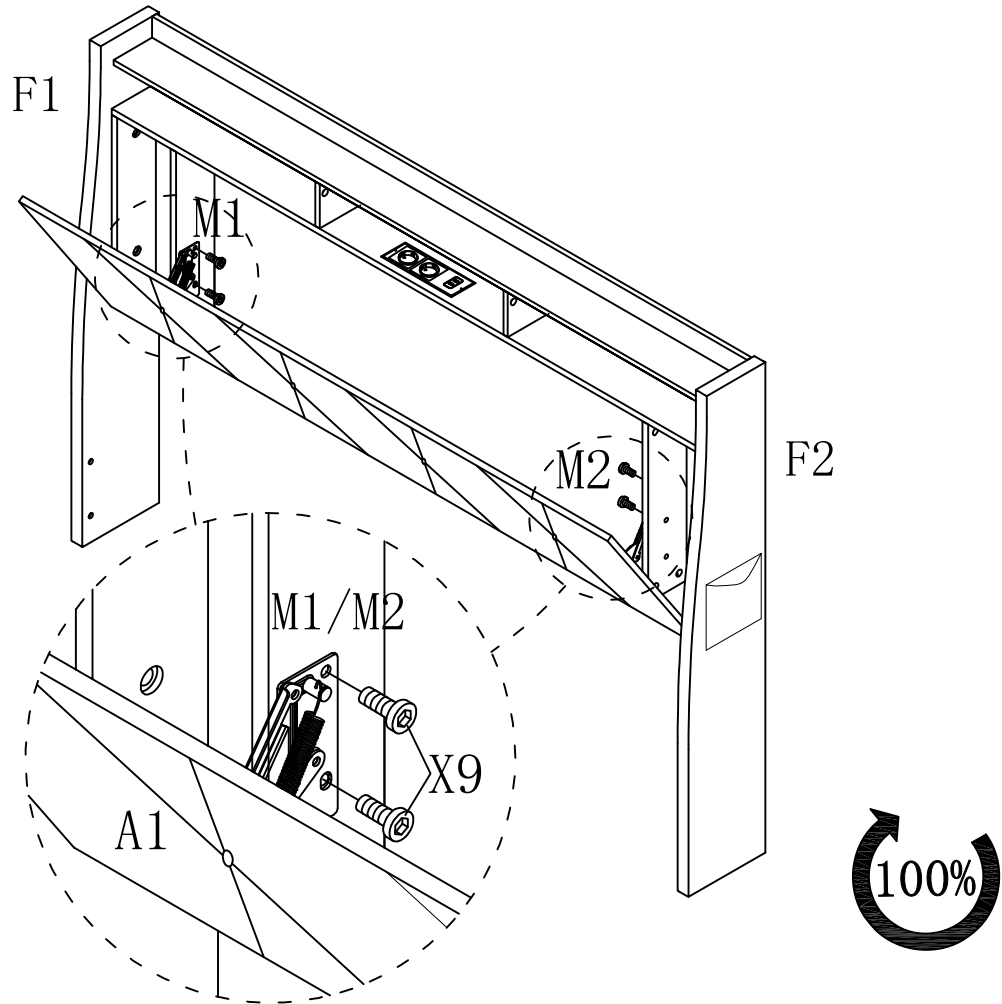


12

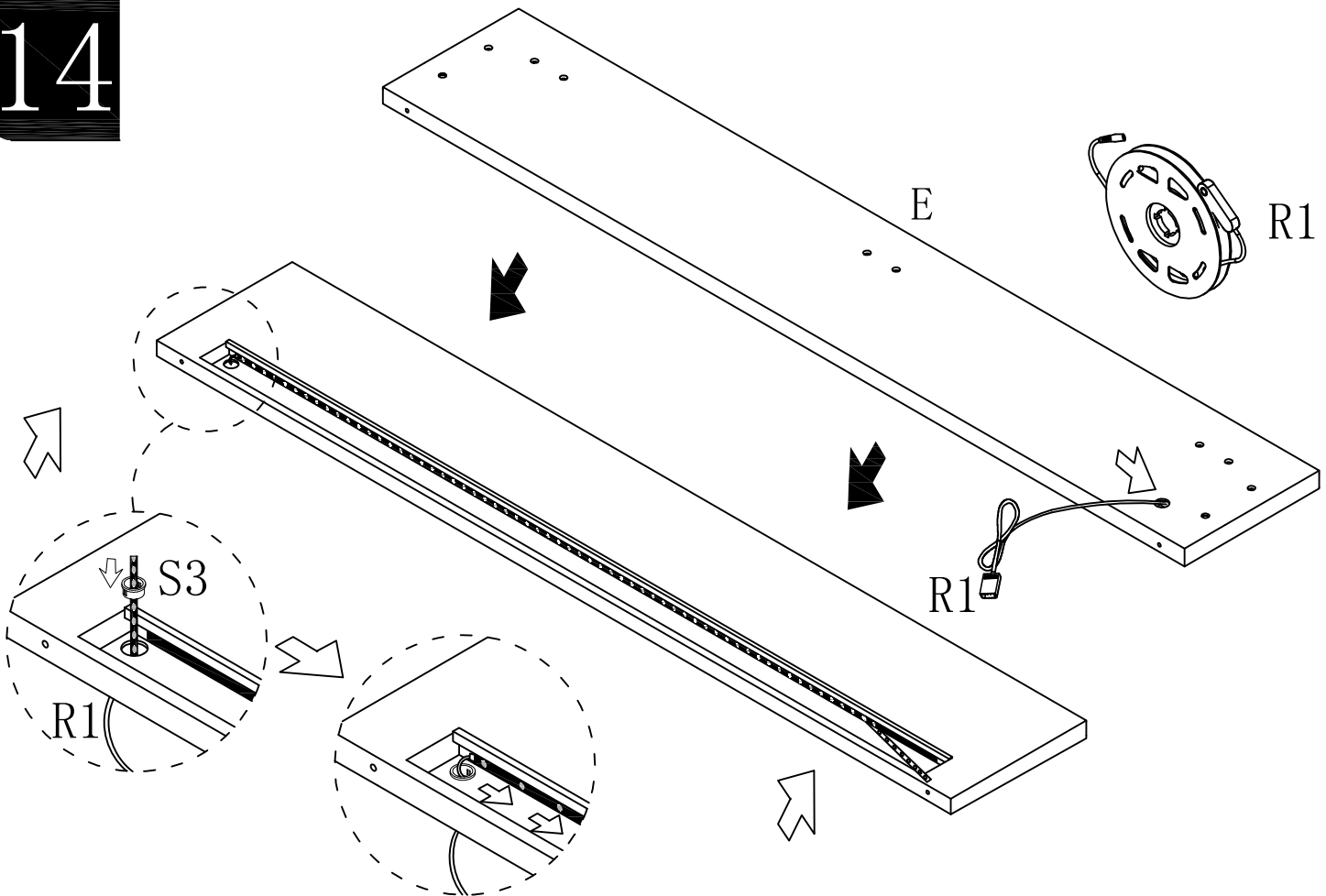
X10*4

M6*12MM



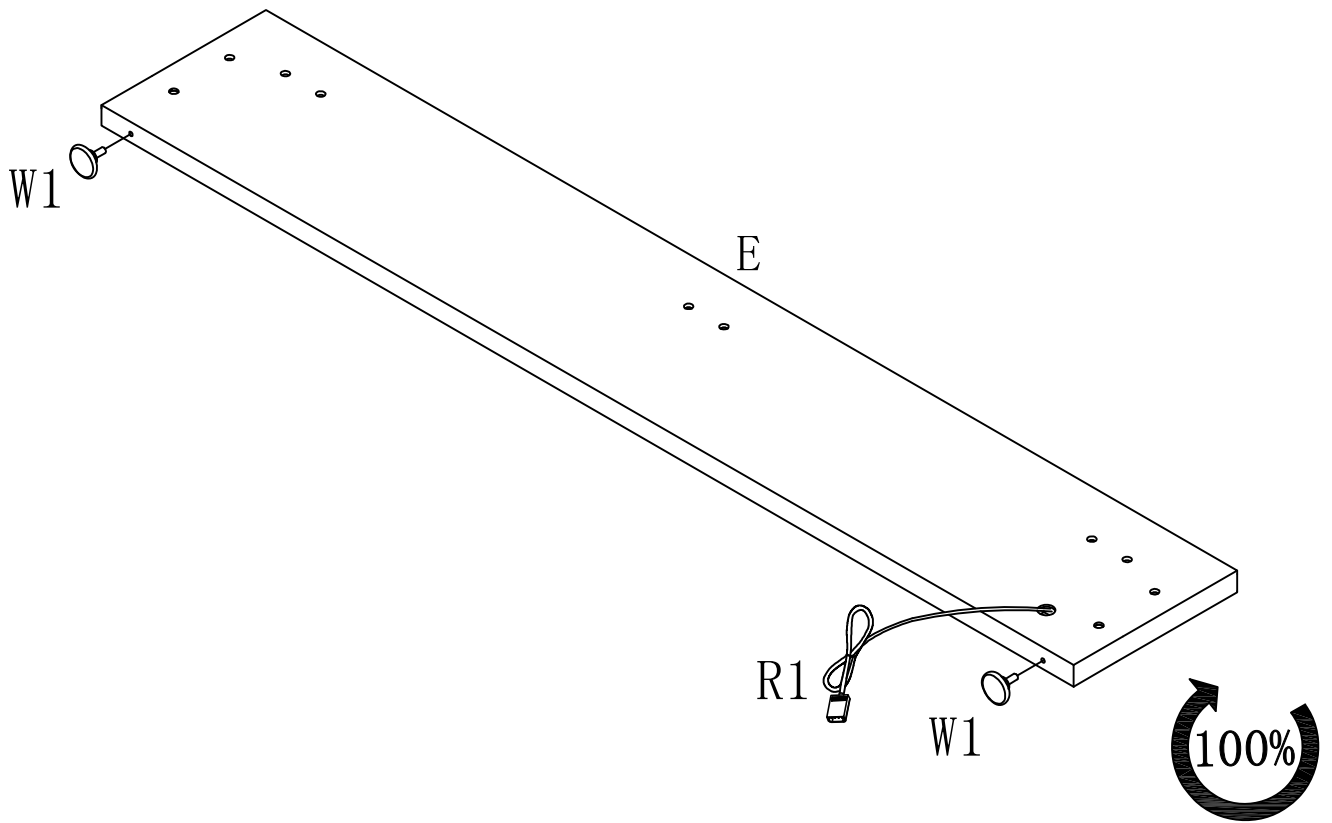
13 X9*4
M6*16MM



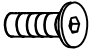
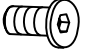
14

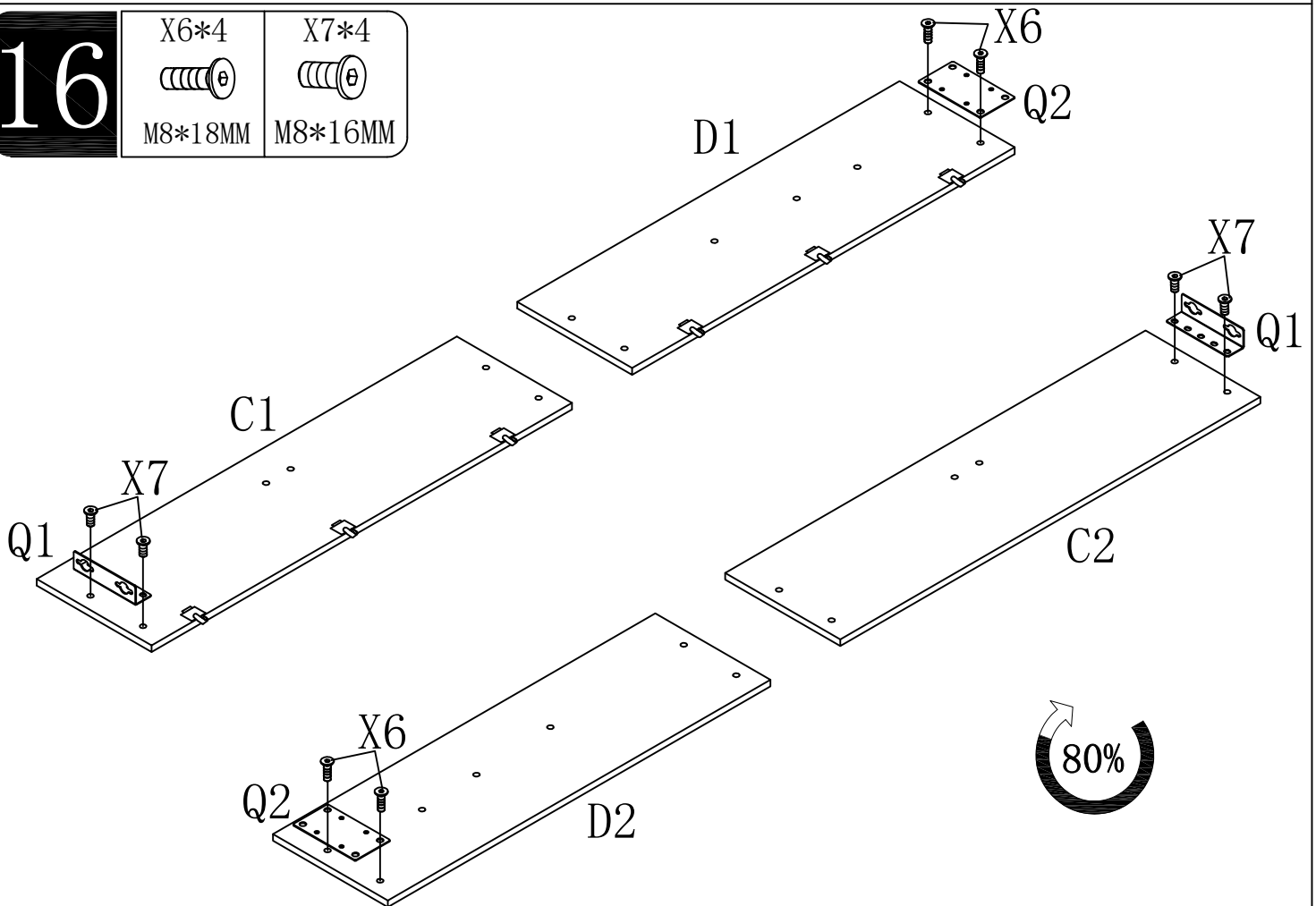



15

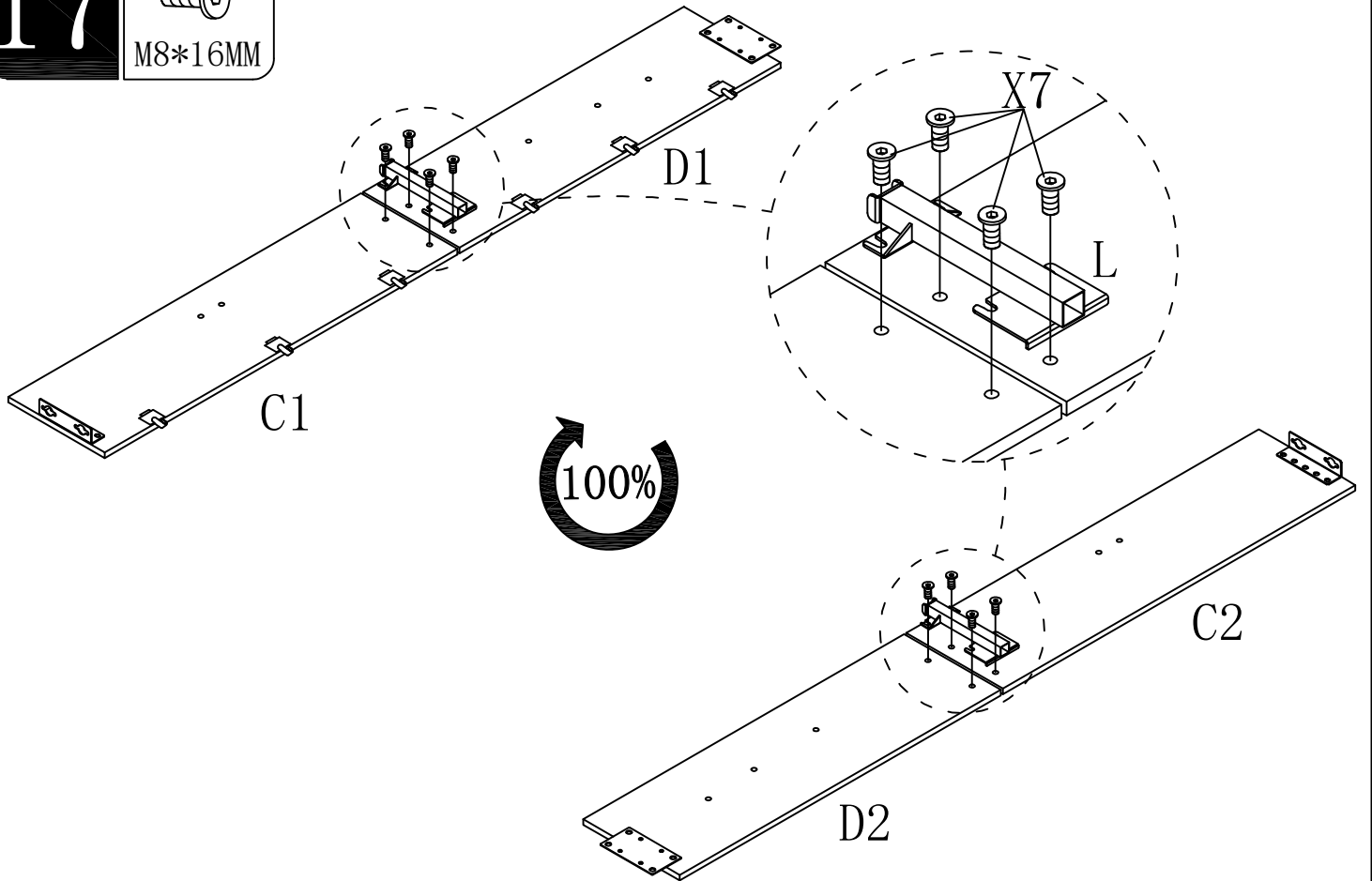


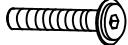
16

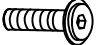
X6*4	X7*4
	
M8*18MM	M8*16MM

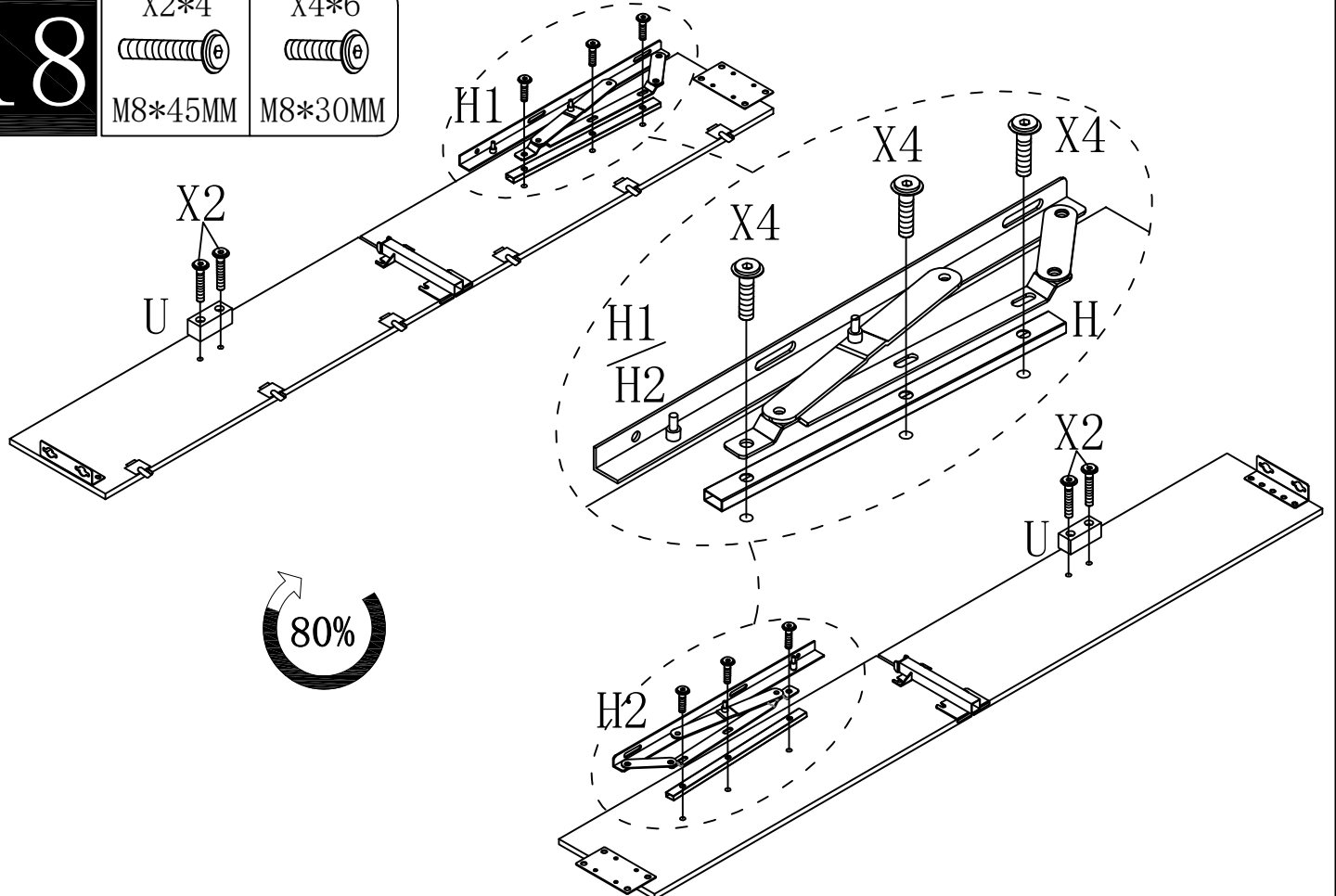


17 X7*8

 M8*16MM

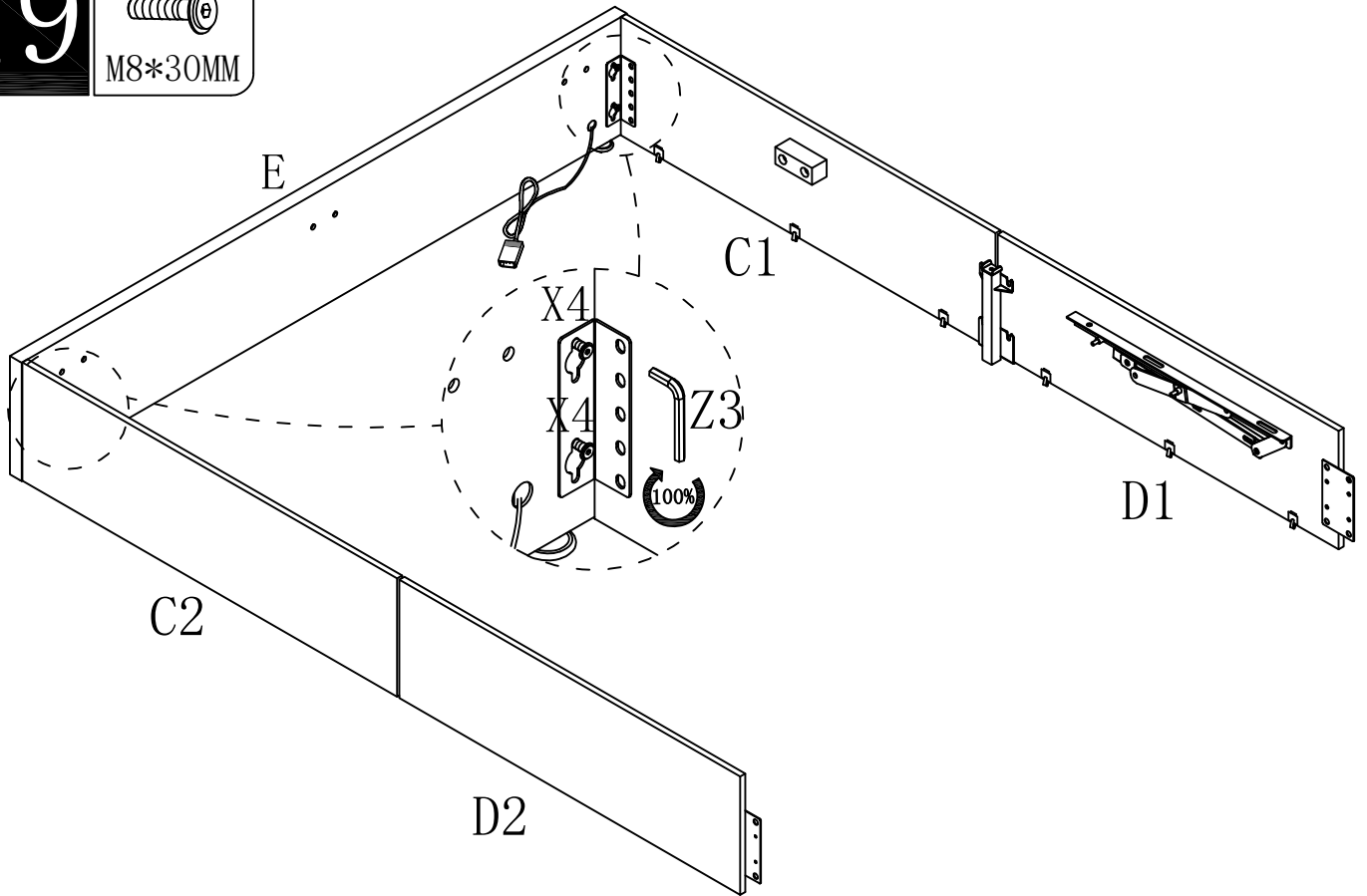


18 X2*4

 M8*45MM

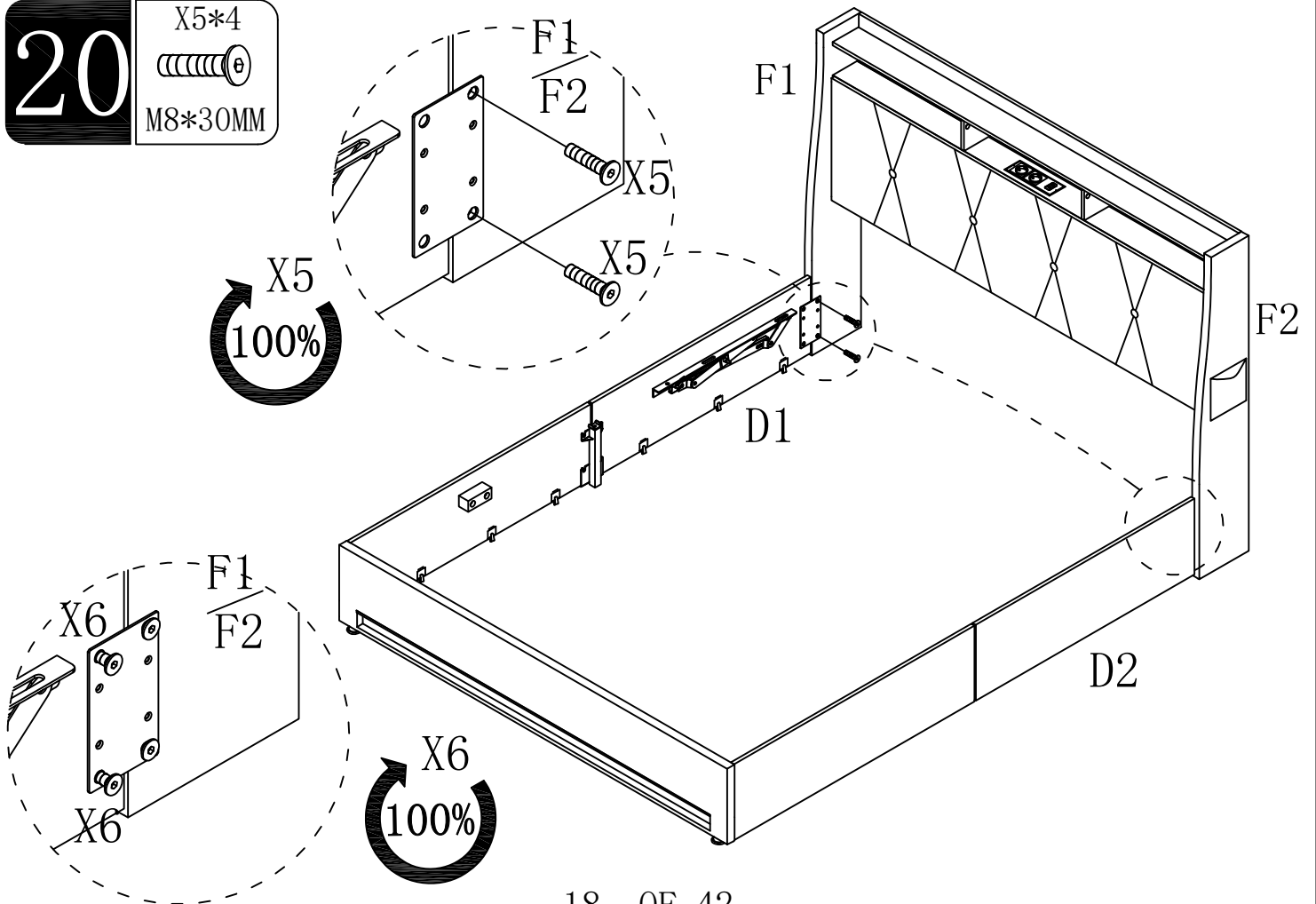
X4*6

 M8*30MM





19 X4*4
M8*30MM

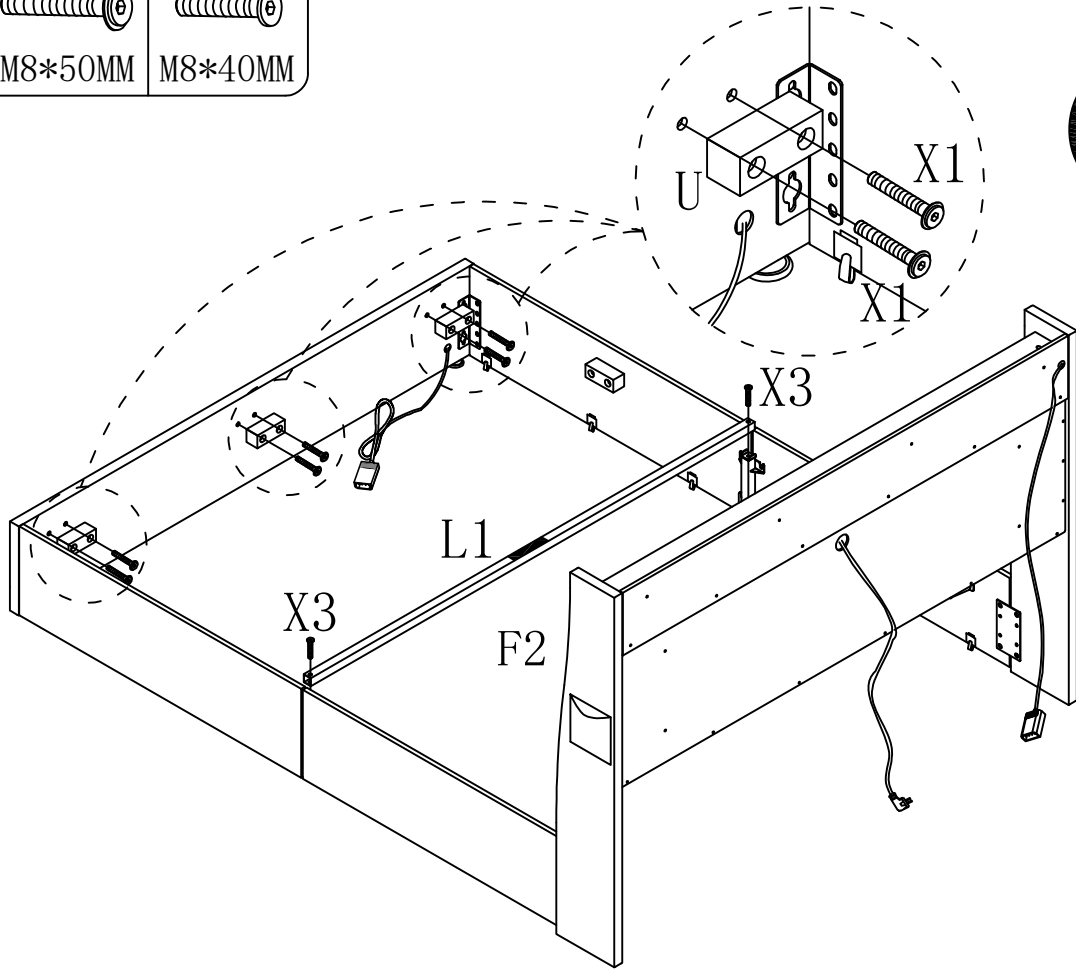


20 X5*4
M8*30MM




21

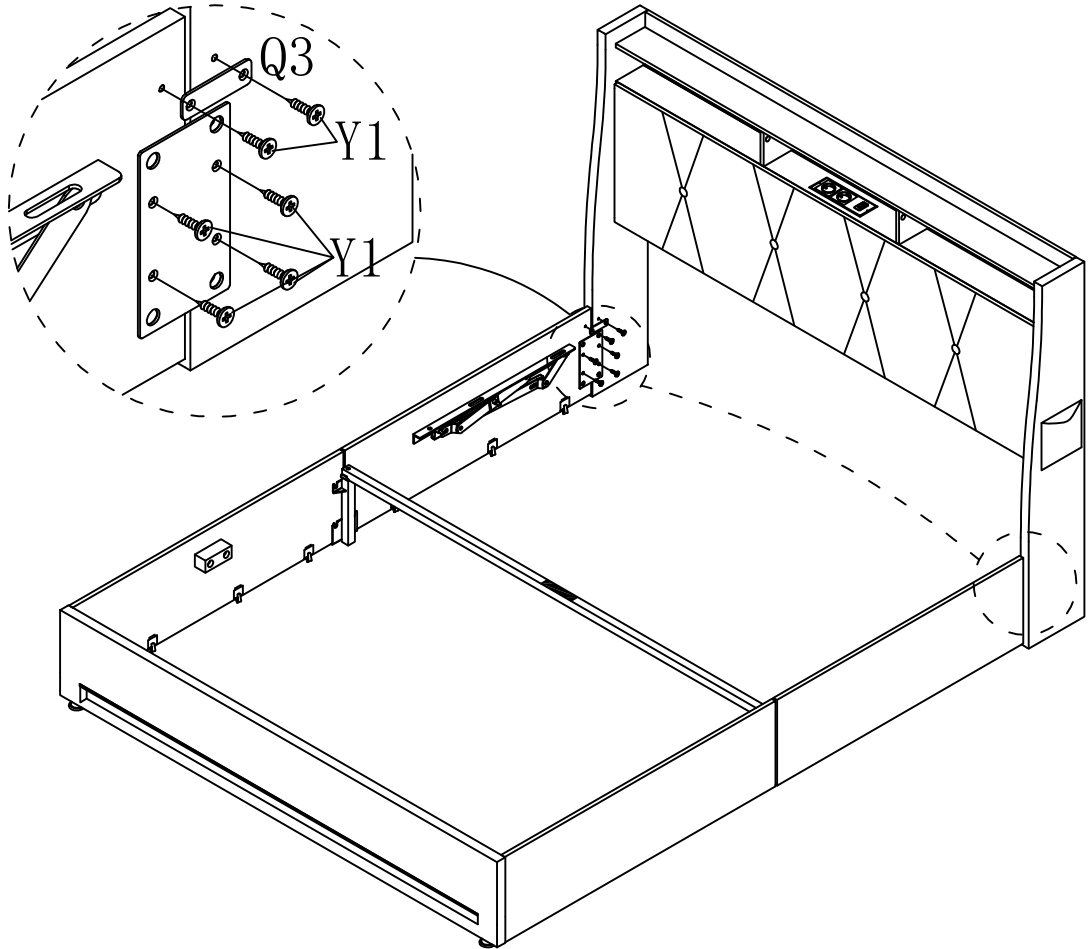
X1*6  M8*50MM	X3*2  M8*40MM
--	--



100%

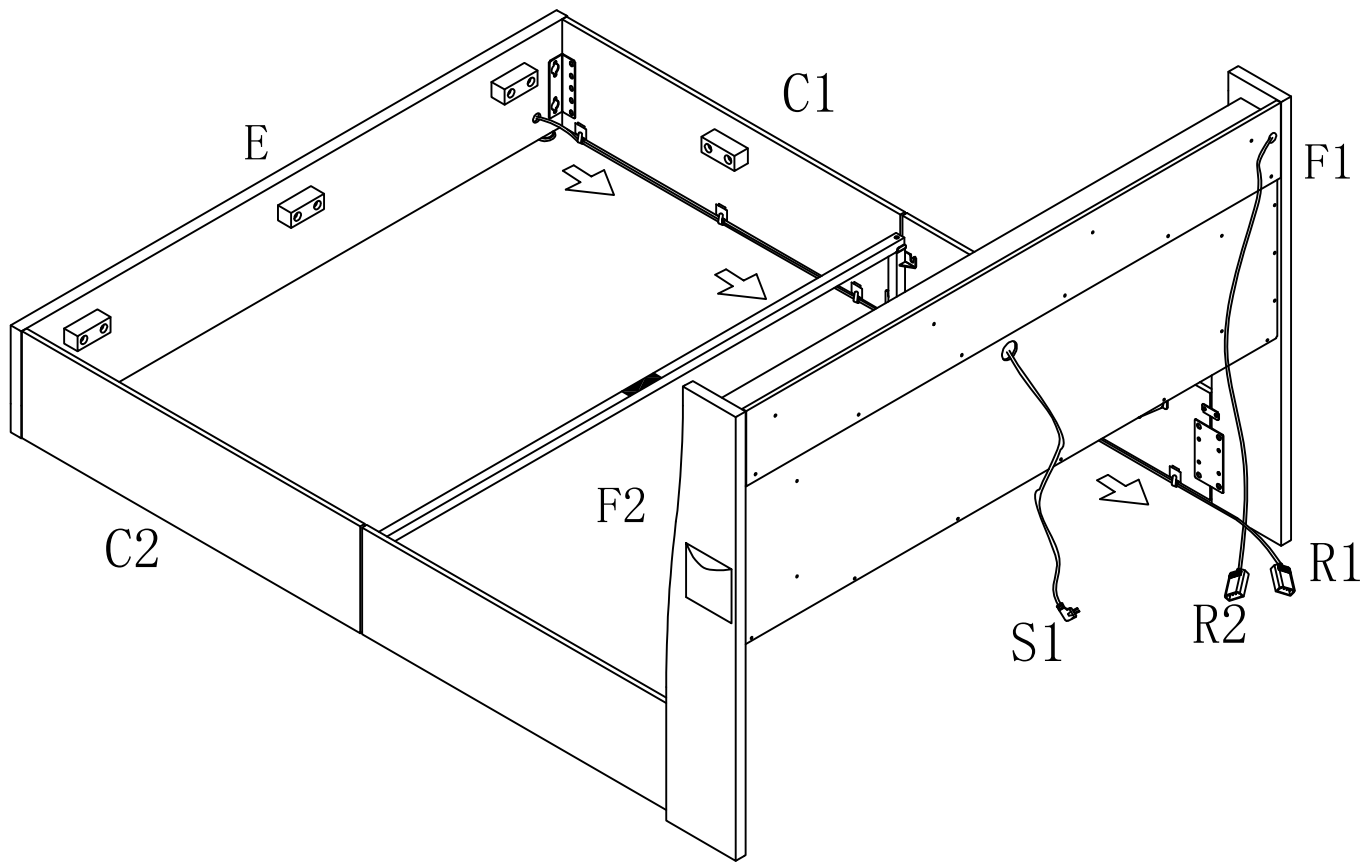
22

Y1*12  M4*14MM



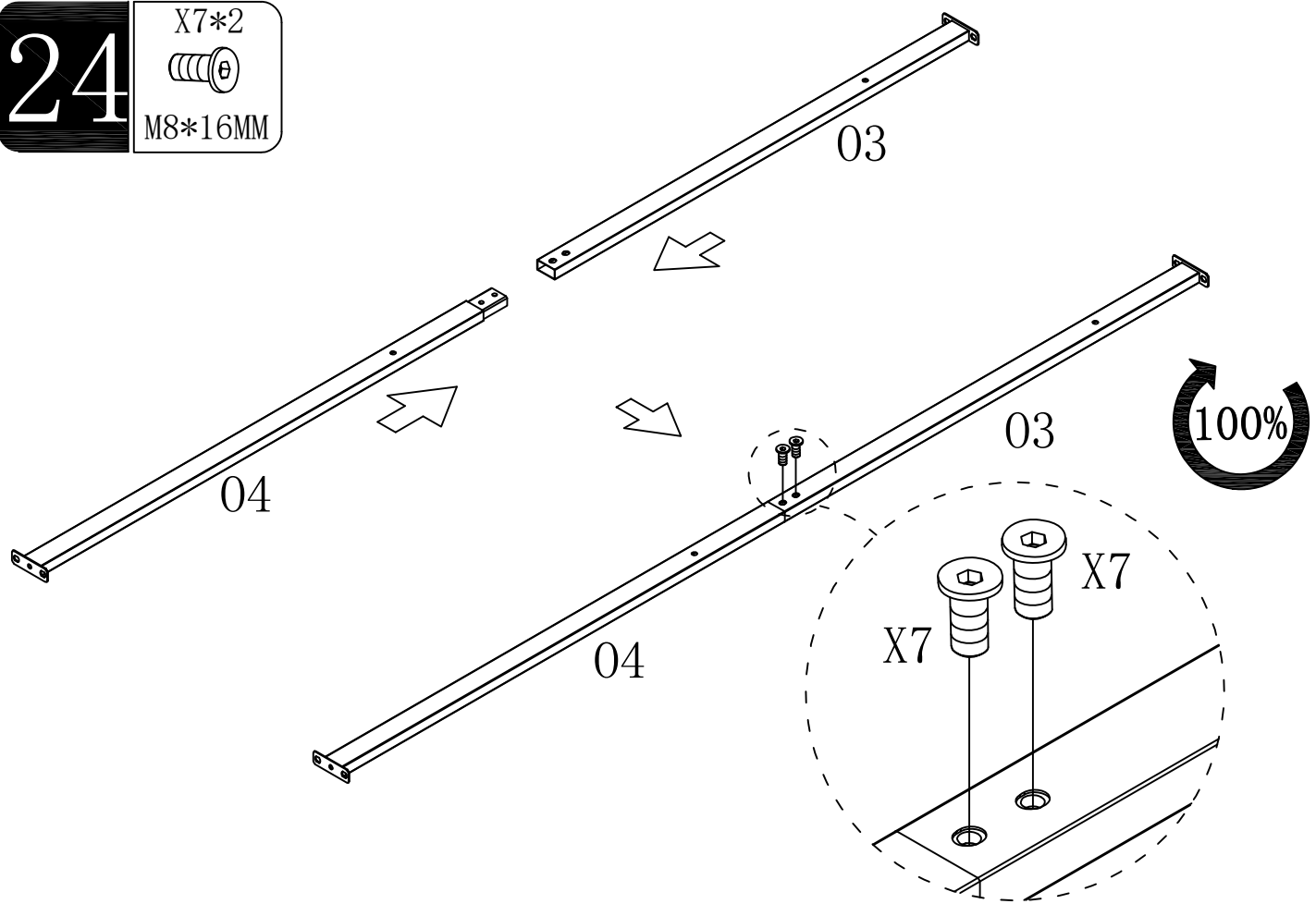
100%

23

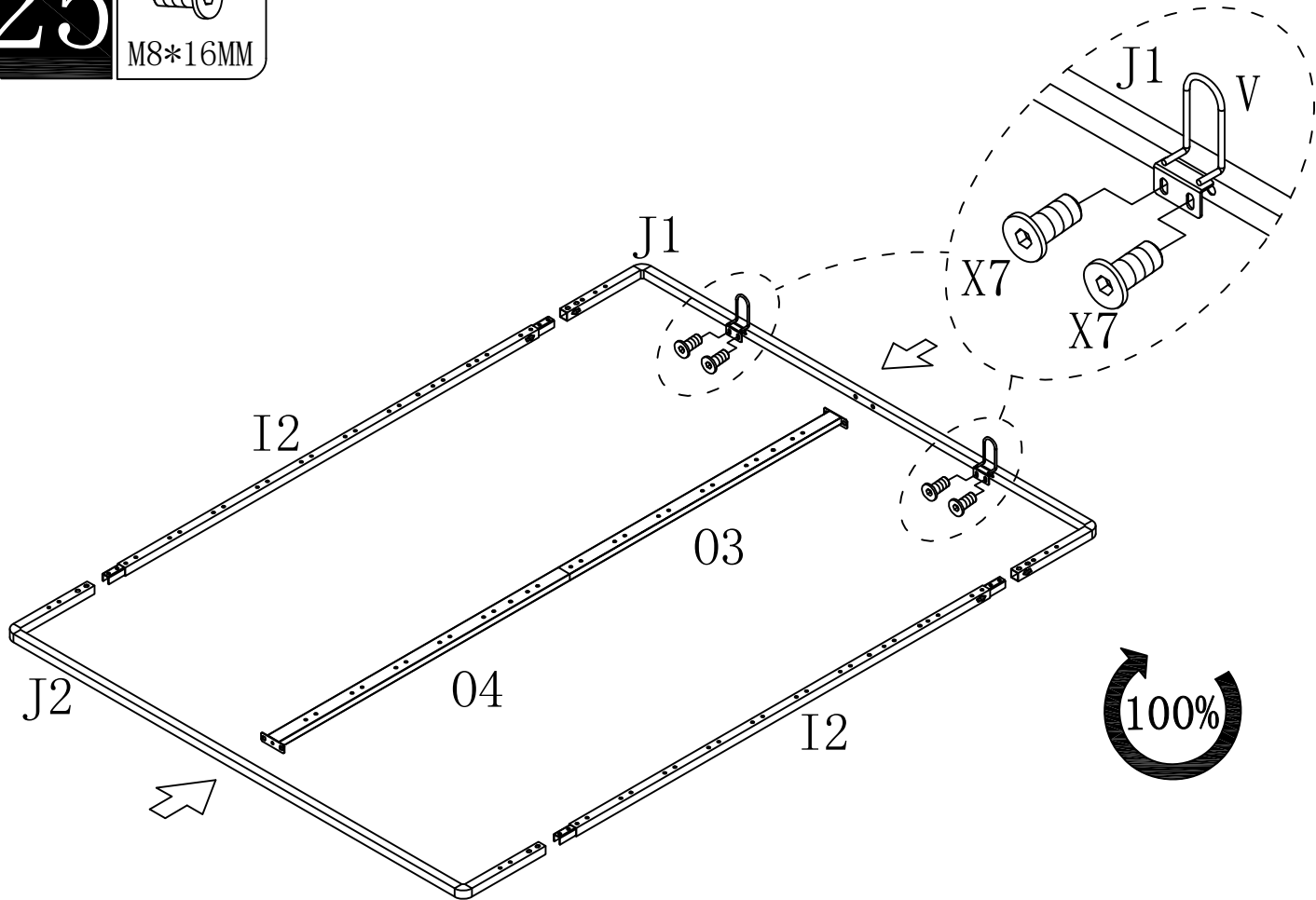


24

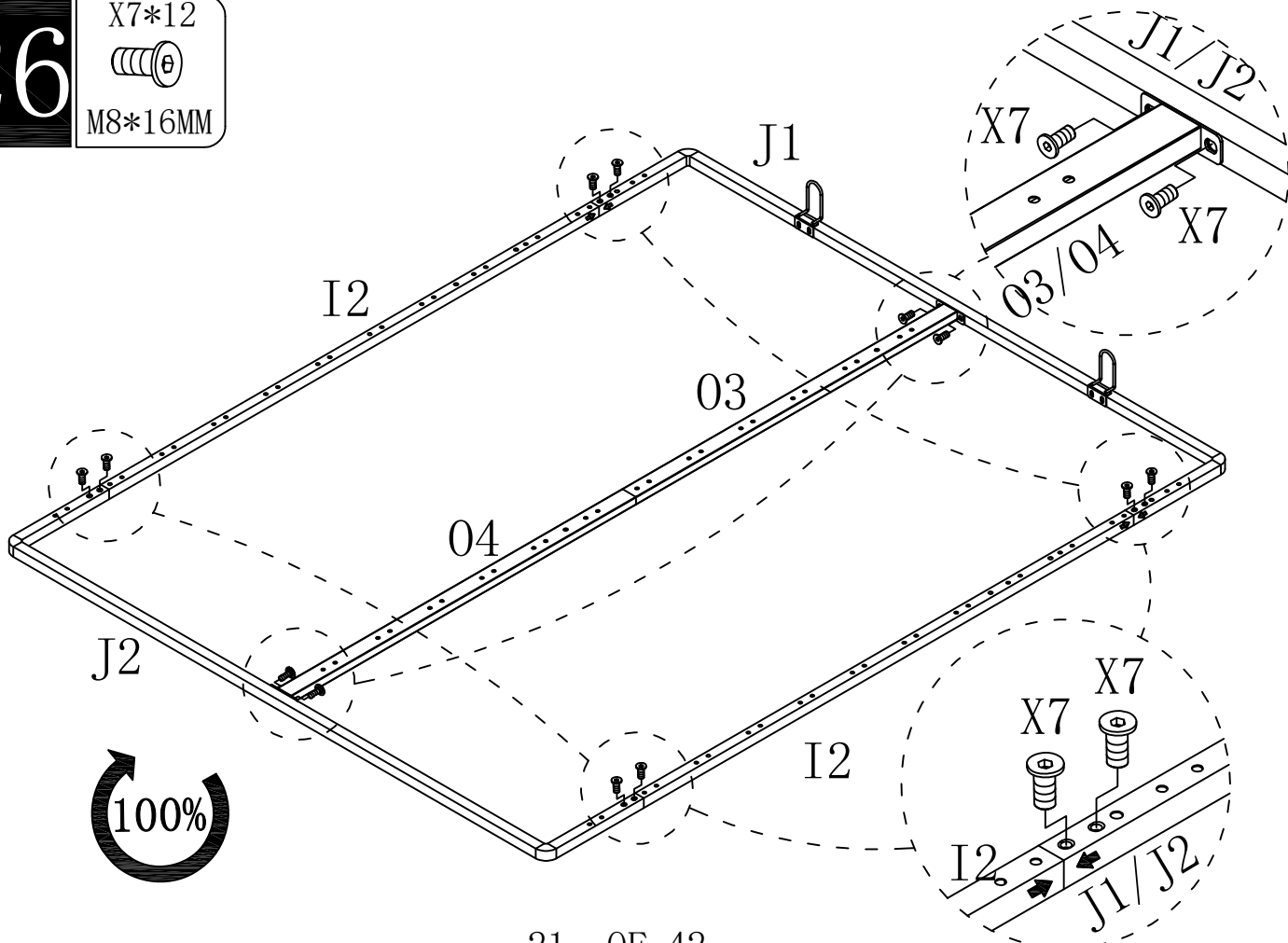
X7*2
M8*16MM



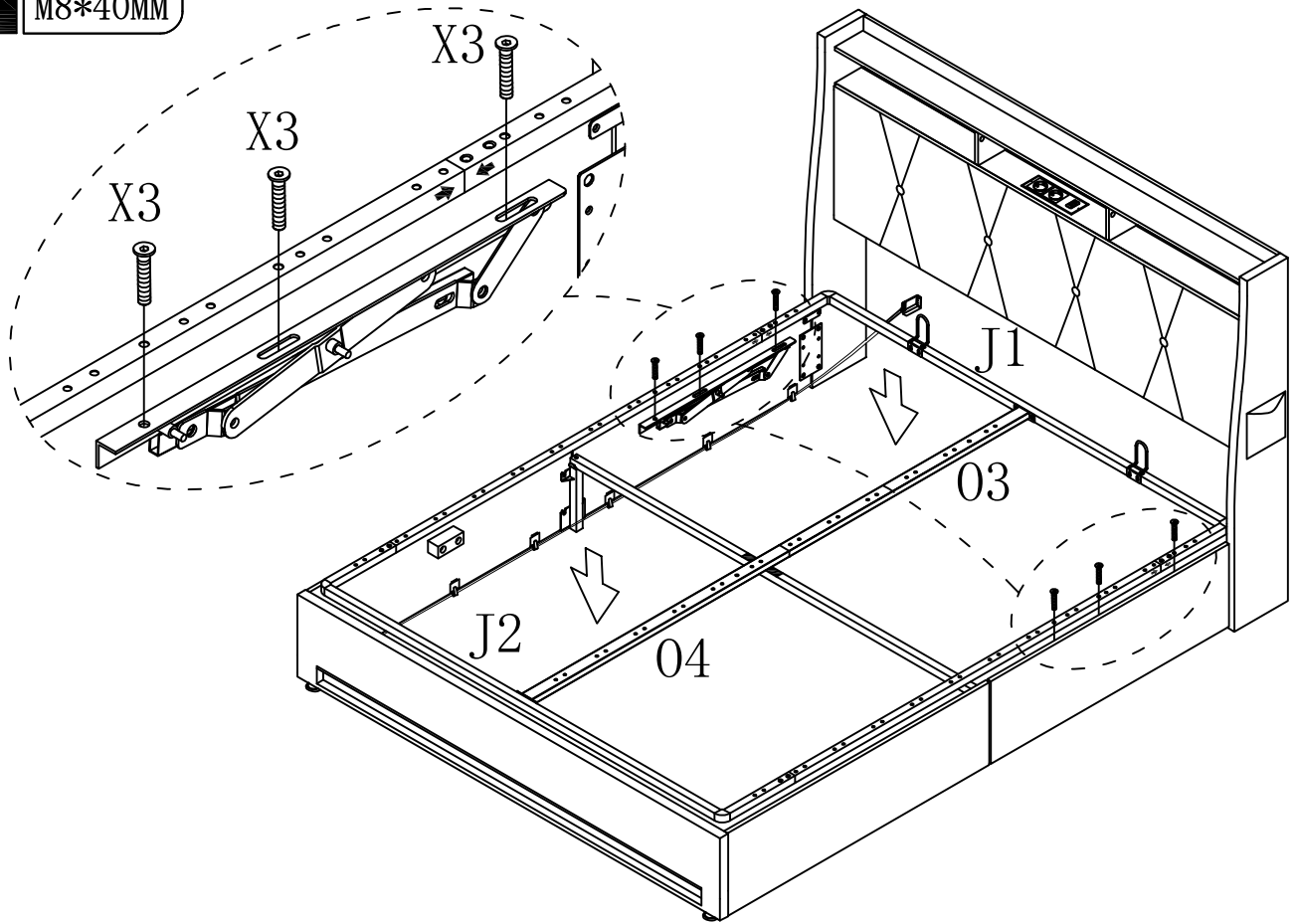
25 X7*4
M8*16MM



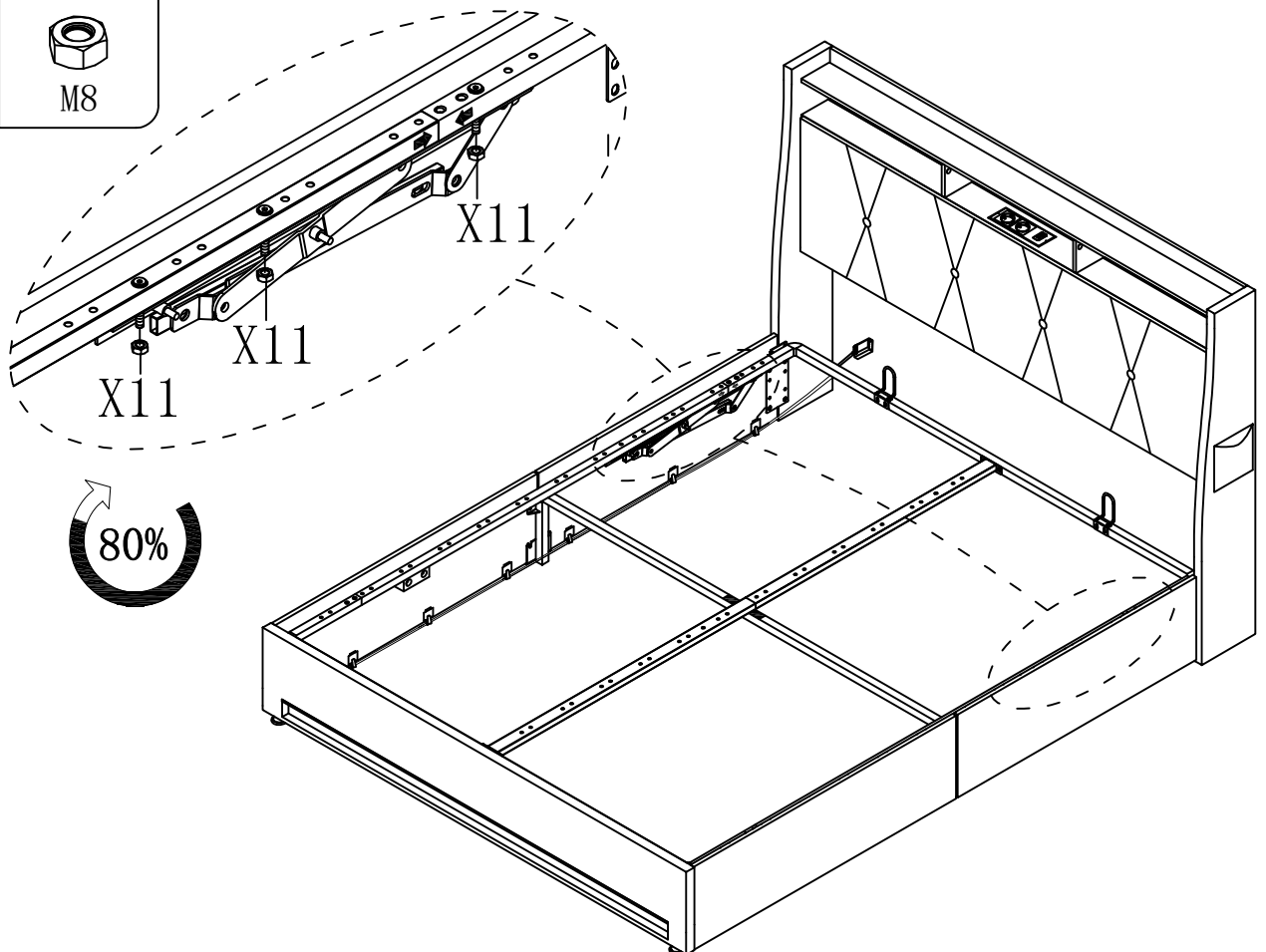
26 X7*12
M8*16MM



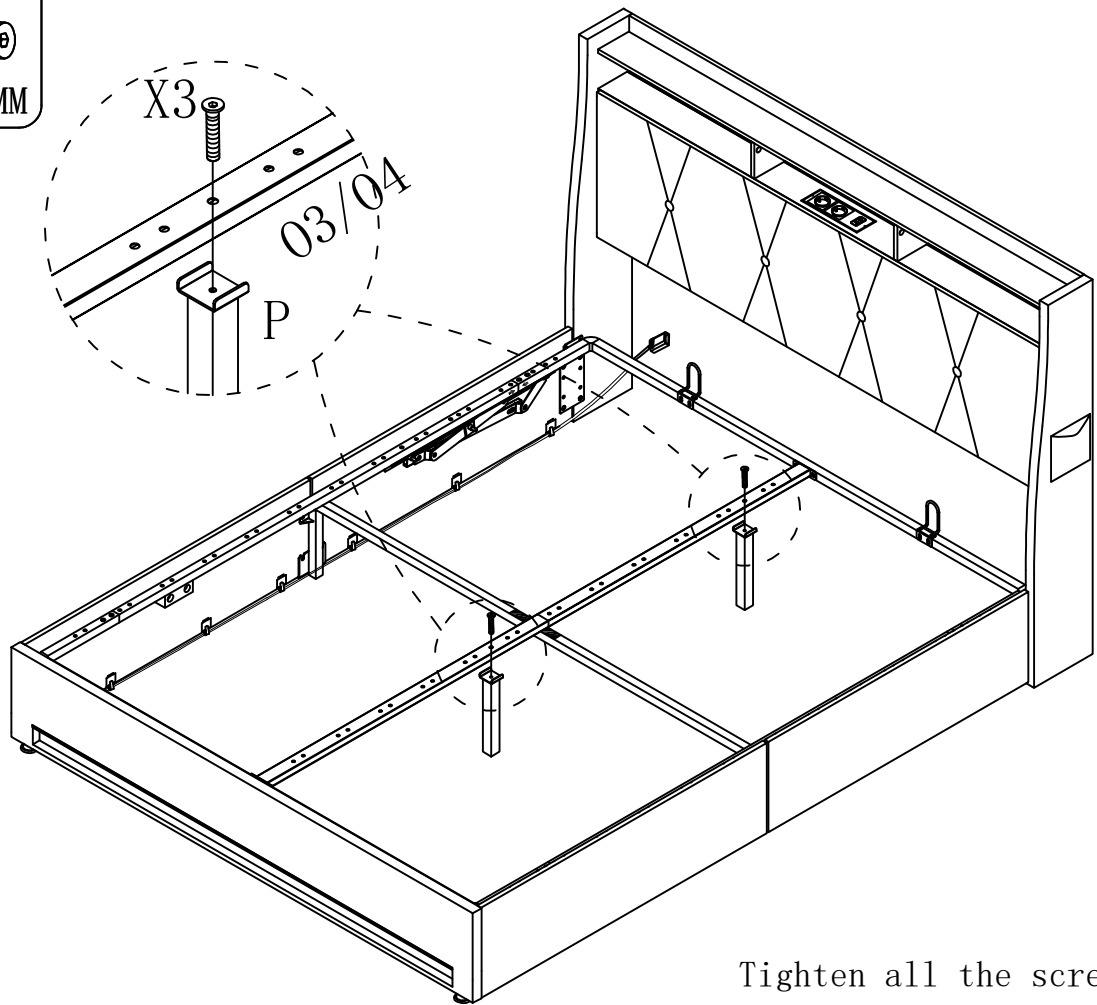
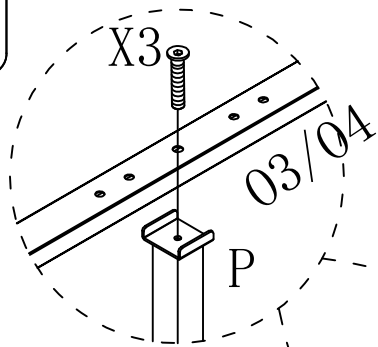
27 X3*6
M8*40MM



28 X11*6
M8

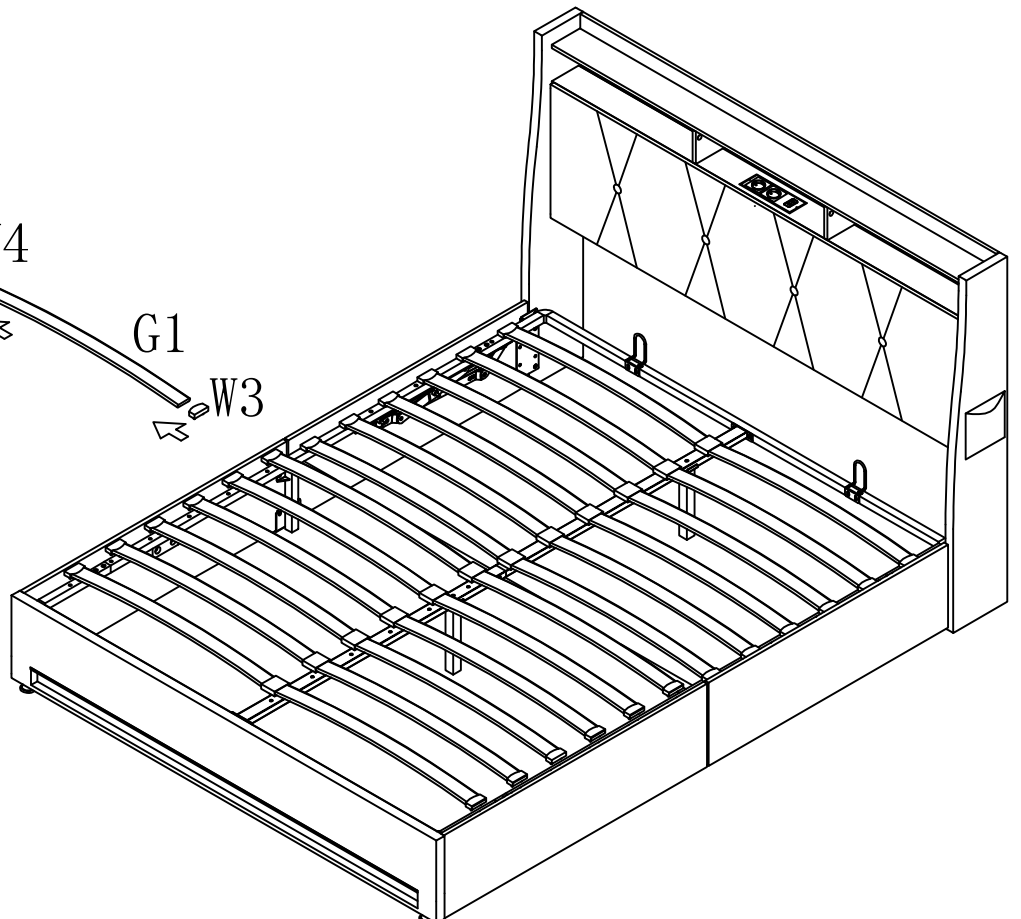
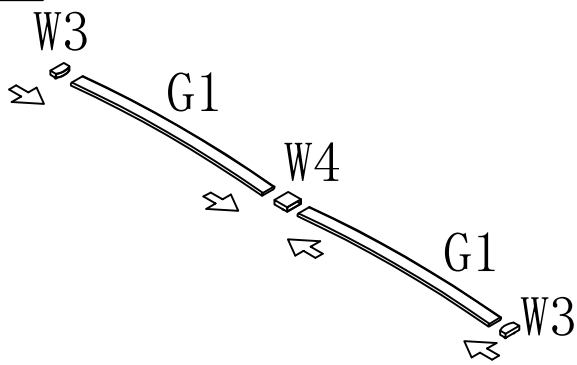


29 X3*2
M8*40MM



Tighten all the screws.

30

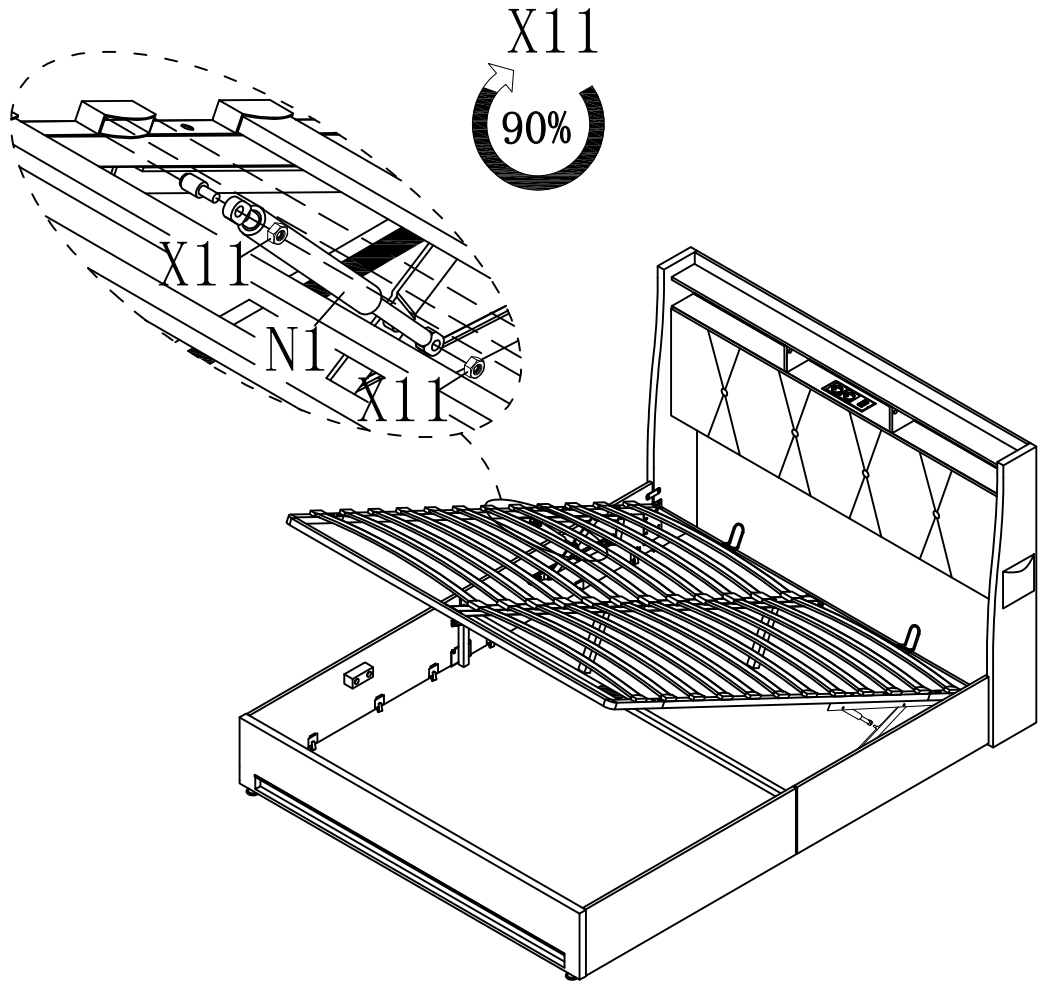


31

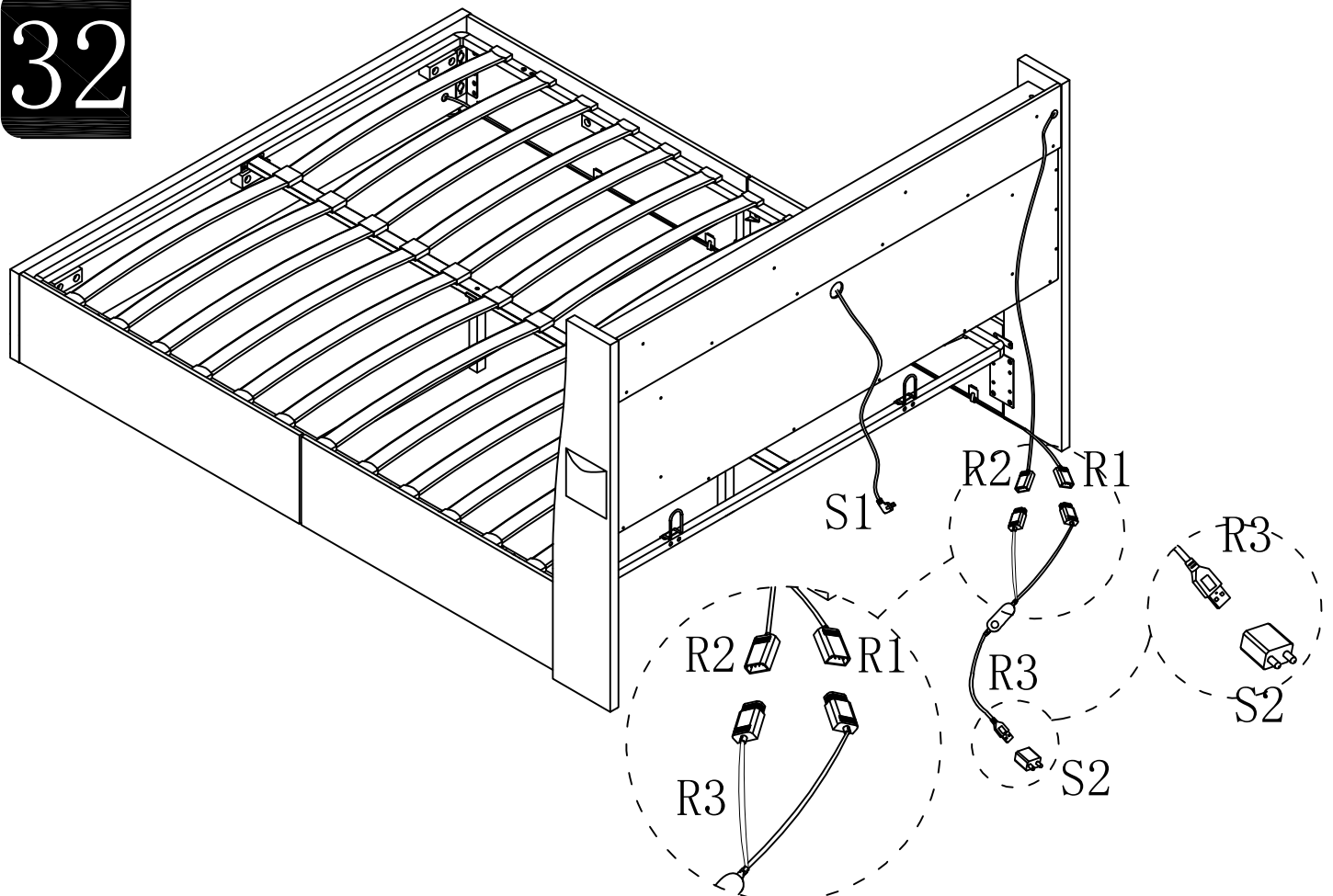
X11*4

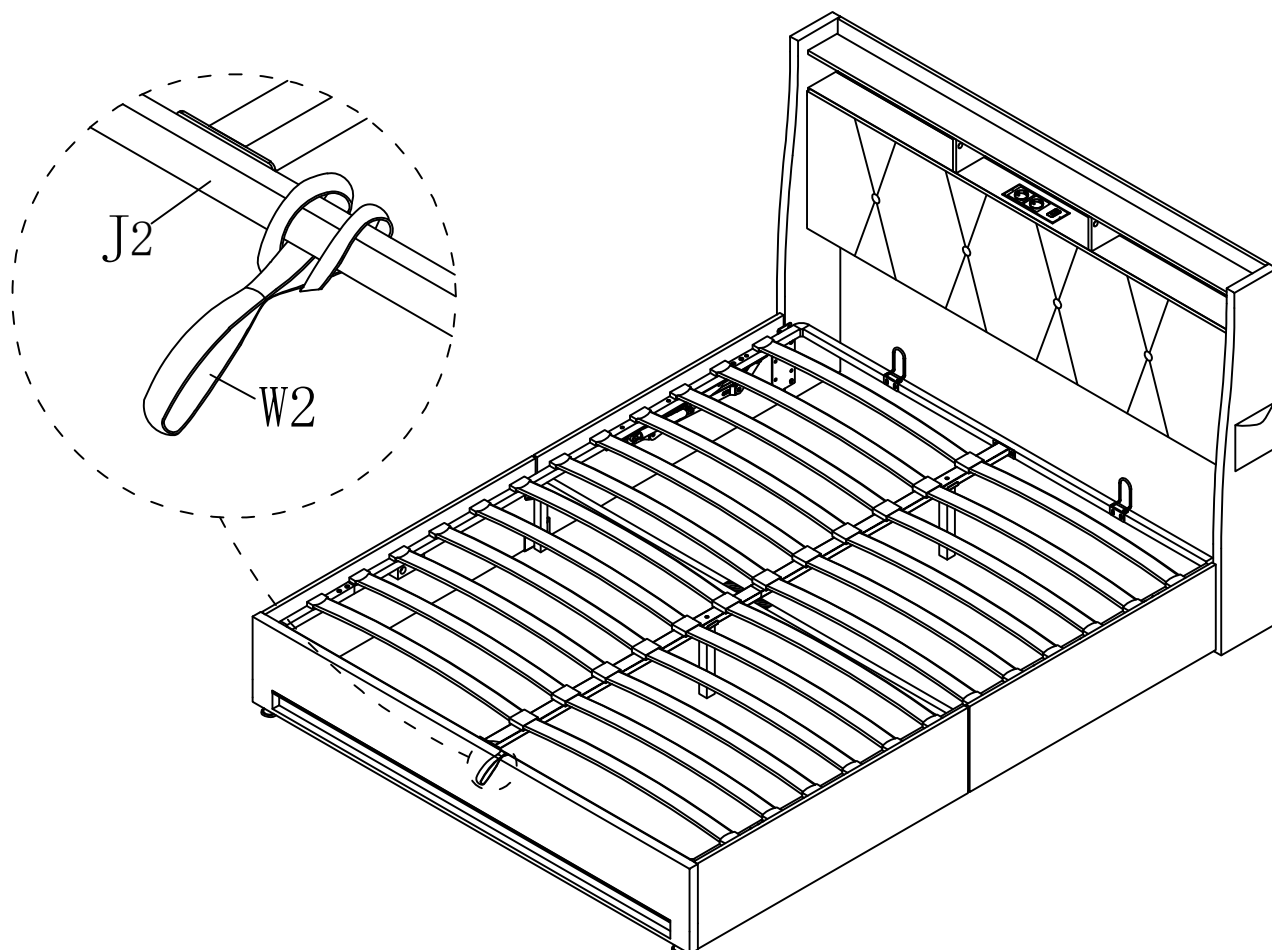


M8



32





IMPORTANT NOTICE

OTTOMAN OPERATING INSTRUCTIONS

Once your bed frame is completely assembled, the slat unit will not operate correctly unless a mattress is placed on the slat frame. Position the mattress on the slat frame whilst it is in the closed position.

PLEASE NOTE - It takes a lot of force to make the initial movement of the ottoman. This is a design feature of the product so that it does not fall shut - the nearer to being closed the ottoman is, the easier it is to move. When the ottoman is almost shut, it will close completely under its own weight.

When lowering the slat unit for the first time, take care to make sure it does not rub unevenly on the inside face of the side rails. If it does, the bed has been assembled slightly out of square. This can be rectified by moving the foot end of the bed slightly to the left or right whilst leaving the head end stationary.

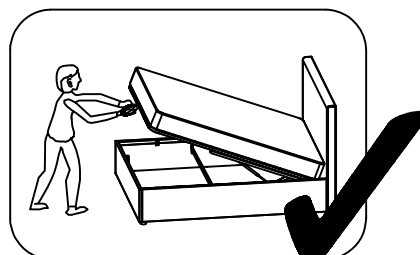
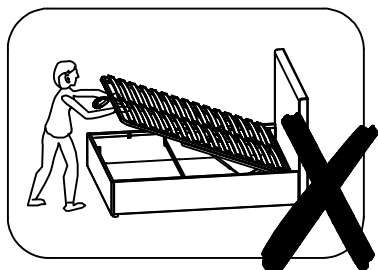
PISTONS

The pistons used in the construction of this product are extremely strong and cannot be operated by hand when taken off the ottoman. All pistons are tested for correct pressure and operation before being attached to the slat unit.

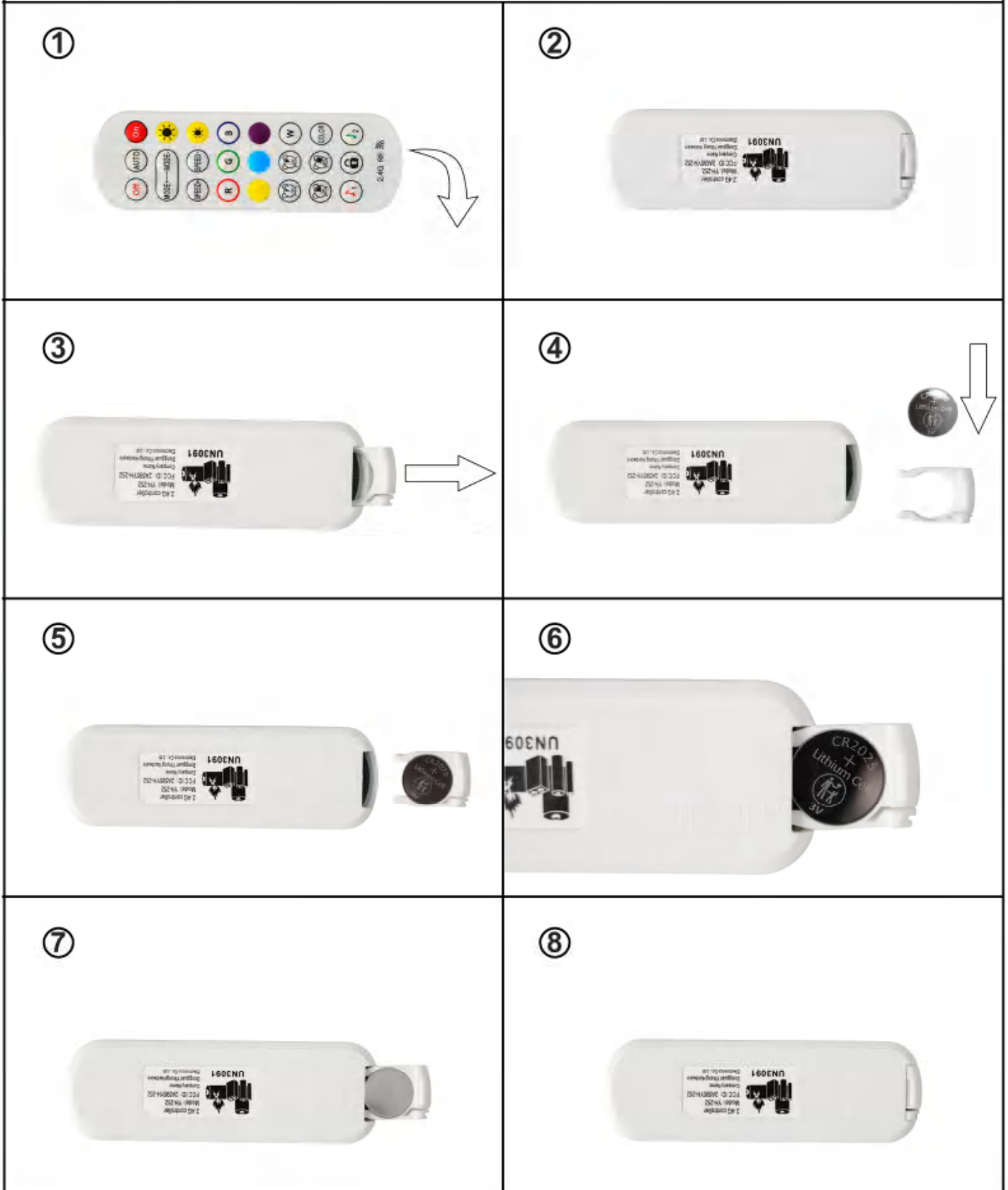
Initially it might appear that the pistons are very stiff when opening and closing the ottoman.

THIS IS PERFECTLY NORMAL

When fully assembled and the mattress is in position, please raise and lower the ottoman 4/5 times to ensure the gas piston are fully lubricated.



- GB** – NOTE: The battery in the remote control requires you to purchase and install it yourself.
Model: CR2025 3.V
- DE** – HINWEIS: Die Batterie in der Fernbedienung müssen Sie selbst kaufen und installieren
Modell: CR2025 3.V
- FR** – REMARQUE : la pile de la télécommande doit être achetée et installée par vos soins.
Modèle : CR2025 3.V
- IT** – NOTA: la batteria del telecomando deve essere acquistata e installata autonomamente.
Modello: CR2025 3.V
- ES** – NOTA: La pila del mando a distancia debe comprarla e instalarla usted mismo.
Modelo CR2025 3.V





Product Service

Attestation of Conformity

No. N8A 120613 0002 Rev. 00

Holder of Attestation: DONGGUAN BAIYOU ELECTRONIC CO.,LTD2F A Building Wufeng Industrial, Jintan Road, Shijie Town
523290 Dongguan City
PEOPLE'S REPUBLIC OF CHINA**Product: Multiple Socket Outlets**

This Attestation of Conformity is issued on a voluntary basis according to the Low Voltage Directive 2014/35/EU relating to electrical equipment designed for use within certain voltage limits. It confirms that the listed equipment complies with the principal protection requirements of the directive and is based on the technical specifications applicable at the time of issuance. It refers only to the particular sample submitted for conformity assessment. For details see: www.tuvsud.com/ps-cert

Test report no.: 874102337701-00**Date,** 2023-09-06

(Jie Zhu)

Page 1 of 3

This Attestation does not replace the regulatory EU Declaration of Conformity (DoC) and does not allow for CE marking. After preparation of the necessary documentation and establishing compliance to requirements of all applicable directives, the manufacturer may sign a DoC and apply the CE marking. The DoC is issued under the sole responsibility of the manufacturer.



TÜV SÜD Product Service GmbH • Ridlerstraße 65 • 80339 Munich • Germany



Product Service

Attestation of Conformity

No. N8A 120613 0002 Rev. 00

Model(s): **BY213-G011Y, BY213-G011Y-C, BY213-G021Y, BY213-G021Y-C, BY213-G031Y, BY213-G031Y-C, BY213-G041Y, BY213-G041Y-C**

Parameters:

Rated voltage: 250V~
 Rated frequency: 50Hz
 Rated current: 16A
 Protection class: I
 Degree of protection: IP20
 Type of cable: H05VV-F 3G1.0mm² or H05VV-F 3G1.5mm²
 Remark: For BY213-G011Y, BY213-G021Y, BY213-G031Y, BY213-G041Y:
 USB rated output voltage:5.0VDC
 USB rated output current:
 Single Type A: 2.1A max
 Type A + Type A: 2.1A max

For BY213-G011Y-C, BY213-G021Y-C, BY213-G031Y-C, BY213-G041Y-C:
 USB rated output voltage:5.0VDC
 USB rated output current:
 Single Type A: 3.0A max
 Single Type C: 3.0A max
 Type A + Type C: 3.1A max
 USB rated output voltage:9.0VDC
 USB rated output current:
 Single Type A: 2.0A max
 Single Type C: 2.22A max
 USB rated output voltage:12.0VDC
 USB rated output current:
 Single Type A:1.5A max
 Single Type C: 1.67A max

Page 2 of 3

This Attestation does not replace the regulatory EU Declaration of Conformity (DoC) and does not allow for CE marking. After preparation of the necessary documentation and establishing compliance to requirements of all applicable directives, the manufacturer may sign a DoC and apply the CE marking. The DoC is issued under the sole responsibility of the manufacturer.



TÜV SÜD Product Service GmbH • Ridlerstraße 65 • 80339 Munich • Germany



Product Service

Attestation of Conformity

No. N8A 120613 0002 Rev. 00

Model	Number of socket-outlets	With two USB ports, type A +type A	With two USB ports, type A +type C
BY213-G011Y	1	Yes	No
BY213-G011Y-C	1	No	Yes
BY213-G021Y	2	Yes	No
BY213-G021Y-C	2	No	Yes
BY213-G031Y	3	Yes	No
BY213-G031Y-C	3	No	Yes
BY213-G041Y	4	Yes	No
BY213-G041Y-C	4	No	Yes

Tested according to:

IEC 60884-1:2002
 IEC 60884-1:2002/AMD1:2006
 IEC 60884-1:2002/AMD2:2013
 IEC 60884-2-7:2011
 IEC 60884-2-7:2011/AMD1:2013
 SS 428 08 34:2013/T1:2018

Page 3 of 3

This Attestation does not replace the regulatory EU Declaration of Conformity (DoC) and does not allow for CE marking. After preparation of the necessary documentation and establishing compliance to requirements of all applicable directives, the manufacturer may sign a DoC and apply the CE marking. The DoC is issued under the sole responsibility of the manufacturer.



TÜV SÜD Product Service GmbH • Ridlerstraße 65 • 80339 Munich • Germany



Product Service

Attestation of Conformity

No. N8A 120613 0002 Rev. 01

Holder of Attestation: **DONGGUAN BAIYOU ELECTRONIC CO.,LTD**

2F A Building Wufeng Industrial, Jintan Road, Shijie Town
523290 Dongguan City
PEOPLE'S REPUBLIC OF CHINA

Product: **Multiple Socket Outlets**

This Attestation of Conformity is issued on a voluntary basis according to the Low Voltage Directive 2014/35/EU relating to electrical equipment designed for use within certain voltage limits. It confirms that the listed equipment complies with the principal protection requirements of the directive and is based on the technical specifications applicable at the time of issuance. It refers only to the particular sample submitted for conformity assessment. For details see: www.tuvsud.com/ps-cert

Test report no.: 874102337701-01

Date, 2024-07-18

(Jie Zhu)

Page 1 of 5

This Attestation does not replace the regulatory EU Declaration of Conformity (DoC) and does not allow for CE marking. After preparation of the necessary documentation and establishing compliance to requirements of all applicable directives, the manufacturer may sign a DoC and apply the CE marking. The DoC is issued under the sole responsibility of the manufacturer.

TUV SUD Product Service GmbH • Ridlerstraße 65 • 80339 Munich • Germany





Product Service

Attestation of Conformity

No. N8A 120613 0002 Rev. 01

Model(s): BY213-G011Y, BY213-G011Y-C,
 BY213-G021Y, BY213-G021Y-C,
 BY213-G031Y, BY213-G031Y-C,
 BY213-G041Y, BY213-G041Y-C,
 BY213-G01K, BY213-G02K,
 BY213-G03K, BY213-G031K,
 BY213-G031K-C, BY213-G04K,
 BY213-G041K, BY213-G041K-C,
 BY213-G01K-Y, BY213-G02K-Y,
 BY213-G03K-Y, BY213-G031K-Y,
 BY213-G031K-C-Y, BY213-G04K-Y,
 BY213-G041K-Y, BY213-G041K-C-Y,
 BY213-G011Y-Y, BY213-G011Y-C-Y,
 BY213-G021Y-Y, BY213-G021Y-C-Y,
 BY213-G031Y-Y, BY213-G031Y-C-Y,
 BY213-G041Y-Y, BY213-G041Y-C-Y.

Parameters:

Rated voltage:	250V~
Rated frequency:	50Hz
Rated current:	16A
Protection class:	I
Degree of protection:	IP20
Type of cable:	H05VV-F 3G1.0mm ² or H05VV-F 3G1.5mm ²

Page 2 of 5

This Attestation does not replace the regulatory EU Declaration of Conformity (DoC) and does not allow for CE marking. After preparation of the necessary documentation and establishing compliance to requirements of all applicable directives, the manufacturer may sign a DoC and apply the CE marking. The DoC is issued under the sole responsibility of the manufacturer.

TUV SUD Product Service GmbH • Rüdlerstraße 65 • 80339 Munich • Germany





Product Service

Attestation of Conformity

No. N8A 120613 0002 Rev. 01

Remark:

For BY213-G011Y, BY213-G021Y, BY213-G031Y,
 BY213-G041Y, BY213-G031K, BY213-G041K,
 BY213-G031K-Y, BY213-G041K-Y, BY213-G011Y-Y,
 BY213-G021Y-Y, BY213-G031Y-Y, BY213-G041Y-Y:
 USB rated output voltage:5.0VDC
 USB rated output current:
 Single Type A: 2.1A max
 Type A + Type A: 2.1A max

For BY213-G011Y-C, BY213-G021Y-C, BY213-G031Y-C,
 BY213-G041Y-C, BY213-G031K-C, BY213-G041K-C,
 BY213-G031K-C-Y, BY213-G041K-C-Y, BY213-G011Y-C-Y,
 BY213-G021Y-C-Y, BY213-G031Y-C-Y, BY213-G041Y-C-Y:
 USB rated output voltage:5.0VDC
 USB rated output current:
 Single Type A: 3.0A max
 Single Type C: 3.0A max
 Type A + Type C: 3.1A max
 USB rated output voltage:9.0VDC
 USB rated output current:
 Single Type A: 2.0A max
 Single Type C: 2.22A max
 USB rated output voltage:12.0VDC
 USB rated output current:
 Single Type A:1.5A max
 Single Type C: 1.67A max

**Tested
 according to:**

IEC 60884-1:2002
 IEC 60884-1:2002/AMD1:2006
 IEC 60884-1:2002/AMD2:2013
 IEC 60884-2-7:2011
 IEC 60884-2-7:2011/AMD1:2013
 SS 428 08 34:2013/T1:2018

Page 3 of 5

This Attestation does not replace the regulatory EU Declaration of Conformity (DoC) and does not allow for CE marking. After preparation of the necessary documentation and establishing compliance to requirements of all applicable directives, the manufacturer may sign a DoC and apply the CE marking. The DoC is issued under the sole responsibility of the manufacturer.

TÜV SÜD Product Service GmbH • Ridlerstraße 65 • 80339 Munich • Germany



Product Service

Attestation of Conformity

No. N8A 120613 0002 Rev. 01

Model	Number of 16A socket-outlets	Number of 2.5A socket-outlets	With two USB ports, type A +type A	With two USB ports, type A +type C	With CBE
BY213-G011Y	1	-	Yes	No	No
BY213-G011Y-C	1	-	No	Yes	No
BY213-G021Y	2	-	Yes	No	No
BY213-G021Y-C	2	-	No	Yes	No
BY213-G031Y	3	-	Yes	No	No
BY213-G031Y-C	3	-	No	Yes	No
BY213-G041Y	4	-	Yes	No	No
BY213-G041Y-C	4	-	No	Yes	No
BY213-G01K	1	-	No	No	Yes
BY213-G02K	2	-	No	No	Yes
BY213-G03K	3	-	No	No	Yes
BY213-G031K	3	-	Yes	No	Yes
BY213-G031K-C	3	-	No	Yes	Yes
BY213-G04K	4	-	No	No	Yes
BY213-G041K	4	-	Yes	No	Yes
BY213-G041K-C	4	-	No	Yes	Yes
BY213-G01K-Y	1	1	No	No	Yes
BY213-G02K-Y	2	1	No	No	Yes
BY213-G03K-Y	3	1	No	No	Yes
BY213-G031K-Y	3	1	Yes	No	Yes
BY213-G031K-C-Y	3	1	No	Yes	Yes
BY213-G04K-Y	4	1	No	No	Yes
BY213-G041K-Y	4	1	Yes	No	Yes
BY213-G041K-C-Y	4	1	No	Yes	Yes
BY213-G011Y-Y	1	1	Yes	No	No
BY213-G011Y-C-Y	1	1	No	Yes	No

Page 4 of 5

This Attestation does not replace the regulatory EU Declaration of Conformity (DoC) and does not allow for CE marking. After preparation of the necessary documentation and establishing compliance to requirements of all applicable directives, the manufacturer may sign a DoC and apply the CE marking. The DoC is issued under the sole responsibility of the manufacturer.

TUV SUD Product Service GmbH • Ridlerstraße 65 • 80339 Munich • Germany





Product Service

Attestation of Conformity

No. N8A 120613 0002 Rev. 01

Model	Number of 16A socket-outlets	Number of 2.5A socket-outlets	With two USB ports, type A +type A	With two USB ports, type A +type C	With CBE
BY213-G021Y-Y	2	1	Yes	No	No
BY213-G021Y-C-Y	2	1	No	Yes	No
BY213-G031Y-Y	3	1	Yes	No	No
BY213-G031Y-C-Y	3	1	No	Yes	No
BY213-G041Y-Y	4	1	Yes	No	No
BY213-G041Y-C-Y	4	1	No	Yes	No

Page 5 of 5

This Attestation does not replace the regulatory EU Declaration of Conformity (DoC) and does not allow for CE marking. After preparation of the necessary documentation and establishing compliance to requirements of all applicable directives, the manufacturer may sign a DoC and apply the CE marking. The DoC is issued under the sole responsibility of the manufacturer.

TÜV SÜD Product Service GmbH • Ridlerstraße 65 • 80339 Munich • Germany





Product Service

Attestation of Conformity

No. E8A 120613 0001 Rev. 00

Holder of Attestation: **DONGGUAN BAIYOU ELECTRONIC CO.,LTD**

2F A Building Wufeng Industrial, Jintan Road, Shijie Town
523290 Dongguan City
PEOPLE'S REPUBLIC OF CHINA

Name of Object: **Multiple Socket Outlets**

Model(s): **BY213-G011Y, BY213-G021Y,
BY213-G031Y, BY213-G041Y,
BY213-BS011, BY213-BS021,
BY213-BS031, BY213-BS041**

Description of Object:

Rated input voltage: 250V~
Rated input frequency: 50Hz
Rated input current: 16A (BY213-G011Y, BY213-G021Y, BY213-G031Y, BY213-G041Y)
13A (BY213-BS011, BY213-BS021, BY213-BS031, BY213-BS041)
USB Rated output: 5Vd.c., 2.1A, 10.5W Max.
Protection class: I

Tested according to:

EN IEC 61000-6-1:2019
EN IEC 61000-6-3:2021

This Attestation of Conformity is issued on a voluntary basis according to the Directive 2014/30/EU relating to electromagnetic compatibility. It confirms that the listed apparatus complies with the principal protection requirements of the directive and is based on the technical specifications applicable at the time of issuance. It refers only to the particular sample submitted for conformity assessment. For details see: www.tuvsud.com/ps-cert

Test report no.: 878882337709-00

Date, 2023-09-05

(Jun Bao)

Page 1 of 1

This Attestation does not replace the regulatory EU Declaration of Conformity (DoC) and does not allow for CE marking. After preparation of the necessary documentation and establishing compliance to requirements of all applicable directives, the manufacturer may sign a DoC and apply the CE marking. The DoC is issued under the sole responsibility of the manufacturer.



TÜV SÜD Product Service GmbH • Ridlerstraße 65 • 80339 Munich • Germany



VERIFICATION OF CONFORMITY

Registration No.: psi2509009-C01-E01

CERTIFICATE ♦ CERTIFICATE ♦ CERTIFICATE ♦ CERTIFICATE ♦ CERTIFICATE

Report No. : psi2509009-C01-R01, psi2509009-C01-R02,
psi2509009-C01-R03

Applicant : Shenzhen Kingunion Lighting CO., LTD
Second Floor, No.1 Kaixinda Technology Park, No 49th

Address : Zhoushi Road, Langxin Community, Shiyan Town, Baoan
District, Shenzhen City, Guangdong, China

Manufacturer : Shenzhen Kingunion Lighting CO., LTD
Second Floor, No.1 Kaixinda Technology Park, No 49th

Address : Zhoushi Road, Langxin Community, Shiyan Town, Baoan
District, Shenzhen City, Guangdong, China

Product : LED strip

Model No. : See Appendix I

The submitted products have been tested by us according with the listed Standard(s) used for showing compliance with the essential requirements in the specified following European Directives and Standard(s):

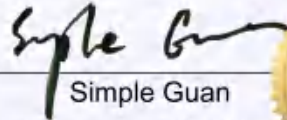
The Radio Equipment Directive (RED) 2014/53/EU


- ETSI EN 301 489-1 V2.2.3:2019
- ETSI EN 301 489-17 V3.3.1:2024
- ETSI EN 300 328 V2.2.2:2019
- EN 62479:2010

The test results apply only to the particular sample tested and to the specific tests carried out. This verification applies specifically to the sample investigated in our test reference number only.

RED

Certified by:


Simple Guan



Date:

September 17, 2025

The CE marking may only be used if all relevant and effective EC directives are complied with.



CERTIFICATE ♦ CERTIFICATE ♦ CERTIFICATE ♦ CERTIFICATE ♦ CERTIFICATE

VERIFICATION OF CONFORMITY

Registration No.: psi2509009-C01-E01

Appendix I

Report No. : psi2509009-C01-R01, psi2509009-C01-R02,
psi2509009-C01-R03, psi2509009-C01-R04

Applicant : Shenzhen Kingunion Lighting CO., LTD

Address : Second Floor, No.1 Kaixinda Technology Park, No 49th
Zhoushi Road, Langxin Community, Shiyao Town, Baoan
District, Shenzhen City, Guangdong, China

Product : LED strip
KU-5050-30D-RGB-5V-0.3M(P0556),
KU-5050-30D-RGB-5V-1.1+0.83M(P0511),
KU-5050-30D-RGB-5V-2*0.43M(P0558),
KU-5050-30D-RGB-5V-0.96M(P0559),
KU-5050-30D-RGB-5V-1.26M(P0560),
KU-5050-30D-RGB-5V-0.83M(P0736),
KU-5050-30D-RGB-5V-1.06M(P0754),
KU-5050-30D-RGB-5V-1.06M(P0683),
KU-5050-30D-RGB-5V-1.26M(P0684),

Model No. : KU-5050-30D-RGB-5V-1.43M(P0766),
KU-5050-30D-RGB-5V-0.66M(P0768),
KU-5050-30D-RGB-5V-0.79M(P0769),
KU-5050-30D-RGB-5V-0.93M(P0770),
KU-5050-30D-RGB-5V-1M(P0771),
KU-5050-30D-RGB-5V-0.7M(P0772),
KU-5050-30D-RGB-5V-0.9M(P0773),
KU-5050-30D-RGB-5V-2*0.6M(P0776),
KU-5050-30D-RGB-5V-2*0.89M(P0790),
KU-5050-60D-RGB-5V, KU-5050TD-60D-RGB+WW



Certificate of Compliance

Certificate No. : WEB250402001RCC

Applicant : Shenzhen Kingunion Lighting Co., LTD

Address : Second Floor, 2# Building, Kaixinda Technology Park, No 49# Zhoushi Road, Langxin Village, Shiyan Town, Bao'an District, Shenzhen City, Guangdong

Manufacturer : Shenzhen Kingunion Lighting Co., LTD

Address : Second Floor, 2# Building, Kaixinda Technology Park, No 49# Zhoushi Road, Langxin Village, Shiyan Town, Bao'an District, Shenzhen City, Guangdong

Product : LED tape lights

Tested Model : KU-NE-0407-S-12V

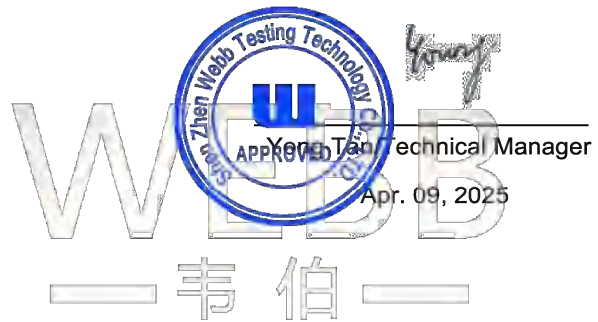
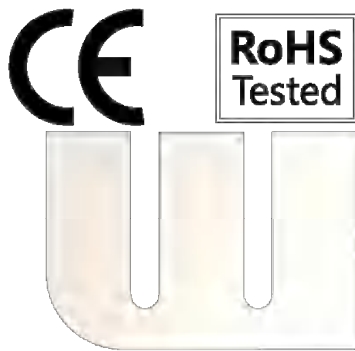
Model list : KU-NE-0408-S-12V, KU-NE-0410-S-12V, KU-NE-0508-S-12V, KU-NE-0510-S-12V, KU-NE-0513-S-12V, KU-NE-0612-S-12V, KU-NE-0613-S-12V, KU-NE-0714-S-12V, KU-NE-0816-S-12V, KU-NE-0817-S-12V, KU-NE-0907-S-12V, KU-NE-0922-S-12V, KU-NE-1010-S-12V, KU-NE-1023-S-12V, KU-NE-1020-S-12V, KU-NE-1212-S-12V, KU-NE-1220-S-12V, KU-NE-1225-S-12V, KU-NE-1515-S-12V, KU-NE-1616-S-12V, KU-NE-2020-S-12V, KU-NE-3030-S-12V, KU-NE-0606-T-12V, KU-NE-1005-T-12V, KU-NE-1010-T-12V, KU-NE-1107-T-12V, KU-NE-1205-T-12V, KU-NE-1212-T-12V, KU-NE-1405-T-12V, KU-NE-1415-T-12V, KU-NE-1515-T-12V, KU-NE-1516-T-12V, KU-NE-1616-T-12V, KU-NE-2018-T-12V, KU-NE-2020-T-12V, KU-NE-3020-T-12V, KU-NE-3030-T-12V, KU-NE-1616-D-12V, KU-NE-1818-D-12V, KU-NE-2222-D-12V, KU-NE-2323-D-12V, KU-NE-2626-D-12V, KU-NE-1010-R-12V, KU-NE-1212-R-12V, KU-NE-1515-R-12V, KU-NE-1616-R-12V, KU-COB-MONO-12V, KU-COB-CCT-12V, KU-COB-RGB-12V, KU-COB-RGBW-12V, KU-NE-XXXX-Y-12V, KU-NE-0407-S-24V, KU-NE-0408-S-24V, KU-NE-0410-S-24V, KU-NE-0508-S-24V, KU-NE-0510-S-24V, KU-NE-0513-S-24V, KU-NE-0612-S-24V, KU-NE-0613-S-24V, KU-NE-0714-S-24V, KU-NE-0816-S-24V, KU-NE-0817-S-24V, KU-NE-0907-S-24V, KU-NE-0922-S-24V, KU-NE-1010-S-24V, KU-NE-1023-S-24V, KU-NE-1020-S-24V, KU-NE-1212-S-24V, KU-NE-1220-S-24V, KU-NE-1225-S-24V, KU-NE-1515-S-24V, KU-NE-1616-S-24V, KU-NE-2020-S-24V, KU-NE-3030-S-24V, KU-NE-0606-T-24V, KU-NE-1005-T-24V, KU-NE-1010-T-24V, KU-NE-1107-T-24V, KU-NE-1205-T-24V, KU-NE-1212-T-24V, KU-NE-1405-T-24V, KU-NE-1415-T-24V, KU-NE-1515-T-24V, KU-NE-1516-T-24V, KU-NE-1616-T-24V, KU-NE-2018-T-24V, KU-NE-2020-T-24V, KU-NE-3020-T-24V, KU-NE-3030-T-24V, KU-NE-1616-D-24V, KU-NE-1818-D-24V, KU-NE-2222-D-24V, KU-NE-2323-D-24V, KU-NE-2626-D-24V, KU-NE-1010-R-24V, KU-NE-1212-R-24V, KU-NE-1515-R-24V, KU-NE-1616-R-24V, KU-COB-MONO-24V, KU-COB-CCT-24V, KU-COB-RGB-24V, KU-COB-RGBW-24V, KU-NE-XXXX-Y-24V, KU-3535-XXXD-RGB, KU-3838-XXXD-RGB, KU-5050-XXXD-RGB, KU-2528-XXXD-RGB, KU-4040-XXXD-RGB, KU-5050-XXXD-RGB+CCT, KU-3838-XXXD-RGB+CCT, KU-2835-XXXD-RGB+CCT, KU-3838+W-XXXD-RGB, KU-2835+W-XXXD-RGB, KU-5050+W-XXXD-RGB, KU-2216-XXXD-CW, KU-2525-XXXD-CW, KU-2025-XXXD-CW, KU-2835-XXXD-CW, KU-3014-XXXD-CW, KU-4040-XXXD-CW, KU-5730-XXXD-CW, KU-315-XXXD-CW, KU-2835-XXXD, KU-2216-XXXD, KU-2025-XXXD, KU-3528-XXXD, KU-315-XXXD, KU-3030-XXXD, KU-4040-XXXD, KU-5730-XXXD

Trade Mark

The above products have been tested by us with listed standards and found in compliance with the directive RoHS 2011/65/EU & its amendment Directive (EU) 2015/863. It is possible to use CE marking to demonstrate the compliance with this RoHS.

Test standards:	Report(s) Number	Issued By	Issued Date
IEC 62321-3-1:2013 IEC 62321-4:2013+AMD1:2017 IEC 62321-5:2013 IEC 62321-6:2015 IEC 62321-7-1:2015 IEC 62321-7-2:2017 IEC 62321-8:2017	WEB250402001RC	WEBB	Apr. 09, 2025

The statement is based on a single evaluation of one sample of above mentioned products. It does not imply an assessment of the whole production and does not permit the use of the test lab logo.



Shenzhen Webb Testing Technology Co., Ltd.

Tel: 86-755-23357269

Email: Info@webbtesting.com

[Http://www.webbtesting.com](http://www.webbtesting.com)



BST | A RELIABLE TESTING FOR TRUST
GLOBAL TESTING AND CERTIFICATION SERVICES SINCE 1982

Certificate of Compliance

Certificate Number: BSTDG210115689301CC

Applicant : SHENZHEN BAOCHANGTONG TECHNOLOGY CO.,LTD
2nd Floor, Building A, Xinxiong Industrial Zone, No.157 Gushu First Road, Bao'an District, Shenzhen

Manufacturer : SHENZHEN BAOCHANGTONG TECHNOLOGY CO.,LTD
2nd Floor, Building A, Xinxiong Industrial Zone, No.157 Gushu First Road, Bao'an District, Shenzhen

Product Name : Charger

Main Test Model : BCTXXXYY-078U
("XXX" is a 3-digit number 040-240, indicating the output voltage of 4.0-24.0VDC; "YYY" is a 3-digit number 001 to 200, representing an output current of 0.01A to 2.00A; maximum 12w, 078 is indicated as a model, U means USB interface)

Test Standard : IEC 62321-4:2013+AMD1:2017, IEC 62321-5:2013, IEC 62321-6:2015, IEC 62321-7-1:2015, IEC 62321-7-2:2017, IEC 62321-8:2017

As shown in the Test Report No. : BSTDG210115689301CR

The EUT described above has been tested by us and found in compliance with the council RoHS 2 Directive 2011/65/EU Annex II (EU) 2015/863 as last amended by Directive (EU) 2017/2102. This certificate is only valid in conjunction with the test report.



RoHS



Christina Deng
Approved Signatory
Jan.27, 2021

Dongguan BST Testing Co., Ltd

Add: A1201-1204 Xinsanqi Of Dongbao Road, Dongcheng District, Dongguan, Guangdong, China

Certificate Search: <http://www.bst-lab.com>, Tel:400-882-9628, 8009990305, E-mail:christina@bst-lab.com



® Dongguan Anci Electronic Technology Co., Ltd
Add.: 1-2 Floor, Building A, No.11, Headquarters 2 Road, Songshan Lake
Hi-tech Industrial Development Zone, Dongguan City, Guangdong Pr., China.
Tel: 86 -769 -8507 5888 Fax: 86 -769 -8507 5898 Web: www.anci.com

CERTIFICATE OF CONFORMITY

Certificate No.: 20AE05420E007

This Certificate of Conformity is hereby issued to the product designated below

Report No. : EA2005420E07001
Applicant : Shenzhen Baochangtong Technology Co.,Ltd
Address : 2nd Fl.Bldg A Xinxiong Industrial Park 157 Gushu First Rd.
Xixiang Town Baoan Shenzhen, Guangdong, 518126 China
Manufacturer : Same as applicant
Address : Same as applicant
Description of Product : AC/DC ADAPTER
Model No. : BCT050yyy-078ww (yyy=001-200, represent the output current
from 0.01A to 2.0A, ww=OU or YU, represent the different plug.)
Input Ratings : 100-240V~, 50/60Hz, 0.3A
Output Ratings : 5.0Vdc, 0.01-2.0A
Test Standards : EN 55032: 2015/A11:2020
EN 55035: 2017
EN IEC 61000-3-2: 2019
EN 61000-3-3:2013/A1:2019

This certificate of conformity is based on evaluation of a sample of the above mentioned product. Technical report and documentation are at the license Holder's disposal. This is to certify that the tested sample is in conformity with the Council Directive 2014/30/EU, referred to as the EMC. It is possible to use CE marking to demonstrate the conformity with this EMC Directive.



Date of Issue: Mar. 19, 2021

This certificate of conformity is based on a single evaluation of the submitted sample(s) of the above mentioned product. It does not imply an assessment of the whole production and other relevant Directives have to be observed.



® Dongguan Anci Electronic Technology Co., Ltd.
 Add: 1-2 Floor, Building A, No.11, Headquarters 2 Road, Songshan Lake
 Hi-tech Industrial Development Zone, Dongguan City, Guangdong Pr., China.
 Tel: 86 -769 -8507 5888 Fax: 86 -769 -8507 5898 Web: www.anci.com

CERTIFICATE OF CONFORMITY

Certificate No. 20AS05420L368A

The following product has been tested by DongGuan Anci Electronic Technology Co., Ltd. with the listing standards and found in conformity with the **EC Council Directive of 2014/35/EU**. It is possible to use CE marking to demonstrate the conformity with this **LVD Directive**.

Report No. : SA2005420L06001
Applicant : Shenzhen Baochangtong Technology Co.,Ltd
Address : 2nd Floor, Building A, Xinxiong Industrial Zone, No.157 Gushu
 First Road, Bao'an District, Shenzhen
Manufacturer : Same as applicant
Address : Same as applicant
Description of Product : AC/DC ADAPTER
Model No. : BCT050yyy-0780U (yyy=001-200, represent the output
 current from 0.01A to 2.0A)
Input Rating : 100-240V~, 50/60Hz, 0.3A
Output Rating : 5.0Vdc, 0.01-2.0A
Test Standards : EN 62368-1:2014+ A11:2017

The referred test report(s) show that the product complies with the essential requirements in the above listed standards. The applicant is authorized to use this certificate in connection with the EC declaration of conformity according to Annex 1 of the Directive.



Test Laboratory

Bruce Yu

Bruce Yu

Director

Date of Issue: Sep. 09, 2020.

This certificate of conformity is based on a single evaluation of the submitted sample(s) of the above mentioned product. It does not imply an assessment of the whole production and other relevant Directives have to be observed.