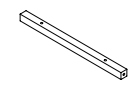
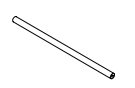
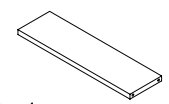
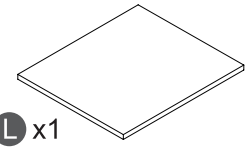
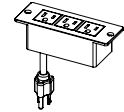


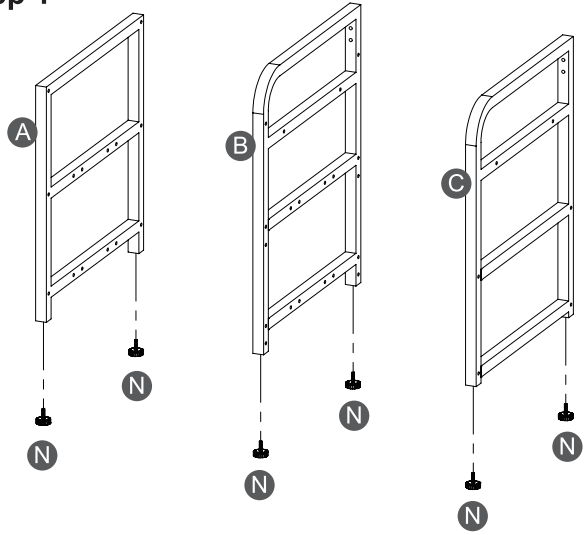
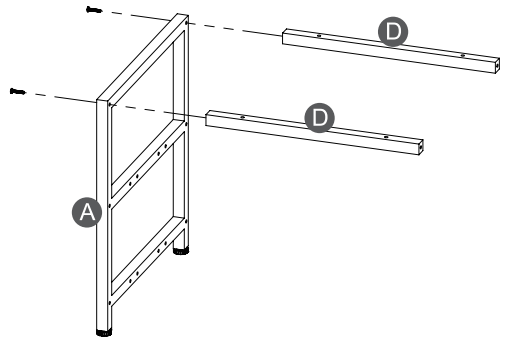

	PART LIST
A x1	B x1	C x1	D x2	F x12	H x2	K x1	N x6	R x50+1	S x4+1	
										
			E x2	G x1	J x1	L x1	M x2	P x1	T x4+1	U x2

Step 1

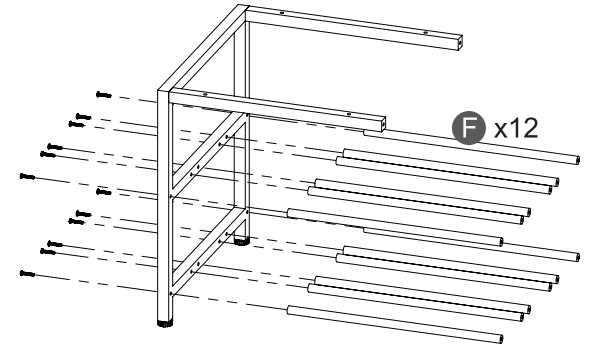



Step 2



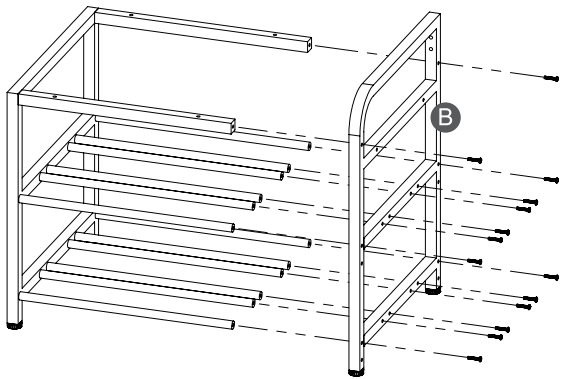
 **R** x 2

Step 3



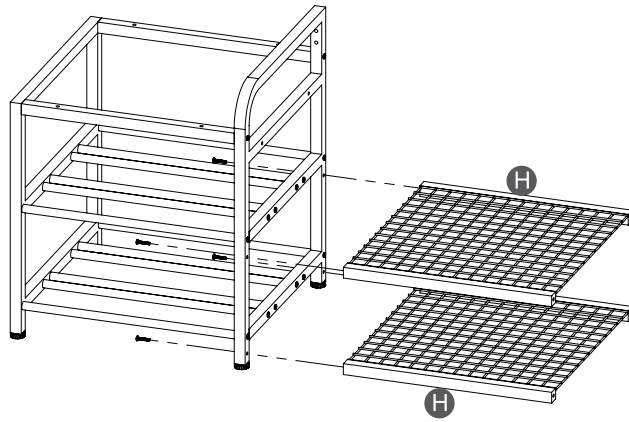
 **R** x 12


Step 4



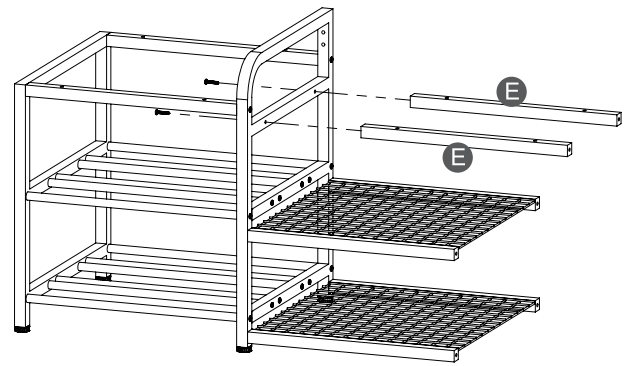
 **R** x 14


Step 5



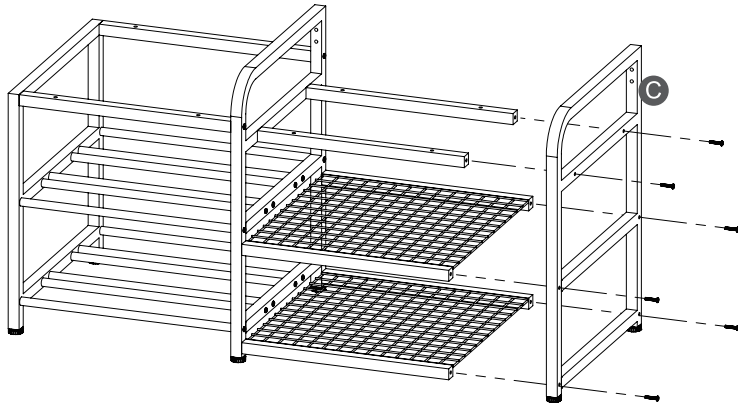
 **R** x 4


Step 6



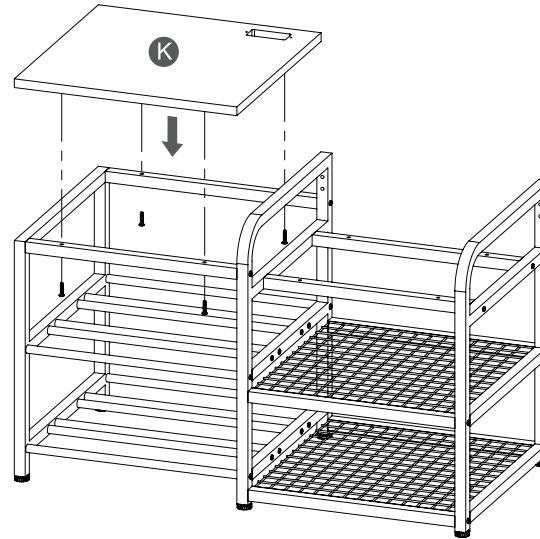
 **R** x 2


Step 7



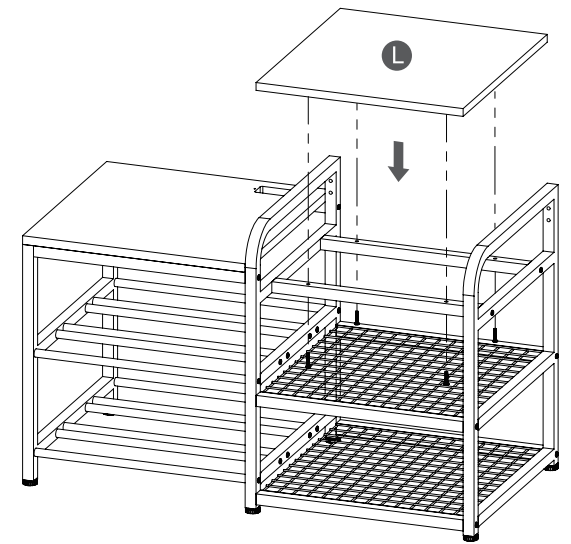
 R×6

Step 8



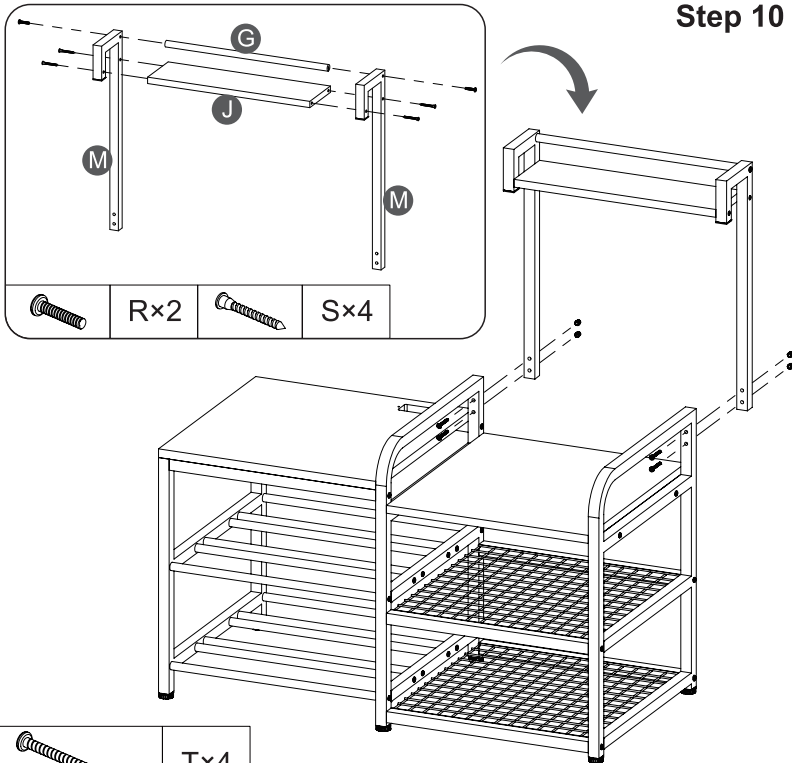
 R×4



Step 9



 R×4

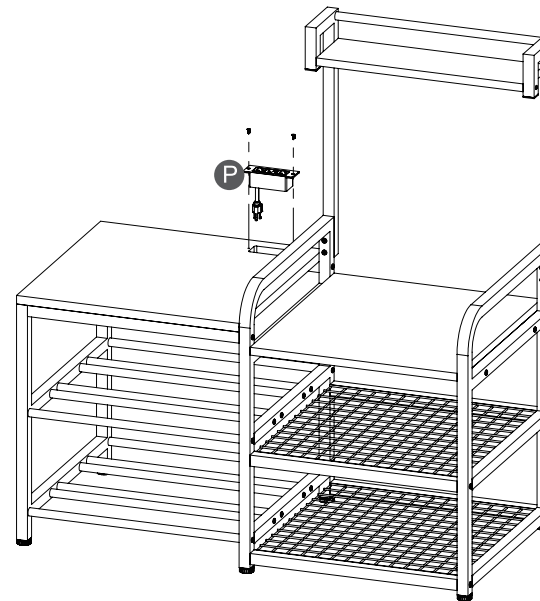
Step 10




 R×2  S×4

 T×4

Step 11



 U×2

COMPLETION

