

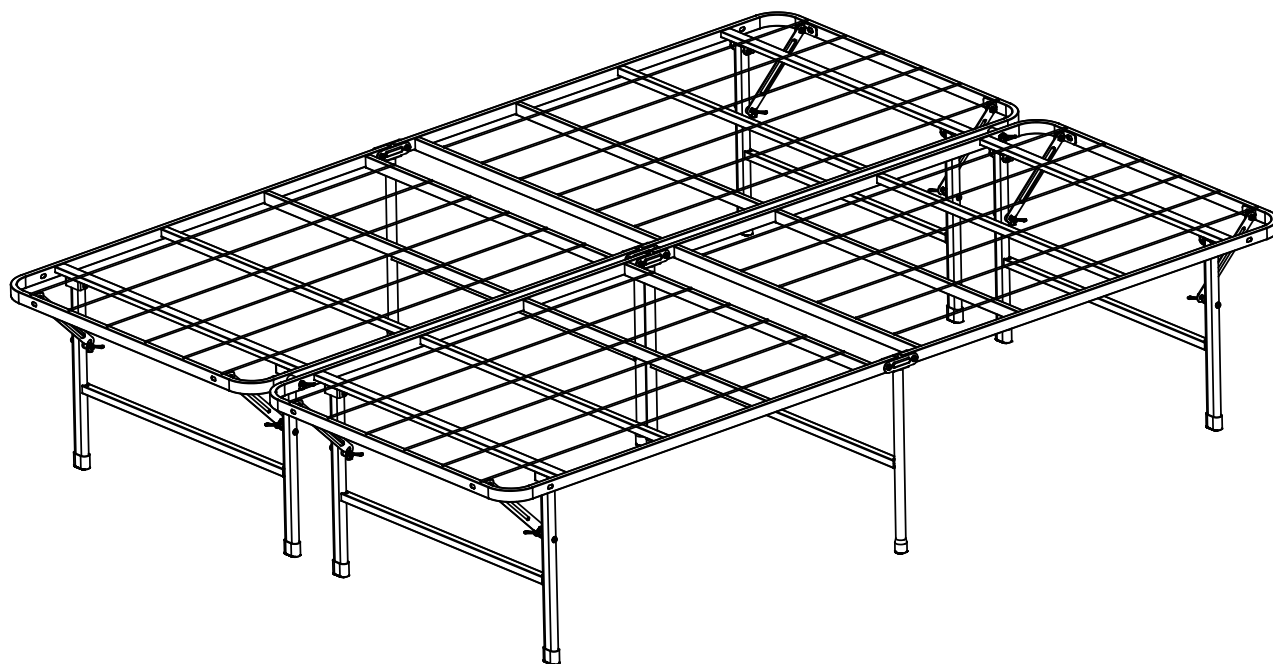
Bed Frame

ASSEMBLY INSTRUCTION



ADULT ASSEMBLY REQUIRED

Read all instructions before assembly and use.
Due to the presence of small parts during assembly, keep
out of reach of children until assembly is complete.



ASSEMBLY INSTRUCTIONS

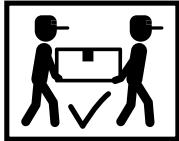
ASSEMBLY TIPS:

1. Remove hardware from box and sort by size.
2. Please check to see that all hardware and parts are present prior to start of assembly.
3. Please follow attached instructions in the same sequence as numbered to assure fast & easy assembly.



WARNING!

1. Don't attempt to repair or modify parts that are broken or defective. Please contact the store immediately.
2. This product is for home use only and not intended for commercial establishments.
3. The maximum bearing capacity of the bed frame is 1000lbs, The load-bearing capacity of a single bed frame is 500lbs.

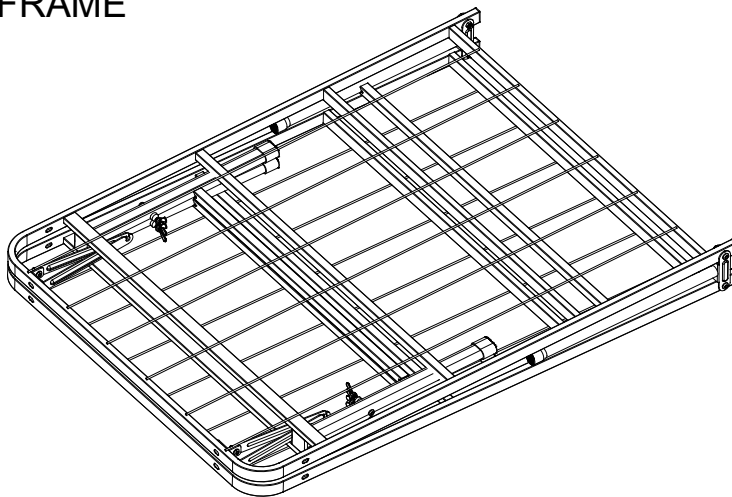


ASSEMBLY TIME

5 MINUTES

COMPONENTS

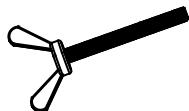
A BED FRAME



2 pcs

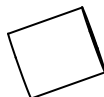
B HARDWARE

1 WING BOLT



2 pcs

2 PLASTIC



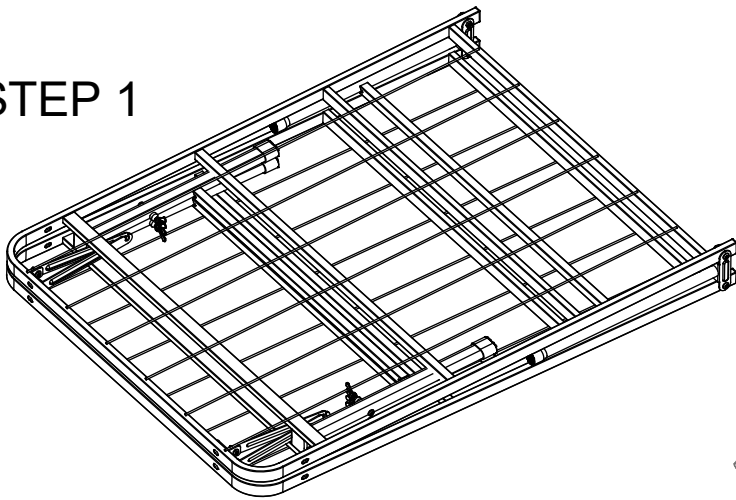
2 pcs

3 WING NUT

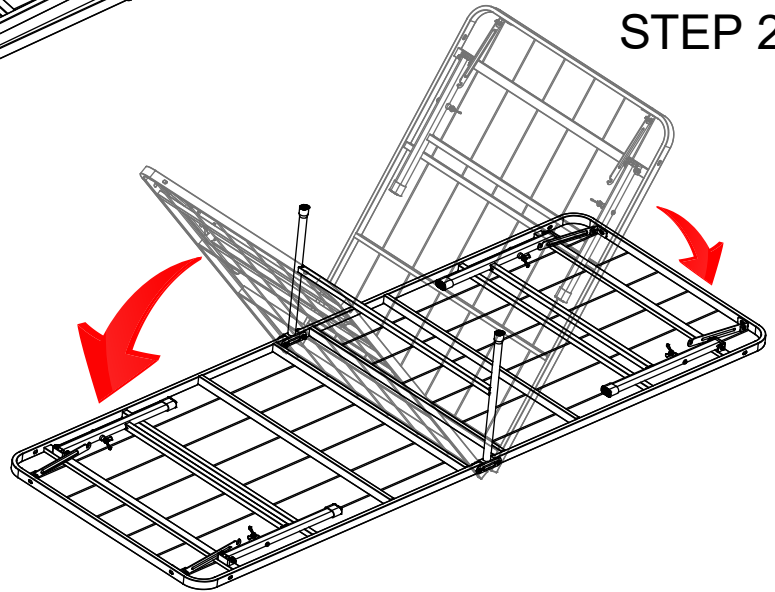


2 pcs

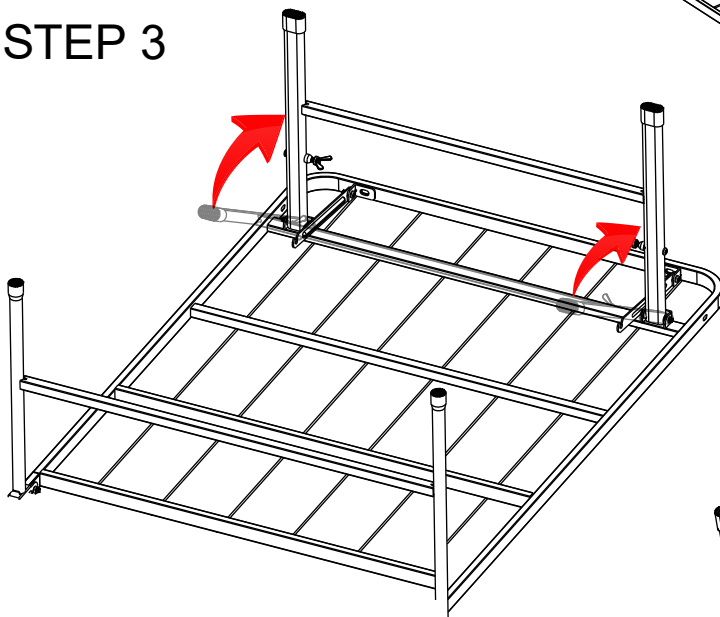
STEP 1



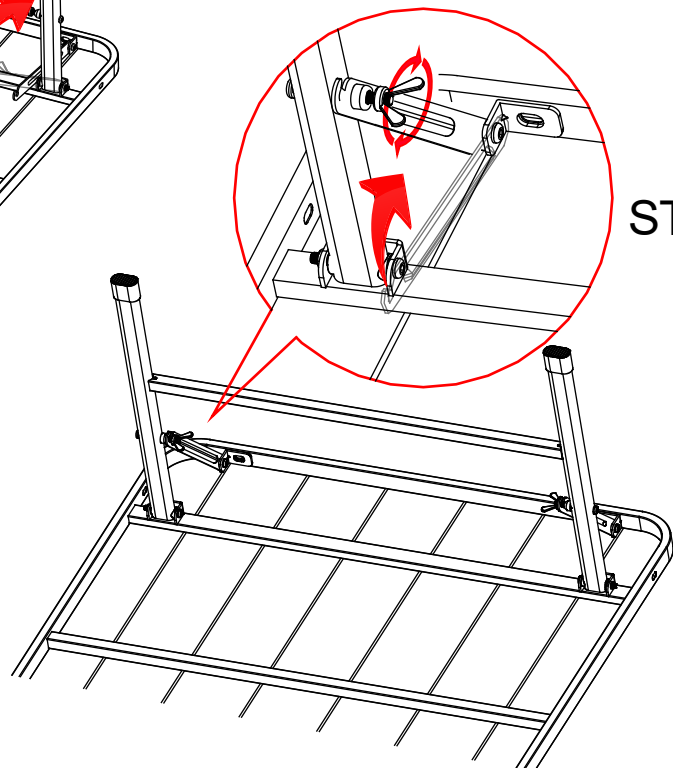
STEP 2



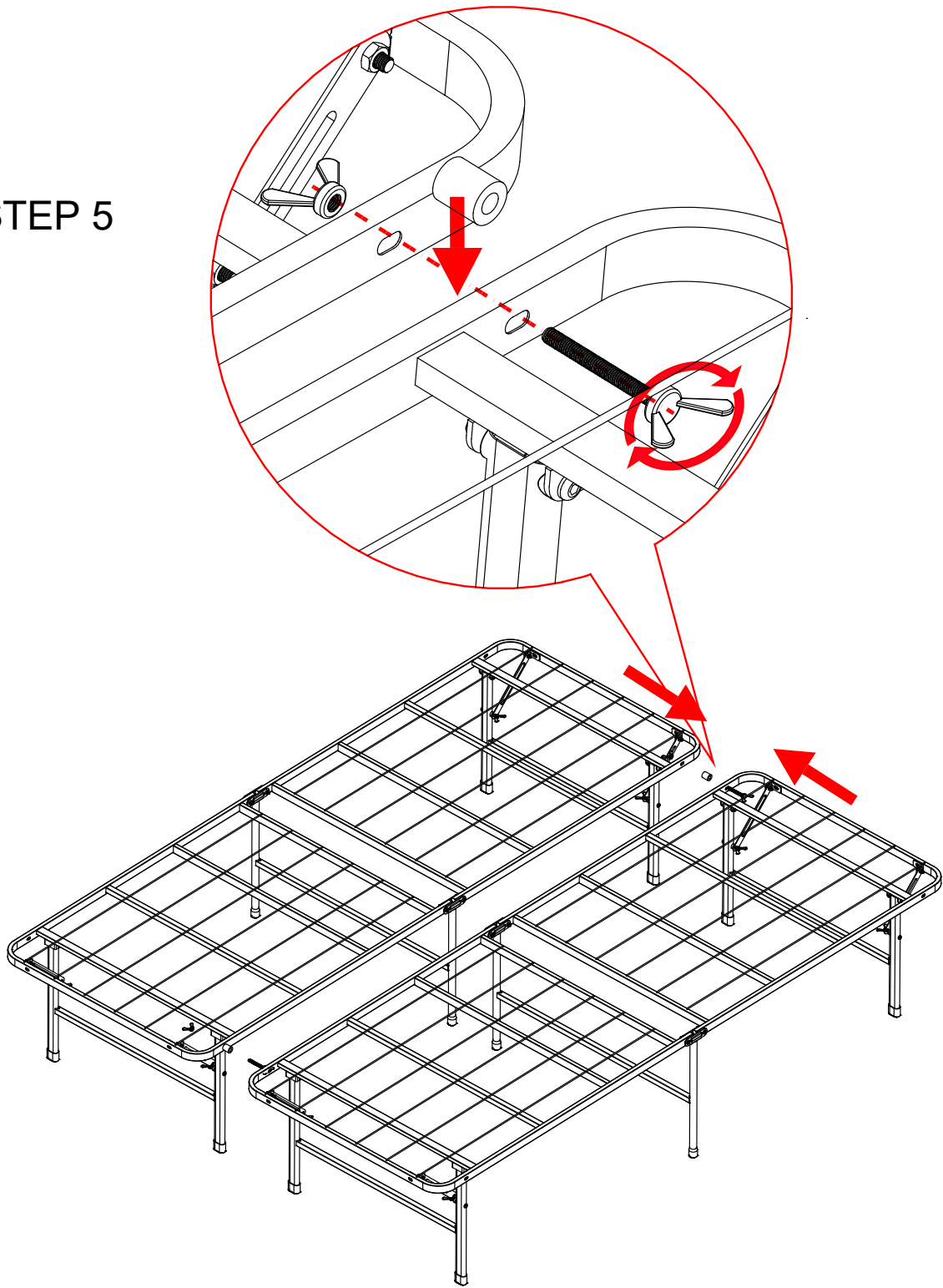
STEP 3



STEP 4



STEP 5



For your safety, please do not jump and shake violently on the bed, do not exceed the use of the weight limit, do not remove the bed frame parts and damage the structure of the bed frame without authorization. If you have any problems and need help, please feel free to contact us.