






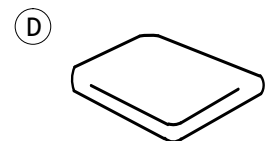
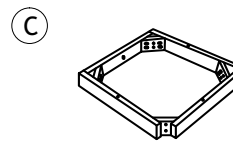
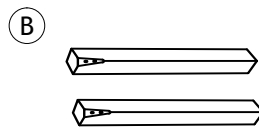
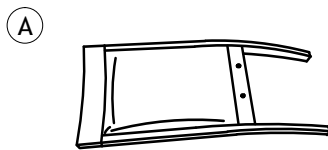


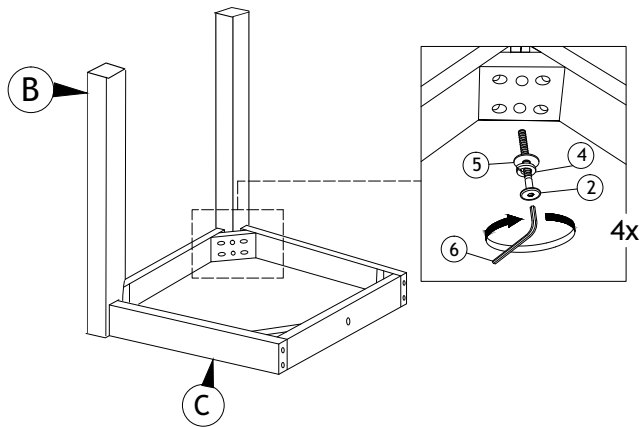
Read these instructions carefully. Consult the hardware and furniture parts list for advice. Make sure all parts are complete before assembly. Place all wooden furniture pieces on a soft, clean, flat surface to avoid scratches. Refer to the steps provided as an assembly guide.

PARTS LIST		
ITEM	DESCRIPTION	QTY
A	Backrest	1 PC
B	Front leg	2 PCS
C	Seat box	1 PC
D	Cushion	1 PC

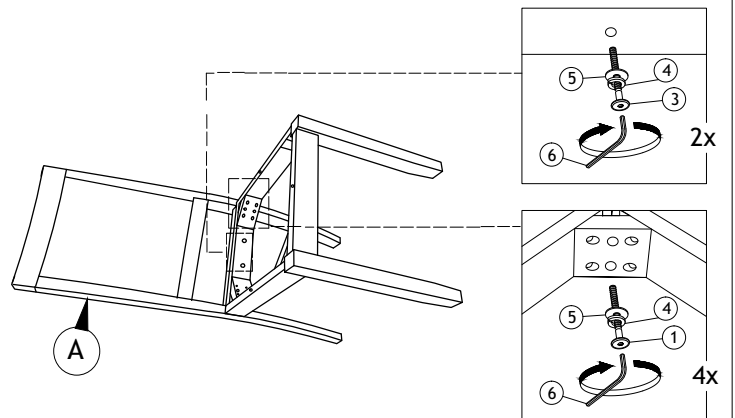
HARDWARE LIST		
ITEM	DESCRIPTION	QTY
1	Bolt JCBC M6 x 80mm 	4 PCS
2	Bolt JCBC M6 x 60mm 	4 PCS
3	Bolt JCBC M6 x 35mm 	2 PCS
4	Spring washer M8 	10 PCS
5	Flat washer M6 	10 PCS
6	Allen key 	1 PC
7	Screw CSK M4 x 32 	3 PCS



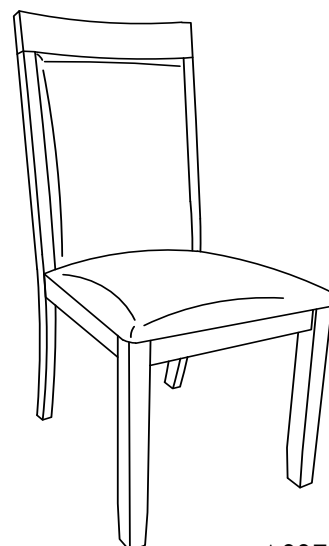
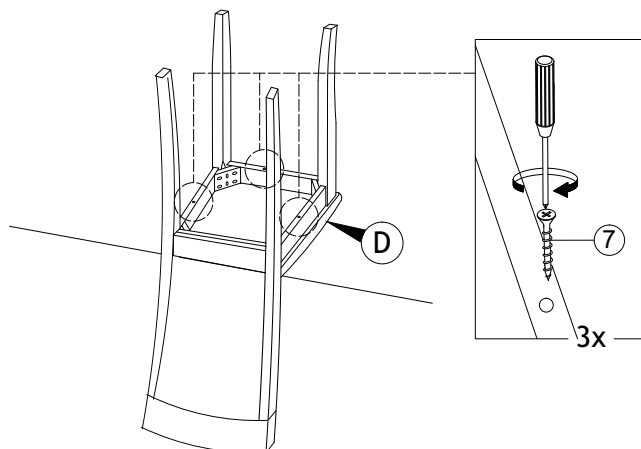
ÉTAPE 1



ÉTAPE 2



ÉTAPE 3



ASSEMBLAGE TERMINÉ