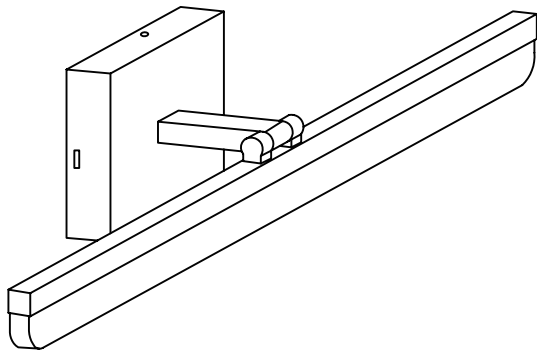


edishinē

Vanity Light

[Instruction Manual]



Please pay attention to the warning signs
Read the instructions with caution before operating
and keep it properly

V50731

Warning:

Risk of fire. Min 75°C supply conductors. Consult a qualified electrician to ensure correct installation. Before installation, please turn off the main power of the circuit breaker to prevent possible electric shock.

Installation Instructions

FIG.1. Turn the wall switch to the "OFF" position.

Depending on which type of fuse box in your home:

FIG.2. Either turn the main (Master) switch to the "OFF" position to cut off the power supply of the entire home, or turn off the individual switch that supplies power to where the fixture will be installed.

OR

FIG.3. Either turn the main (Master) switch to the "OFF" position to cut off the power supply of the entire home, or unscrew the fuse that supplies power to where the fixture will be installed.



FIG.1 WALL SWITCH

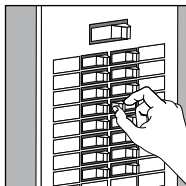


FIG.2 BREAKER PANEL

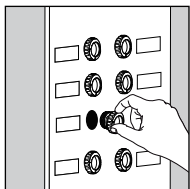
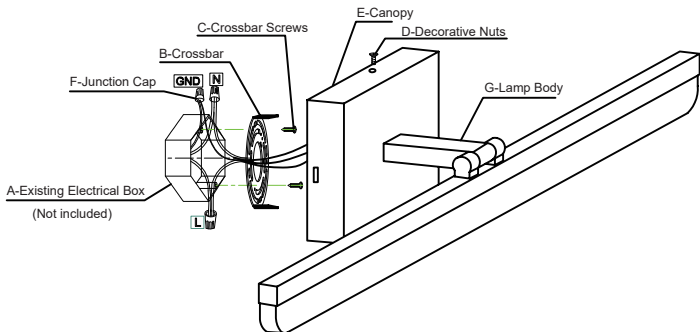


FIG.3 FUSE BOX

Lighting Fixture Installation



1. Prepare Work Area

-Remove all parts from packaging and place on a clean, flat surface.

2. Mount Crossbar

-Remove decorative nuts (D).

-Secure crossbar (B) to existing electrical box (A not included) using provided Crossbar Screws (C).

3. Connect Wiring

-Match fixture wires to house wiring:

*Ground (Brown): Connect fixture ground to electrical box ground using wire connector.

*Neutral (White): Join fixture neutral to house neutral with wire connector.

*Live Wire(Black): Connect fixture live wire to house live wire with wire connector.

-Hide the connected wires in existing electrical box (A not included)

4. Attach Canopy

-Position canopy (E) over crossbar (B) and secure with decorative nuts (D).

Hand-tighten until snug.

Specifications

- Materials: Iron,Aluminum,Acrylic
- Input Voltage: 120VAC 60Hz
- Max.Load Power:32W
- Color temperature: 3000K/4500K/6500K

One Year Limited Warranty

Supported by our professional R&D team and QC team, we provide One Year Warranty for materials and workmanship from the purchase date. Please note that the warranty does not cover damage caused by personal misuse or improper installation.

Please attach your Order ID and Name so that our dedicated customer service team can help you better.



Made in China