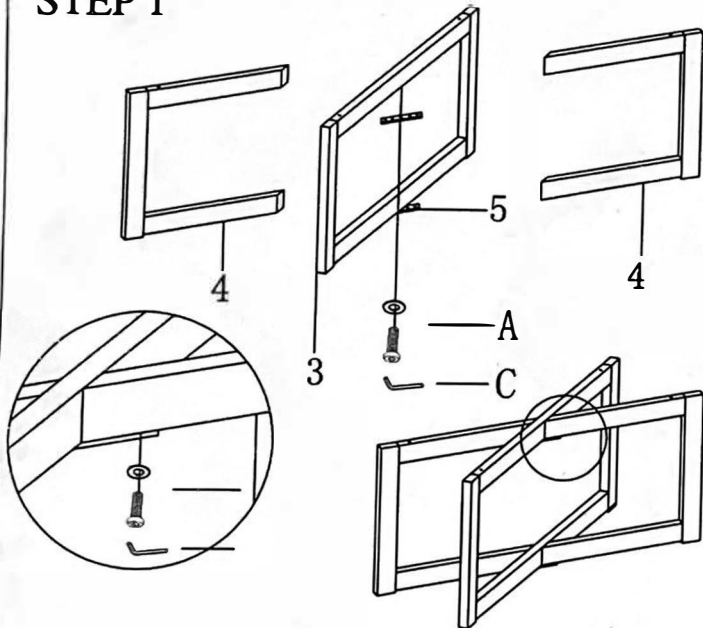
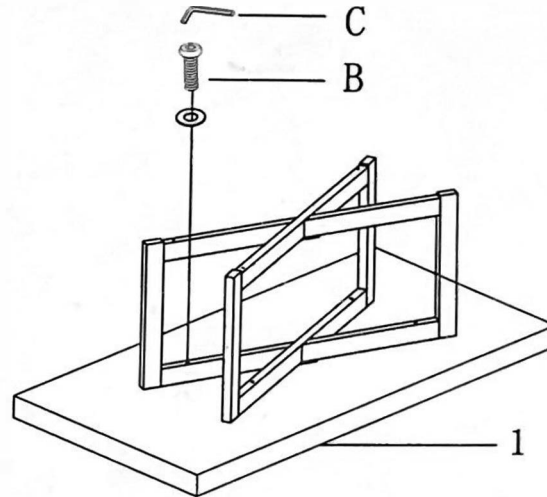


Assembly Instruction

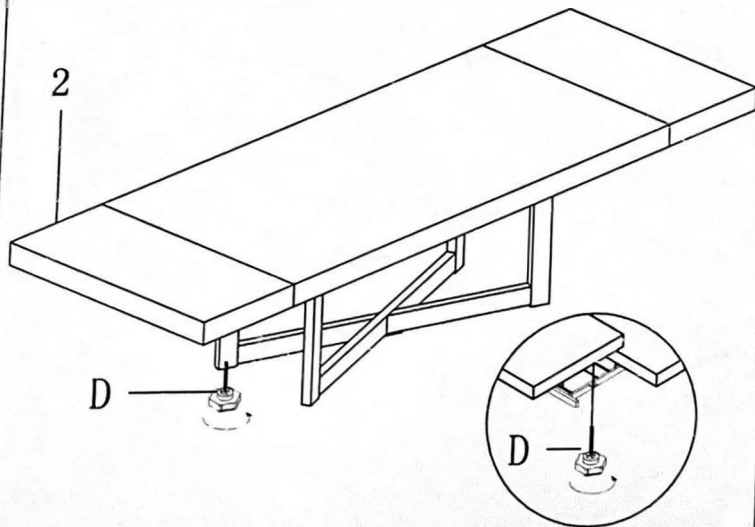
STEP 1



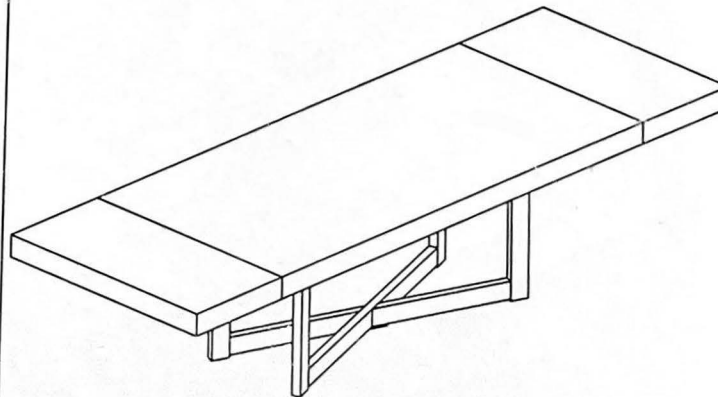
STEP 2






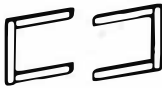

STEP 3









STEP 4



PARTS LIST

NO.	DESCRIPTION	QTY
1		1
2		2
3		1
4		1
5		2

HARDWARE LIST

NO.	DESCRIPTION	Q.T.Y
A	  M8 x 20	10
B	 M8 x 100	4
C	 P5	1
D		4
	 M6	4