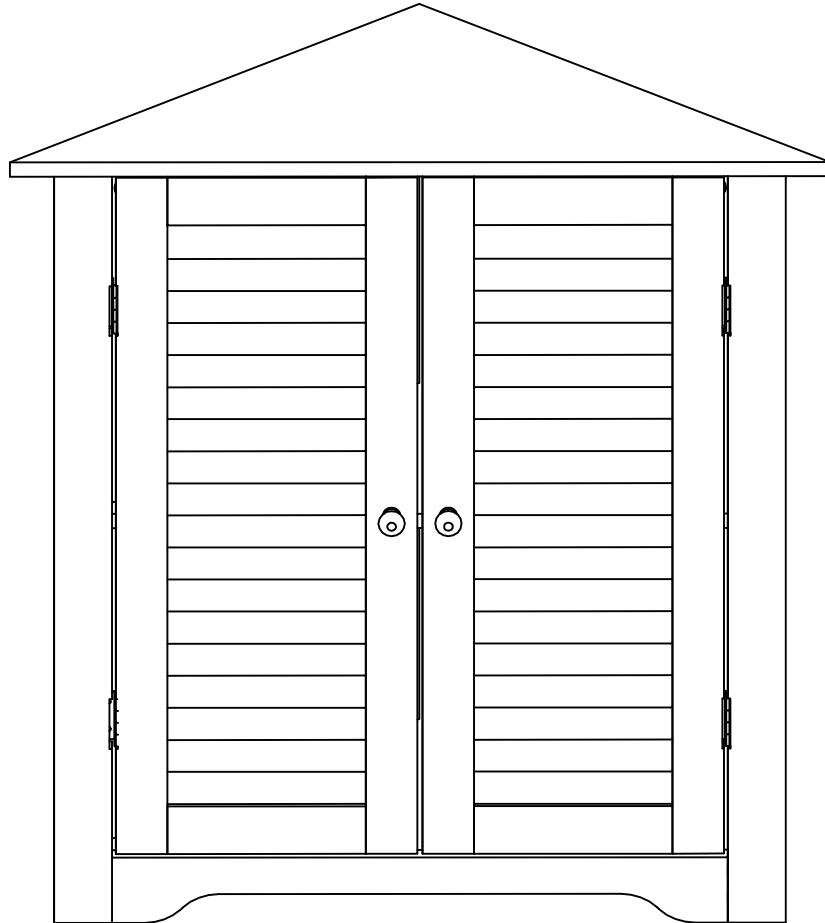


Assembly Instructions

Corner Cabinet



NOTE TO CUSTOMERS:

- For ease and speed of assembly we recommend that before you commence each step of the assembly that you identify all the parts required to complete that step.
- We recommend that where possible you allow sufficient space to assemble the item as close as possible to the place where it will be once assembled.
- For the protection of your furniture we recommend that the product is placed on protected surfaces during assembly to prevent any damage.
- During assembly do not over tighten, as this may damage the product.
- Please ensure you retain all the product packaging until the item completely assembled.
- Please periodically check all fittings and re-tighten as necessary.
- Please never allow any liquids to remain on your furniture as absorption can cause the wood to warp or finish to de-laminate.
- It is recommended that this item should be assembled by two adults.

To insert a cam lock: (Please read below instructions before assembling)

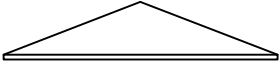
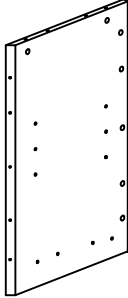
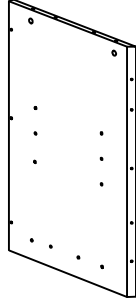
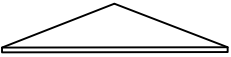
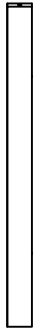


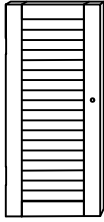
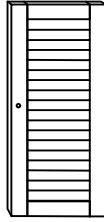
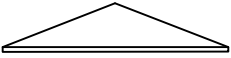
	<p>Diagram A</p>	<p>1. Insert cam screw into hole as shown in diagram A .</p>
	<p>Diagram B</p>	<p>Make sure not to insert the cam screw: Too deep as shown in figure B as this will cause the cam screw to be misaligned and unable to interlock properly.</p>
	<p>Diagram C</p>	<p>Also avoid inserting the cam screw too close to the surface of the hole as shown in figure C, as this will cause the cam lock to be too loose, and not interlock properly.</p>

	<p>2. Connect the panels together.</p>
	<p>3. When inserting the cam lock make sure the arrow of the cam lock faces the cam screw.</p>
	<p>4. To tighten the cam lock turn the cam lock clockwise 90-180 degree or until the arrow is facing opposite the place cam lock was inserted.</p>
<p>NOTE: DO NOT USE AN AUTOMATIC SCREWDRIVER TO TIGHTEN CAM LOCKS.</p>	

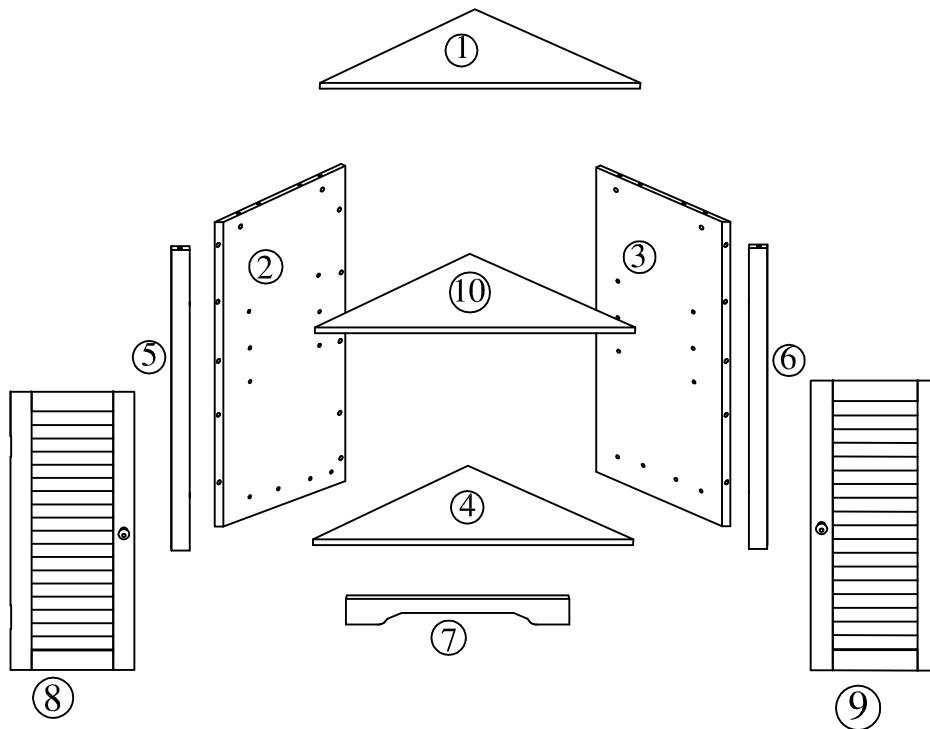
Note:

- Read these instructions carefully before assembling.
- Tools required : Phillips screwdriver, flat screwdriver.
- Find a clean, smooth area on which to work , such as a carpet, in order to avoid scratching the wood surfaces.
- Wait to dispose of the packing material until assembly is complete and all parts and hardware are accounted for.
- Two or more people might be required for assembly.

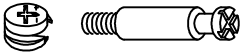


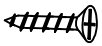
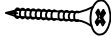


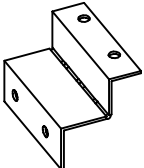



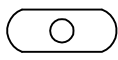
Part List

<p>(1) Quantity of 1</p>  <p>Top Panel</p>	<p>(2). Quantity of 1</p>  <p>Left Side Panel</p>	<p>(3). Quantity of 1</p>  <p>Right Side Panel</p>
<p>(4) Quantity of 1</p>  <p>Bottom Panel</p>	<p>(5) Quantity of 1</p>  <p>Connect Bar</p>	<p>(6) Quantity of 1</p>  <p>Connect Bar</p>
<p>(7) Quantity of 1</p>  <p>Apron</p>	<p>(8) Quantity of 1</p>  <p>Left Door</p>	<p>(9) Quantity of 1</p>  <p>Right Door</p>
<p>(10) Quantity of 1</p>  <p>Adjustable Shelf</p>		

Part List

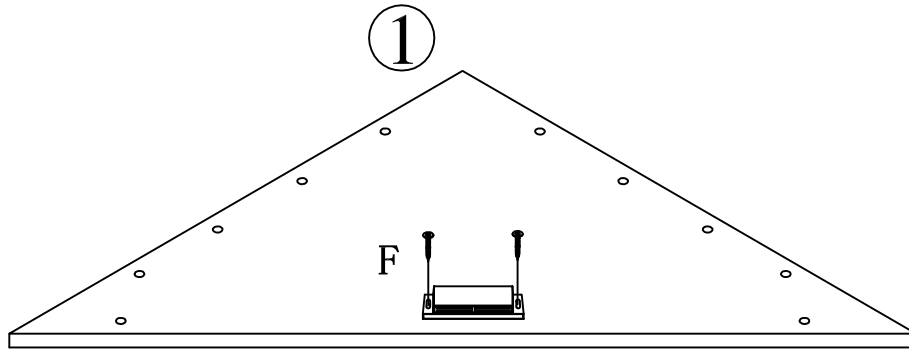


Hardware List

<p>A</p> <p style="text-align: right;">Quantity of 4</p>  <p>Camlock</p>	<p>B</p> <p style="text-align: right;">Quantity of 16</p>  <p>Wood Dowel: 1/4"x1.25"</p>	<p>C</p> <p style="text-align: right;">Quantity of 16</p>  <p>Screw: 1/8"x1/2"</p>	<p>D.</p> <p style="text-align: right;">Quantity of 6</p>  <p>Screw: 1/8"x7/8"</p>
<p>E</p> <p style="text-align: right;">Quantity of 7</p>  <p>Screw : 1/8"x1.4"</p>	<p>F.</p> <p style="text-align: right;">Quantity of 1</p>  <p>Magnet with Screw</p>	<p>G</p> <p style="text-align: right;">Quantity of 4</p>  <p>Shelf Support</p>	<p>H</p> <p style="text-align: right;">Quantity of 4</p>  <p>Hinge</p>
<p>I</p> <p style="text-align: right;">Quantity of 2</p>  <p>Handle with Bolt</p>	<p>J</p> <p style="text-align: right;">Quantity of 4</p>  <p>Wood Dowel: 5/16"x1.25"</p>	<p>K</p> <p style="text-align: right;">Quantity of 2</p>  <p>Screw: 1/8"x3/8"</p>	<p>L</p> <p style="text-align: right;">Quantity of 2</p>  <p>Metal Plate</p>


STEP 1

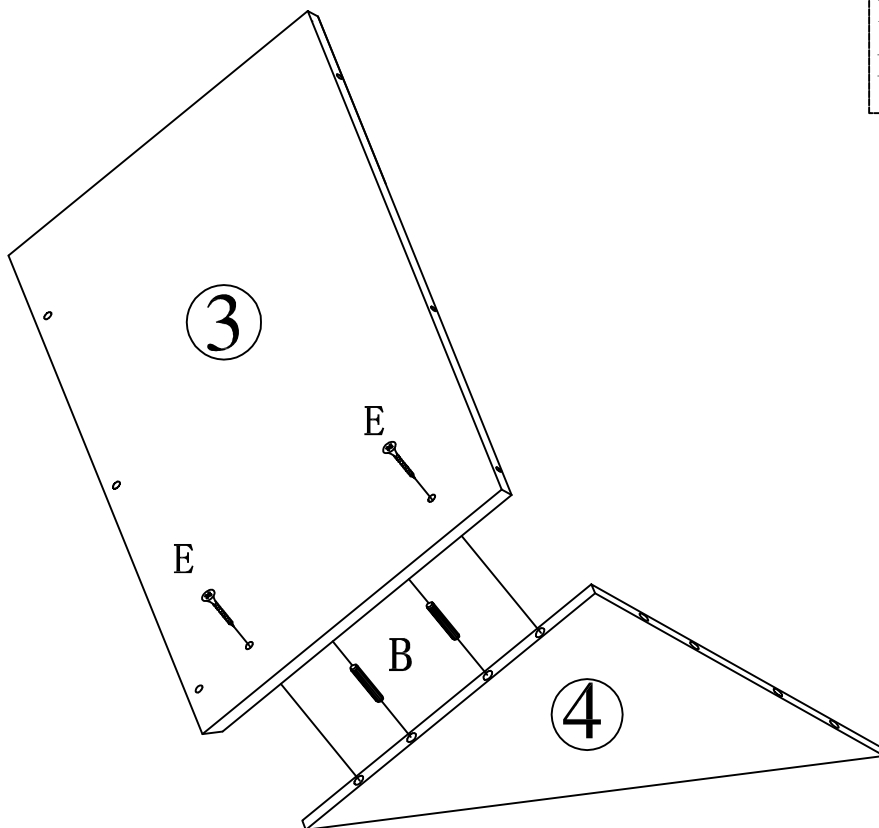
F  1set



Attach Magnet (F) to the bottom of Top Panel (1) using included screws as shown above.

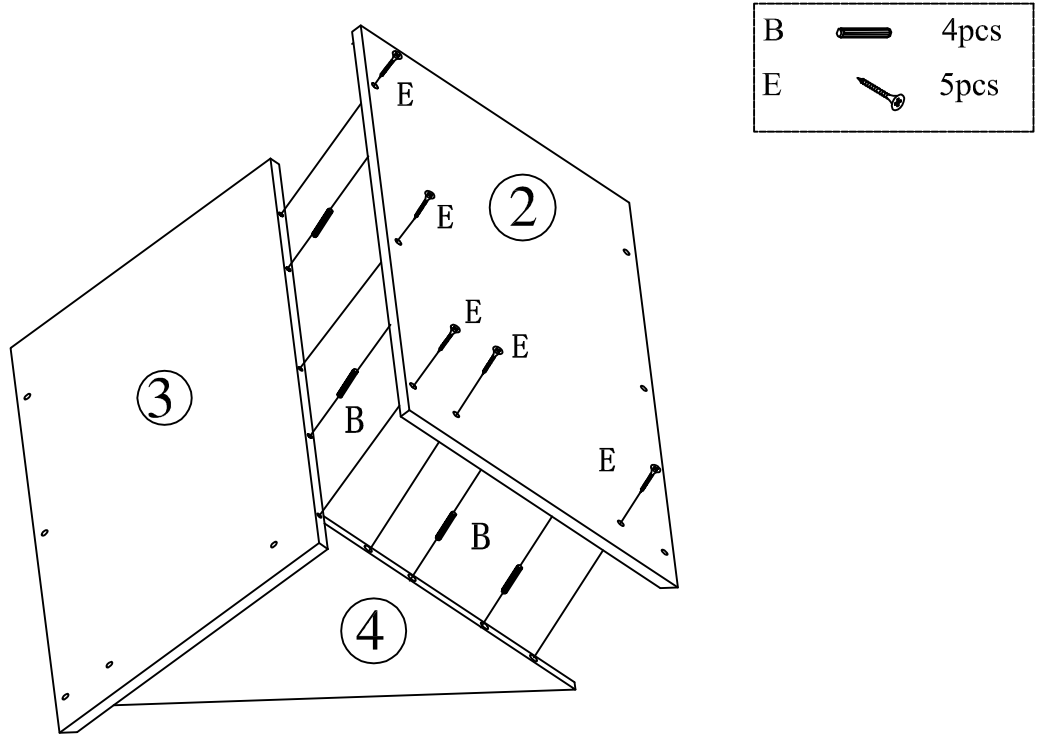
STEP 2

B  2pcs
E  2pcs



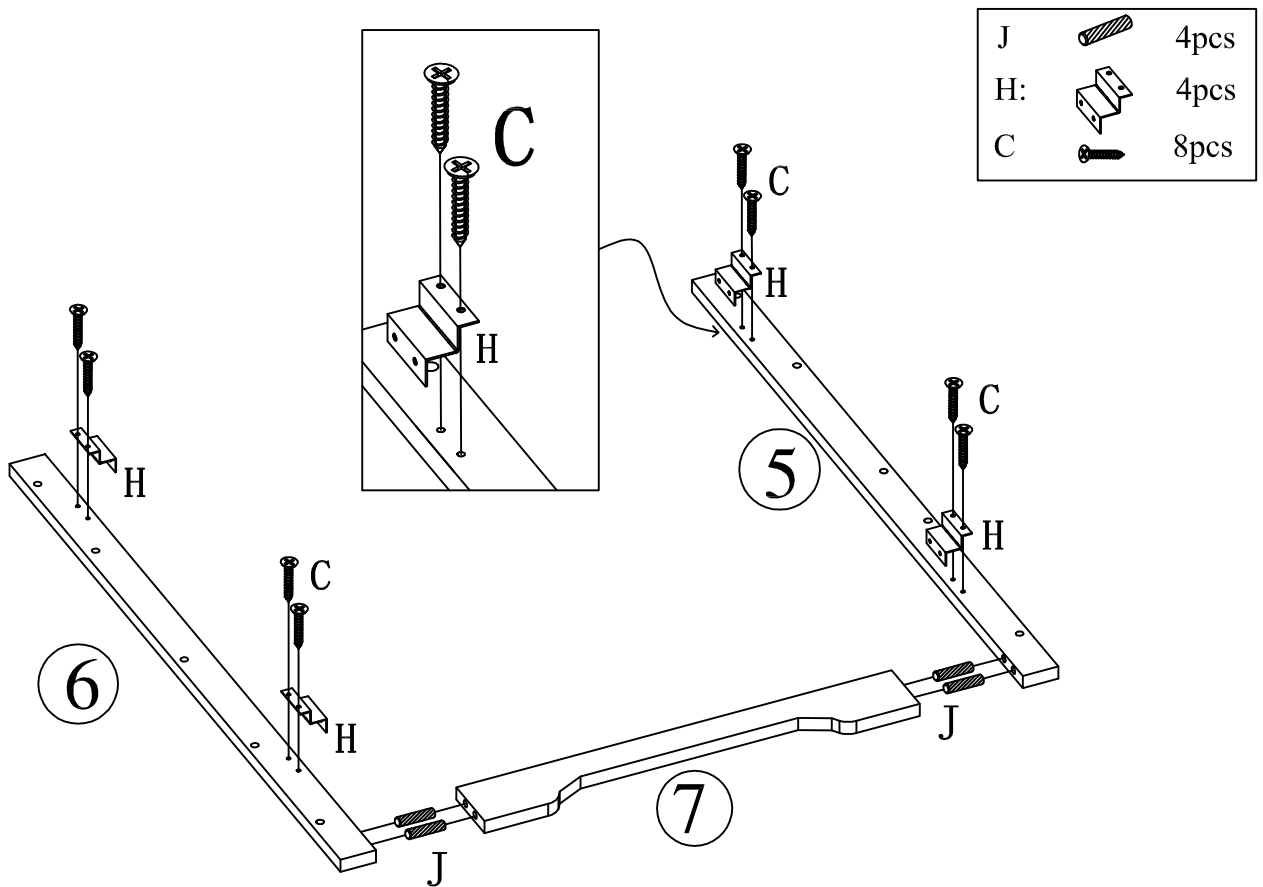
Assemble Right Side Panel (3) to Bottom Panel (4) using Wood Dowels (B) and Screws (E).

STEP 3



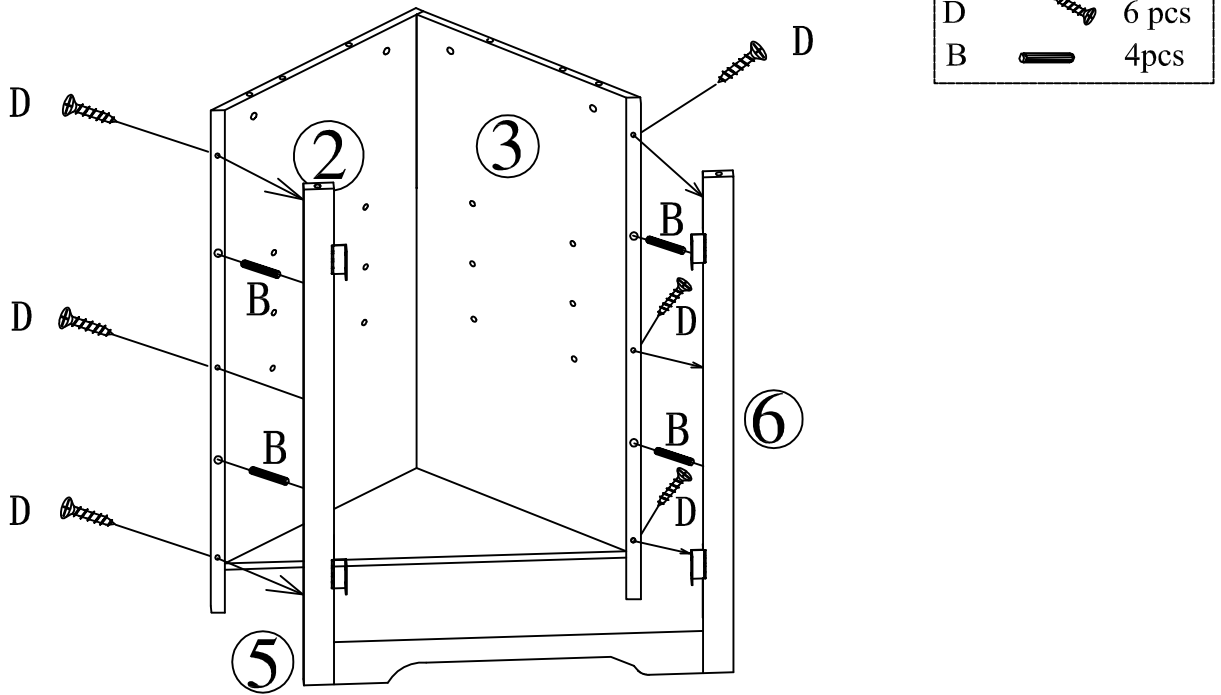
Assemble Left Side Panel (2) to Right Side Panel (3) and Bottom Panel (4) using Wood Dowels (B) and Screws (E).

STEP 4



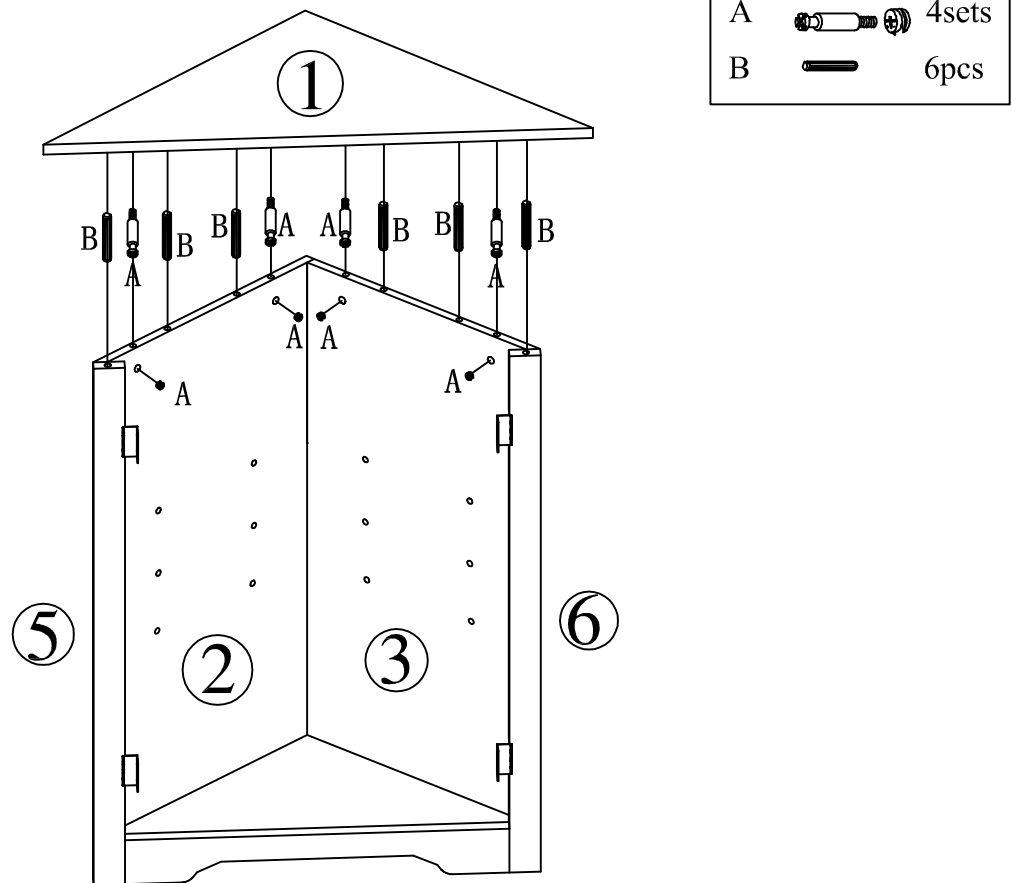
- 1). Attach Hinges (H) to Connect Bars (5)&(6) using Screws (C).
 - 2). Assemble Connect Bars (5)&(6) to Apron (7) using Wood Dowels (J).
- Note: Holes for screws are pre-drilled.

STEP 5



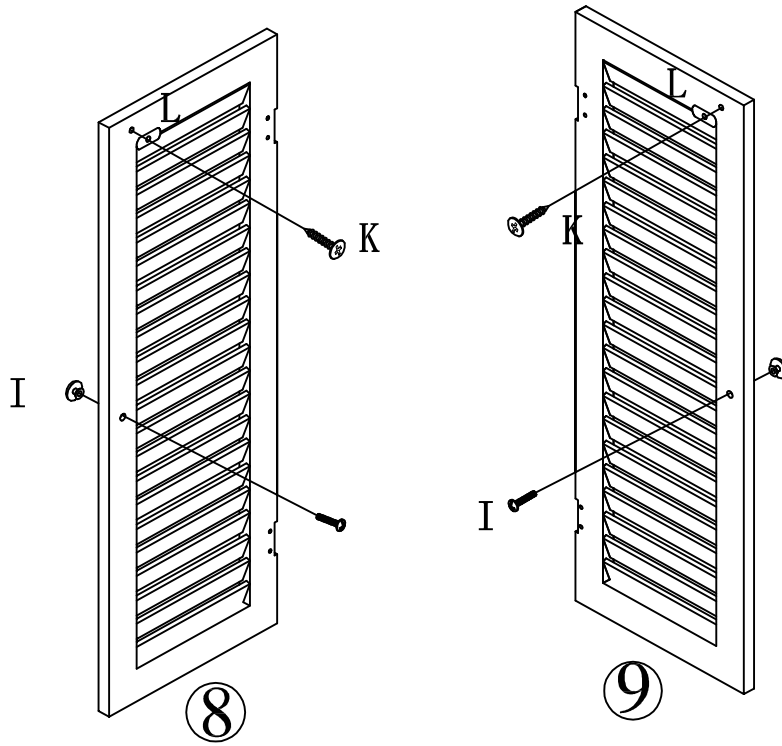
Assemble Connect Bars (5)&(6) to Side Panels (2)&(3) using Wood Dowels (B) and Screws (D).



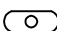
STEP 6



Assemble Top Panel (1) to Side Panels (2)&(3) and Connect Bars (5)&(6) using Camlocks (A) and Wood Dowels (B).

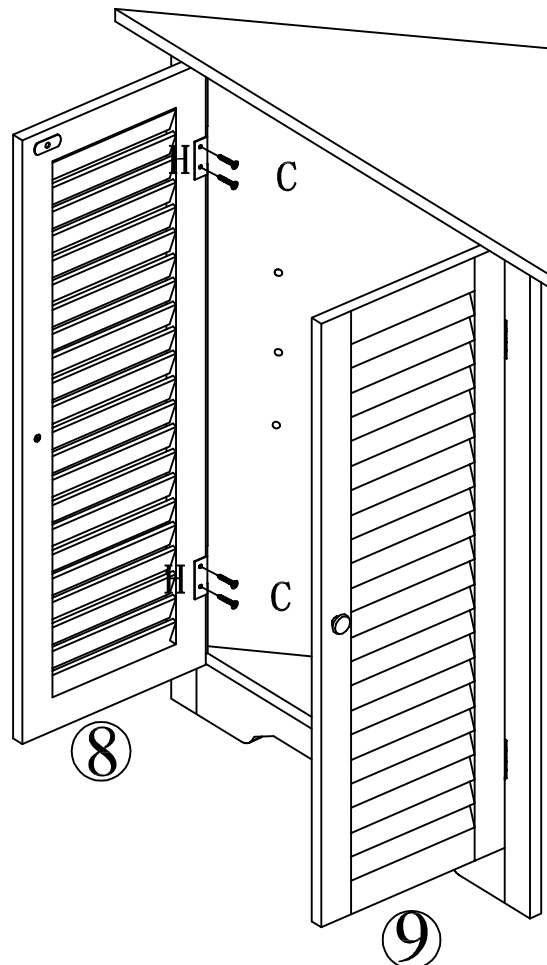
STEP 7



I		2sets
K		2pcs
L		2pcs

- 1). Attach Handles (I) to Doors (8)&(9) using included bolts.
- 2). Attach Metal Plates (L) to Doors (8)&(9) using Screws (K).

STEP 8

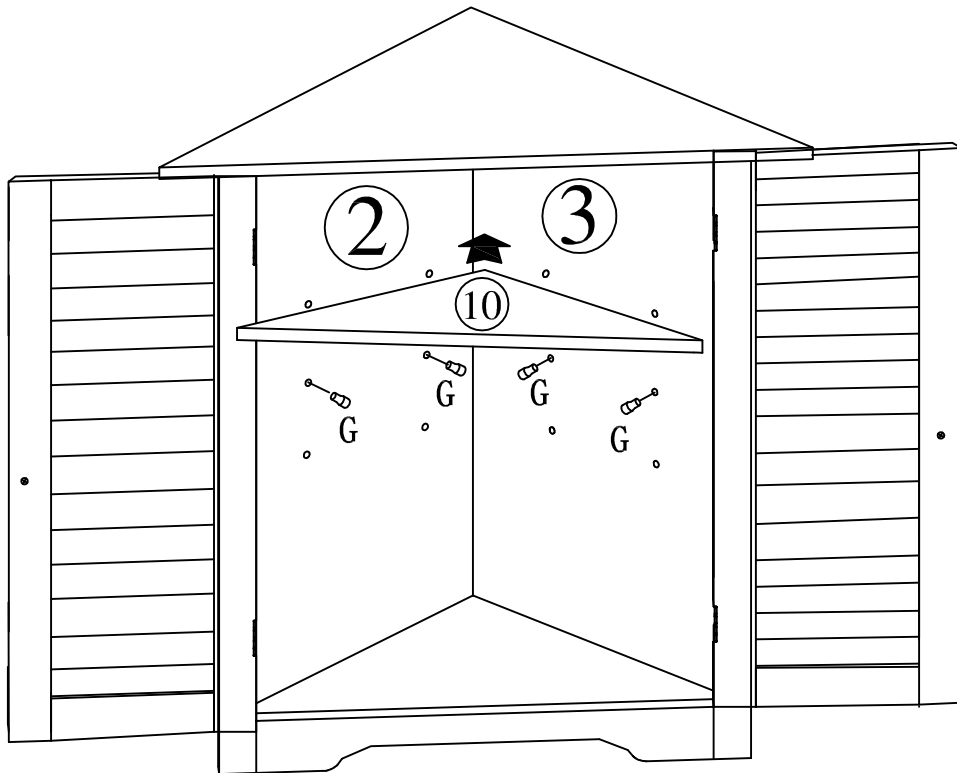


C		8pcs
---	---	------

Attach Hinges (H) to Doors (8)&(9) using Screws (C) as shown above.
Note: Holes for screws are pre-drilled.

STEP 9

G  4pcs



Insert Shelf Supports (G) into holes on Side Panels (2)&(3) , then place Adjustable Shelf (10) onto Shelf Suppots (G).