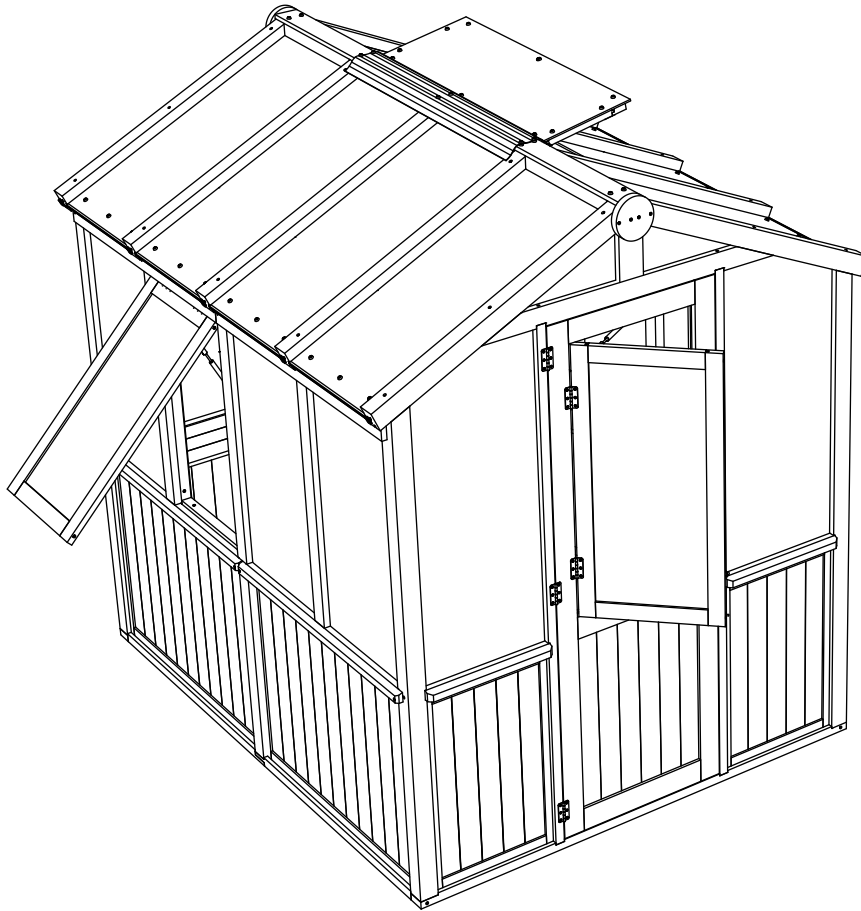

INSTRUCTION MANUAL

Meridian Wood Greenhouse



IF YOU PURCHASED THE GREENHOUSE ONLINE AND HAVE ANY
QUESTIONS OR CONCERNS

PLEASE CONTACT US WITH EMAIL OR TEXT

EMAIL: service2outdoor@gmail.com

TEXT: +1 628-263-4608

CONTENTS

1. Important Safety Notice	2
2. Instructions for Proper Maintenance	3
3. Assembly Tip	4
4. Sealant Application Tips, Warning and First Aid Information	5
5. Structure Location Preparation	6
6. Limited Warranty	7
7. Warning	8
8. Packing List	9
9. Part List	10
10. Hardware.....	14
10. Dimensions & Specifications	15
11. Polycarbonate	16
12. Assembly Procedure	17
13. Apply Sealant	50
14. Conversion of Exhaust Shutter to Exhaust Fan.....	51
15. Shades Cloth	52



This GREENHOUSE product is NOT INTENDED for the following:

- A safety barrier to prevent unsupervised access to pools, hot tubs, spas or ponds.
- As load bearing support for a building, structure, heavy objects or swings.
- Used in structures that trap wind, rain or snow that would create extra load on the product.

NEVER climb or walk on roof for any reason.

Permanent structures may require a building permit. As the purchaser and or installer of this product you are advised to consult local planning, zoning and building inspection departments for guidance on applicable building codes and/or zoning requirements.

Wood is NOT flame retardant and will burn. Grills, fire pits and chimineas are a fire hazard if placed too close to this EAGLE PEAK greenhouse structure. Consult user's manual of the grill, fire pit or chiminea for safe distances from combustible materials.

Wear gloves to avoid injury from possible sharp edges of individual elements before and during assembly. During installation, follow all safety warnings provided with your tools and use OSHA approved safety glasses. Some steps may require two or more people to assemble safely.

Check for underground utilities before digging or driving stakes into the ground!

During assembly it is important to closely follow the instructions. Complete the assembly on a solid, level surface and follow the instructions to square up, level and anchor the structure. This will reduce the gaps between components during assembly.

General Information

General Information: Wood components are manufactured with Cedar which is protected with factory applied water-based sealant. Knots, small checks (cracks) and weathering are naturally occurring and do not affect the strength of the product. Periodic application of a water-based water repellent sealant or stain is important and will help reduce weathering and checks, the frequency of the applications will depend on the climate where installed.

Questions?

Please Email:

service2outdoor@gmail.com

INSTRUCTIONS FOR PROPER MAINTENANCE

Your Greenhouse structure is designed and constructed with quality materials. As with all outdoor products it will weather and wear. To maximize the enjoyment, safety, and life of your structure it is important that you, the owner, properly maintain it.

HARDWARE :

- Check metal parts for rust. If found, sand and repaint using a non-lead paint complying with 16 CFR 1303.
- Inspect and tighten all hardware after completion of assembly; after first month of use; and then annually. Do not over-tighten as this will cause crushing and splintering of wood.
- Check for sharp edges or protruding screw threads, add washers if required.

WOOD PARTS :

- Applying a water-based repellent sealant or stain on a yearly (or as needed) basis is important maintenance to preserve the wood and maintain maximum life and performance of the product.
- Check all wood members for deterioration, structural damage and splintering. Sand down splinters and replace deteriorated wood members. As with all wood, some checking and small cracks in grain is normal · Some gapping may occur at some wood connections.

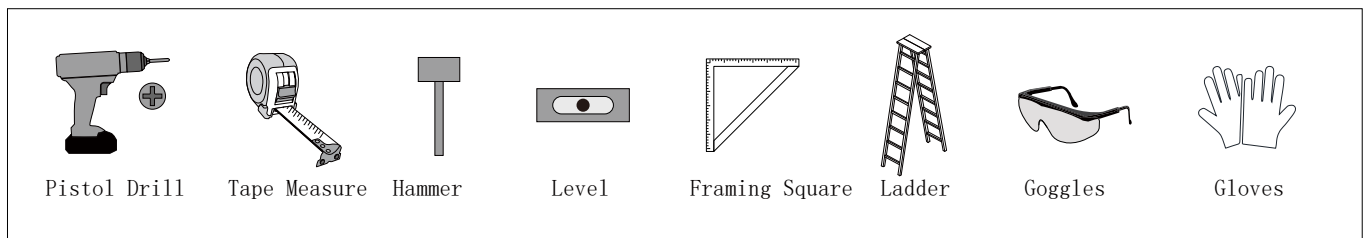
POLYCARBONATE PANELS :

- Clean panels with mild soap and water using a soft cloth or sponge.
- Inspect silicone seal around each panel for separation. Reapply silicone seal as needed.

ALUMINUM WINDOW OPENER :

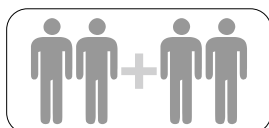
- At the end of the warm weather season the cylinder must be removed from the greenhouse and stored in a dry place.
- Lubricate the cylinder before re-installing each time.

Assembly Guides



Symbols :

Throughout these instructions symbols are provided in the top, right-hand corner of the page.



Use Help, where this is shown, 2, 3 or 4 people are required to safely complete this step. To avoid injury or damage to the assembly make sure to get some help.

If you dispose of your Greenhouse structure: Please disassemble and dispose of your unit so that it does not create any unreasonable hazards at the time it is discarded. Be sure to follow your local waste

ASSEMBLY TIP

Following are some helpful tips to make the assembly process smooth and efficient.

PRE-ASSEMBLIES:

- Work on a raised, solid and flat surface such as a table or saw horses.
- Keep all connections flush where shown in the instructions.
- When assembling, keep parts flat, straight and snug when connecting.

POLYCARBONATE PARTS:

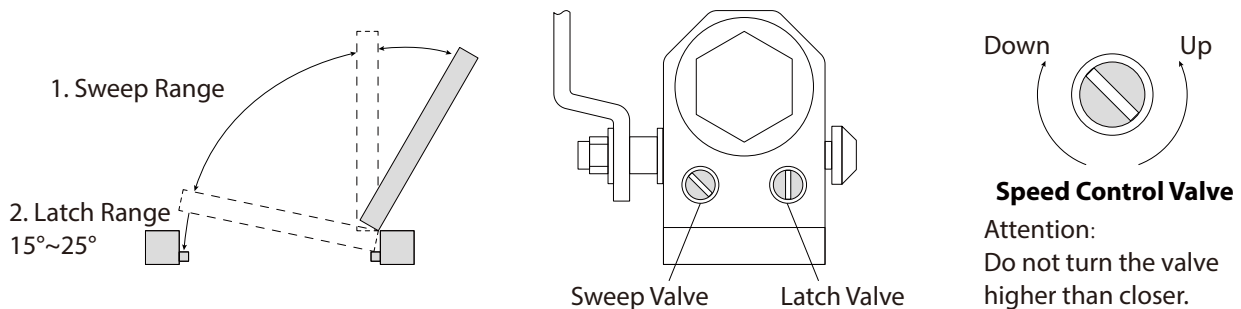
- Material may have sharp edges, wear safety gloves.
- Remove all plastic covering, on both sides of the polycarbonate panels, directly before installing each piece.
- Place polycarbonate parts on a non-abrasive surface before and after assembly as it can bend, dent and scratch easily.

SINGLE SPRING ALUMINUM WINDOW OPENER:

- Before installing, place black cylinder in the refrigerator for approximately 5-7 minutes or until cylinder rod has fully retracted.
- Automatic ventilation will not occur in temperatures above 50°C (122°F).

DOOR CLOSER:

- Adjustable sweep and latch speed.



GUIDE SPACERS:

- Included to help align grooves in wood parts to properly install polycarbonate panels.

WINTER AND HIGH WIND PREPARATION:

- Accumulated snow must be removed from roof once it is safe to do so.

SEALANT APPLICATION TIPS, WARNING AND FIRST AID INFORMATION

SEALANT:

- All surfaces to be clean, dry, dust and grease free before application with temperatures above 5°C (41°F), no warmer than 35°C (95°F).
- Cut tip off sealant tube, attach supplied nozzle and use a caulking gun to apply small beads. See below images.
- Apply sealant in small beads and smooth as required.
- To smooth sealant into the joint use a glove covered finger, putty knife, etc. Smooth sealant to create a continuous water-tight seal.
- Clean excess with a cloth or paper towel before it skins over.
- An initial bond will set in approximately 20 minutes and fully set in 24 hours.

WARNING:

- CAUSES SERIOUS EYE AND SKIN IRRITATION. Always wear safety glasses and rubber gloves when using product.
- KEEP OUT OF REACH OF CHILDREN.
- Prolonged or repeated exposure MAY CAUSE ORGAN DAMAGE. Provide ample ventilation.

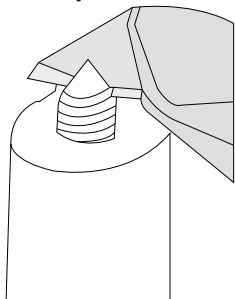
FIRST AID:

- If ingested, DO NOT INDUCE VOMITING. Seek immediate medical attention.
- Eye contact: immediately flush eyes with water for at least 15 minutes. Remove contact lenses if present.
- Skin contact; wash thoroughly with soap and water. If eye/skin irritation persists or respiratory symptoms occur or develop, seek medical attention.

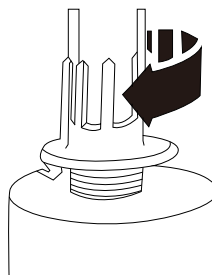
Use of this product can expose you to chemicals including Methanol, which is known to the State of California to cause birth defects and other reproductive harm. For more information, go to www.P65Warnings.ca.gov.

Dispose of contents and container in accordance with local regulations.

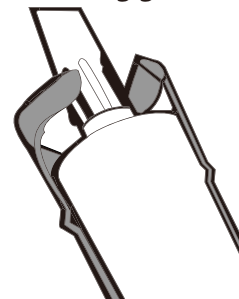
Step 1: Cut off tip of tube



Step 2: Attached supplied nozzle



Step 3: Put tube in caulking gun



STRUCTURE LOCATION PREPARATION

Note: It is critically important you start with square, solid and level base to attach your Greenhouse.

The hardware to mount the structure permanently will need to be purchased separately at your local hardware or home improvement store.

Before preparing your surface for the structure please double check for possibility of any underground utilities such as gas, telephone, cable or sprinkler lines.

Choose a level piece of ground with good drainage and lots of sunlight. Ensure it is easy to get around for essential cleaning and maintenance.

Remove any sod, grass, weeds, etc. from the area. Start with a packed and level ground surface.

The recommended area for site preparation is 96" L x 80 5/8" W (2381 mm L x 2047 mm W) or this structure.

Refer to your local building and city codes, ordinances, neighborhood covenants, or height restrictions regarding this type of structure for guidance on acceptable installation requirements.

Following are some examples of how to prepare the location for the structure.

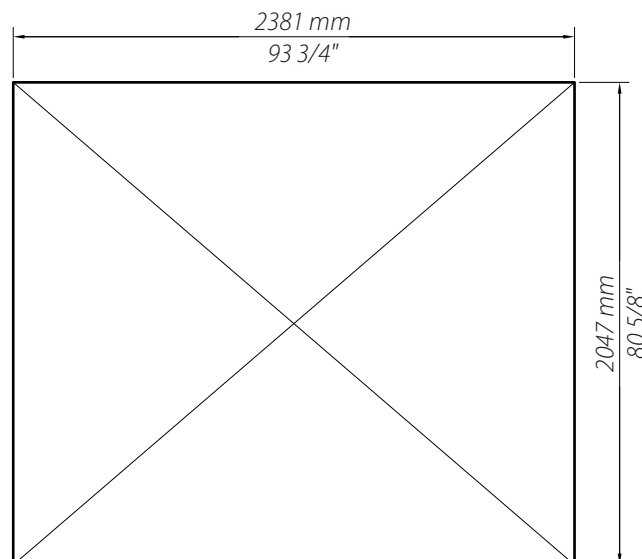
If you are using a soft, natural base, the following will be needed:

- Sand
- Landscape fabric
- 4 x 4 pressure treated lumber suitable for ground contact for the base of the structure
- Hardware for attaching lumber together
- Hardware for mounting the structure to the lumber base
- Gravel
- Tie down kit

If you are using a concrete foundation, the following will be needed:

- Hardware for mounting the structure to the concrete base

Use the following dimensions for the concrete foundation.



LIMITED WARRANTY

Global Shade Corporation offers a limited warranty that this product is free from defects in materials and workmanship for a period of one (1) year from the original date of purchase. At its discretion, **Global Shade Corporation** may provide replacement parts for defective parts to original purchaser after its own review and examination. Original receipt or proof of purchase as well as proof of defect is required. **Global Shade Corporation** will not be responsible for shipping costs incurred outside the continental USA. Warranty is valid for the original purchaser for 1 year from the date of purchase and is not transferable. Regular maintenance of wood, aluminum, and steel components is required to assure the integrity of your product and is a requirement of the warranty. This warranty does not cover any inspection or labor costs.

This Limited Warranty does not cover:

- Labor for replacement of any defective item(s).
- Incidental or consequential damages.
- Cosmetic defects which do not affect performance or integrity.
- Vandalism; improper use or improper installation; acts of nature, including but not limited to wind, storms, hail, floods, excessive water exposure.
- Structural or component failure due to snow loading.
- Minor twisting, warping, checking, cracking, or any other natural occurring properties of wood that do not affect performance or integrity.

Global Shade Corporation's products have been designed for safety and quality. Any modifications made to the original product could damage the structural integrity of the product leading to failure and possible injury. **Global Shade Corporation** cannot assume any responsibility for modified products. Furthermore, modification voids any and all warranties.

All replacement products or parts will assume the remaining warranty of the original product. This warranty gives you specific legal rights. You may also have other rights, which vary from state to state.

This product is warranted for RESIDENTIAL USE ONLY. Global Shade Corporation disclaims all other representations and warranties of any kind, express or implied.

Global Shade Corporation does not warrant against and under no circumstances shall Global Shade Corporation be liable or responsible for any personal loss, injury, or direct or indirect incidental or consequential damages resulting from the use of this product.

This Warranty gives you specific legal rights. You may have other rights as well which vary from state to state or province to province. This warranty excludes all consequential damages, do not allow the limitation or exclusion of consequential damages, and therefore this limitation may not apply to you, however, some states/provinces do not allow the limitation or exclusion of consequential damages, and therefore this limitation may not apply to you.

WARNING:

To reduce the risk of serious injury, read the following safety instructions thoroughly before assembling and using the gazebo.

- Check with your local governing authority/local municipal codes regarding installation and permitting of such structures before assembly.
- Use of personal protective equipment including gloves, safety glasses, and closed toe footwear is recommended during assembly.
- Requires two or more people to assemble and install safely and correctly.
- The product is required to be installed on level solid surface and is not intended for unsecured use. The gazebo is to be anchored to the surface with appropriate bolts or anchors. These anchors need to be purchased separately for the specific installation surface. Do not assemble the greenhouse on soil, earth, or bare ground.
- Ensure enough clearance around the product. Before assembling the product, find level ground no less than 6' (1.8 m) away from any structures or obstructions, such as fences, buildings, or overhead obstacles.
- Do not assemble or install the gazebo underneath electrical lines or above underground utilities.
- Check for underground utilities before digging or driving stakes into the ground.
- This greenhouse is not to be regarded as part of a building/house structure.
- All assembly and maintenance of the product must be carried out by adults only.
- Use all power tools and hand tools in accordance with their respective safety manuals.
- Keep children and pets away while setting up the greenhouse.
- Do not hang heavy weights from the rafters.
- Do not climb onto the roof of the greenhouse for any reason.
- Check all nuts and bolts monthly to ensure bolts/nuts are tightened.
- Check the metal hardware monthly to ensure there are no exposed sharp edges or rust. Sand sharp edges or rust with sandpaper and apply touch up paint. Always use lead free paint that conforms to 16 CRF Part 1303.
- Inspect wood parts monthly. Sand any lifted grain or splinters and apply a sealant over the raw wood. The wood frame is subject to weathering. As with all outdoor wood product, it is necessary to apply a wood sealant to the wood frame to prevent premature weathering.

Parts List

ATTENTION:

1. Please check the manual carefully and make sure you have received all the parts.
2. If there is any missing, please let us know the letter of the parts you need.
3. If there is any damage, please send clear photos to us, we will check and offer you best solution soon.

SKU: WGH51V2-NAT

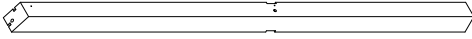
Box A		Box B		Box C		Box D		Box E	
Part #	Qty	Part #	Qty	Part #	Qty	Part #	Qty	Part #	Qty
04	1	01	1	20	3	47	2	13	1
05	1	02	1	46	2	48	1	16	1
06	1	03	1	47	2	50	1	17	1
07	1	11	1	49	1	51	3	18	2
08	1	14	1	62	3	57	2	19	2
09	1	15	2	63	8	69	1	21	1
26	1	32	1	68	1	84	6	22	1
27	1	34	1	69	4	91	1	24	1
29	1	38	1	74	1	109	1	25	1
53	1	39	1	75	1	PC-03	2	31	1
71	1	40	1	76	1	PC-04	2	36	4
72	1	43	1	86	1	PC-06	1	41	3
73	2	54	2	113	1			42	1
77	6	55	1	PC-01	2			45	2
82	1	56	1	PC-02	2			85	1
83	1	58	3	PC-05	7			88	1
92	3	65	2	PC-07	6			Hardwares	
93	2	78	1	PC-08	2				
Manual	1	79	1	PC-09	1				
		81	1						
		87	1						
		111	4						
		112	5						

Part List

(01) Front left post _ 1 pc



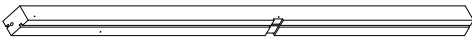
(02) Front right post _ 1 pc



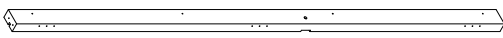
(03) Back left post _ 1 pc



(04) Back right post _ 1 pc



(05) Left door post _ 1 pc



(06) Right door post _ 1 pc



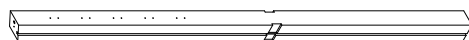
(07) Back neutral left post _ 1 pc



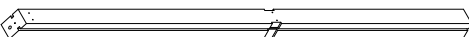
(08) Back neutral right post _ 1 pc



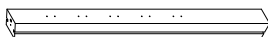
(09) Left wall front post _ 1 pc



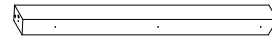
(11) Right wall front post _ 1 pc



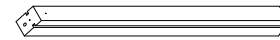
(13) Upper left front post _ 1 pc



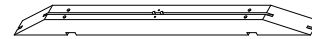
(14) Upper left back post _ 1 pc



(15) Upper right front post _ 2 pcs



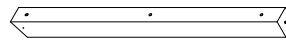
(16) Front gable beam _ 1 pc



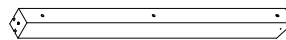
(17) Back gable beam _ 1 pc



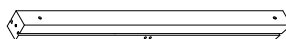
(18) Right roof rafter _ 2 pcs



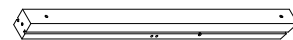
(19) Left roof rafter _ 2 pcs



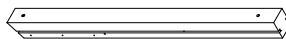
(20) Mid rafter of left roof _ 3 pcs



(21) Mid rafter of right roof 1 _ 1 pc



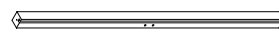
(22) Mid right roof rafter 2 _ 1 pc



(24) Vent roof rafter _ 1 pc

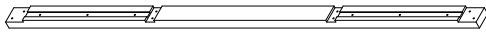


(25) Bottom vent block _ 1 pc



Part List

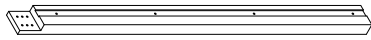
(26) Front base _ 1 pc



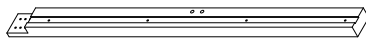
(27) Back base _ 1 pc



(29) Side base 2 _ 1 pc



(31) Side base 4 _ 1 pc



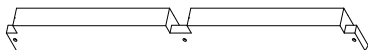
(32) Roof peak 1 _ 1 pc



(34) Roof peak 3 _ 1 pc



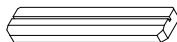
(36) Side wall top _ 4 pcs



(38) Front left wall sill _ 1 pc



(39) Front right wall sill _ 1 pc



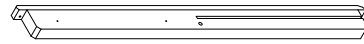
(40) Back wall sill _ 1 pc



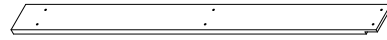
(41) Side wall sill 1 _ 3 pcs



(42) Side wall sill 2 _ 1 pc



(43) Roof peak 2 _ 1 pc



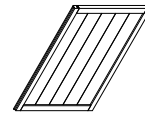
(45) Peak spacer _ 2 pcs



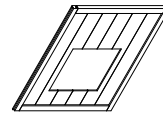
(46) Upright support _ 2 pcs



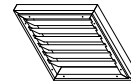
(47) Front/Back wall panel _ 4 pcs



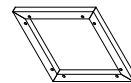
(48) Vent wall panel _ 1 pc



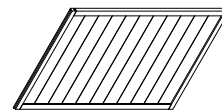
(49) Shutter _ 1 pc



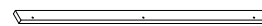
(50) Shutter fix frame _ 1 pc



(51) Side wall panel _ 3 pcs



(53) Vent roof panel block _ 1 pc

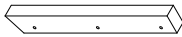


(54) Guide spacer _ 2 pcs

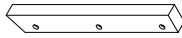


Part List

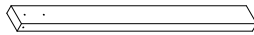
(55) Inside vent left block _ 1 pc



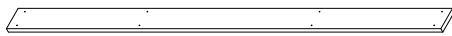
(56) Inside vent right block _ 1 pc



(57) Folding frame fixed strip _ 2 pcs



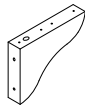
(58) Back folding shelf slat _ 3 pcs



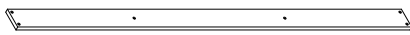
(62) Limit block folding shelf _ 3 pcs



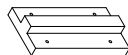
(63) Upper Shelf support plate _ 8 pcs



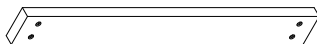
(65) Back upper shelf slat _ 2 pcs



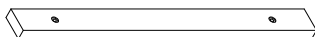
(68) Upper shelf connecting block _ 1 pc



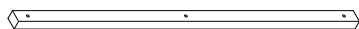
(69) Window rail _ 5 pcs



(71) Side window horizontal bar _ 1 pc



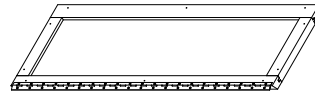
(72) Top door block _ 1 pc



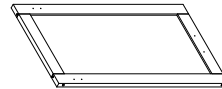
(73) Side door block _ 2 pcs



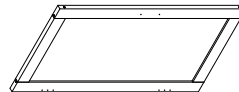
(74) Vent roof panel _ 1 pc



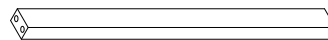
(75) Side window panel _ 1 pc



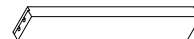
(76) Front window panel _ 1 pc



(77) PC sheet bracket _ 6 pcs



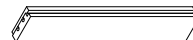
(78) Upper cross bar of door _ 1 pc



(79) Mid cross bar door _ 1 pc



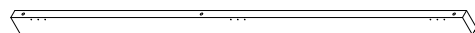
(81) Lower cross bar door _ 1 pc



(82) Left post of door _ 1 pc



(83) Right post of door _ 1 pc



(84) Lower upright of door _ 6 pcs

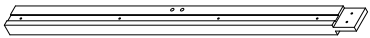


Part List

(85) Side base 5 _ 1 pc



(86) Side base 6 _ 1 pc



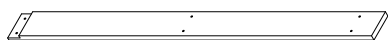
(87) Roof peak 5 _ 1 pc



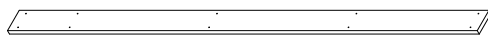
(88) Roof peak 6 _ 1 pc



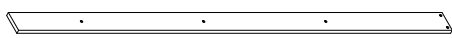
(91) Roof peak 3 _ 1 pc



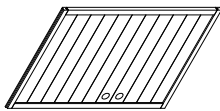
(92) Front folding shelf slat _ 3 pcs



(93) Front upper shelf slat _ 2 pcs



(109) Side wall panel with pre-drilled holes _ 1 pc



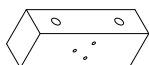
(111) Folding shelf bracket 1 _ 4 pcs



(112) Folding shelf bracket 2 _ 5 pcs



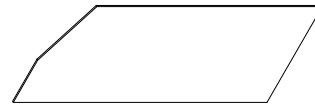
(113) Support block of barometric rod _ 1 pc



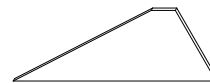
(PC-01) Left front/back side PC sheet _ 2 pcs



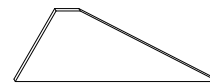
(PC-02) Right front/back side PC sheet _ 2 pcs



(PC-03) Left gable PC sheet _ 2 pcs



(PC-04) Right gable PC sheet _ 2 pcs



(PC-05) Side wall PC sheet _ 7 pcs



(PC-06) Back centre PC sheet _ 1 pc



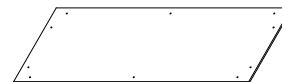
(PC-07) Roof PC sheet _ 6 pcs



(PC-08) Small roof PC sheet _ 2 pcs



(PC-09) The skylight cover PC sheet _ 1 pc



Part List

(a) Wood screw : 10#*100 _ 60+2 pcs



(b) Wood screw : 10#*80 _ 36+2 pcs



(c) Wood screw : 8#*25 _ 54+2 pcs



(d) Wood screw : 8#*50 _ 91+2 pcs



(e) Wood screw : 8#*45 _ 18+1 pcs



(f) Wood screw : 8#*30 _ 173+5 pcs



(g) :Wood screw 7#*20 _ 109+5 pcs



(h) Wood screw : 7#*14 _ 17+1 pcs



(i) Wooden tenons : Ø8*30 _ 24+3 pcs



(j) Wooden tenons : Ø10*40 _ 38+3 pcs



(k) EPDM washer : Ø15*5 _ 65+2 pcs



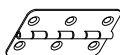
(l) Small corner bracket : 18*18*20 _ 2 pcs



(m) Big corner bracket : 95*95*28 _ 4 pcs



(n) Square hinge-black : 75*43*5 _ 7 pcs



(o) Sliding barrel bolt-black _ 1 pc

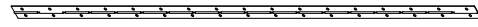


(p) Door pull _ 3 pcs



(q) Continuous hinge-black _ 1 pc

(The piano hinge has been pre-installed on the vent roof panel)



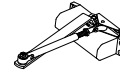
(r) Aluminum single spring window opener _ 1 pc



(r-1) Window opener screw : 7#*20 _ 8 pcs



(s) Door closer _ 1 pc



(s-1) Door closer screw : 10#*30 _ 6 pcs



(t) PC U-Channel _ 15 pcs



(u) Flower Basket guide rails _ 5 pcs



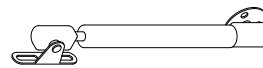
(v) Basket hooks _ 10 pcs



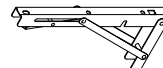
(w) Sealant _ 300ml tube _ 3 pcs



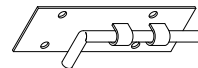
(x) Barometric rod _ 3 pcs



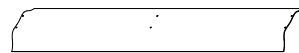
(y) Folding bracket- 4 pcs



(z) Small sliding barrel bolt _ 2 pcs



(A) PVC film _ 1 pc



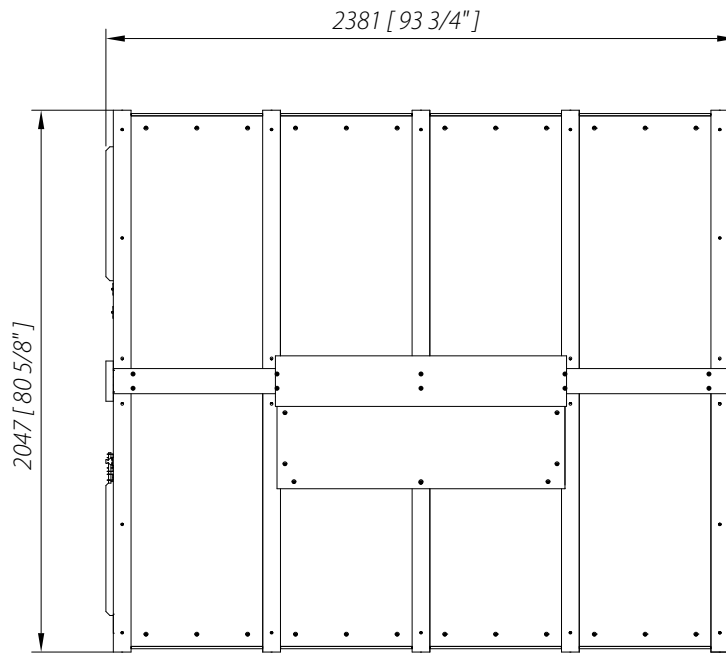
(B) S-hook _ 5 pcs



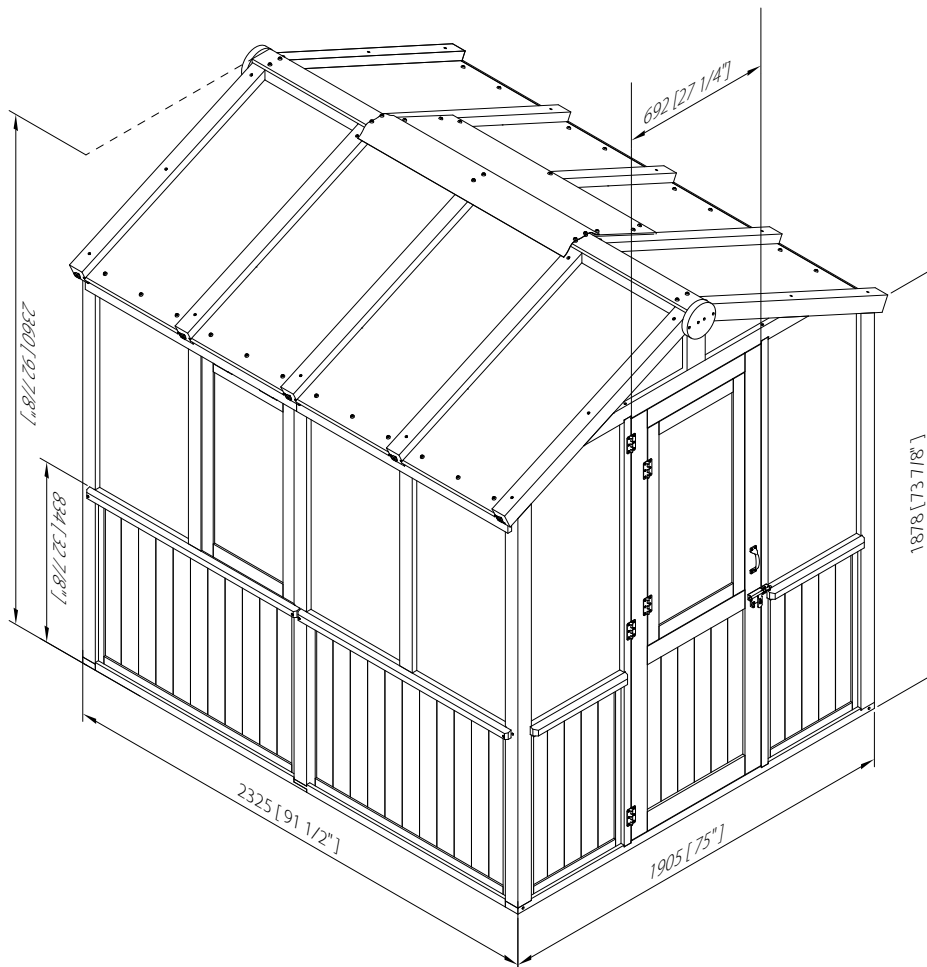
(D) Aperture cap _ 2 pcs



Unit: mm [inch]



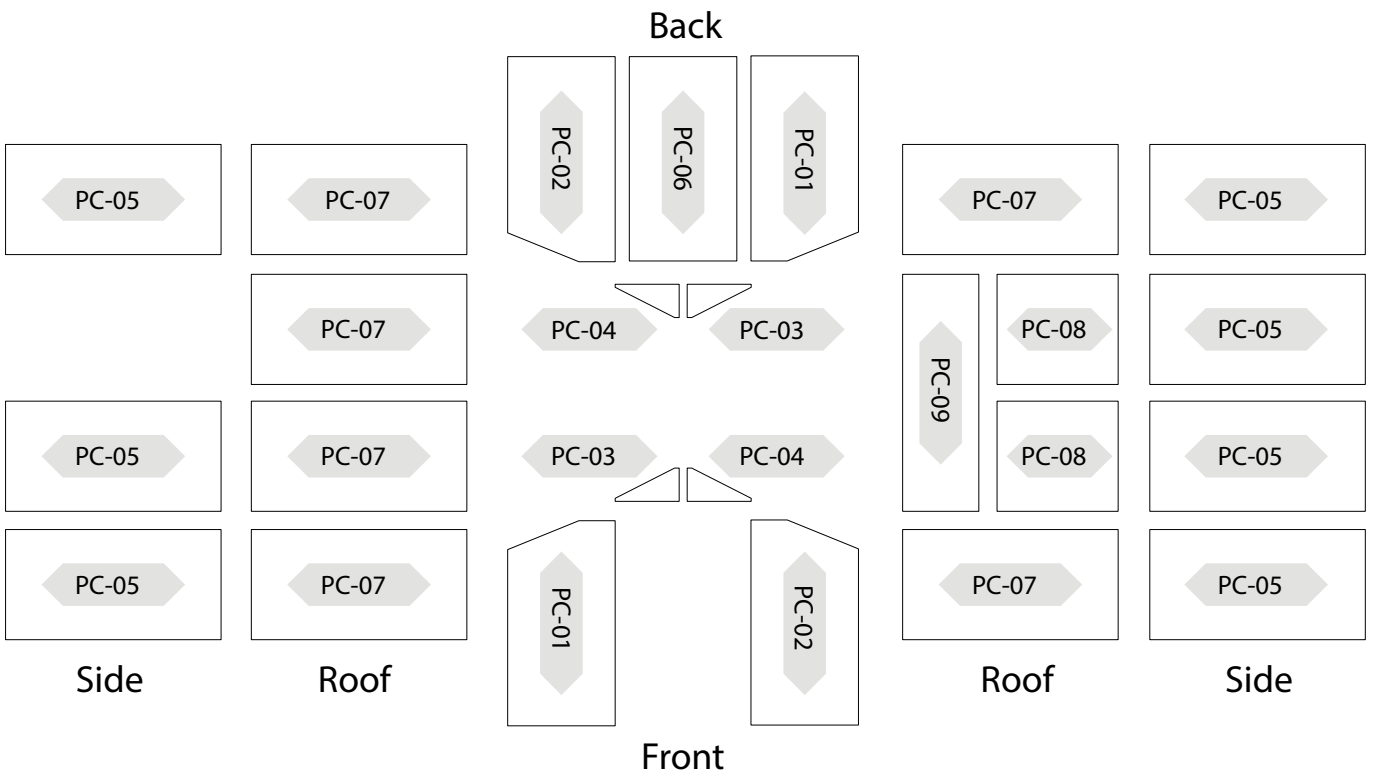
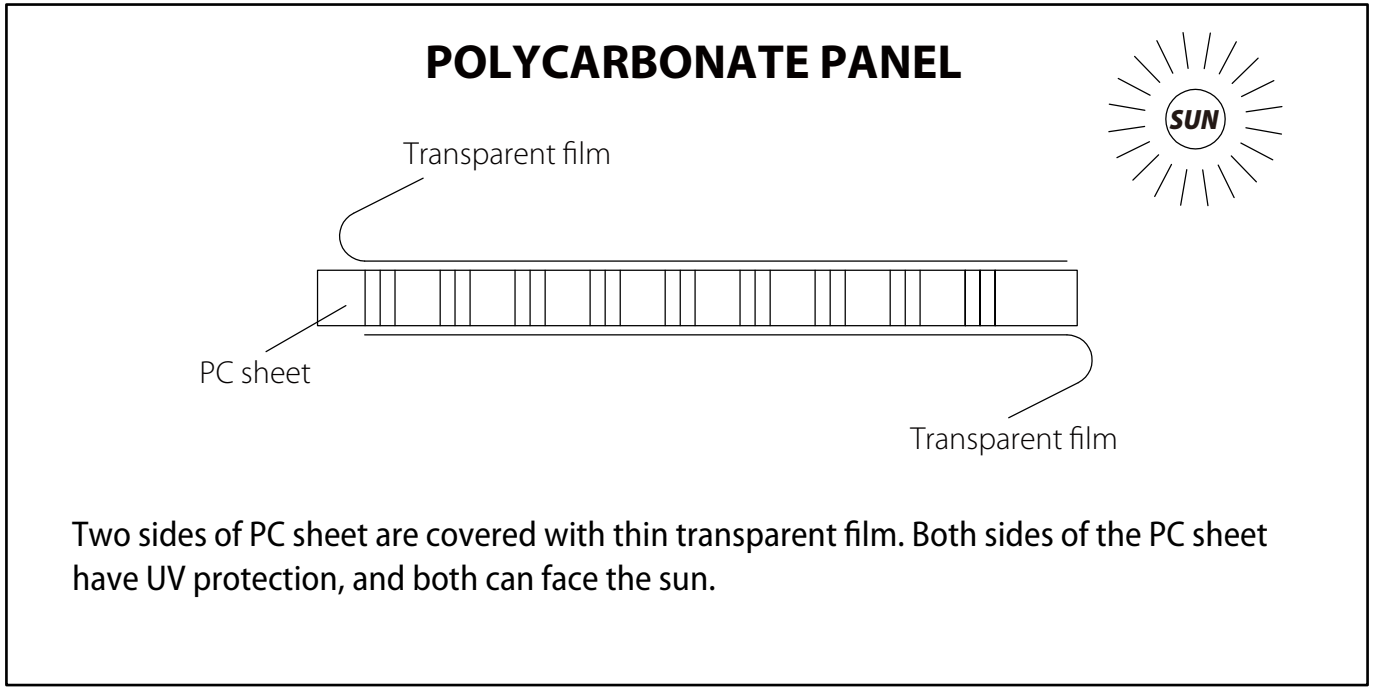
Roof Dimension



Polycarbonate

Notes:

1. The thickness of the PC sheet is 6 mm.
2. Peel approximately 2 inches of film from all sheet edges before installing. Remove all film immediately after the constructions completed.



Polycarbonate sheets distribution diagram

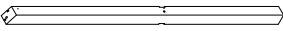
Step 1

Front wall assembly

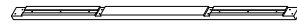
1. Front left post (01) _ 1 pc



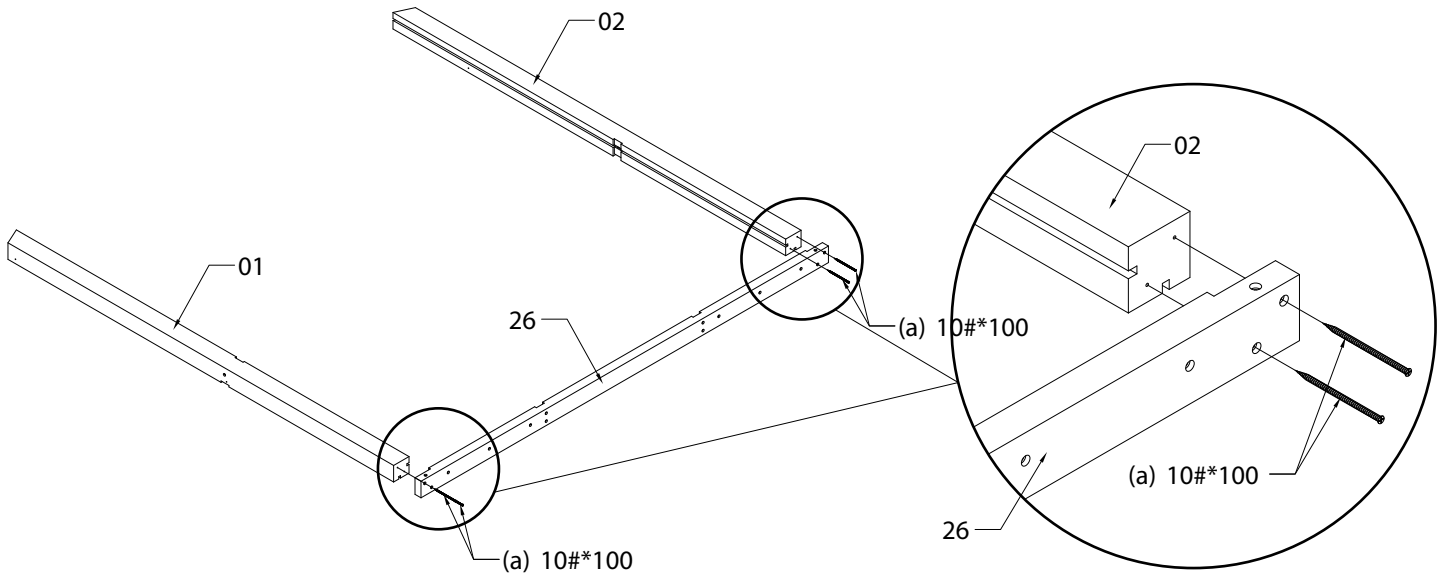
2. Front right post (02) _ 1 pc



3. Front base (26) _ 1 pc



4. Wood screw (a) : 10#*100 _ 4 pcs



Part 1

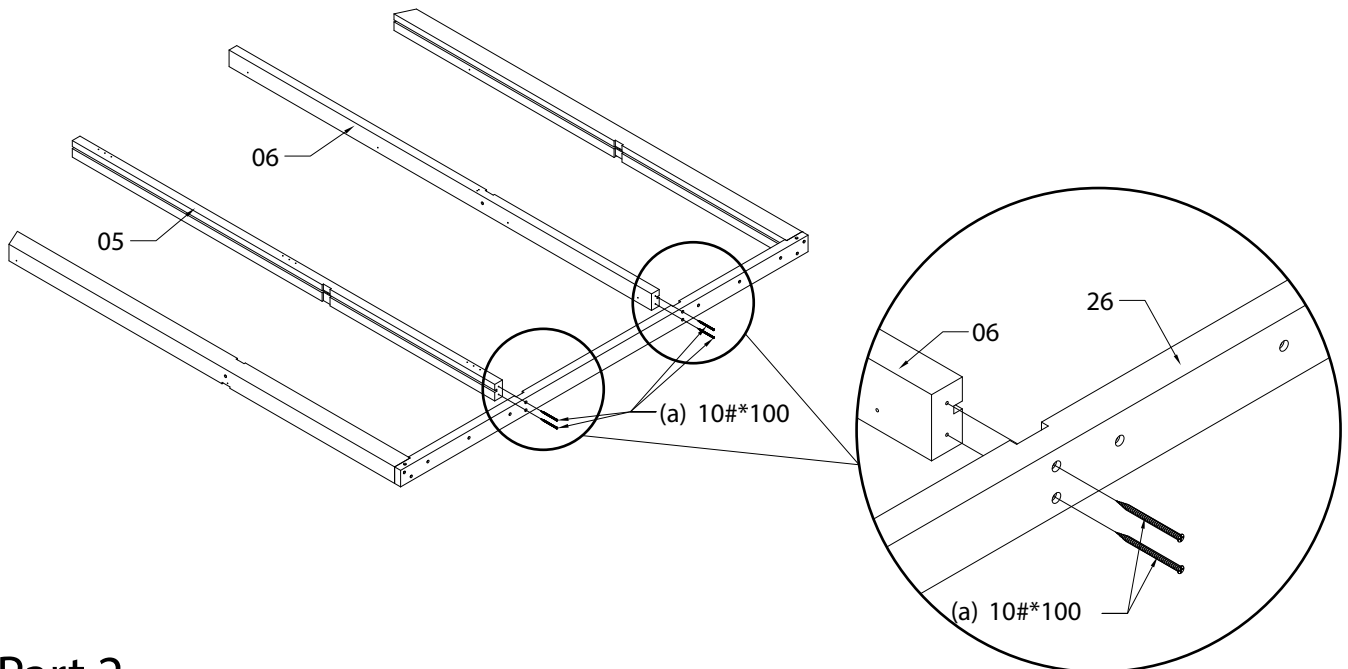
1. Left door post (05) _ 1 pc



2. Right door post (06) _ 1 pc



3. Wood screw (a) : 10#*100 _ 4 pcs



Part 2

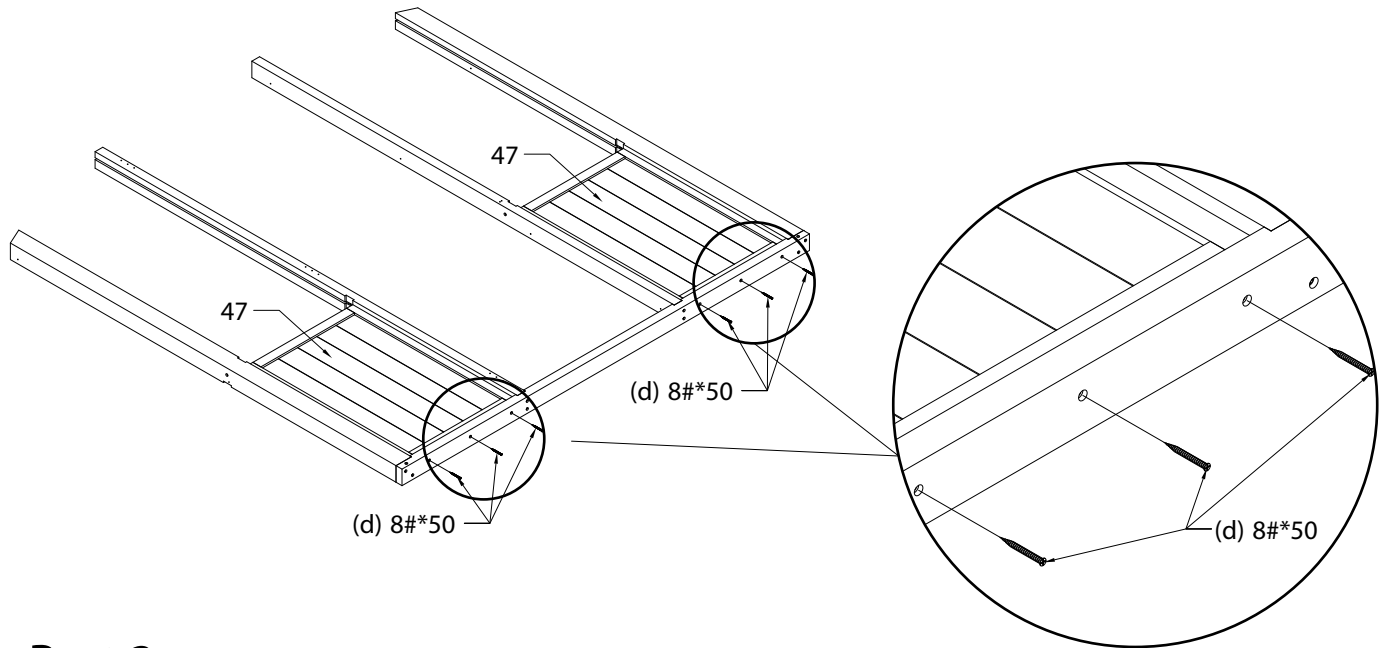
Step 1

Front wall assembly

1. Front/Back wall panel (47) _ 2 pcs



2. Wood screw (d) : 8#*50 _ 6 pcs



Part 3

1. Front left wall sill (38) _ 1 pc



2. Front right wall sill (39) _ 1 pc



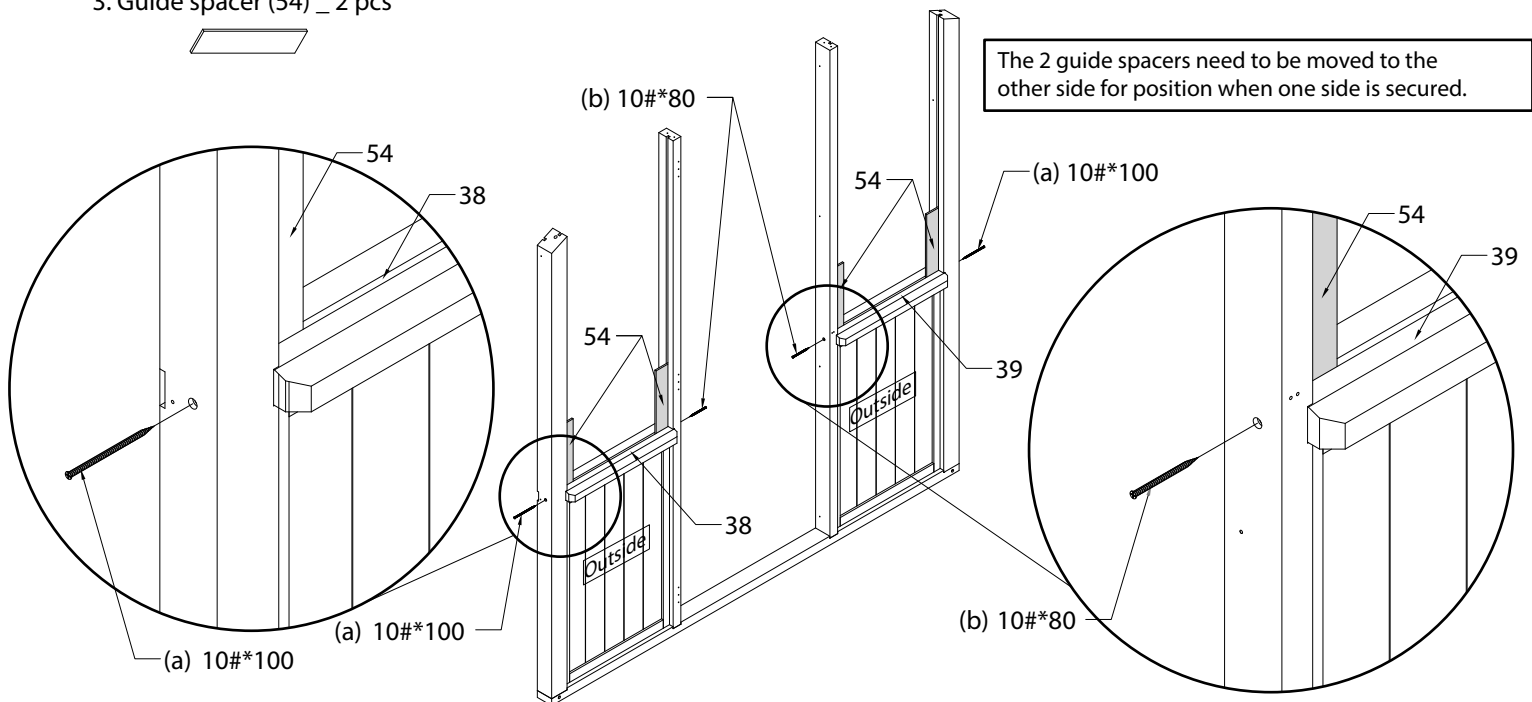
3. Guide spacer (54) _ 2 pcs



4. Wood screw (a) : 10#*100 _ 2 pcs



5. Wood screw (b) : 10#*80 _ 2 pcs

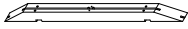


Part 4

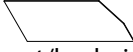
Step 1

Front wall assembly

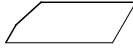
1. Front gable beam (16) _ 1 pc



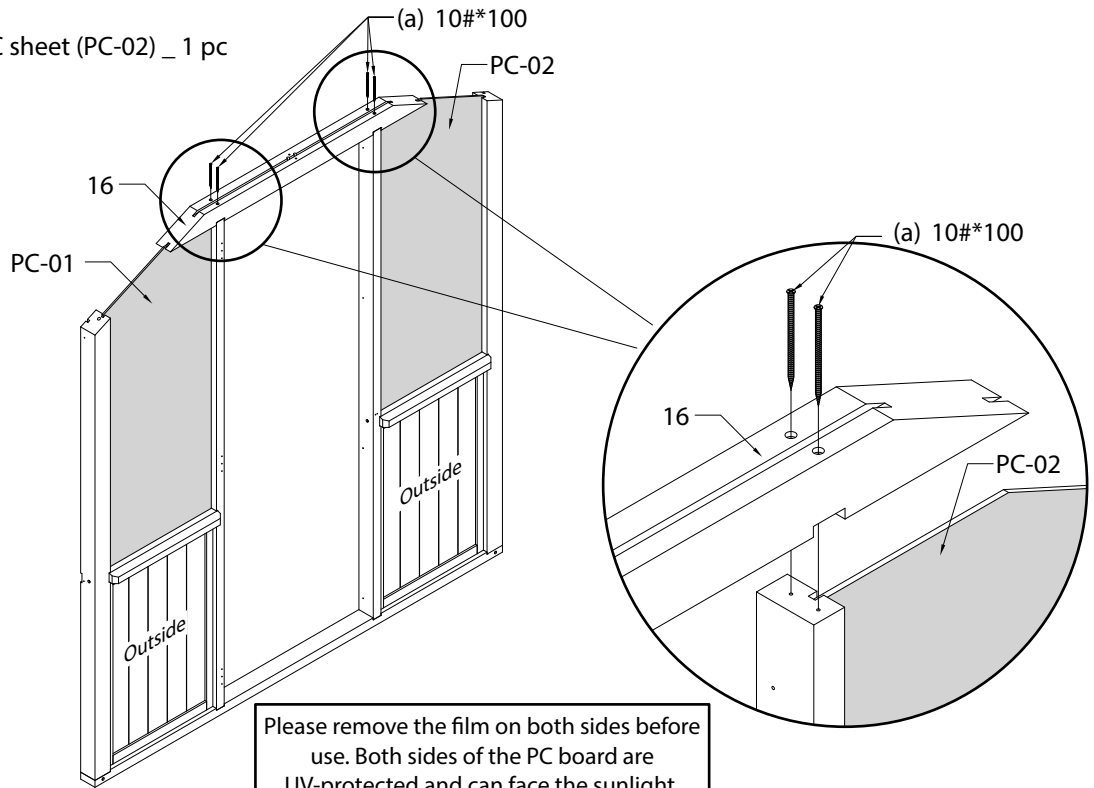
2. Left front/back side PC sheet (PC-01) _ 1 pc



3. Right front/back side PC sheet (PC-02) _ 1 pc



4. Wood screw (a) : 10#*100 _ 4 pcs

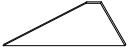


Part 5

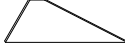
1. Upright support (46) _ 1 pc



2. Left gable PC sheet (PC-03) _ 1 pc



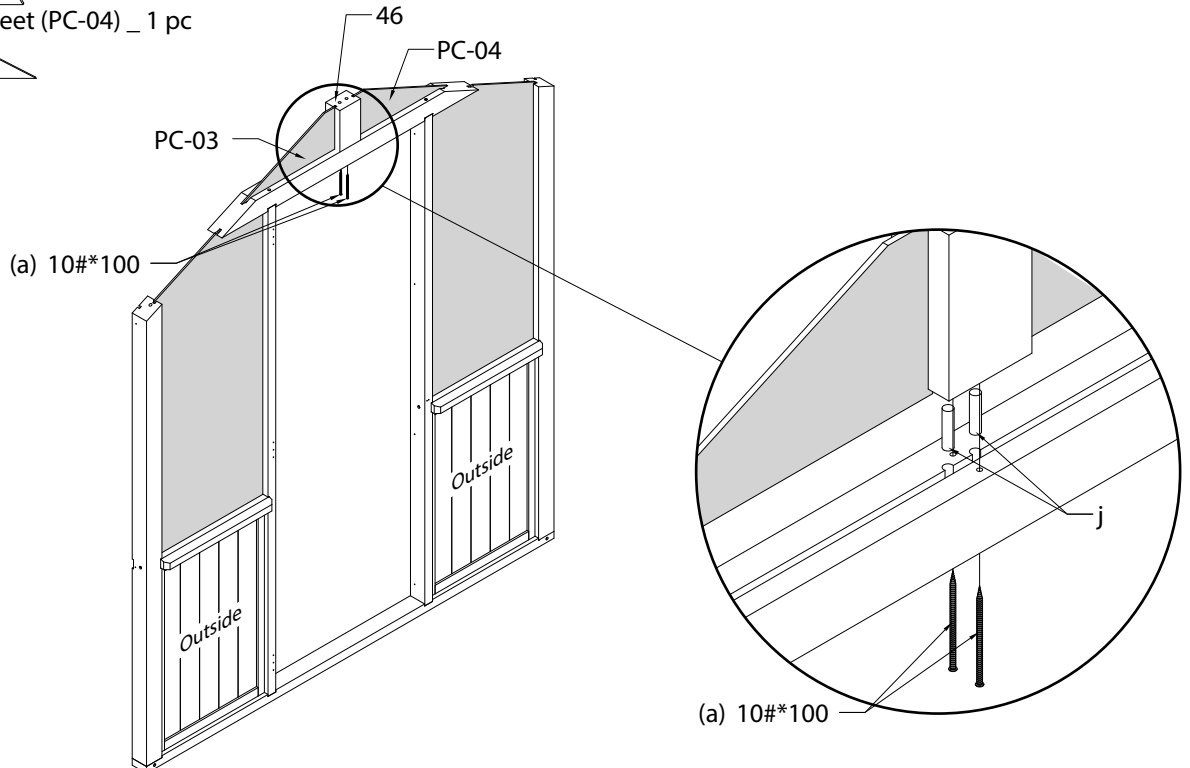
3. Right gable PC sheet (PC-04) _ 1 pc



4. Wood screw (a) : 10#*100 _ 2 pcs



5. Wooden tenons (j) : Ø10*40 _ 2 pcs



Part 6

Step 2

Back wall assembly

1. Back left post (03) _ 1 pc



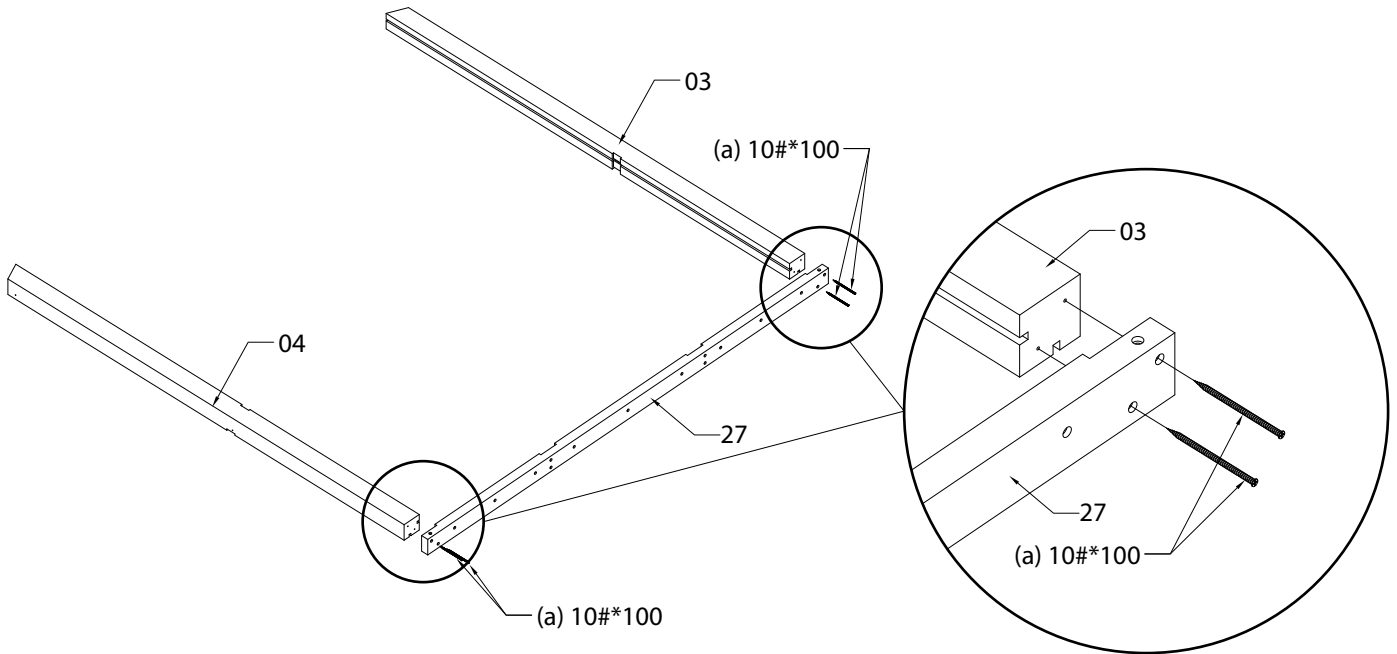
2. Back right post (04) _ 1 pc



3. Back base (27) _ 1 pc



4. Wood screw (a) : 10#*100 _ 4 pcs



Part 1

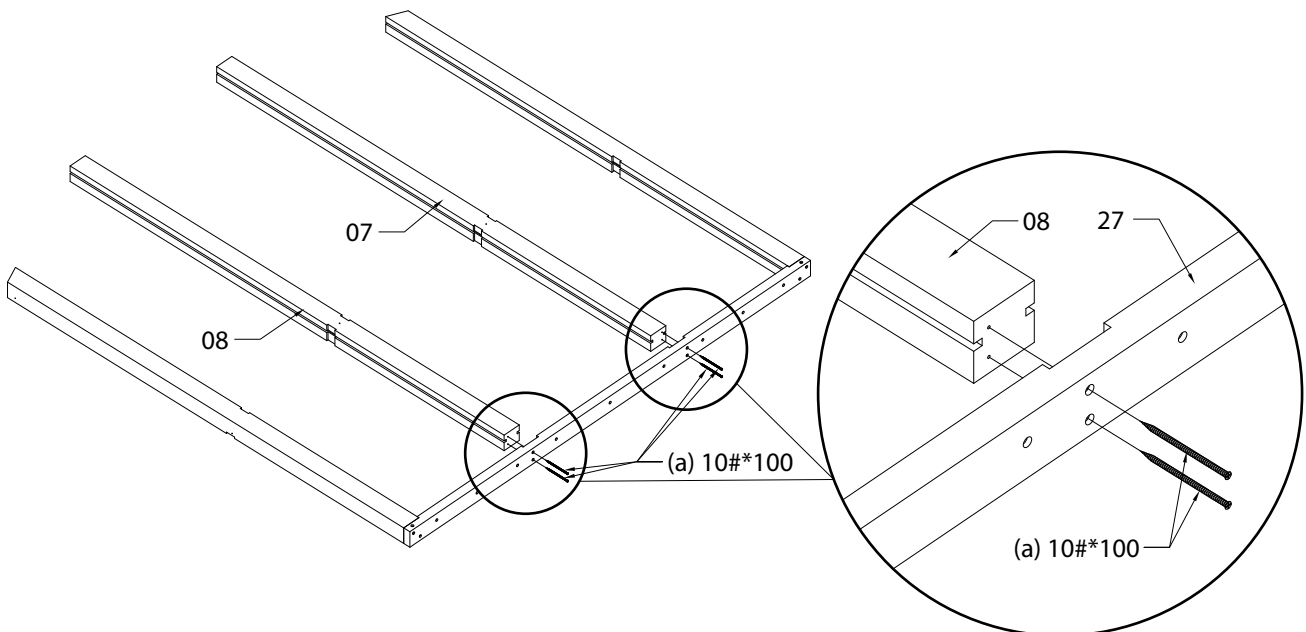
1. Back neutral left post (07) _ 1 pc



2. Back neutral right post (08) _ 1 pc



3. Wood screw (a) : 10#*100 _ 4 pcs

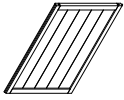


Part 2

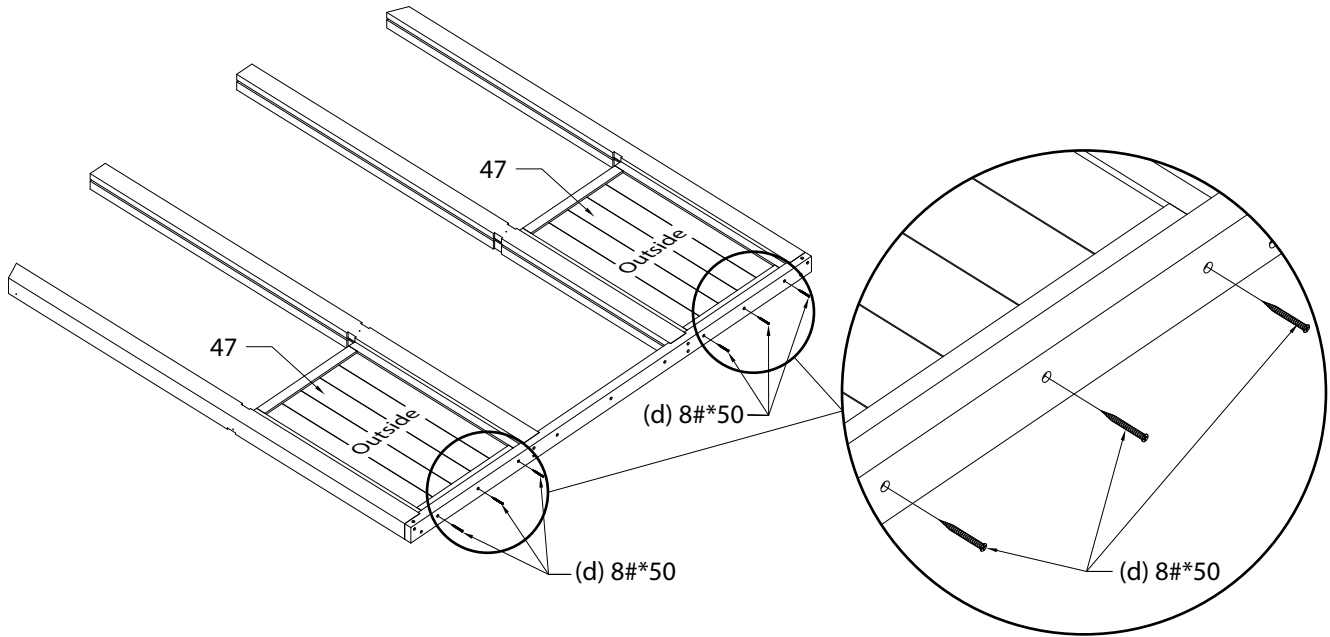
Step 2

Back wall assembly

1. Front/Back wall panel (47) _ 2 pcs

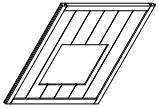


2. Wood screw (d) : 8#*50 _ 6 pcs

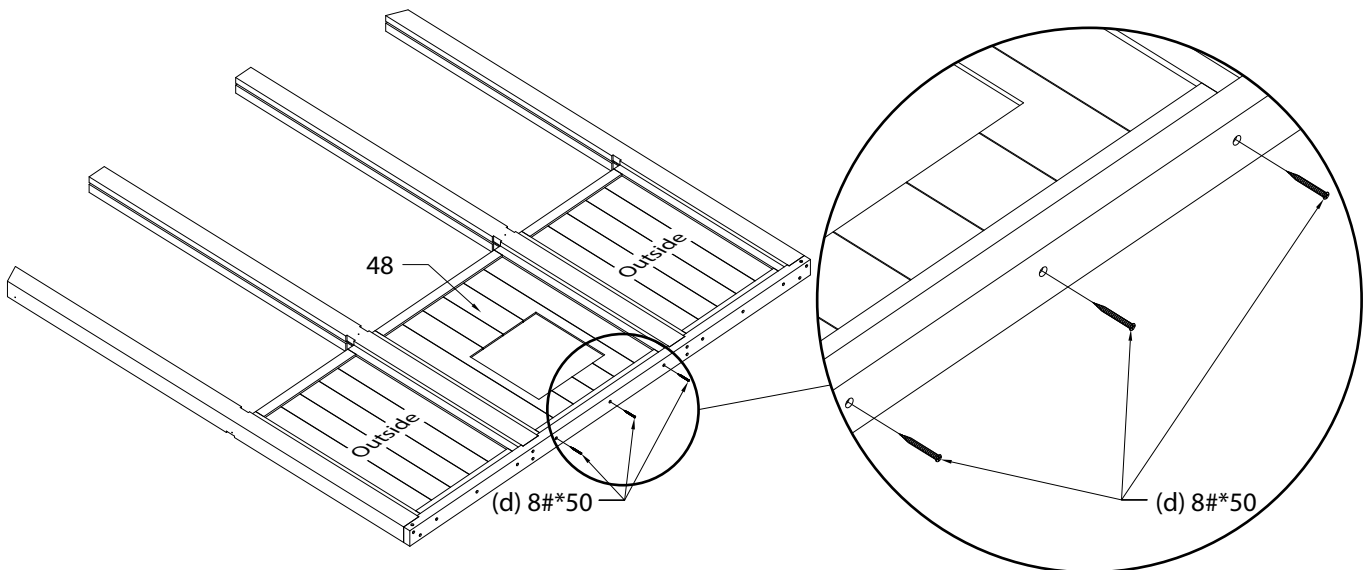


Part 3

1. Vent wall panel (48) _ 1 pc



2. Wood screw (d) : 8#*50 _ 3 pcs



Part 4

Step 2

Back wall assembly

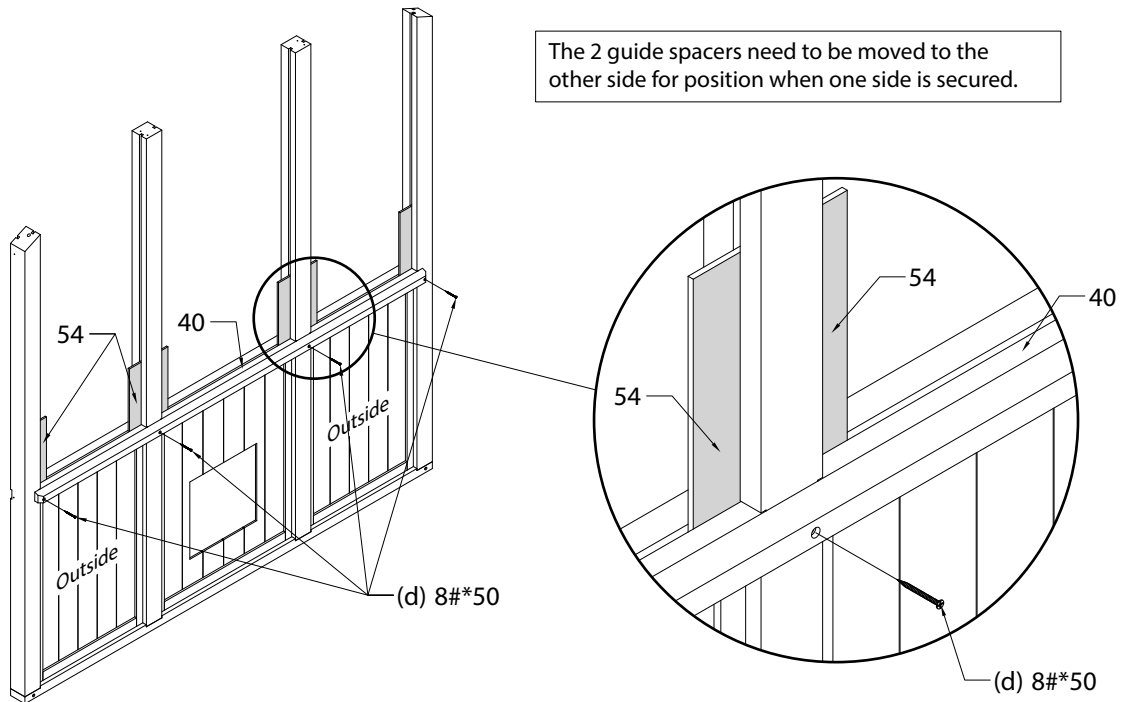
1. Back wall sill (40) _ 1 pc



2. Guide spacer (54) _ 2 pcs



3. Wood screw (d) : 8#*50 _ 4 pcs



Part 5

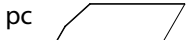
1. Back gable beam (17) _ 1 pc



2. Left front/back side PC sheet (PC-01) _ 1 pc



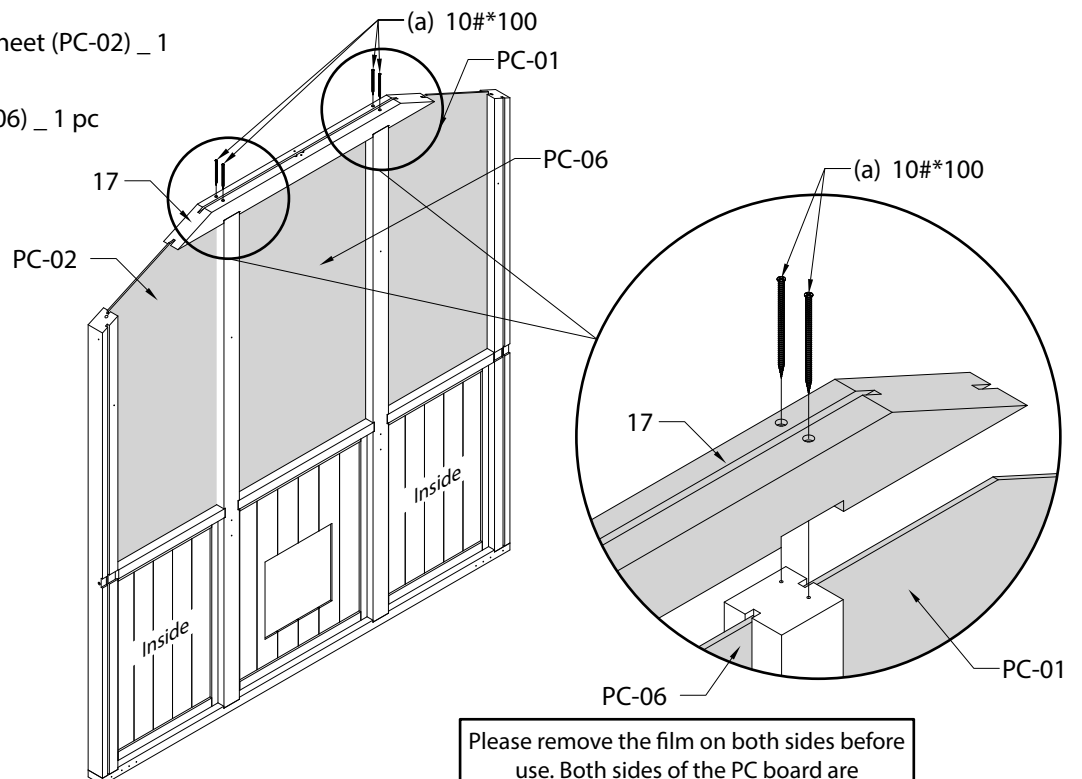
3. Right front/back side PC sheet (PC-02) _ 1 pc



4. Back center PC sheet (PC-06) _ 1 pc



5. Wood screw (a) : 10#*100 _ 4 pcs



Part 6

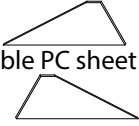
Step 2

Back wall assembly

1. Upright support (46) _ 1 pc



2. Left gable PC sheet (PC-03) _ 1 pc

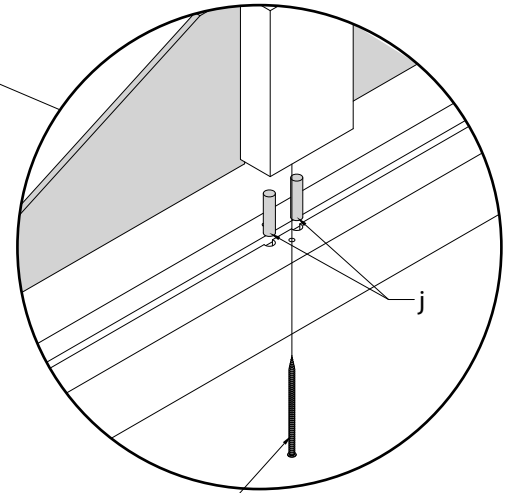
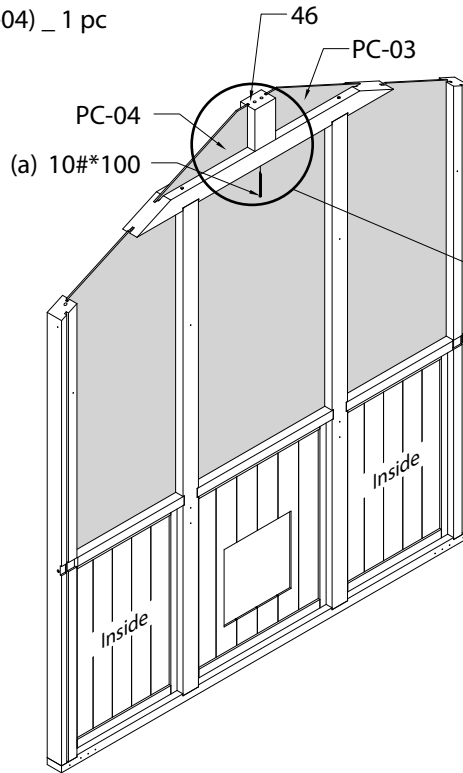


3. Right gable PC sheet (PC-04) _ 1 pc

4. Wood screw (a) : 10#*100 _ 2 pcs



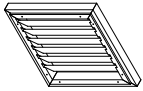
5. Wooden tenons (j) : Ø10*40 _ 2 pcs



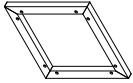
(a) 10#*100

Part 7

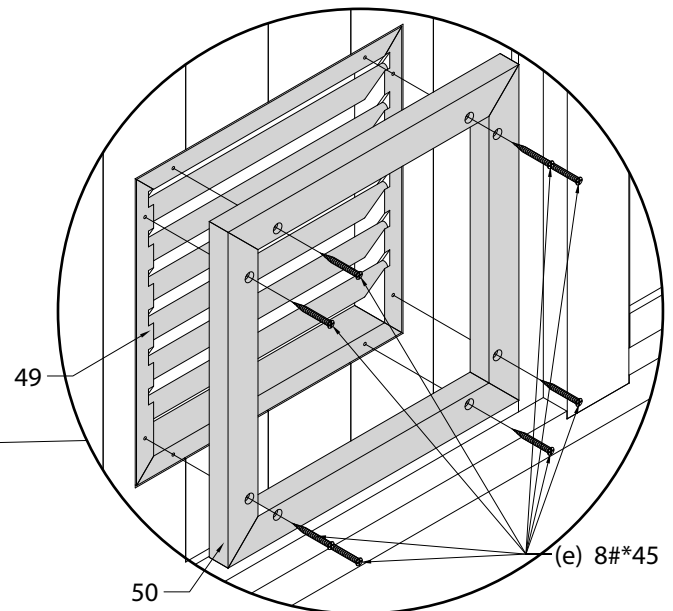
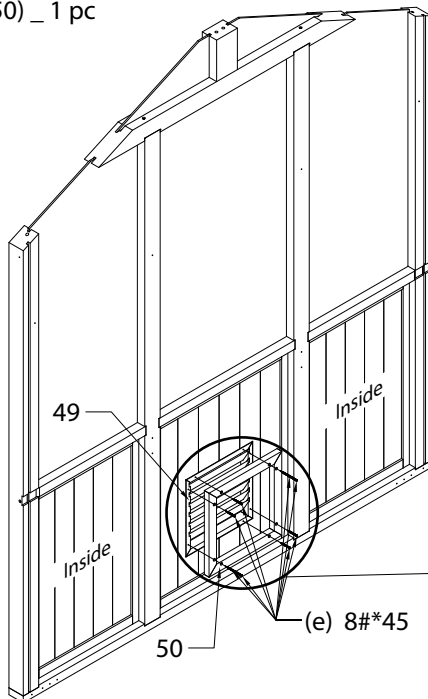
1. Shutter (49) _ 1 pc



2. Shutter fix frame (50) _ 1 pc



3. Wood screw (e) : 8#*45 _ 8 pcs



Part 8

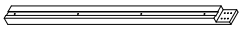
Step 3

Side wall assembly

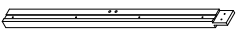
1. Side base 5 (85) _ 1 pc



2. Side base 2 (29) _ 1 pc



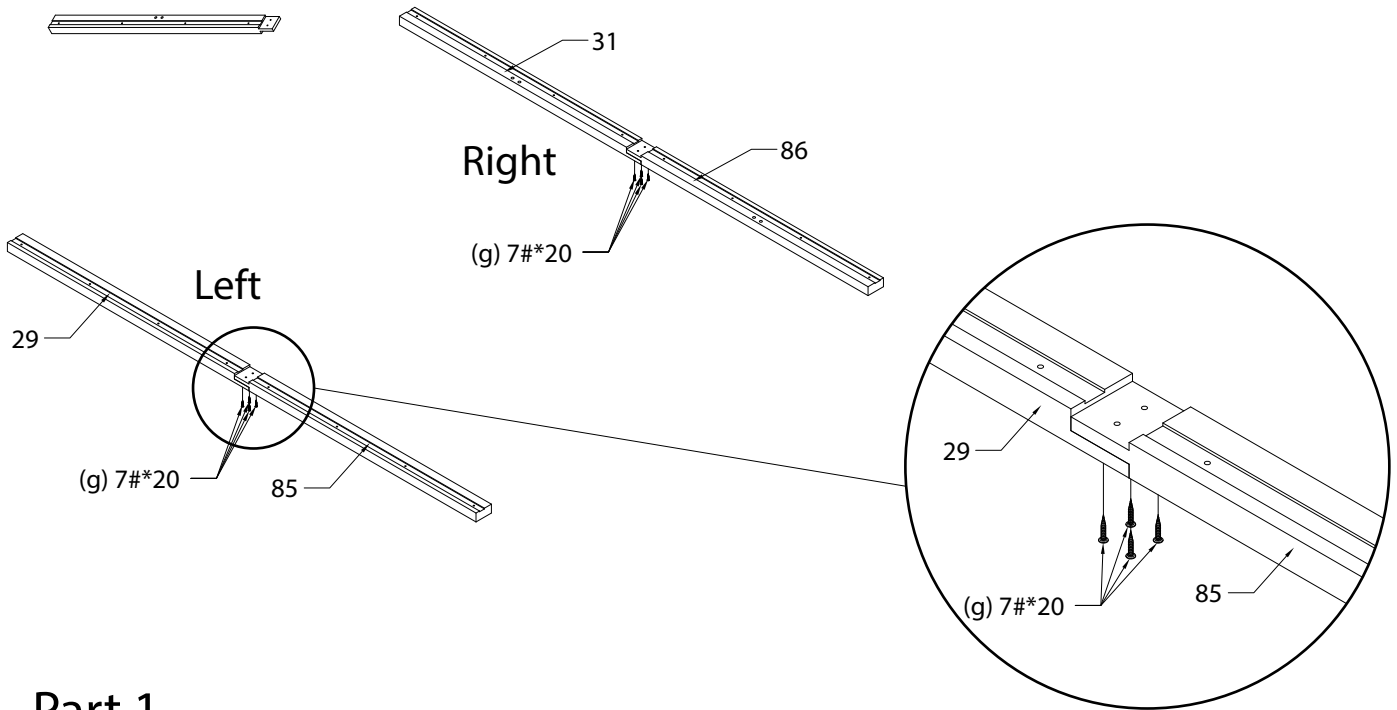
3. Side base 6 (86) _ 1 pc



4. Side base 4 (31) _ 1 pc



5. Wood screw (g) : 7#*20 _ 8 pcs



Part 1

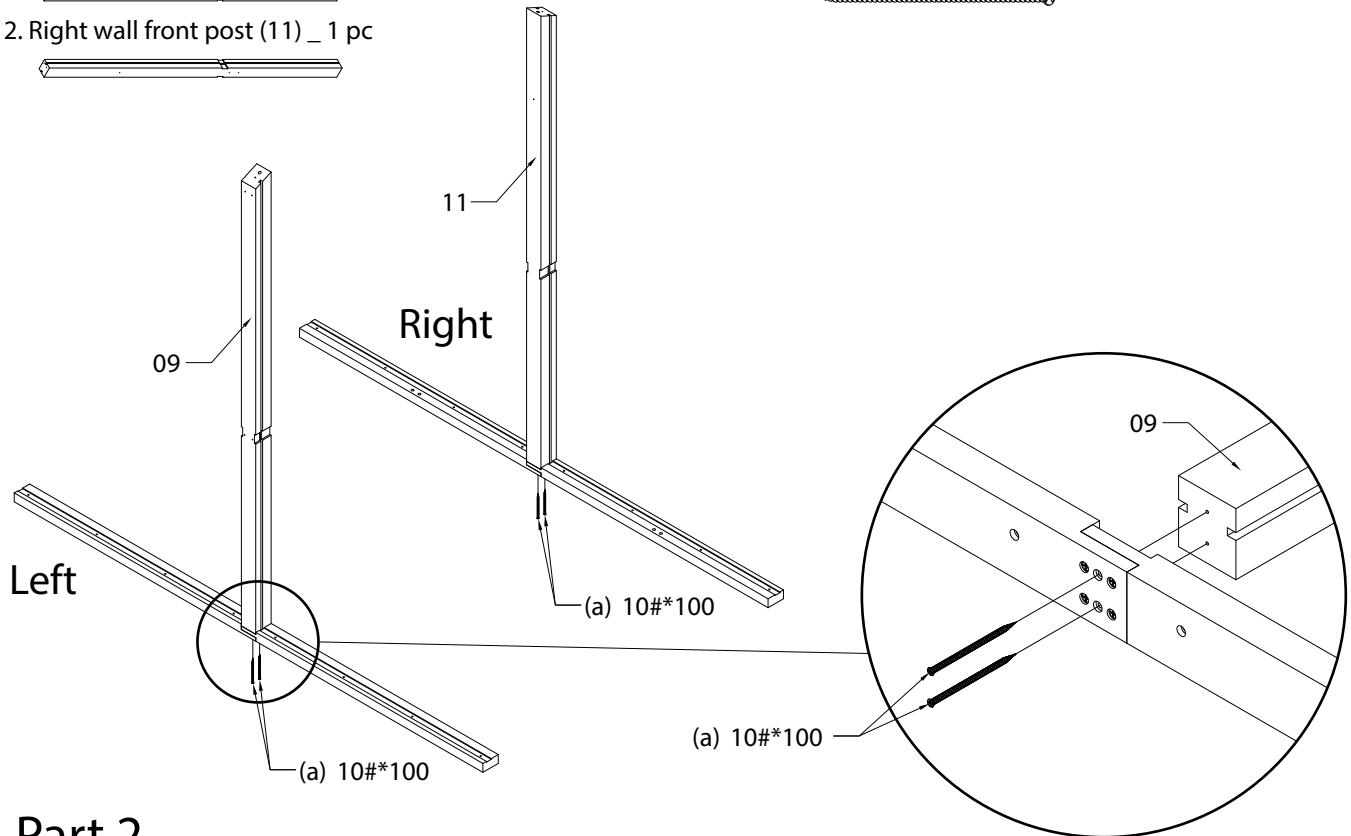
1. Left wall front post (09) _ 1 pc



2. Right wall front post (11) _ 1 pc



3. Wood screw (a) : 10#*100 _ 4 pcs

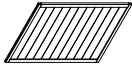


Part 2

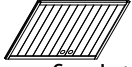
Step 3

Side wall assembly

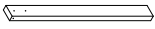
1. Side wall panel (51) _ 3 pcs



2. Side wall panel with pre-drilled holes (109) _ 1 pc



3. Folding frame fixed strip (57) _ 2 pcs



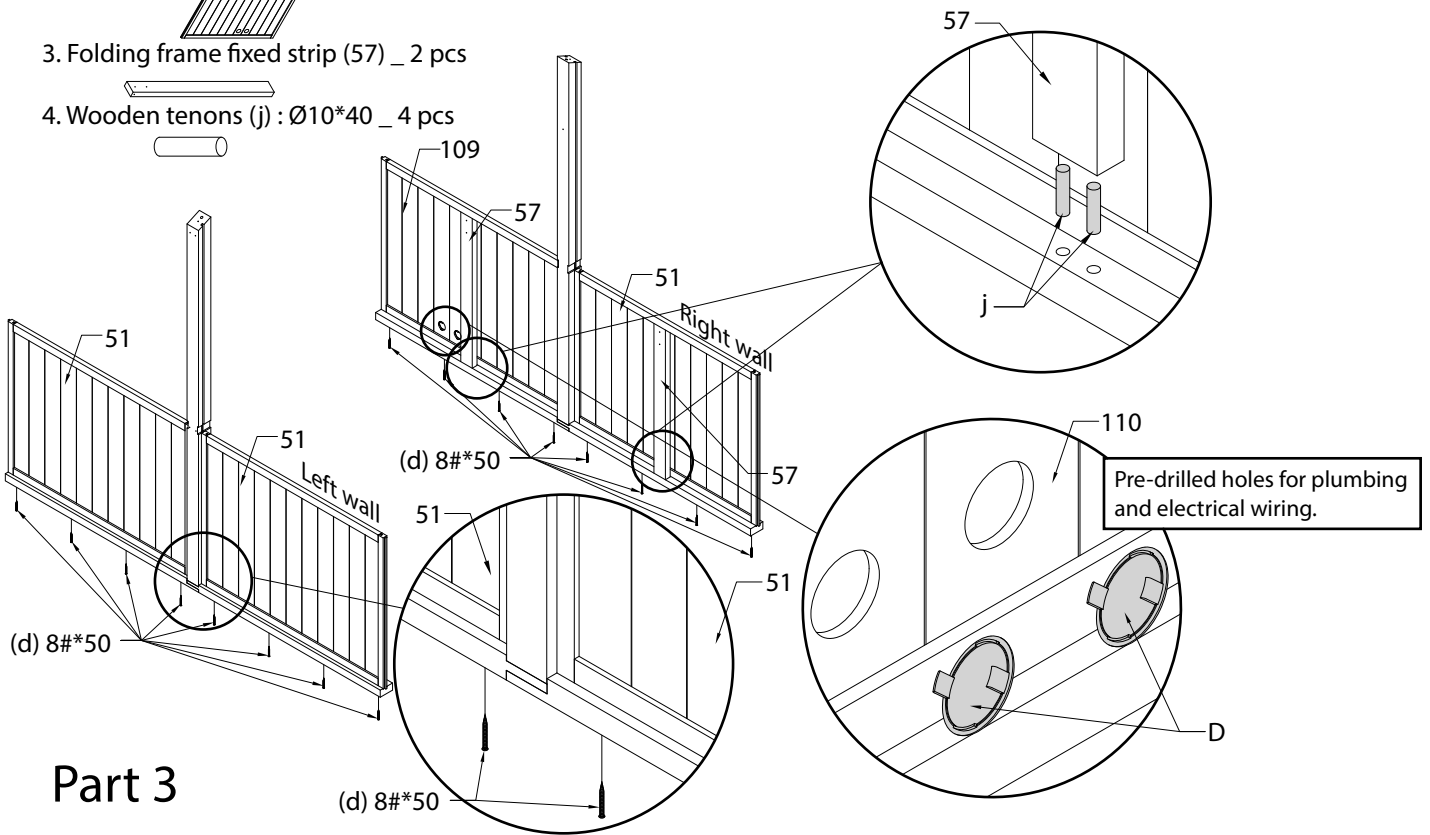
4. Wooden tenons (j) : Ø10*40 _ 4 pcs



5. Wood screw (d) : 8#*50 _ 16 pcs



6. Aperture cap (D) _ 2 pcs



Part 3

1. Side wall sill 1 (41) _ 2 pcs



2. Guide spacer (54) _ 2 pcs



3. Wood screw (d) : 8#*50 _ 4 pcs



4. Wood screw (a) : 10#*100 _ 2 pcs



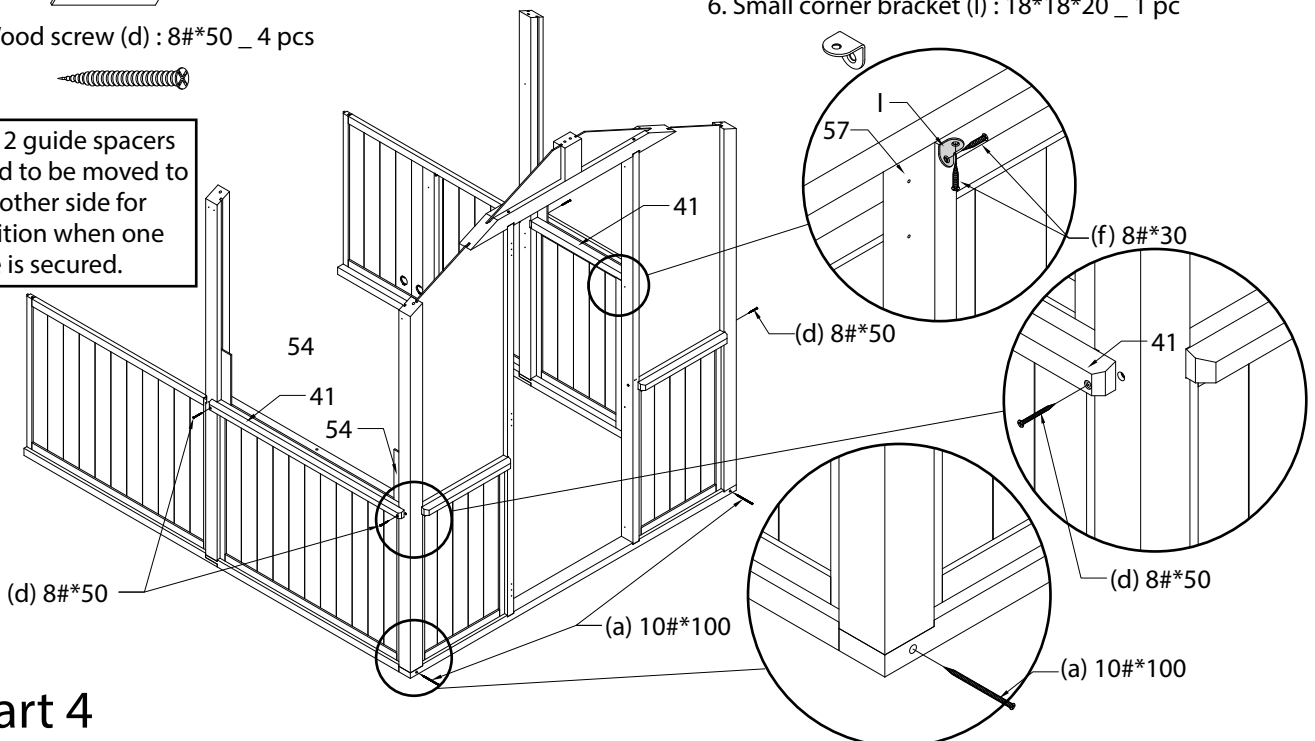
5. Wood screw (f) : 8#*30 _ 2 pcs



6. Small corner bracket (l) : 18*18*20 _ 1 pc



The 2 guide spacers need to be moved to the other side for position when one side is secured.



Part 4

Step 3

Side wall assembly

1. Side wall sill 1 (41) _ 1 pc



2. Side wall sill 2 (42) _ 1 pc



3. Guide spacer (54) _ 2 pcs



4. Wood screw (d) : 8#*50 _ 4 pcs



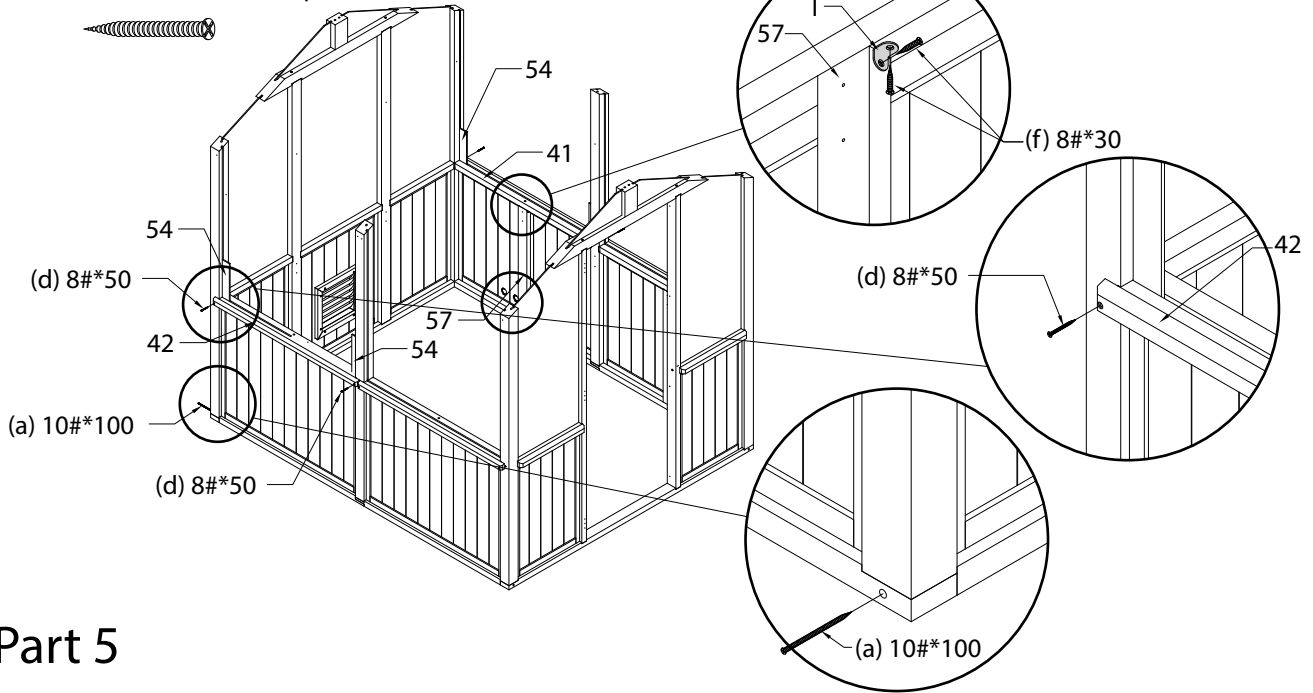
5. Wood screw (a) : 10#*100 _ 2 pcs



6. Wood screw (f) : 8#*30 _ 2 pcs

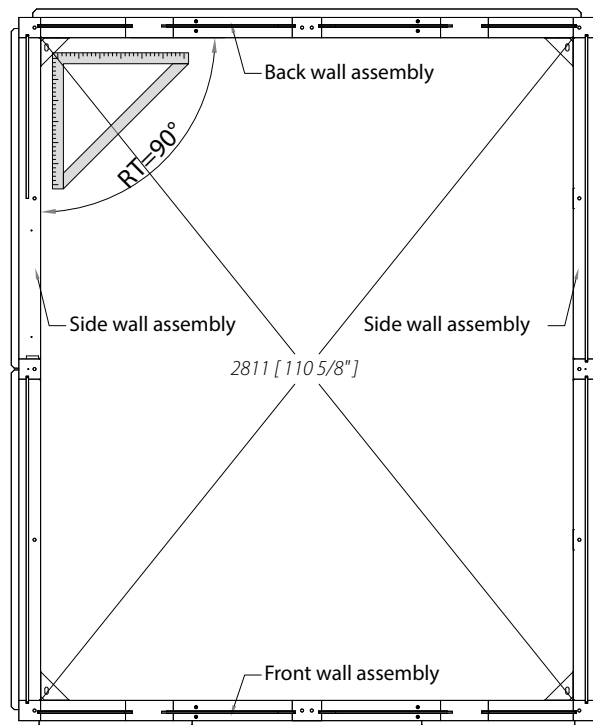


7. Small corner bracket (l) : 18*18*20 _ 1 pc



Part 5

Make sure the wall frame is rectangular using Framing Square and the diagonal distance from the inside of one post to the inside of the opposite post is 9' 2-5/8" (2811 mm).



Part 6

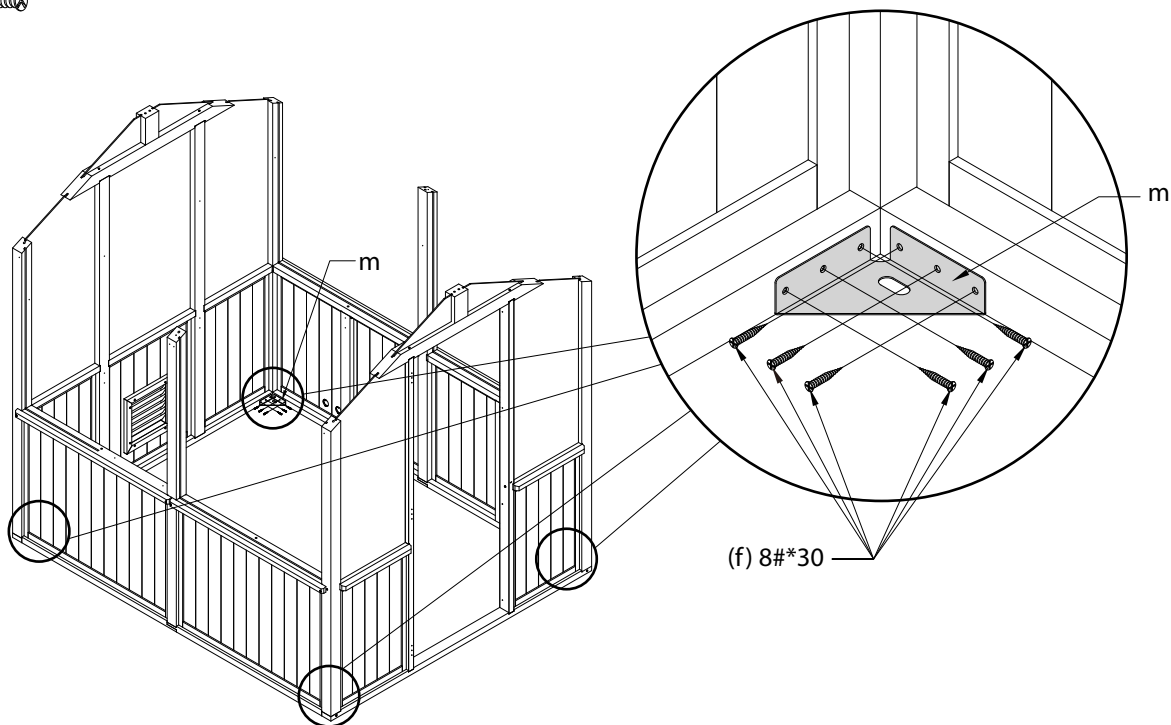
Step 3

Side wall assembly

1. Big corner bracket (m) : 95*95*28 _ 4 pcs

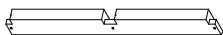


2. Wood screw (f) : 8#*30 _ 24 pcs

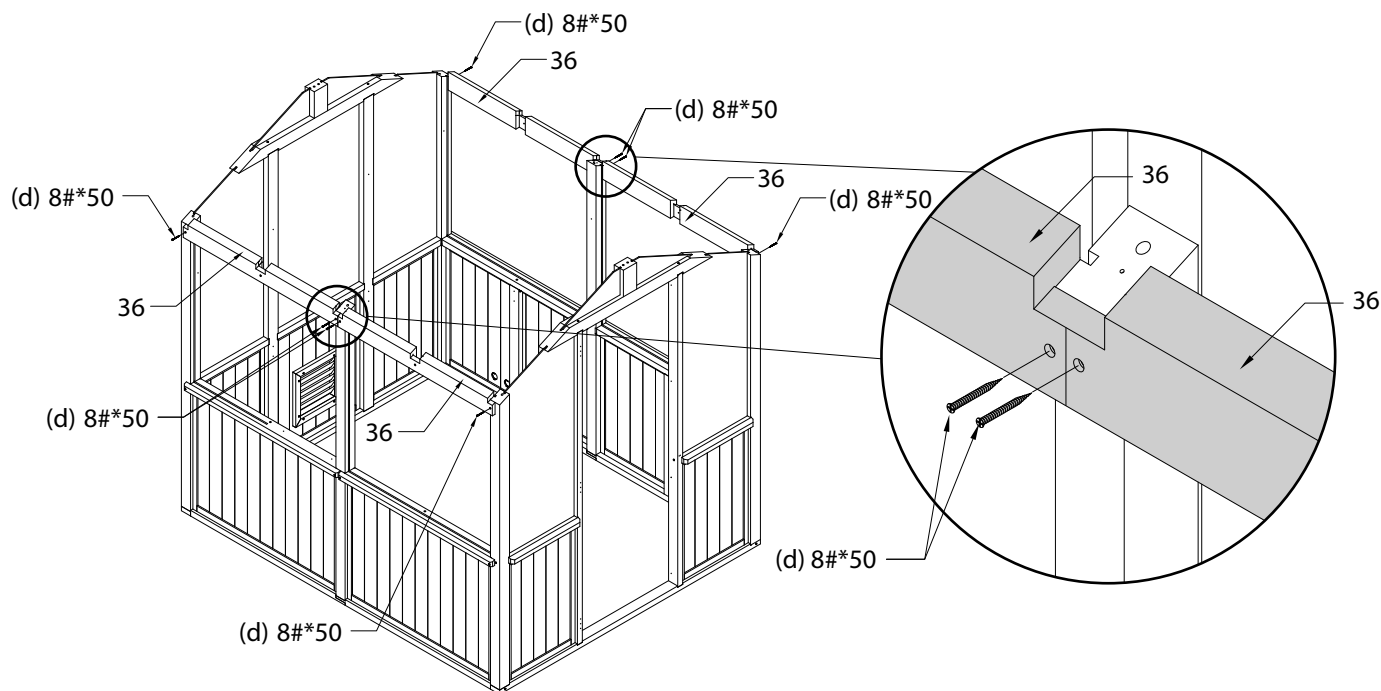


Part 7

1. Side wall top (36) _ 4 pcs



2. Wood screw (d) : 8#*50 _ 8 pcs



Part 8

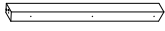
Step 3

Side wall assembly

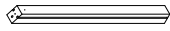
1. Upper left front post (13) _ 1 pc



2. Upper left back post (14) _ 1 pc



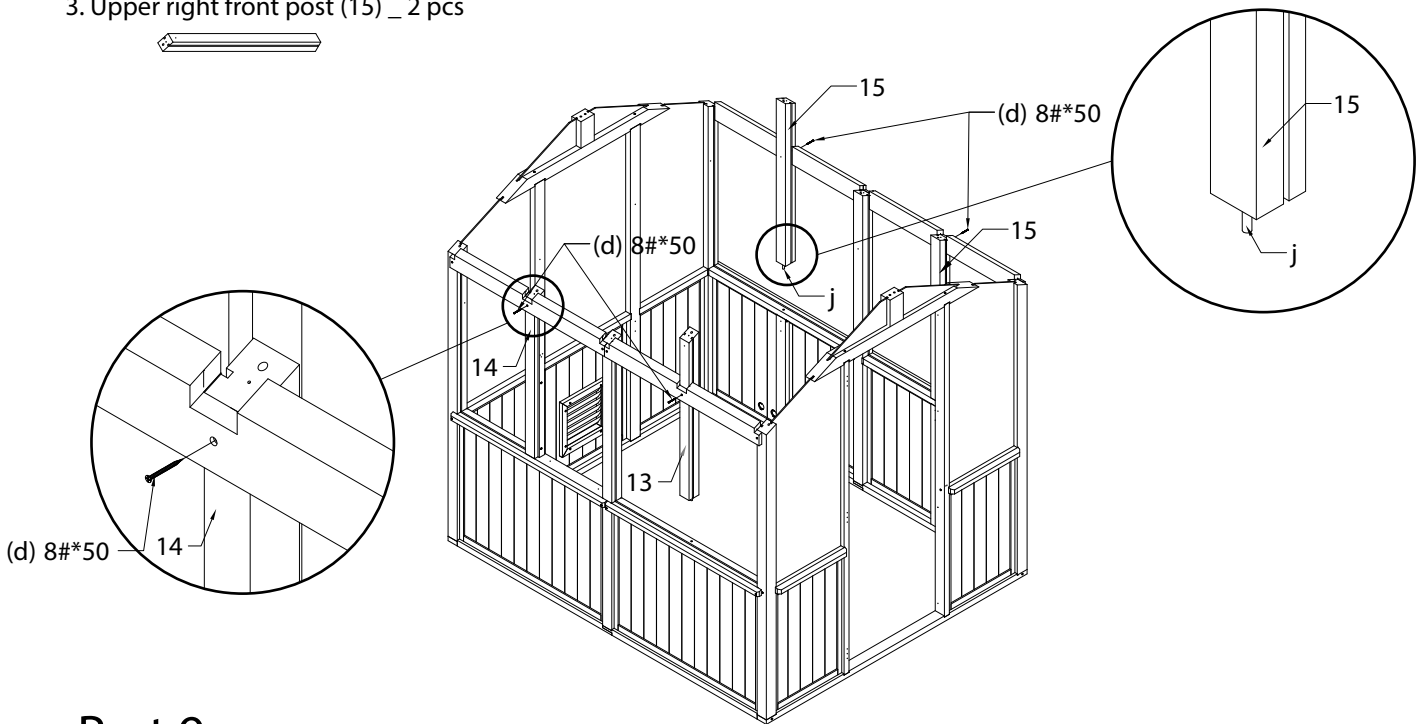
3. Upper right front post (15) _ 2 pcs



5. Wooden tenons (j) : $\varnothing 10 \times 40$ _ 4 pcs

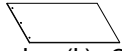


6. Wood screw (d) : 8#*50 _ 4 pcs



Part 9

1. Side wall PC sheet (PC-05) _ 7 pcs



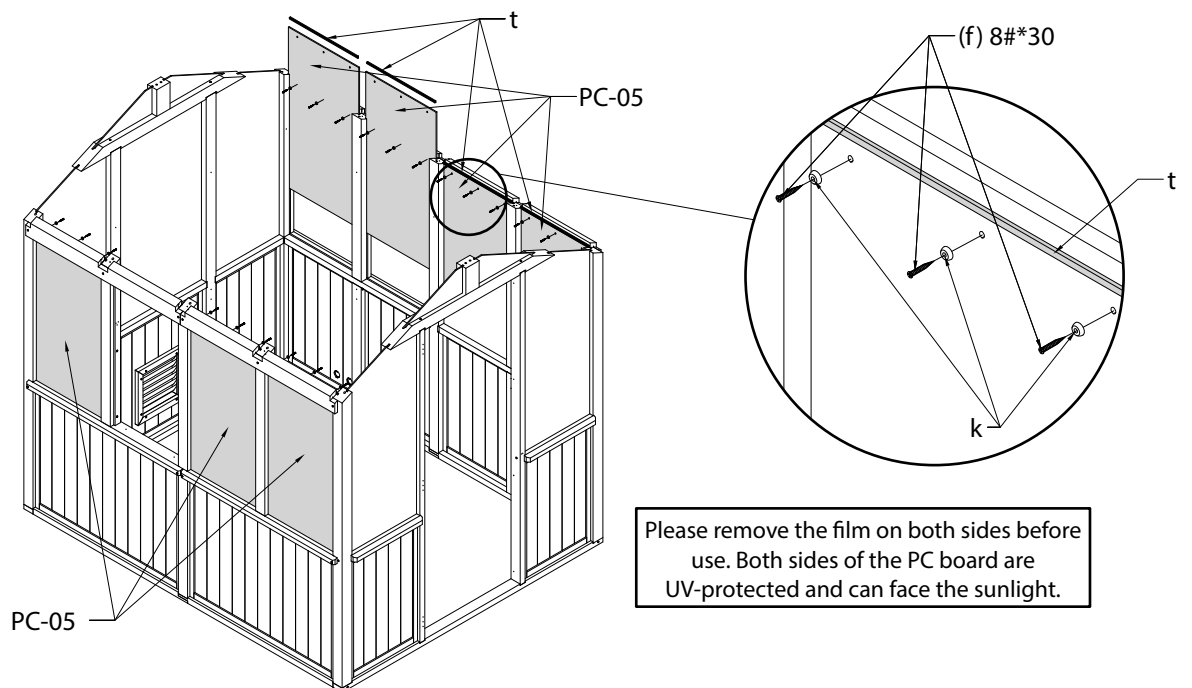
2. EPDM washer (k) : $\varnothing 15 \times 5$ _ 21 pcs



3. PC U-Channel (t) _ 7 pcs



4. Wood screw (f) : 8#*30 _ 21 pcs



Please remove the film on both sides before use. Both sides of the PC board are UV-protected and can face the sunlight.

Part 10

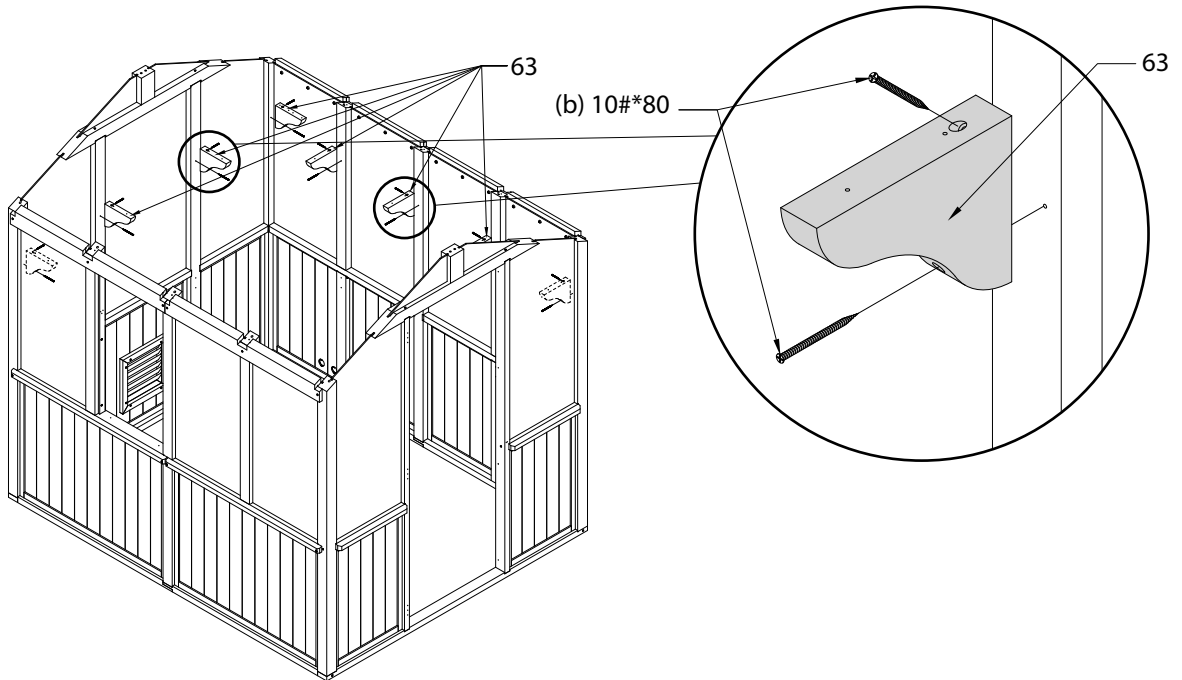
Step 4

Upper shelf assembly

1. Upper shelf support plate (63) _ 8 pcs

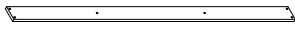


2. Wood screw (b): 10#*80 _ 16 pcs



Part 1

1. Back upper shelf slat (65) _ 2 pcs



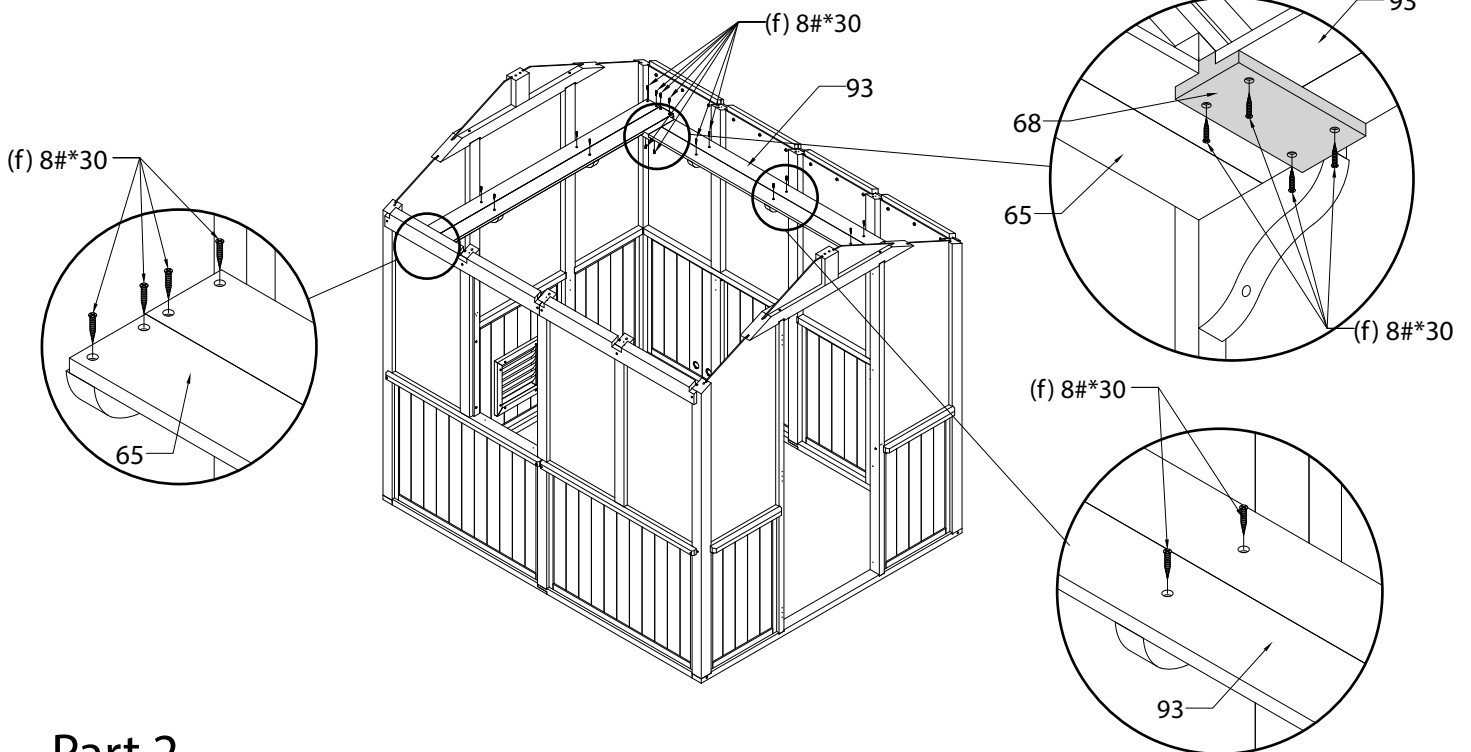
2. Front upper shelf slat (93) _ 2 pcs



3. Upper shelf connecting block (68) _ 1 pc



4. Wood screw (f) : 8#*30 _ 26 pcs



Part 2

Step 4

Upper shelf assembly

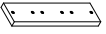
1. Back folding shelf slat (58) _ 3 pcs



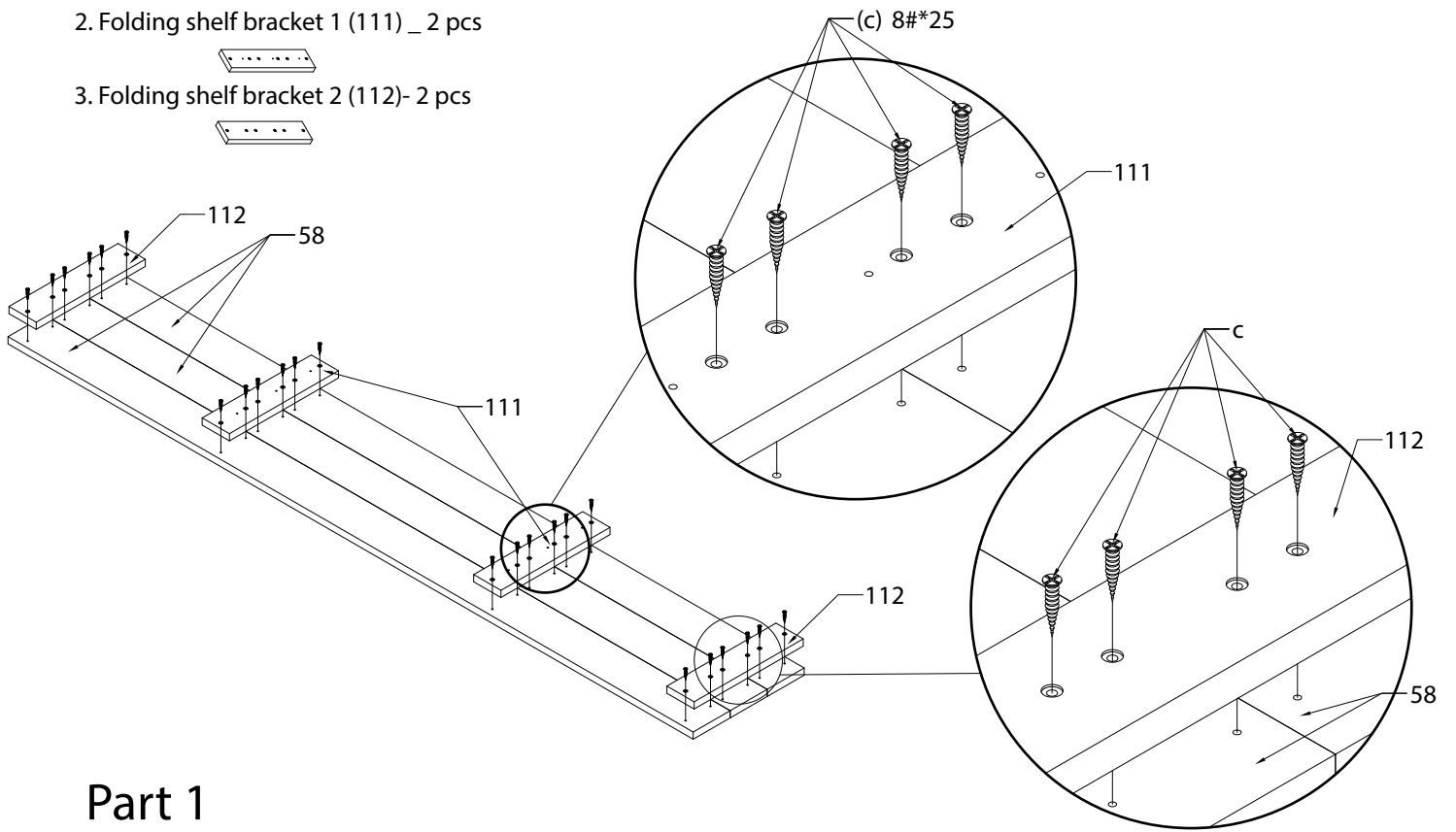
2. Folding shelf bracket 1 (111) _ 2 pcs



3. Folding shelf bracket 2 (112) - 2 pcs



4. Wood screw (c): 8#*25 _ 24 pcs

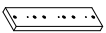


Part 1

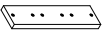
1. Front folding shelf slat (92) _ 3 pcs



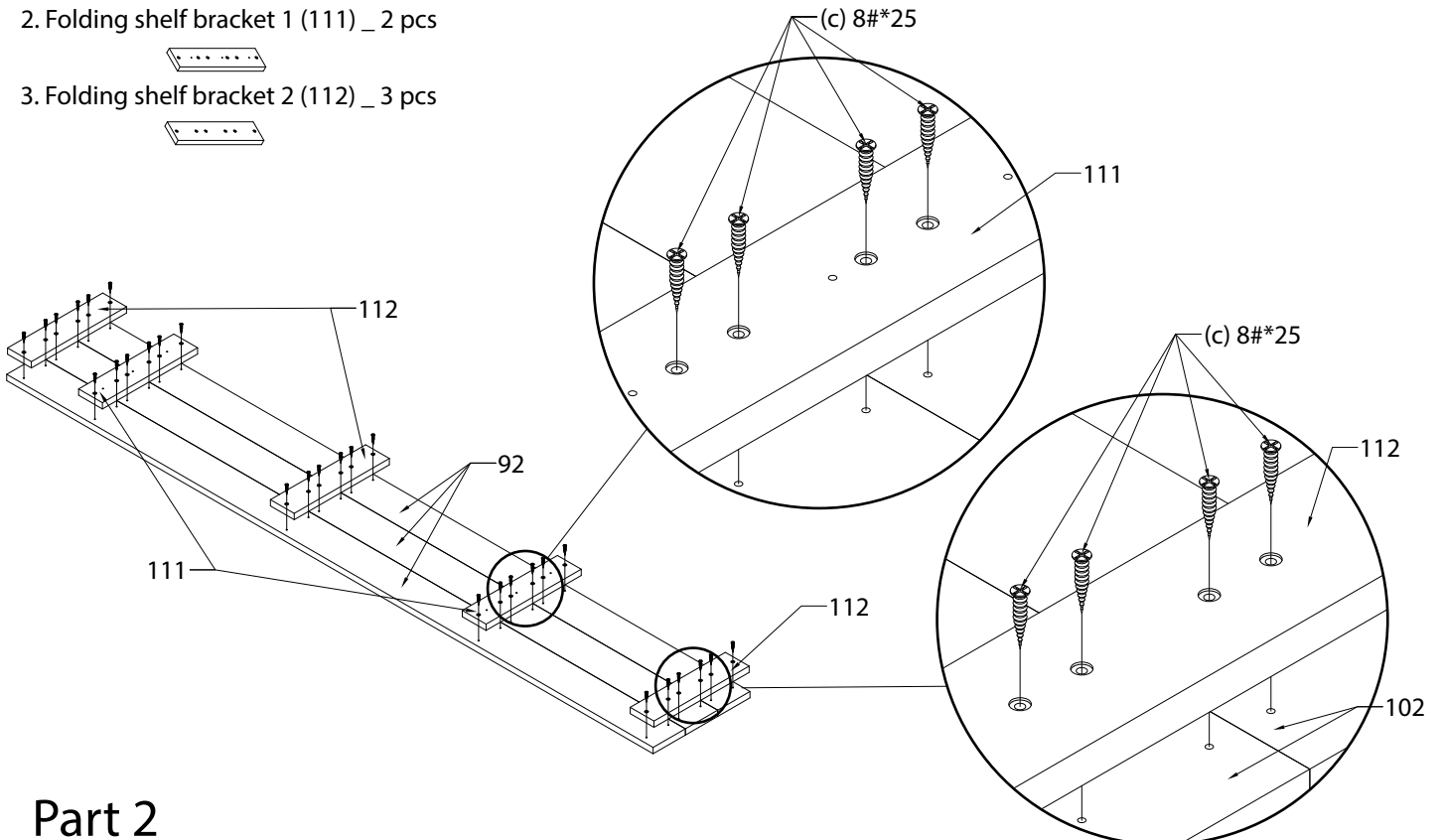
2. Folding shelf bracket 1 (111) _ 2 pcs



3. Folding shelf bracket 2 (112) _ 3 pcs



4. Wood screw (c): 8#*25 _ 30 pcs



Part 2

Step 5

Folding shelf assembly

1. Limit block of folding shelf (62) _ 3 pcs



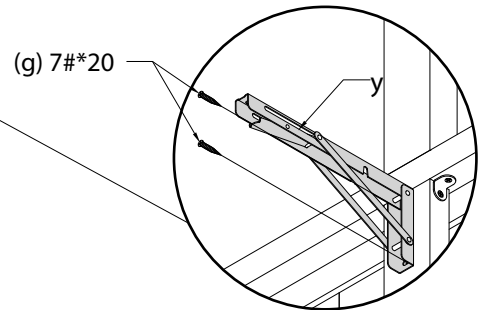
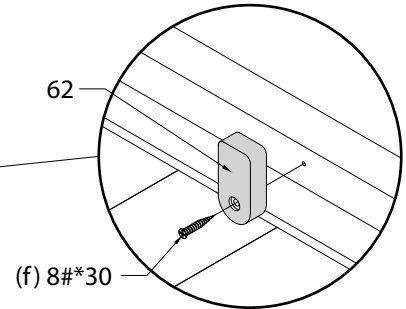
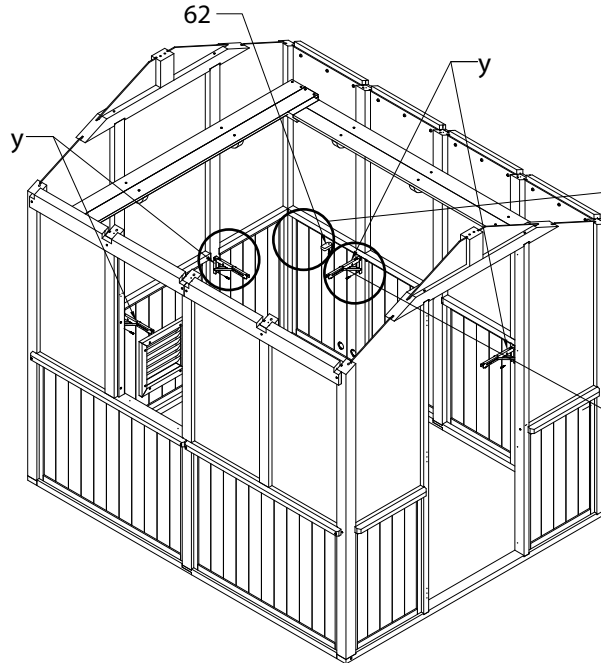
2. Wood screw (f) : 8#*30 _ 3 pcs



3. Folding bracket (y) _ 4 pcs



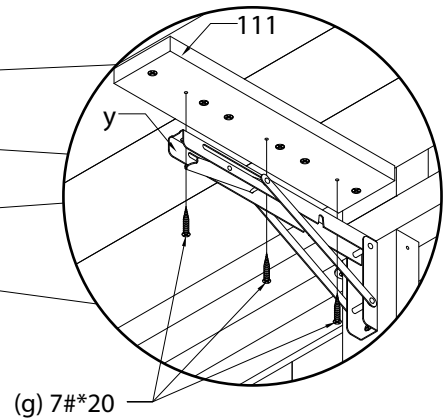
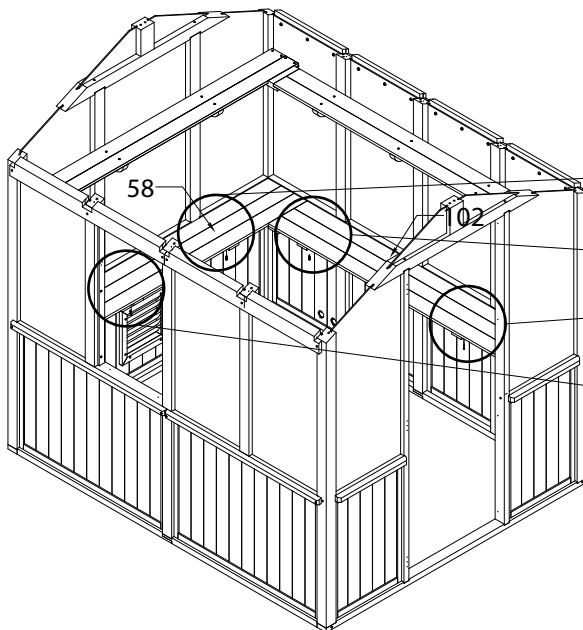
4. Wood screw (g) : 7#*20 _ 8 pcs



NOTE: The limit block of the lower folding shelf can be rotated, it can be rotated out to support the folding shelf when rise the folding shelf in position. The limit block also can be rotated back when the shelf is folded.

Part 3

1. Wood screw (g) : 7#*20 _ 12 pcs

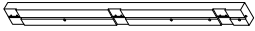


Part 4

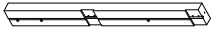
Step 6

Roof assembly

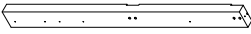
1. Roof peak 1 (32) - 1 pc



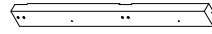
2. Roof peak 5 (87) - 1 pc



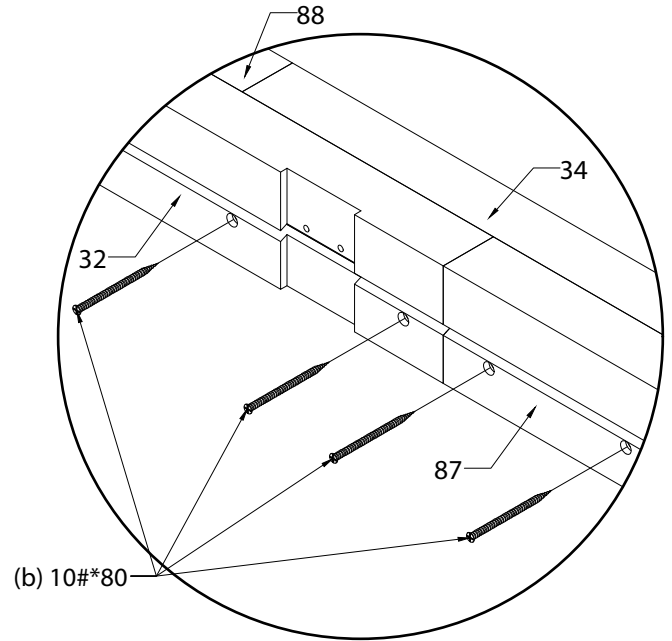
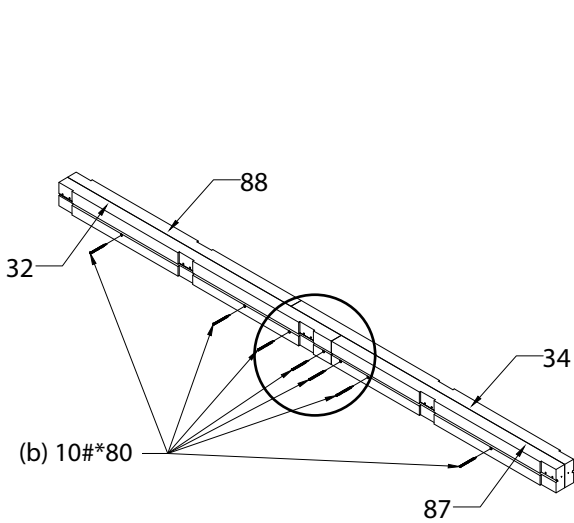
3. Roof peak 3 (34) - 1 pc



4. Roof peak 6 (88) - 1 pc

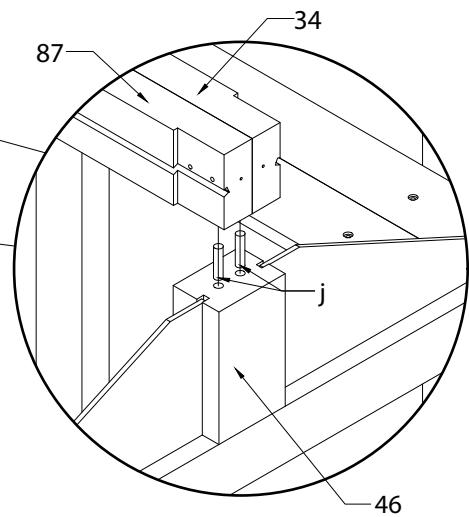
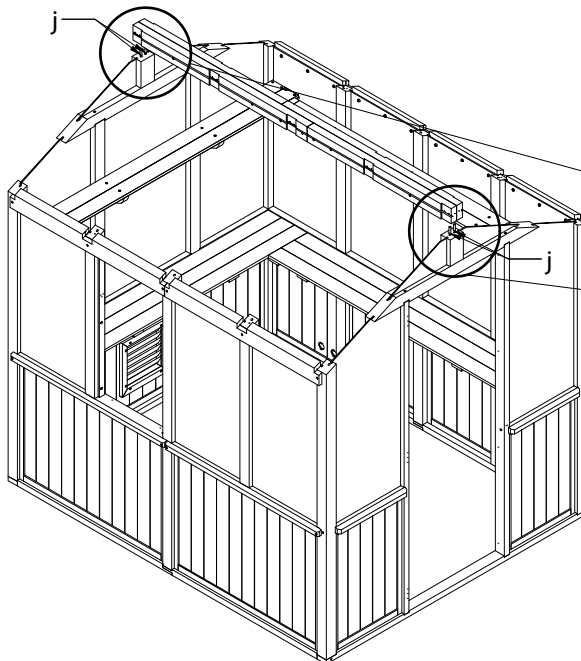


5. Wood screw (b): 10#*80 - 7 pcs



Part 1

1. Wooden tenons (j) : Ø10*40 - 4 pcs

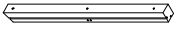


Part 2

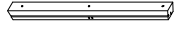
Step 6

Roof assembly

1. Left roof rafter (19) - 1 pc



2. Right roof rafter (18) - 1 pc



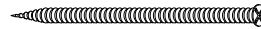
3. Wooden tenons (j) : $\varnothing 10 \times 40$ - 2 pcs



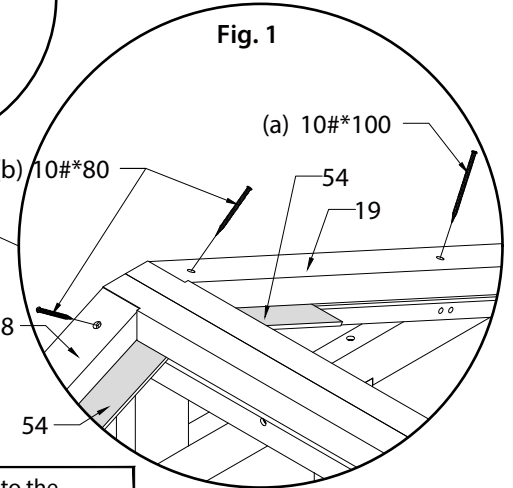
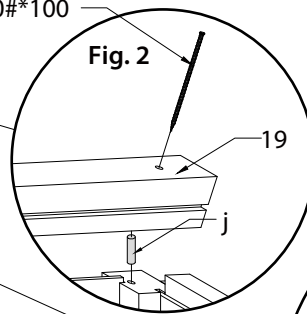
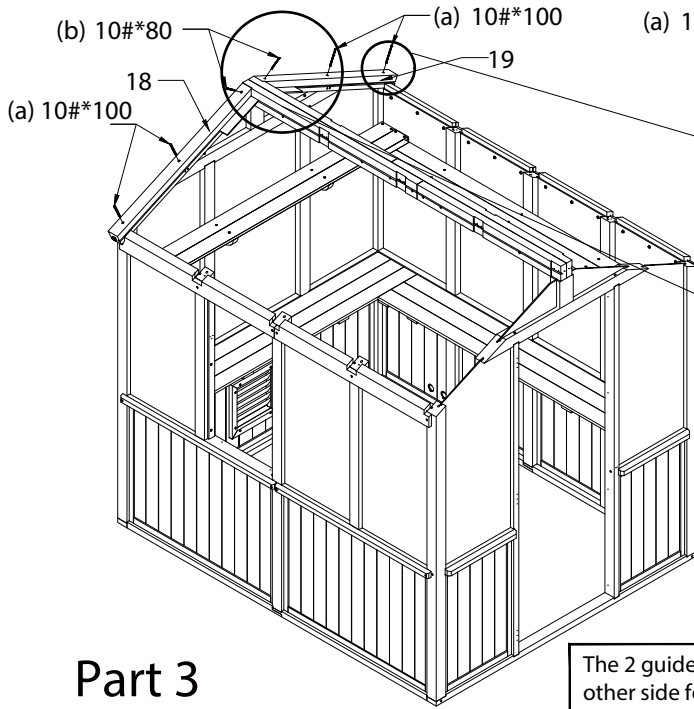
4. Guide spacer (54) - 2 pcs



5. Wood screw (a) : 10#*100 - 4 pcs



6. Wood screw (b) : 10#*80 - 2 pcs



Part 3

The 2 guide spacers need to be moved to the other side for position when one side is secured.

1. Mid rafter of right roof 1 (21) - 1 pc



2. Mid rafter of right roof 2 (22) - 1 pc



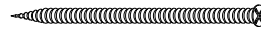
3. PC sheet bracket (77) - 1 pc



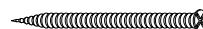
4. Wooden tenons (i) : $\varnothing 8 \times 30$ - 4 pcs



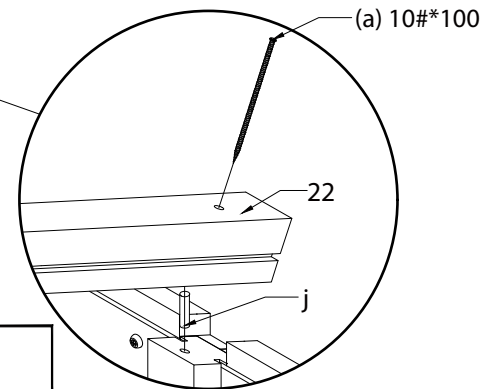
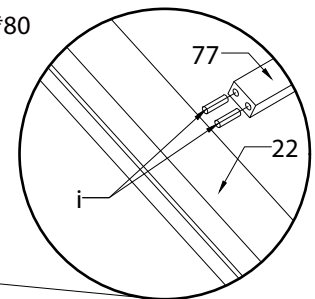
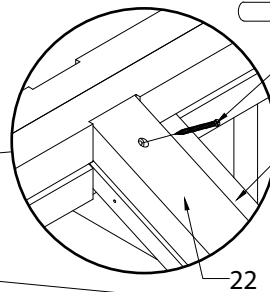
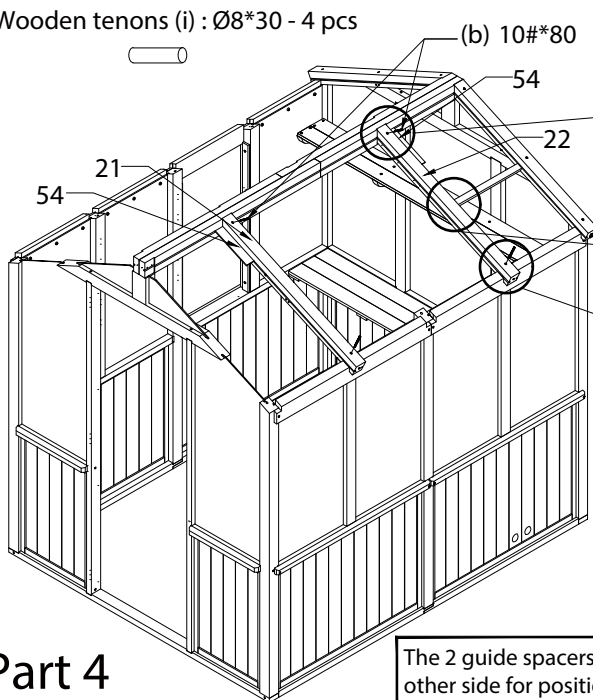
5. Wood screw (a) : 10#*100 - 2 pcs



6. Wood screw (b) : 10#*80 - 2 pcs



7. Wooden tenons (j) : $\varnothing 10 \times 40$ - 2 pcs



Part 4

The 2 guide spacers need to be moved to the other side for position when one side is secured.

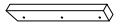
Step 6

Roof assembly

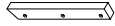
1. Bottom vent block (25) - 1 pc



2. Sash in front of skylight (55) - 1 pc



3. Rear bracket of skylight (56) - 1 pc



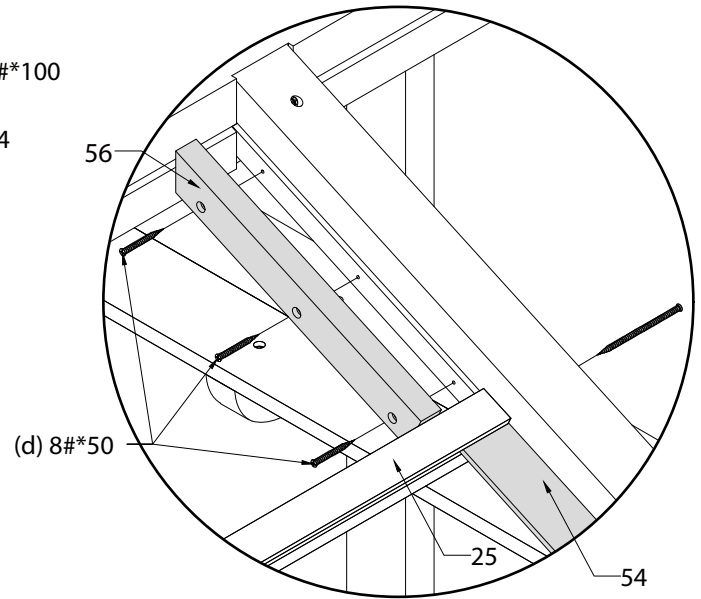
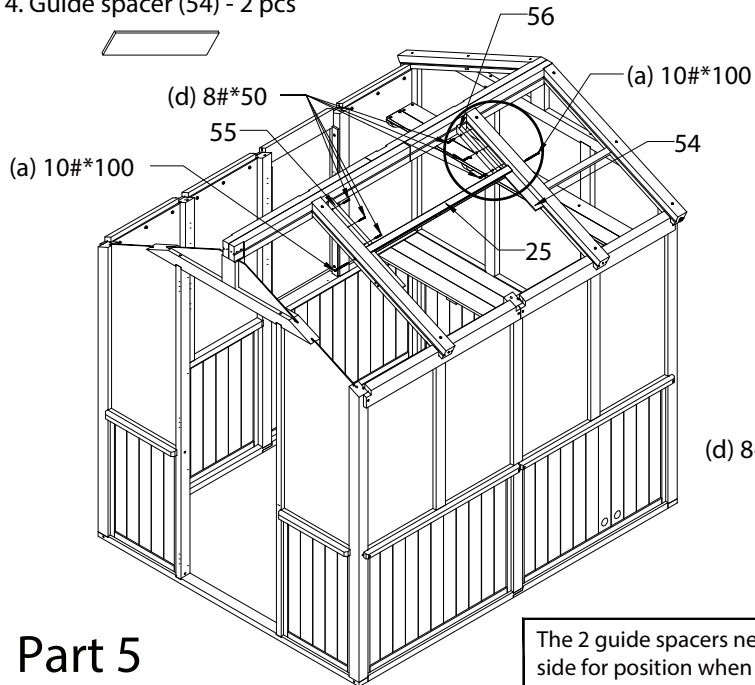
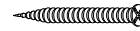
4. Guide spacer (54) - 2 pcs



5. Wood screw (a) : 10#*100 - 2 pcs



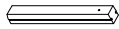
6. Wood screw (d) : 8#*50 - 6 pcs



The 2 guide spacers need to be moved to the other side for position when one side is secured.

Part 5

1. Vent roof rafter (24) - 1 pc



2. Guide spacer (54) - 2 pcs



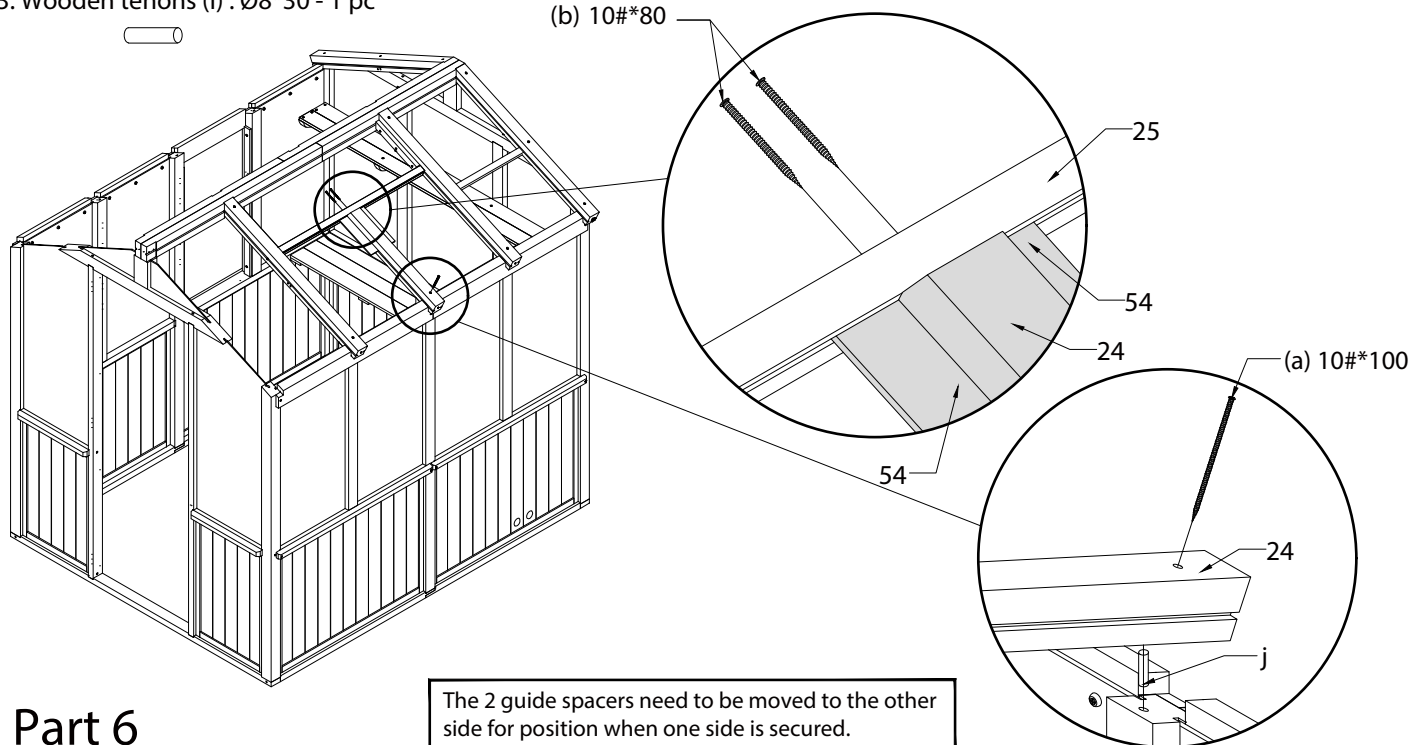
3. Wooden tenons (i) : Ø8*30 - 1 pc



1. Wood screw (a) : 10#*100 - 1 pc



2. Wood screw (b) : 10#*80 - 2 pcs



The 2 guide spacers need to be moved to the other side for position when one side is secured.

Part 6

Step 6

Roof assembly

1. Mid rafter of left roof (20) _ 3 pcs



2. PC sheet bracket (77) _ 3 pcs



3. Wooden tenons (j) : Ø10*40 _ 3 pcs



4. Guide spacer (54) _ 2 pcs



5. Wood screw (a) : 10#*100 _ 3 pcs



6. Wood screw (b) : 10#*80 _ 3 pcs



7. Wooden tenons (i) : Ø8*30 _ 12 pcs



(b) 10#*80

(a) 10#*100

(b) 10#*80

20

(a) 10#*100

20

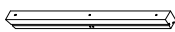
j

54

Part 7

The 2 guide spacers need to be moved to the other side for position when one side is secured.

1. Left roof rafter (19) _ 1 pc



2. Right roof rafter (18) _ 1 pc



3. PC sheet bracket (77) _ 2 pcs



4. Wooden tenons (j) : Ø10*40 _ 2 pcs



5. Guide spacer (54) _ 2 pcs



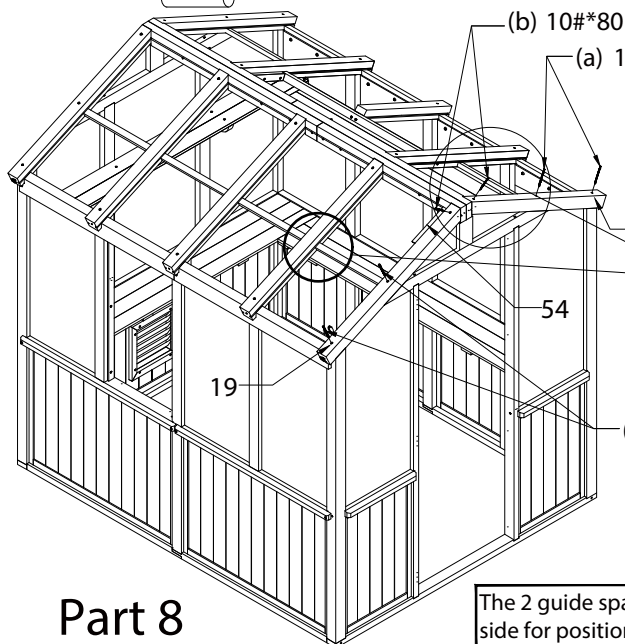
6. Wood screw (a) : 10#*100 _ 4 pcs



7. Wood screw (b) : 10#*80 _ 2 pcs



8. Wooden tenons (i) : Ø8*30 _ 8 pcs



(b) 10#*80

(a) 10#*100

18

54

19

(a) 10#*100

20

77

i

(a) 10#*100

(b) 10#*80

18

19

Part 8

The 2 guide spacers need to be moved to the other side for position when one side is secured.

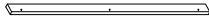
Step 6

Roof assembly

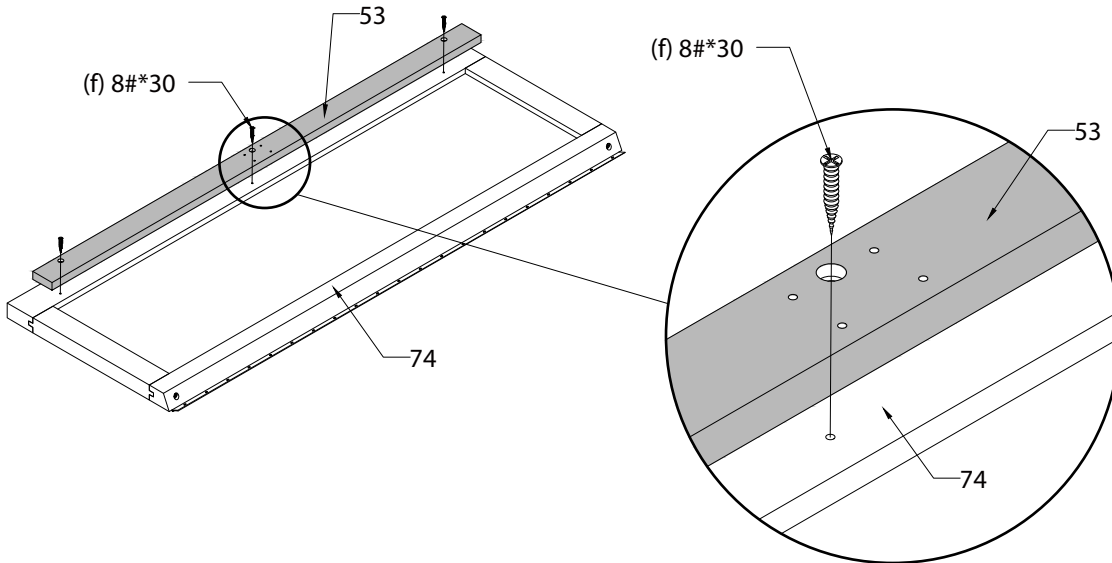
1. Vent roof panel (74) _ 1 pc



2. Vent roof panel block (53) _ 1 pc

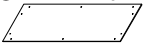


3. Wood screw (f) : 8#*30 _ 3 pcs



Part 9

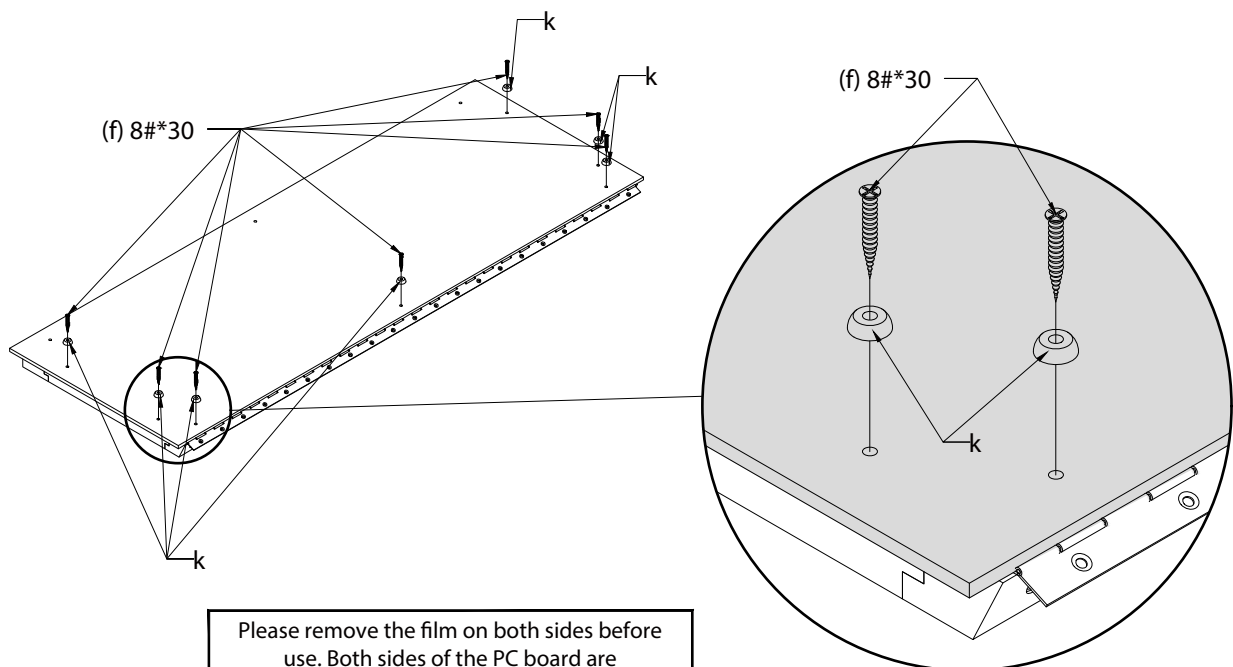
1. The skylight cover panel (PC-09) _ 1 pc



2. EPDM washer (k) : Ø15*5 _ 7 pcs



3. Wood screw (f) : 8#*30 _ 7 pcs



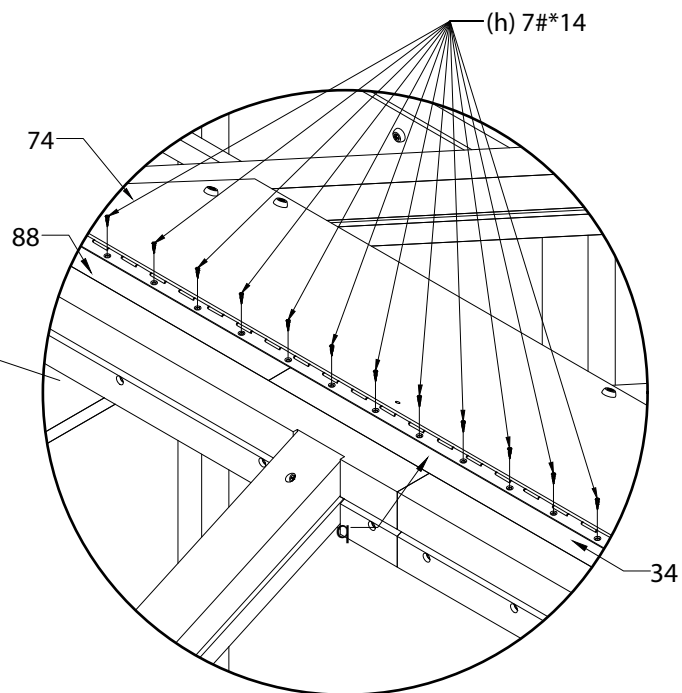
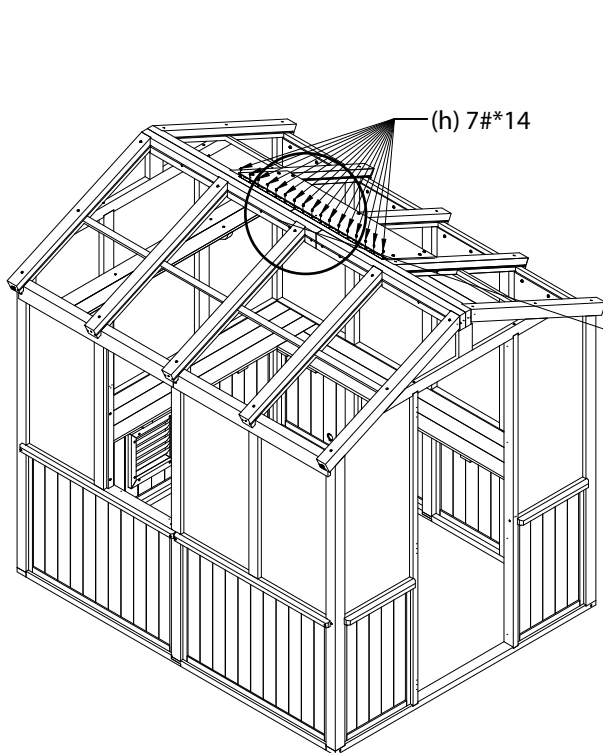
Please remove the film on both sides before use. Both sides of the PC board are UV-protected and can face the sunlight.

Part 10

Step 6

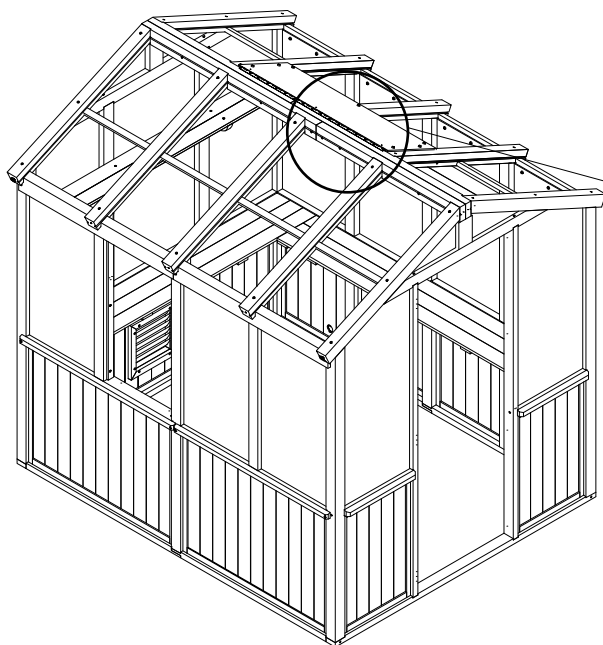
Roof assembly

1. Wood screw (h) : 7#*14 _ 17 pcs

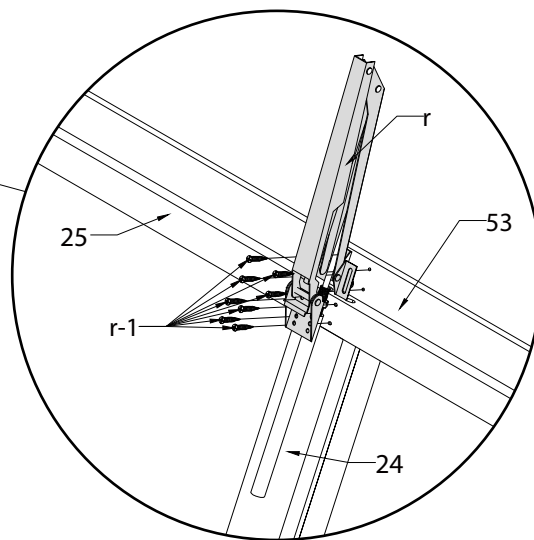


Part 11

1. Aluminum single spring window opener (r) _ 1 pc



2. Window opener screw (r-1) : 7#*20 _ 8 pcs



Part 12

Step 6

Roof assembly

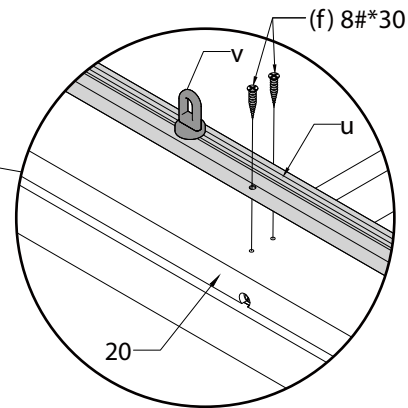
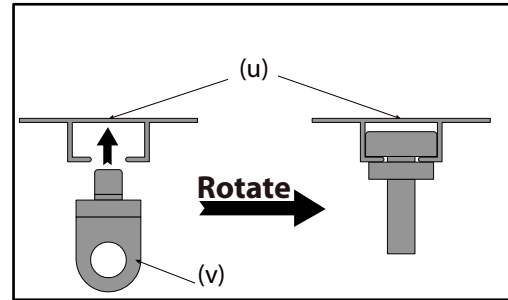
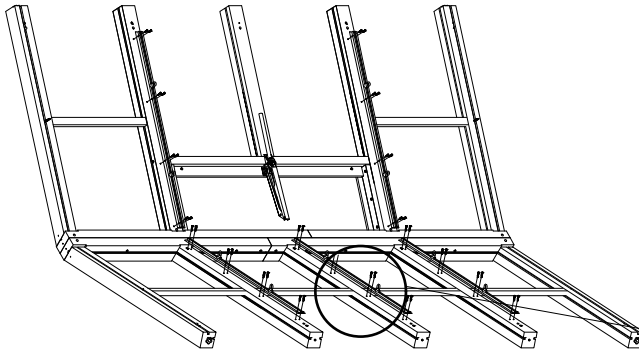
1. Flower Basket guide rail (u) _ 5 pcs



2. Basket hook (v) _ 10 pcs



3. Wood screw (f) : 8#*30 _ 40 pcs

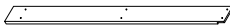


Part 13

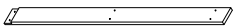
1. Peak spacer (45) _ 2 pcs



2. Roof peak cap 1 (43) -1pc



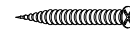
3. Roof peak cap 3 (91) -1pc



4. EPDM washer (k) : Ø15*5 _ 13 pcs



5. Wood screw (e) : 8#*45 _ 10 pcs



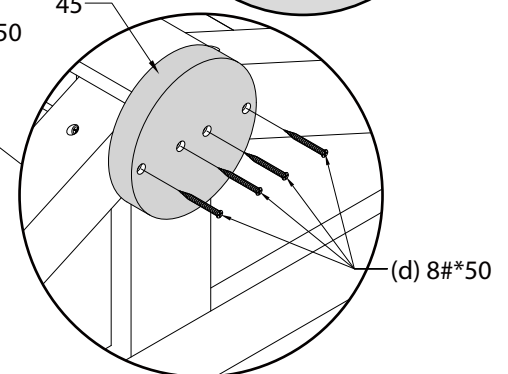
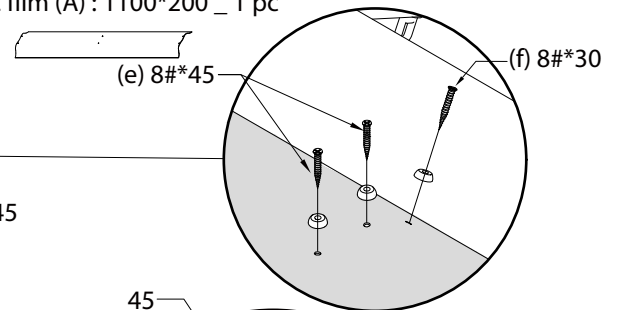
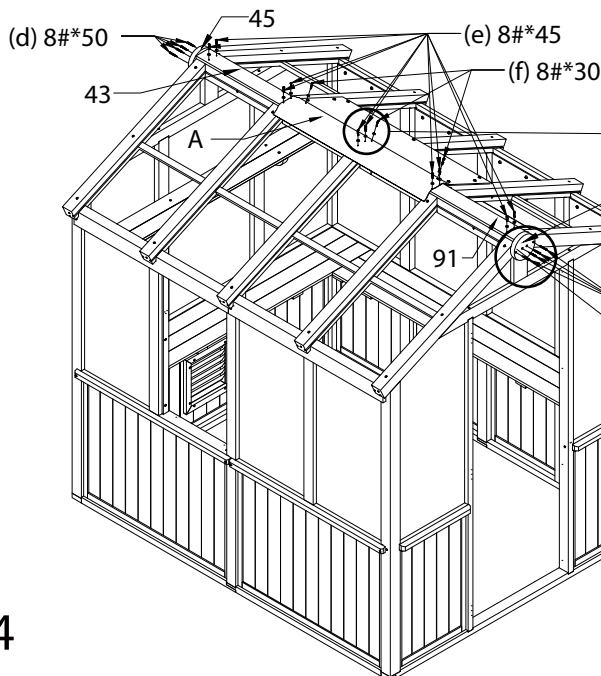
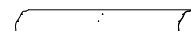
6. Wood screw (d) : 8#*50 _ 8 pcs



7. Wood screw (f) : 8#*30 _ 3 pcs



8. PVC film (A) : 1100*200 _ 1 pc

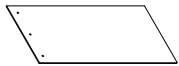


Part 14

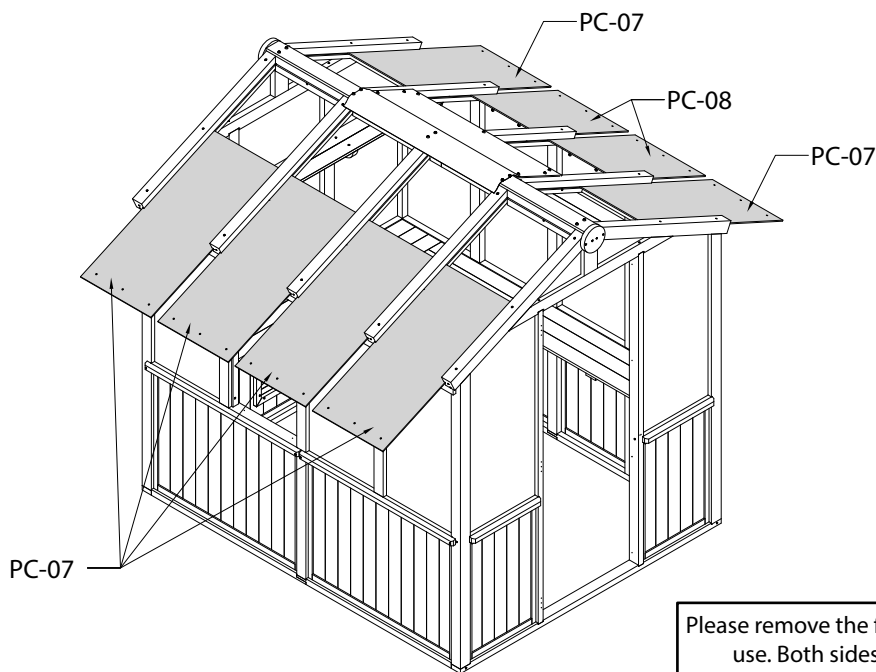
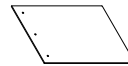
Step 7

Install the roof panels

1. Roof PC sheet (PC-07) _ 6 pcs



2. Small roof PC sheet (PC-08) _ 2 pcs



Please remove the film on both sides before use. Both sides of the PC board are UV-protected and can face the sunlight.

Part 1

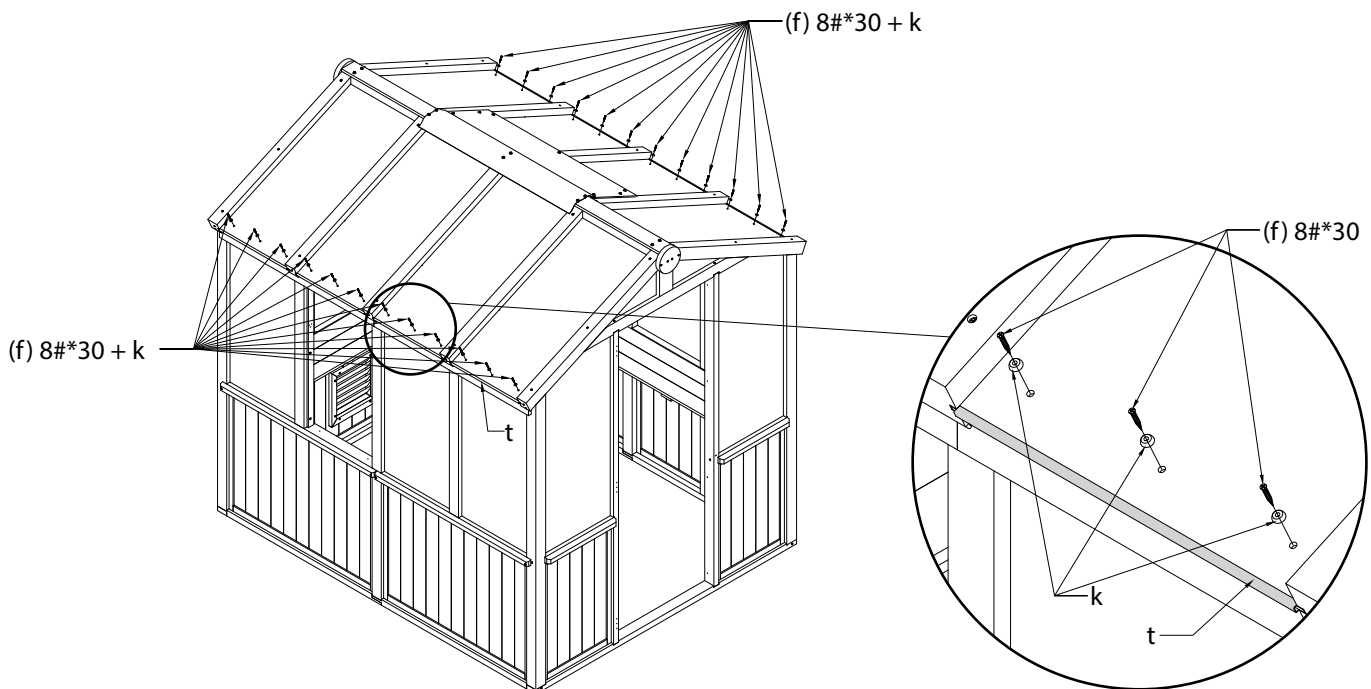
1. EPDM washer (k) : $\text{Ø}15 \times 5$ _ 24 pcs



2. PC U-Channel (t) _ 8 pcs



3. Wood screw (f) : 8#*30 _ 24 pcs

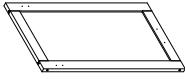


Part 2

Step 8

Side window assembly

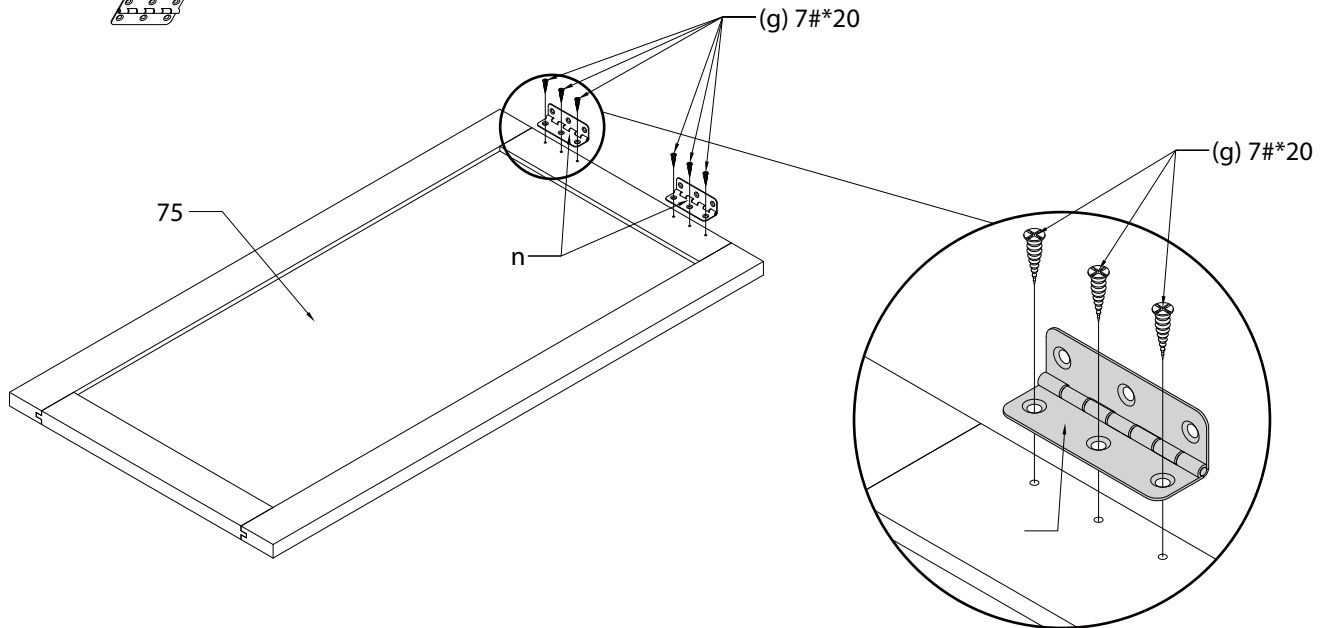
1. Side window panel (75) _ 1 pc



2. Square hinge-black (n) : 75*43*5 _ 2 pcs

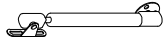


3. Wood screw (g) : 7#*20 _ 6 pcs

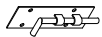


Part 1

1. Barometric rod (x) _ 2 pcs



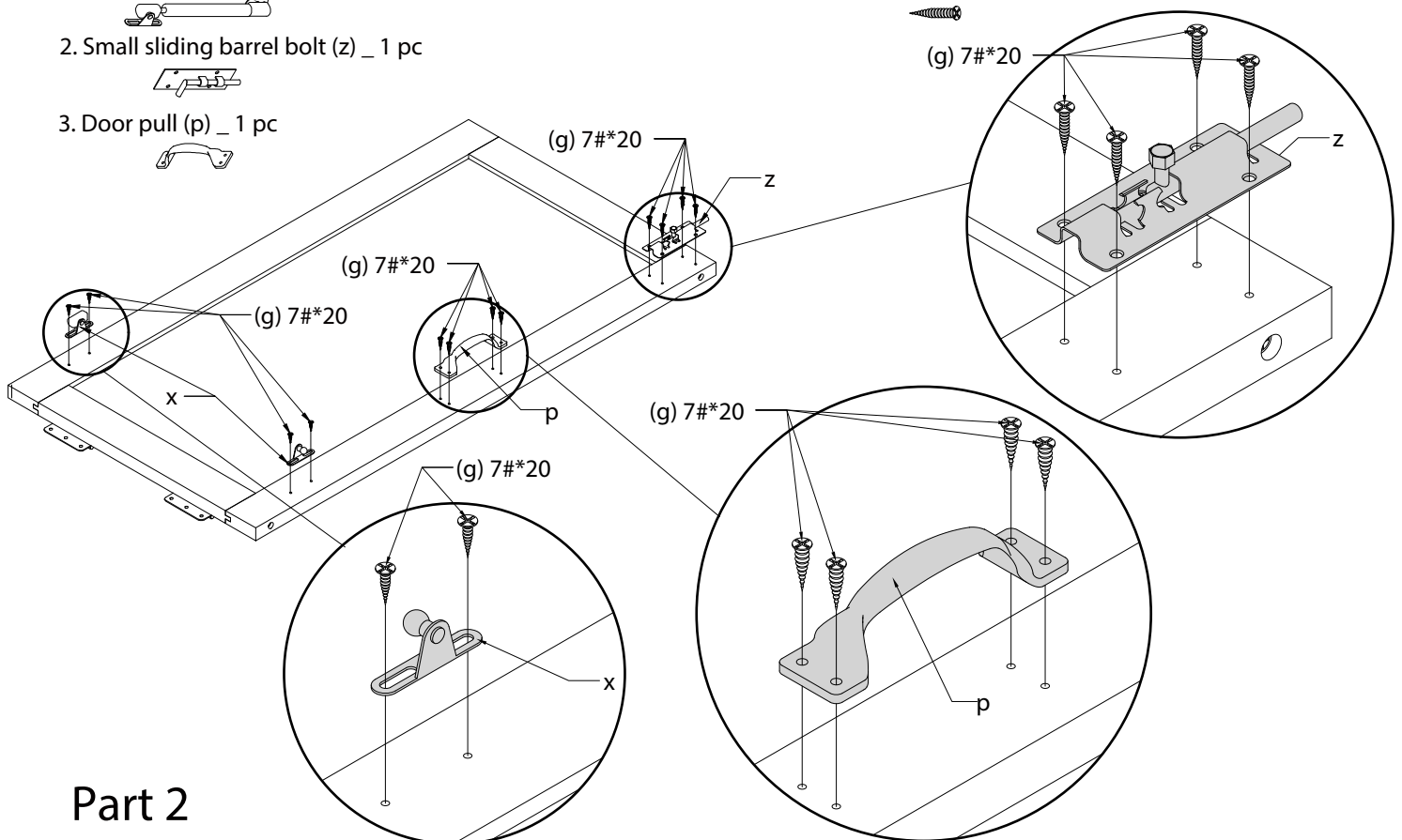
2. Small sliding barrel bolt (z) _ 1 pc



3. Door pull (p) _ 1 pc



4. Wood screw (g) : 7#*20 _ 12 pcs

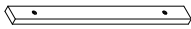


Part 2

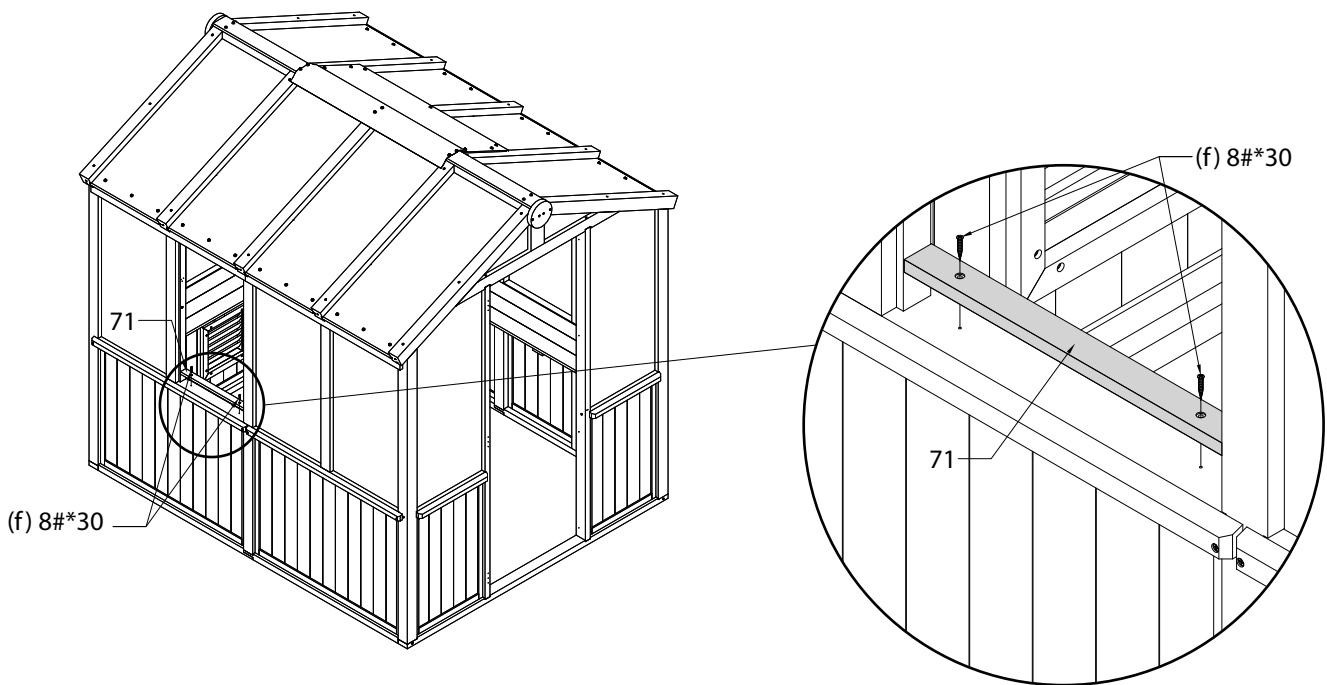
Step 8

Side window assembly

1. Side window horizontal bar (71) _ 1 pc

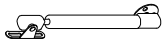


2. Wood screw (f) : 8#*30 _ 2 pcs

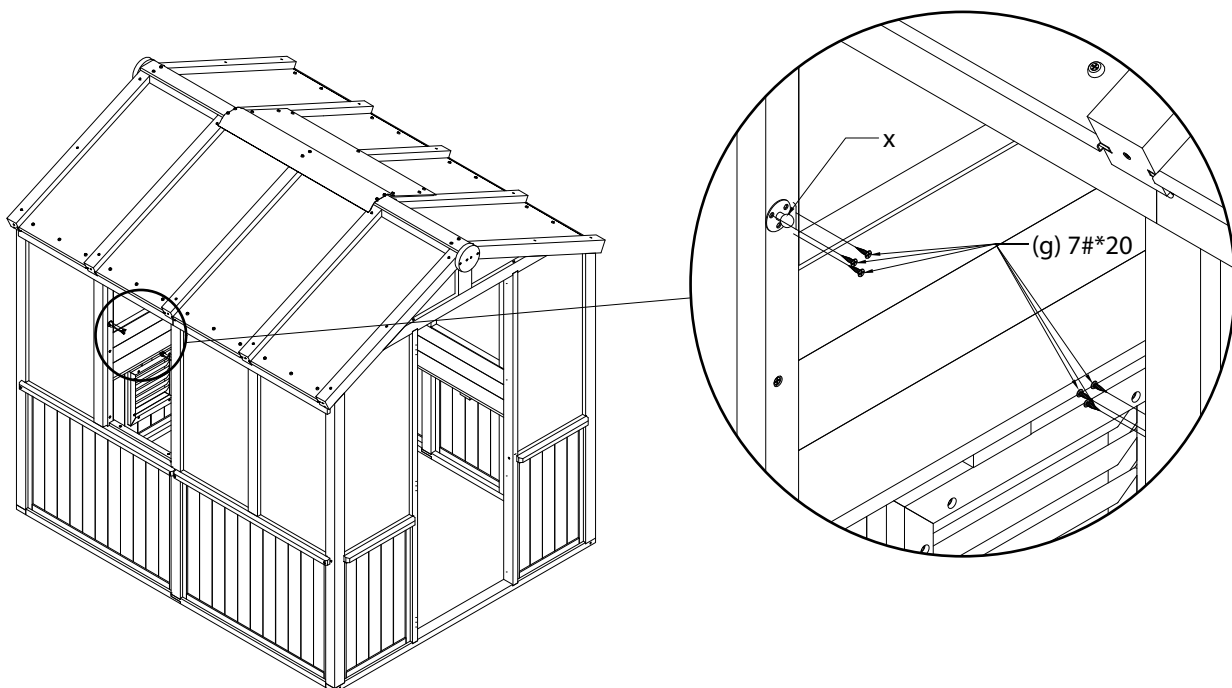


Part 3

1. Barometric rod (x) - 2 pcs



2. Wood screw (g) : 7#*20 - 6 pcs

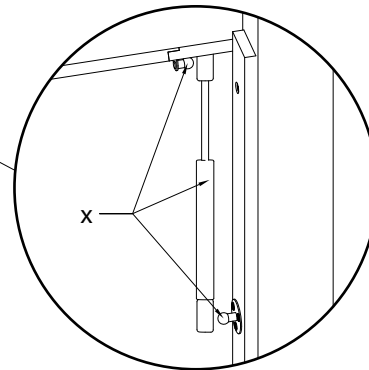
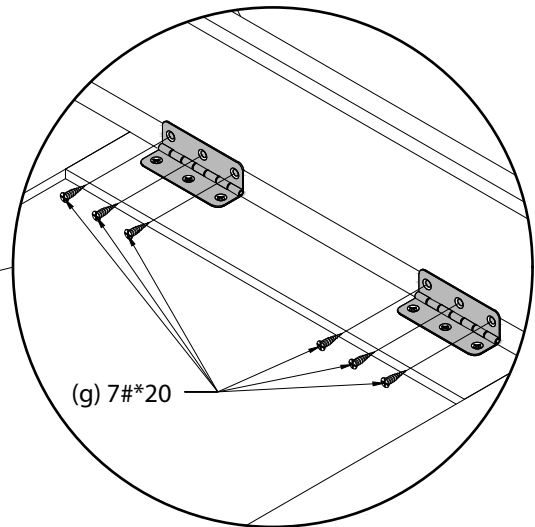
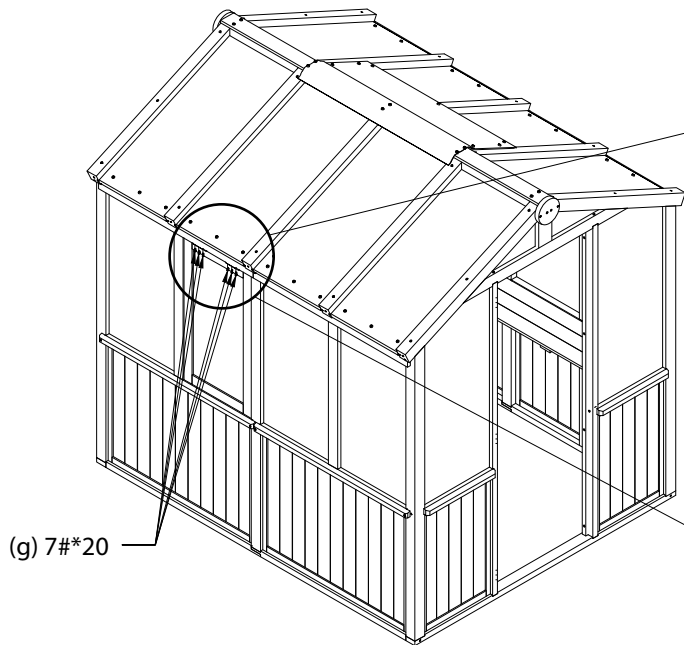


Part 4

Step 8

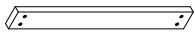
Side window assembly

1. Wood screw (g) : 7#*20 _ 6 pcs



Part 5

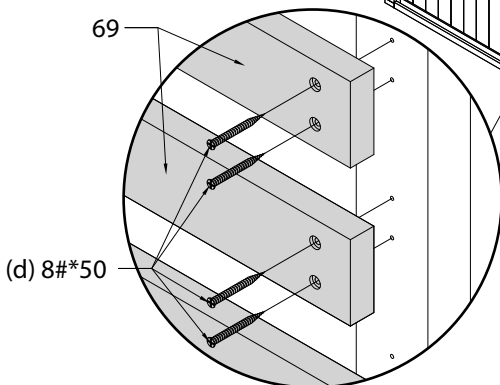
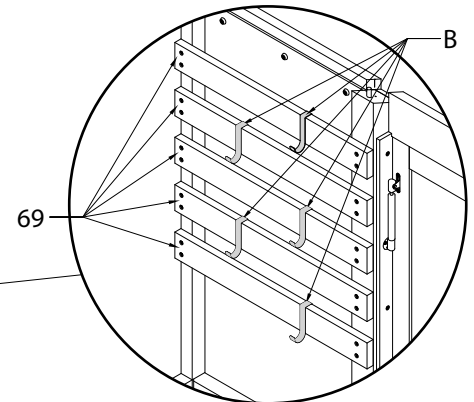
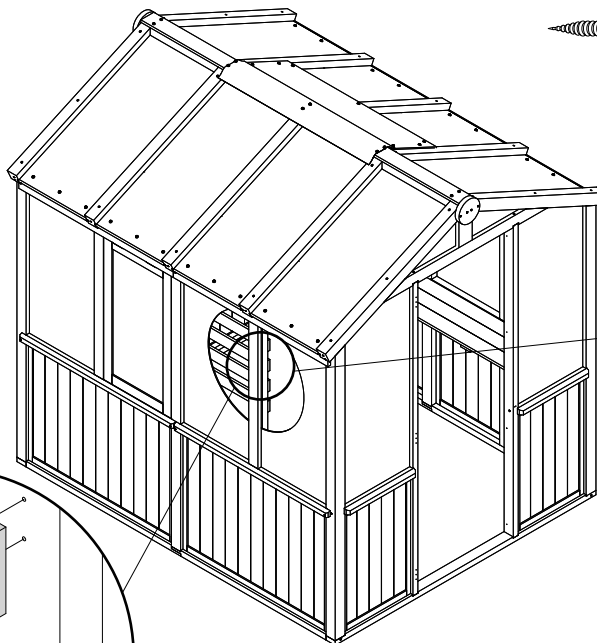
1. Window rail (69) _ 5 pcs



2. S-hook (B) = 5 pcs



3. Wood screw (d) : 8#*50 _ 20 pcs



Part 6

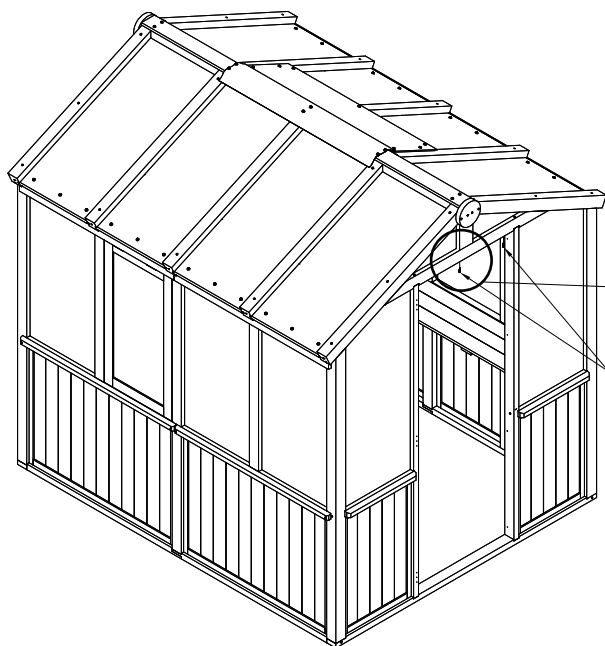
Step 9

Door assembly

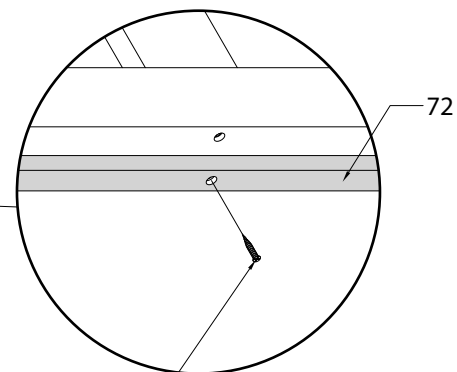
1. Top door block (72) _ 1 pc



2. Wood screw (f) : 8#*30 _ 3 pcs



(g) 8#*30



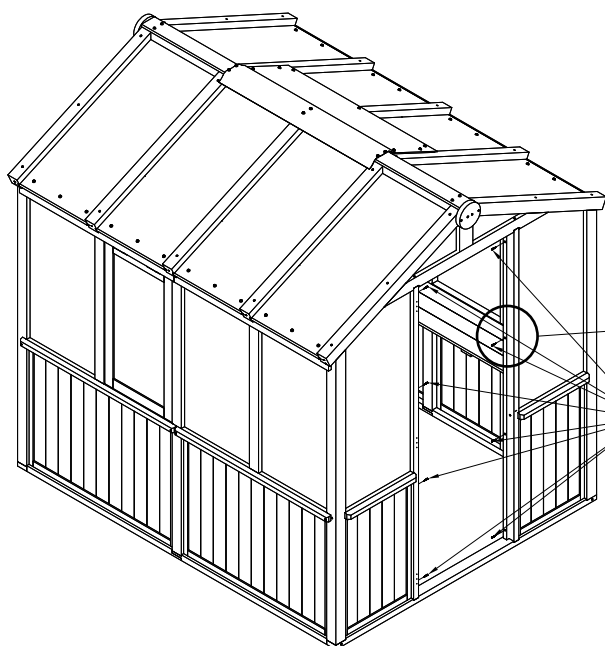
(g) 8#*30

Part 1

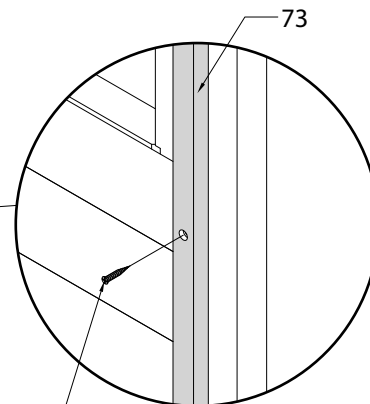
1. Side door block (73) _ 2 pcs



2. Wood screw (f) : 8#*30 _ 8 pcs



(g) 8#*30



(g) 8#*30

Part 2

Step 9

Door assembly

1. Upper cross bar of door (78) _ 1 pc



2. Mid cross bar of door (79) _ 1 pc



3. Lower cross bar of door (81) _ 1 pc



4. Left post of door (82) _ 1 pc



5. Right post of door (83) _ 1 pc



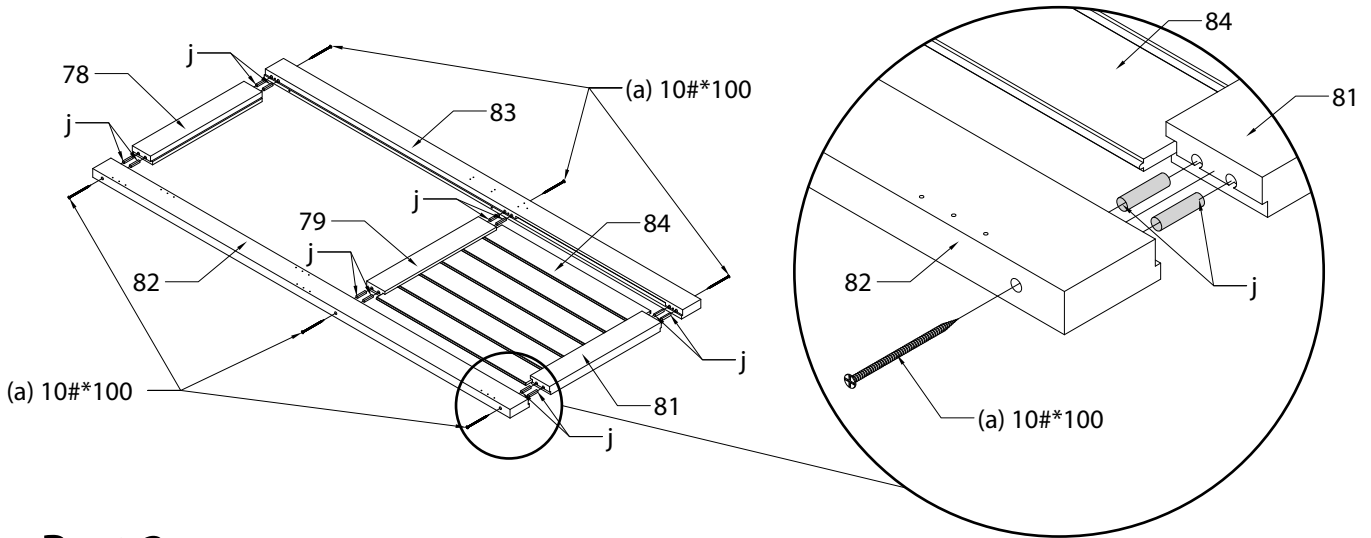
6. Lower upright slat of door (84) _ 6 pcs



7. Wood screw (a) : 10#*100 _ 6 pcs

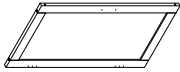


9. Wooden tenons (j) : Ø10*40 _ 12 pcs



Part 3

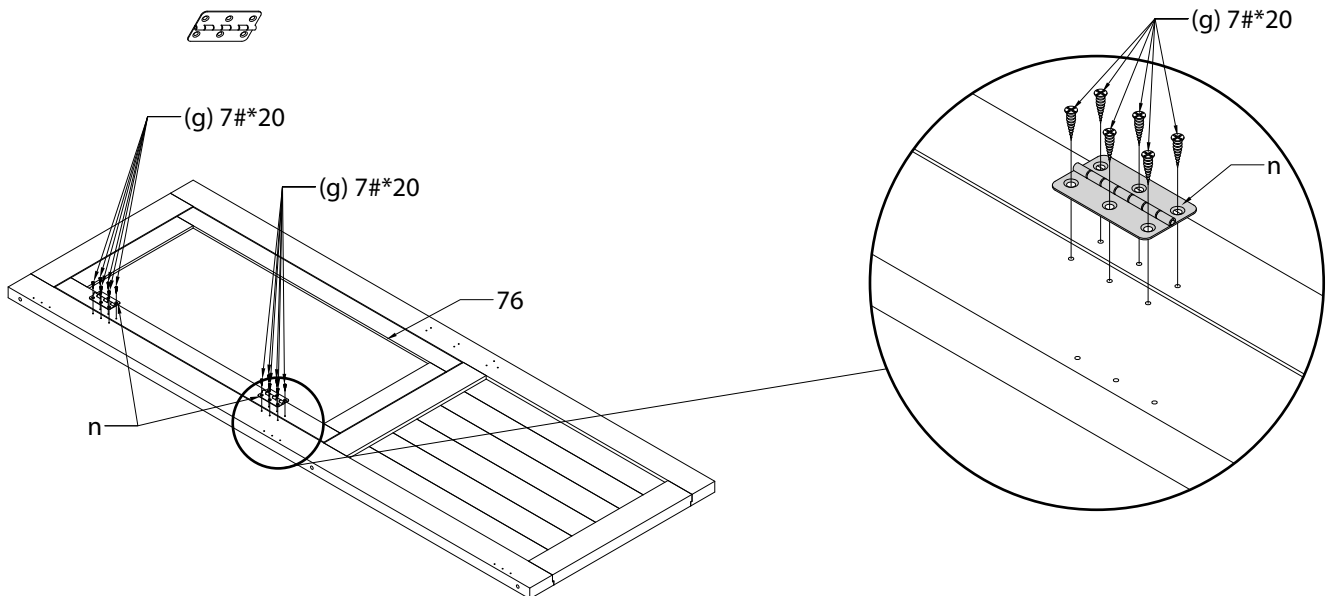
1. Front window panel (76) _ 1 pc



2. Square hinge-black (n) : 75*43*5 _ 2 pcs



3. Wood screw (g) : 7#*20 = 12 pcs



Part 4

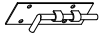
Step 9

Door assembly

1. Support block of barometric rod (113) _ 1 pc



2. Small sliding barrel bolt (z) _ 1 pc



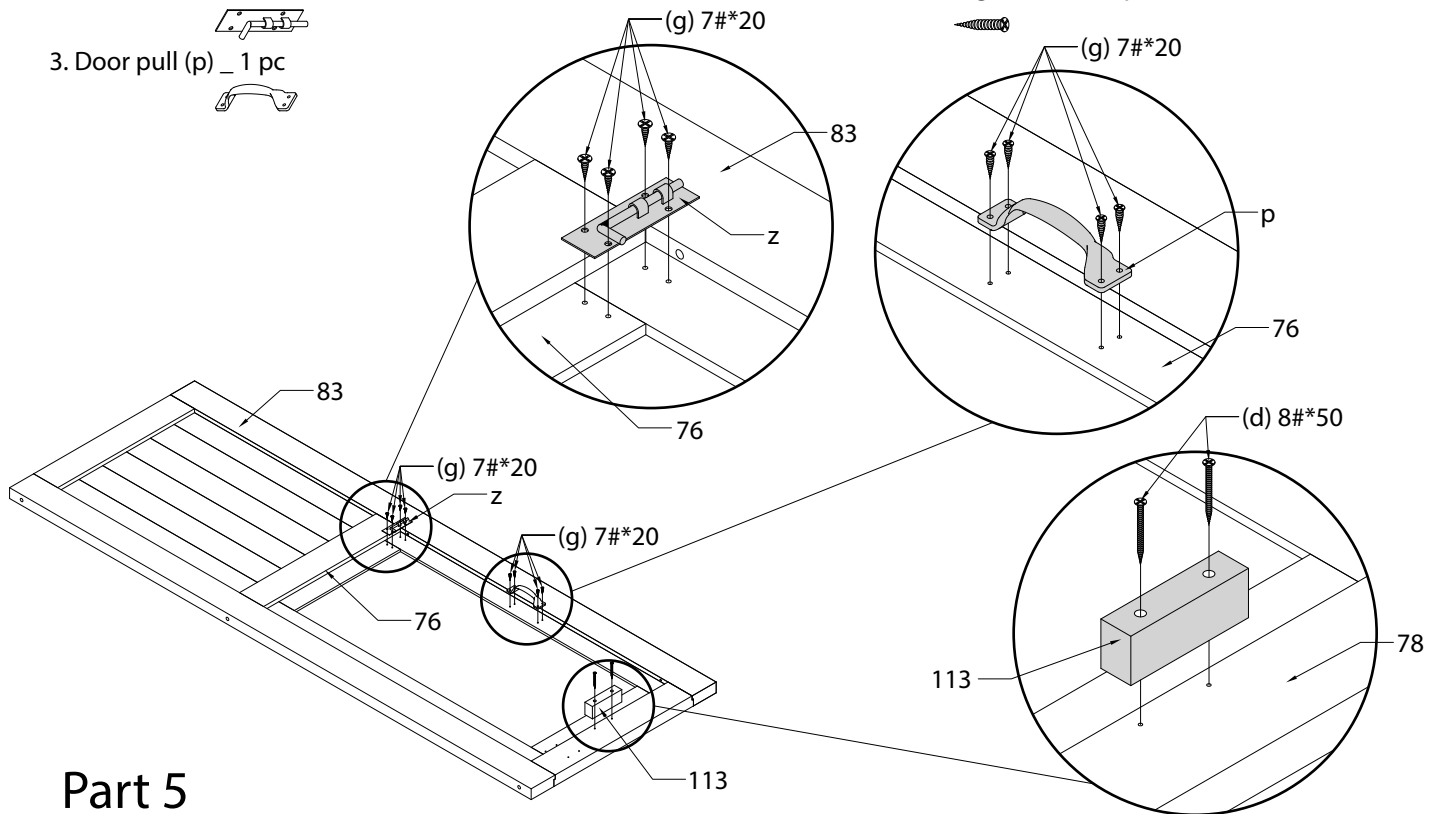
3. Door pull (p) _ 1 pc



4. Wood screw (d) : 8#*50 _ 2 pcs

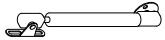


5. Wood screw (g) : 7#*20 _ 8 pcs

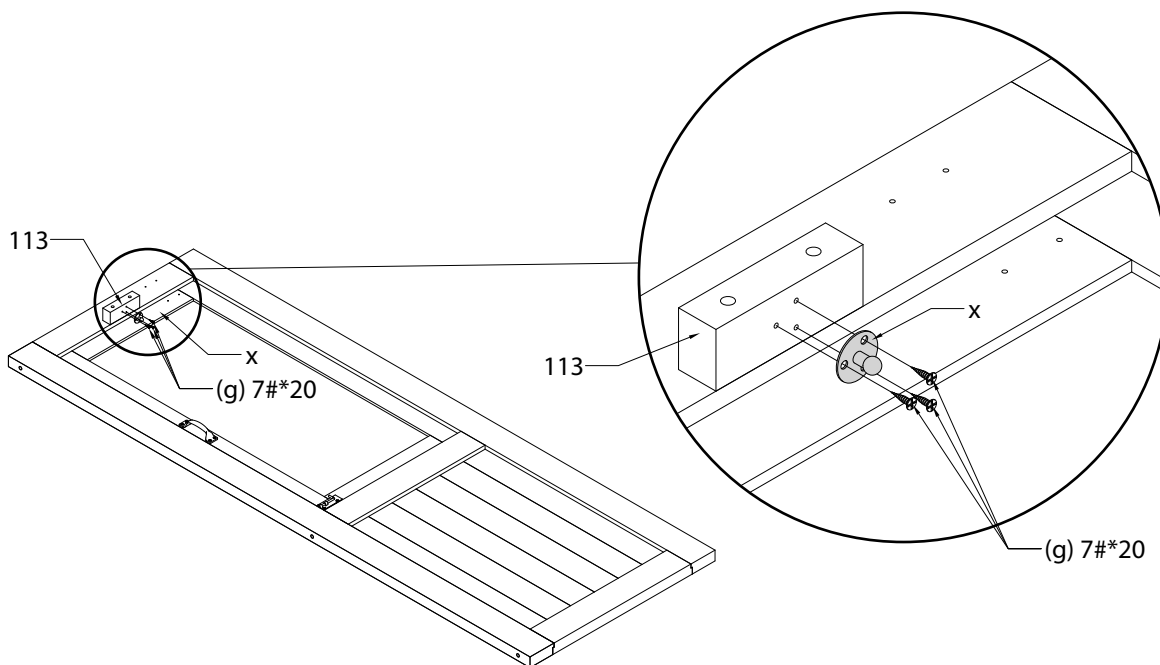


Part 5

1. Barometric rod (x) _ 1 pc



2. Wood screw (g) : 7#*20 _ 3 pcs

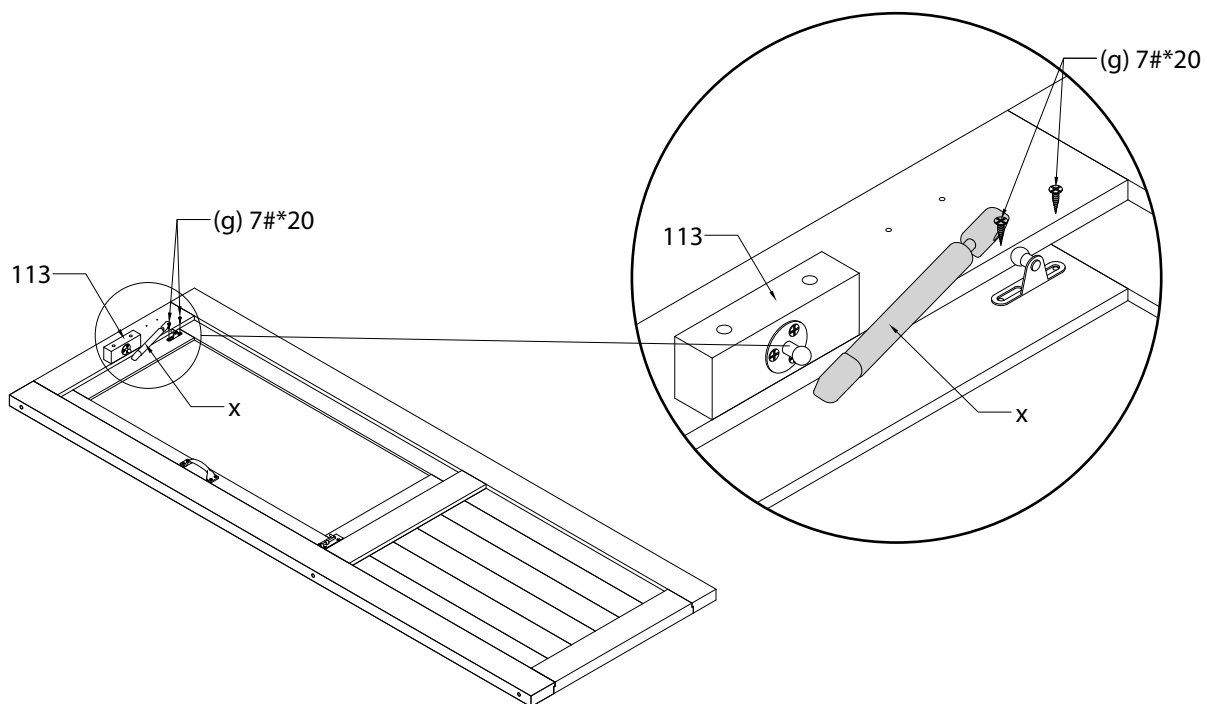


Part 6

Step 9

Door assembly

3. Wood screw (g) : 7#*20 _ 2 pcs

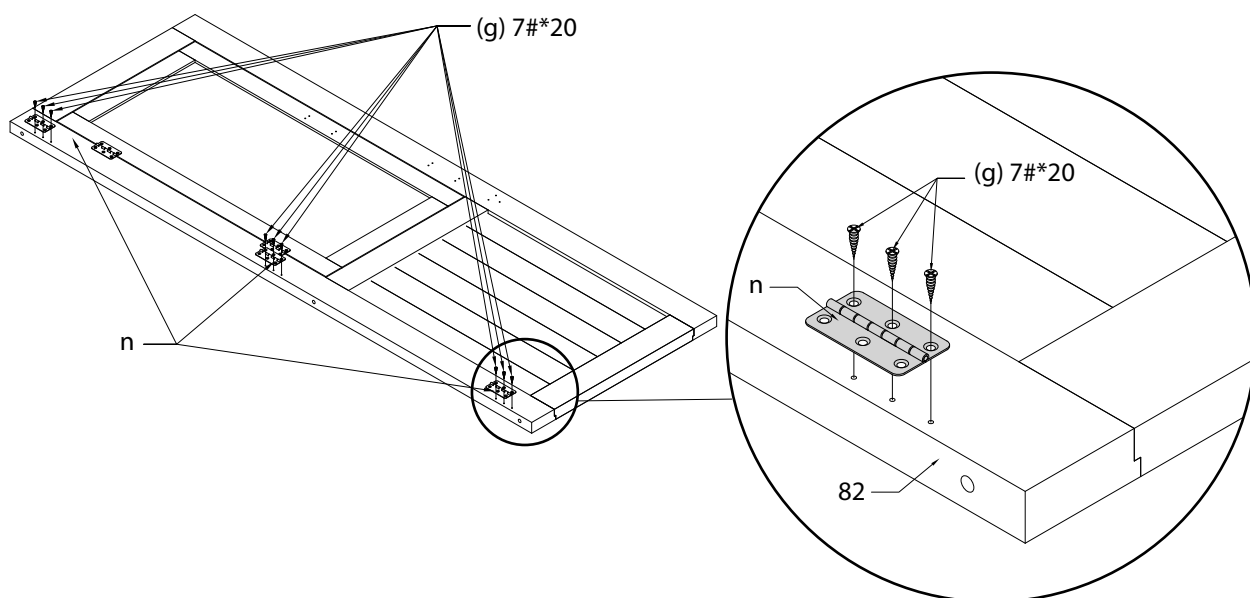


Part 7

1. Square hinge-black (n) : 75*43*5 _ 3 pcs



2. Wood screw (g) : 7#*20 _ 9 pcs

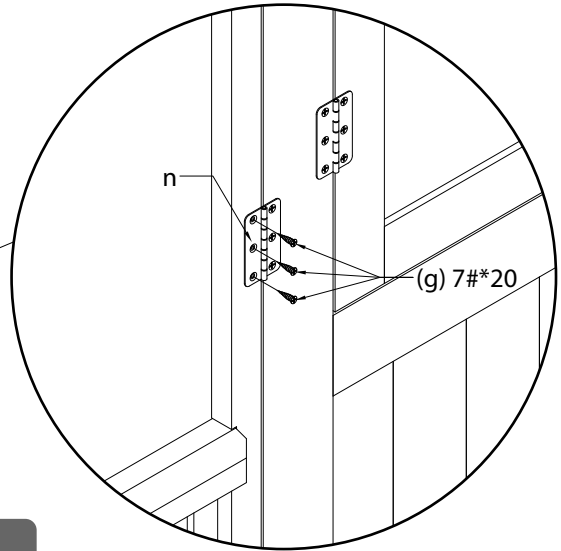
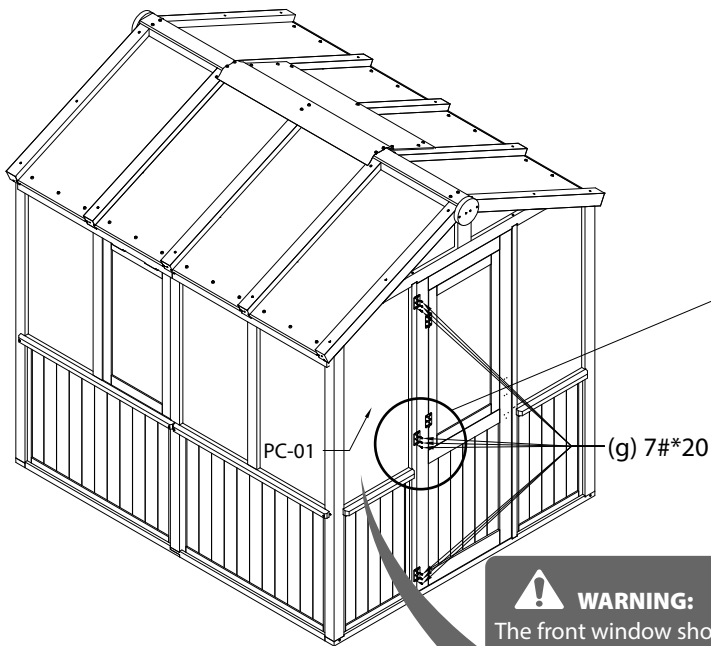


Part 8

Step 9

Door assembly

1. Wood screw (g) : 7#*20 _ 9 pcs



WARNING:

The front window should be closed when you open the door to prevent it from hitting the left front side PC sheet (PC-01).

Part 9

1. Sliding barrel bolt-black (o) _ 1 pc



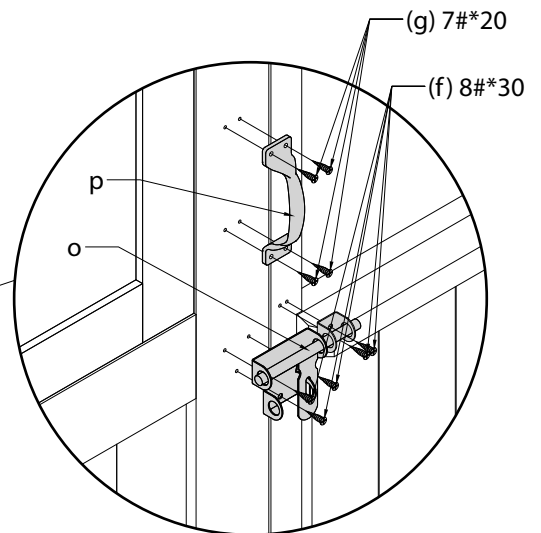
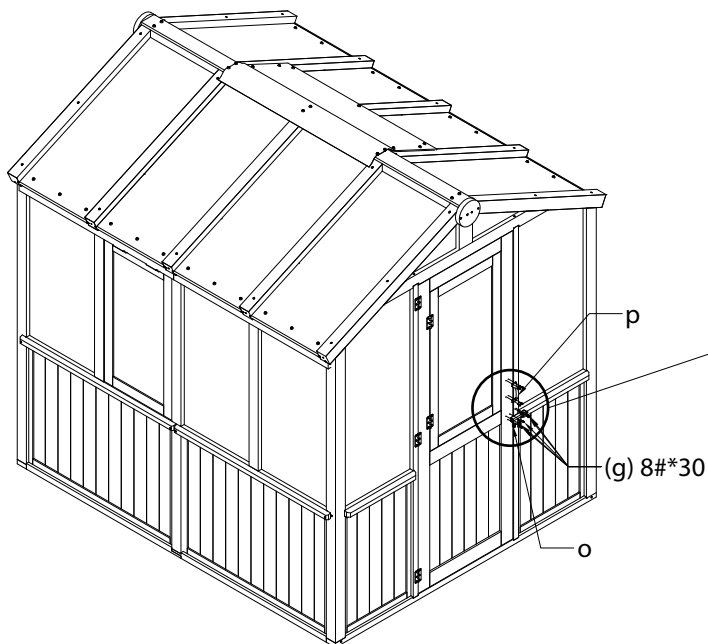
2. Hold hands (p) _ 1 pc



3. Wood screw (g) : 7#*20 _ 8 pcs



4. Wood screw (f) : 8#*30 _ 5 pcs



Part 10

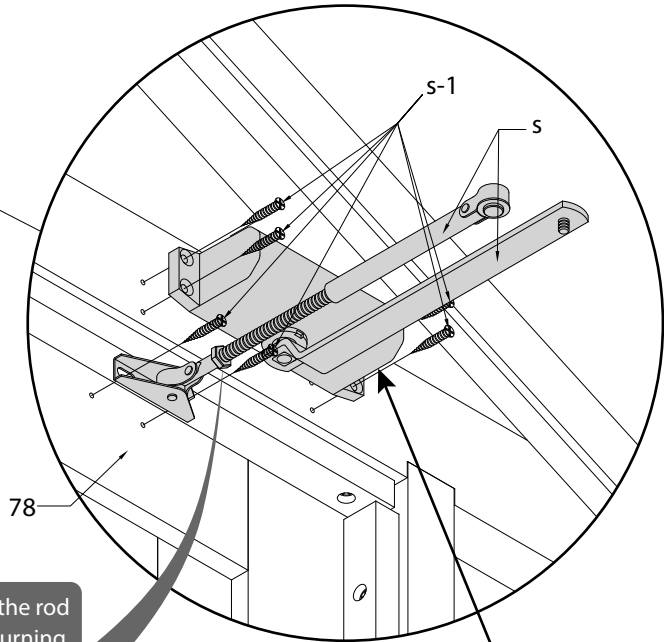
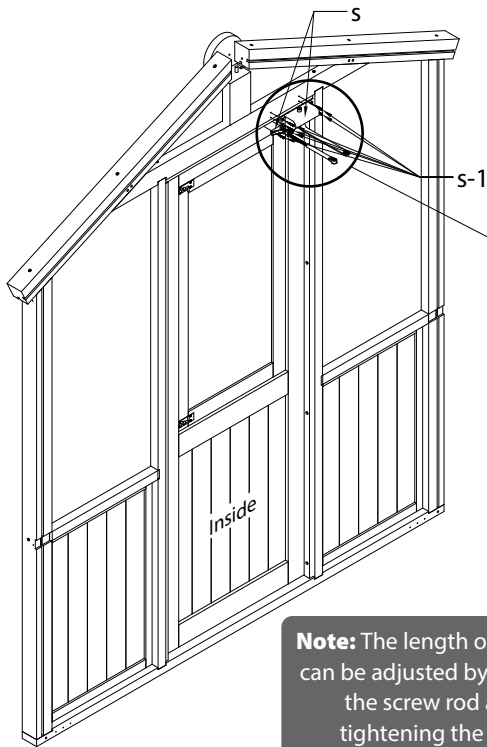
Step 9

Door assembly

1. Door closers (s) _ 1 pc



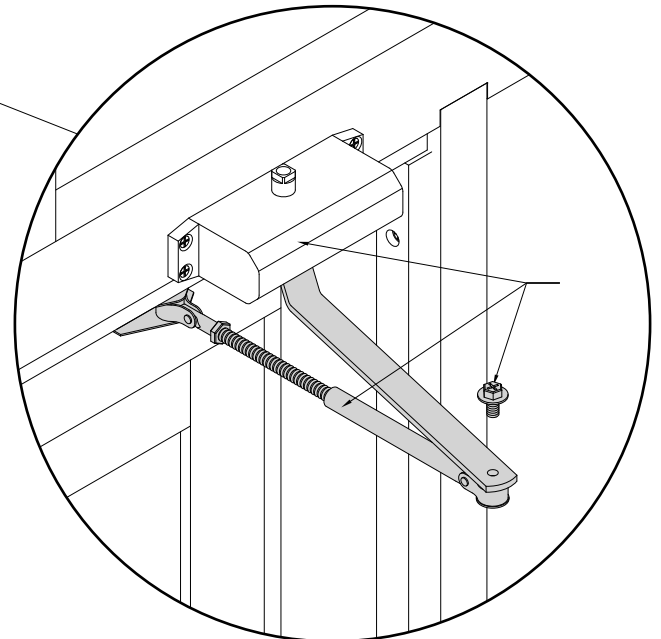
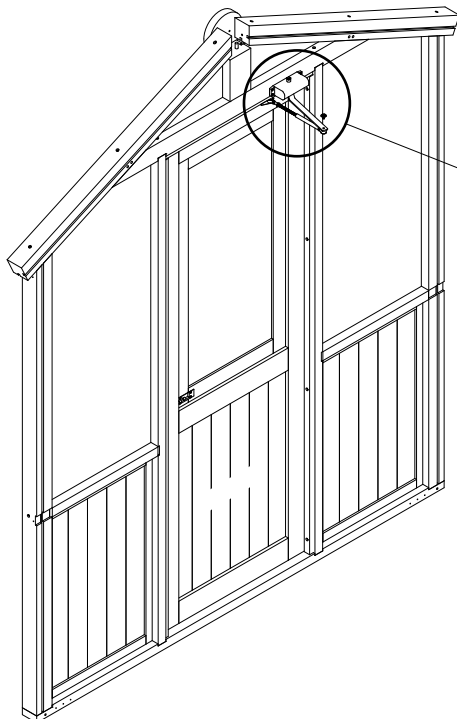
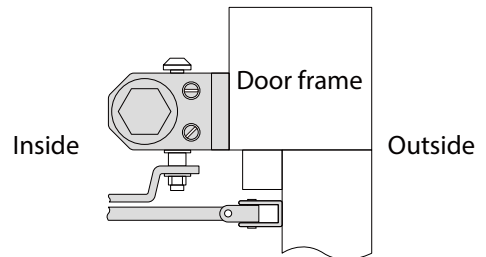
2. Door closers screw (S-1) : 10#*30 _ 6 pcs



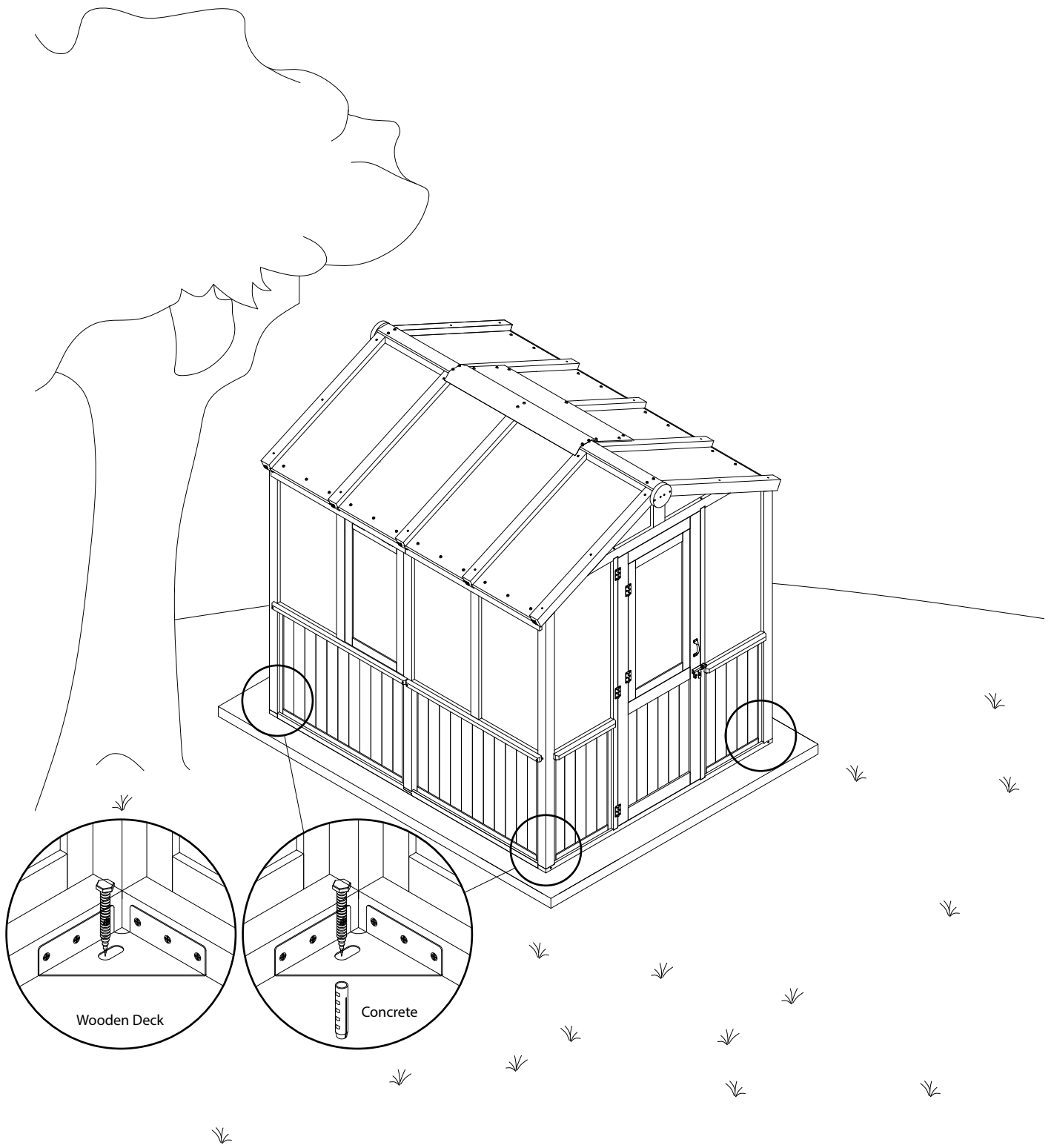
Note: The length of the rod can be adjusted by turning the screw rod and tightening the nut.

Part 11

Tip: Make sure the Speed Control Valve of the door closer is on the right.



Part 12



Tips:

Please purchase the anchors from local hardware store if anchor the greenhouse to concrete or wood.

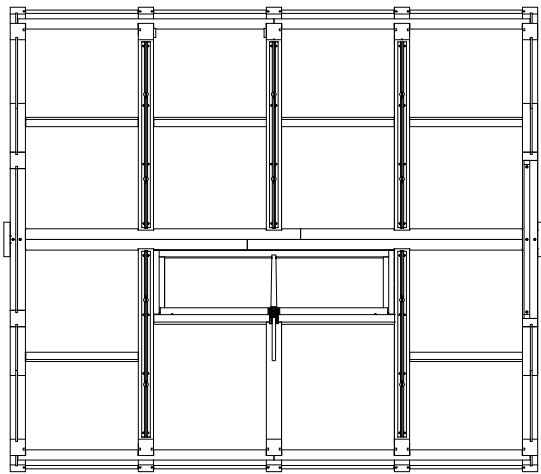
Apply sealant

1. Silicone clear - 300ml tube (w) _ 3 pc

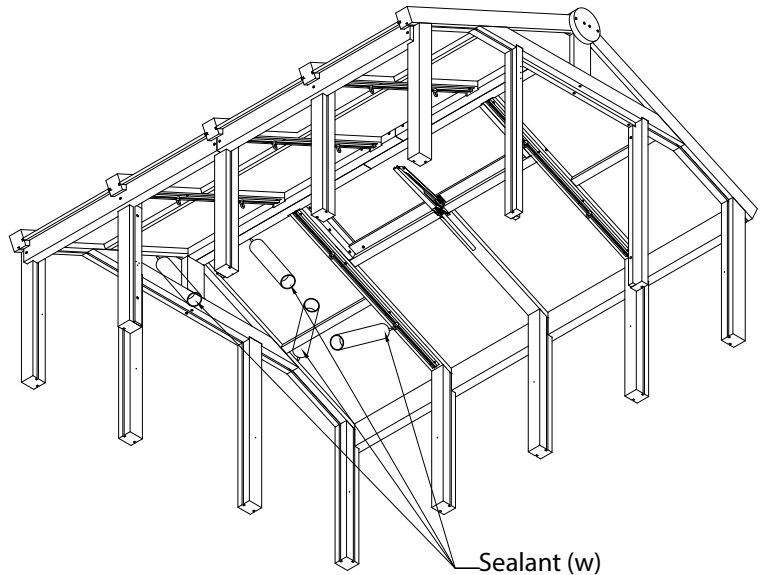


A: On both inside and outside of the assembly, apply silicone sealant on three sides of each roof panel and small roof panel as shown in step 7. Sealant should be applied in small beads and smoothed out.

B: From outside of the assembly, front wall, back wall and both side walls apply silicone sealant on sides and bottom of left and right Front/Back side panels, back center panel and side panels. Sealant should be applied in small beads and smoothed out.

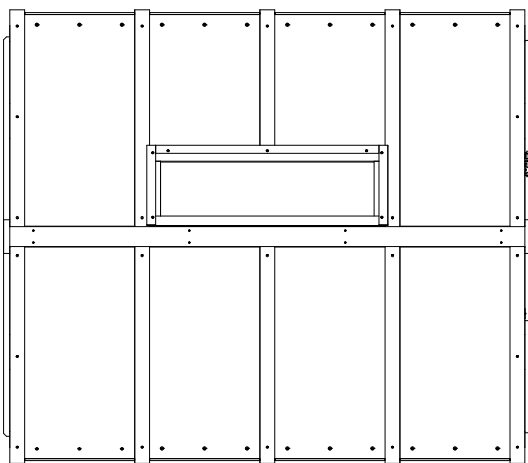


(Inside upward view)

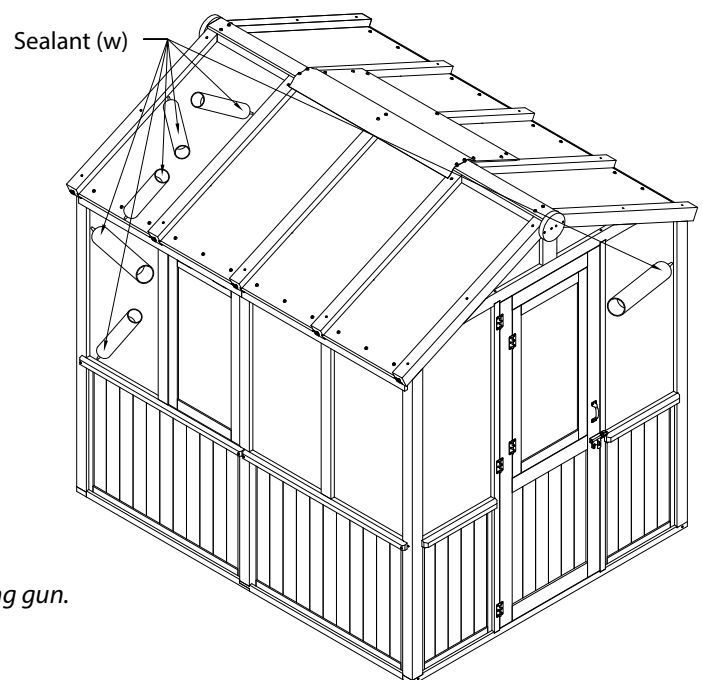


C: From outside of the assembly, on front and back walls apply silicone sealant on bottom of gable panels. Sealant should be applied in small beads and smoothed out.

D: Apply silicone caulking on the tip edge of PC U-channel to seal to roof and small roof panels. Sealant should be applied in small beads and smoothed out.



(Outside top view)



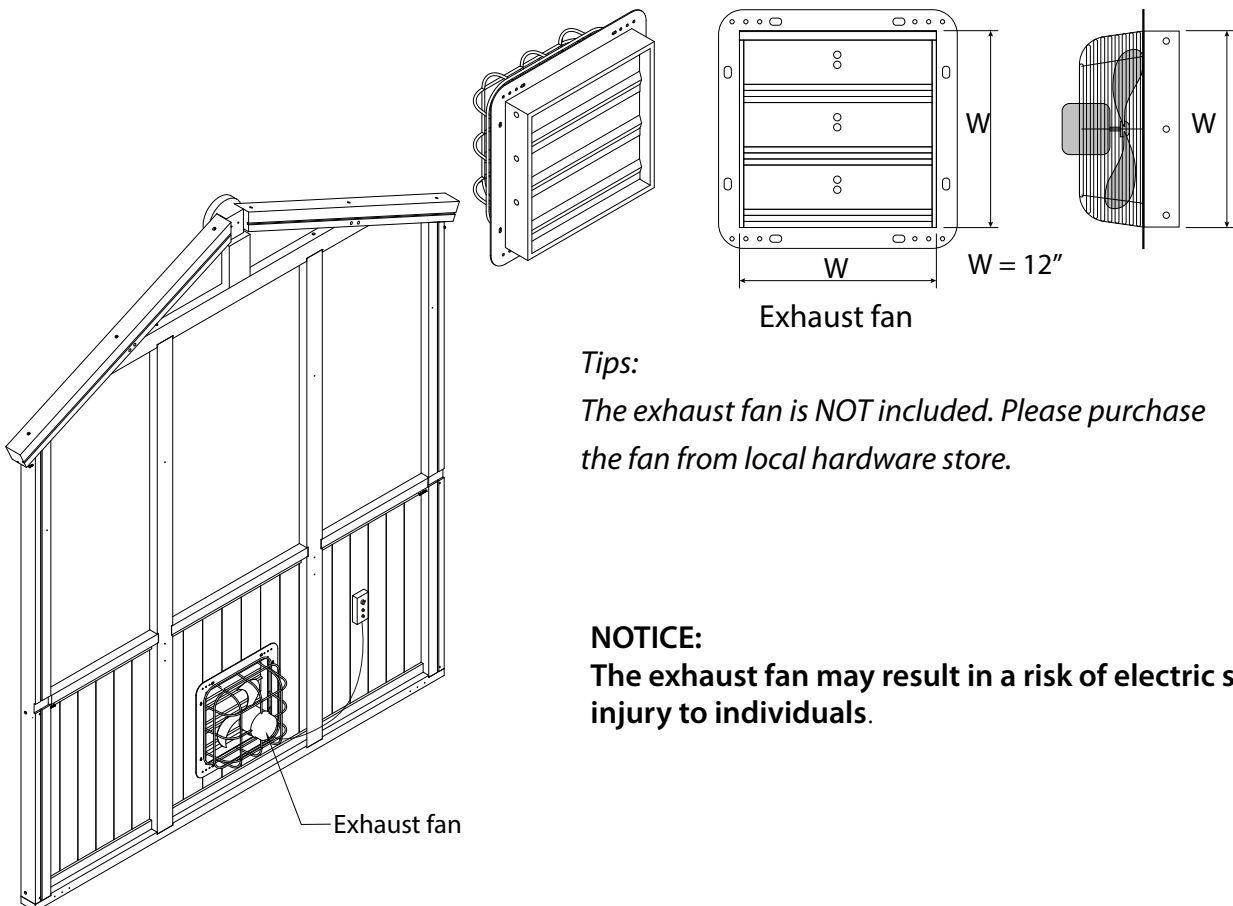
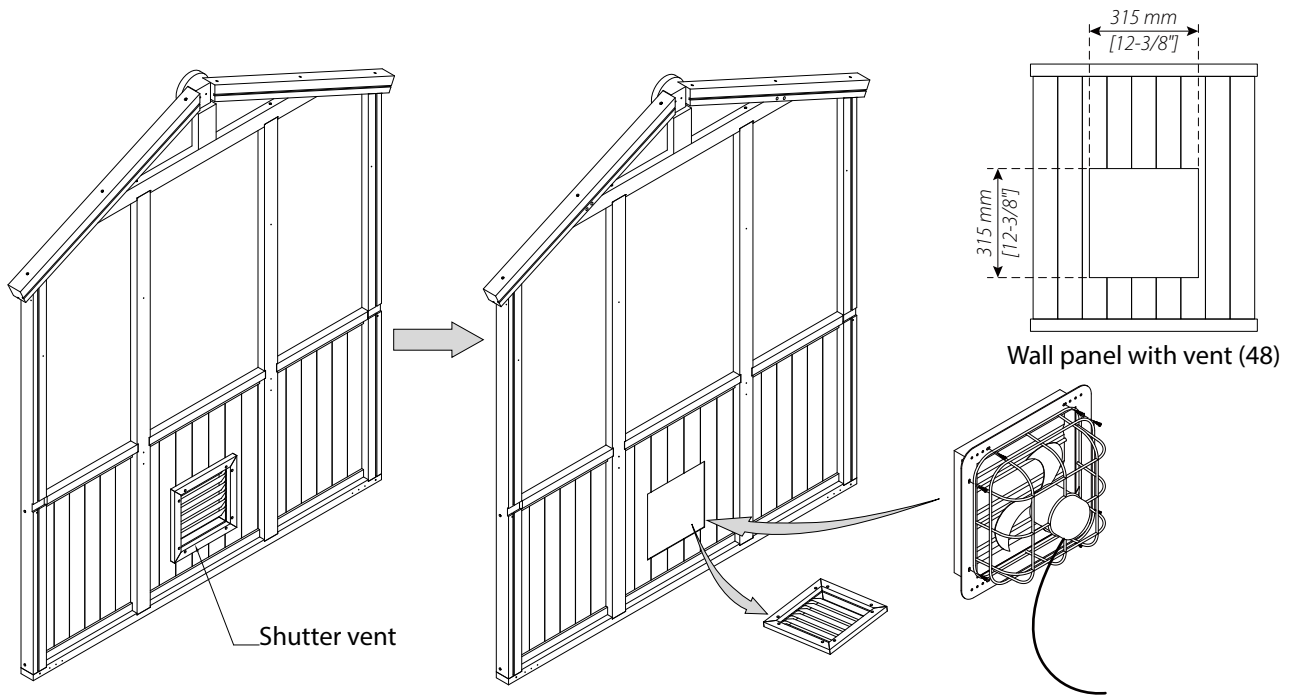
Note: all surfaces to be clean, dry, dust and grease free before application with temperatures above 5°C (41°F), no warmer than 35°C (95°F).

- Cut off tip of tube, attach supplied nozzle then put in caulking gun.
- Apply sealant in small beads and smooth as required.
- Clean excess with a cloth or paper towel before it skins over.
- Always wear safety glasses and rubber gloves when using product.

Conversion of exhaust shutter to exhaust fan

A: There is a shutter vent at the lower end of the back wall for ventilation. For better ventilation, this position allows removal and installation of exhaust fans for use.

B: The square opening size on the wall panel for ventilation is 315 x 315 mm [12-3/8" x 12-3/8"], which is suitable for a 12" exhaust fan.



Tips:

The exhaust fan is NOT included. Please purchase the fan from local hardware store.

NOTICE:

The exhaust fan may result in a risk of electric shock, injury to individuals.

Apply shade cloth to the roof

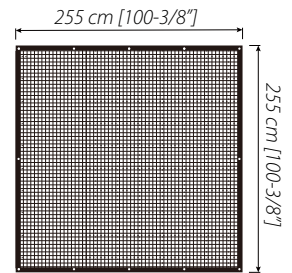
The greenhouse is designed with a structure that can be fitted with a shade cloth to provide shade for the plants inside during the summer.

A: Each top rafter port has a female (M6) nut threaded into it, which is reserved for easy installation of the shade cloth.

B: A 255 x 255 cm [100-3/8" x 100-3/8"] shade cloth is used here.

C: This requires 8 screw knobs (M6).

D: Attach the shade cloth to the roof top through the grommets on the shade cloth using the screw knobs.

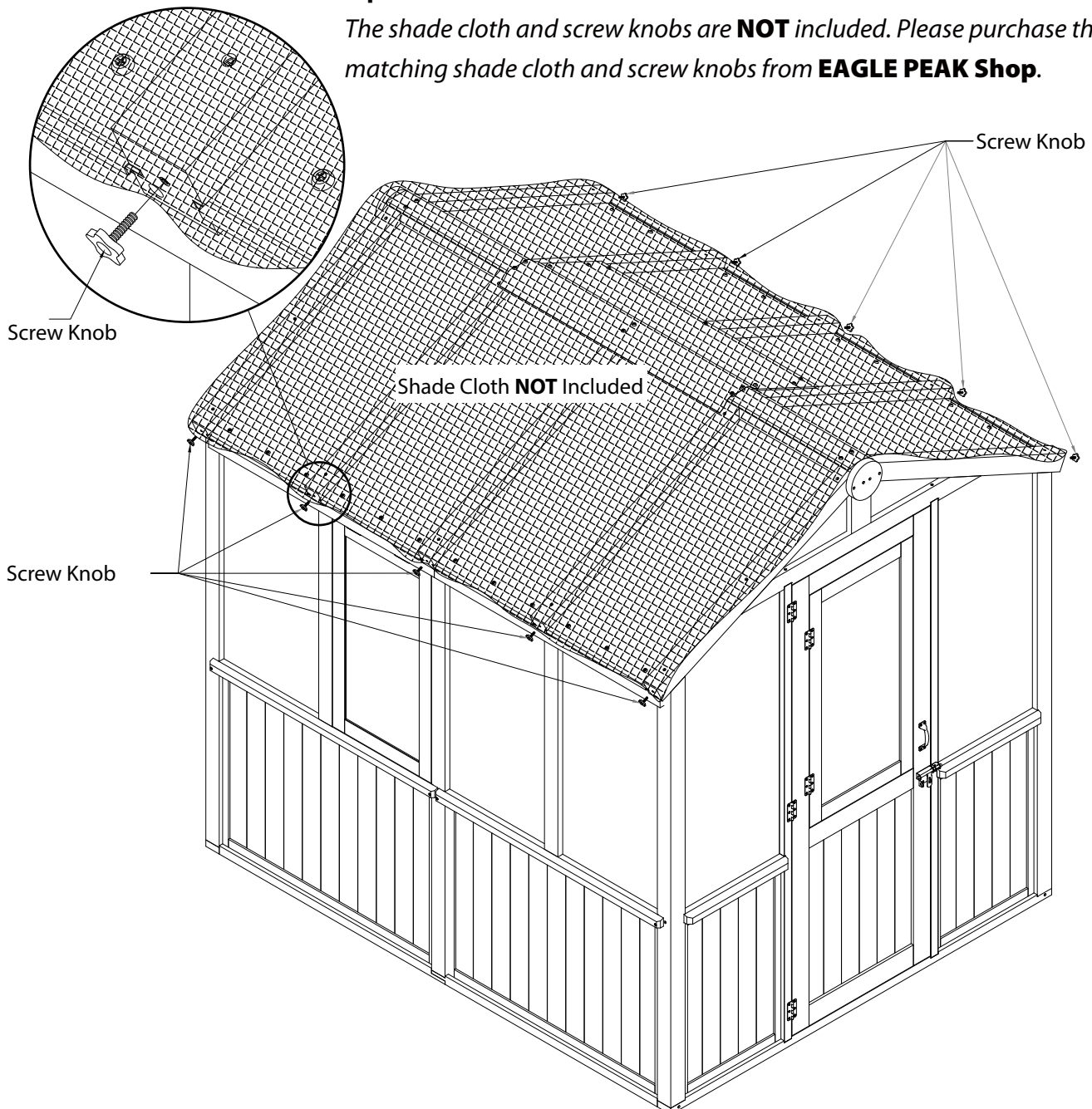


Screw Knob
(NOT Included)

Shade Cloth
(NOT Included)

Tips:

The shade cloth and screw knobs are **NOT** included. Please purchase the matching shade cloth and screw knobs from **EAGLE PEAK Shop**.



Thanks for choosing us.
we are committed to providing innovative,
easy-setup, stylish and functional outdoor canopies,
greenhouses, gazebos, and more. We are devoted to
creating and developing first-class products with
leading features and aesthetics that help you relax and
enjoy your outdoor spaces.

IF YOU PURCHASED THE GREENHOUSE ONLINE AND HAVE ANY
QUESTIONS OR CONCERNS

PLEASE CONTACT US WITH EMAIL OR TEXT

EMAIL: service2outdoor@gmail.com

TEXT: +1 628-263-4608