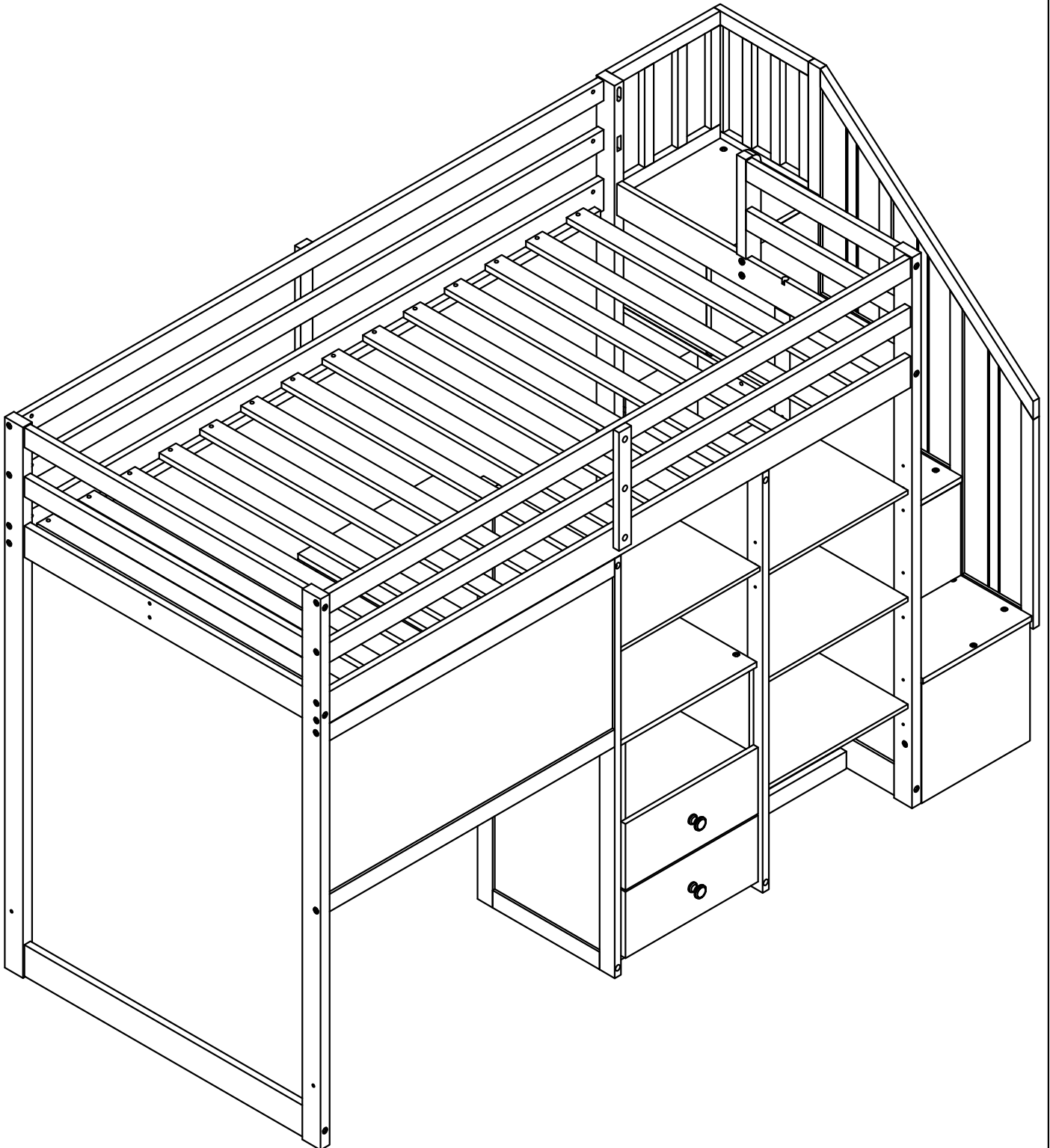


ASSEMBLY INSTRUCTION

SKU CODE: (WF295312-WF295313-WF295314)

This set is included 3 boxes if don't receive full 3 boxes please contact our customer service team



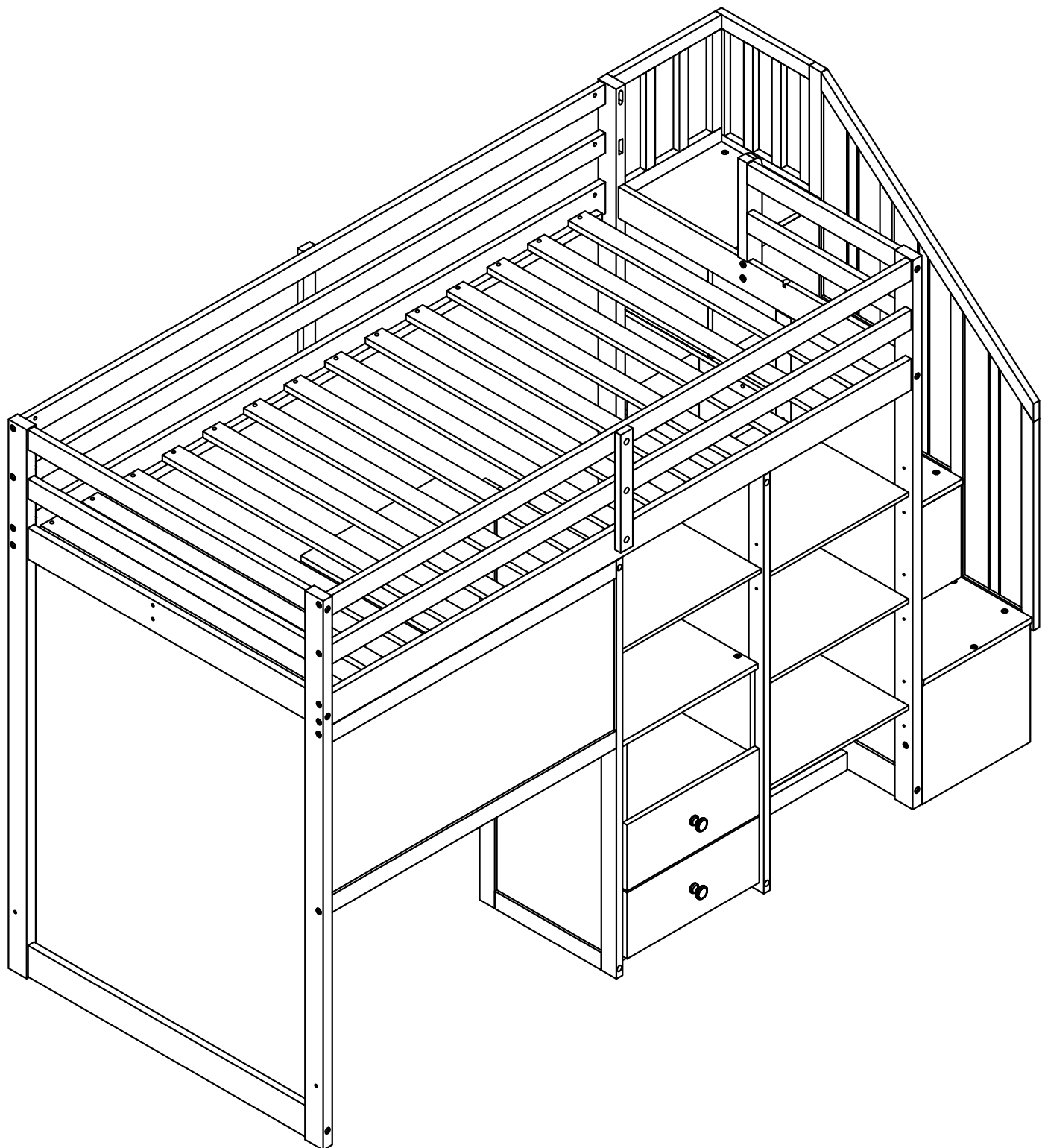
! SAFETY WARNINGS !

1. This bed is designed for use only mattress (es) meeting the following specifications on the upper bunk, and lower bunk

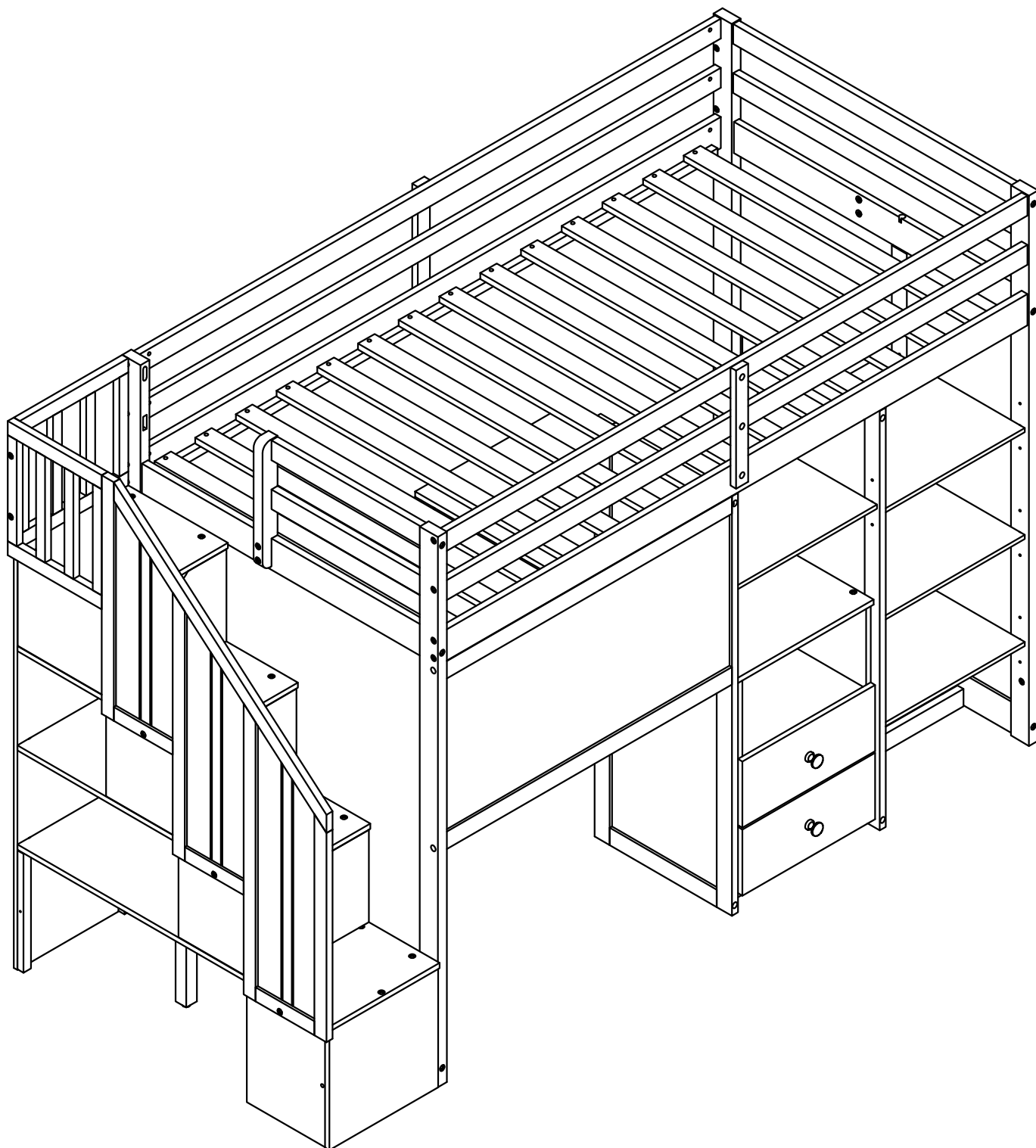
Upper bed Bed Type	Length	Width	Thickness
<i>Twin Standard</i>	<i>74" - 75"</i>	<i>38 1/2"</i>	<i>6" max</i>

2. Replacement parts, including additional guardrails, maybe obtained from any of our (GIGACLOUD TECHNOLOGY (USA) INC. 18961 ARENTH AVENUE CITY OF INDUSTRY, CA, 91748) dealers
3. Follow the information on the warnings appearing on the upper bunk bed end structure and on the carton. Do not remove warning label from bed
4. Always use the recommended size mattresses or mattress supports, or both, to help prevent the likelihood of entrapment or falls.
5. Surface of mattress must be at least 5" (127mm) below the upper edge of guardrails
6. Do not allow children under 6 years of age to use the upper bunk.
7. Periodically check and ensure that the guardrail, ladder, and other components are in their proper position, free from damage, and that all connectors are tight.
8. Do not allow horseplay on or under the bed and prohibit jumping on the bed.
9. Always use the ladder for entering and leaving the upper bunkAlways use the ladder for entering and leaving the upper bunk.
10. Do not use substitute part. Contact the manufacture or dealer for replacement part
11. Use of a night light may provide added safety precaution for a child using the upper bunk..
12. Always use guardrails on both long sides of the upper bunk. If the bunk bed will be placed next to the wall, the guardrail that runs the full length of the bed should be placed against the wall to prevent entrapment between the bed and wall.
13. The use of water or sleep flotation mattresses is prohibited
14. STRANGULATION HAZARD - Never attach or hang items to any part of the bunk bed that are not designed for use with the bed; for example, but not limited to, hook, belts and jump ropes
15. Keep these instruction for future reference
16. Prohibit more than one person on upper bunk
17. We recommend assembling your bunk bed on the shipping carton to protect your floor or carpet
18. Be certain all staples are out of the box before beginning assembly on the shipping carton.

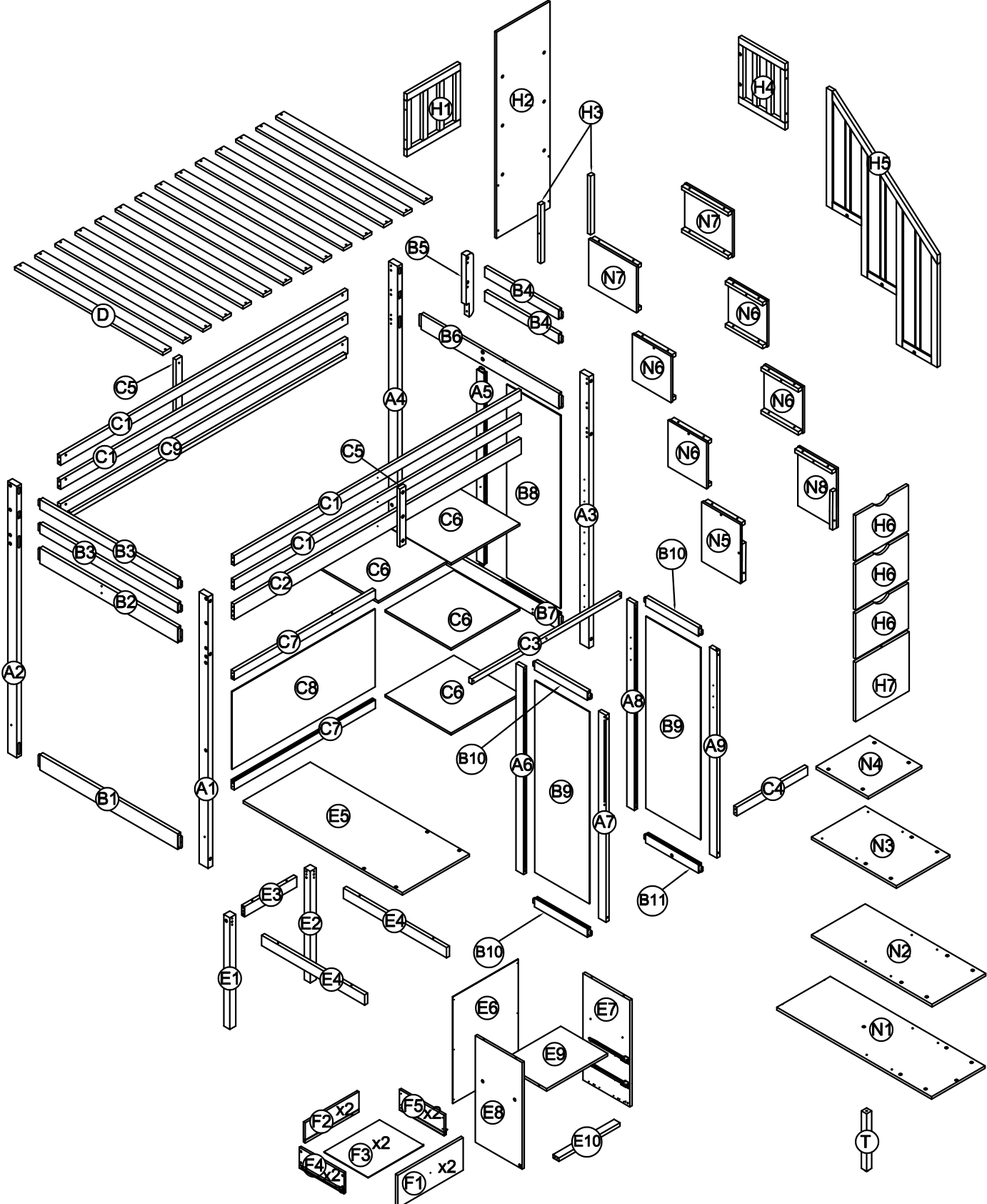
OPTION 1: STAIR IN RIGHT










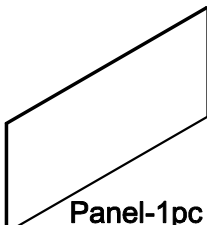
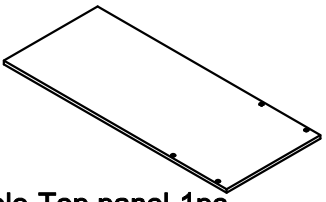
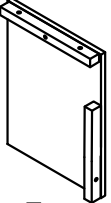
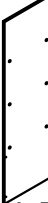

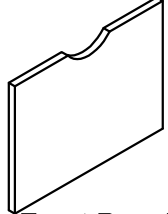
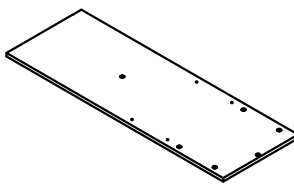
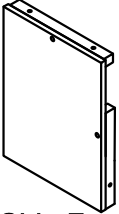
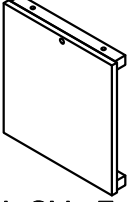
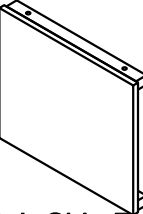
OPTION 2: STAIR IN LEFT







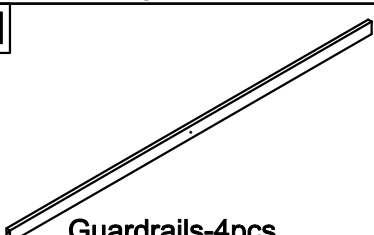
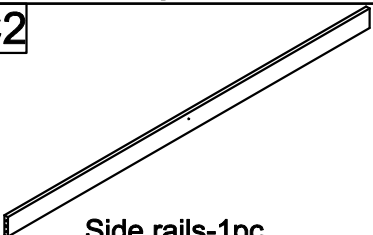
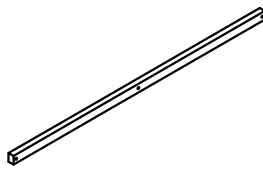

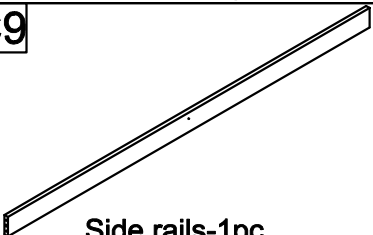
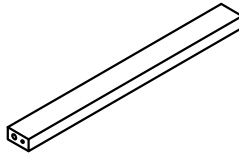
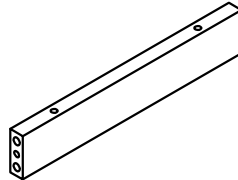

ASSEMBLY INSTRUCTION



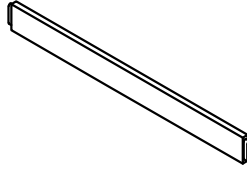
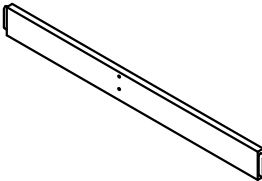
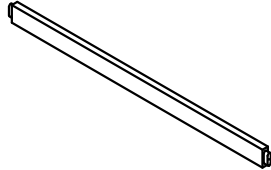
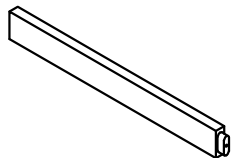
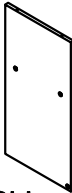
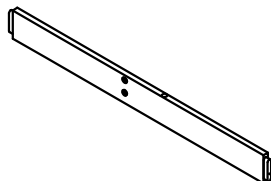
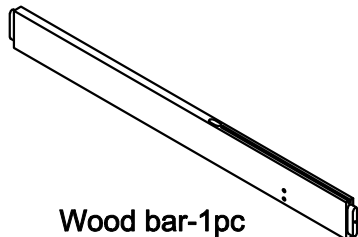
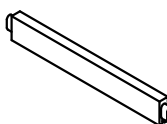
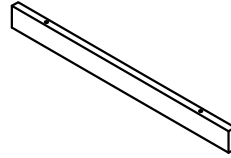
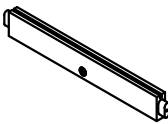
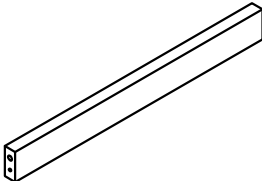
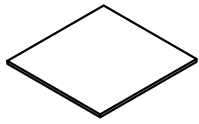
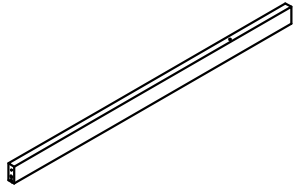
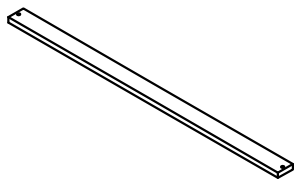



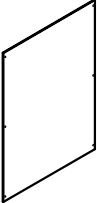
Part List(Box 1-WF295312)

<p>A5</p>  <p>Wood bar-1pc</p>	<p>A6</p>  <p>Wood bar-1pc</p>	<p>A7</p>  <p>Wood bar-1pc</p>
<p>A8</p>  <p>Wood bar-1pc</p>	<p>A9</p>  <p>Wood bar-1pc</p>	<p>B8</p>  <p>Panel-1pc</p>
<p>B9</p>  <p>Table Side panel-1pc</p>	<p>C8</p>  <p>Panel-1pc</p>	<p>E5</p>  <p>Table-Top panel-1pc</p>
<p>N8</p>  <p>Stair-Side Frame-1pc</p>	<p>H2</p>  <p>Stair-Back Panel-1pc</p>	<p>H5</p>  <p>Stair-Side Frame-1pc</p>
<p>H6</p>  <p>Stair-Front Panels-3pcs</p>	<p>N1</p>  <p>Stair-Panel-1pc</p>	<p>N5</p>  <p>Stair-Side Frame-1pc</p>
<p>N6</p>  <p>Stair-Side Frames-4pcs</p>	<p>N7</p>  <p>Stair-Side Frames-2pcs</p>	

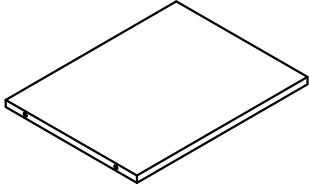
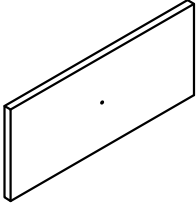
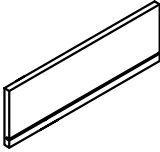
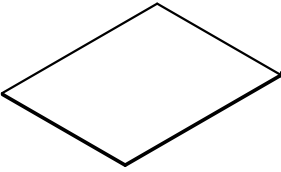
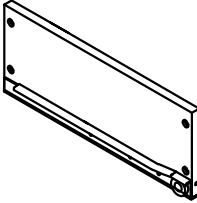
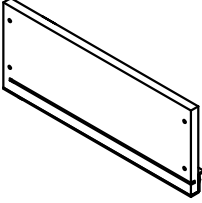
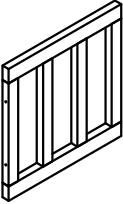


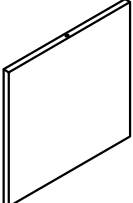
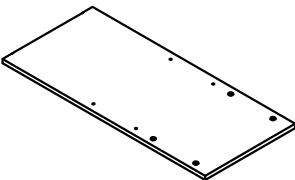
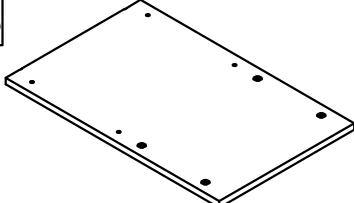
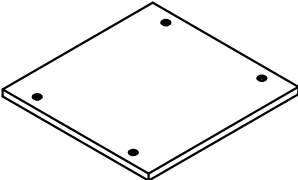

Part List(Box 2-WF295313)

A1  Leg-1pc	A2  Leg-1pc	A3  Leg-1pc
A4  Leg-1pc	C1  Guardrails-4pcs	C2  Side rails-1pc
C3  Wood bar(back)-1pc	C5  Rails-2pcs	C9  Side rails-1pc
E10  Table-Wood Bar-1pc	E3  Table-Wood bar-1pc	B5  Wood bar-1pc



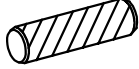







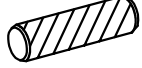



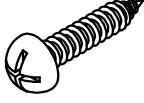


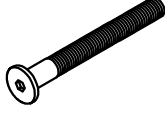

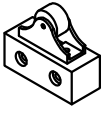
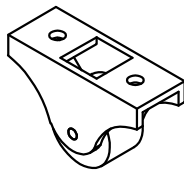
Part List & Hardware List (Box 3-WF295314)

<p>B1</p>  <p>Wood bar-1pc</p>	<p>B2</p>  <p>Wood bar-1pc</p>	<p>B3</p>  <p>Wood bars-2pcs</p>
<p>B4</p>  <p>Wood bars-2pcs</p>	<p>E8</p>  <p>Table-Side panel-1pc</p>	<p>B6</p>  <p>Wood bar-1pc</p>
<p>B7</p>  <p>Wood bar-1pc</p>	<p>B10</p>  <p>Wood bars-3pcs</p>	<p>E4</p>  <p>Table-Wood bars-2pcs</p>
<p>B11</p>  <p>Wood bar-1pc</p>	<p>C4</p>  <p>Wood bar-1pc</p>	<p>C6</p>  <p>Remove Panels-4pcs</p>
<p>C7</p>  <p>Remove Panels-4pcs</p>	<p>D</p>  <p>Slats-14pcs</p>	<p>E1</p>  <p>Table-leg-1pc</p>
<p>E2</p>  <p>Table-leg-1pc</p>	<p>E7</p> 	
<p>E6</p>  <p>Table-Back panel-1pc</p>		



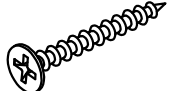
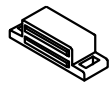

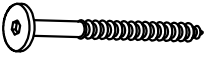
Part List & Hardware List (Box 3-WF295314)

<p>E9</p>  <p>Table-Center panel-1pc</p>	<p>F1</p>  <p>Drawer-Front panels-2pcs</p>	<p>F2</p>  <p>Drawer-Back panels-2pcs</p>
<p>F3</p>  <p>Drawer-Bottom panels-2pcs</p>	<p>F4</p>  <p>Drawer-Side panels-2pcs</p>	<p>F5</p>  <p>Drawer-Side panels-2pcs</p>
<p>H1</p>  <p>Stair-Back Frame-1pc</p>	<p>H3</p>  <p>Stair-Clients-2pcs</p>	<p>H4</p>  <p>Stair-Side Frame-1pc</p>
<p>H7</p>  <p>Stair-Front Panel-1pc</p>	<p>N2</p>  <p>Stair-Panle-1pc</p>	<p>N3</p>  <p>Stair-Panle-1pc</p>
<p>N4</p>  <p>Stair-Panle-1pc</p>	<p>T</p>  <p>Center Leg-1pc</p>	

Hardware List(Box 3-WF295314)

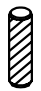

<p>1</p>  <p>Screws 1/4" x80 11pcs</p>	<p>2</p>  <p>Screws 1/4" x100 2pcs</p>	<p>3</p>  <p>Ø10 x 40 mm Wood dowel 16pcs</p>
<p>4</p>  <p>Screws 1/4" x60 12pcs</p>	<p>5</p>  <p>Ø1/4" x 35 mm Hex-Head bolts 2pcs</p>	<p>6</p>  <p>Ø1/4" x 15 mm Canopy head though -2pcs</p>
<p>7</p>  <p>Allen Key 1pc</p>	<p>8</p>  <p>Screws 1/4" x30 9pcs</p>	<p>9</p>  <p>Ø1/4" x 80 mm Hex-Head bolts 16pcs</p>
<p>10</p>  <p>Ø1/4" x 13 mm Horizontal-Hole bolts 16pcs</p>	<p>11</p>  <p>Ø8 x 30 mm Wood dowel 8pcs</p>	<p>12</p>  <p>M4 x 30 mm Wood Screws 52pcs</p>
<p>13</p>  <p>Dowel Remove Shelves 16pcs</p>	<p>14</p>  <p>Screw M3.5x12 mm 16pcs</p>	<p>15</p>  <p>M4 x 15 mm Wood Screws 22pcs</p>
<p>16</p>  <p>Ø1/4" x 30 mm Hex-Head bolts 48pcs</p>	<p>17</p>  <p>Screws 1/4" x50 11pcs</p>	<p>18</p>  <p>Ø1/4" x 50 mm Hex-Head bolts 6pcs</p>
<p>19</p>  <p>Ø1/4" x 60 mm(Head Ø13) Hex-Head bolts 6pcs</p>	<p>20</p>  <p>Wheels 4pcs</p>	<p>21</p>  <p>Wheels 2pcs</p>

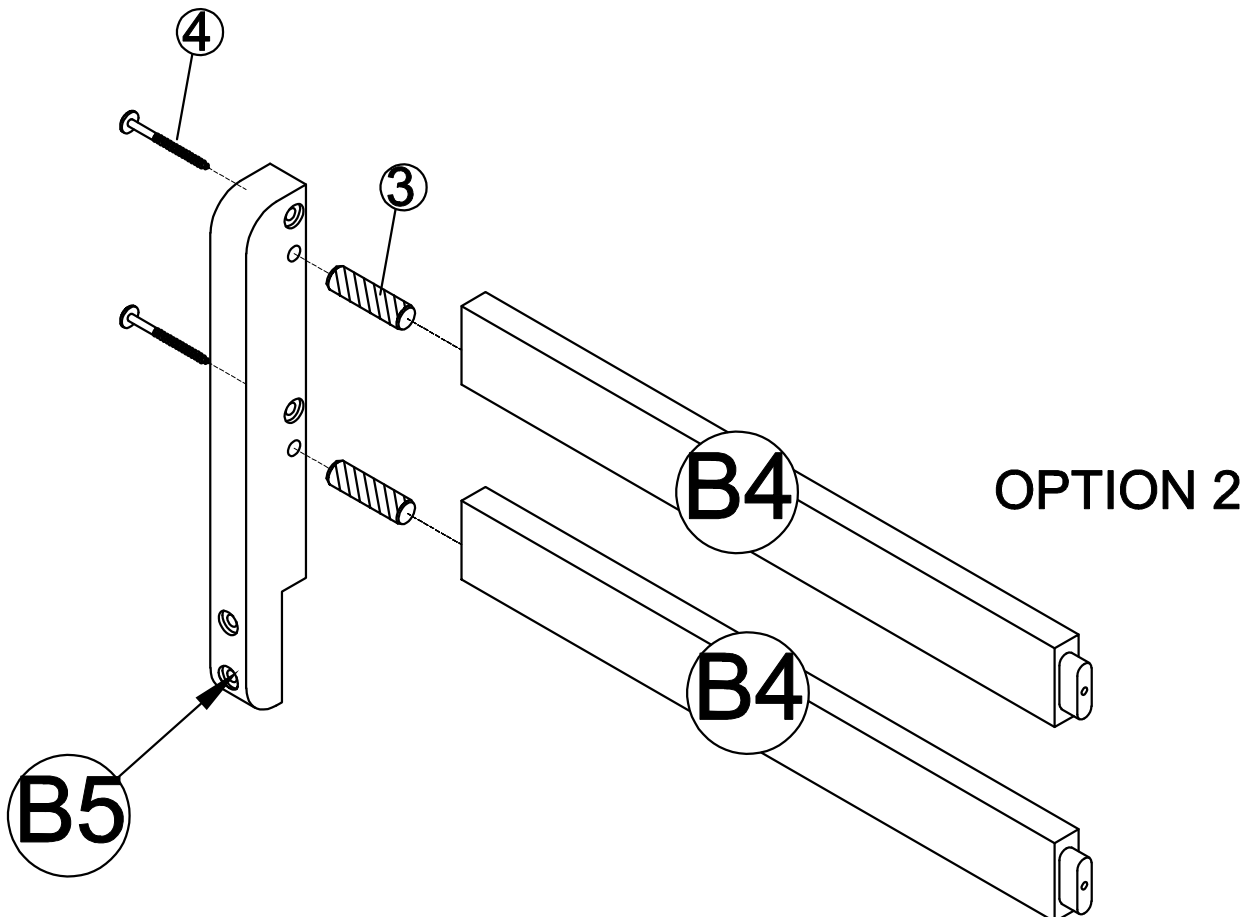
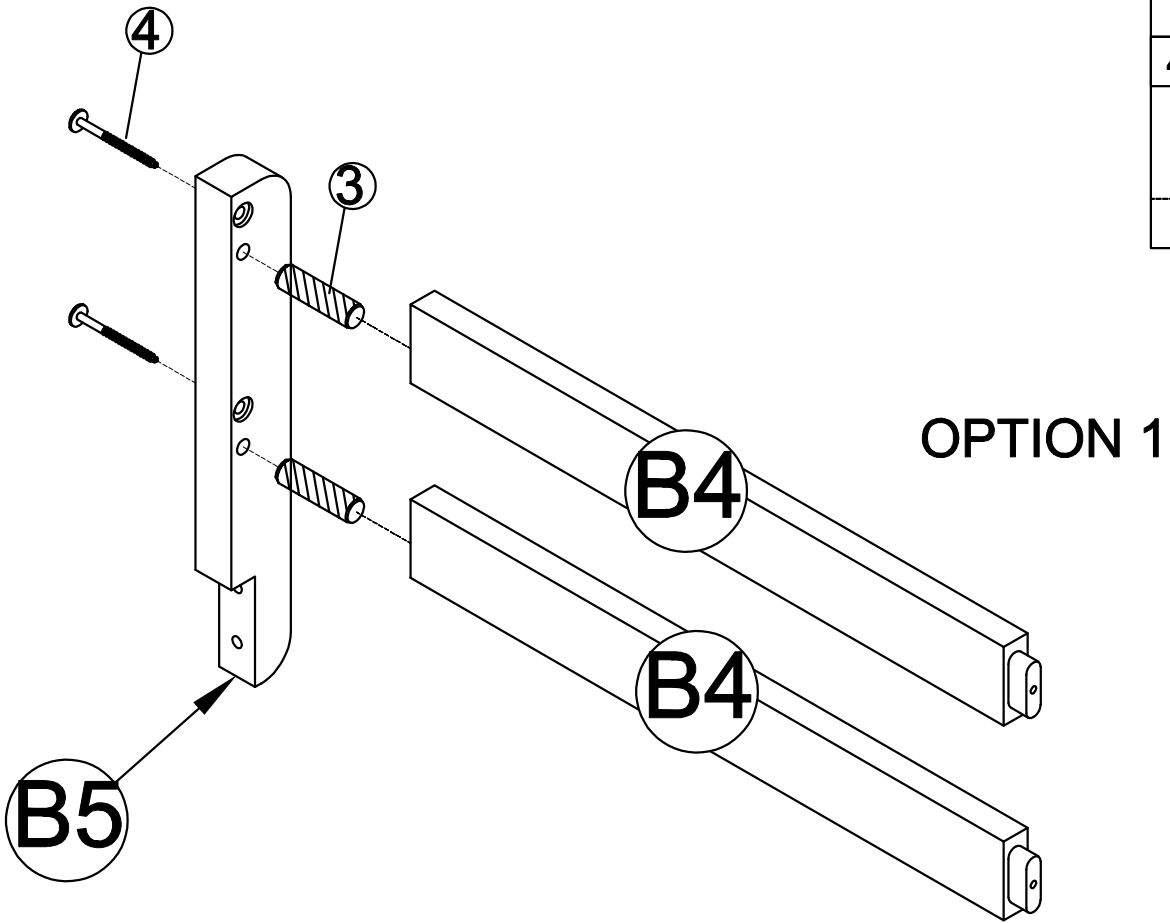
Hardware List(Box 3-WF295314)

22  Ø1/6" x 25 mm Hex-Head bolts 2pcs	23  Handle Wood 2pcs	24  M3 x 12 mm Wood Screws 18pcs
25  Door Catches 45x17x13 6pcs	26  Ø1/4" x 25 mm Hex-Head bolts 2pcs	27  Screws 1/4" x40 6pcs

STEP 1: Following below illustration:

-Using hardware #4 and Dowel 3 connect B5 Rail with B4(x2) Wood Bars

3	
	2pcs
4	
	2pcs



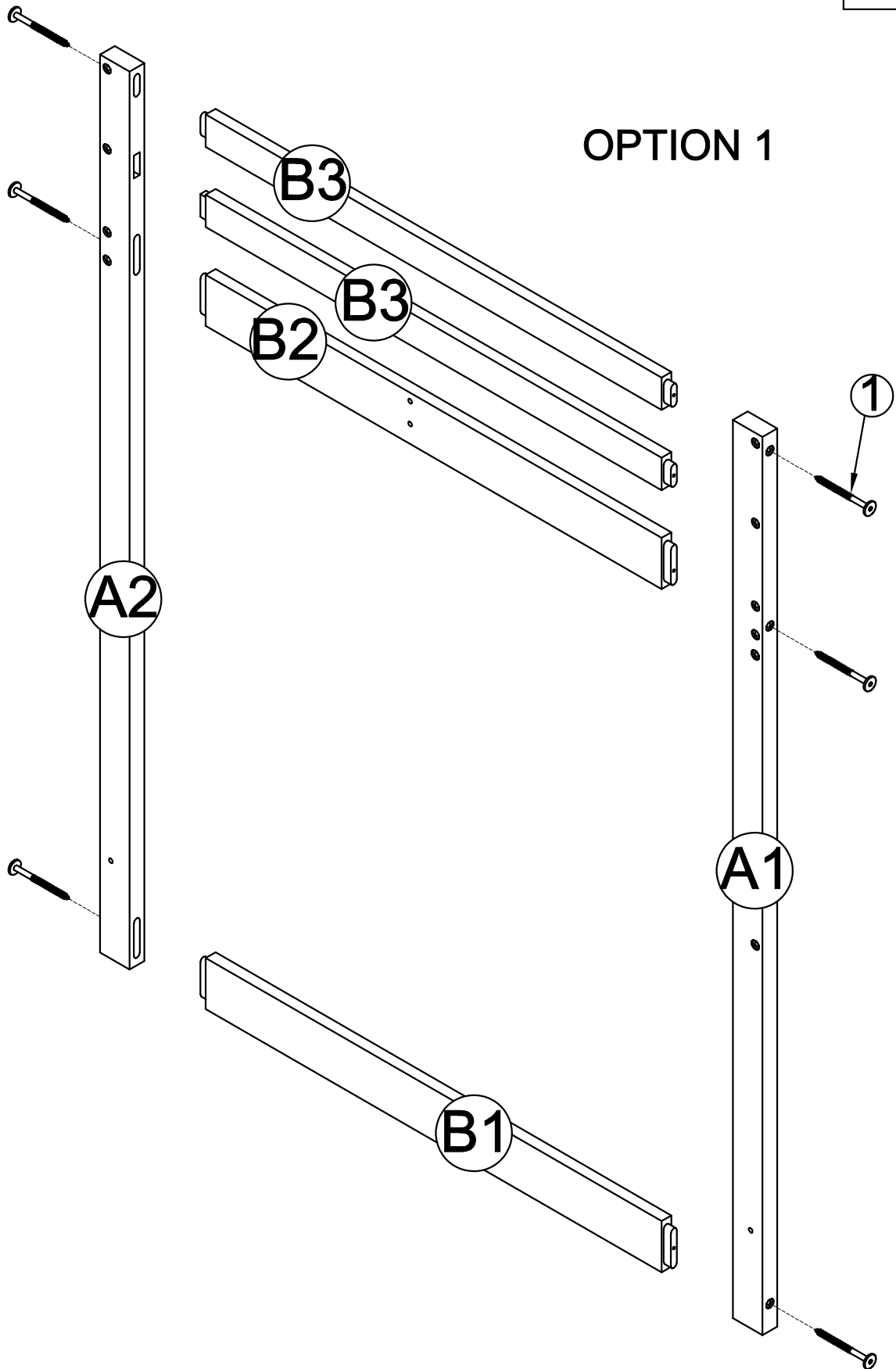
STEP 2 (OPTION 1): Following below illustration:

-Using hardware #1 connect A1,A2 Legs with B1,B2,B3(x2) Wood Bars

1



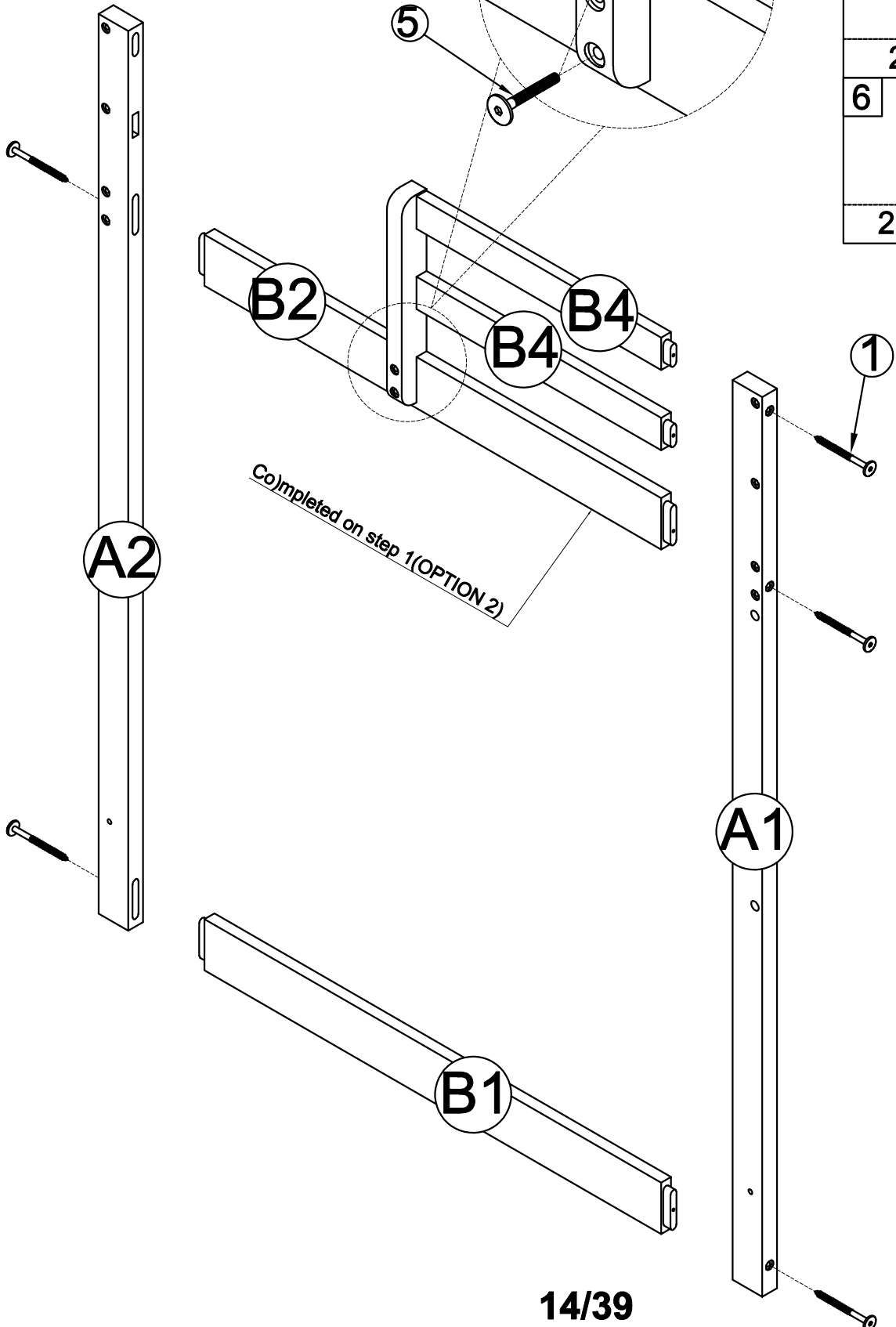
6pcs



STEP 2 (OPTION 2):

Following below illustration:

-Using hardware #1,#5,#6 connect A1,A2 Legs with B1,B2 and Frame(completed on step 1)



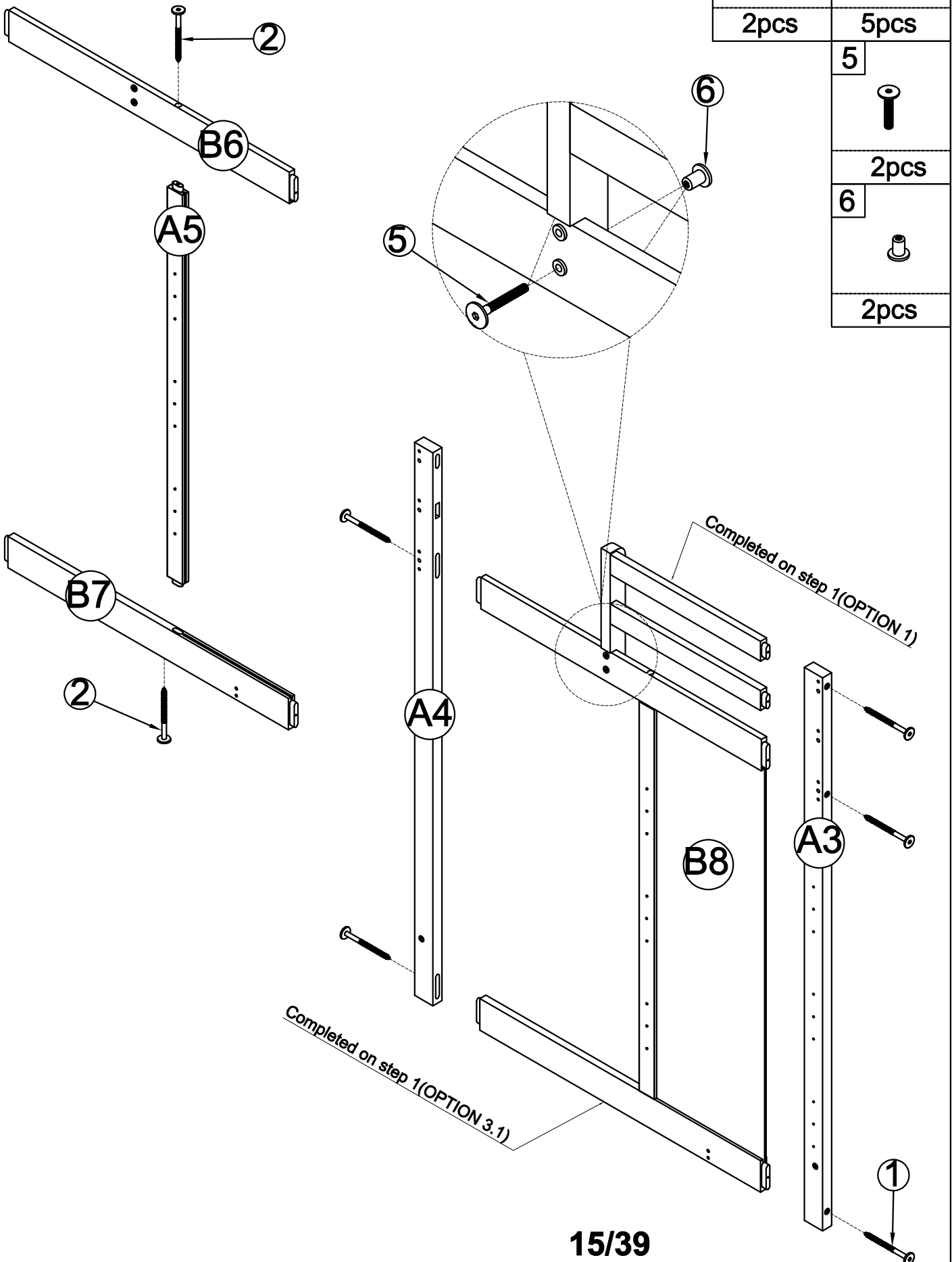
1	
	5pcs
5	
	2pcs
6	
	2pcs

STEP 3(OPTION 1):

Following below illustration:.

3.1:Using hardware #2 connect B6,B7 Wood Bars with A5 Wood Bar

3.2:Using hardware #1,#5,#6 connect A3,A4 Legs with Frame(completed on step 1,3.1) and Panel B8





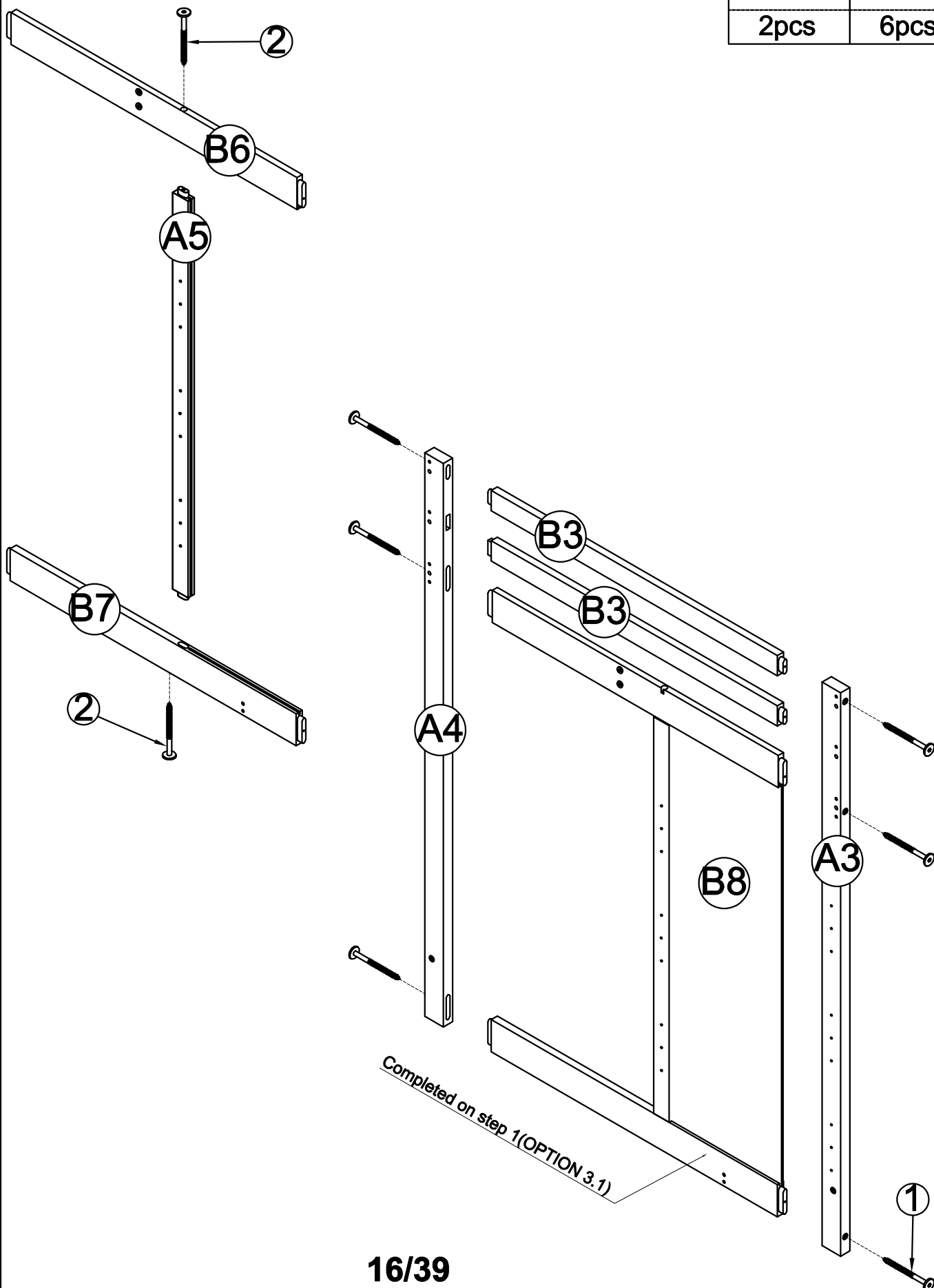
STEP 3(OPTION 2):

Following below illustration:.

3.1:Using hardware #2 connect B6,B7 Wood Bars with A5 Wood Bar

3.2:Using hardware #1 connect A3,A4 Legs with Frame(completed on step 3.1) and B3(x2) Wood bars,B8 Panel

2	1
	
2pcs	6pcs



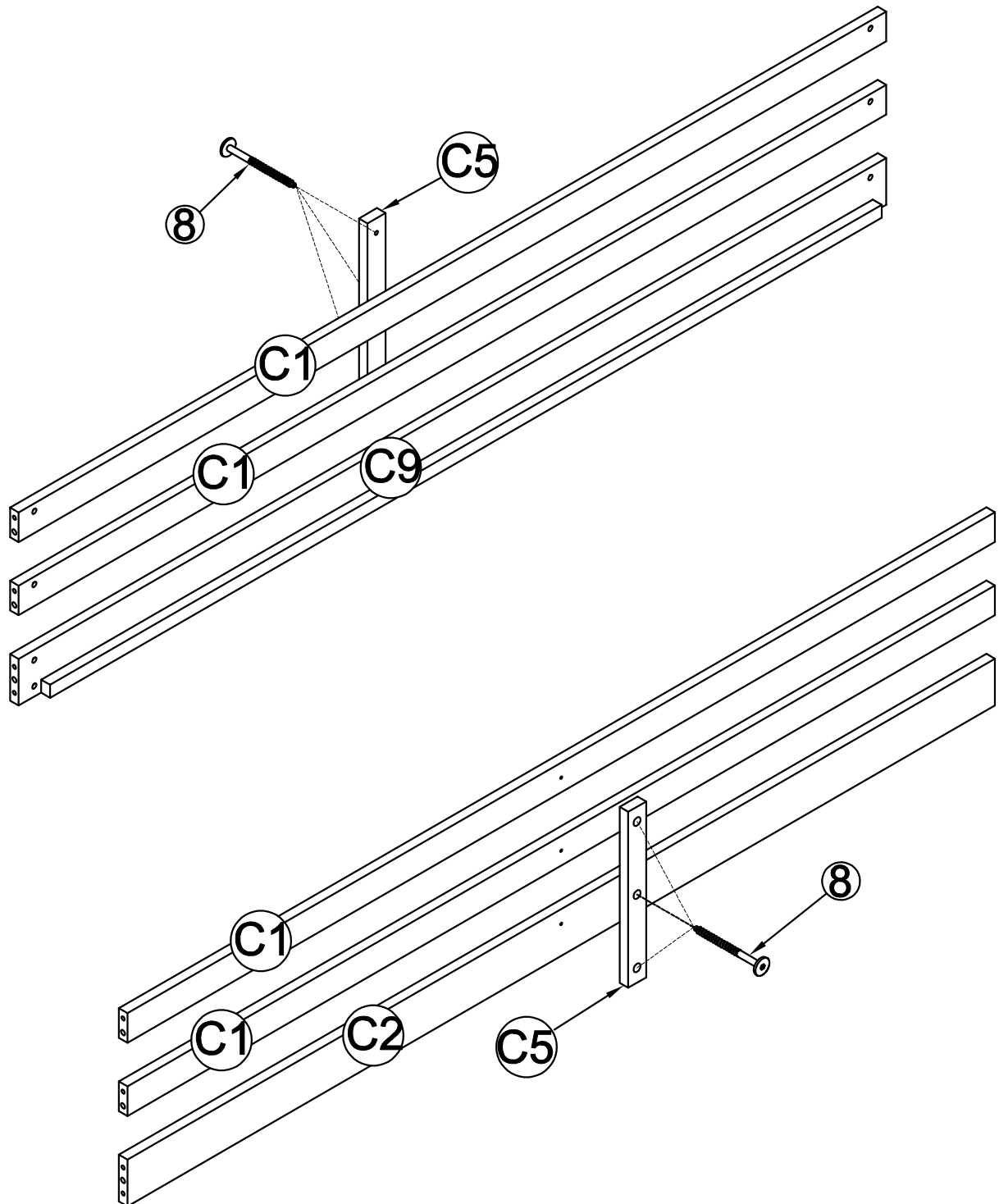
STEP 4: Following below illustration:

- Using hardware #8 connect Guardrails with C2 Side Rail
- Using hardware #8 connect Guardrails with C9 Side Rail

8



6pcs

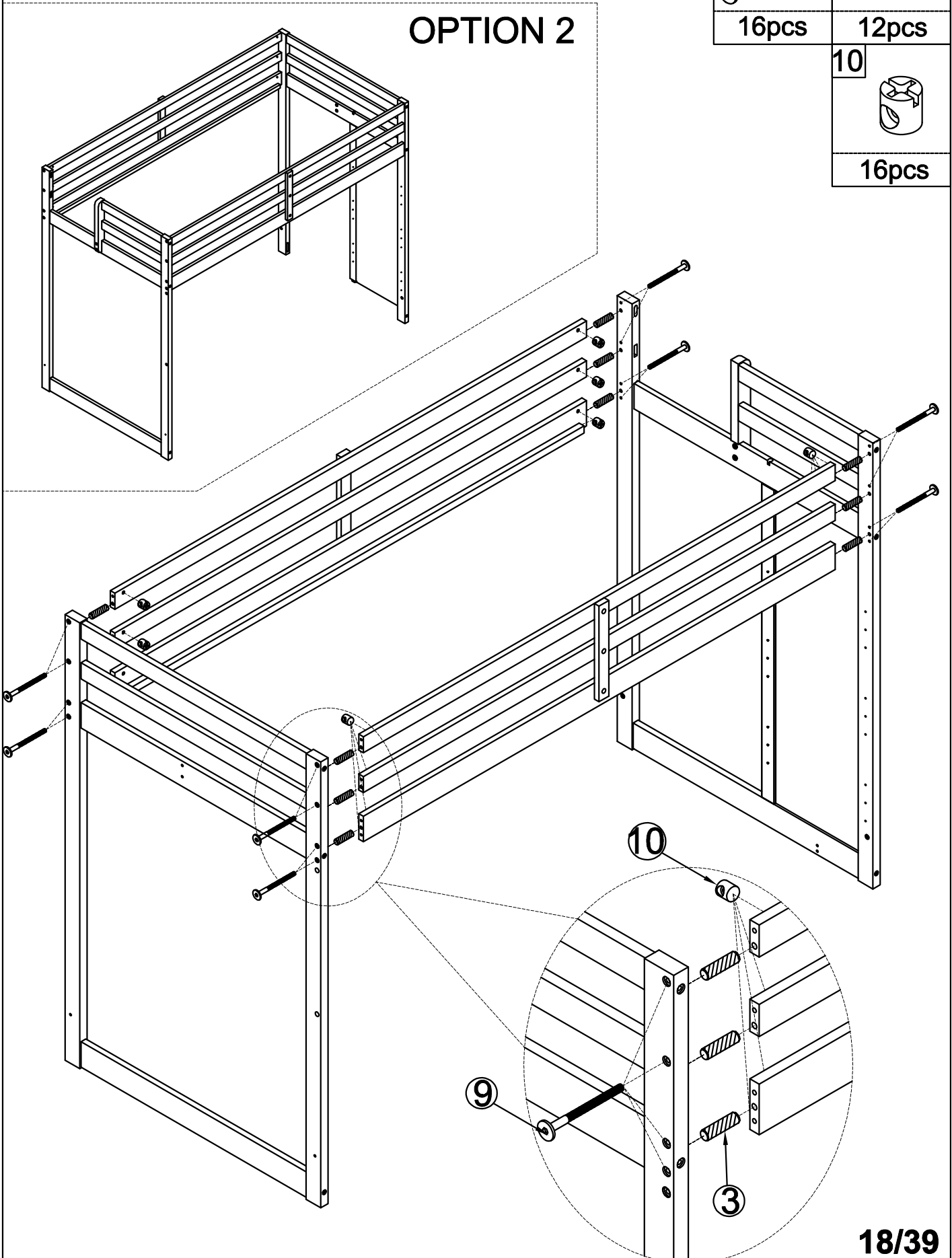


STEP 5: Following below illustration:

- Using hardware #9, #10 and dowel #3 to Assembly Frames (Completed on step 4) with Frame (Completed on step 2,3)
- Look at detail view for more detail

9		3	
16pcs		12pcs	
		10	
		16pcs	

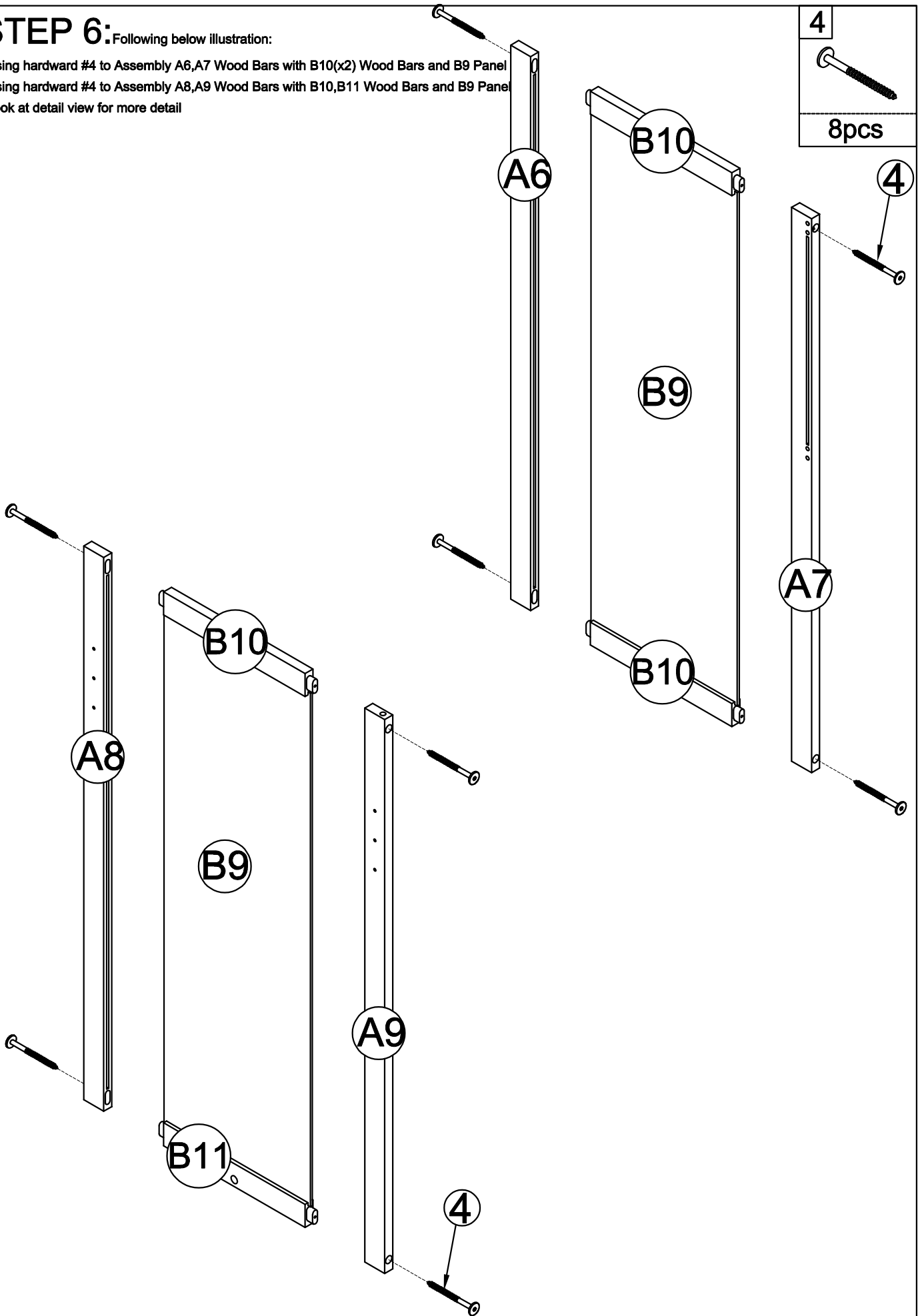
OPTION 2



STEP 6:




Following below illustration:

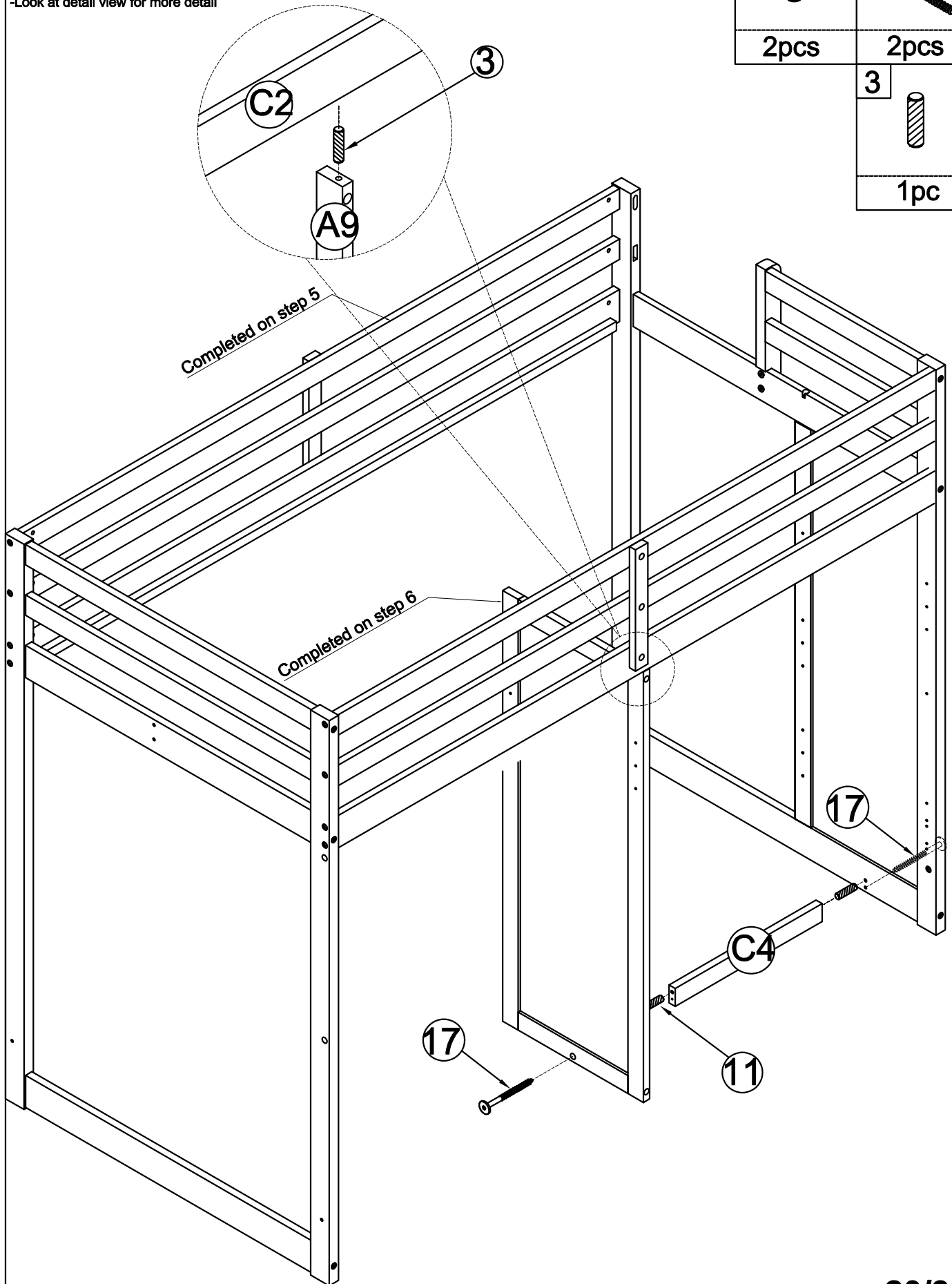
- Using hardward #4 to Assembly A6,A7 Wood Bars with B10(x2) Wood Bars and B9 Panel
- Using hardward #4 to Assembly A8,A9 Wood Bars with B10,B11 Wood Bars and B9 Panel
- Look at detail view for more detail



STEP 7: Following below illustration:

- Using hardware #17 and dowel 3,11 to Assembly C4 Wood Bars with Frames(completed on step 5,6)
- Look at detail view for more detail





11		17	
2pcs		2pcs	
		3	
		1pc	

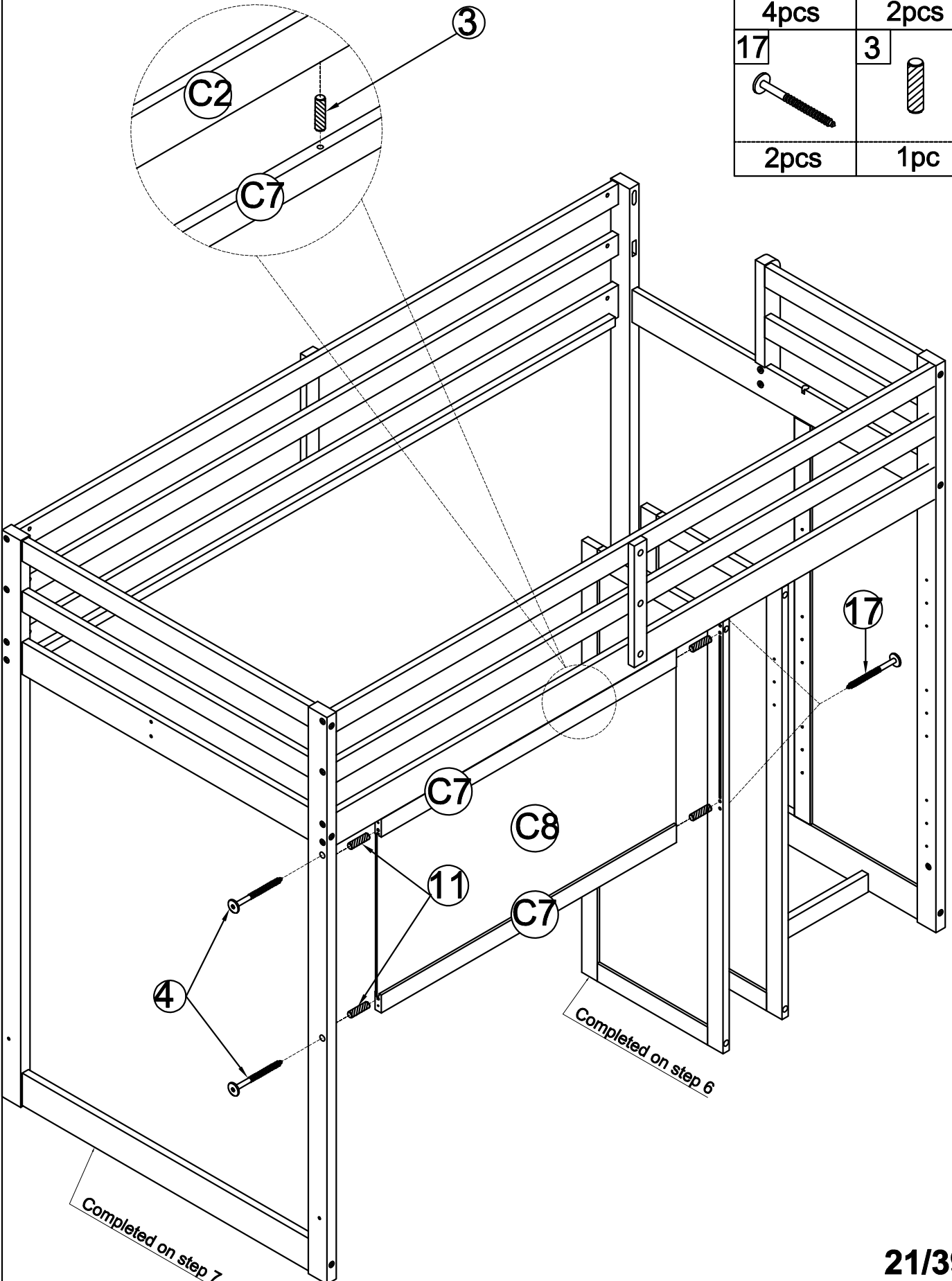


STEP 8:

Following below illustration:

- Using hardware #4, #17 and dowel 3, 11 to Assembly C7(x2) Wood Bars, C8 Panel with Frames (completed on step 7)
- Look at detail view for more detail

11		4	
	4pcs		2pcs
17		3	
	2pcs		1pc



STEP 9:

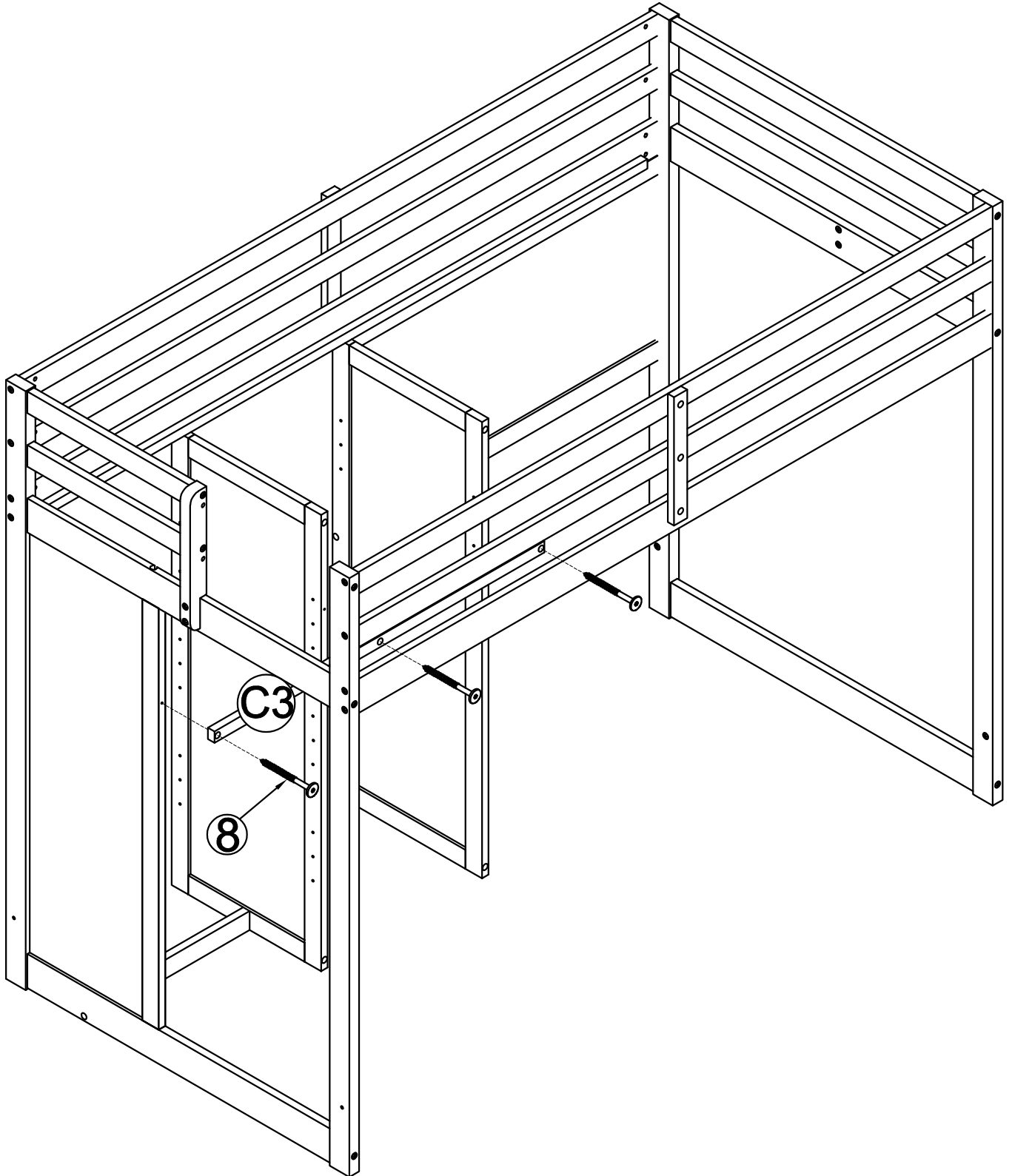
Following below illustration:

- Using hardward #8 to Assembly C3 Wood Bars with Frame(completed on step 8)
- Look at detail view for more detail

8





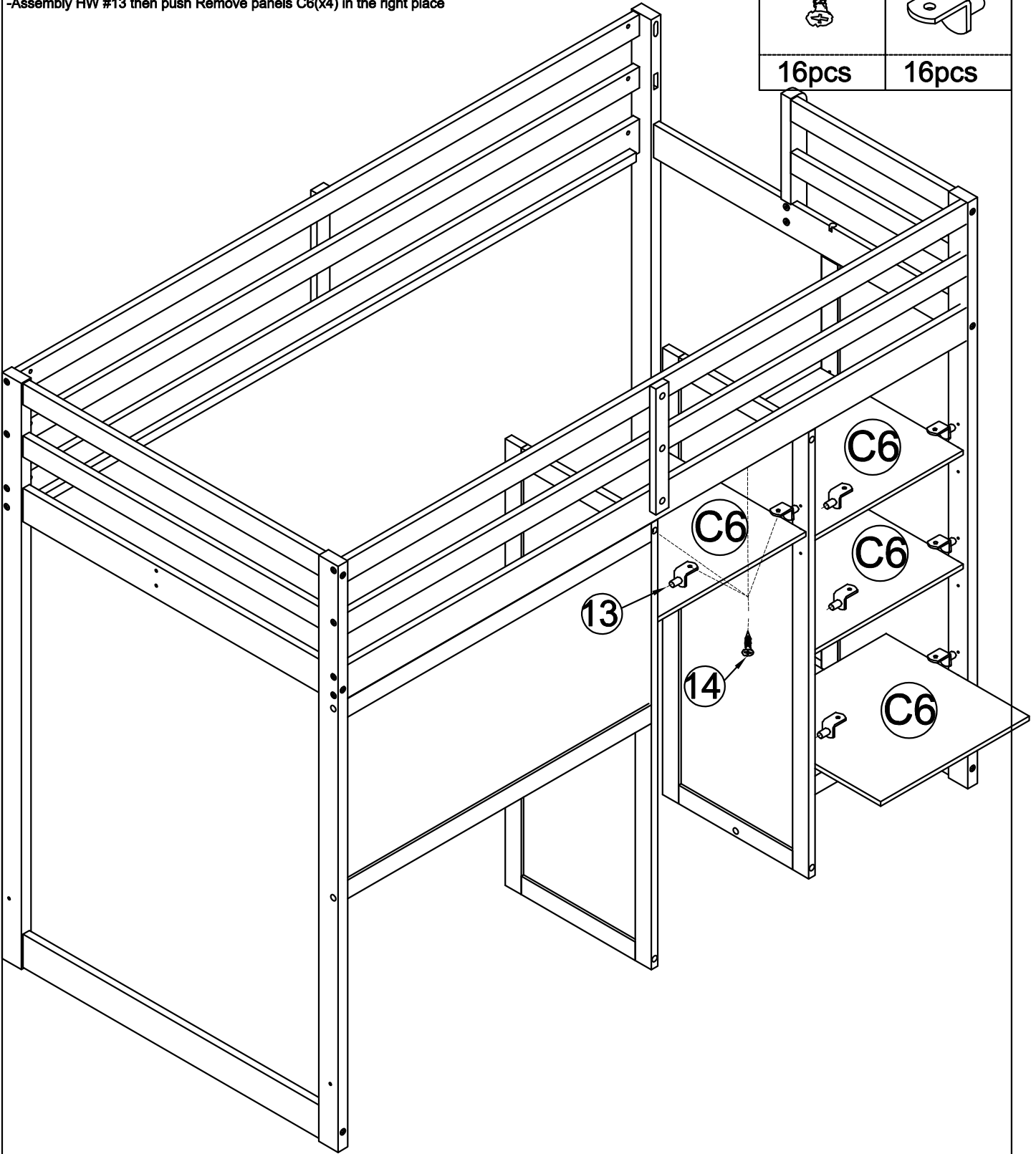
3pcs



STEP 10: Following below illustration:

-Assembly HW #13 then push Remove panels C6(x4) in the right place

14	13
	
16pcs	16pcs



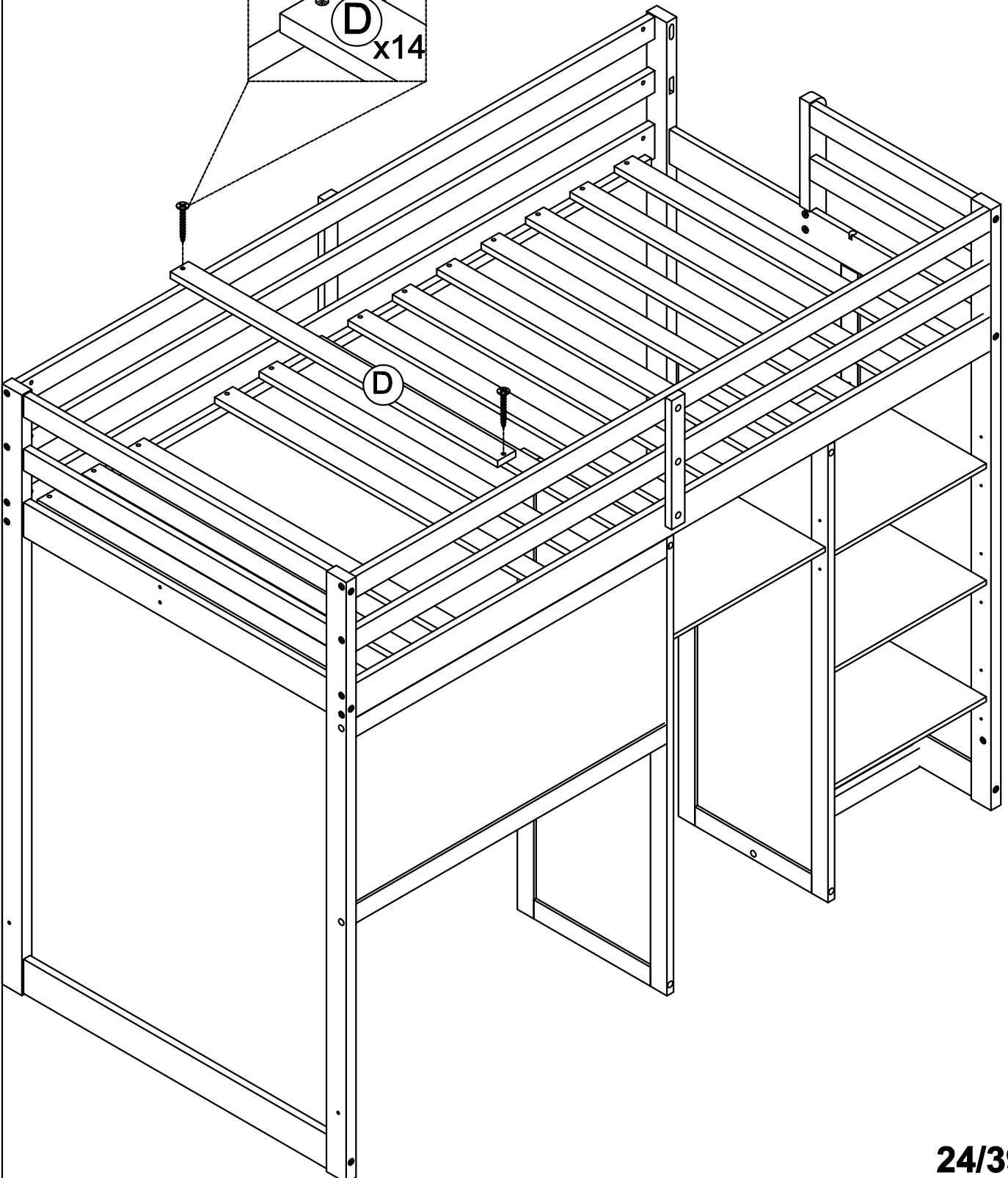
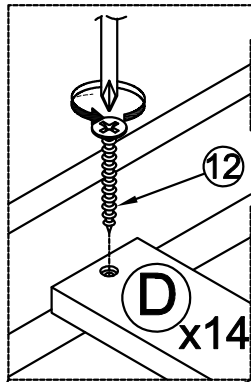
STEP 11: Following below illustration:

- Using hardward #12 to Assembly 14 Slats D with Frame(completed on step 11)
- Look at detail view for more detail

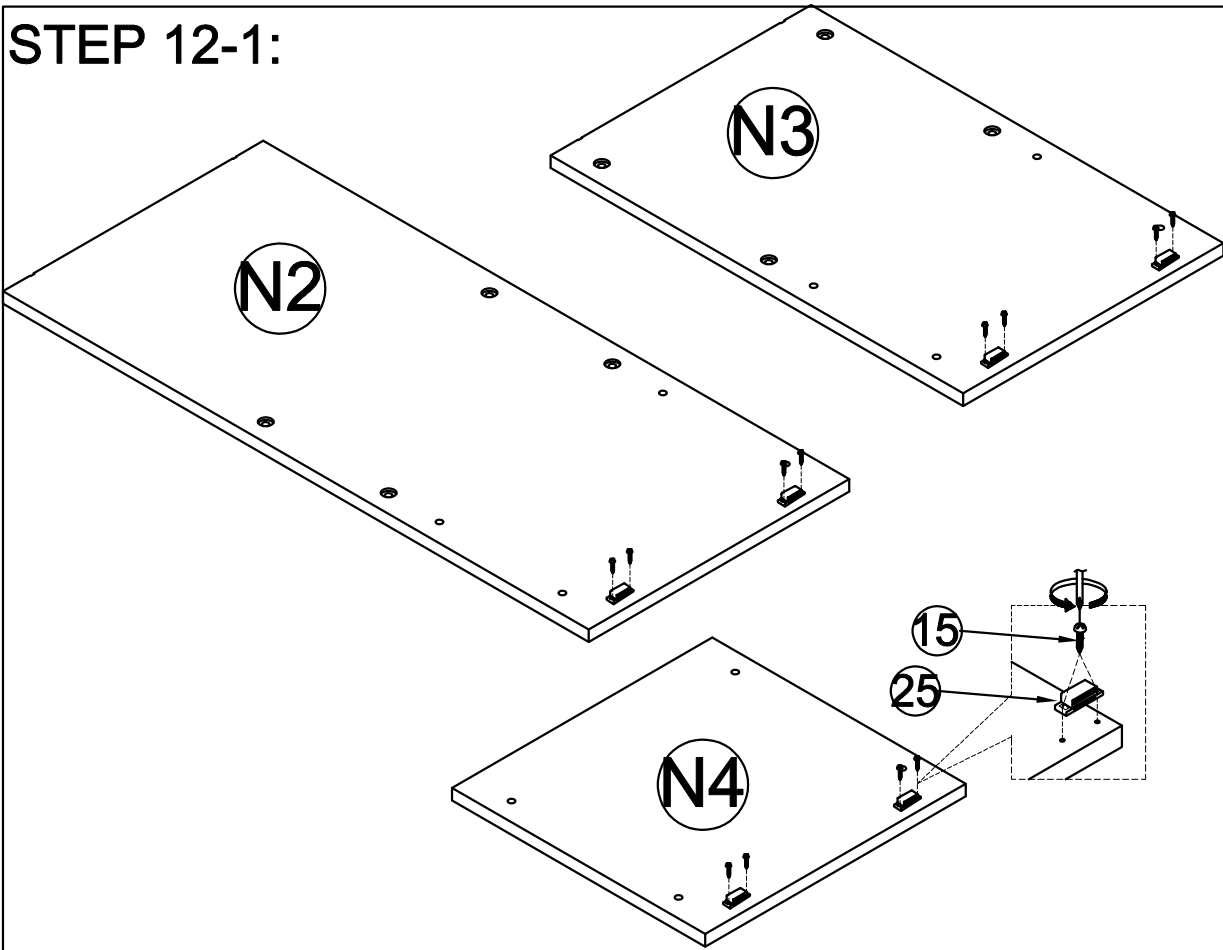
12





28pcs

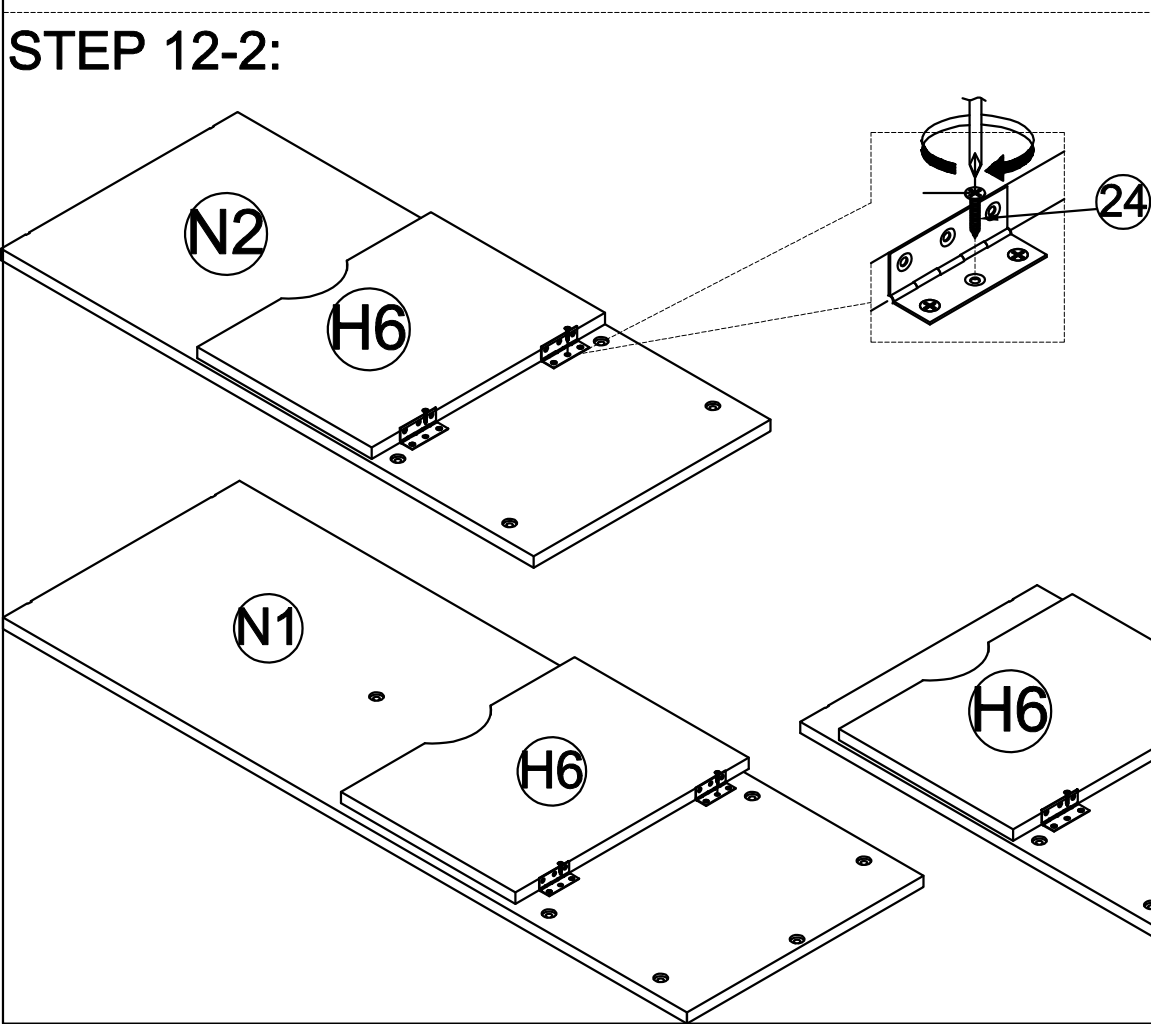



STEP 12-1:



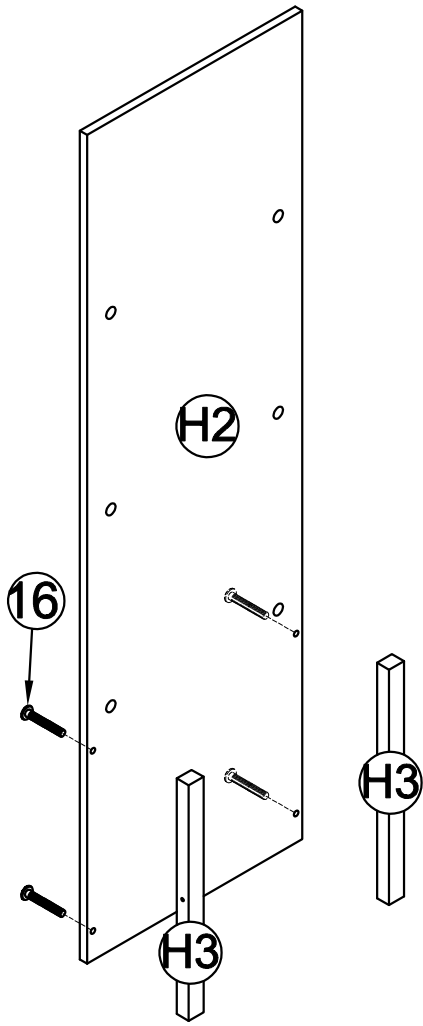
- 25 
- 6pcs
- 15 
- 12pcs

STEP 12-2:



- 24 
- 18pcs

STEP 12-3:

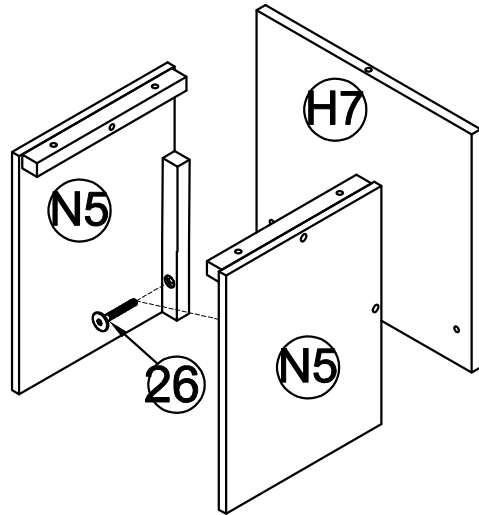


16



4pcs

STEP 12-4:

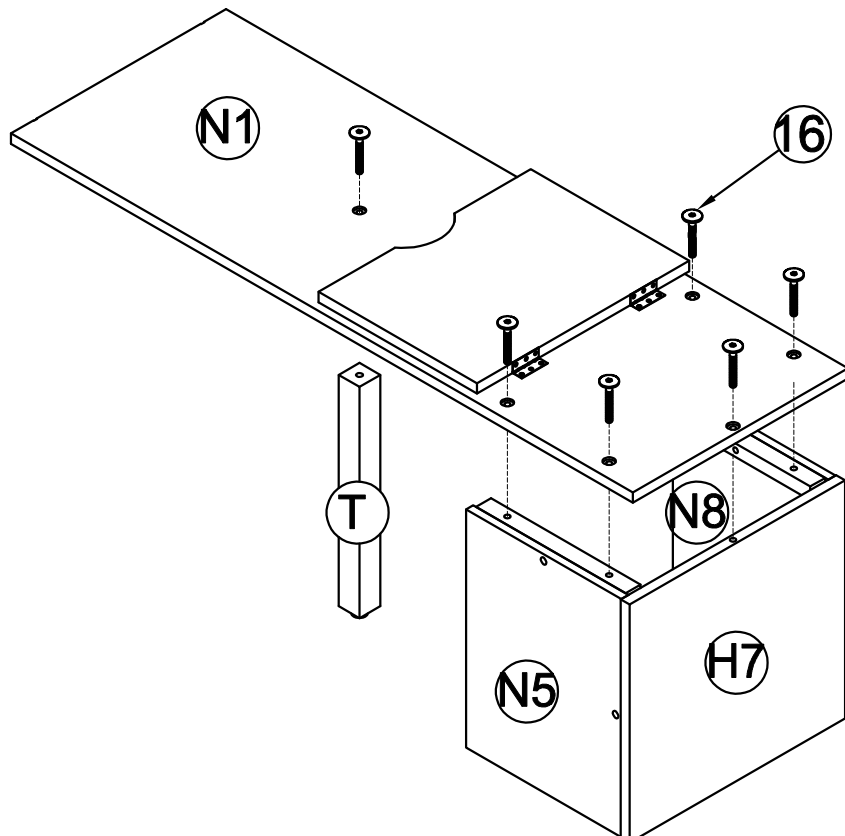


26



2pcs

STEP 12-5:

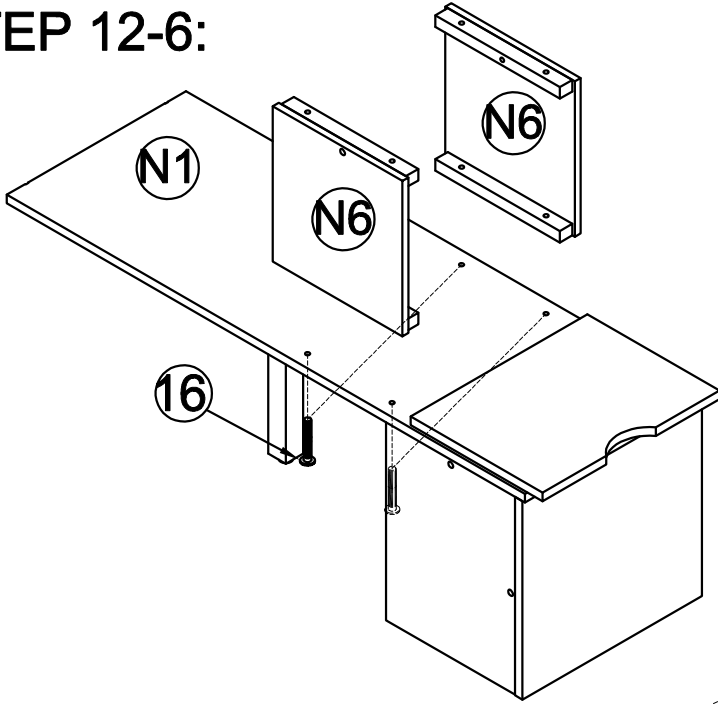



16



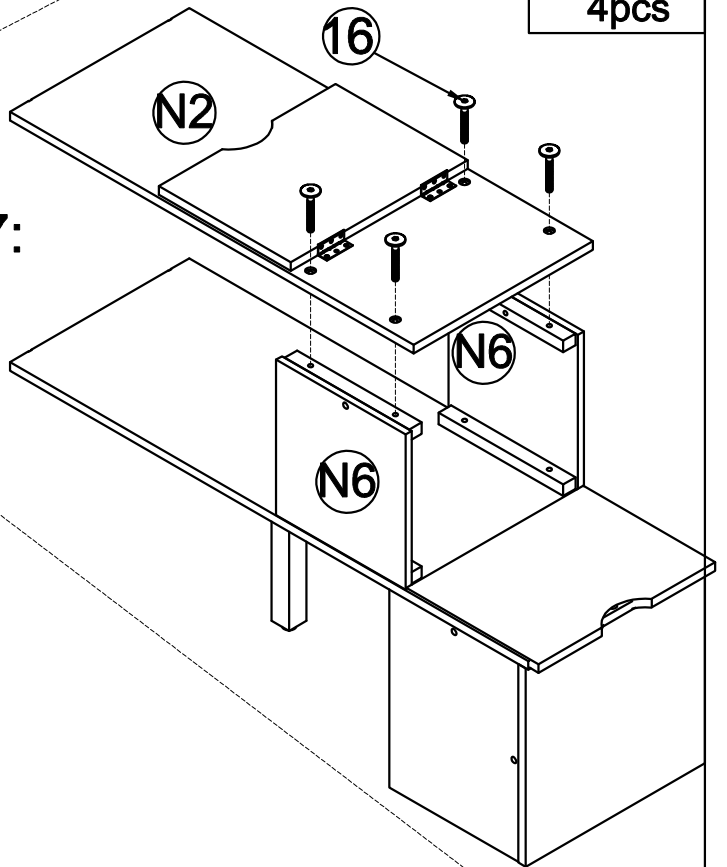
6pcs


STEP 12-6:



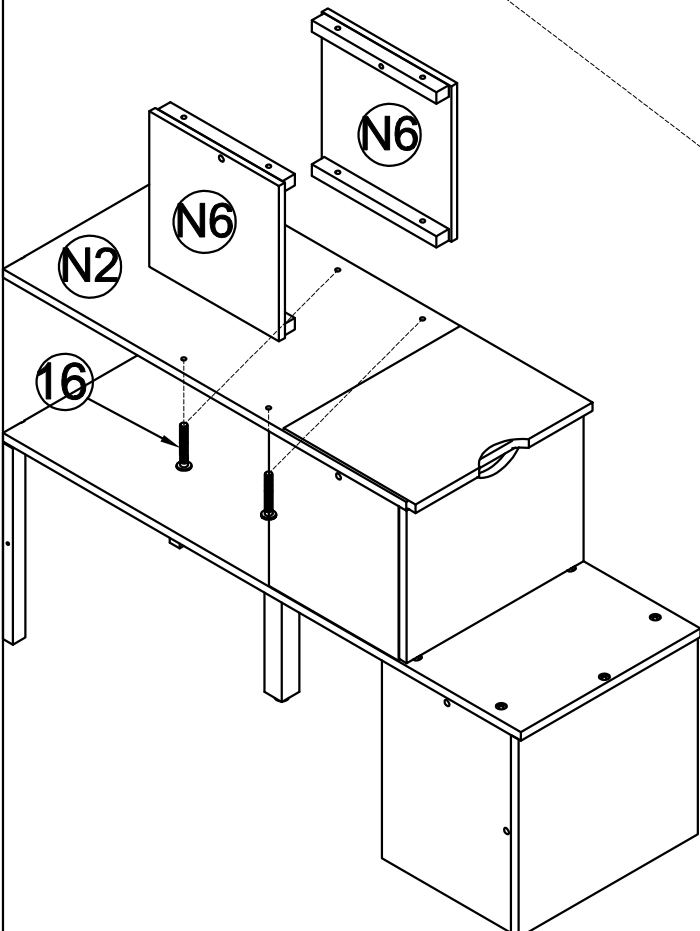
16

4pcs


STEP 12-7:



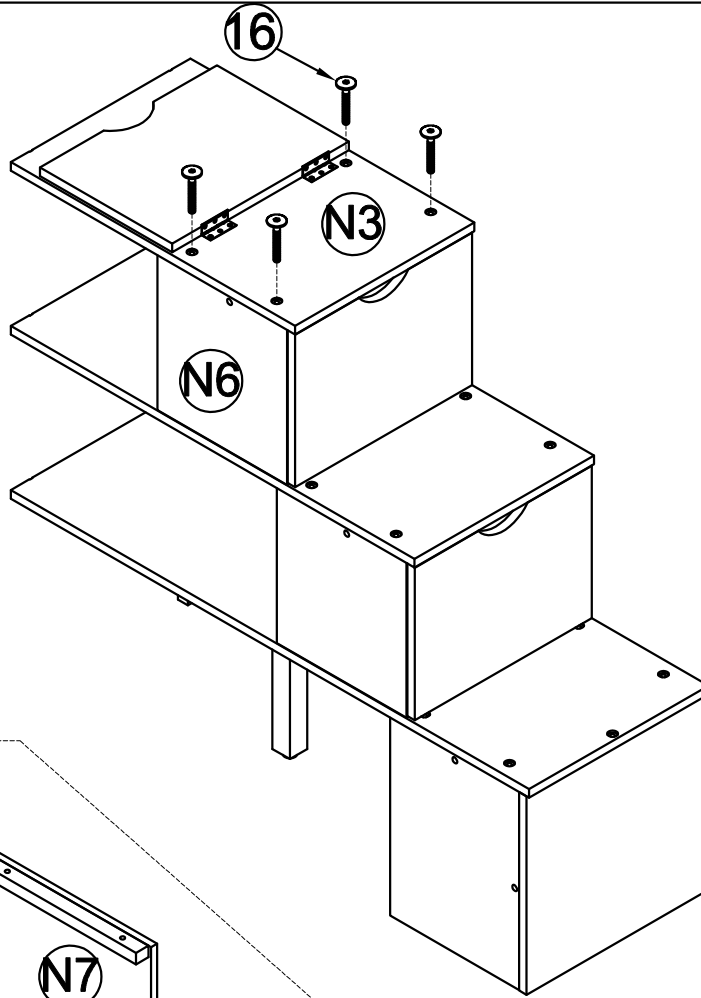
16

4pcs


STEP 12-8:

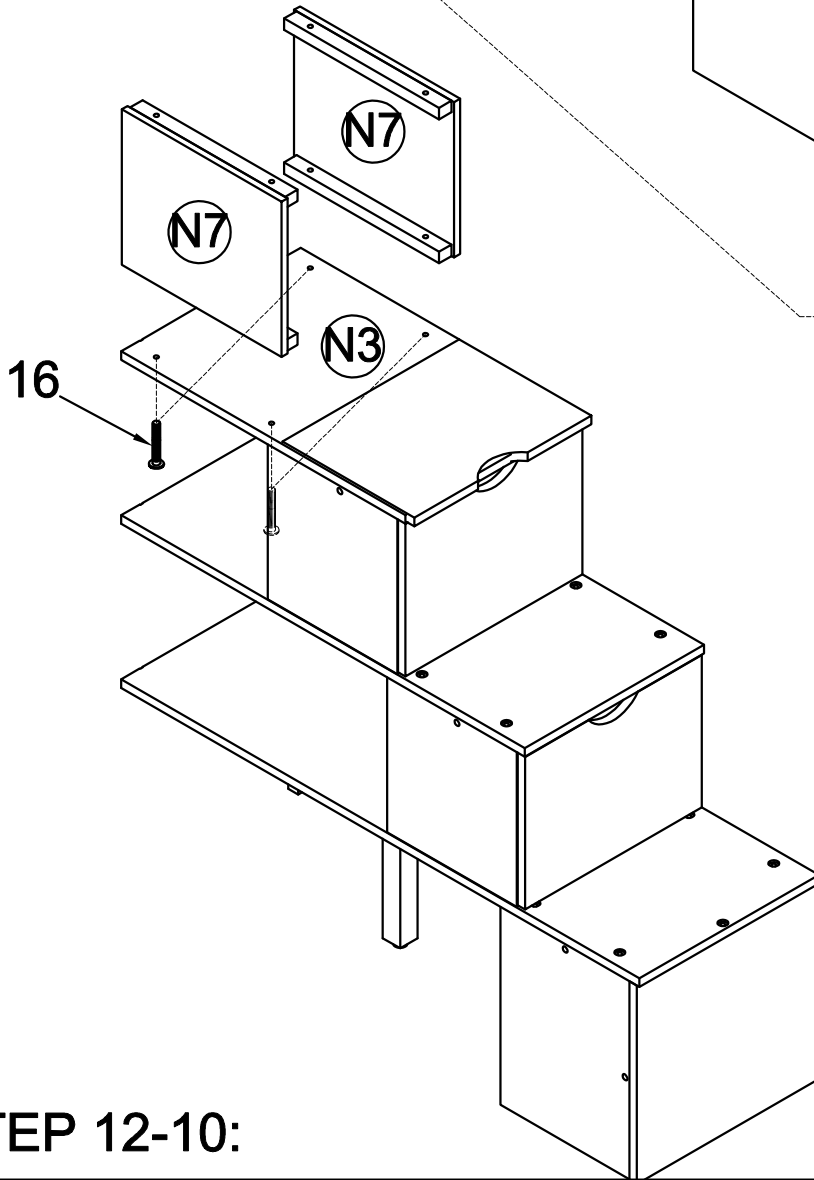



16

4pcs

STEP 12-9:



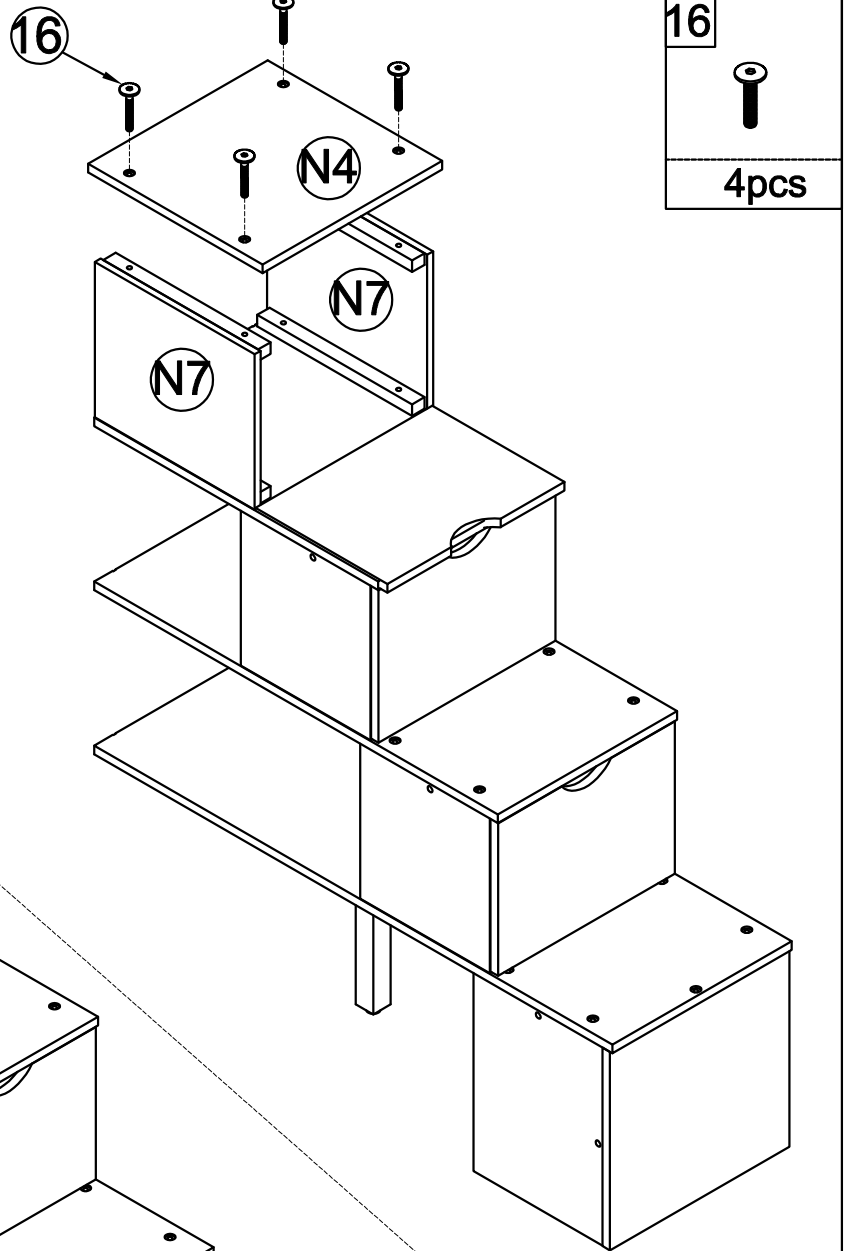
16

4pcs



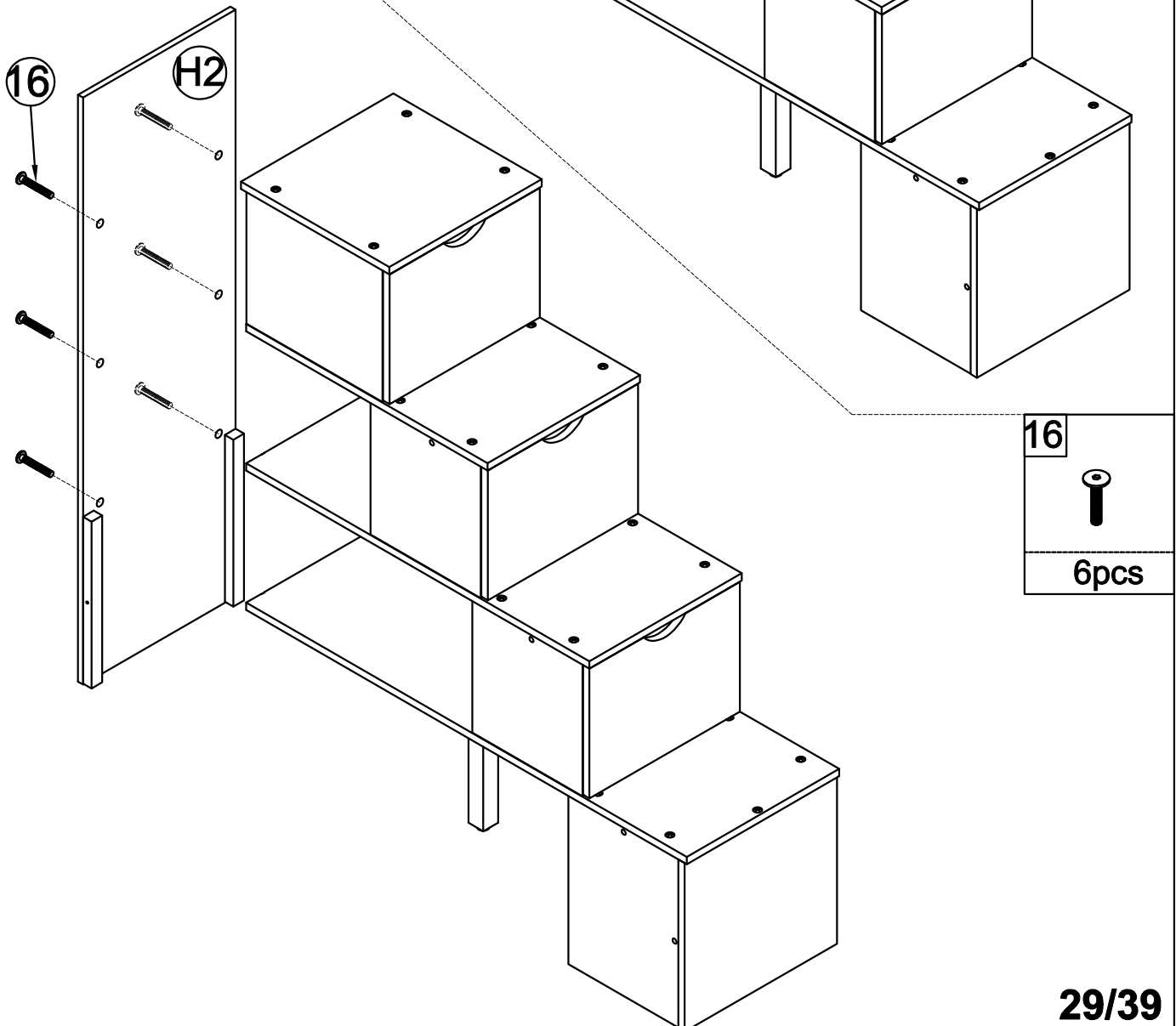
16

4pcs

STEP 12-10:

STEP 12-11:

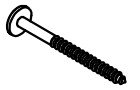


STEP 12-12:

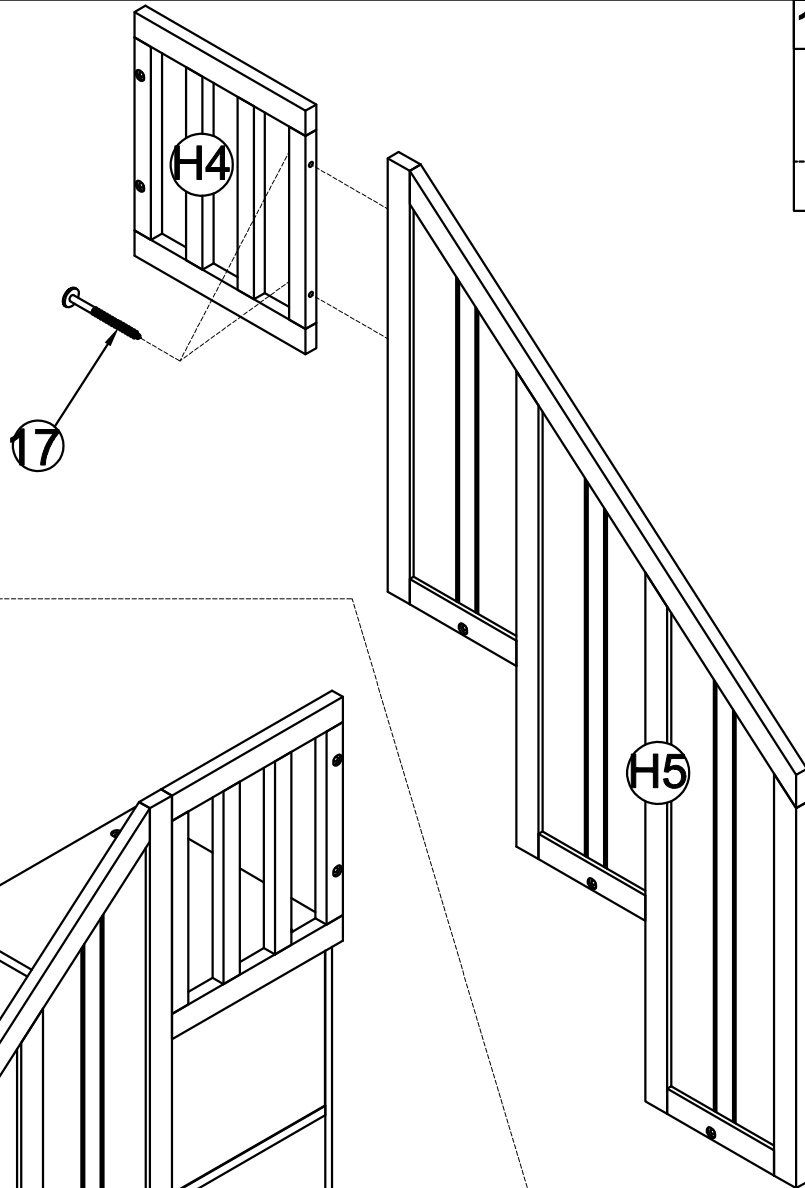


STEP 12-13:

17



2pcs

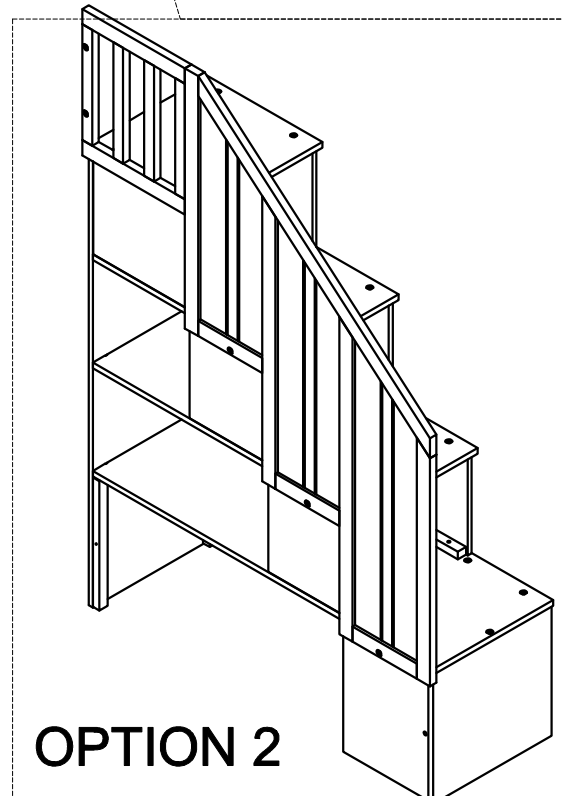
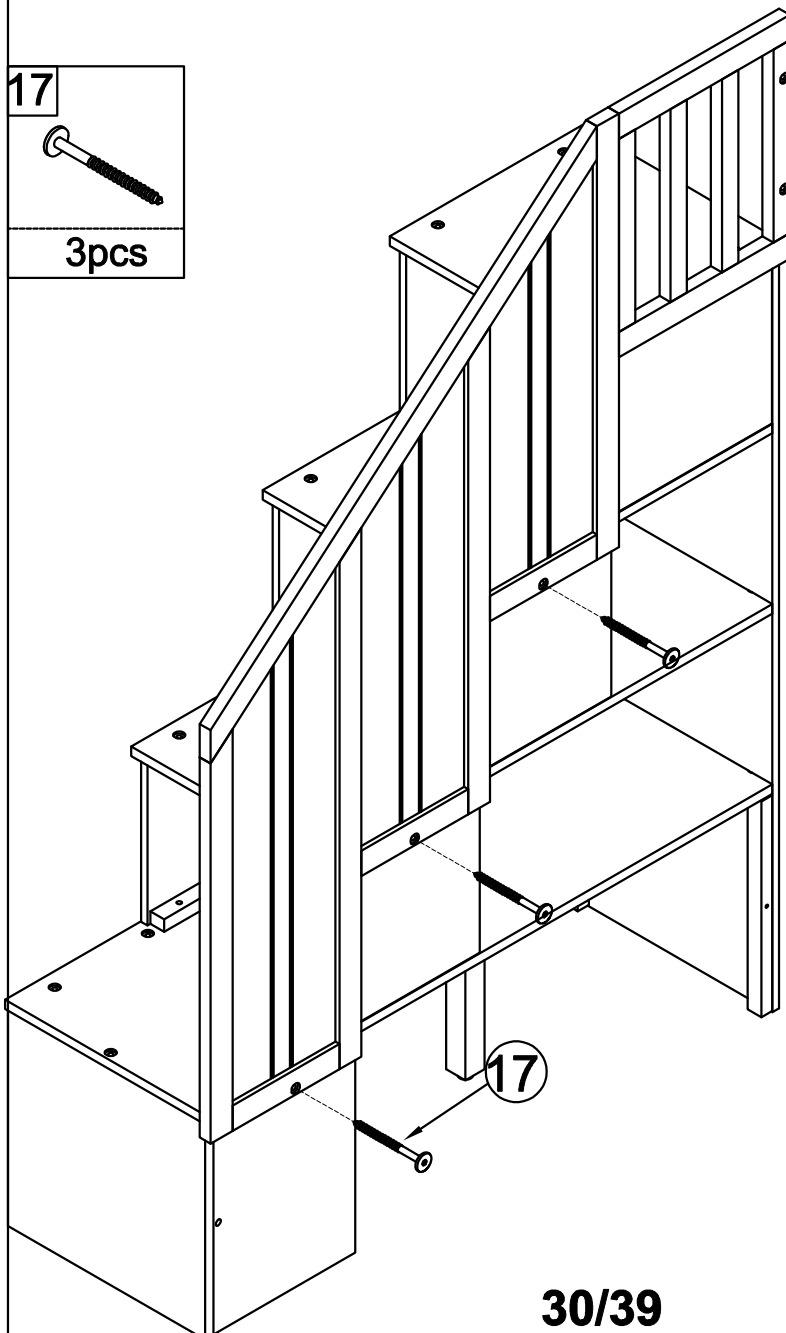


STEP 12-14:

17

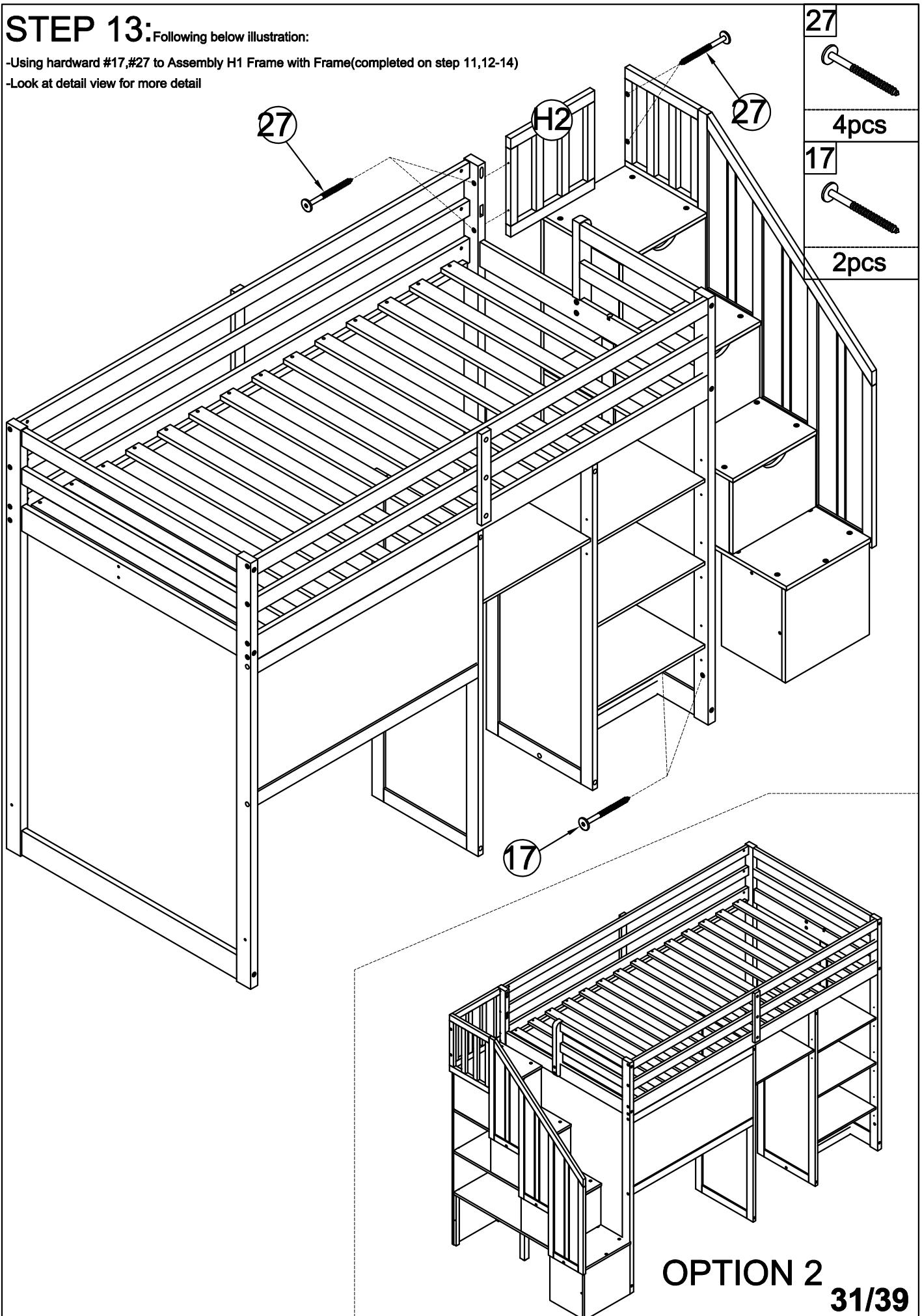


3pcs



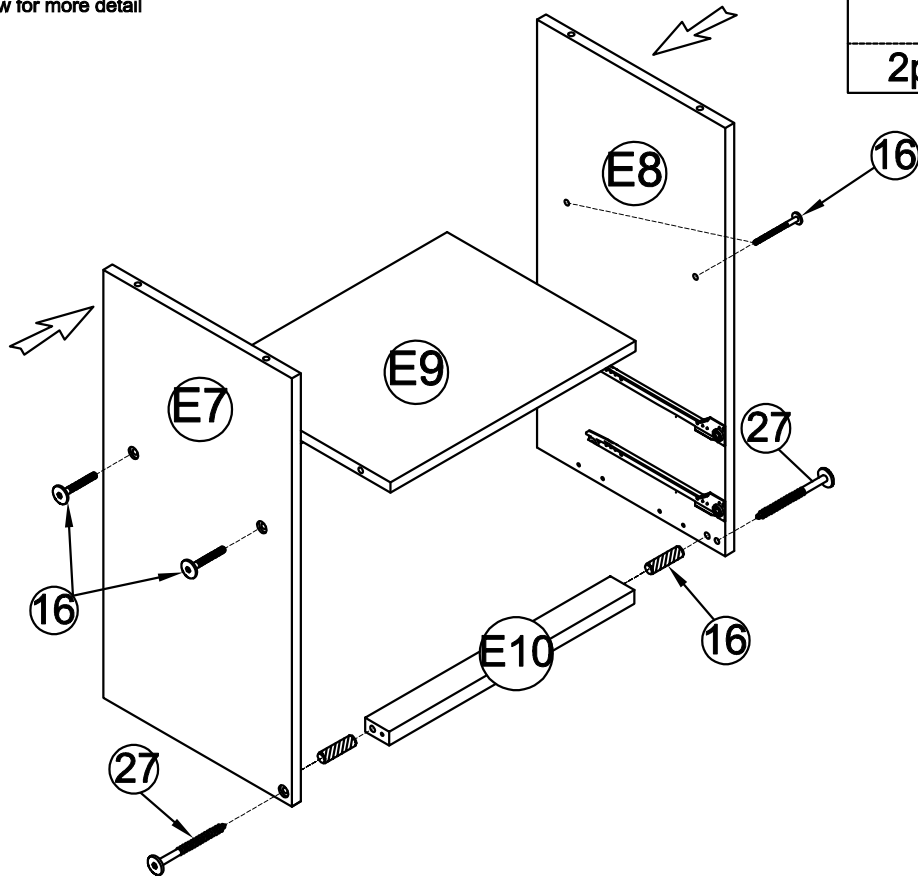
STEP 13: Following below illustration:


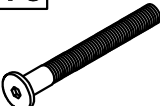

- Using hardware #17, #27 to Assembly H1 Frame with Frame (completed on step 11, 12-14)
- Look at detail view for more detail



STEP 14: ASSEMBLY DESK

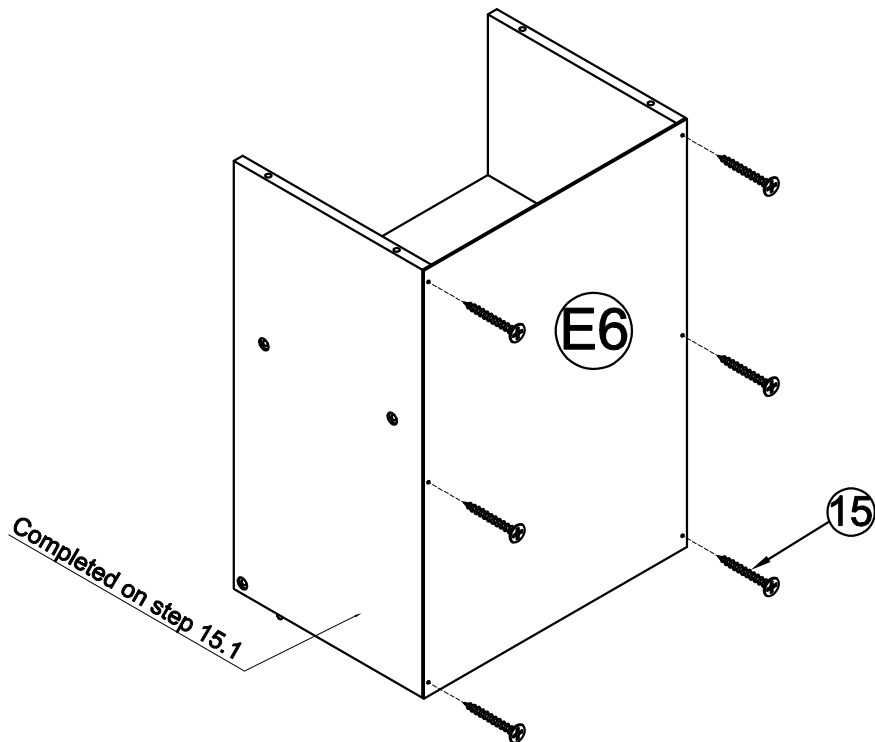
14.1: Using hardware #27, #16 and Dowel 11 Assembly Side panels E7, E8 with panel E9 and E10 Wood bar
Look at detail view for more detail

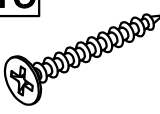


11		16	
2pcs		4pcs	
		27	
		2pcs	

STEP 14: ASSEMBLY DESK

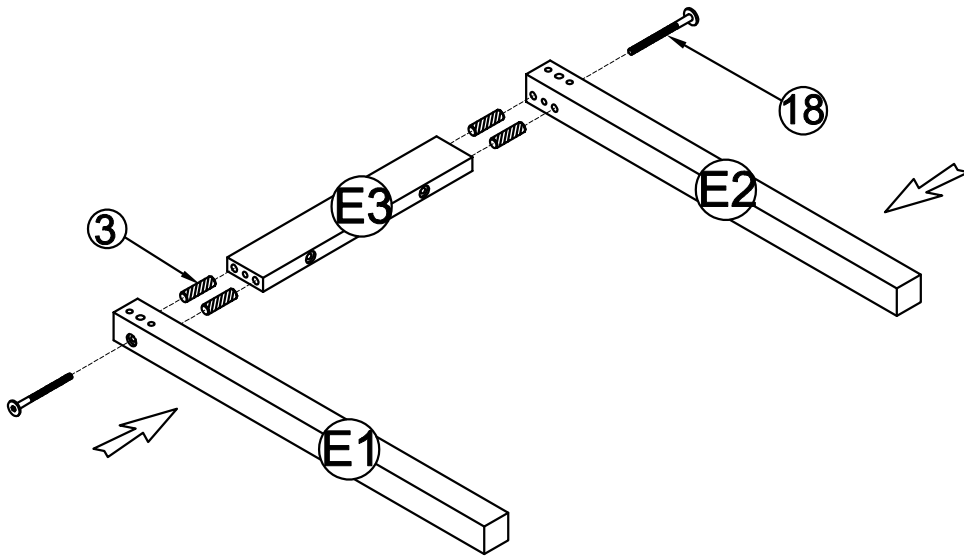
14.2: Using hardware #15 Assembly Back panel E6 with Frame (completed on step 14.1)
Look at detail view for more detail



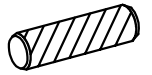
15	
6 pcs	

STEP 14: ASSEMBLY DESK

14.3: Using hardware #18 and dowel 3 Assembly E1,E2 legs with E3 Wood Bar
Look at detail view for more detail

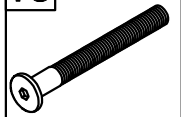


3



4pcs

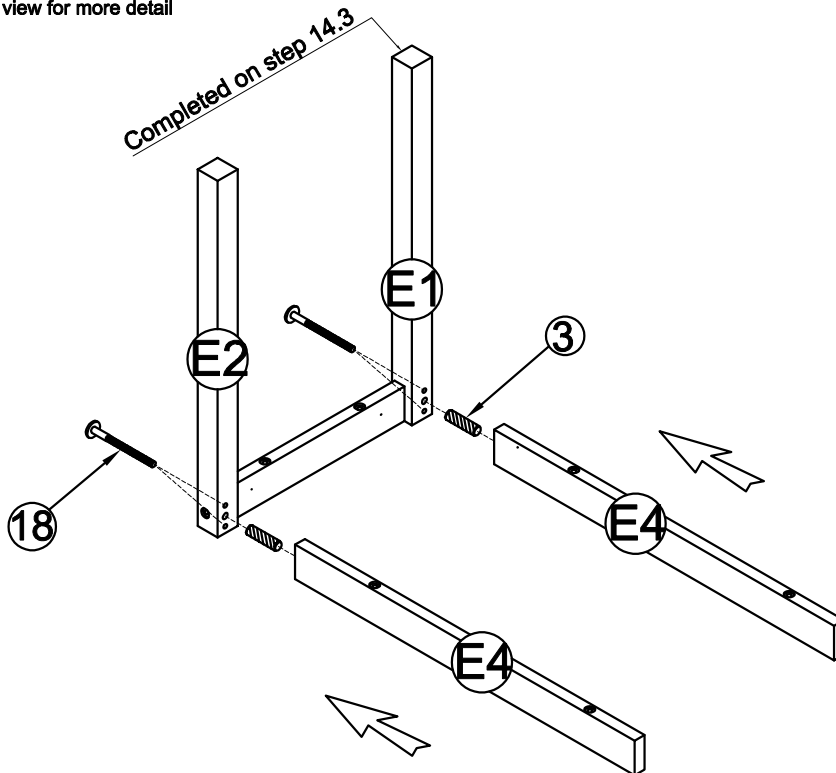
18



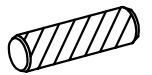
2pcs

STEP 14: ASSEMBLY DESK

14.4: Using hardware #18 and dowel 3 Assembly Frame(completed on step 14.3)with E4(x2) Wood Bars
Look at detail view for more detail

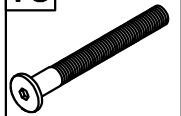


3



2pcs

18

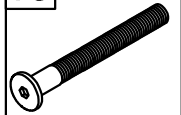


4pcs

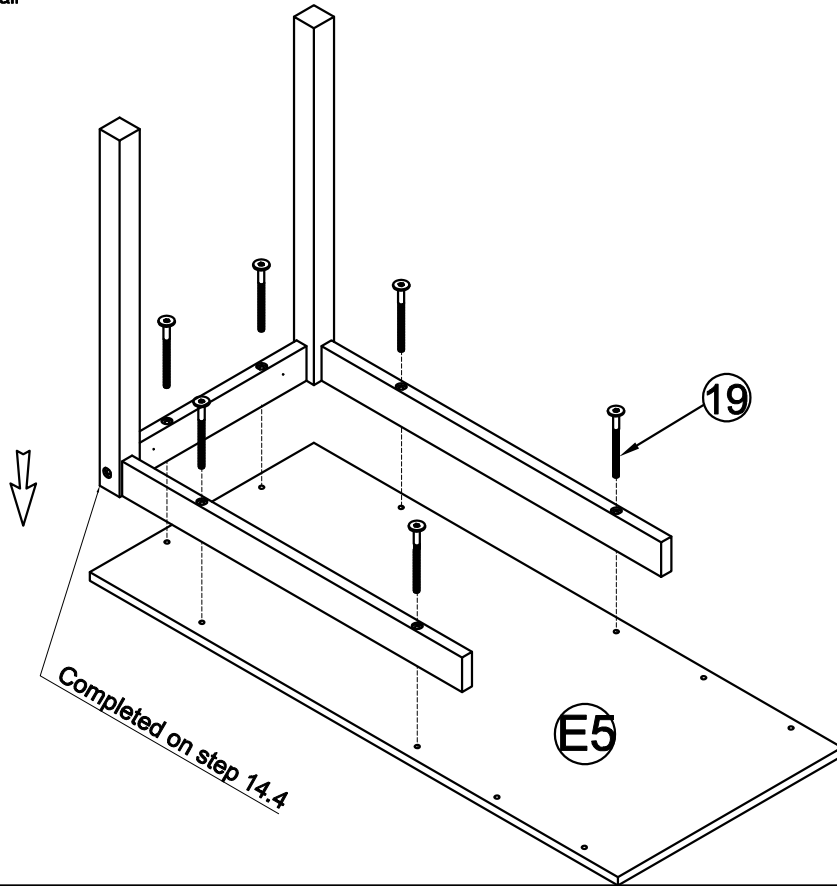
STEP 14: ASSEMBLY DESK

14.5: Using hardware #19 Assembly Frame (completed on step 14.4) with Top panel E5
Look at detail view for more detail

19



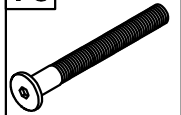
6pcs



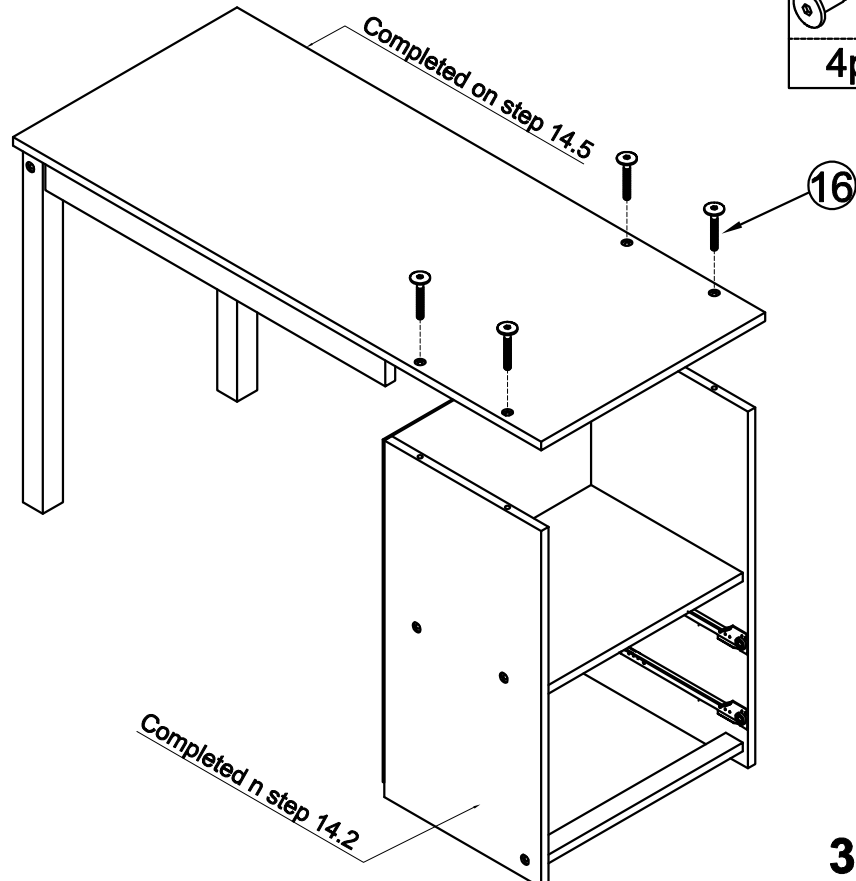
STEP 14: ASSEMBLY DESK

14.6: Using hardware #16 Assembly Frame (completed on step 14.5) with Frame (completed on step 14.2)
Look at detail view for more detail

16



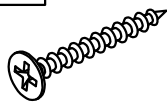

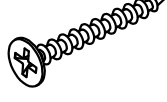

4pcs

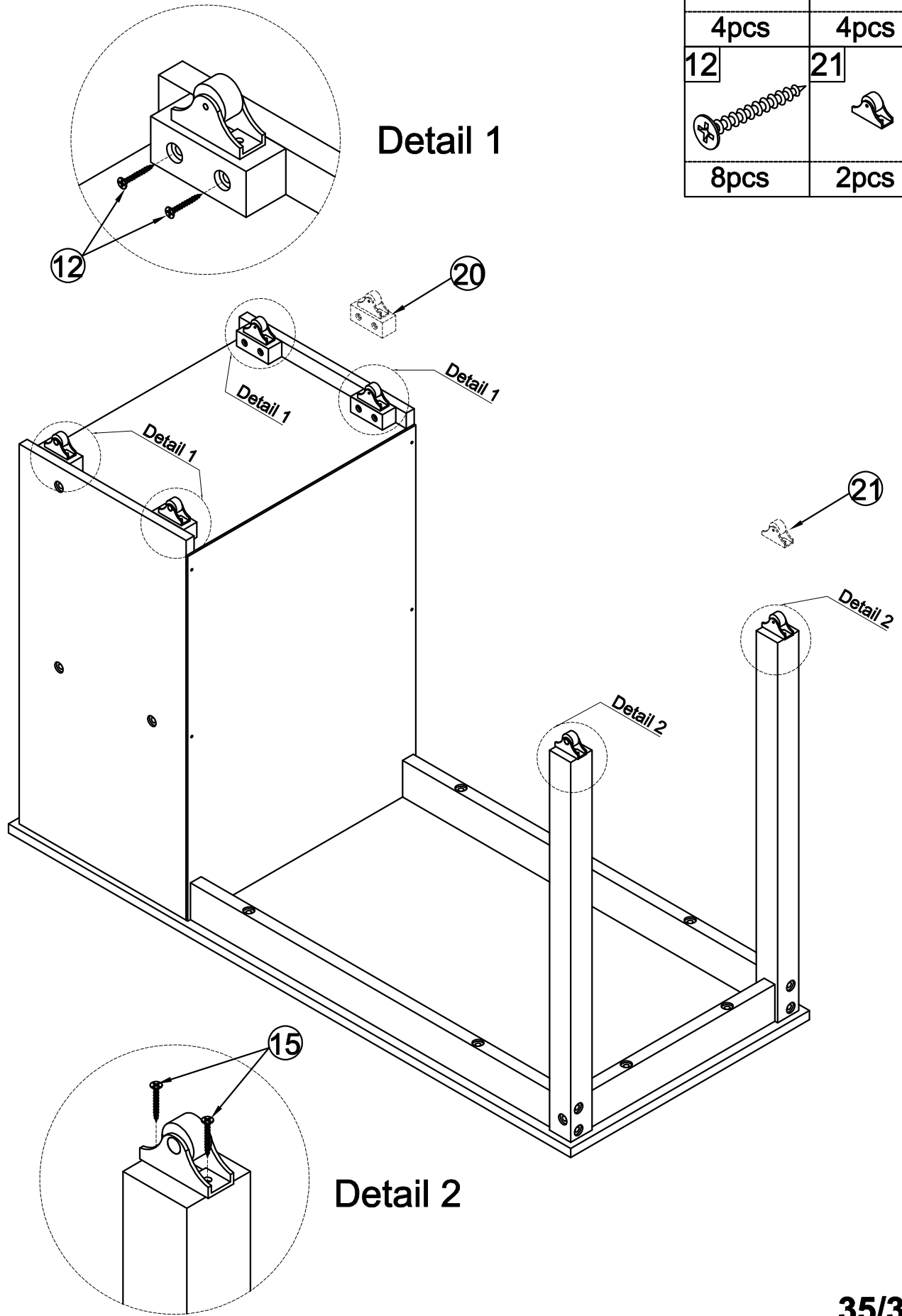


STEP 14: ASSEMBLY DESK



14.7: Using hardware #12, #15 Assembly Wheels #20, #21 with DESK

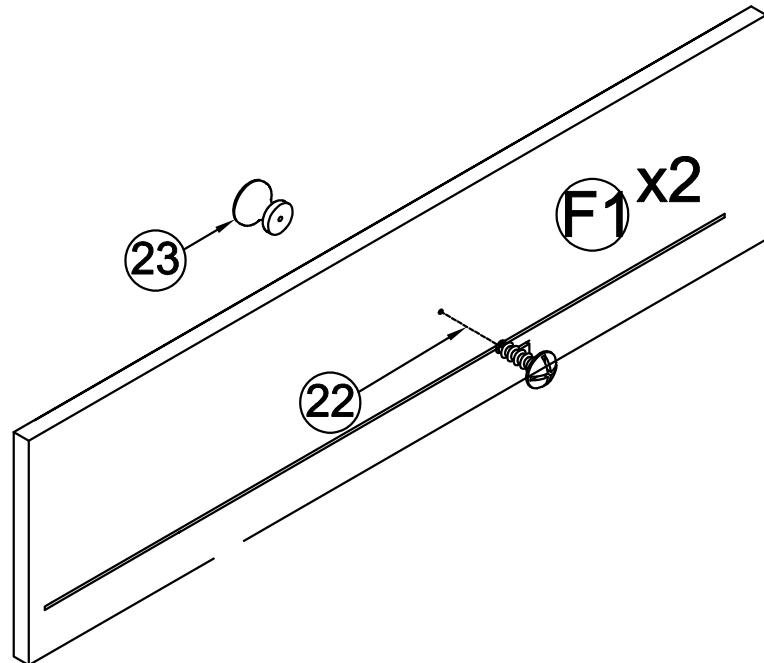
Look at detail view for more detail

15	20
	
4pcs	4pcs
12	21
	
8pcs	2pcs

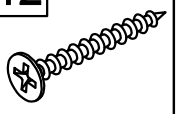


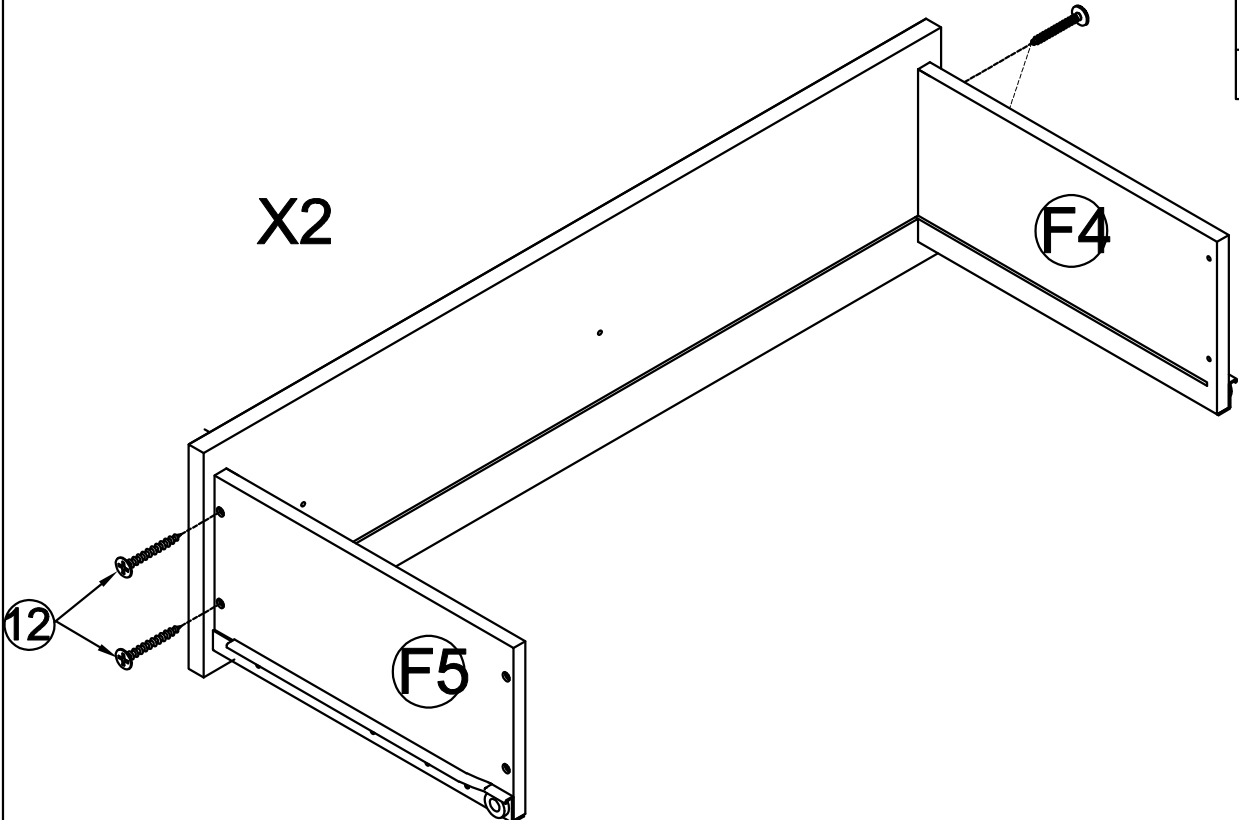
STEP 15-1:ASSEMBLY DRAWER

23	22
	
2pcs	2pcs



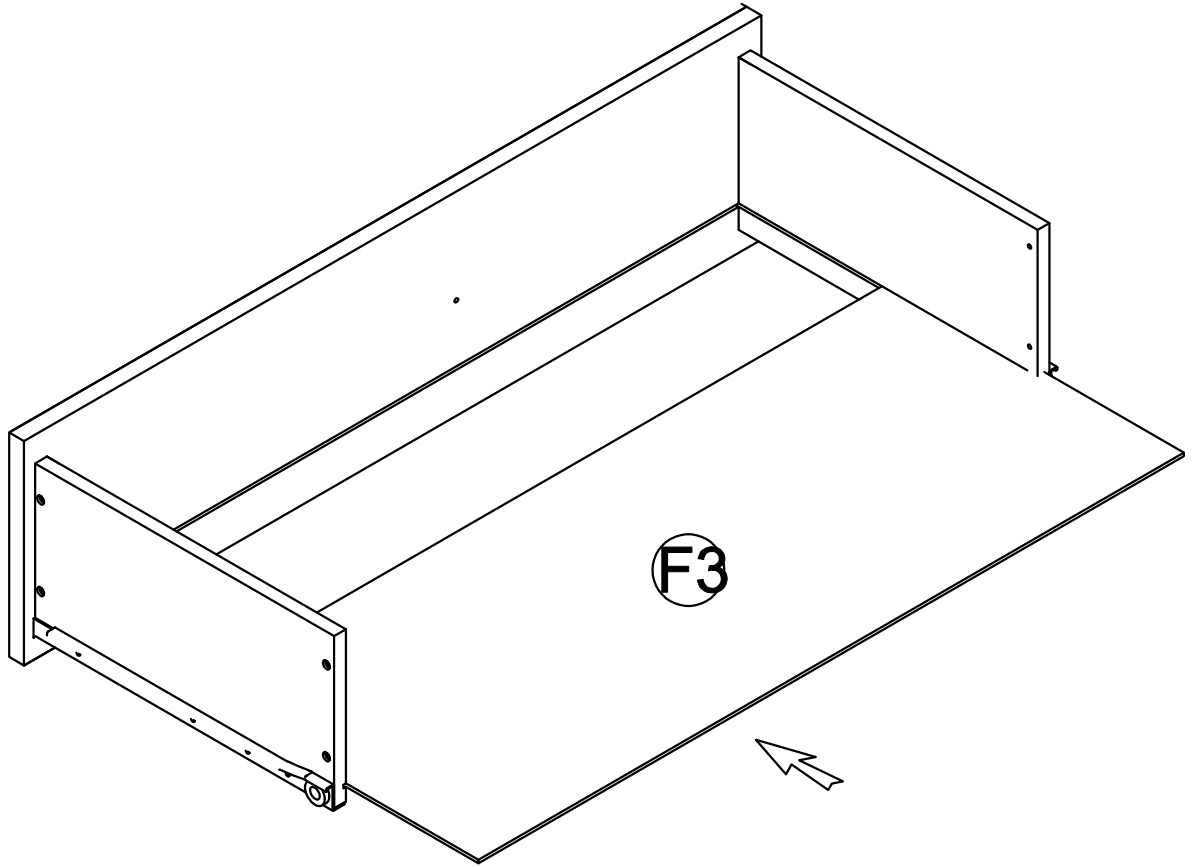
STEP 15-2:ASSEMBLY DRAWER

12

4x2pcs



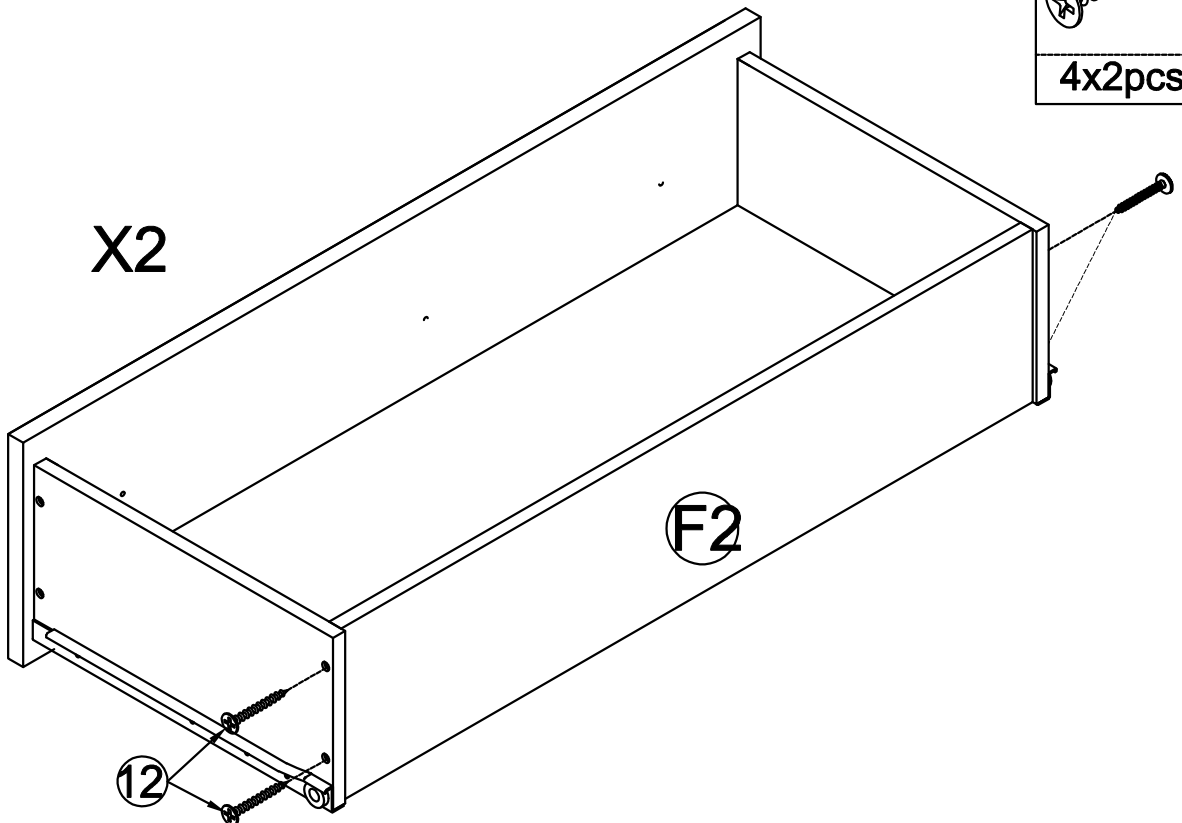
STEP 15-3:ASSEMBLY DRAWER

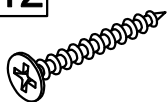
X2



STEP 15-4:ASSEMBLY DRAWER

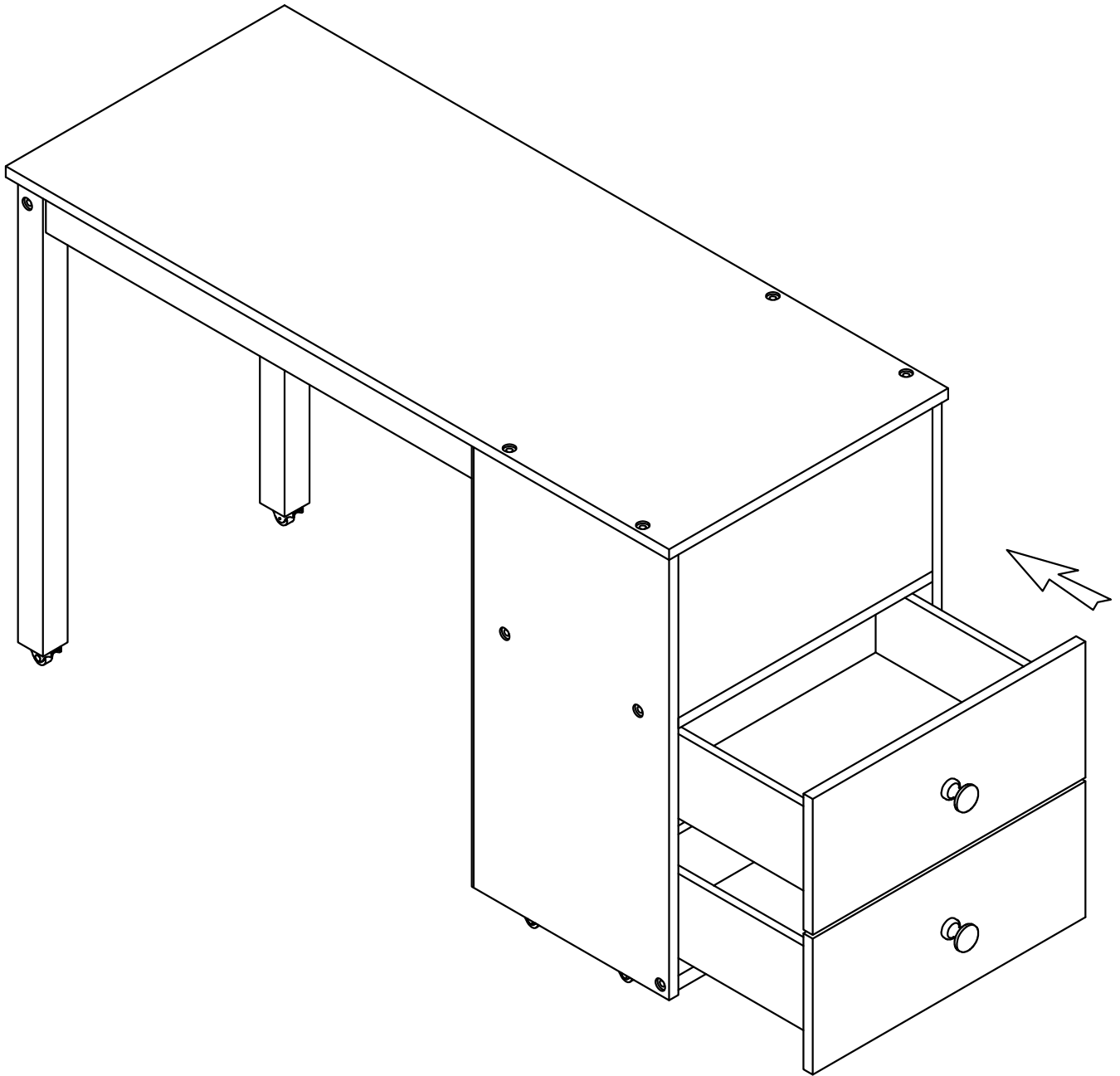
X2



12

4x2pcs

STEP 16:

Push 2 drawer into it position



STEP 17: CONGRARULATION. YOU HAVE COMPLETED THE BED.

Push DESK into it position

