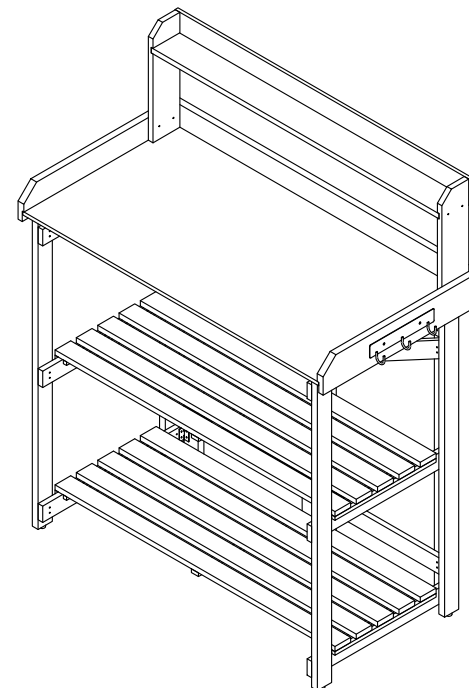


ASSEMBLY INSTRUCTIONS  
PLEASE RETAIN THESE INSTRUCTIONS FOR FUTURE USE



TIME ASSEMBLE : 20-40 minutes



NUMBER OF PERSON: 2

Greeting!  
So here I am

## *your new friend*

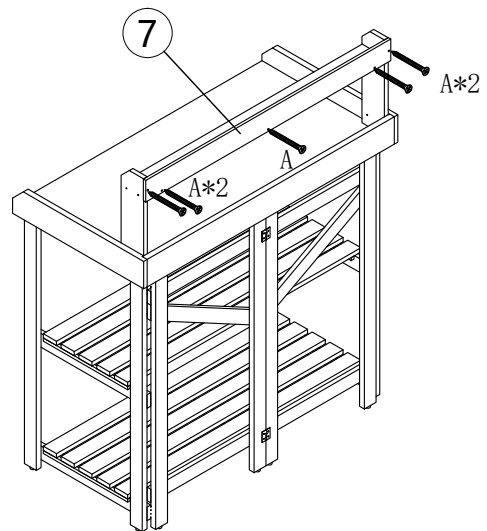
- ▶ Thanks for letting me be your friend(s).
- ▶ Just remember to take care of me too, so I can last a long time.
- ▶ When you first get me, you might smell a funny smell. Don't worry it's not dangerous.
- ▶ Just let me air out for a few days and the smell will go away
- ▶ Be careful when you're putting me together because some of my parts can be sharp or heavy.
- ▶ Make sure to start by loosely putting in screws, and then tighten them all before using me.
- ▶ If you notice anything broken or missing, stop using me until it's fixed. and please follow the instructions from the maker so your warranty stays good.
- ▶ You can use me both inside and outside, but if you put me outside, make sure to give me an extra cover to keep me from getting moldy
- ▶ I like to be on a level surface so my doors work smoothly
- ▶ Keep me away from fire and dangerous chemicals.
- ▶ Clean me with a damp, soapy sponge without corrosive agents.
- ▶ Dry me with a soft, clean, dry cloth.
- ▶ Do not use a high pressure cleaner on me.
- ▶ Do not use bleach, acids, solvents, or abrasive cleaners on me.
- ▶ Check that all my bolts, screws, and knobs are tight every 90 days.



## **HELP CENTER**

- ▶ Your full satisfaction is our **FIRST** priority
- ▶ We hope you enjoy it and have a good shopping experience.
- ▶ We are committed to resolve any situation when it does not meet your expectations.
- ▶ Please feel free to contact us through order detail page, we will get back to you and solve them within 24 hours.

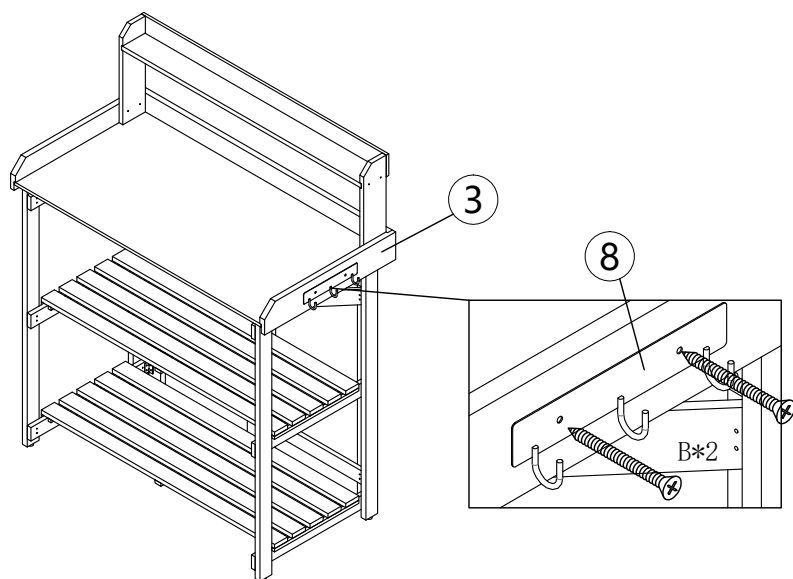
A M3.0\*28 5PCS



Fix ⑦ Backrest of small shelf with screws.

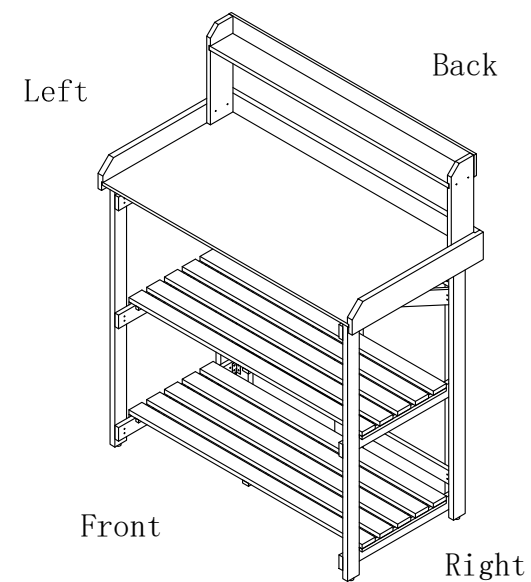
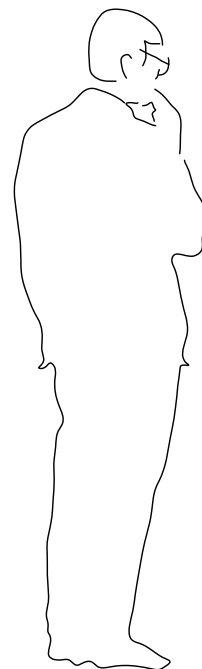
STEP 7

B M3.0\*16 2PCS



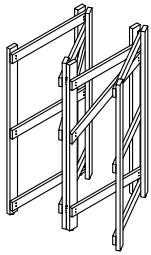
Fix ⑧ Hook on ③ Work table with screws.

STEP 8

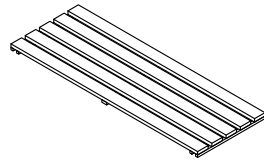


# ASSEMBLY INSTRUCTION

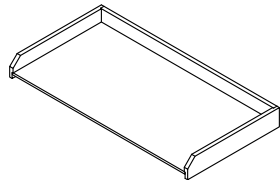
Tool Required:  Electric Drill  Phillips Screwdriver



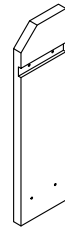
① Foldable supporter



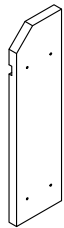
② \*2 Layer panel



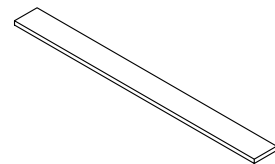
③ Work table



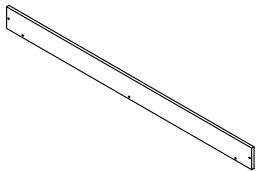
④ Left supporter



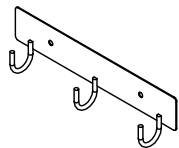
⑤ Right supporter



⑥ Small shelf

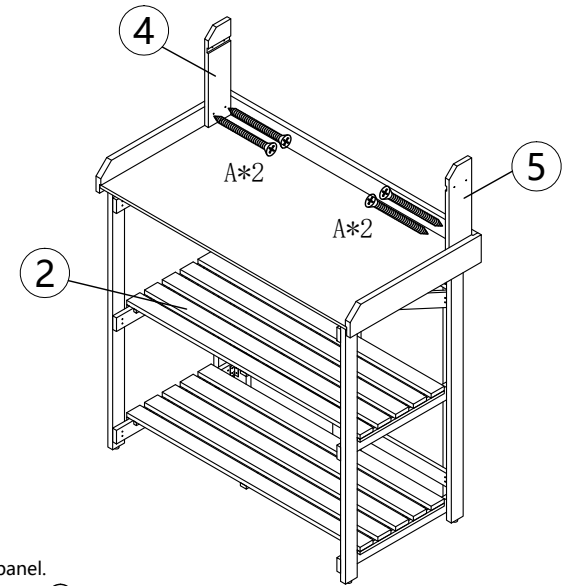


⑦ Backrest of small shelf



⑧ Hook

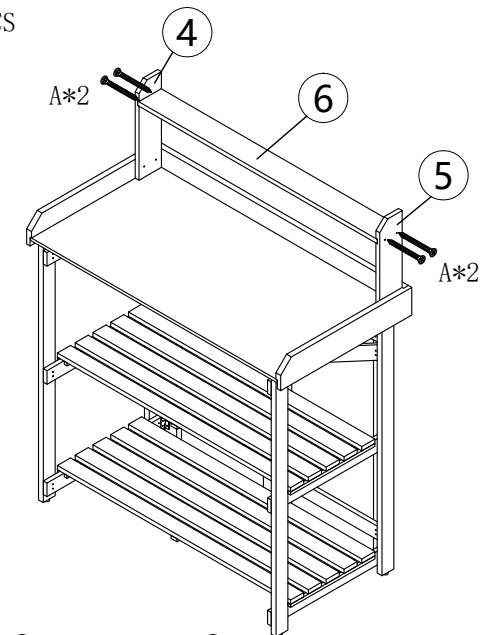
A M3.0\*28 4PCS



Put in ② Layer panel.  
Fix ④ Left supporter, ⑤ Right supporter with screws.

STEP 5

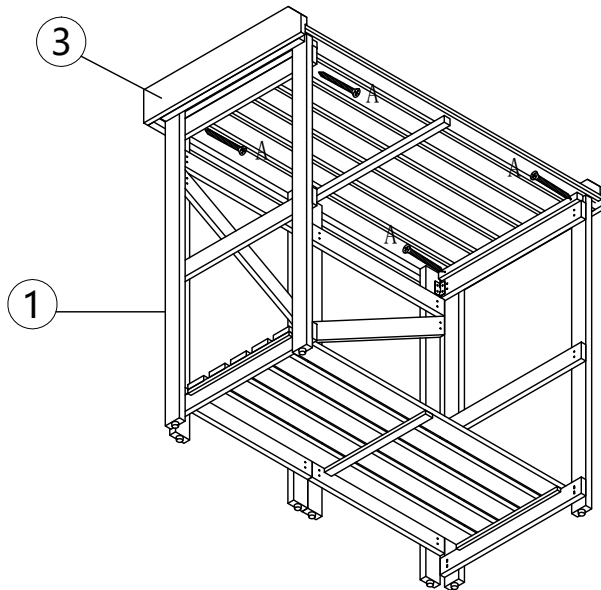
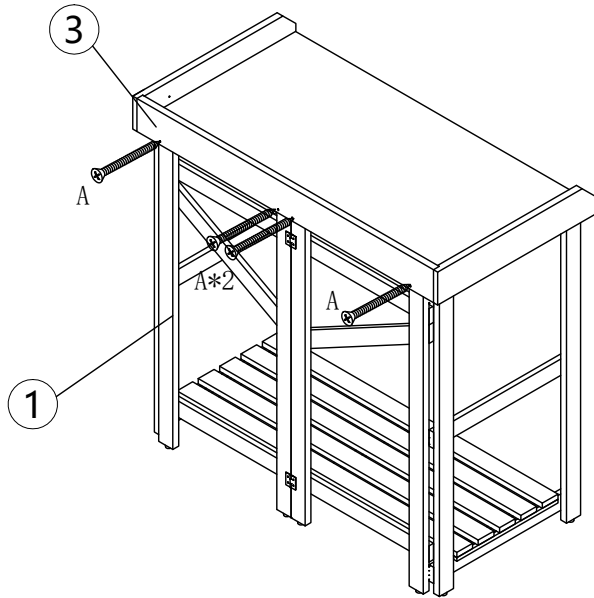
A M3.0\*28 4PCS



Fix ⑥ Small shelf on ④ Left supporter and ⑤ Right supporter with screws.

STEP 6

A M3.0\*28 8PCS





Fix ③ Work table on ① Foldable supporter with screws.

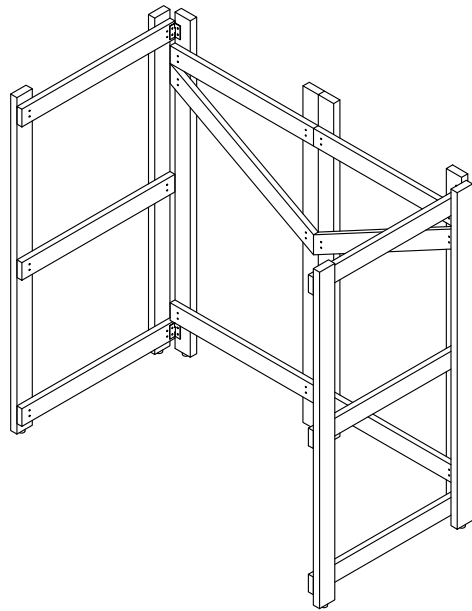
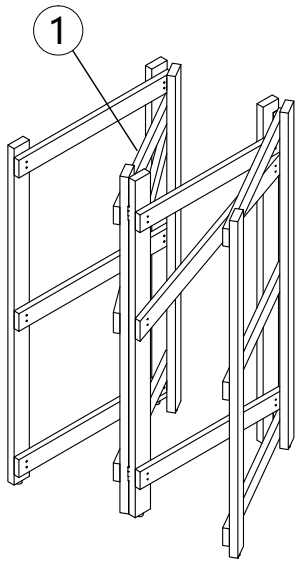
STEP 4

## ASSEMBLY INSTRUCTION

Tool Required:  Electric Drill  Phillips Screwdriver

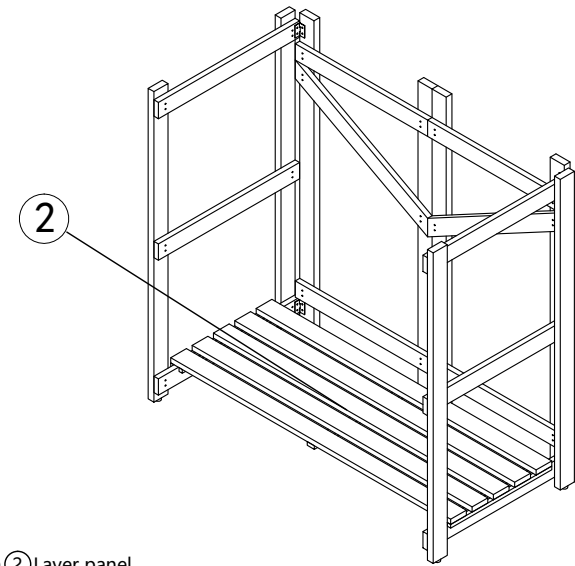
### Parts Description

	A M3.0*28	21PCS+1
	B M3.0*16	2PCS+1



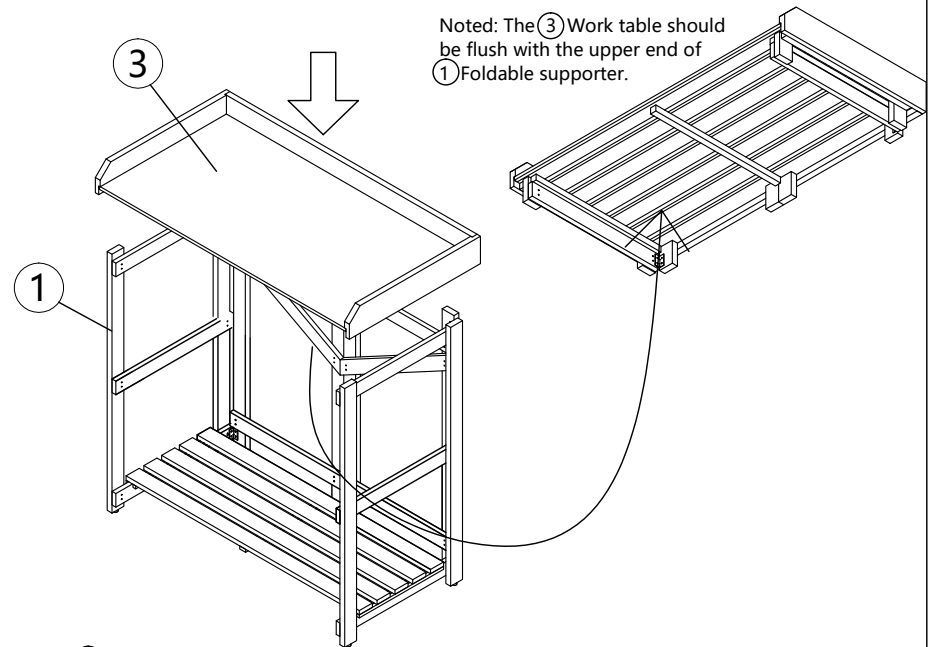
Unfold ① Foldable supporter.

STEP 1



Put in ② Layer panel.

STEP 2



Noted: The ③ Work table should be flush with the upper end of ① Foldable supporter.

Put in ③ Work table.

STEP 3