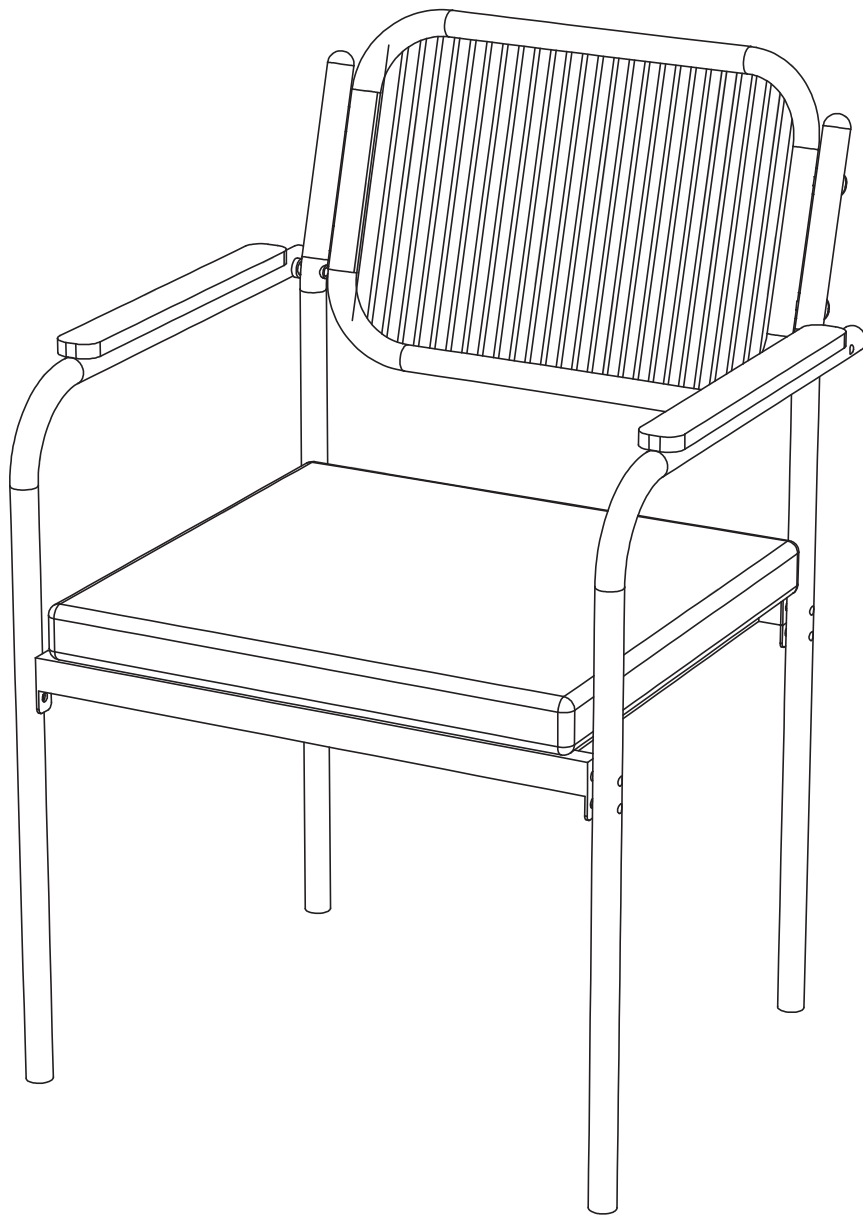


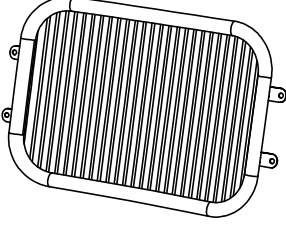
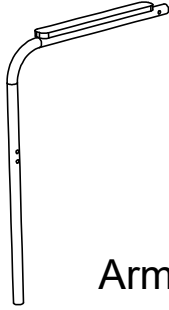
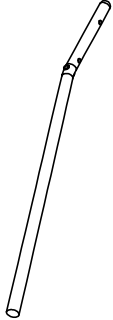
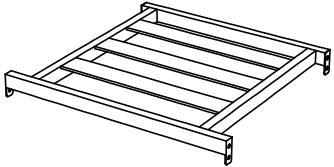
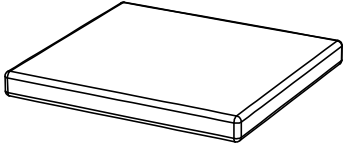
ASSEMBLY INSTRUCTION

Chair

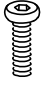
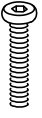

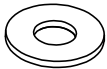
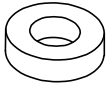
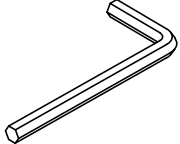
AHJXXX37DC



Component List

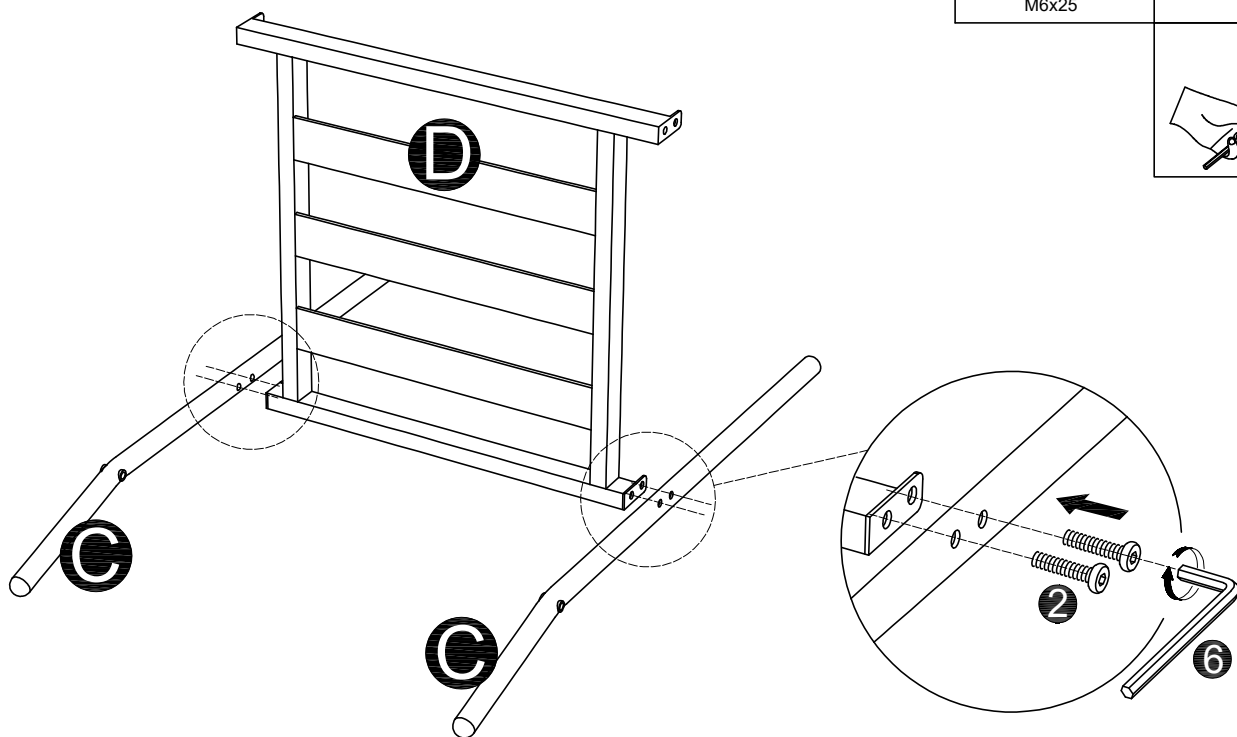
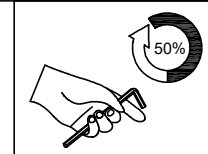
LABEL	DESCRIPTION	QTY
A	 Back Fence	1
B	 Armrest	2
C	 Leg	2
D	 Seat Frame	1
E	 Seat Cushion	1

Hardware List

LABEL	DESCRIPTION	QTY
1	M6x15  Bolts	4
2	M6x25  Bolts	8
3	M6x35  Bolts	2
4	M6  Washers	4
5	 Nut	2
6	M6  Allen Wrench	1

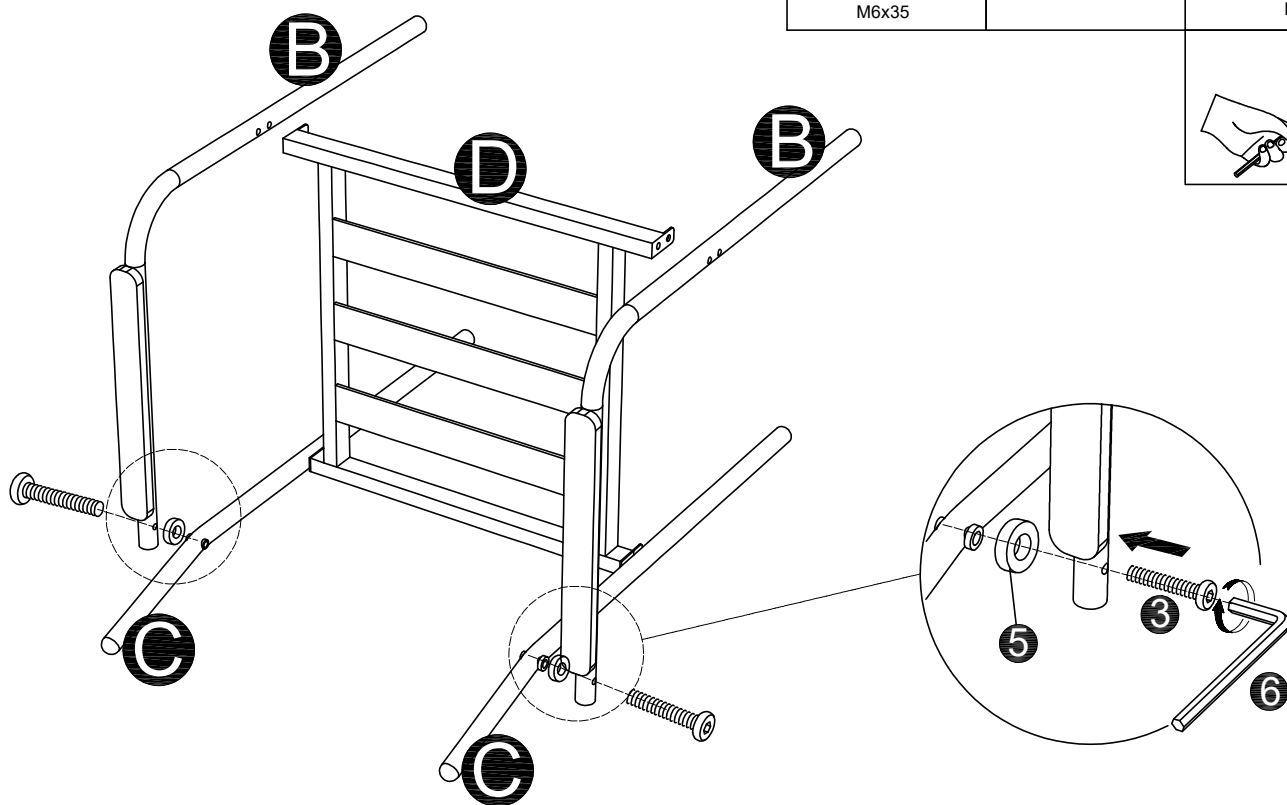
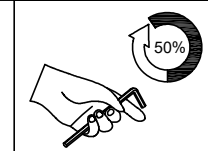
1

2 x4 M6x25	6 x1 M6
----------------------	-------------------



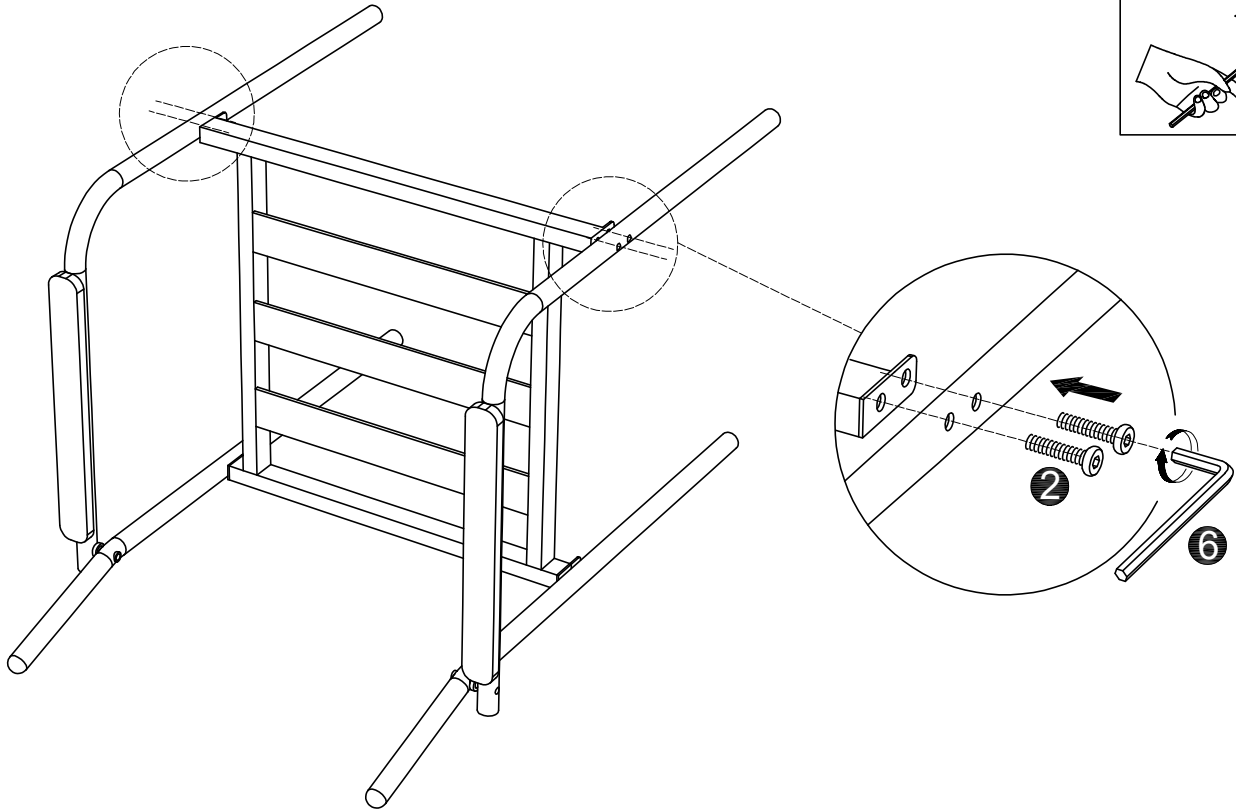
2

3 x2 M6x35	5 x2	6 x1 M6
----------------------	-------------	-------------------



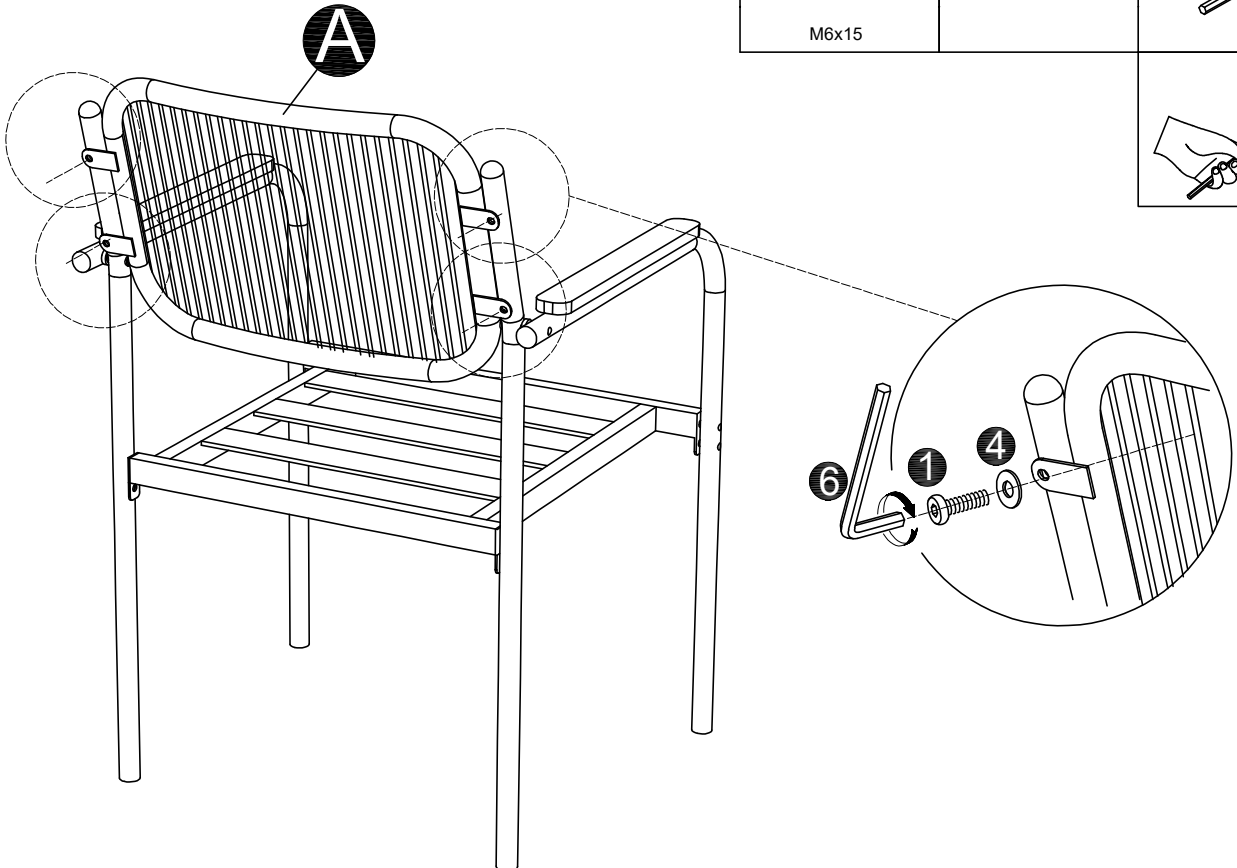
3

2 x4 M6x25	6 x1 M6



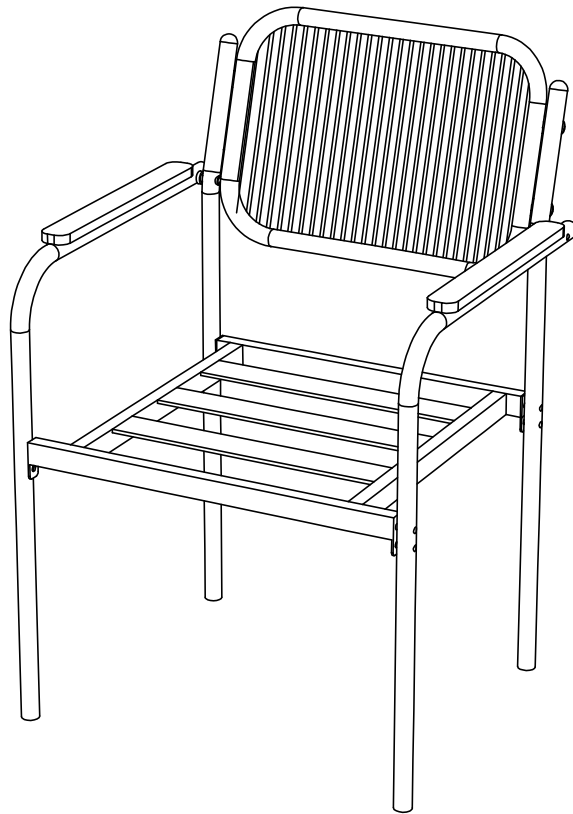
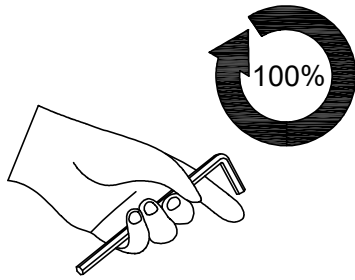
4

1 x4 M6x15	4 x4	6 x1 M6



5

Tighten the screws to 100% tightness



6

