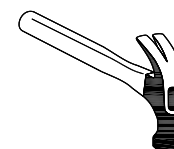
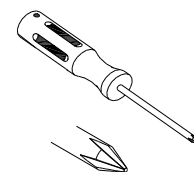
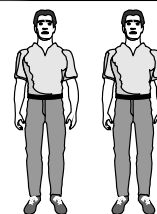


ASSEMBLY INSTRUCTIONS

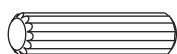
6 DRAWER DOUBLE DRESSER



02:00 Hs



HARDWARE INCLUDED



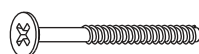
A - 8,0x30 Wood Dowel
Qty. 40



B - 4,0x30 Screw
Qty. 59



C - 4,0x14 Screw
Qty. 30



D - 4,0x45 Screw
Qty. 12



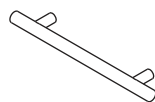
F - 7,0x70 Screw
Qty. 04



G - 7,0x50 Screw
Qty. 01



H - M4x25 Screw
Qty. 12



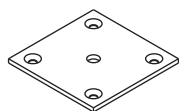
I - Knob
Qty. 04



J - Knob
Qty. 04



K - 3,5x16 Screw
Qty. 24



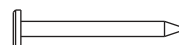
L - Foot Support
Qty. 01



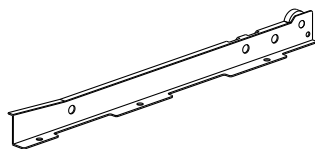
M - Support
Qty. 01



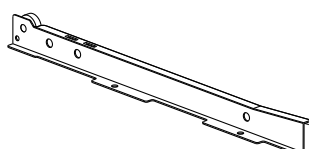
N - Z Key
Qty. 01



O - Nail
Qty. 36



P - Slide Left 330mm
Qty. 06

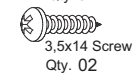


Q - Slide Right 330mm
Qty. 06

Anti-Tip Kit



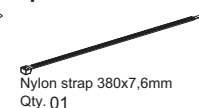
4,0x30 Screw
Qty. 02



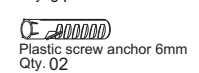
3,5x14 Screw
Qty. 02



Plastic wall bracket
Qty. 02

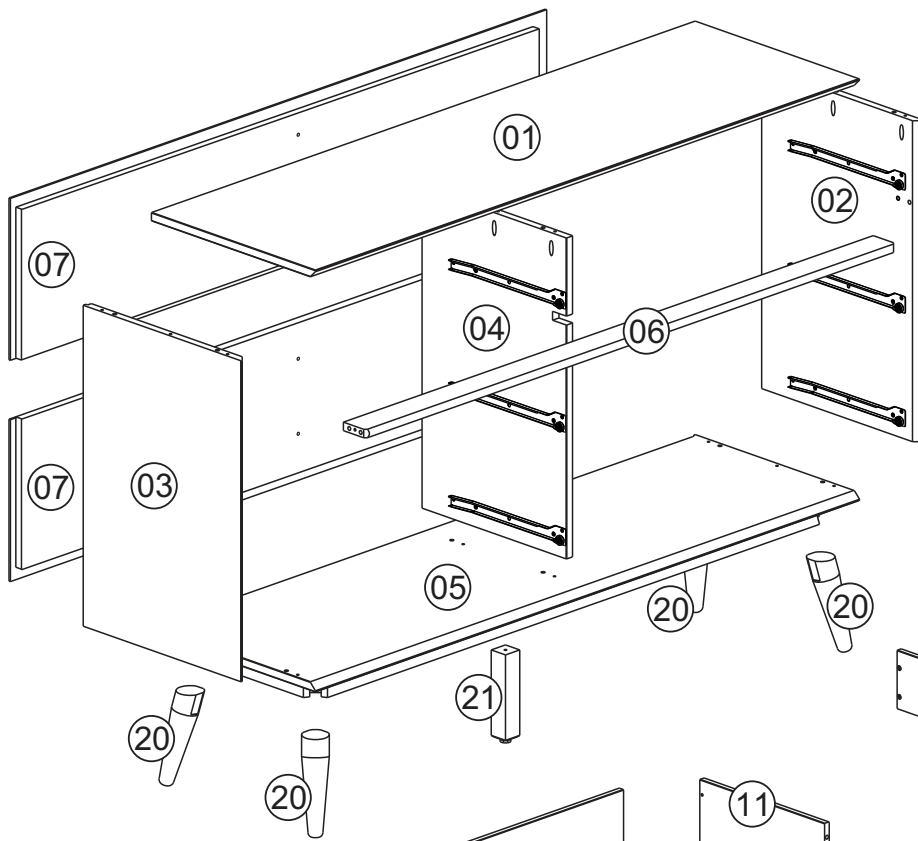


Nylon strap 380x7,6mm
Qty. 01

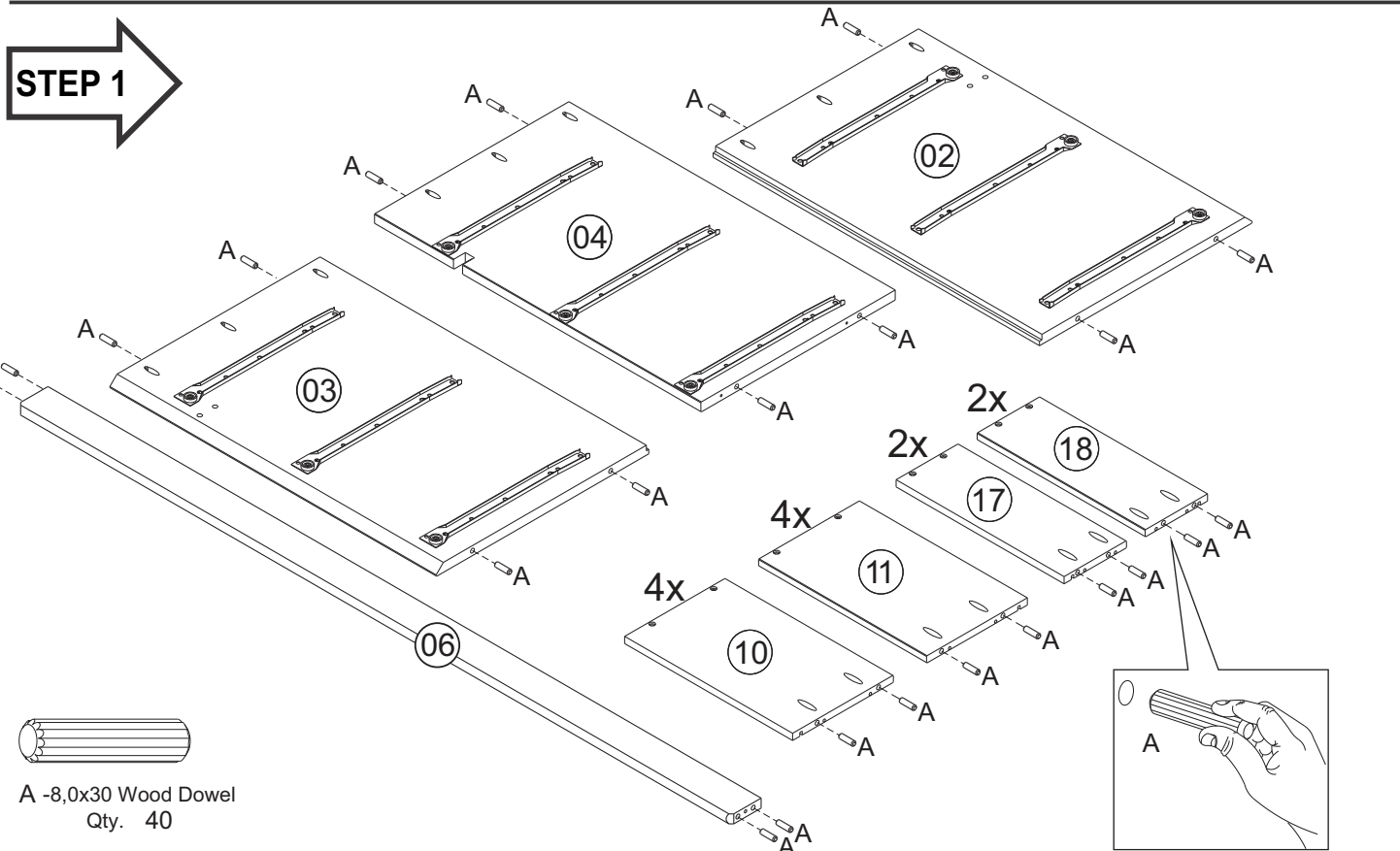
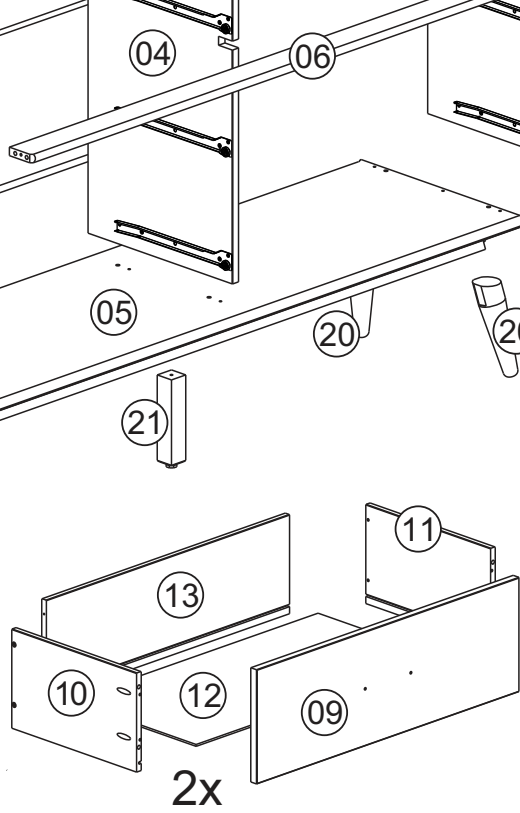


Plastic screw anchor 6mm
Qty. 02

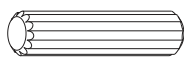
PARTS INCLUDED



The side drawer with WARNING LABEL, should be mounted to the top drawer.

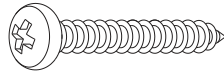
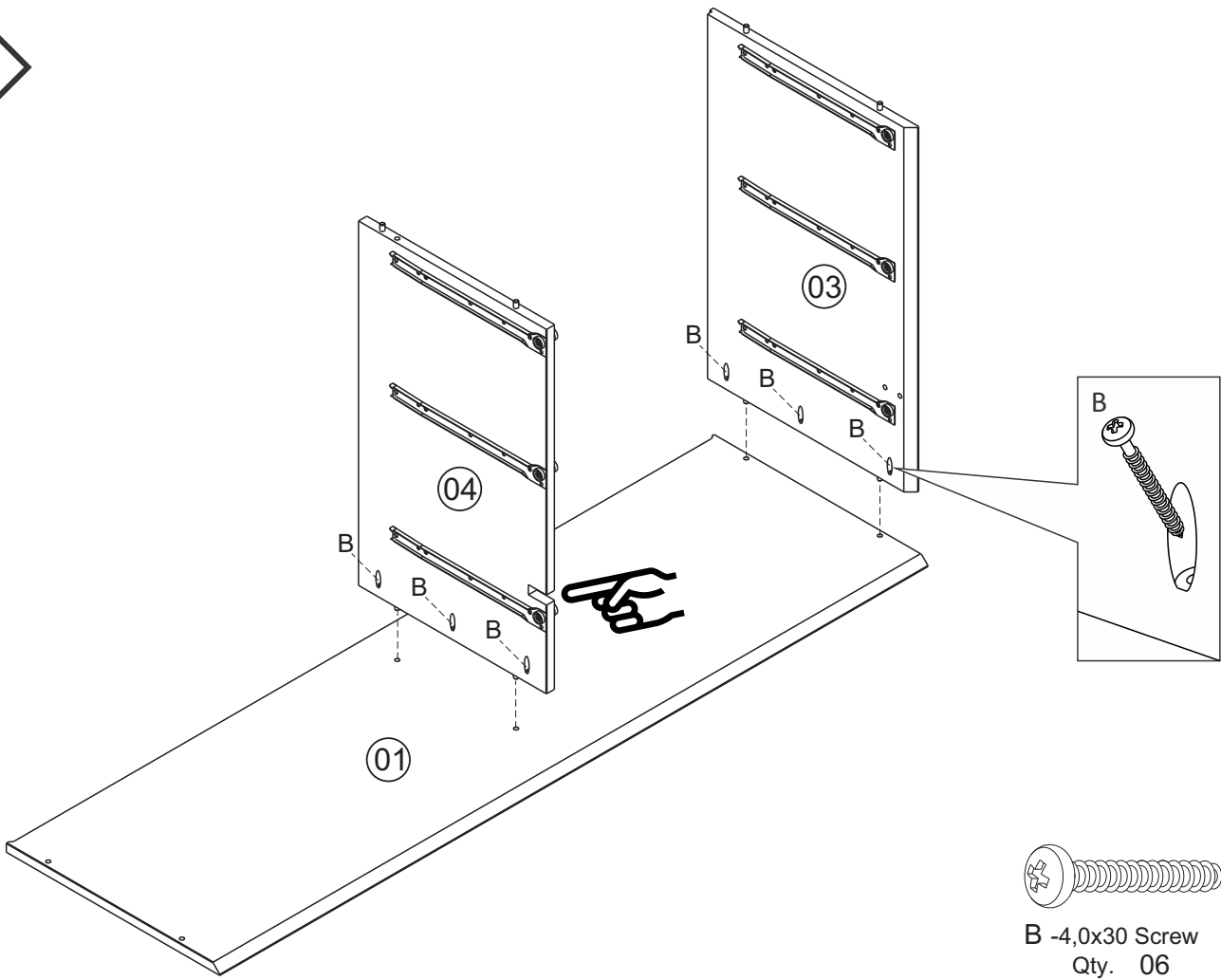


STEP 1



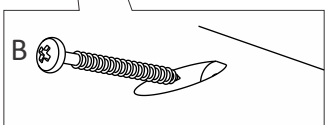
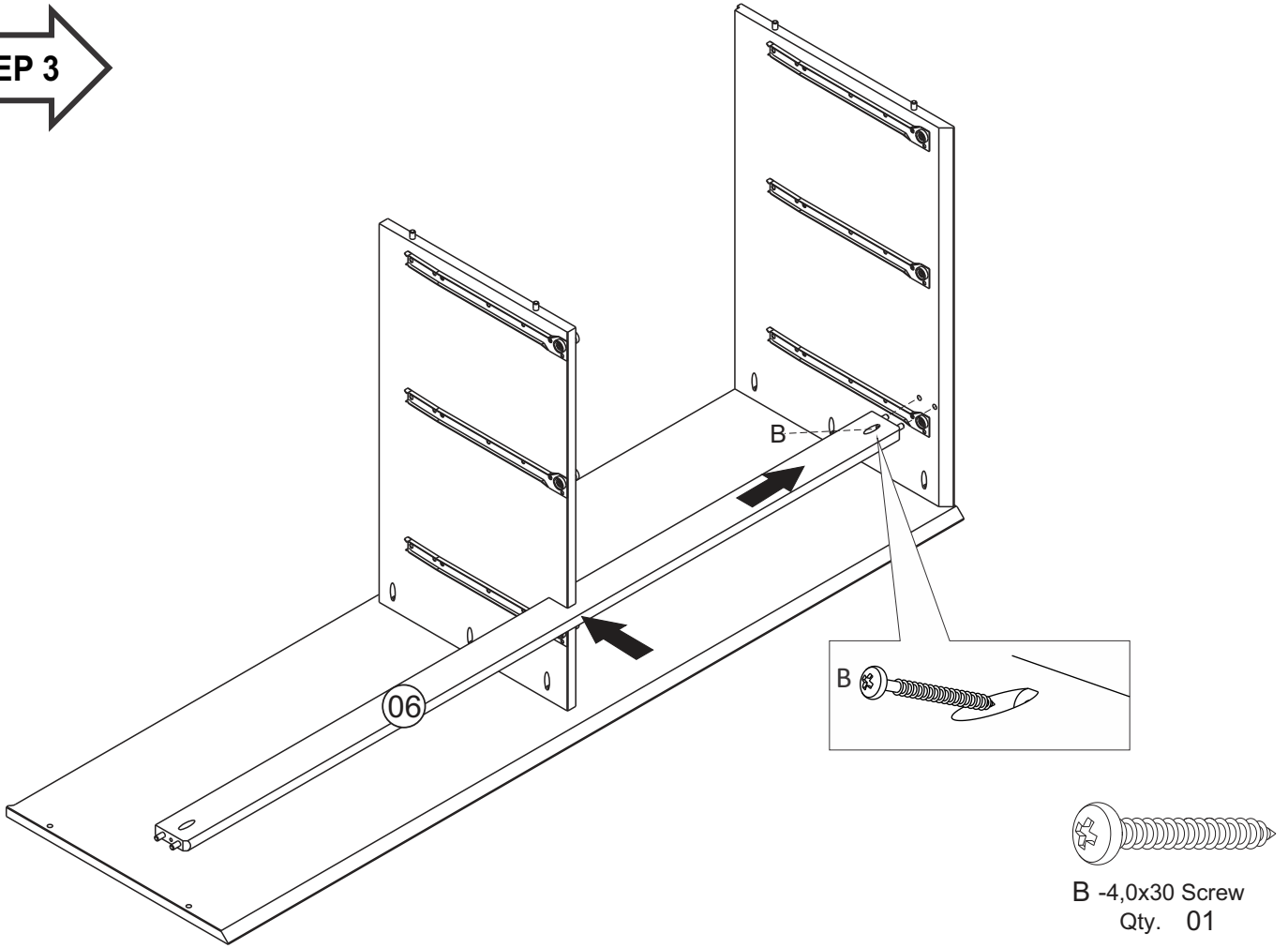
A -8,0x30 Wood Dowel
Qty. 40

STEP 2



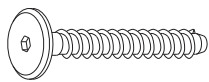
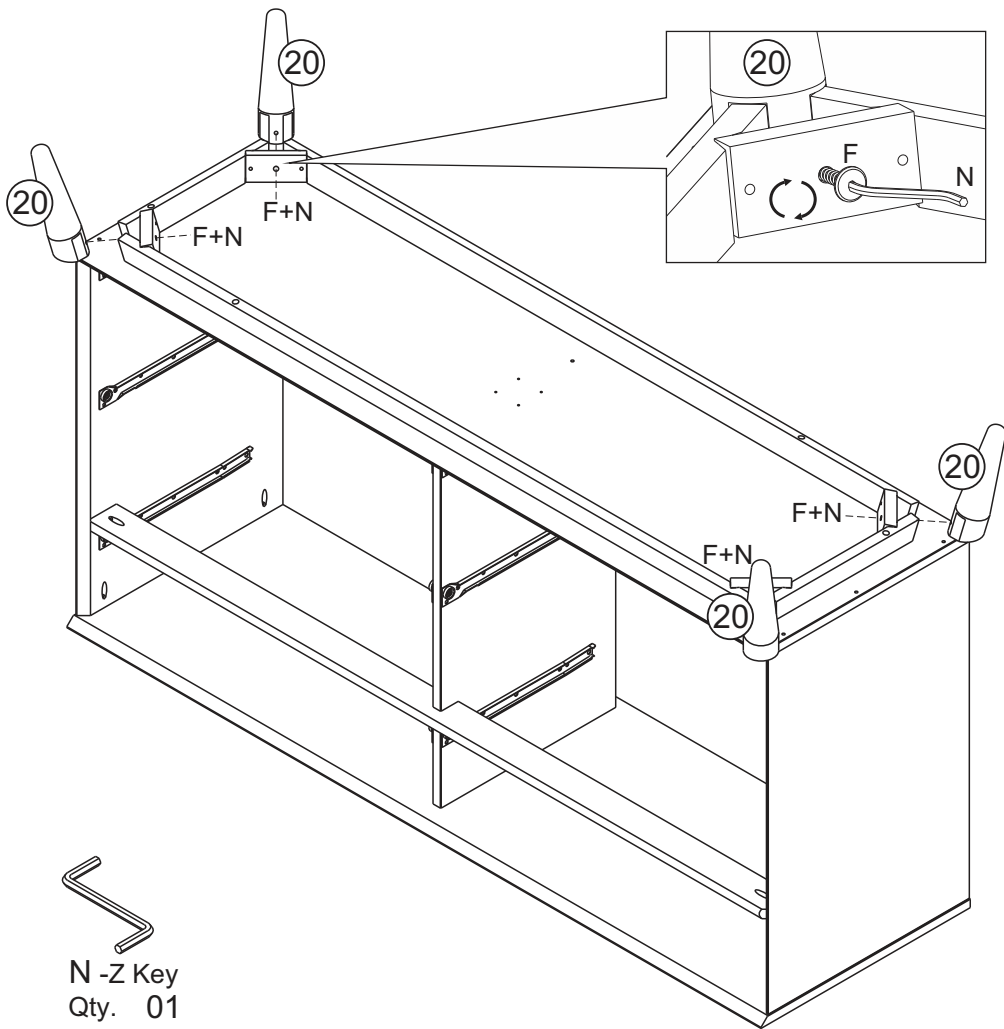
B -4,0x30 Screw
Qty. 06

STEP 3

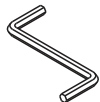


B -4,0x30 Screw
Qty. 01

STEP 6

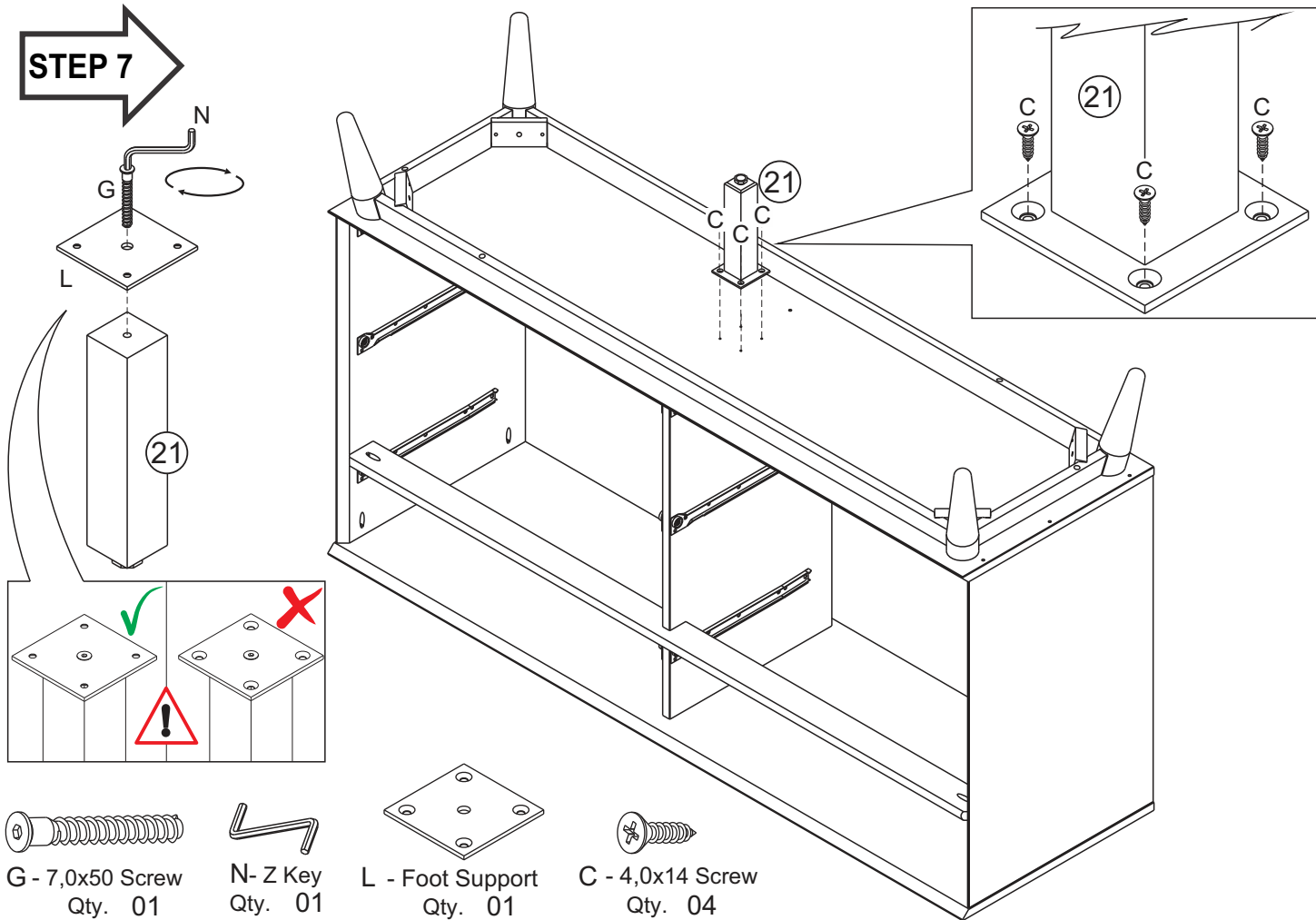


F - 7,0x70 Screw
Qty. 04



N - Z Key
Qty. 01

STEP 7



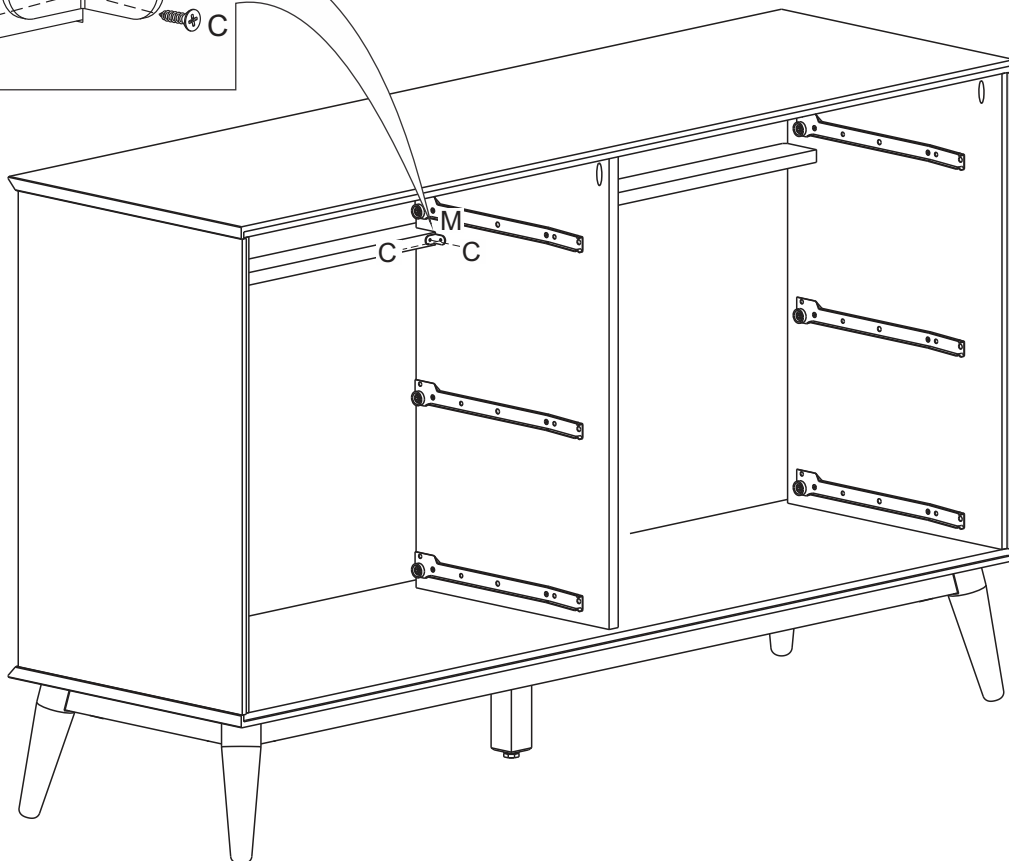
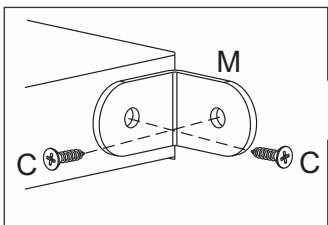
G - 7,0x50 Screw
Qty. 01

N - Z Key
Qty. 01

L - Foot Support
Qty. 01

C - 4,0x14 Screw
Qty. 04

STEP 8

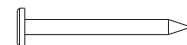
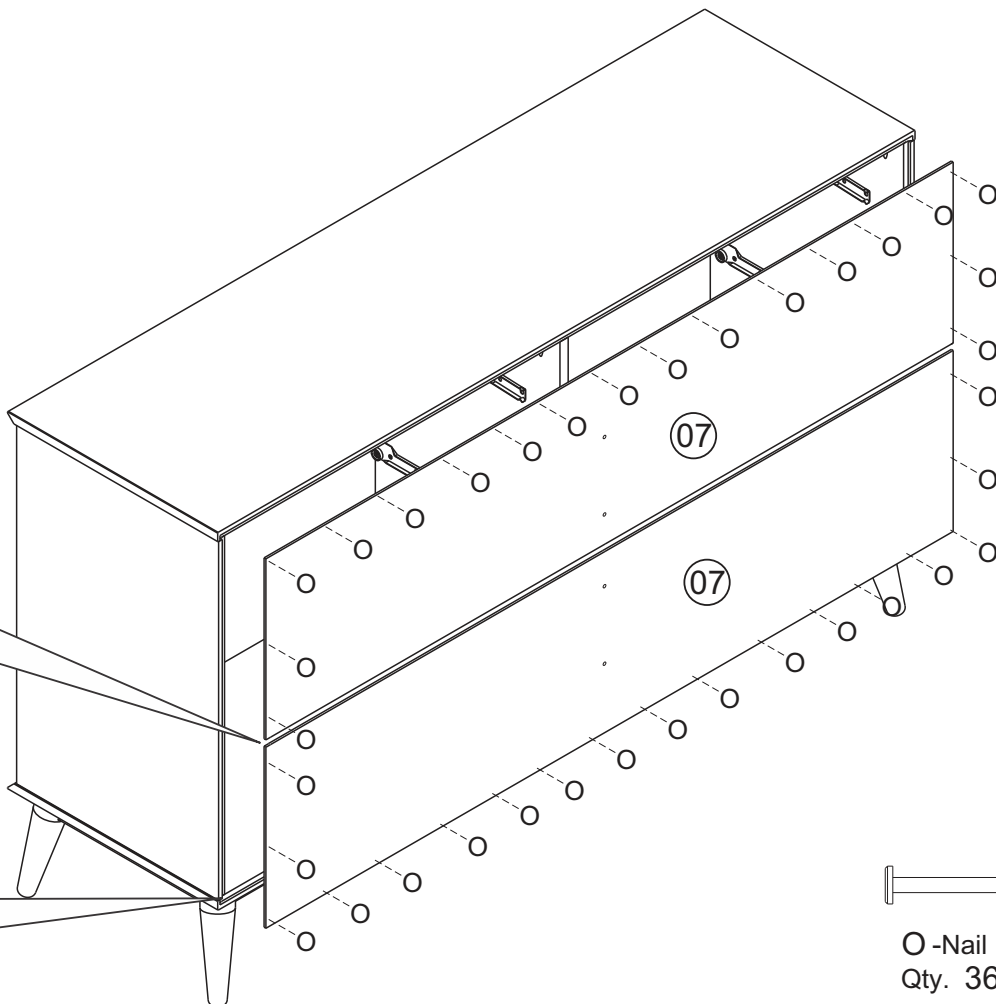
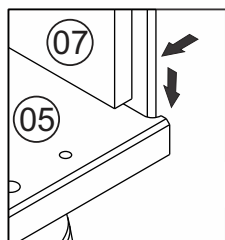
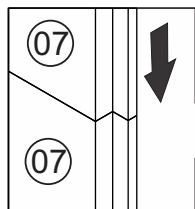


C - 4,0x14 Screw
Qty. 02



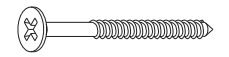
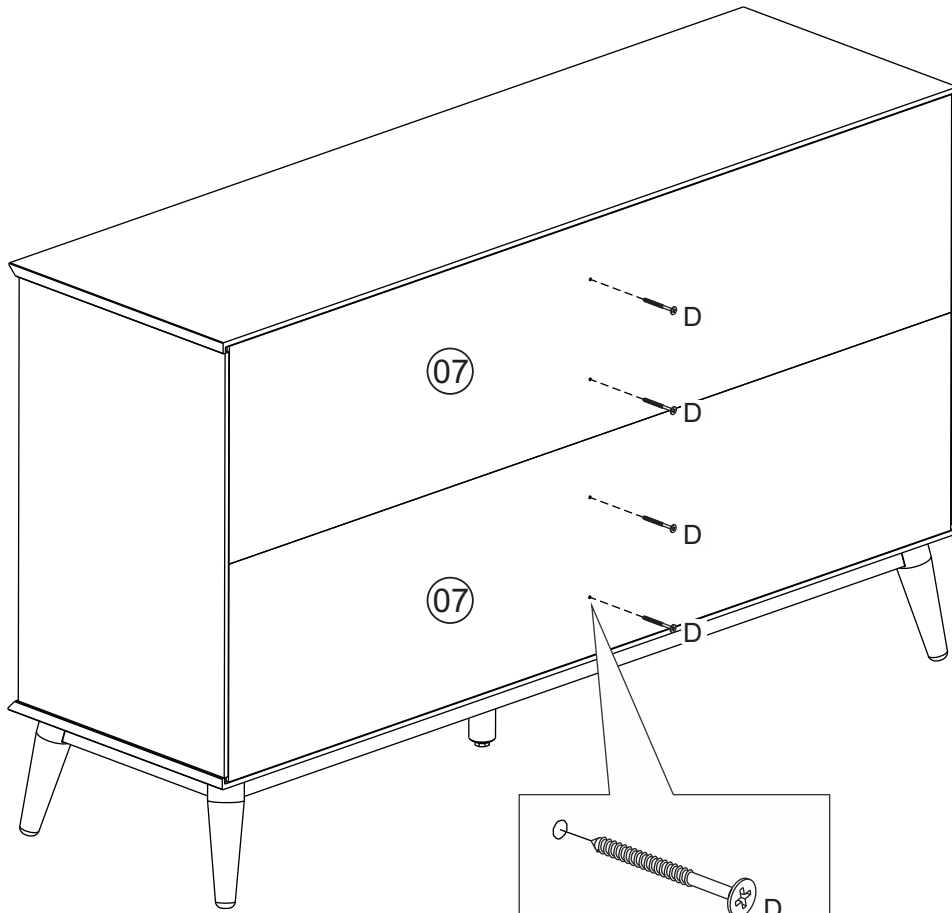
M - Support
Qty. 01

STEP 9



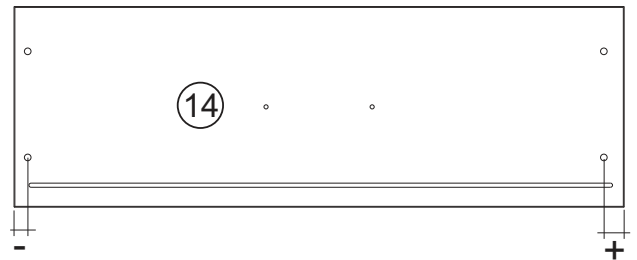
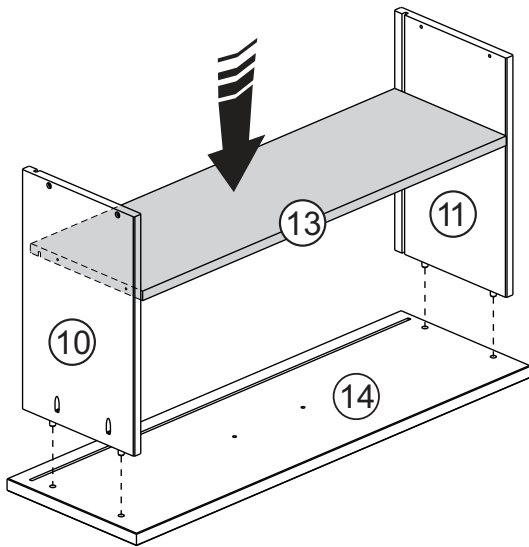
O-Nail
Qty. 36

STEP 10

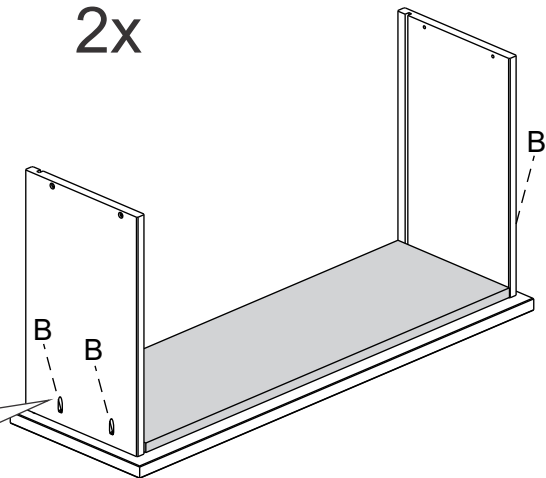


D - 4,0x45 Screw
Qty. 04

STEP 11

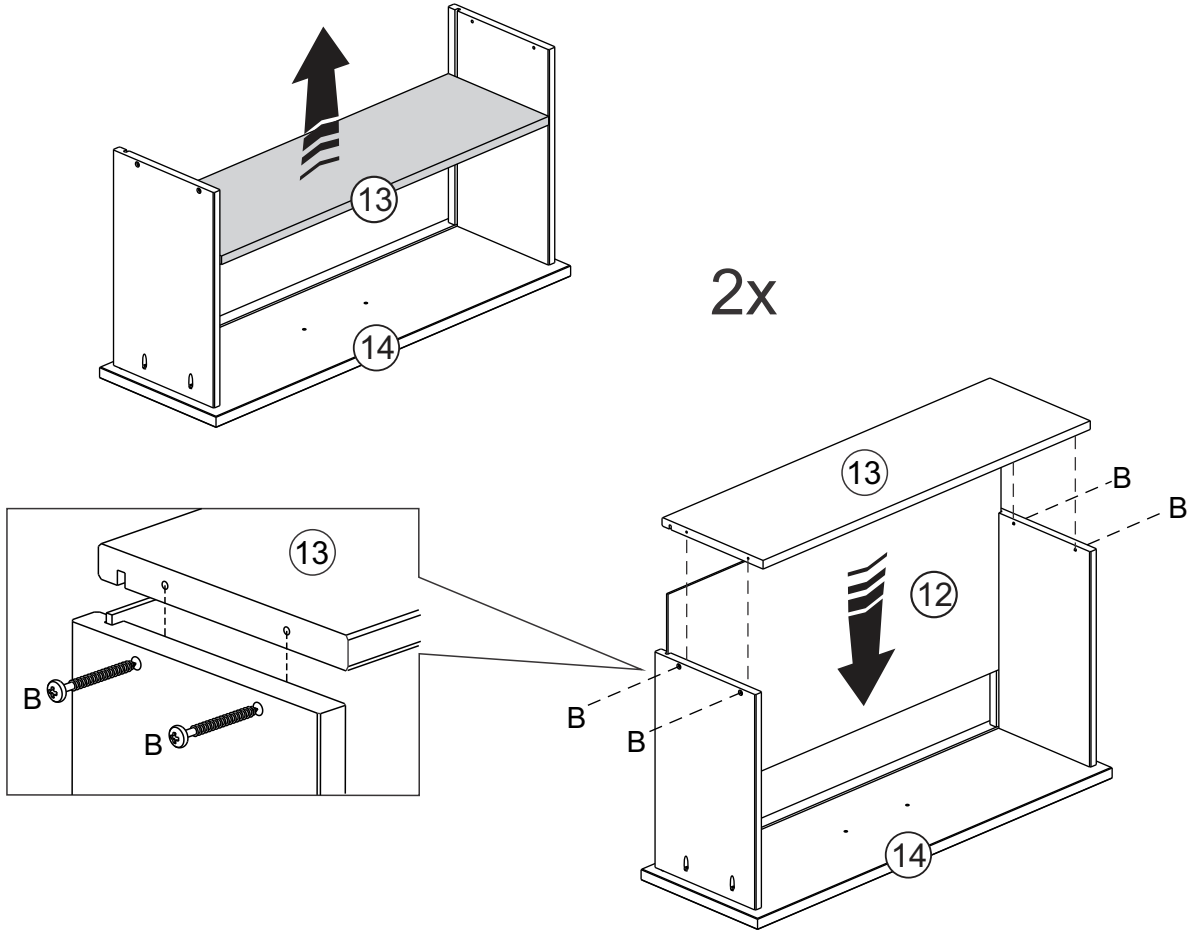


2x



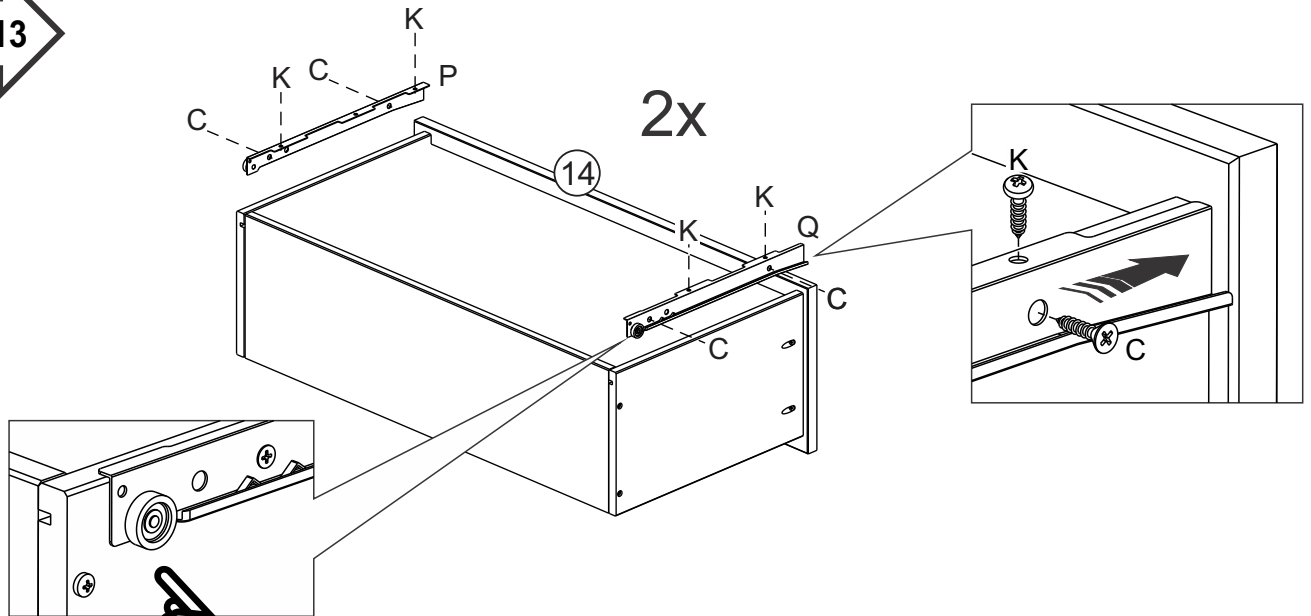
B - 4,0x30 Screw
Qty. 08

STEP 12



B - 4,0x30 Screw
Qty. 08

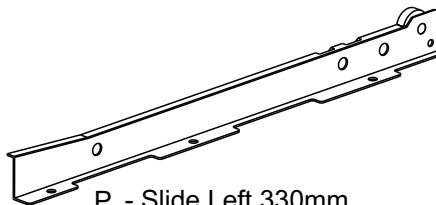
STEP 13



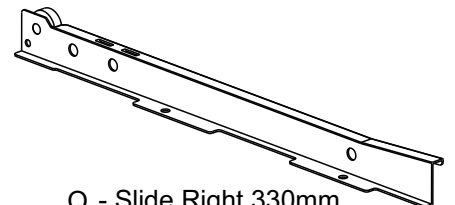
C - 4,0x14 Screw
Qty. 08



K - 3,5x16 Screw
Qty. 08

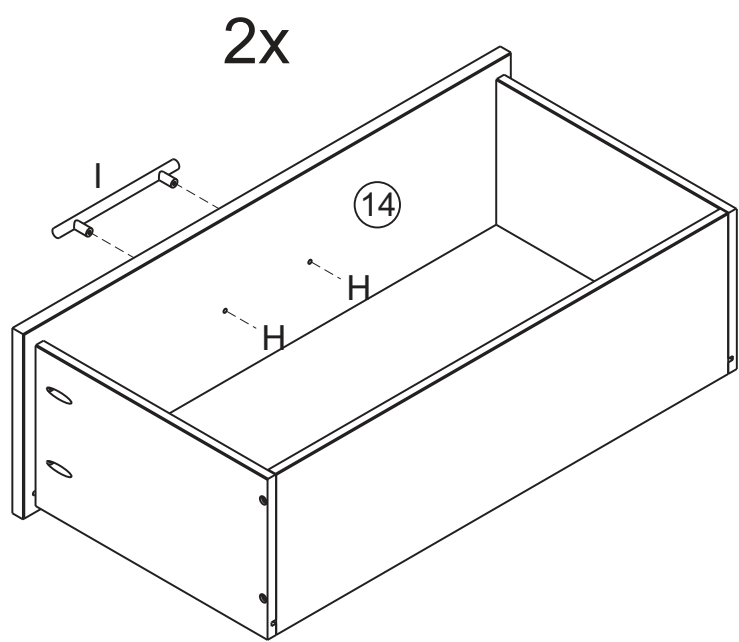


P - Slide Left 330mm
Qty. 02

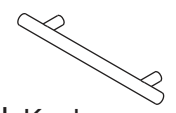


Q - Slide Right 330mm
Qty. 02

STEP 14

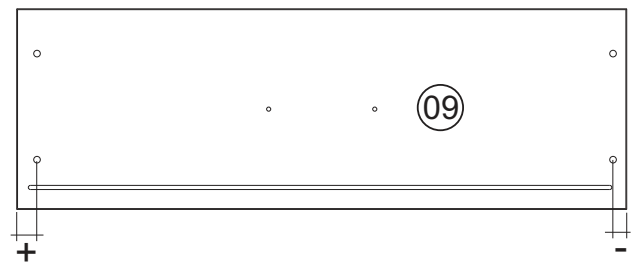
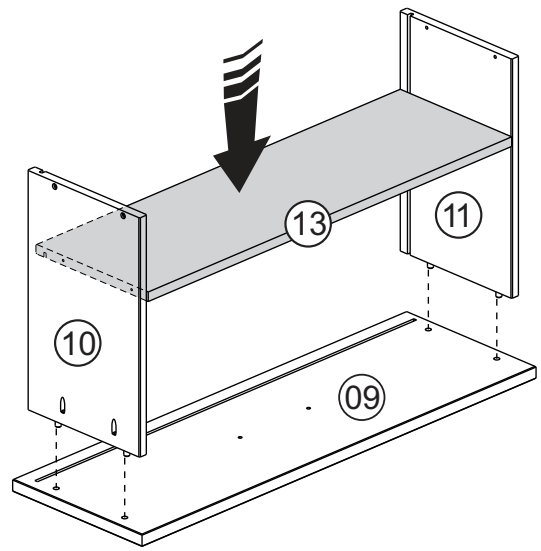


H -M4x25 Screw
Qty. 04

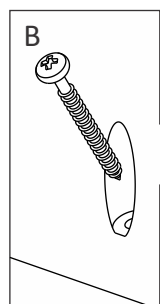
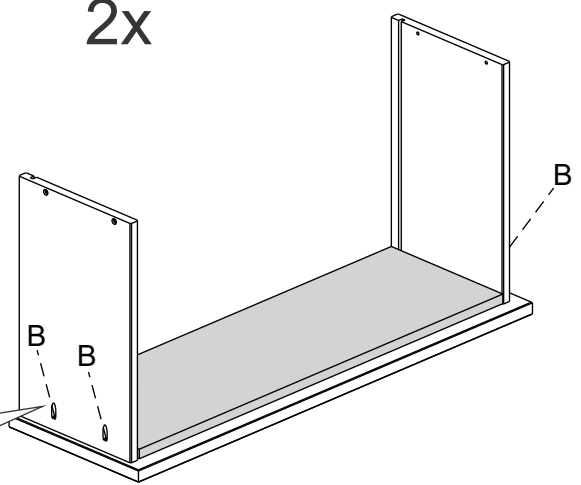


I-Knob
Qty. 02

STEP 15

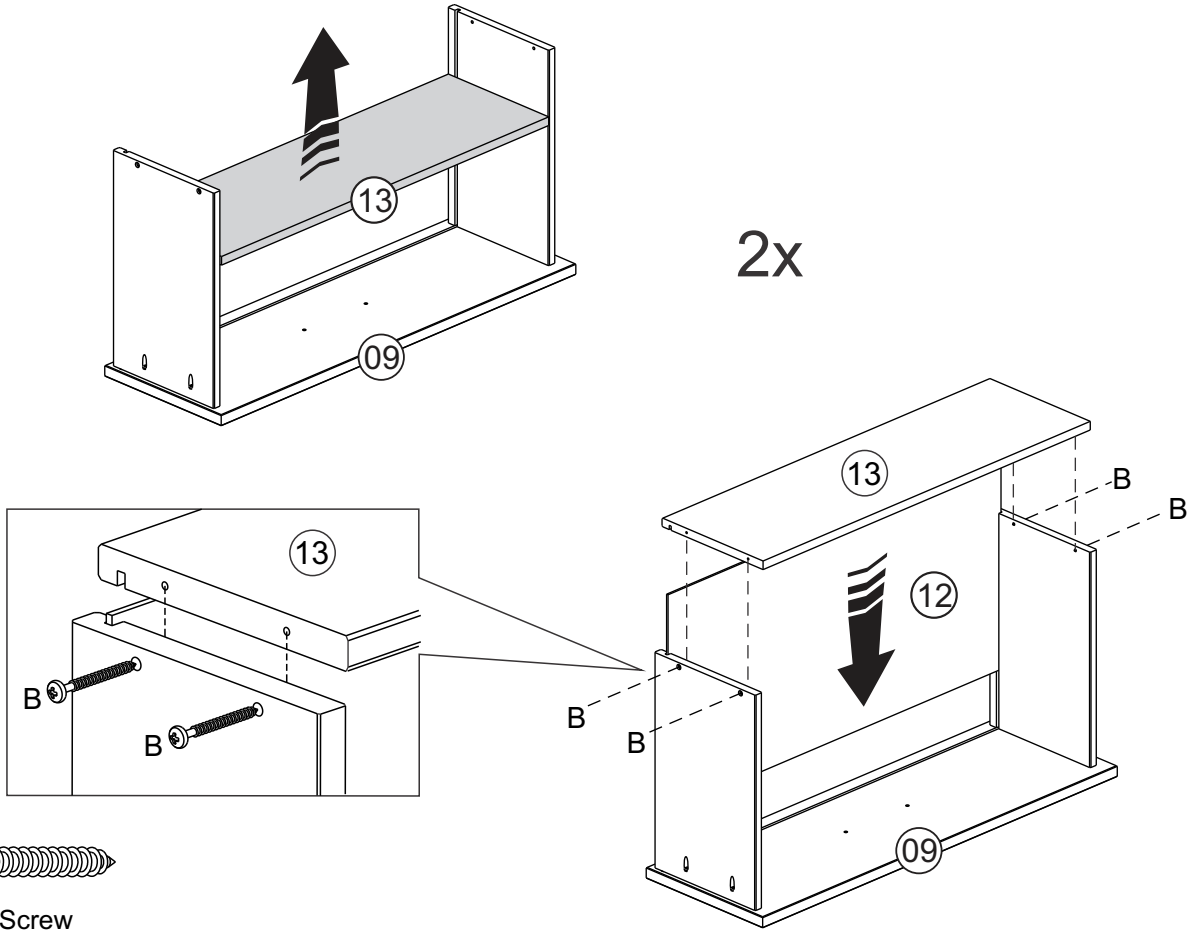


2x



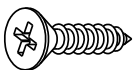
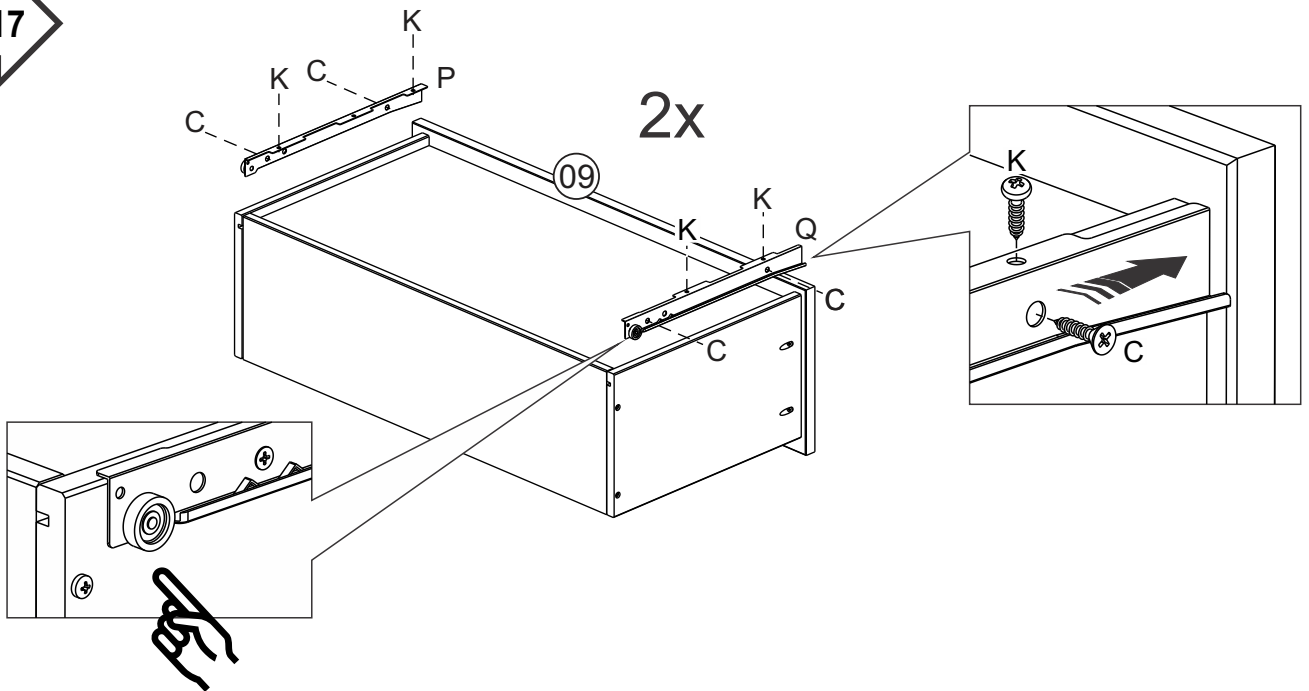
B - 4,0x30 Screw
Qty. 08

STEP 16

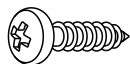


B - 4,0x30 Screw
Qty. 08

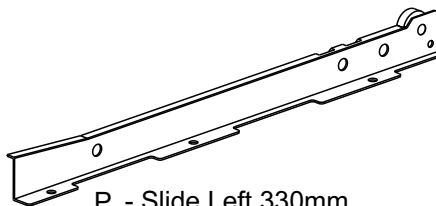
STEP 17



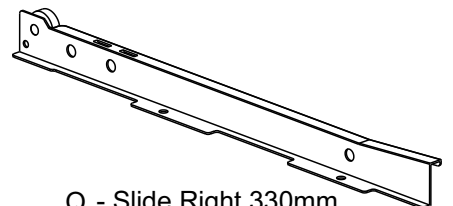
C - 4,0x14 Screw
Qty. 08



K - 3,5x16 Screw
Qty. 08



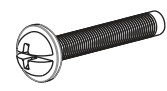
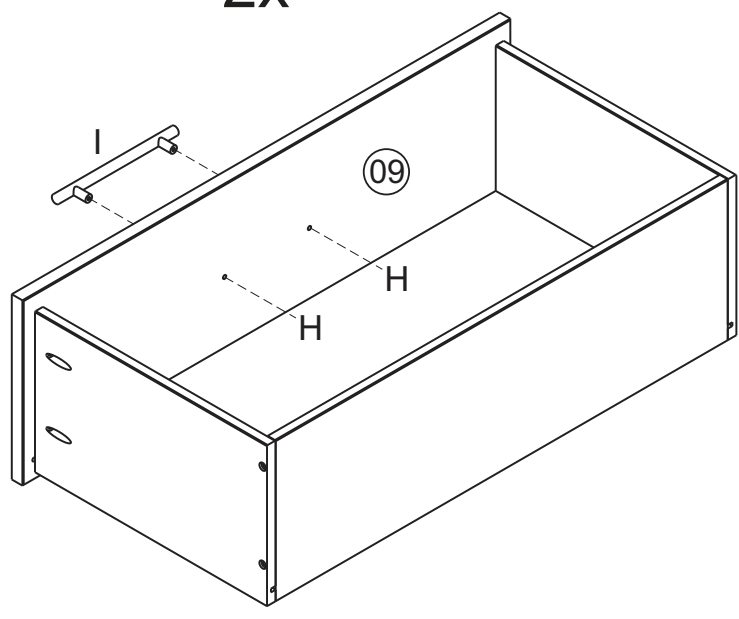
P - Slide Left 330mm
Qty. 02



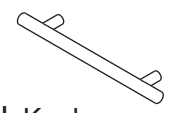
Q - Slide Right 330mm
Qty. 02

STEP 18

2x

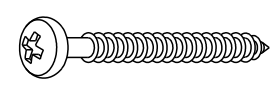
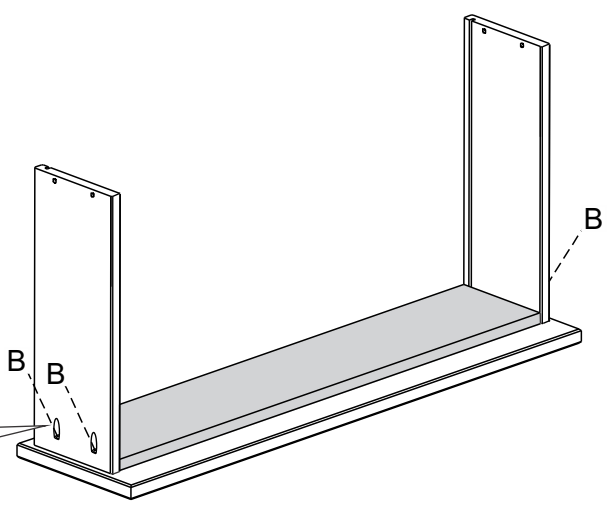
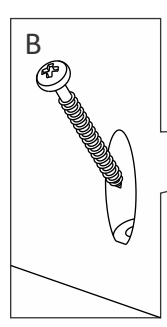
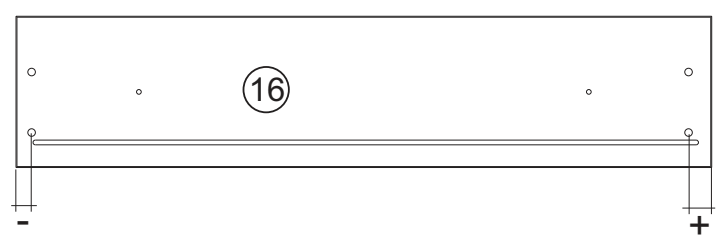
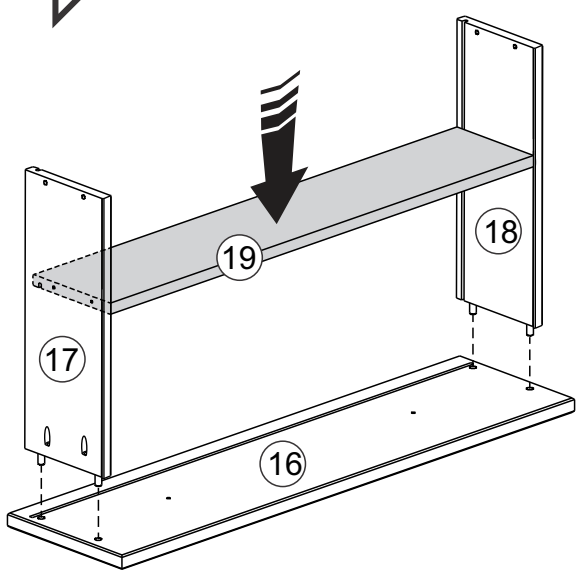


H -M4x25 Screw
Qty. 04



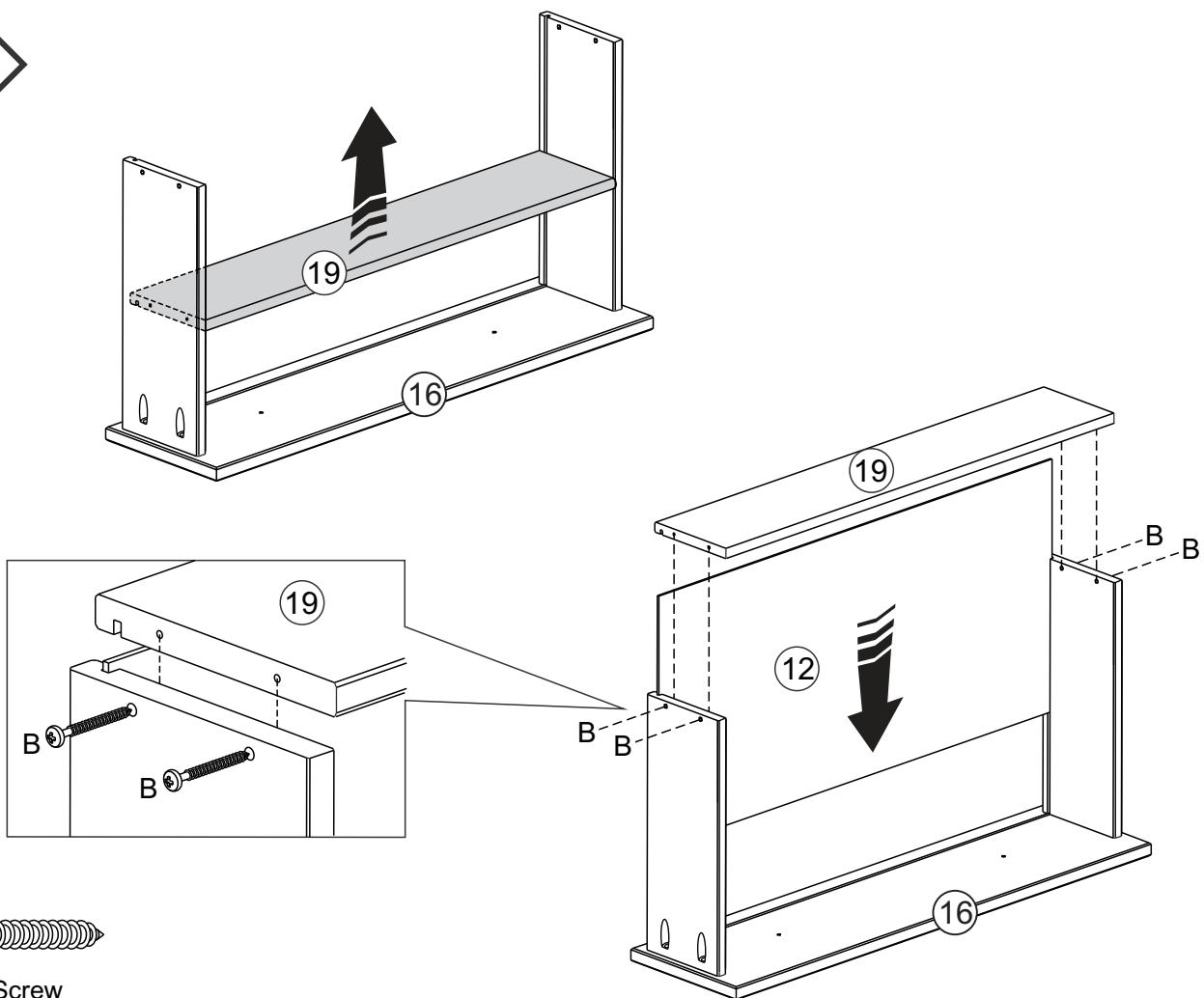
I-Knob
Qty. 02

STEP 19



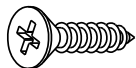
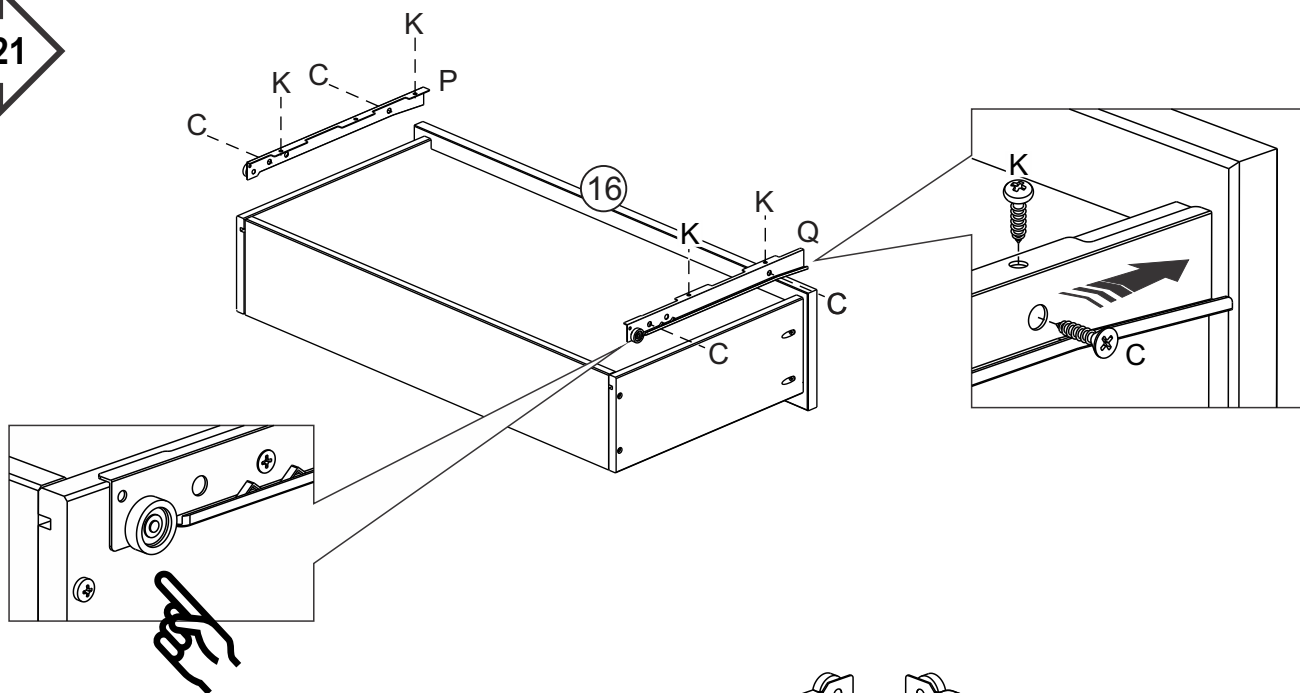
B - 4,0x30 Screw
Qty. 04

STEP 20



B - 4,0x30 Screw
Qty. 04

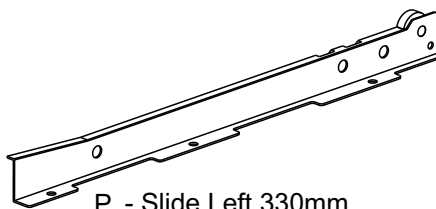
STEP 21



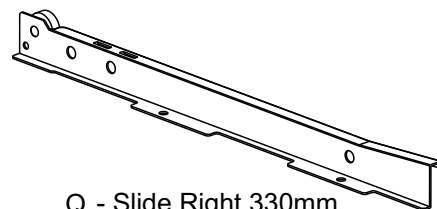
C - 4,0x14 Screw
Qty. 04



K - 3,5x16 Screw
Qty. 04

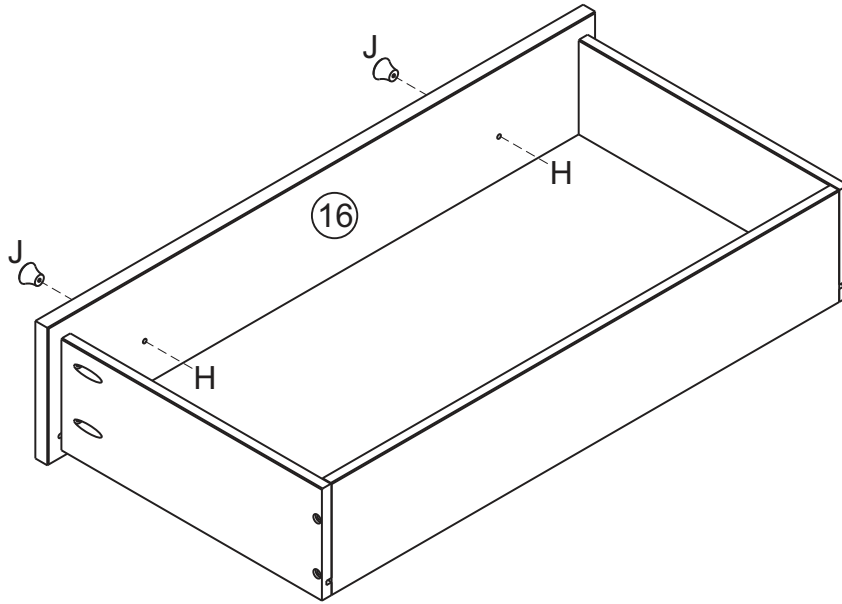


P - Slide Left 330mm
Qty. 01



Q - Slide Right 330mm
Qty. 01

STEP 22

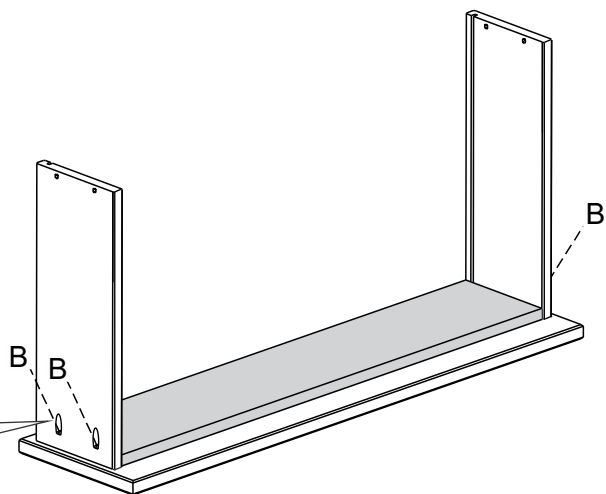
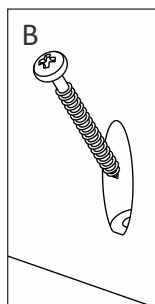
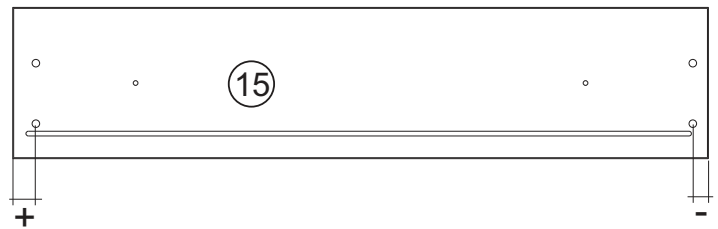
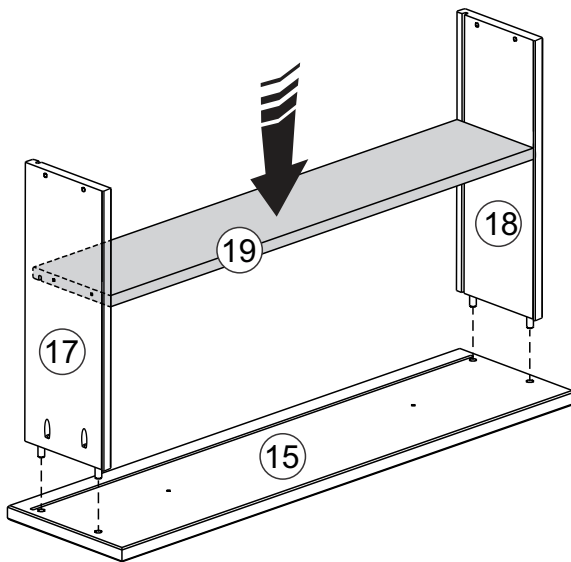


H -M4x25 Screw
Qty. 02



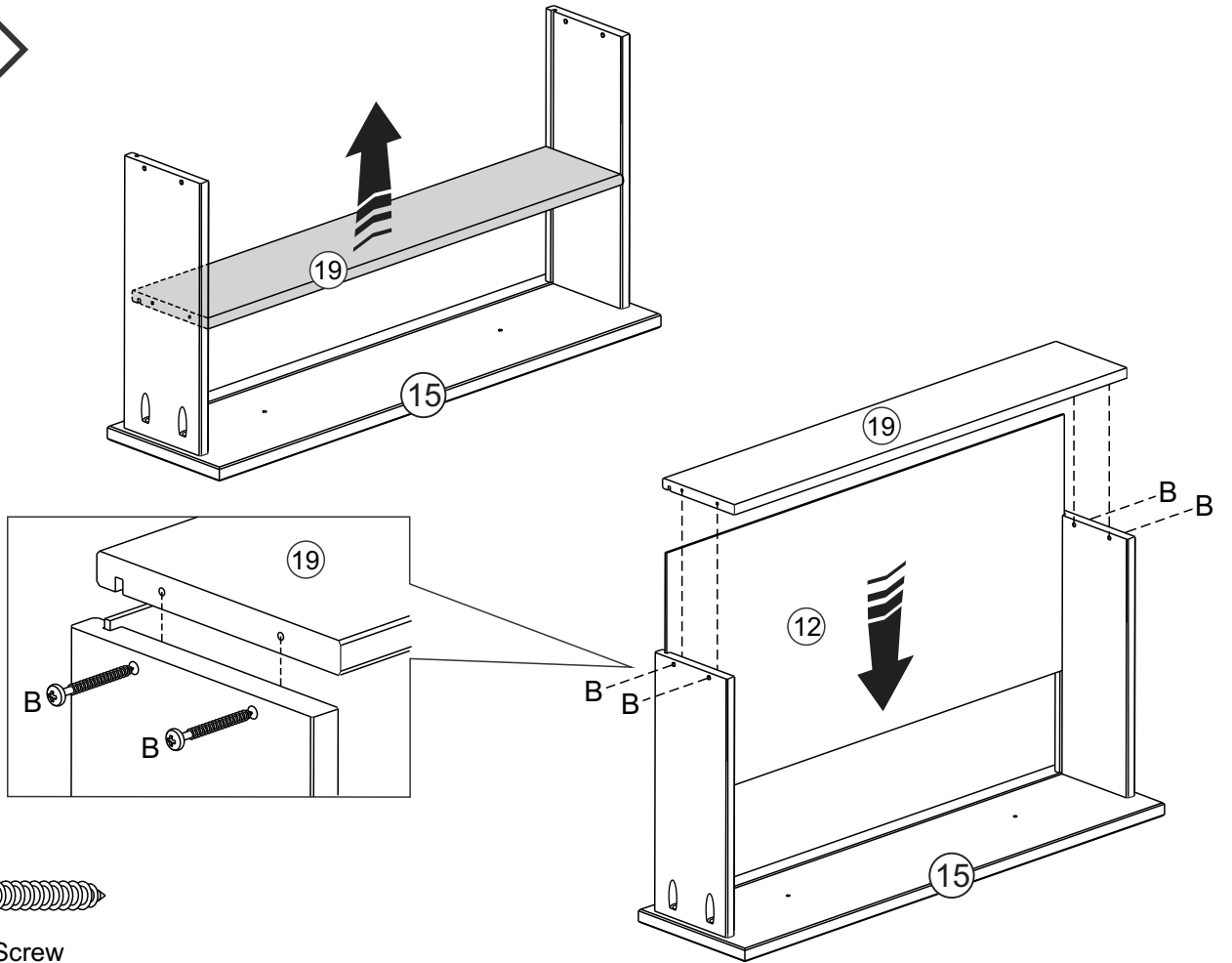
J -Knob
Qty. 02

STEP 23



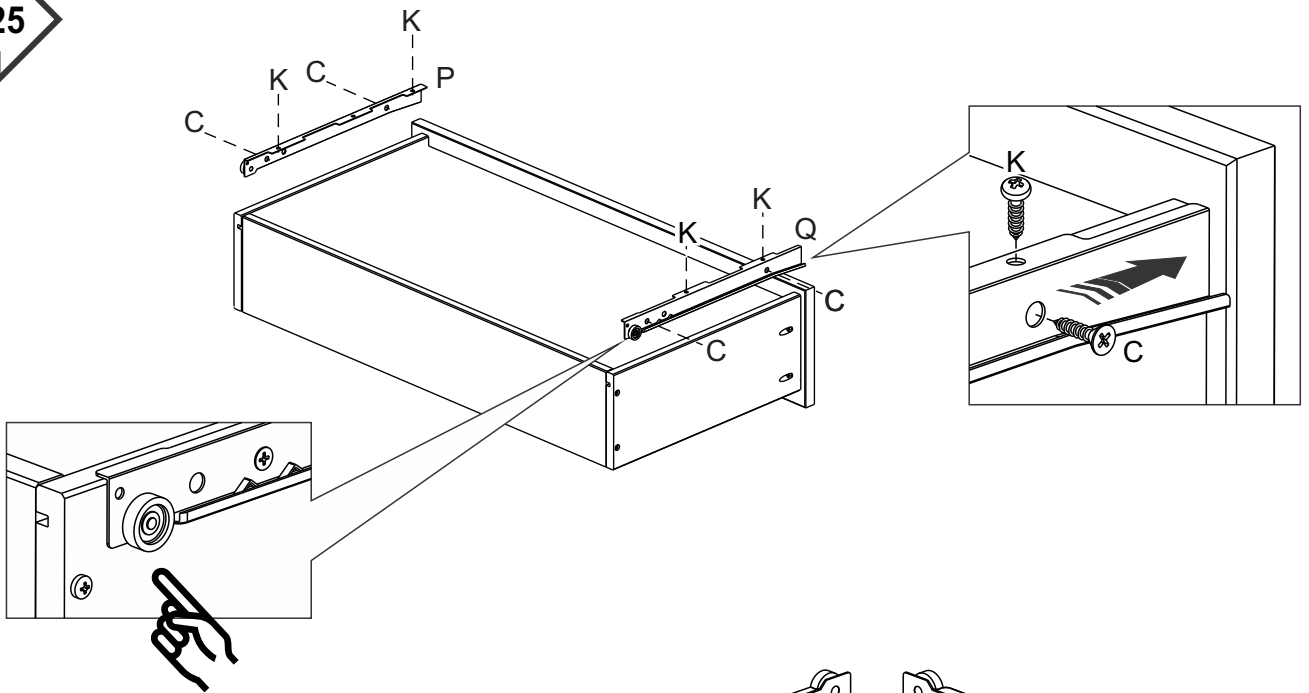
B - 4,0x30 Screw
04

STEP 24

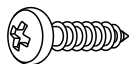


B - 4,0x30 Screw
Qty. 04

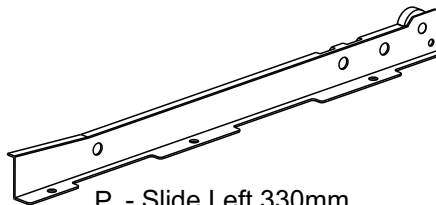
STEP 25



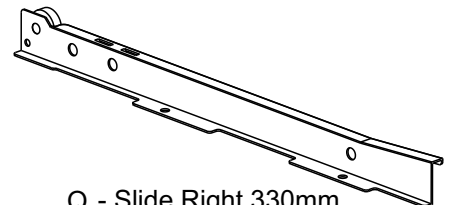
C - 4,0x14 Screw
Qty. 04



K - 3,5x16 Screw
Qty. 04

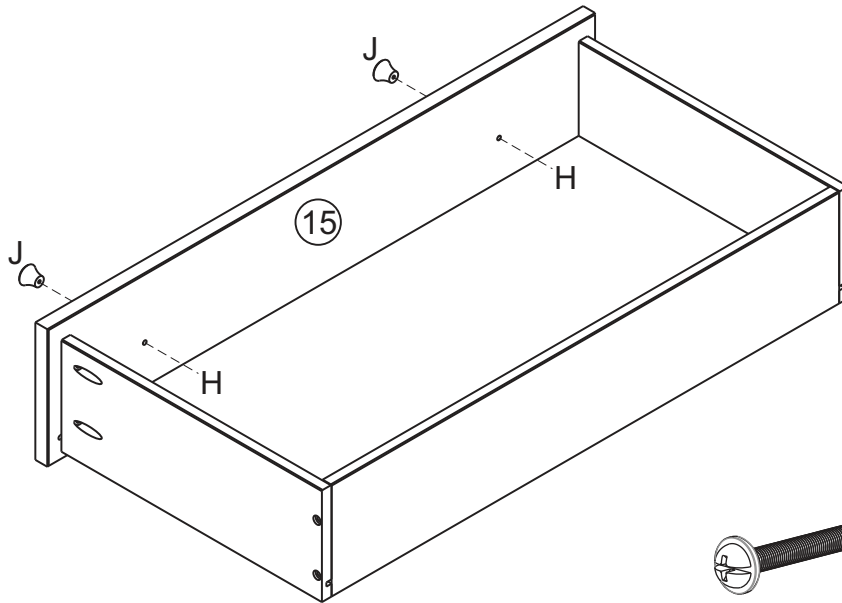


P - Slide Left 330mm
Qty. 01



Q - Slide Right 330mm
Qty. 01

STEP 26

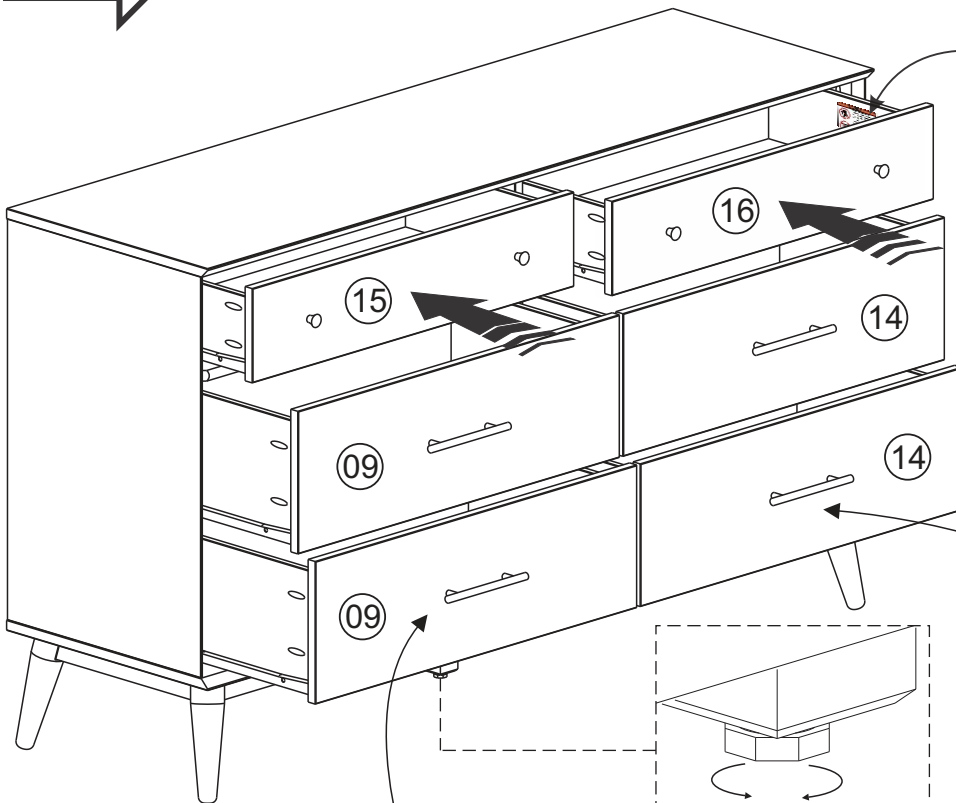


H -M4x25 Screw
Qty. 02

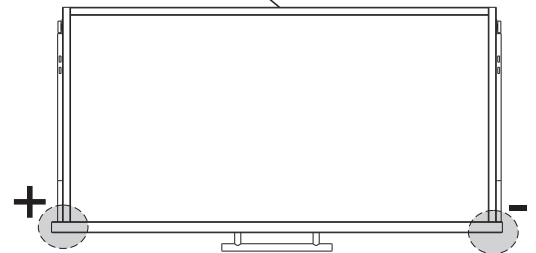
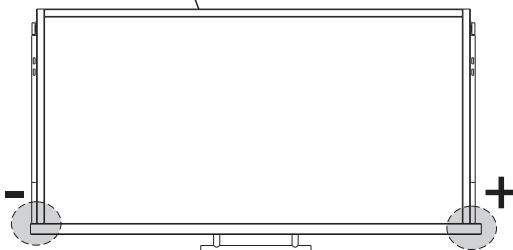


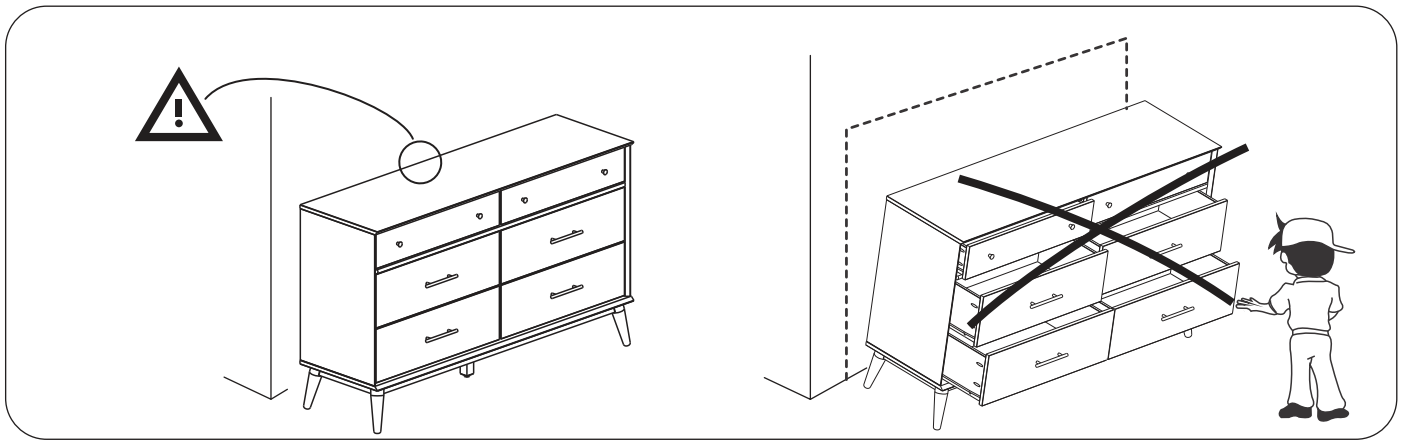
J -Knob
Qty. 02

STEP 27

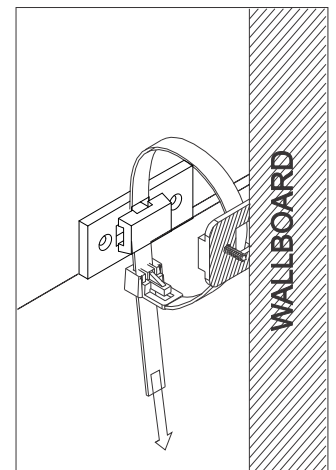
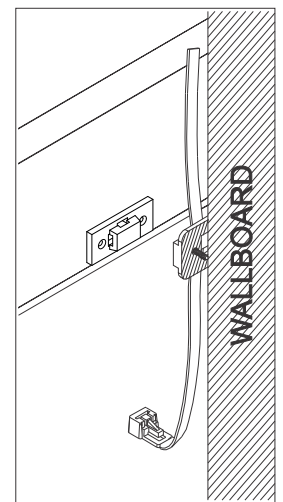
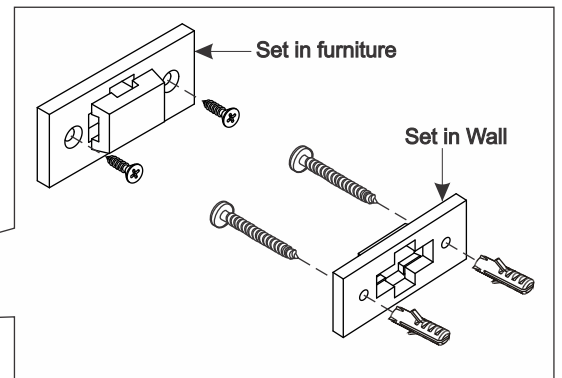
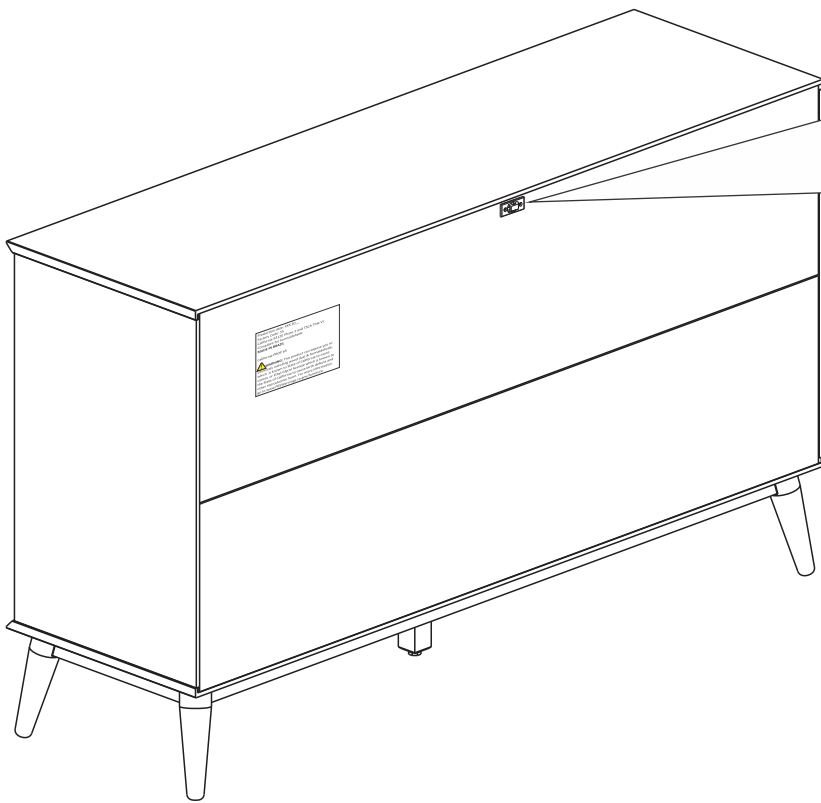







Place The Drawer
With Warning Label
in Upper Most Position
Of Chest As Shown.





Anti-Tip Kit



- Anti-Tip Kit**
-  4,0x30 Screw
Qty. 02
 -  3,5x14 Screw
Qty. 02
 -  Plastic wall bracket
Qty. 02
 -  Nylon strap 380x7,6mm
Qty. 01
 -  Plastic screw anchor 6mm
Qty. 02