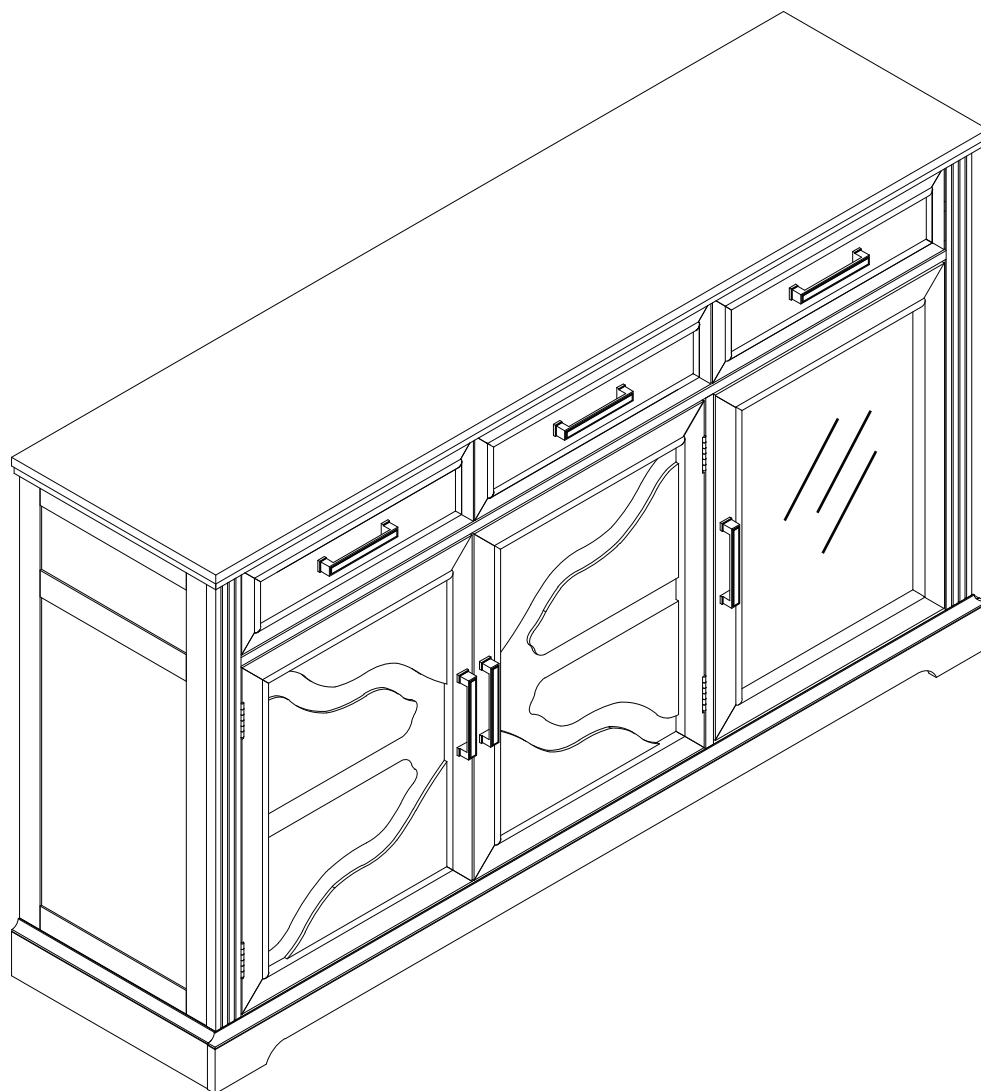


# Cabinet

Assembly Instructions - Please keep for future reference



## Dimensions

Width - 59.7inch  
Depth - 15.8inch  
Height - 34.9inch

Please include the following information for faster assistance:

- Order number
- Purchase platform
- Purchase date
- Detailed description of the issue along with photos

**Important – Please read these instructions fully before starting assembly**



# Safety and Care Advice

## Important – Please read these instructions fully before starting assembly

- Check you have all the components and tools listed on the following pages.
- Remove all fittings from the plastic bags and separate them into their groups.
- Keep children and animals away from the work area, small parts could choke if swallowed.
- Make sure you have enough space to layout the parts before starting.

- During assembly do not stand or put weight on the product, this could cause damage.
- Assemble the item as close to its final position (in the same room) as possible.
- Assemble on a soft level surface to avoid damaging the unit or your floor.
- Parts of the assembly will be easier with 2 people.



power drill is set on a low torque setting.

- To reduce the likelihood of damaging your product please ensure that your

## Care and maintenance

- Only clean using a damp cloth and mild detergent, do not use bleach or abrasive cleaners.
- From time to time check that there are no loose screws on this unit.
- This product should not be discarded with household waste. Take to your local authority waste disposal centre.

## Handy Hints

- Assemble all parts and bolts loosely during assembly, only once the product is complete should you fully tighten the bolts
- Regularly check and ensure that all bolts and fittings are tightened properly

### **WARNING**

**In order to help prevent overturning please follow these instructions**

To help prevent product toppling over please follow the steps below:

- Must use the anti tip strap or wall fixing method provided (whichever applies).
- Do not allow children to climb or hang on the furniture.
- Do not place heavy items on top of the furniture, unless the furniture has been designed for this purpose
- Installation shall be carried out exactly according to the instructions- otherwise a safety risk can occur
- In order to prevent falling down this product must be used with the wall attachment device provided.

Please note that only the wall attachment device is provided. You will need to supply wall plugs and screws applicable for your wall type.

# CUSTOMER SERVICE GUIDE

Thank you for choosing our product! We are committed to providing you with excellent service. If you find any missing parts, damaged packaging, or product damage after receiving all packages, please follow the steps below to quickly contact our customer service team. We will do our best to resolve your issue.

## 1. Missing Parts

### Verify Parts:

1. Refer to the "Parts List" in the manual to verify the name, specifications, and quantity of the missing parts.
2. Take a clear photo of the parts list and mark the missing parts with detailed information, e.g., "Missing 5 pieces of M6x30mm screws."

### Contact Us:

- A description of the missing parts and a photo of the parts list.
- Order details (order number, purchase platform, purchase date).

## 2. Product or Packaging Damage

### If it affects normal use:

#### Steps:

1. Take clear photos or videos showing the damaged parts and the extent of the damage (multi-angle shots are recommended).
2. Email the photos/videos along with other details to us with the subject line "Product Damage Issue."

### Resolution:

After verification, we will arrange for a replacement part, product exchange, or refund as quickly as possible.

### If it does not affect normal use:

#### Steps:

1. Contact our customer service team
2. Provide a description of the damage and include relevant photos or videos.

### Resolution:

We will provide repair guidance or an appropriate compensation plan based on the specific situation.

## Helpful Tips

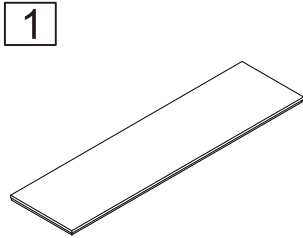
To process your issue efficiently, please prepare the following information:

- Order details (order number, purchase platform, purchase date).
- Clear photos or videos.
- We are committed to providing quick and professional solutions, no matter the size of the issue, to ensure your satisfaction.

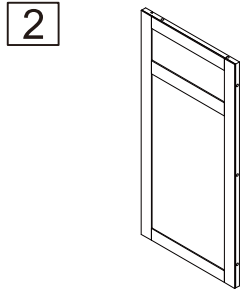
Thank you for your trust and support! We hope you enjoy using our product!

# Components - Panels

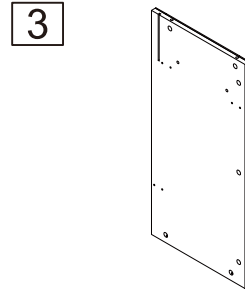
Please check you have all the fittings listed below



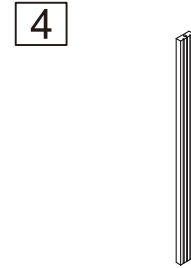
(151.3\*40\*3cm) x1



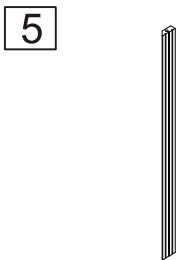
(76\*36.7\*1.8cm) x1



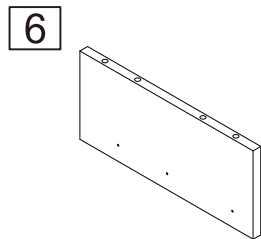
(76\*36.7\*1.8cm) x1



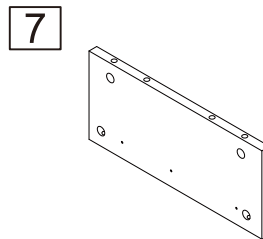
(76\*5\*1.8cm) x1



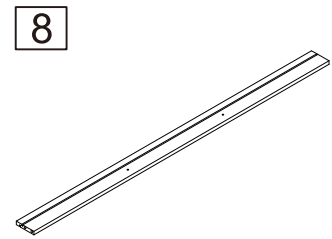
(76\*5\*1.8cm) x1



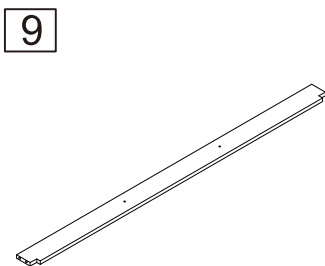
(15\*33.9\*1.5cm) x1



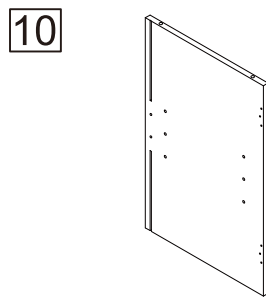
(15\*33.9\*1.5cm) x1



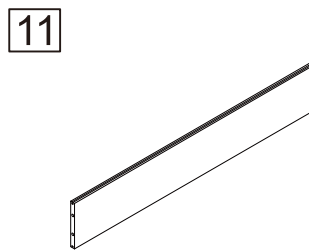
(1446\*8.4\*1.5cm) x1



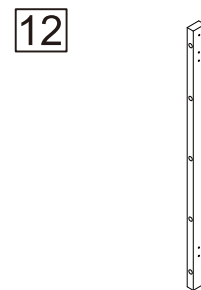
(1446\*8.4\*1.5cm) x1



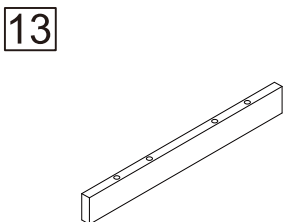
(59.5\*38.4\*1.5cm) x1



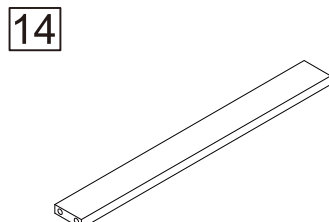
(94.2\*15.4\*1.5cm) x1



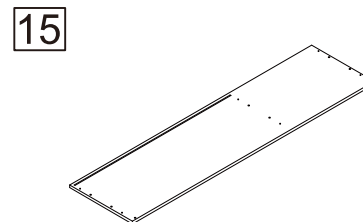
(55\*2.8\*1.5cm) x1



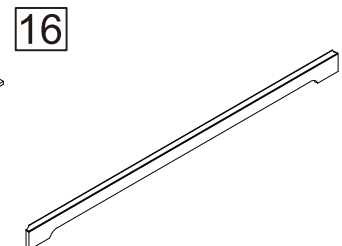
(37.8\*4.5\*1.5cm) x1



(48.8\*5.2\*1.5cm) x1



(148.3\*38.4\*1.5cm) x1

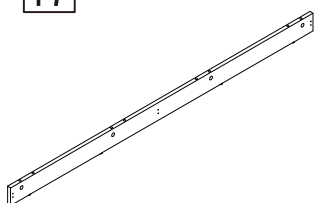


(151.4\*9\*1.5cm) x1

# Components - Panels

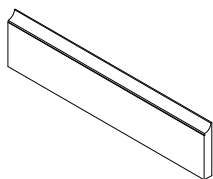
Please check you have all the fittings listed below

17



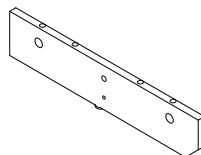
(148.2\*7.5\*1.5cm)x1

18



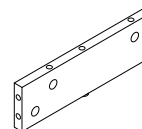
(38.5\*9\*1.5cm) x2

19



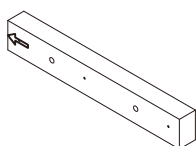
(37\*7.5\*1.5cm) x1

20



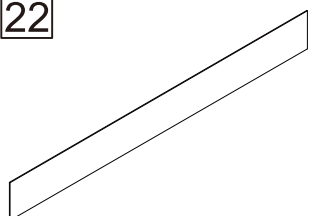
(25\*7.5\*1.5cm) x1

21



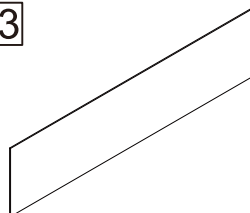
(33.6\*5\*3cm) x1

22



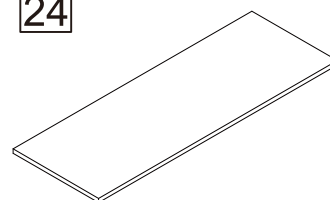
(95.3\*23.1\*0.3cm)x1

23



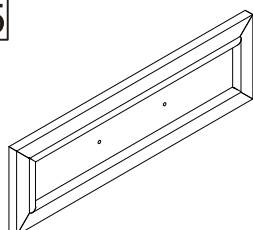
(95.3\*23.1\*0.3cm) x2

24



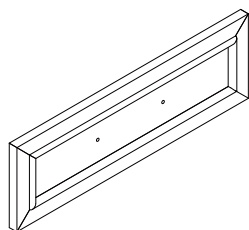
(93.5\*33.4\*1.5cm) x1

25



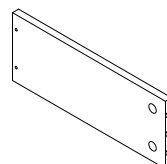
(46.3\*14.3\*1.5cm)x1

26



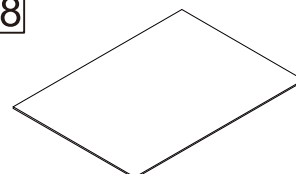
(45.4\*14.3\*1.5cm) x1

27



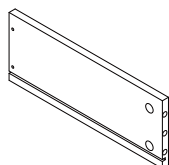
(30\*11.5\*1.2cm) x3

28



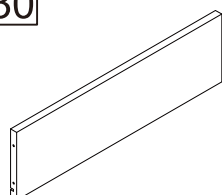
(41.3\*29.8\*0.3cm) x3

29



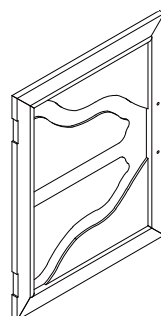
(30\*11.5\*1.2cm) x3

30



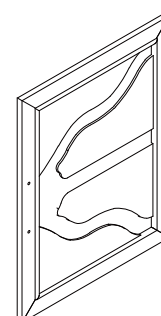
(40.2\*11.5\*1.2cm) x3

31



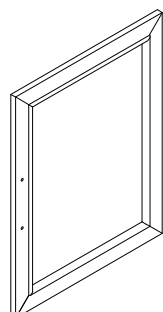
(58.8\*45.1\*2.1cm) x1

32



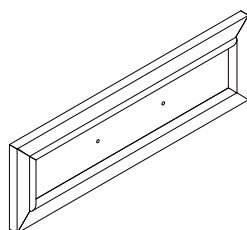
(58.8\*45.1\*2.1cm) x1

33



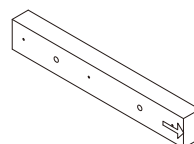
(58.6\*44.9\*2.1cm) x1

34



(45.4\*14.3\*1.5cm) x1

35



(33.6\*5\*3cm) x1

# Components - Fittings

Please check you have all the fittings listed below

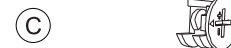
**Note:** The quantities below are the correct amount to complete the assembly. In some cases more fittings may be supplied than are required.



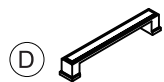
Cam Bolt x 65+4



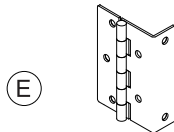
6\*30mm Wooden Dowel x 44+4



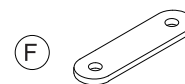
Cam Lock x 65+4



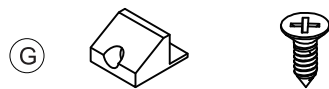
Handle x 6



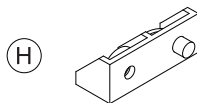
Hinge x 4



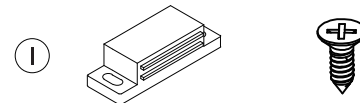
Sheet iron x 3



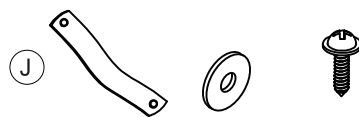
Ø2.9×18mm Screw x11  
Plastic Connector x11



Plastic Connector x8



Ø3.5×12mm Screw x4  
Magnet x2



2X+4X  
Ø3.5×16mm Screw x 2



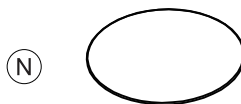
2X+2X



Shelf Pin x5



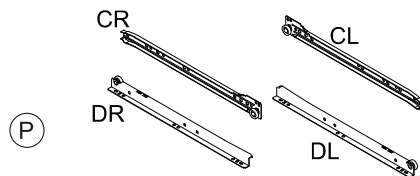
Ø3.5×16mm Screw x 36+3



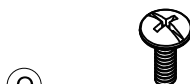
Beauty Patch x65



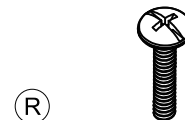
Ø3.5×30mm Screw x19+1



Side rail x 3



Ø5/32"×10mm Screw x 6



5/32"×20mm Screw x 6



Ø2.9×15mm Screw x 28+2



Plastic Connector x 6

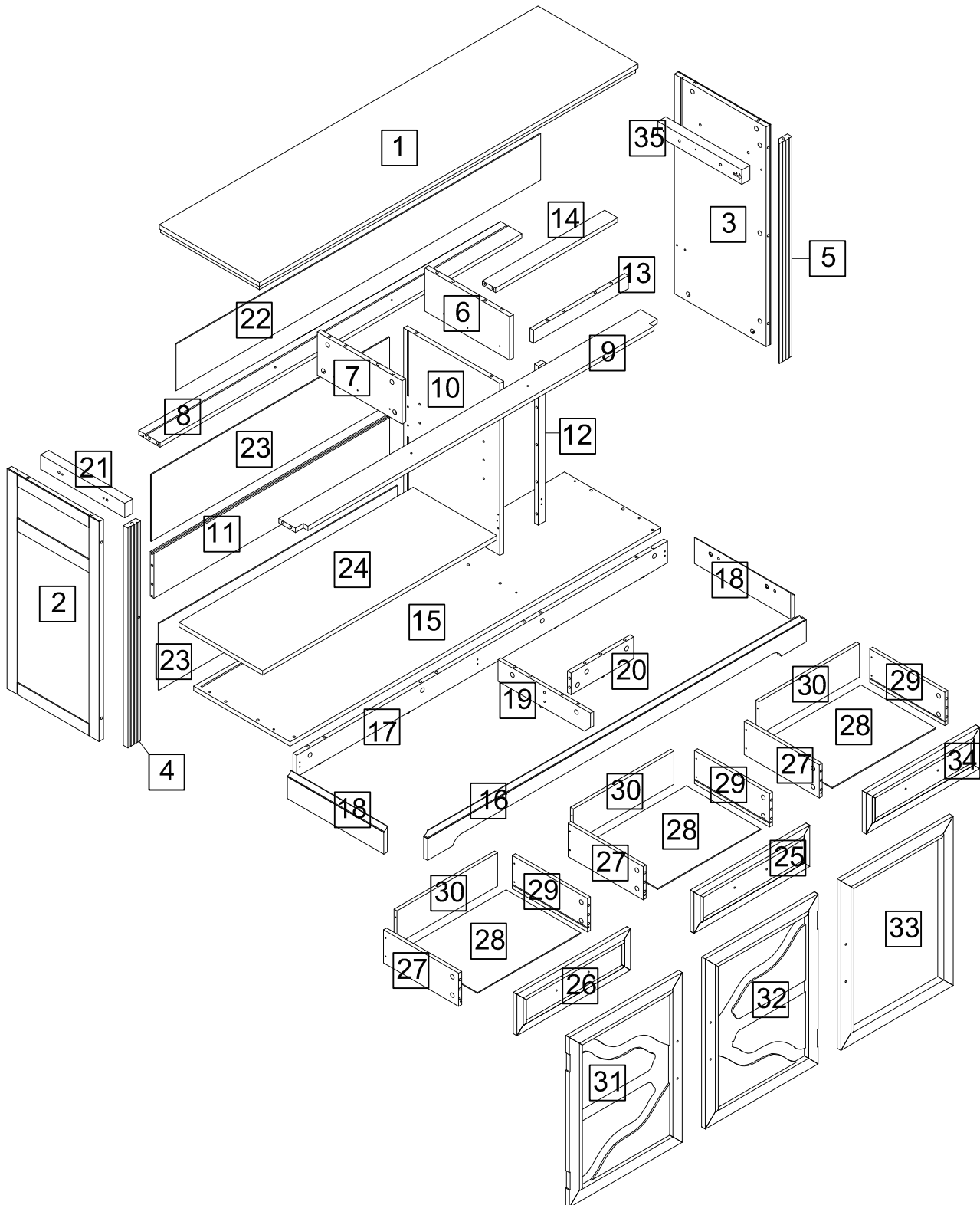


Ø3.9×15mm Screw x 30+3



Ø1/4"×12mm Screw x16+1

# Assembly Instructions



# A Guide to Wall Mounting & Fixings

## Important note:

If plastic wall plugs (rawl plugs) are supplied with your product, e.g.:



- these are only suitable for use in masonry walls.

If you are in any doubt about the correct wall plugs for your wall, seek professional advice.


Failure of the product due to using the incorrect fixings is the responsibility of the installer.



**Important:** when drilling into walls always check that there are no hidden wires or pipes etc.

Make sure that the screws and wall plugs being used are suitable for **supporting your unit**. **Consult a qualified tradesperson if you are unsure.**

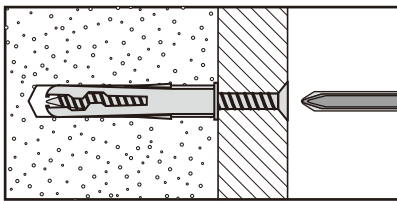
Hints:

- 1: General rule:  always use a larger screw and wall plug if you are not sure.
- 2: Ensure you use the recommended drill bit to match the wall plug and hole size.
- 3: Ensure you drill the hole horizontally; do not force the drill or enlarge the hole.
- 4: Take extra care when drilling high walls, ceilings and ceramic tiles. Ensure wall plugs are inserted beyond the thickness of the ceramic tiles to avoid the tiles splitting or cracking.
- 5: Ensure wall plugs are well fitted and are a tight fit in the drilled hole.

## Types of walls

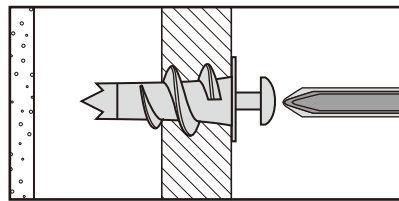
You can use one of the following types of wall plug if your walls are made of brick, breeze block, concrete, stone or wood.

No.1 "General Purpose" wall plug



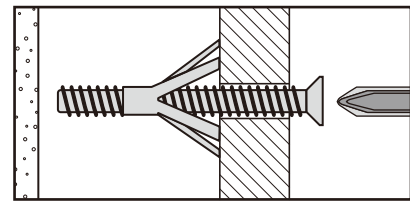
Generally aerated blocks should not be used to support heavy loads, use a specialist fitting in this case. For light loads, general purpose wall plugs can be used.

No.2 "Plasterboard" wall plug



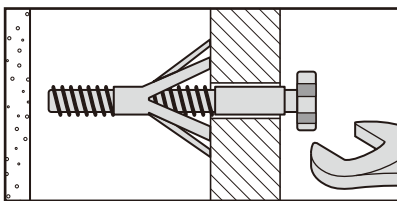
For use when attaching light loads onto plasterboard partitions.

No.3 "Cavity Fixing" wall plug



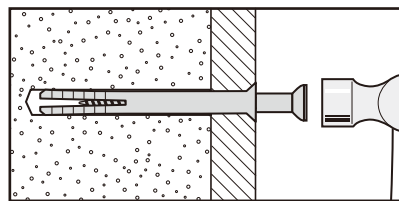
For use with plasterboard partitions or hollow wooden doors.

No.4 "Cavity Fixing – Heavy Duty" wall plug



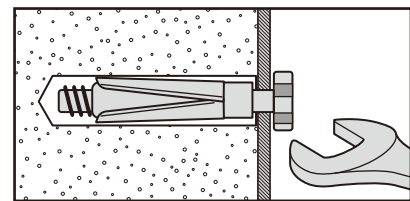
For use when fitting or supporting heavy loads such as shelving, wall cabinets and coat racks.

No.5 "Hammer Fixing" wall plug



For use with walls stuck with plasterboard. The hammer fixing allows it to be fixed to the wall rather than the plasterboard. Always check the fixing is secure to the retaining wall.

No.6 "Shield Anchor" wall plug – heavy loads



For use with heavier loads such as TV and HiFi speakers and satellite dishes etc.



## Care & Maintenance

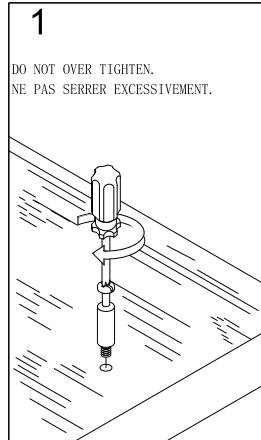
**Safety:** always check the fitting and location to ensure your safety in and around the home.

**Fitting:** from time to time check the fitting to ensure the wall plugs or screws do not become loose.

# Using Camlocks

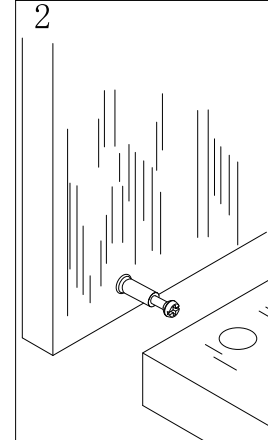
## Step 1

Connect the male camlock as directed in the assembly instructions using a screwdriver.



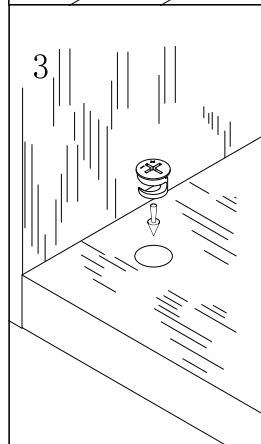
## Step 2

Push the male camlock into the entry hole.



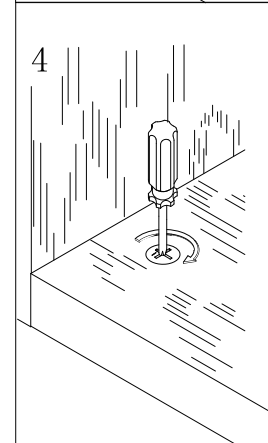
## Step 3

Insert the female camlock as shown in the instructions.  
Note: ensure that the arrow on the top of the camlock points towards the entry hole for the male camlock.



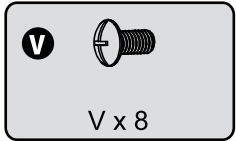
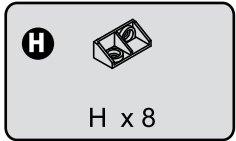
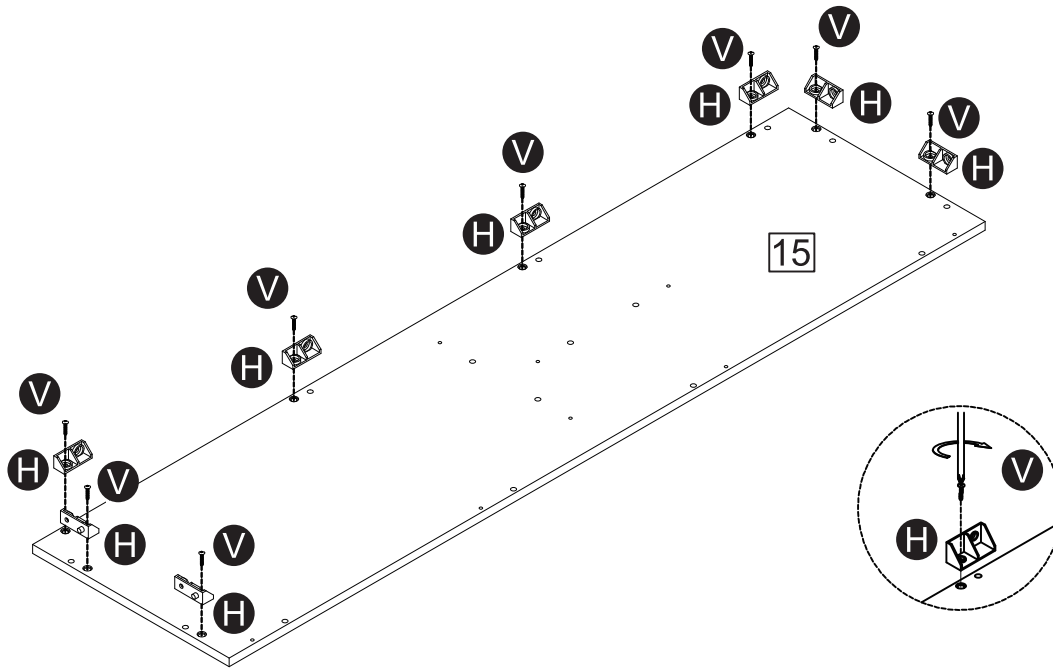
## Step 4

Turn the female camlock clockwise with a screwdriver.  
You should feel a click when the camlock is locked in place.  
The joint is now secure.

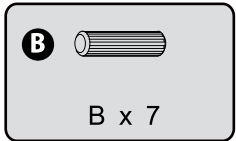
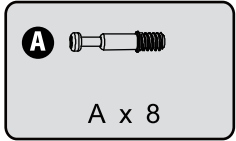
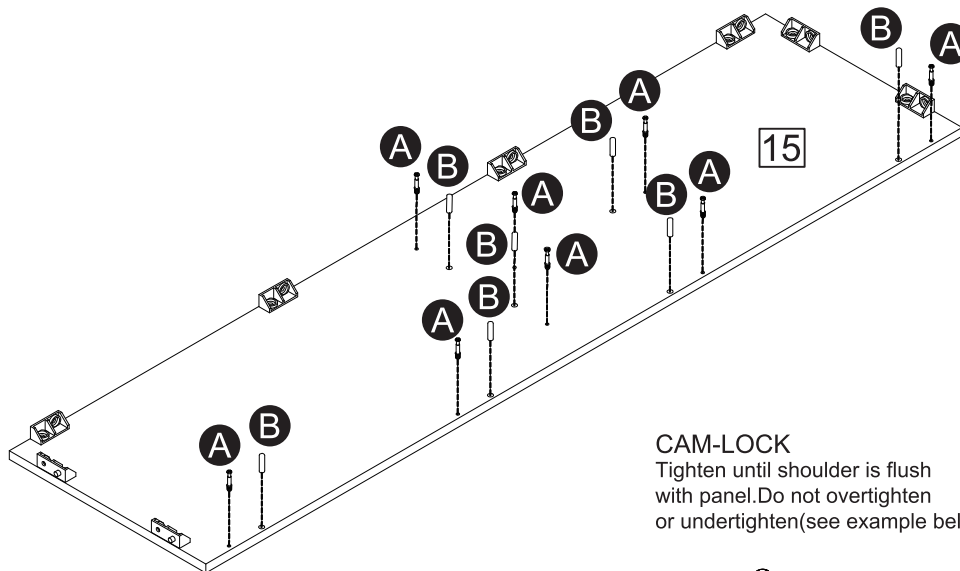


# Assembly Instructions

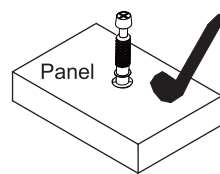
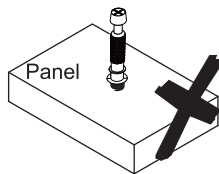
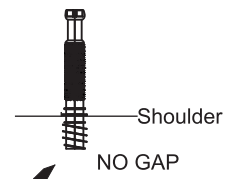
## Step 1



## Step 2



**CAM-LOCK**  
Tighten until shoulder is flush with panel. Do not overtighten or undertighten (see example below)



# Assembly Instructions

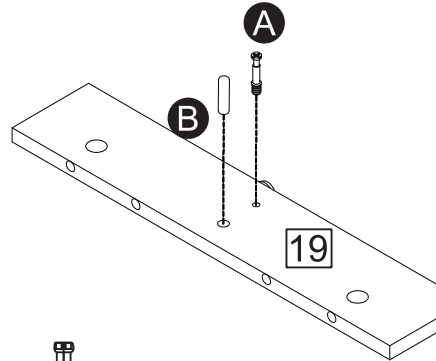
## Step 3



A x 1

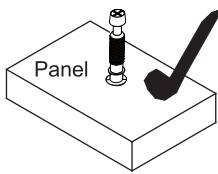
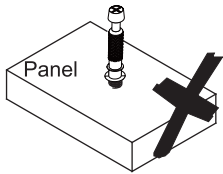
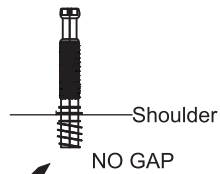


B x 1



### CAM-LOCK

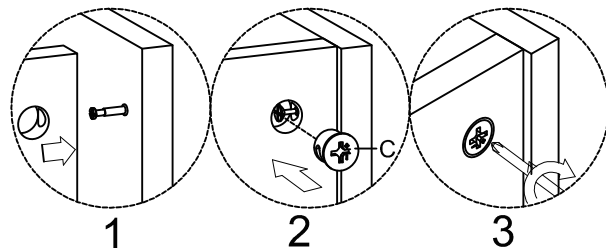
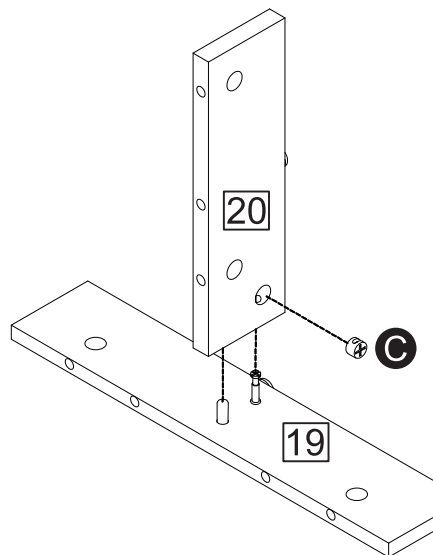
Tighten until shoulder is flush with panel. Do not overtighten or undertighten (see example below)



## Step 4

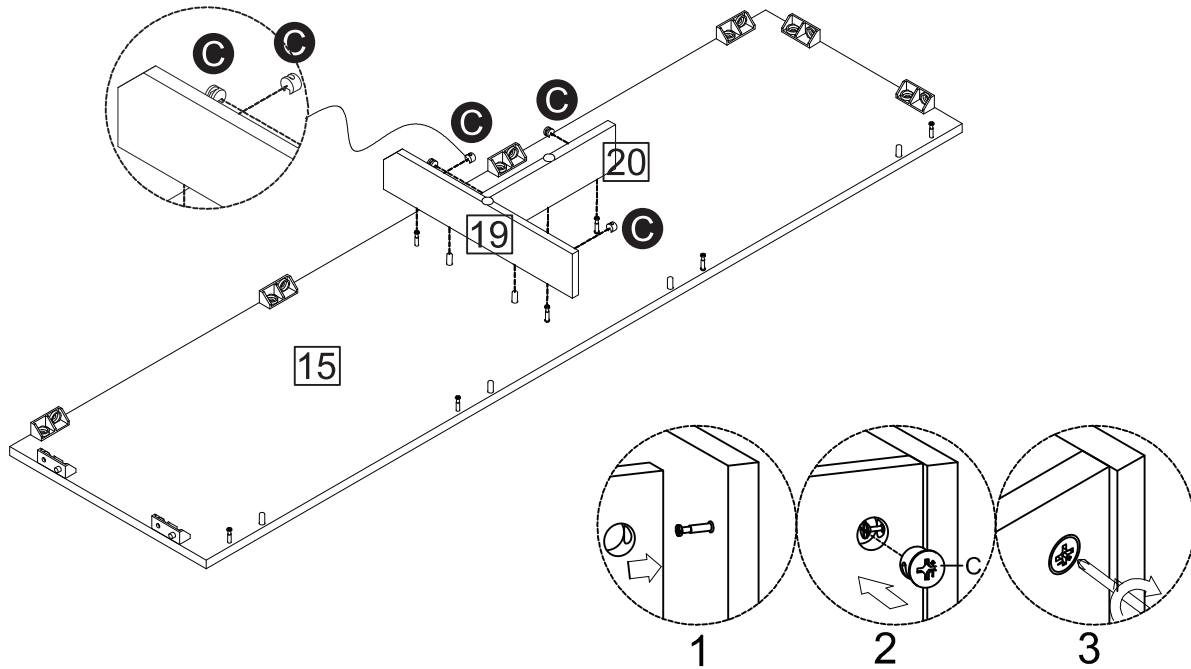


C x 1

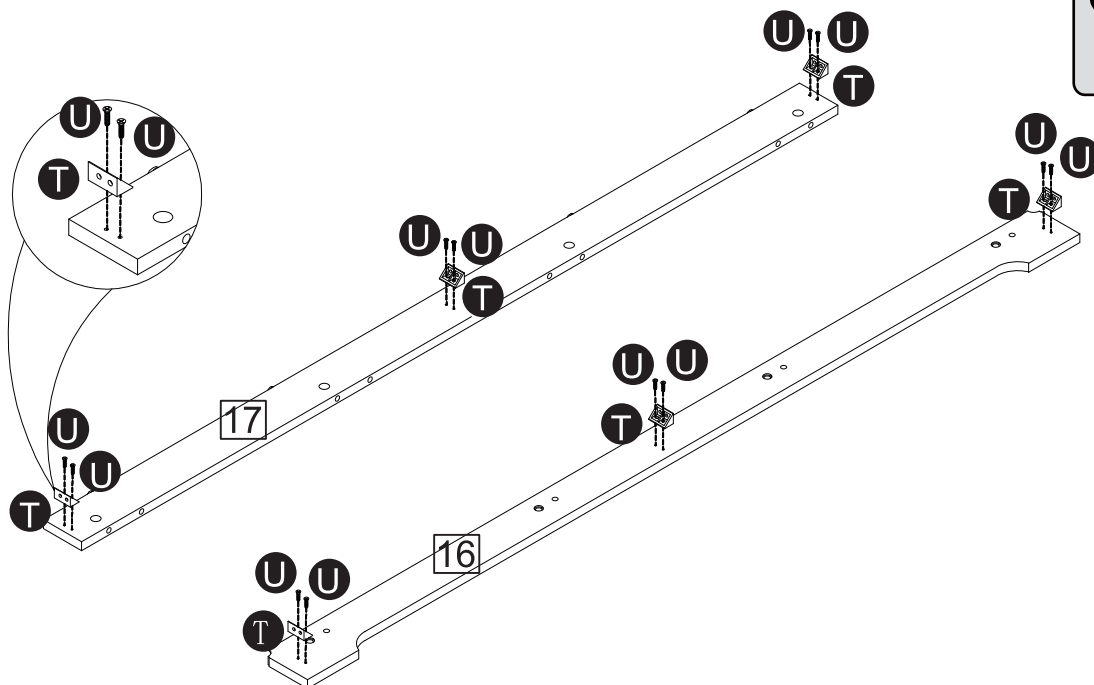
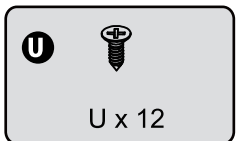


# Assembly Instructions

## Step 5

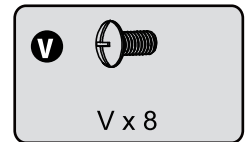
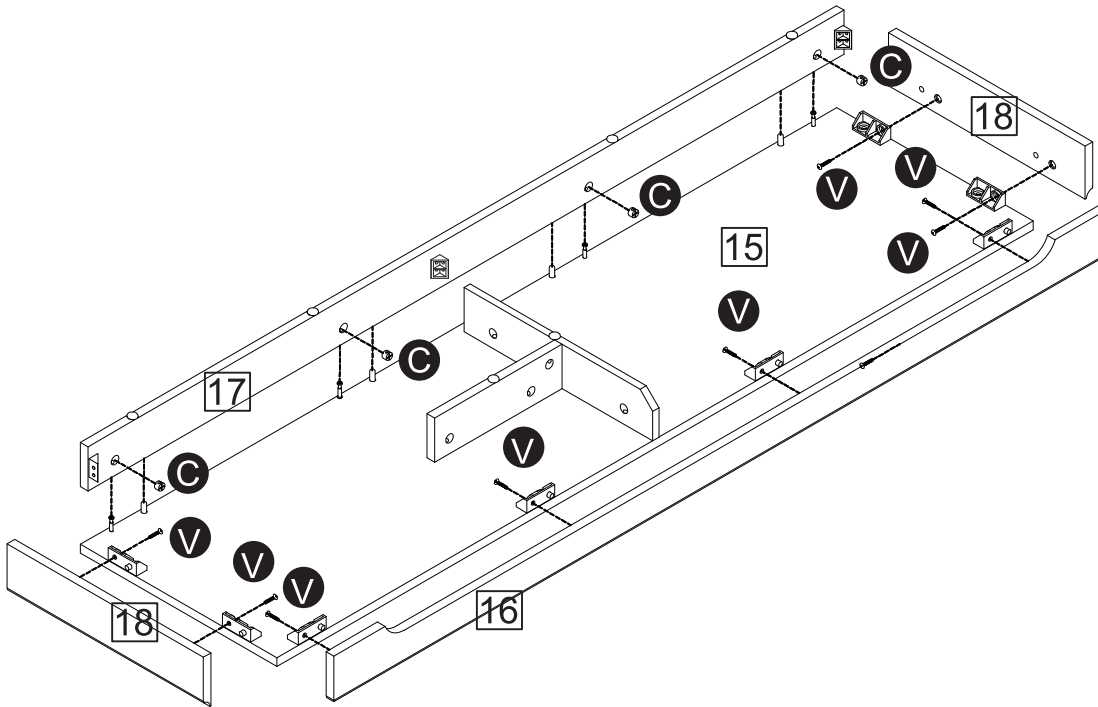


## Step 6

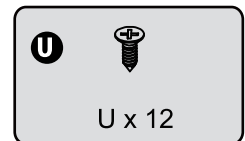
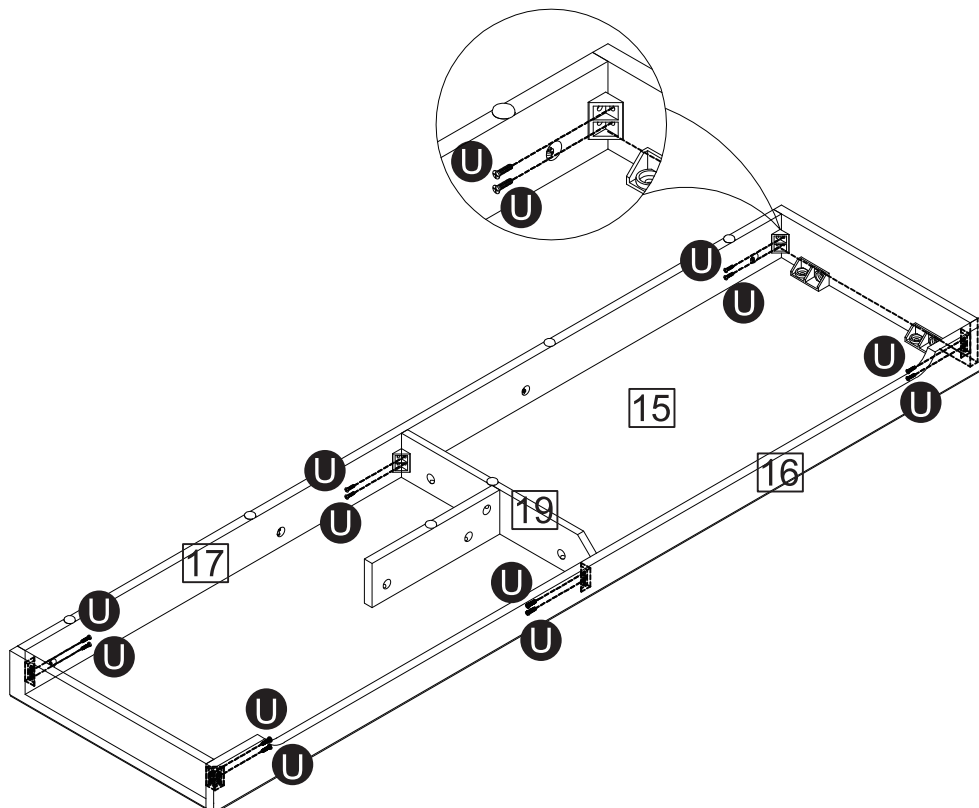


# Assembly Instructions

## Step 7

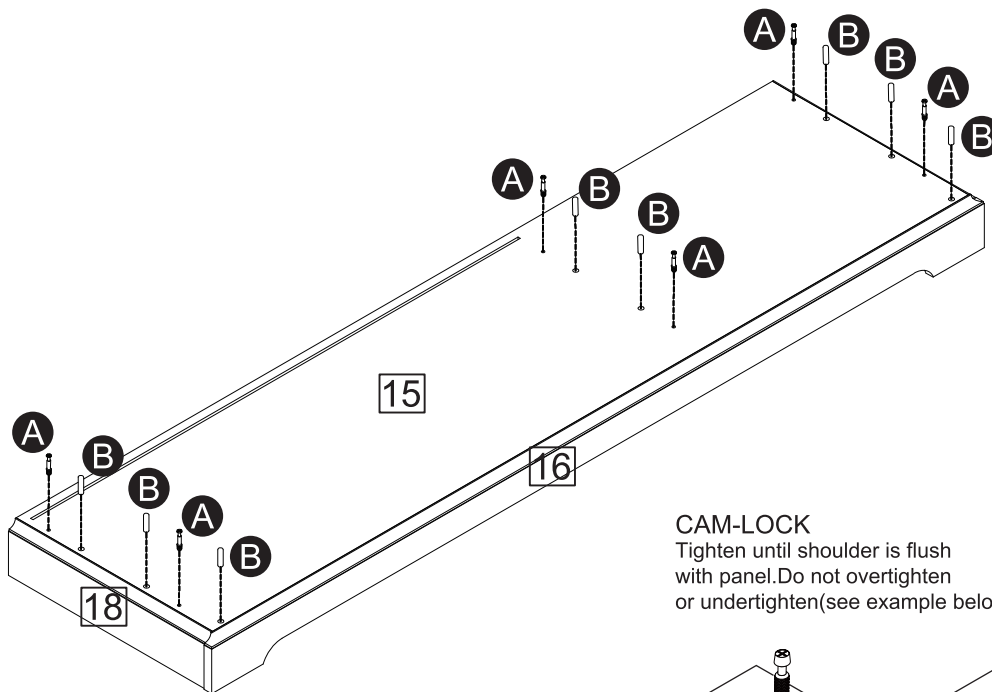


## Step 8



# Assembly Instructions

## Step 9

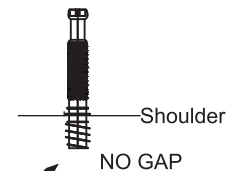
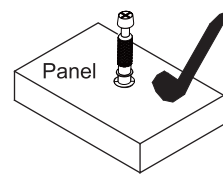
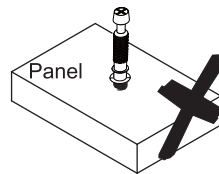


A x 6

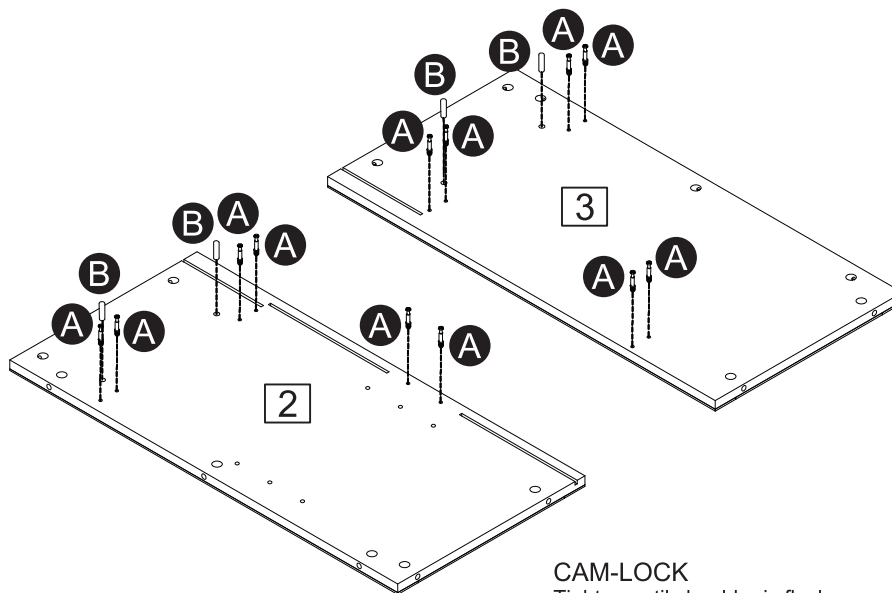


B x 8

**CAM-LOCK**  
Tighten until shoulder is flush with panel. Do not overtighten or undertighten (see example below)



## Step 10

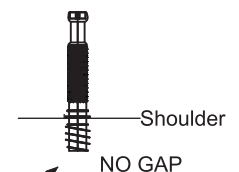
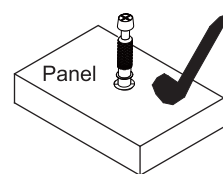
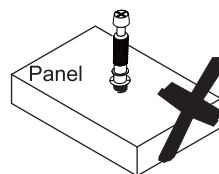


A x 12



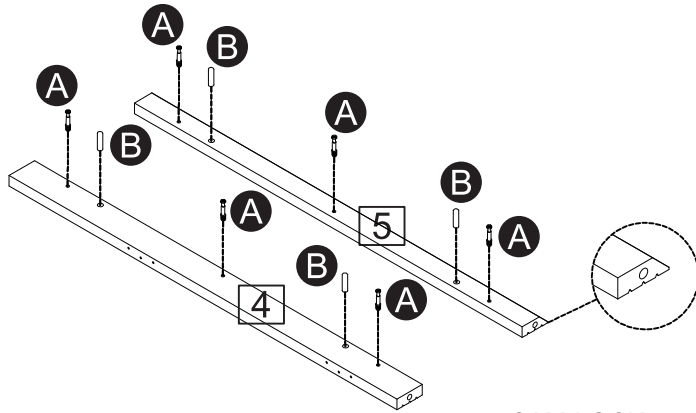
B x 4

**CAM-LOCK**  
Tighten until shoulder is flush with panel. Do not overtighten or undertighten (see example below)



# Assembly Instructions

## Step 11

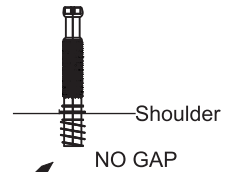
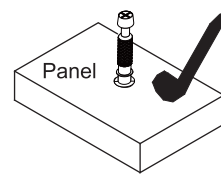
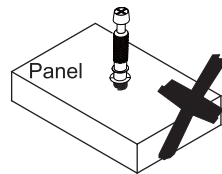


A x 6

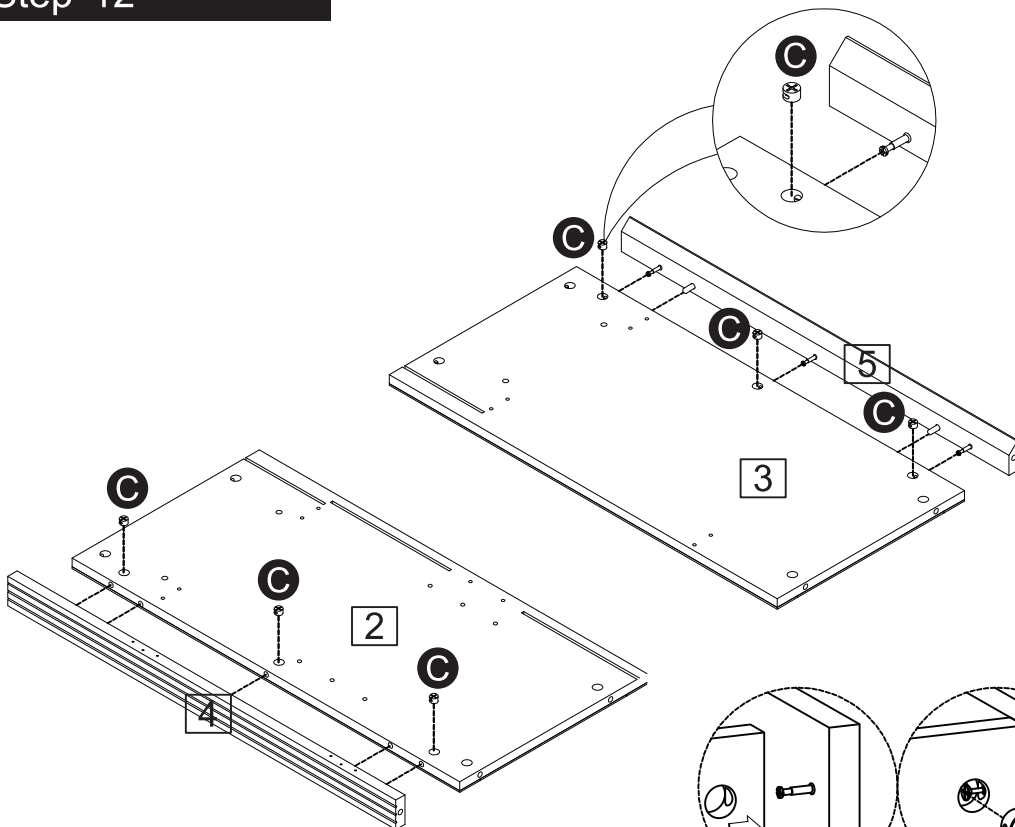


B x 4

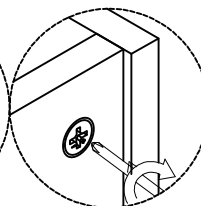
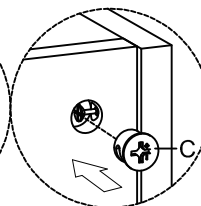
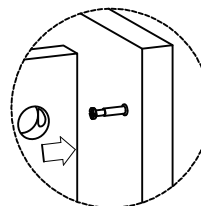
**CAM-LOCK**  
Tighten until shoulder is flush with panel. Do not overtighten or undertighten (see example below)



## Step 12



C x 6



1

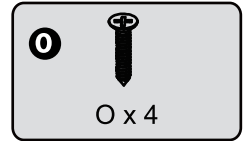
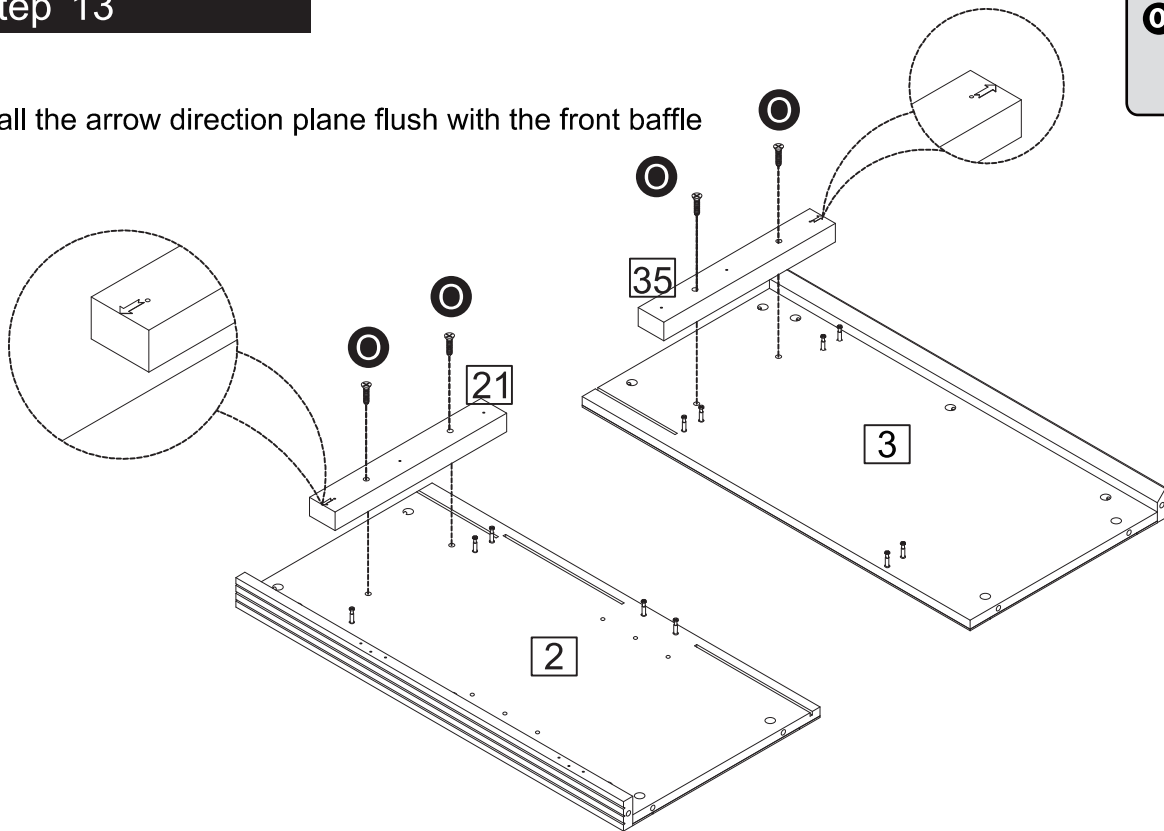
2

3

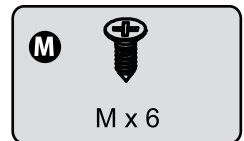
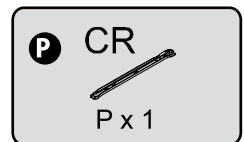
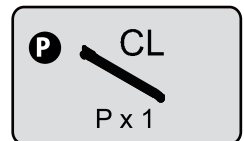
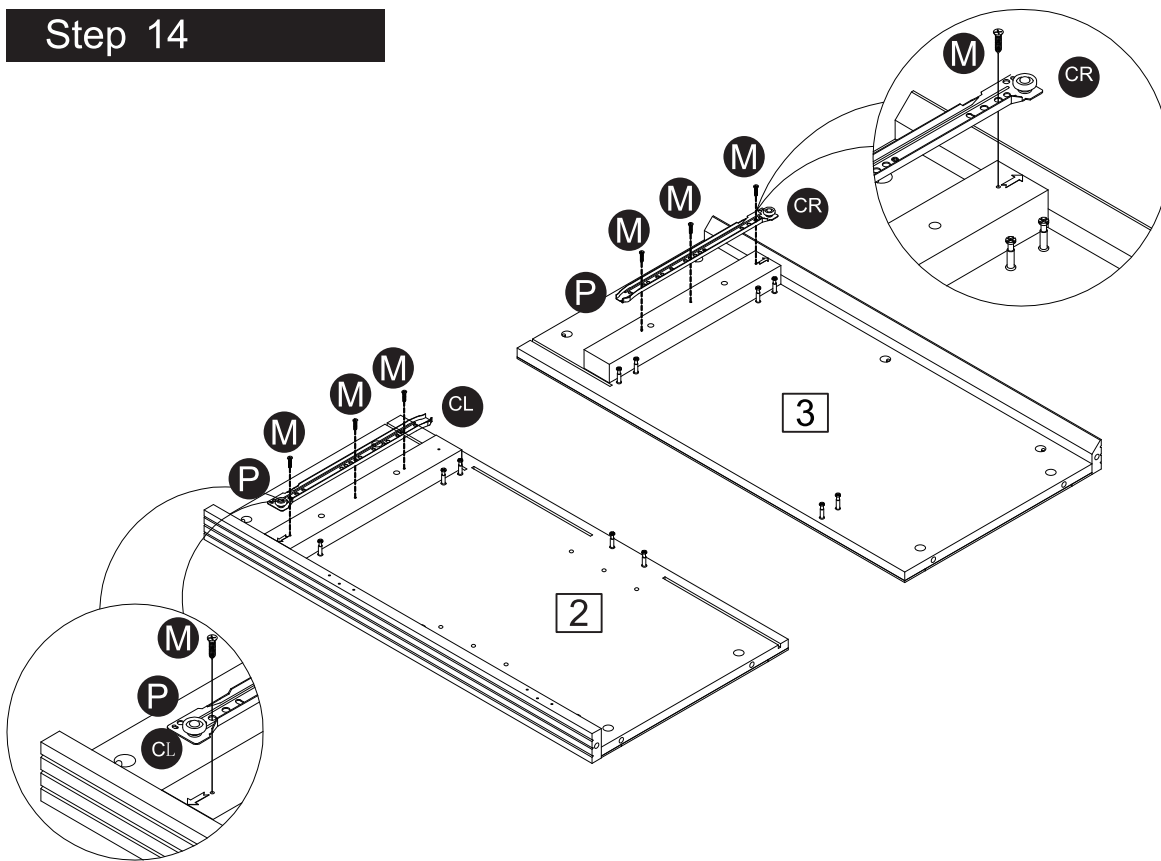
# Assembly Instructions

## Step 13

Install the arrow direction plane flush with the front baffle



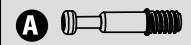
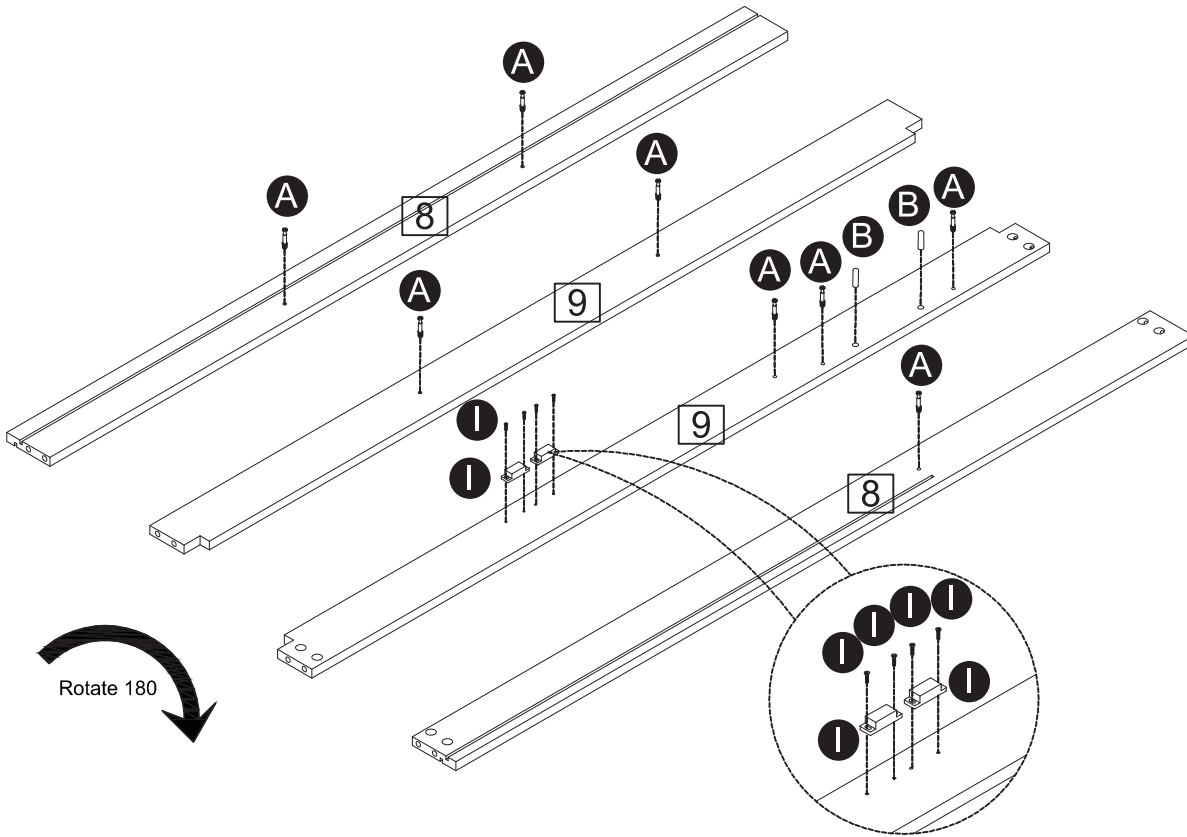
## Step 14



Install according to the holes marked with this arrow

# Assembly Instructions

## Step 15



A x 8



B x 2

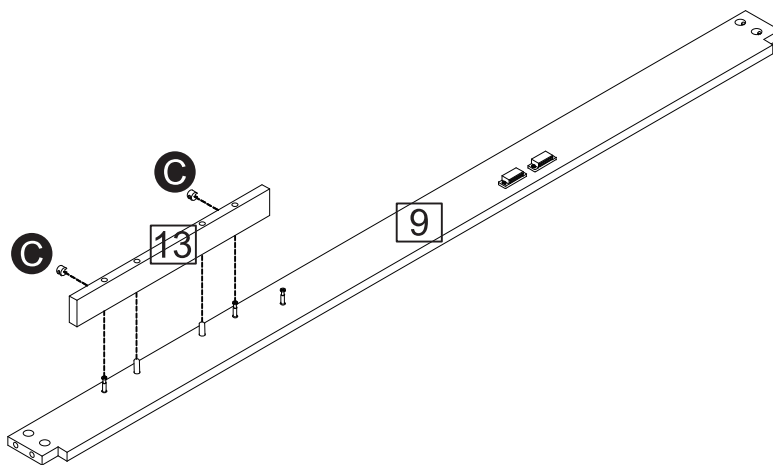


I x 2

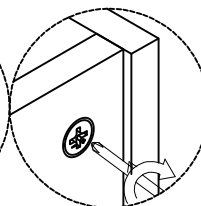
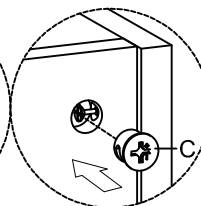
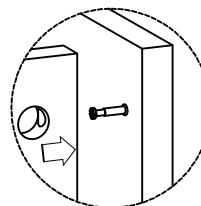


I x 4

## Step 16

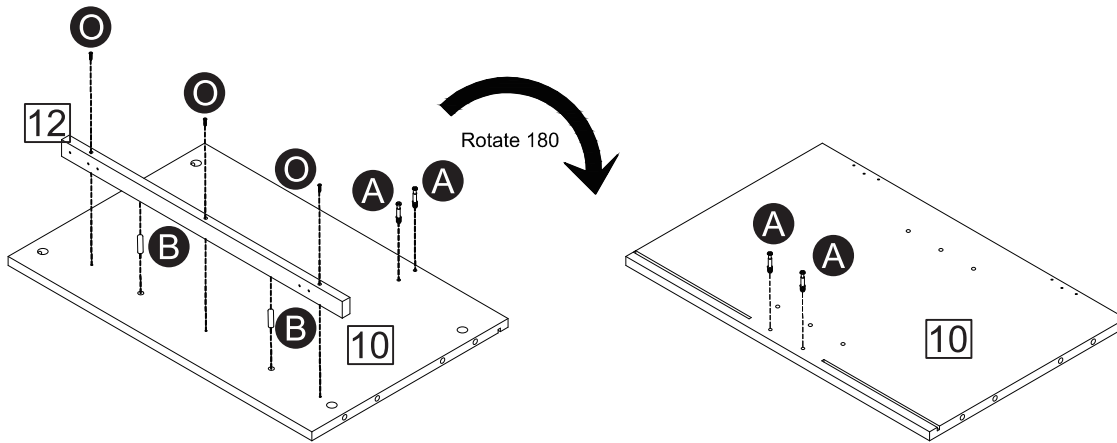


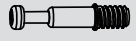


C x 2



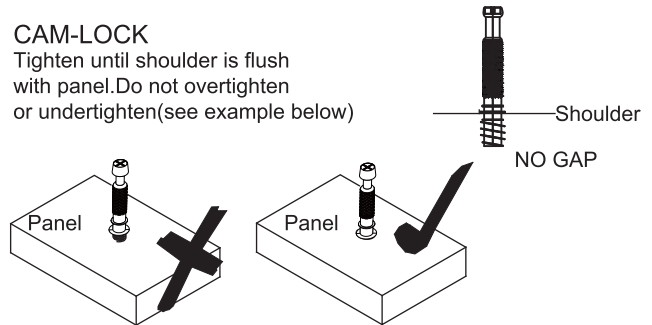
# Assembly Instructions

## Step 17

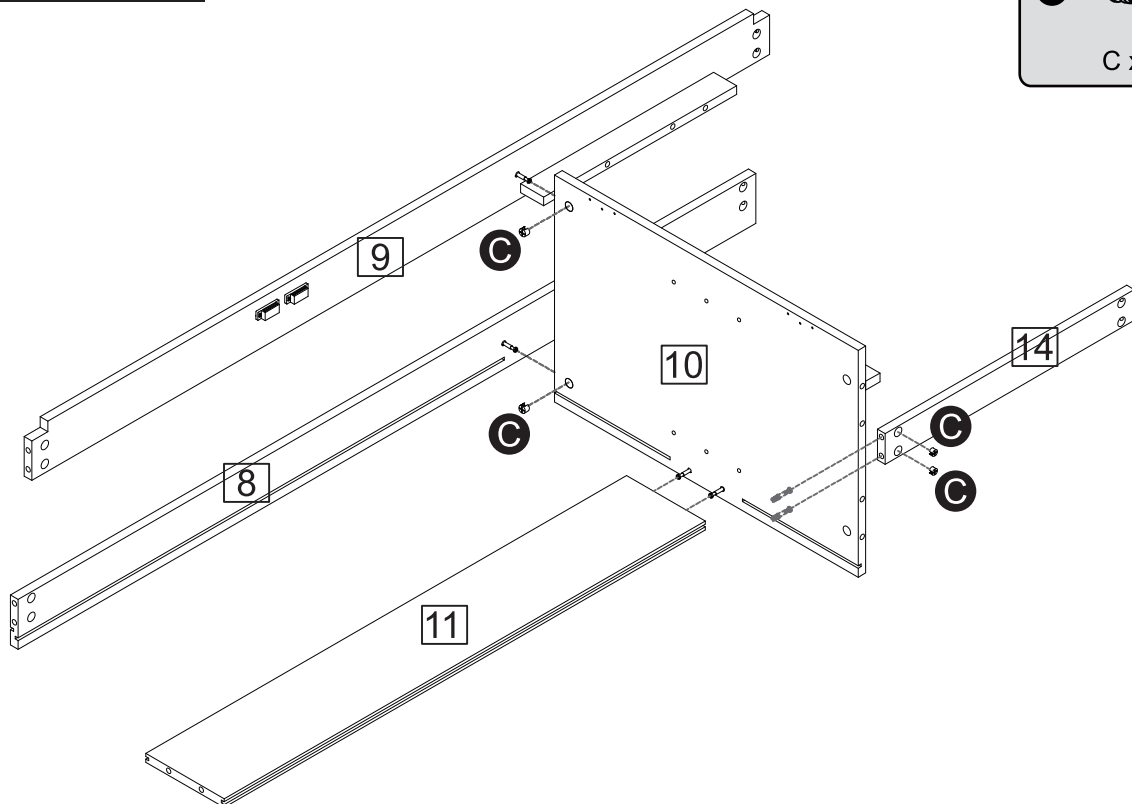



- A**  A x 4
- B**  B x 2
- O**  O x 3

**CAM-LOCK**  
Tighten until shoulder is flush with panel. Do not overtighten or undertighten (see example below)



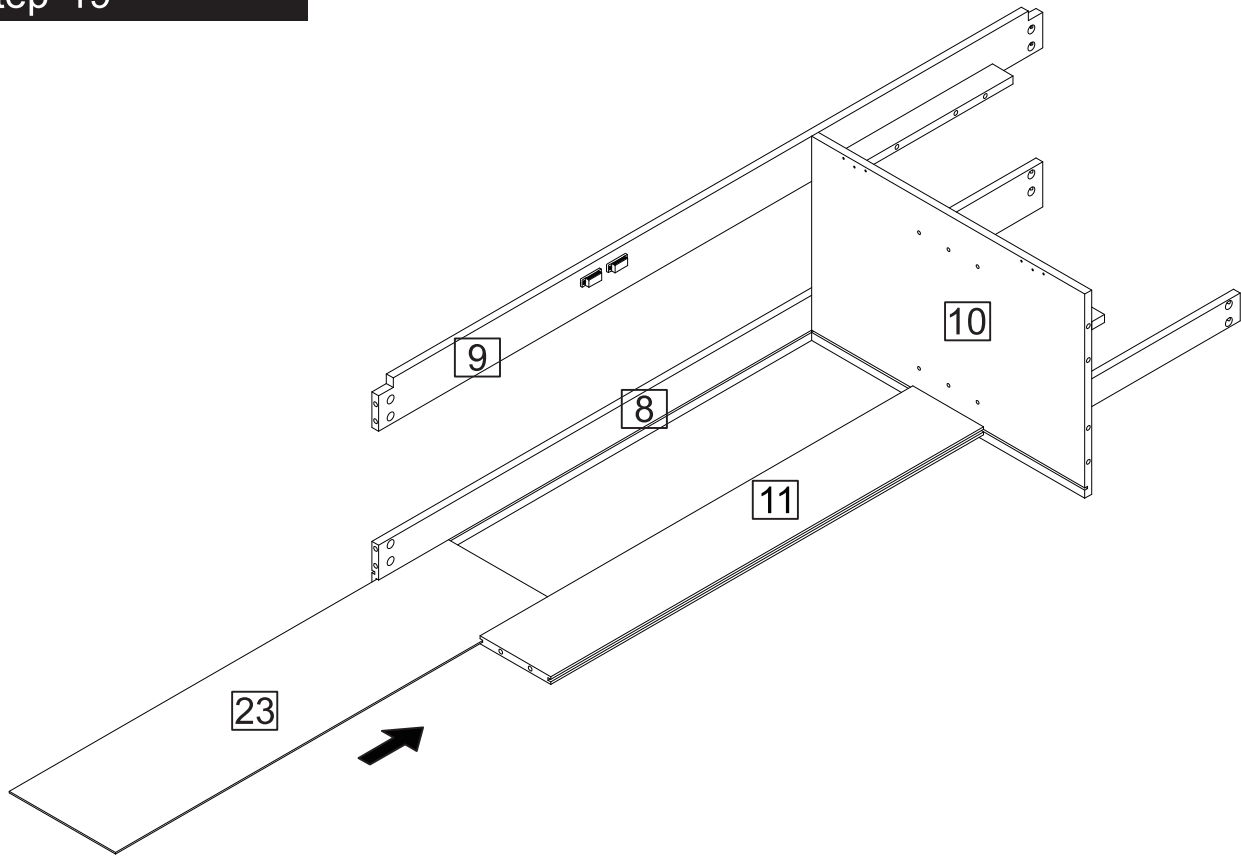
## Step 18



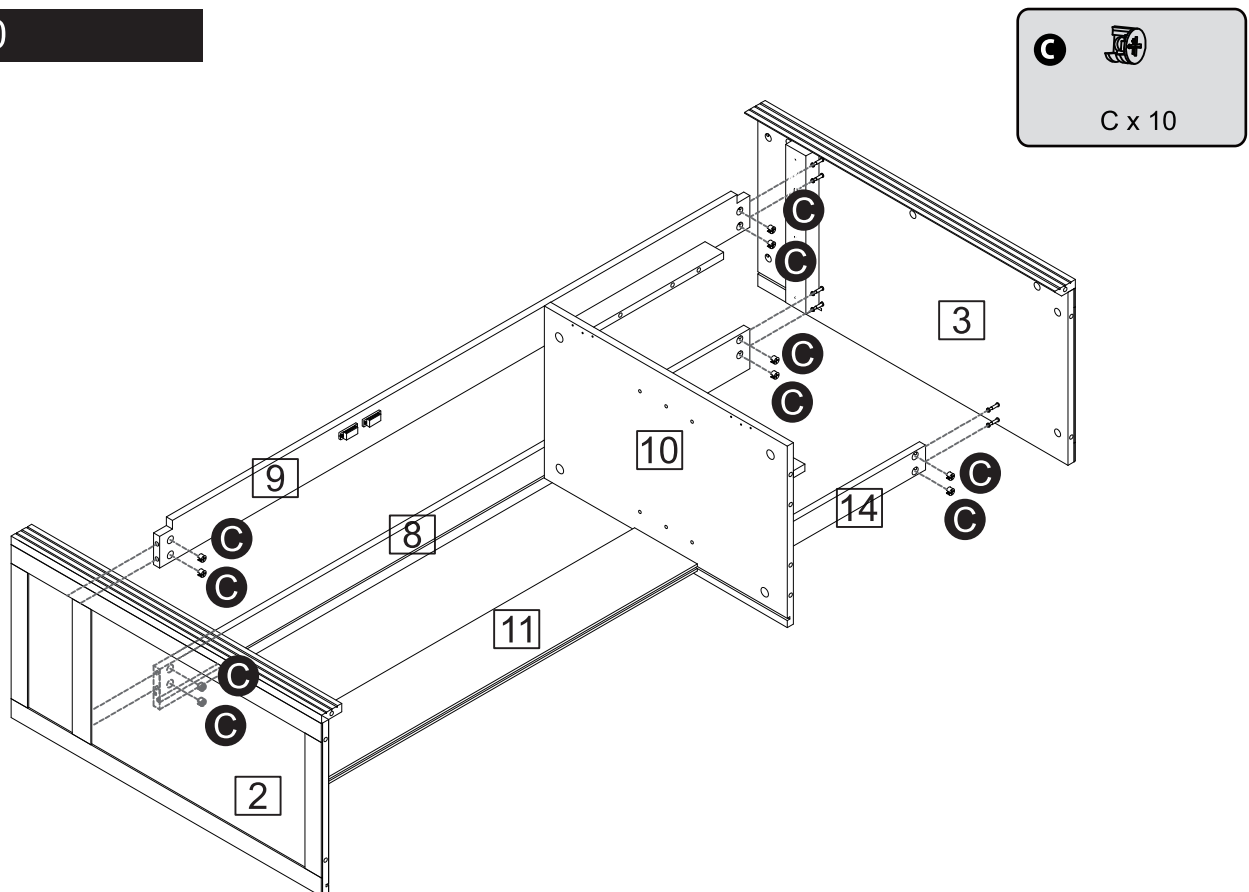
- C**  C x 4

# Assembly Instructions

## Step 19

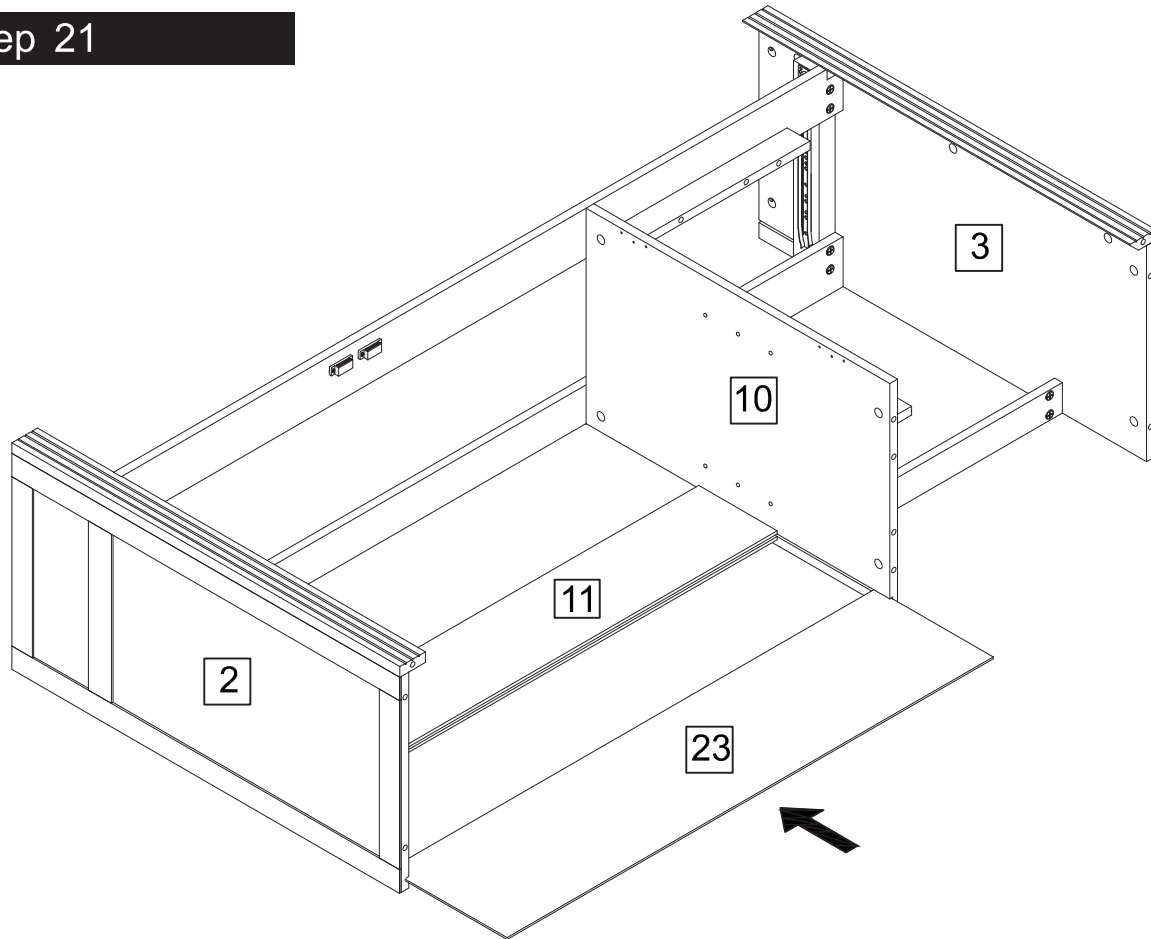


## Step 20

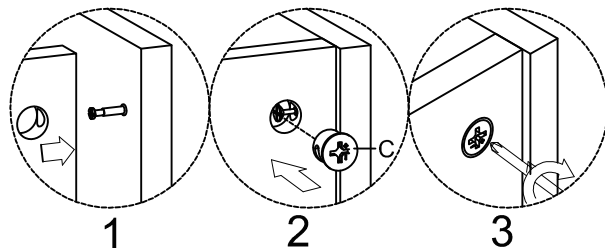
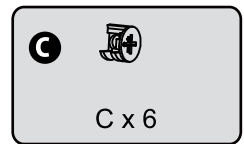
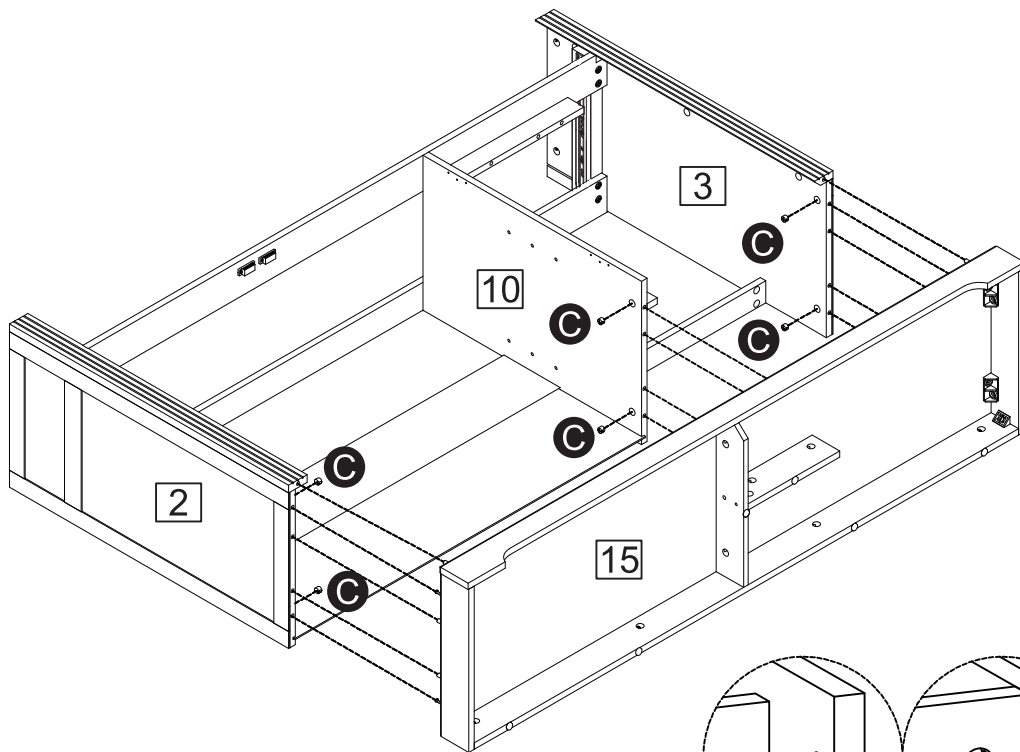


# Assembly Instructions

## Step 21

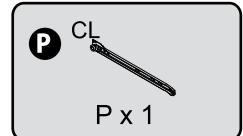
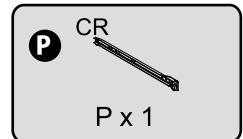
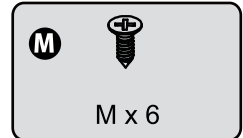
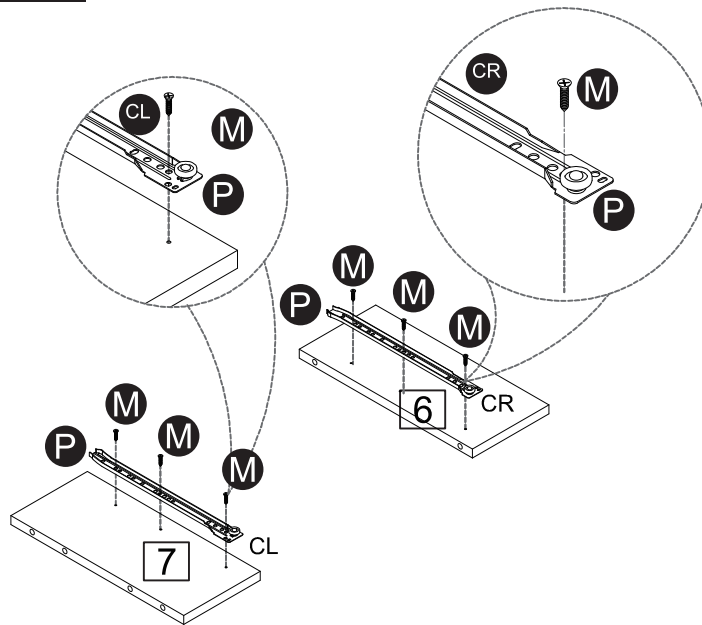


## Step 22



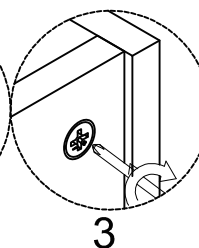
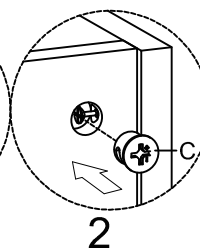
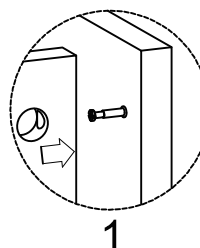
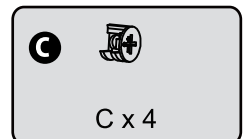
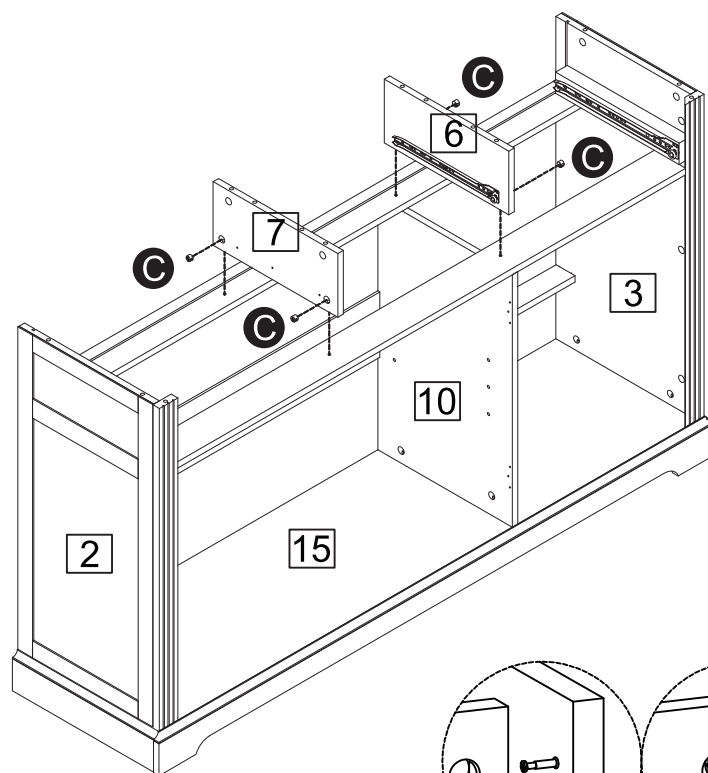
# Assembly Instructions

## Step 23



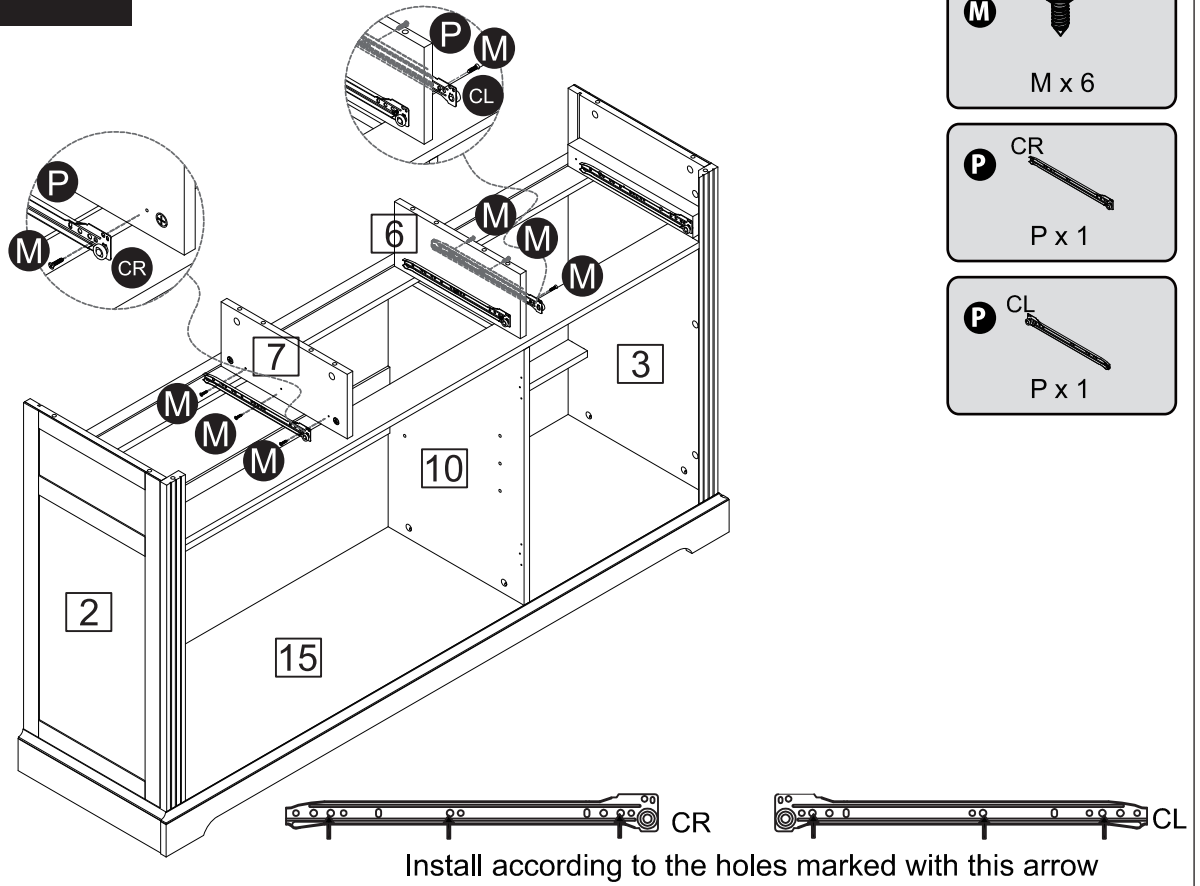
Install according to the holes marked with this arrow

## Step 24

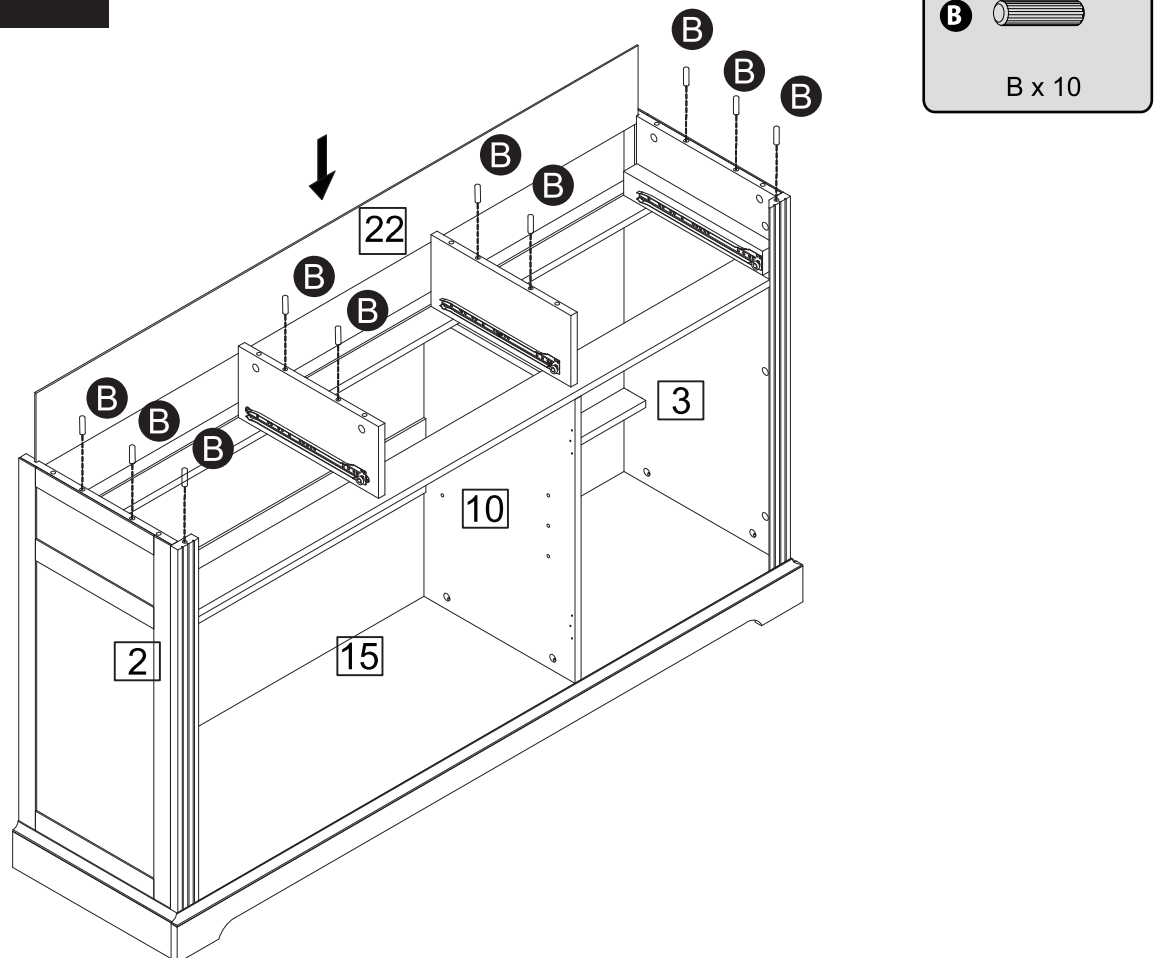


# Assembly Instructions

## Step 25

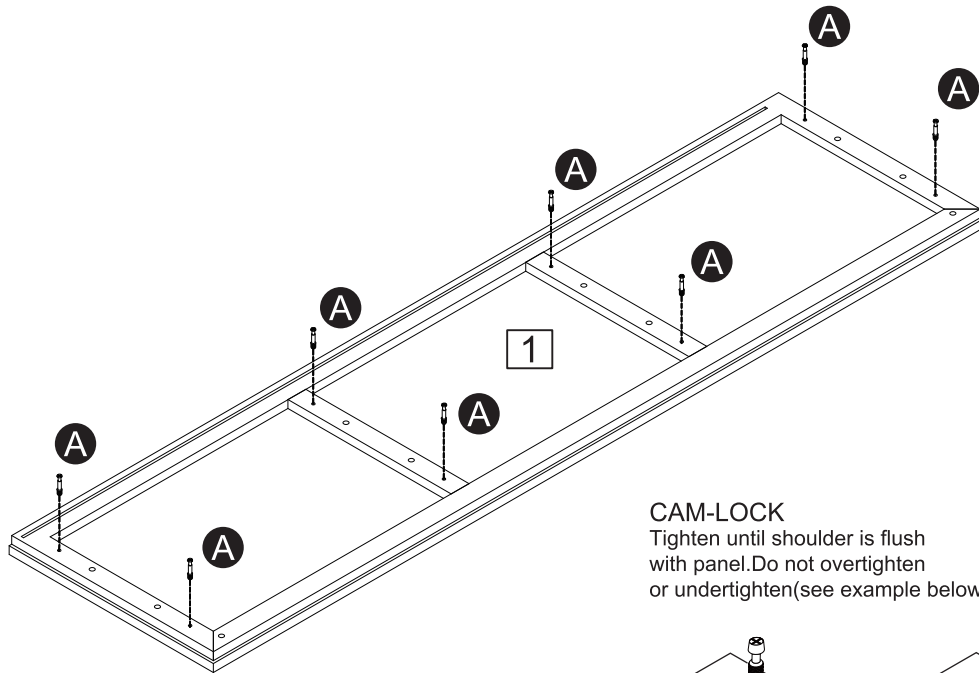
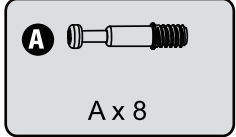


## Step 26

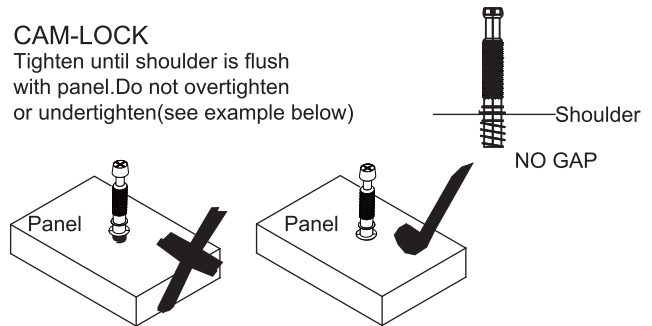


# Assembly Instructions

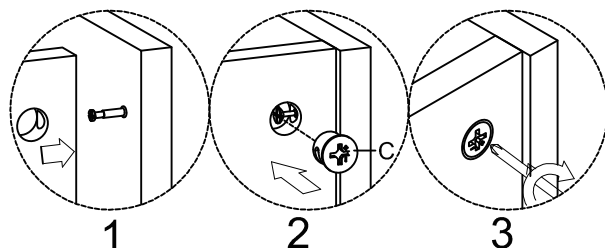
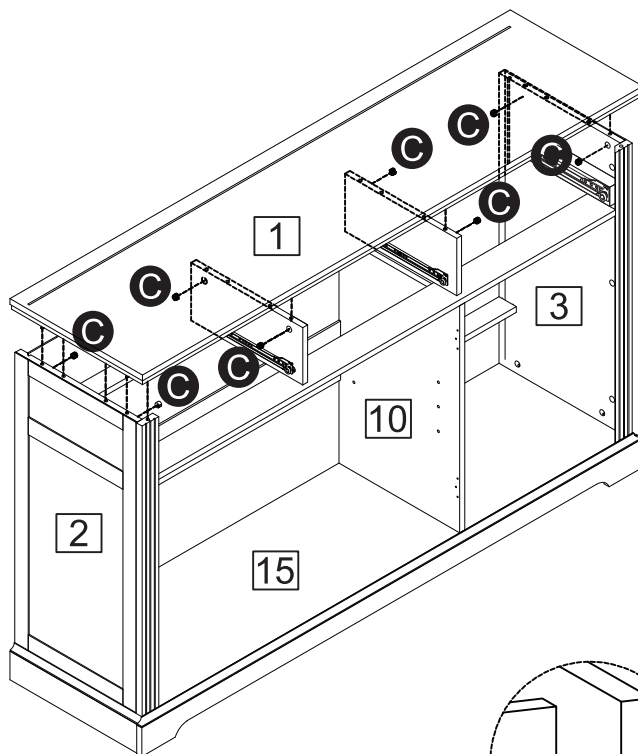
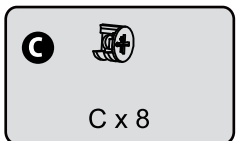
## Step 27



**CAM-LOCK**  
Tighten until shoulder is flush with panel. Do not overtighten or undertighten (see example below)

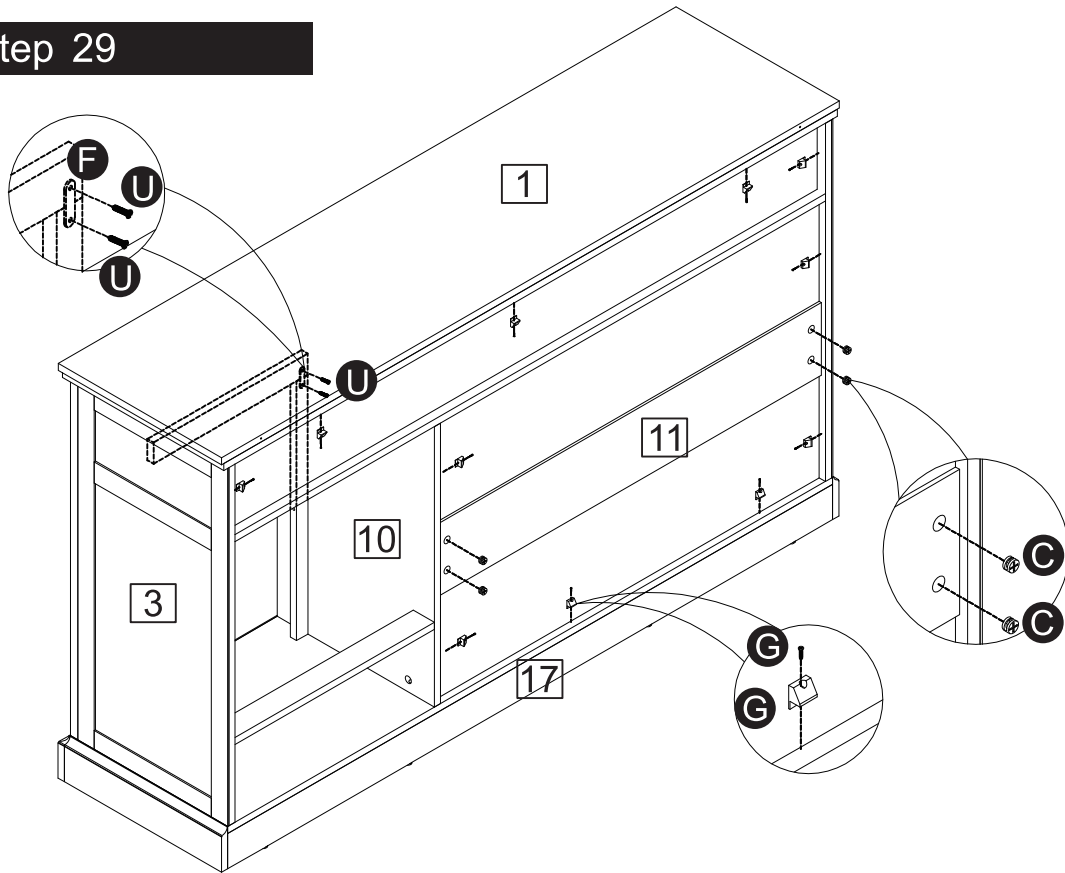







## Step 28



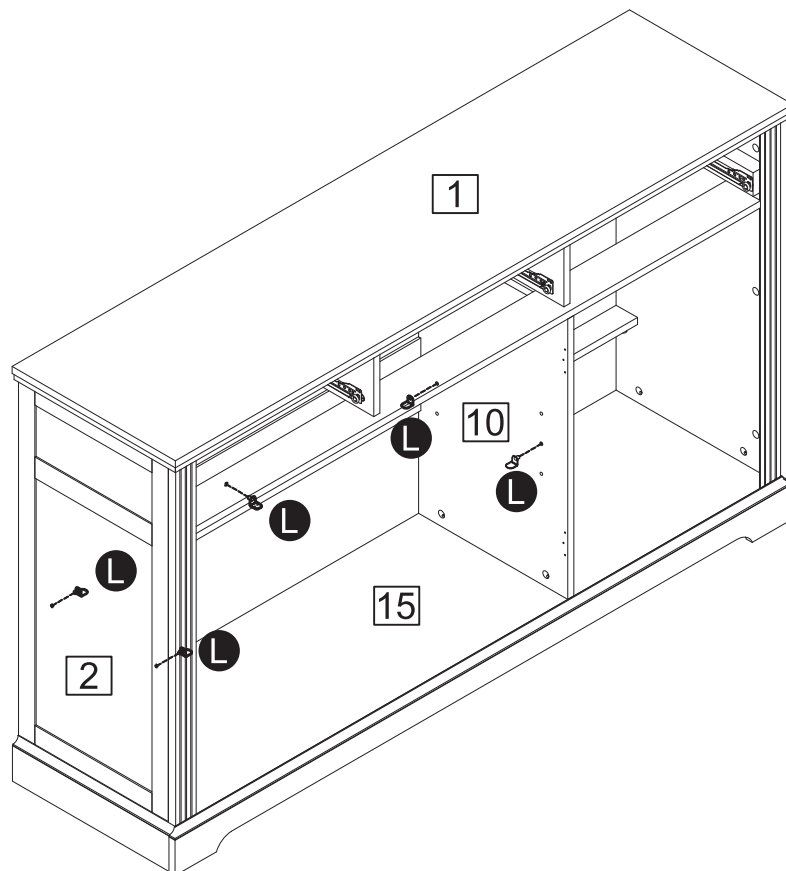
# Assembly Instructions


## Step 29



- U**  U x 2
- F**  F x 1
- C**  C x 4
- G**  G x 11
- G**  G x 11

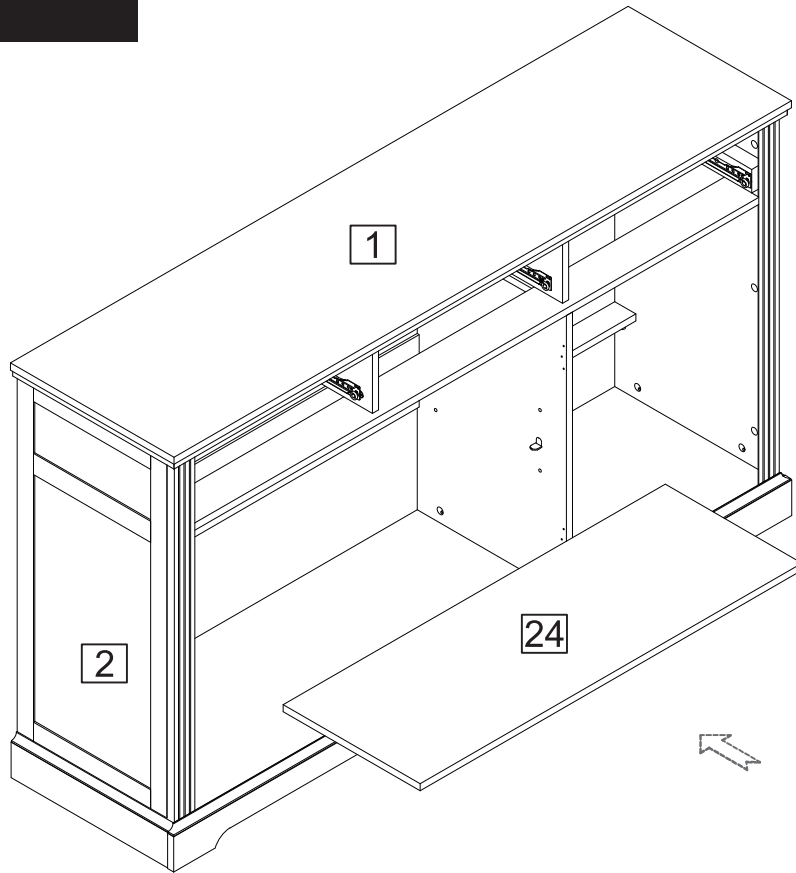
## Step 30



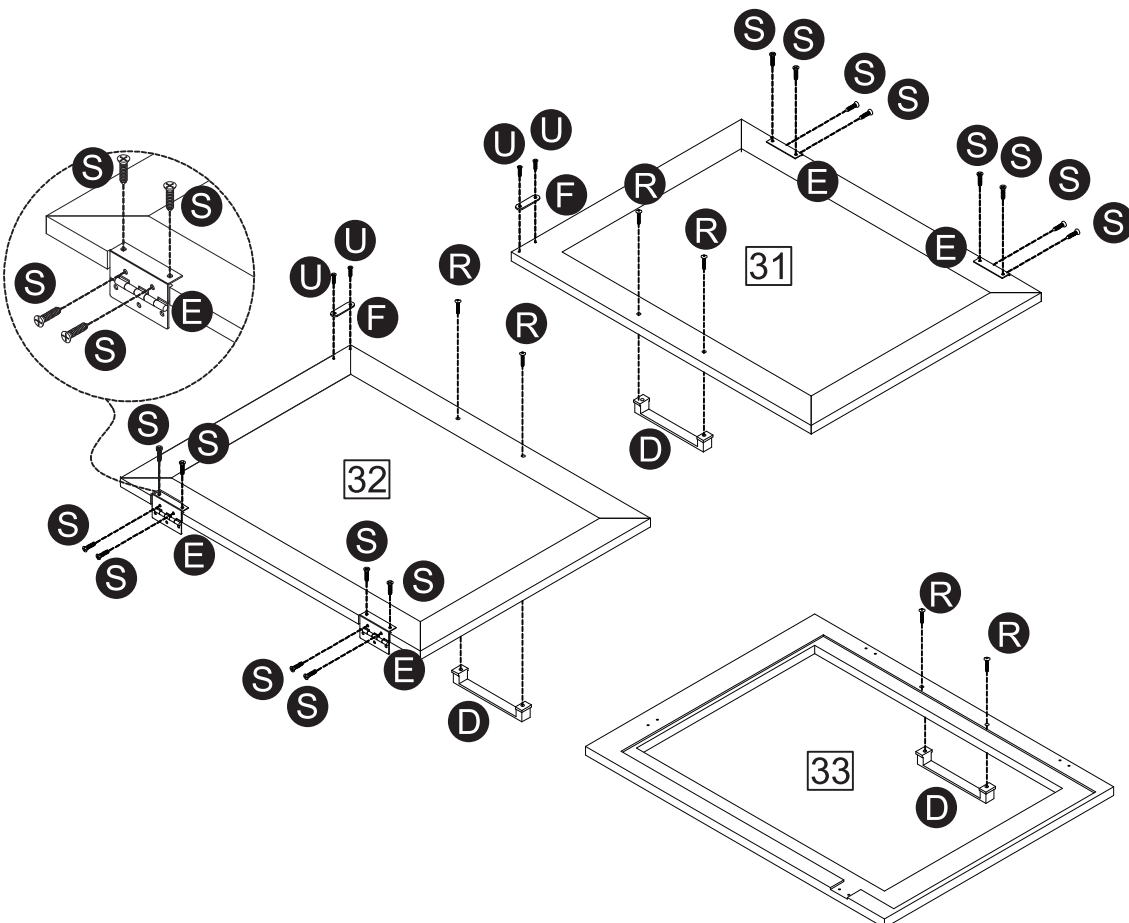
- L**  L x 5







# Assembly Instructions

## Step 31



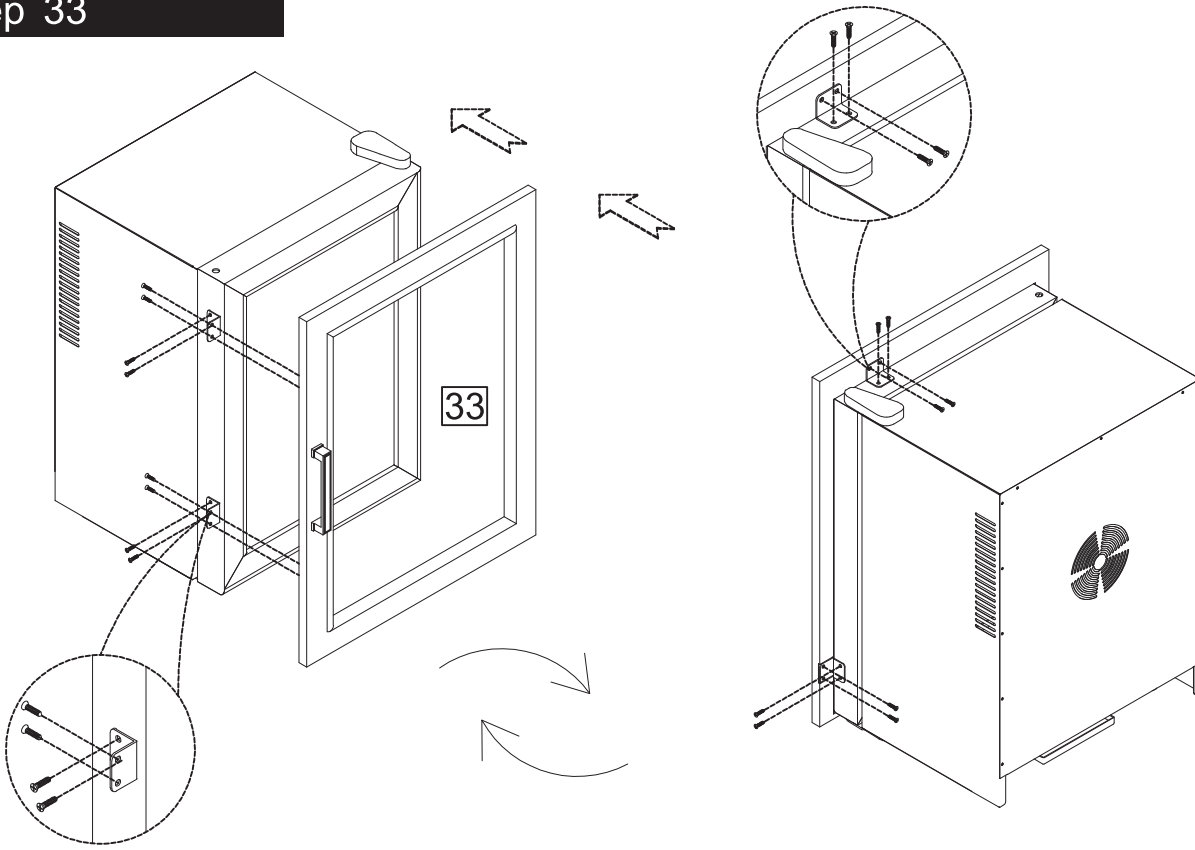
## Step 32



- U 
  
U x 4
- F 
  
F x 2
- S 
  
S x 16
- E 
  
E x 4
- D 
  
D x 3
- R 
  
R x 6

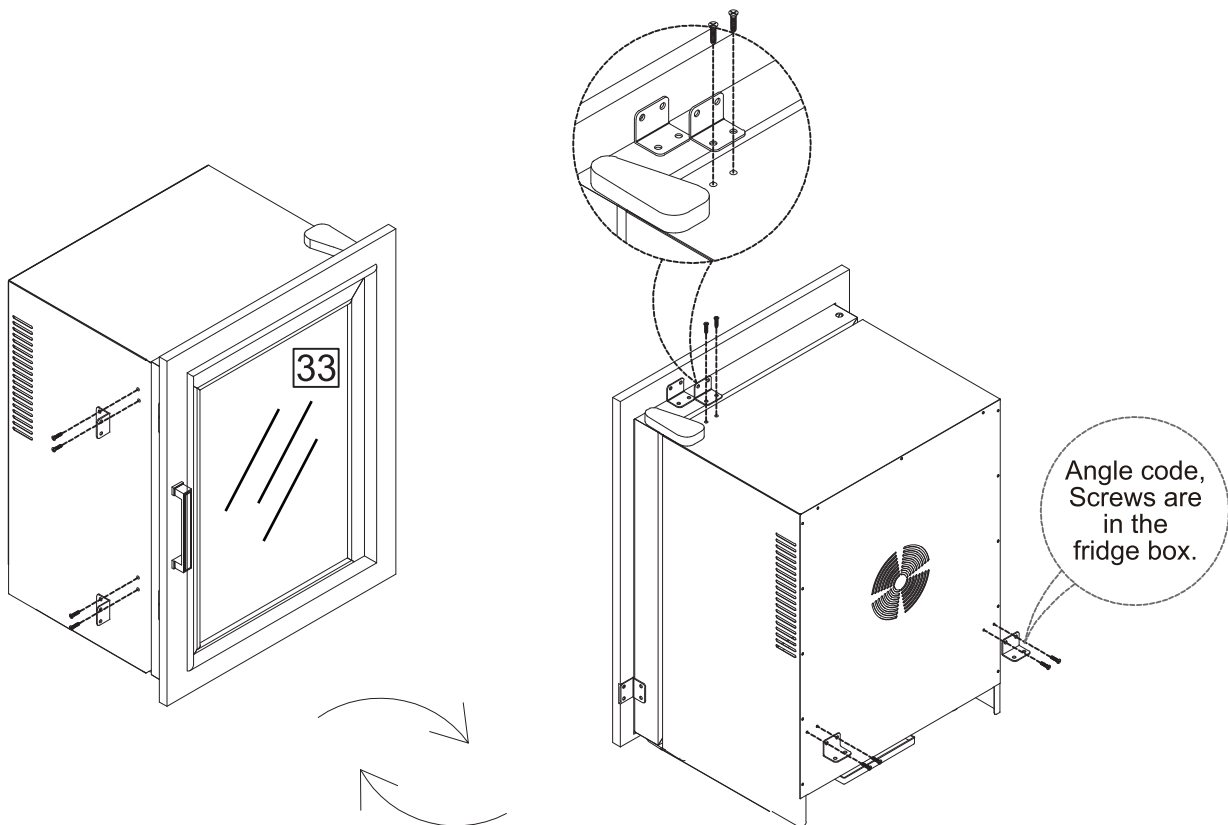
# Assembly Instructions

## Step 33



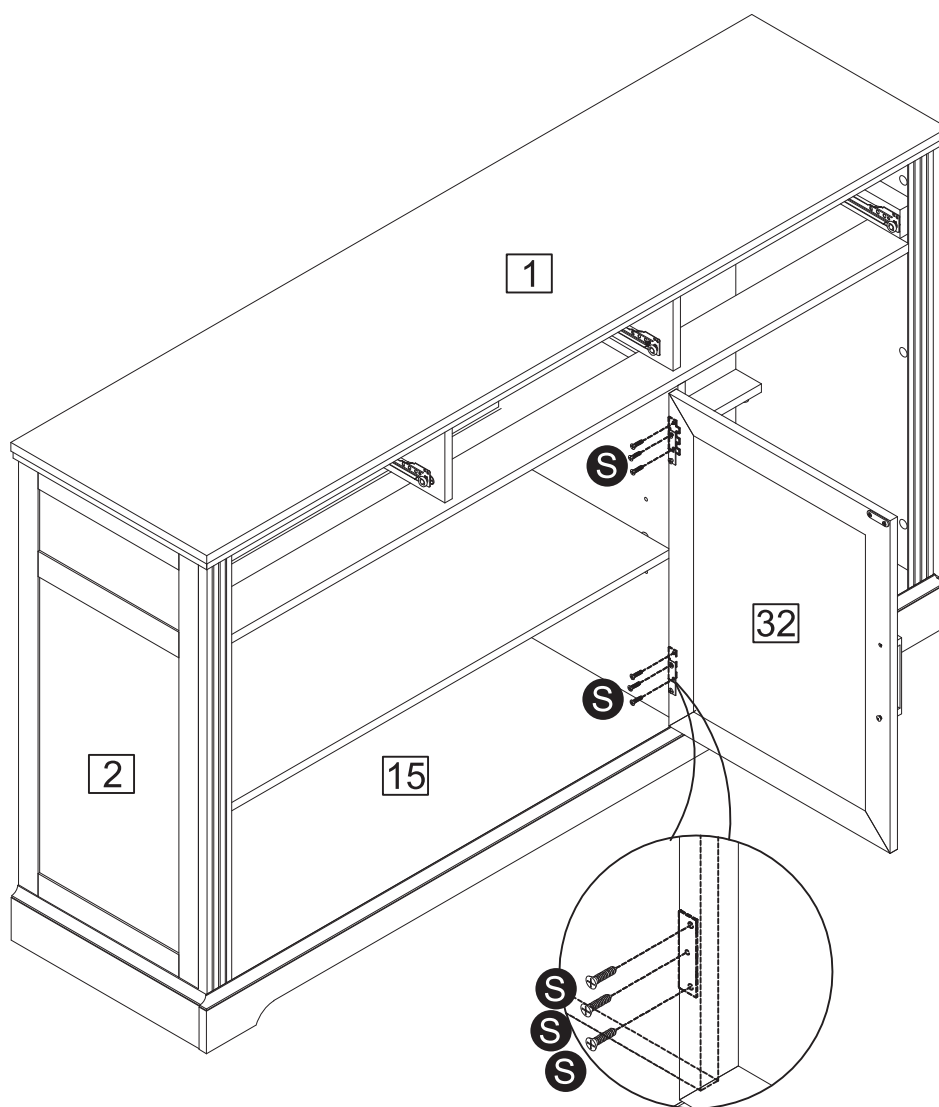
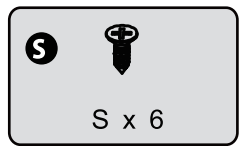
Angle iron and screws are packaged in the refrigerator

## Step 34



# Assembly Instructions

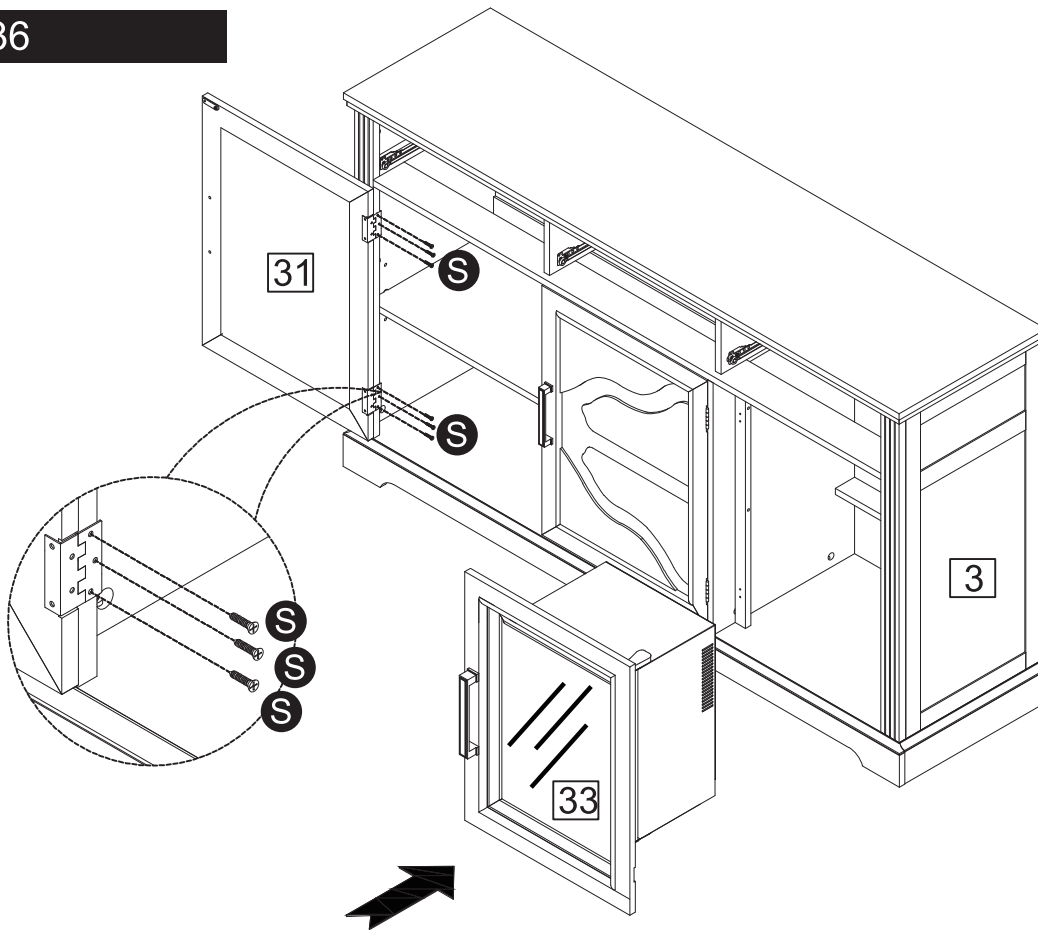
## Step 35



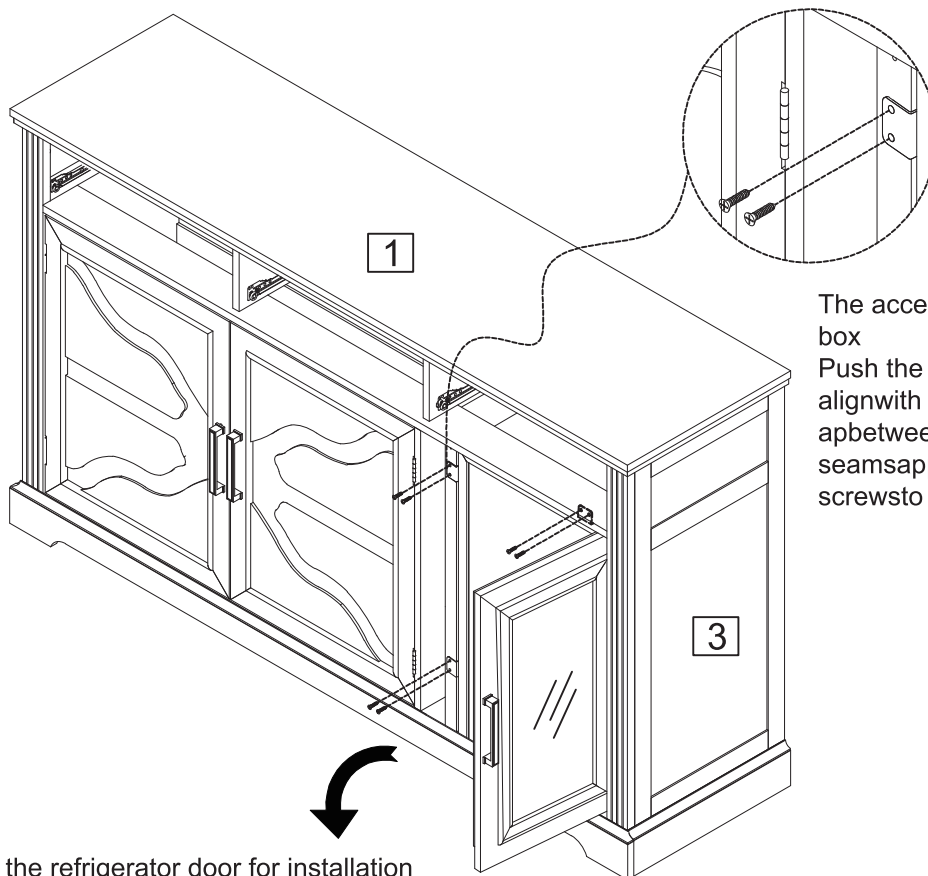
Open the refrigerator door for installation

# Assembly Instructions

## Step 36



## Step 37

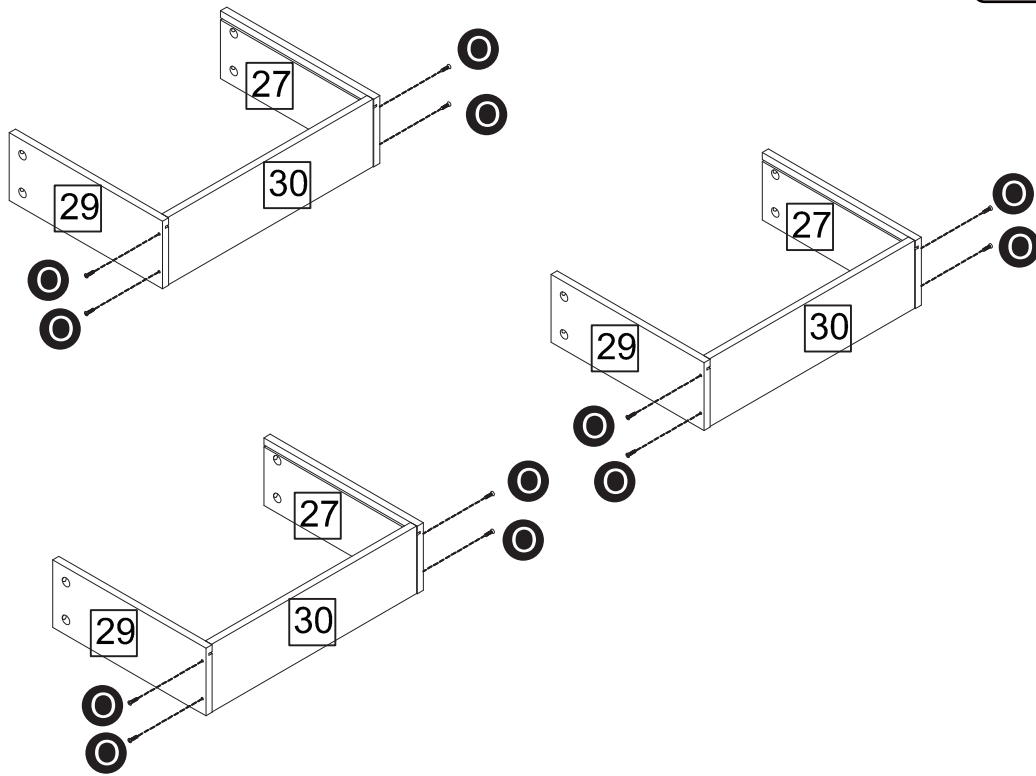
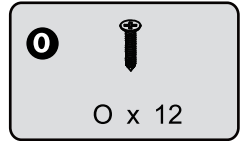


The accessories are in the fridge box  
Push the refrigerator forward to align with the lead hole, adjust them appropriately between the door seams, and then use screws to lock and reinforce it

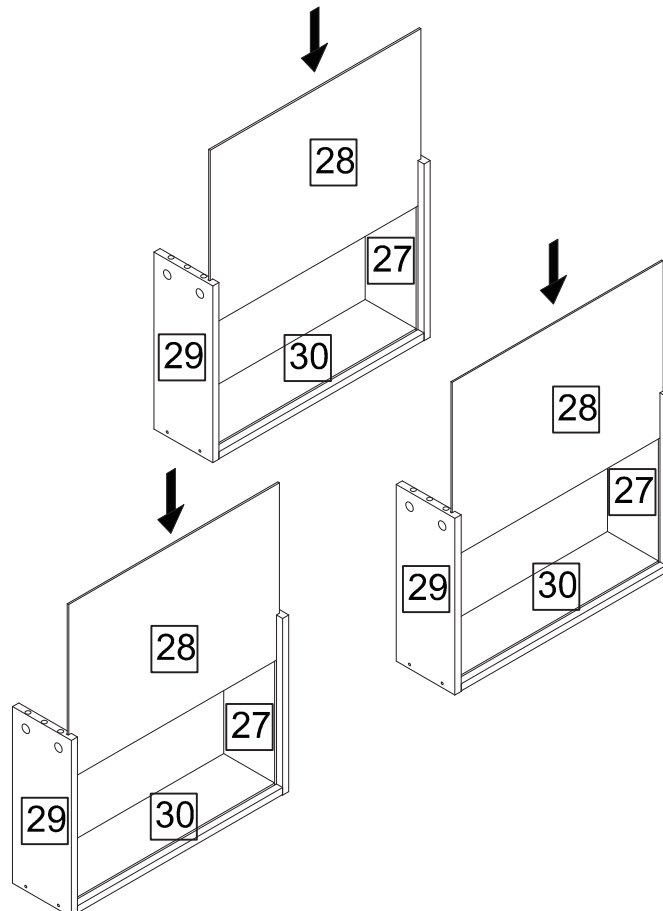
Open the refrigerator door for installation

# Assembly Instructions

## Step 38



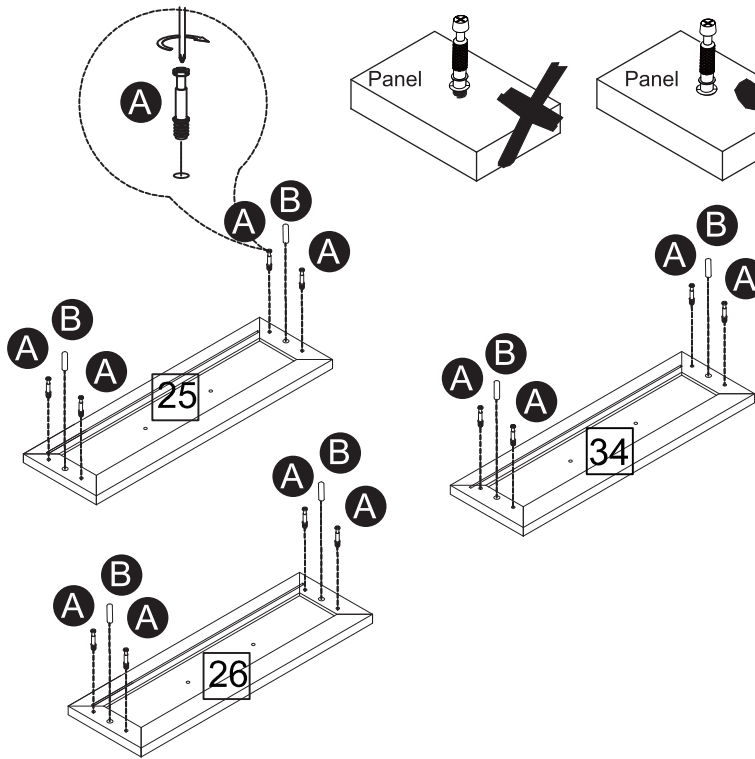
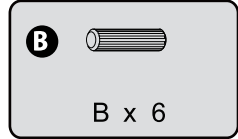
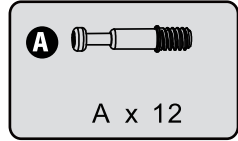
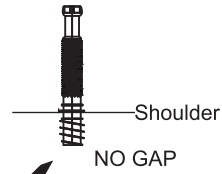
## Step 39



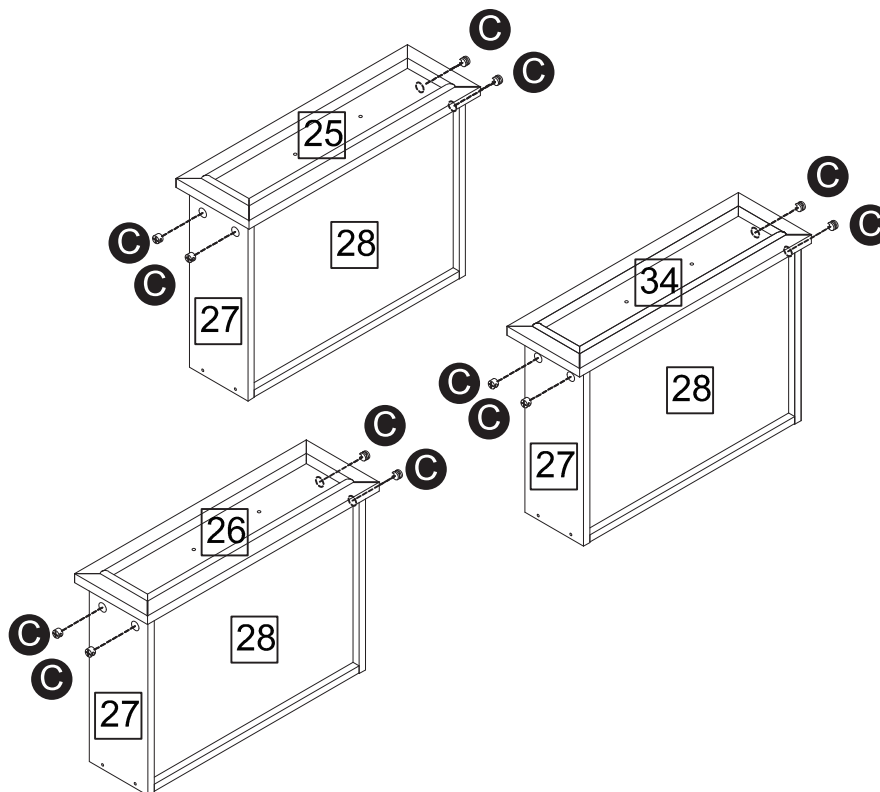
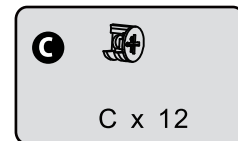
# Assembly Instructions

## Step 40

**CAM-LOCK**  
Tighten until shoulder is flush with panel. Do not overtighten or undertighten (see example below)



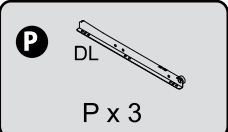
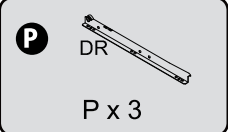
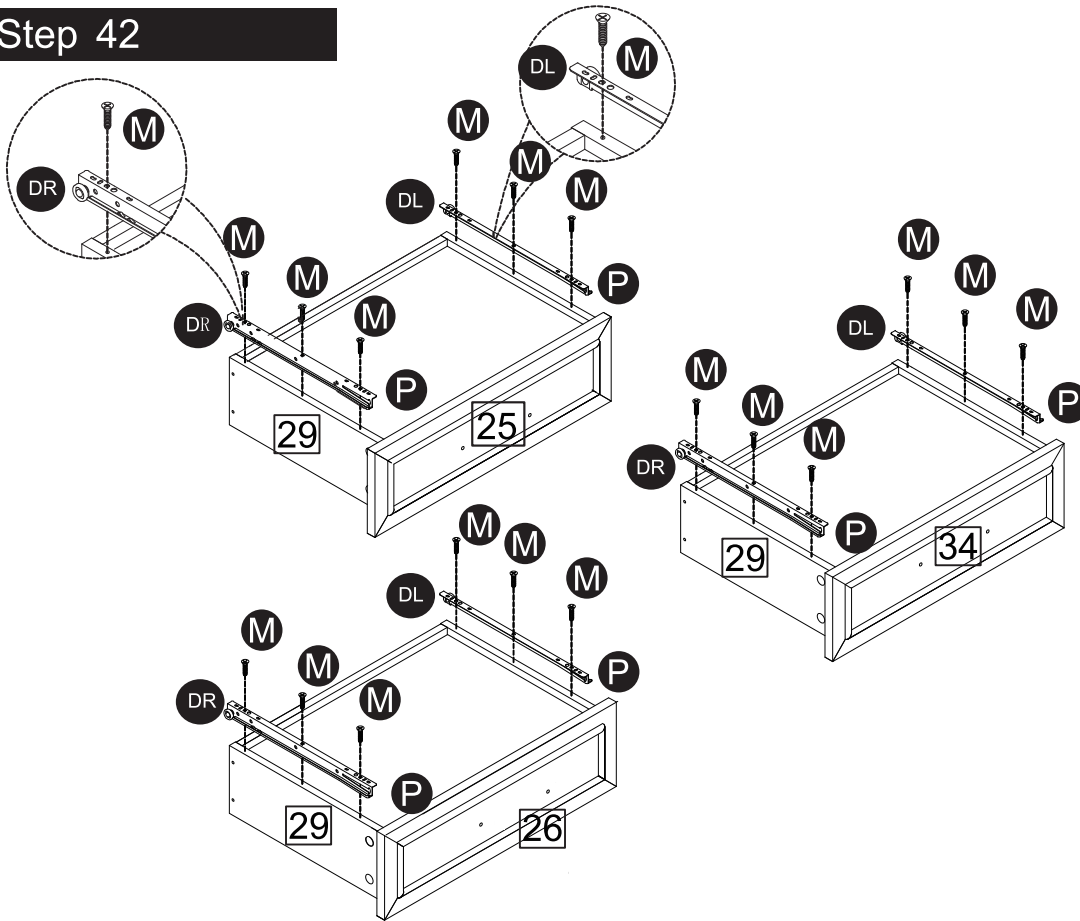
## Step 41



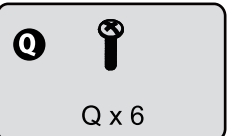
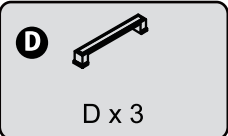
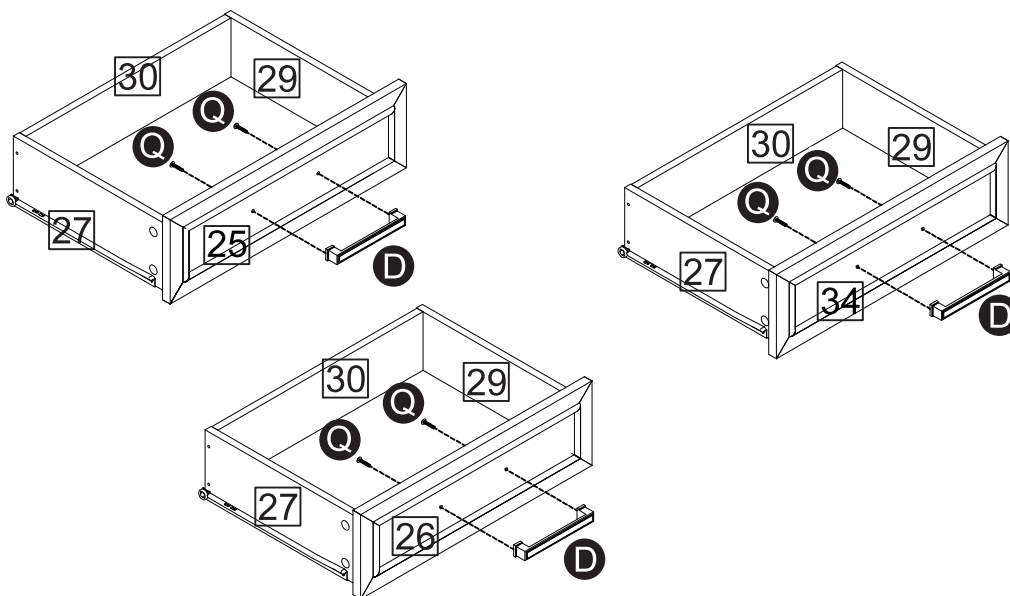
Fully insert the bottom plate into the slot before locking it

# Assembly Instructions

## Step 42

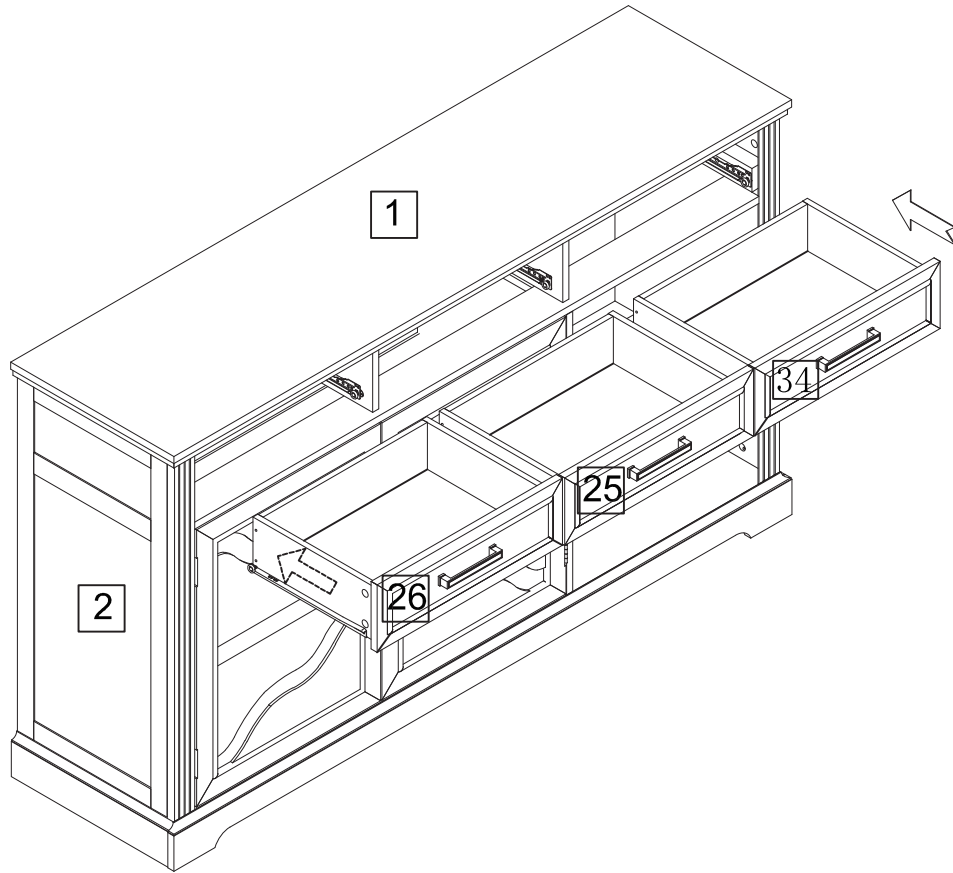


## Step 43

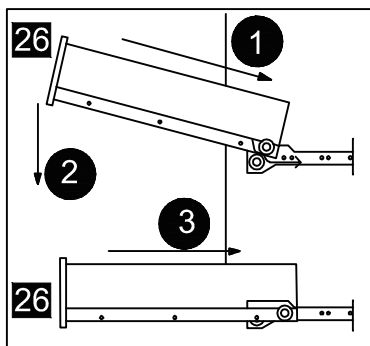


# Assembly Instructions

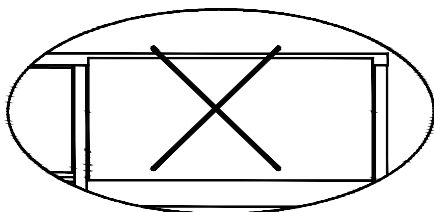
## Step 44



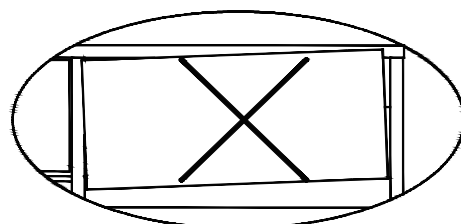
1. Please ensure that you have matched the wheels on BOTH sides of the drawer with the wheels on rails installed BEFORE push in the drawer.



2. If the following occurs, redo the first two steps.



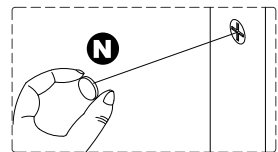
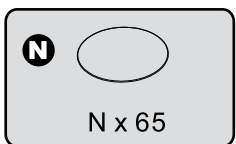
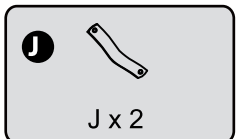
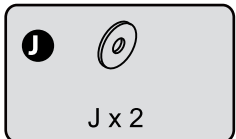
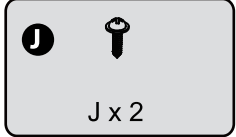
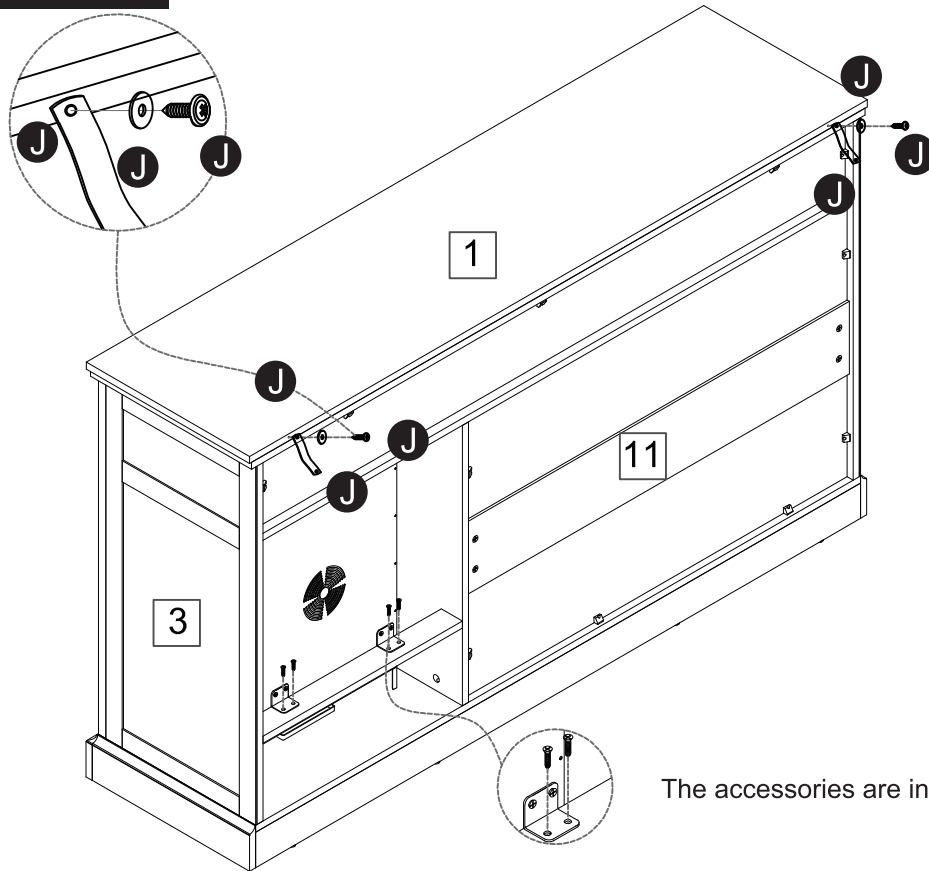
(both wheel are off the rails)



(one wheel is off the rail)

# Assembly Instructions

## Step 45



The accessories are in the fridge box.

## Step 46

