

NOTICE

- *Please make sure that you have all parts indicated and they are in good condition before you begin assembly of this item. Refer to part list and hardware list below for guidance.
- *This item should be assembled on a soft surface to prevent scratching the finish during assembly.
- *This item may require periodic tightening.
- *If you are having difficulty, our friendly Customer Care team is always here to help. Please email customersupport@safavieh.com


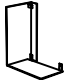




PREPARATION

- *Before beginning assembly of product, make sure all parts are present. Compare parts with part contents list and hardware contents list.
- *If any part is missing or damaged, do not attempt to assemble the product.
- *Estimated Assembly Time: 10 minutes.
- *Tools Required for Assembly (included): Allen Key

CARE AND MAINTENANCE

Always use felt pads under all articles to prevent discoloration or softening of the lacquer. Plastic and rubber bases on items can discolor wood. Wipe up spills immediately and avoid common hazards such as hot dishes, harsh solvents and abrasives. Cleaning should be done with a soft lint free cotton cloth dampened with water or furniture polish. On highly used surfaces we recommend applying a quality paste wax which should be used on a regular basis to provide additional protection from scratches and spills. How often you apply the wax depends on how much wear the furniture receives.

Part List and Hardware List

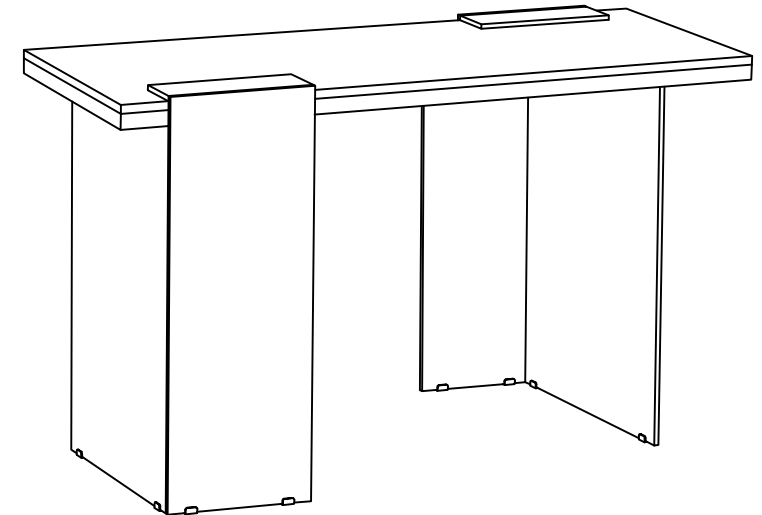
PIECE	DESCRIPTION	PICTURE	QUANTITY
A	TABLE TOP		1X
B	BASE		2X
C	FOOT CAP		8X
HW1	HEX SOCKET SCREW:M8x1.5x20mm		6X
HW2	FLAT WASHER:Ø17x1mm		6X
HW3	ALLEN KEY		1X

SAFAVIEH

COUTURE

Item# SFV3542

Product dimensions:60"Wx16.25"Dx32"H



 **WARNING** 

Weight Capacity: 100 LBS
Warning: Do not stand on Table.
Warning: Do not over torque bolts.

PREPARATION

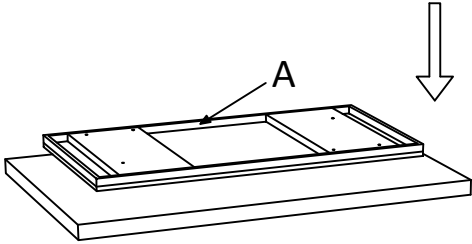
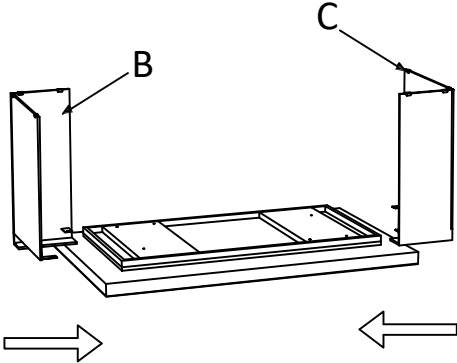
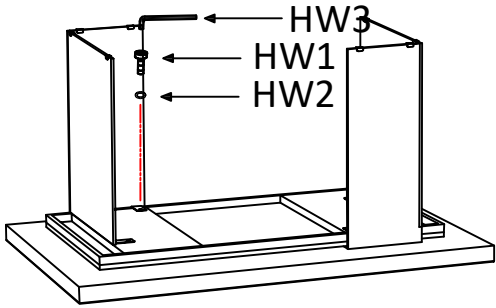
*Before beginning assembly of product, make sure all parts are present. Compare parts with part contents list and hardware contents list

*If any part is missing or damaged, do not attempt to assemble the product.

*Estimated Assembly Time: 10 minutes.

*Tools Required for Assembly (included): Allen Key

*If you are having difficulty, our friendly Customer Care team is always here to help. Please email customersupport@safavieh.com

		
<p>Step 1 : Put the table top (A) upside down onto a soft pad.</p>	<p>Step 2 : Place the metal base (B) same way and keep the table top (A) in between the panel and the holders of the base (B). Put on the foot caps (C) to the bottom of base (B) to protect the floor or carpet.</p>	<p>Step 3: Align the holes of the table top (A) and holders, attach the metal base (B) to the table top (A) by screwing the bolt (HW1) and washer (HW2) using allen key (HW3).</p>