




# Assembly Instructions

**Caution : You must read this before you proceed**





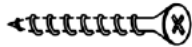

## COUNTER TABLE



### Part List

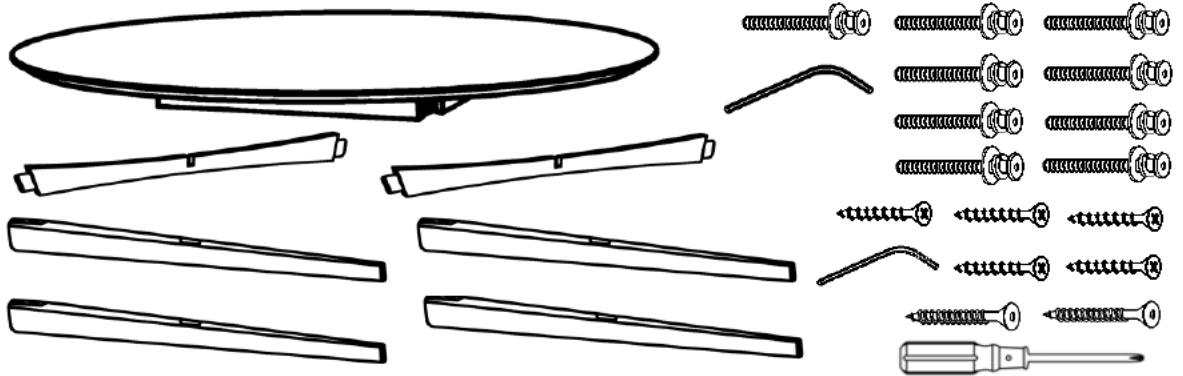
Label	Picture	Description	QTY
A		Table Top	1
B		Table Leg	4
C		Cross Bar	2

# Hardware

Label	Picture	Description	QTY
①		JCBB M8 x 80mm + S/W 5/16" + F/W 5/16" x 22mm	9
②		Allen Key M5	1
③		JCBC W M7 x 35mm	2
④		Allen Key M4	1
⑤		CSK SCREW M4 x 38mm	5
⑥		Screwdriver	Not Provided

# Assembly Preparation

Before  
Beginning  
Assembly:



- Read instructions, cover to cover-



- Have 2 adults on hand for assembly-



- Do not assemble on flooring or carpet-



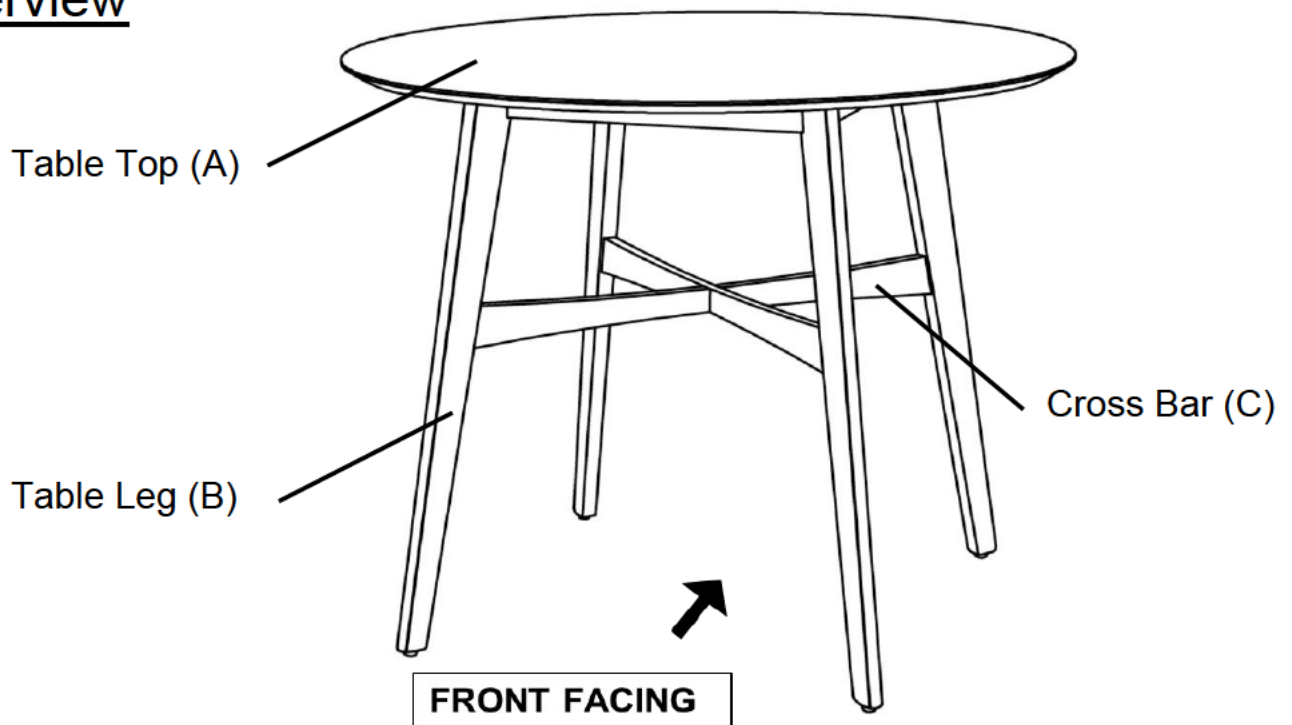
- Assemble on a clean non-marring surface (packing foam)-



- Save all packaging until finished-

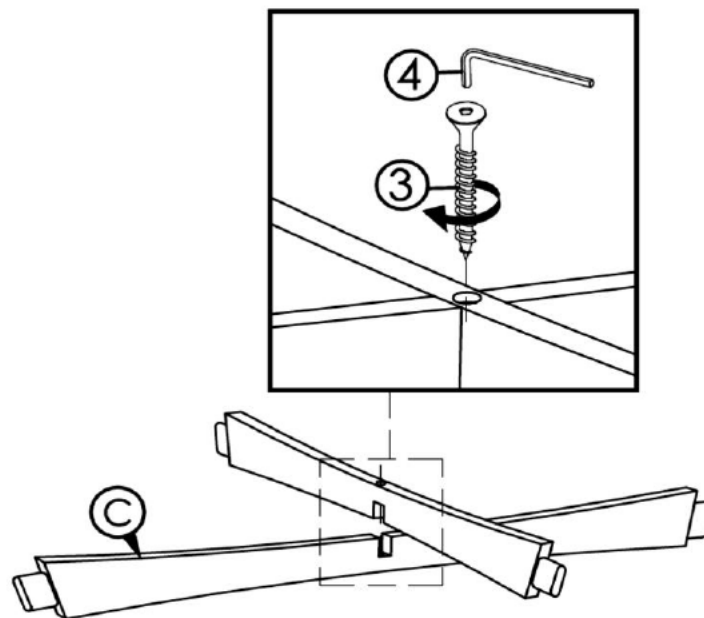
# Assembly Steps

## Overview



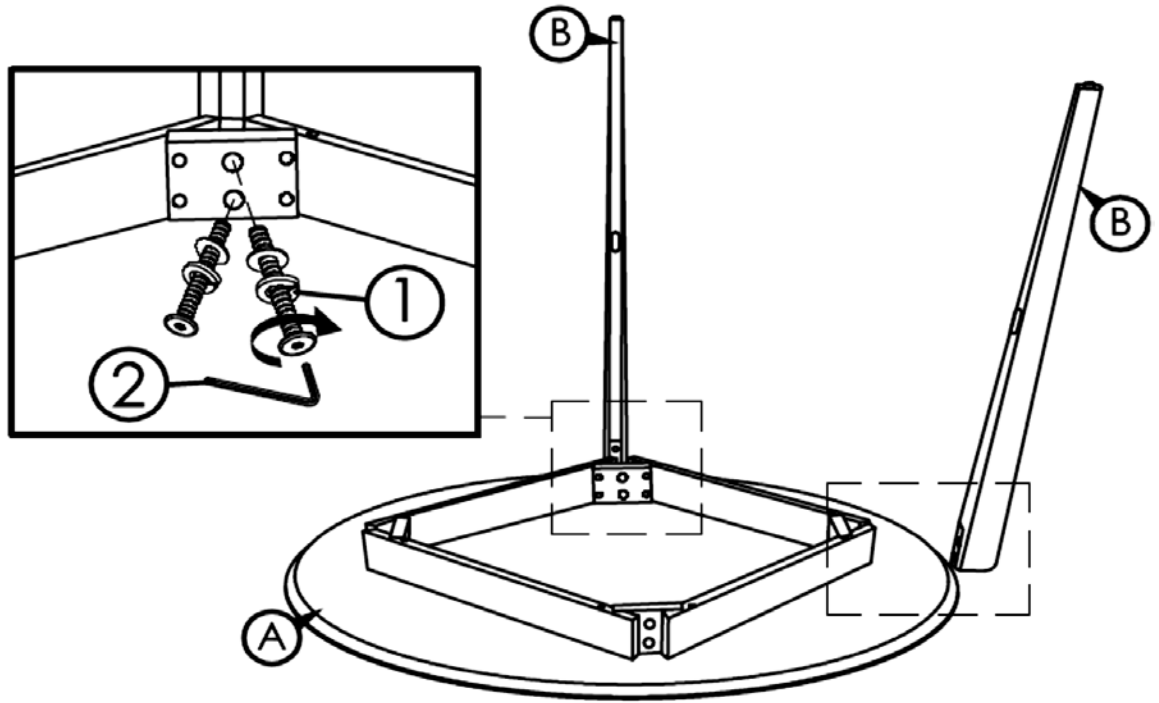
This Counter Table has multiple parts and may require up to some 30 minutes to assemble. To give you an overview of the Counter Table parts, the above picture is to help you put the various parts into perspective. Please read through the instructions below to familiarise yourself with the parts and steps before assembly.

## Step 1



Crossover the Cross Bar (C) as shown.  
Fix the Cross Bar with JCBC Bolt W (3) using Allen Key (4).  
**DO NOT FULLY TIGHTEN THE BOLT.**

## Step 2



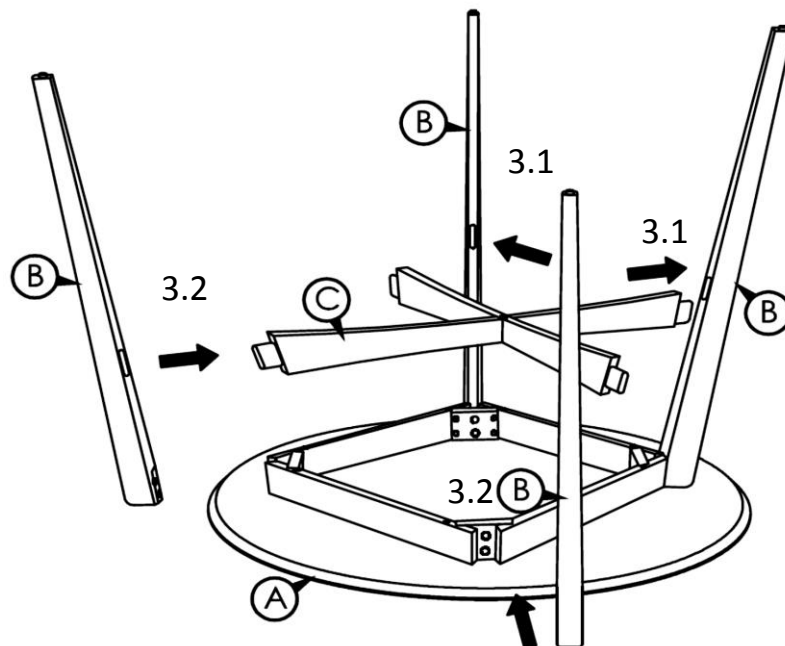
Place the Table top (A) on a soft surface to avoid any scratches or damages to the product and place the Table Leg (B) onto the of table top corner block with your adult partner.

Fix the Table Top (A) with JCBB Bolt (1) + Spring Washer + Flat Washer using Allen Key (2).

Repeat the step for another leg.

**DO NOT FULLY TIGHTEN THE BOLT.**

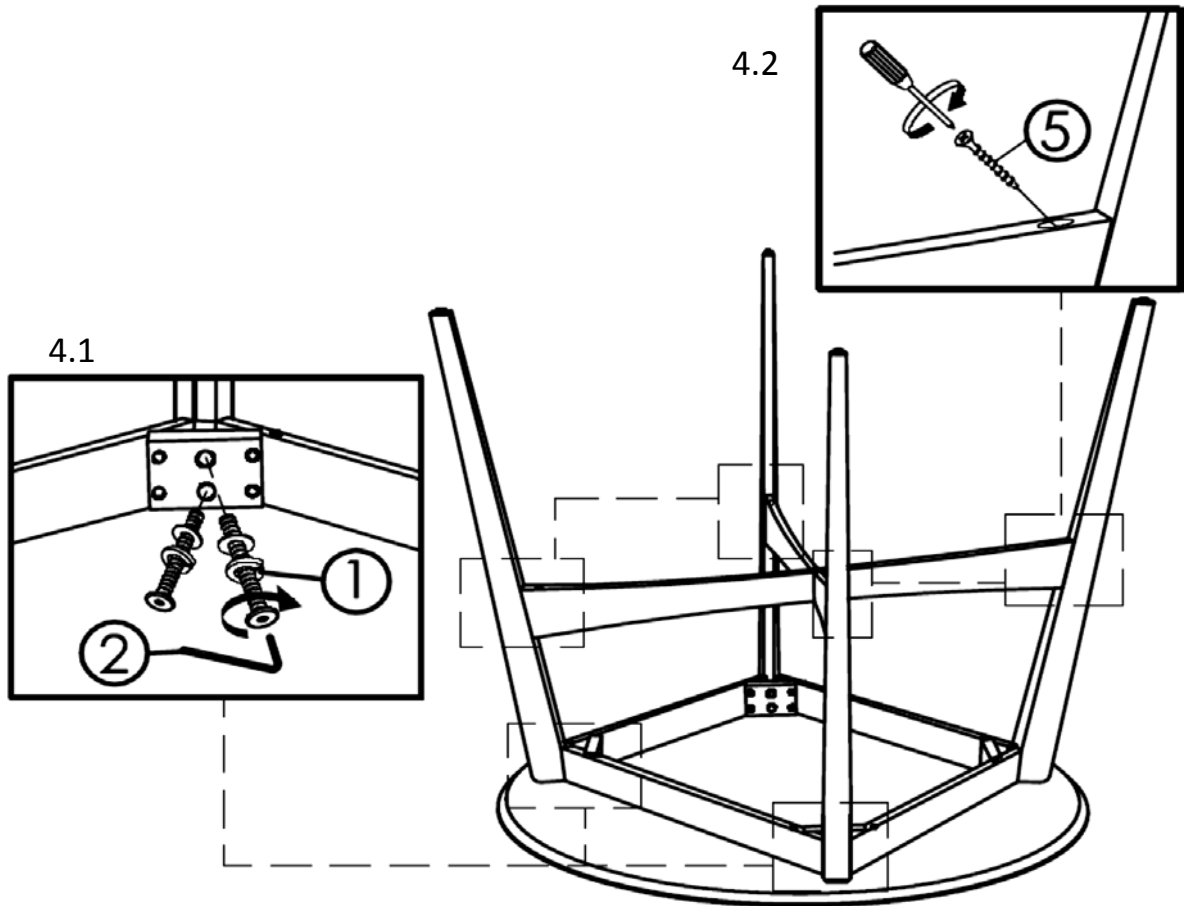
## Step 3



(3.1) With assistance from your adult partner, Slot in the Cross Bar (C) into the mounting position of Table Leg (B) as shown.

(3.2) Then slot in another two Table Legs onto the Cross Bar and Table Leg Corner Block.

## Step 4



(4.1) Repeat step 2, Fix the Table Leg (B) with JCB Bolt ① + Spring Washer + Flat Washer using Allen Key ②.

(4.2) Fix the Cross Bar (C) with CSK Screw ⑤ using Screwdriver (not provided).

In case the table wobbles, need loosen tighten the screw and bolts, and use your hand press the top of the table, to make sure the table evenness, and then full tighten the bolts sequence.

**FULLY TIGHTEN THE BOLT.**

With assistance from your adult partner, stand the Table up.

Your Table is now ready for use.

**Caution: This table can only be used on a flat, level surface.**

# Care & Maintenance



- Furniture may scratch floors. We recommend using furniture pads to protect your floors.



- Do not put hot items directly on furniture surface.



- Do not clean furniture with harsh cleansers or polish.



- Do not place furniture under direct sunlight.



- Do not place furniture near heating or cooling vents.



- Do not write on furniture without a padded barrier to protect the surface.



- Do not place furniture outside . For indoor use only.



- Not for commercial use. For residential use only.



- Stains may be removed with mild soap solution and damp cloth.



- Children should not climb or jump on the furniture.



- Dust and pick-up spills using a clean, non-colored, lint-free cloth.