


ASSEMBLY INSTRUCTIONS

Read this instruction carefully. See hardware and furniture part list for guidance. Be sure all parts are complete, before you assemble. Place all wooden furniture parts on a clean and flat soft surface to prevent from being scratched. Follow the figure to start assembling.

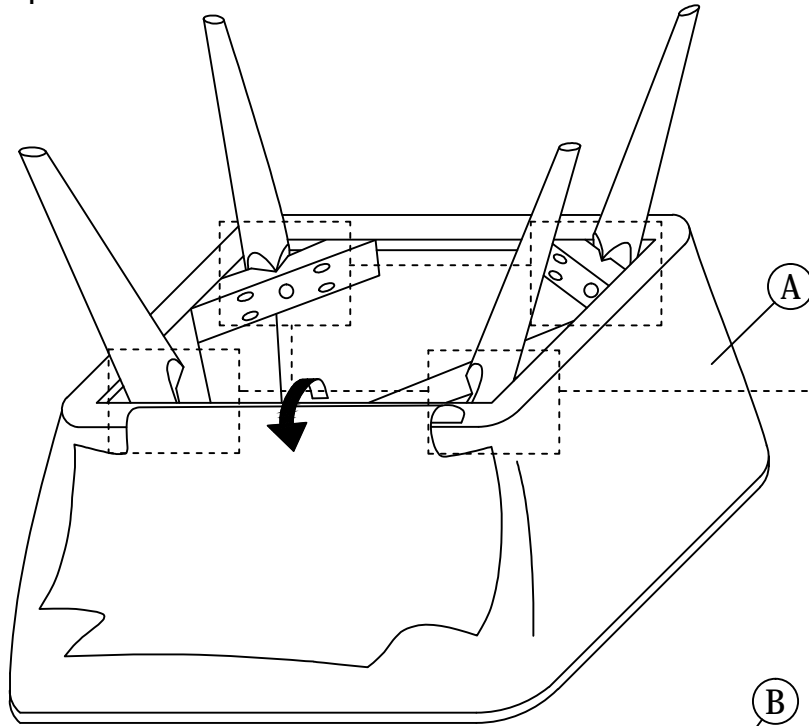
CAUTIONS : 1. Do not FULLY - TIGHTEN the nut or nut bolt until all nut or bolt is ready assembled.
2. Do not OVER - TIGHTEN the nut or bolt to avoid causing damages to the thread.
3. Keep all hardware parts out of reach of children.

NOTE : THE LIST AND QUANTITY SHOWN ARE FOR 1 UNIT ASSEMBLY.

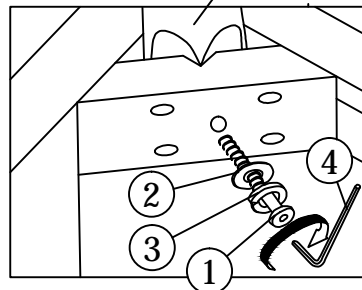
PART LIST		
ITEM	DESCRIPTION	QTY
A	STOOL	1pc
B	LEGS	4pcs

HARDWARE LIST		
ITEM	DESCRIPTION	QTY
1	JCBC Bolt M8 x 40mm 	4pcs
2	M8 FLAT WASHER 	4pcs
3	M8 SPRING WASHER 	4pcs
4	M5 ALLEN KEY (BALL SHAPE) 	1pc

STEP 1



Take out the leg from the bottom of stool.



STEP 2

