

# FENLO

Break from the Ordinary.

## Welcome to Our Family.

### Assembly Instructions

Thank you for choosing FENLO! We're excited to share our joy of innovative products with you and bring elegance into the ordinary. Let FENLO enhance your daily routine without the hassle and bring that spark into your life.

If you have any questions regarding assembly, you can follow our step-by-step video guide. We're here to assist you in every step of the journey.



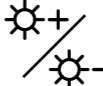
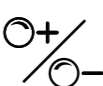
Contact us at :

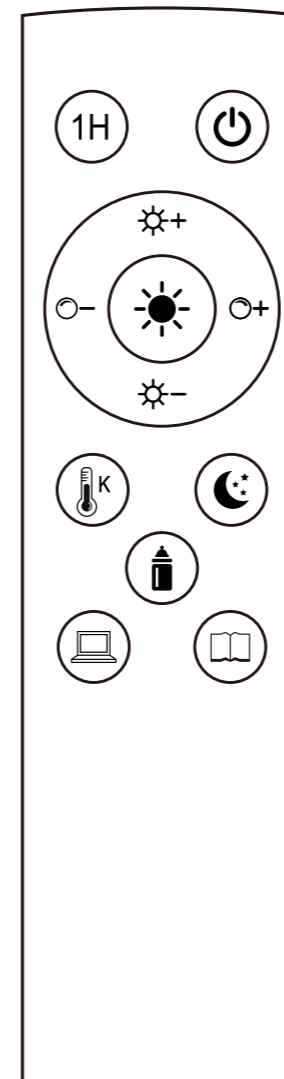
[customerservice@shopfenlo.com](mailto:customerservice@shopfenlo.com)

*See other side of this insert for written assembly instructions.*







FENLO Aftercare:	Customer Support :	Guide Video:
		

### Basic Controls:

-  Power On/Off
-  Turn off after 1hour
-  Temperature Tone Control  
Warm (+) /Cool (-)
-  Brightness Control  
Bright (+) /Dim (-)



### Specialty Presets:

-  **Neutral:**  
Neutral, standard lighting for everyday.
-  **Temp Control:**  
Cycle by temperature hue, keep brightness.
-  **Night:**  
Soft, warm light. Aids in sleep.
-  **Nursery:**  
Bright, warm light. Cozy & Gentle.
-  **Study:**  
Very bright, cool light. Awake & Energizing.
-  **Work:**  
Very bright, warm light. Productivity.

*Control your new FENLO product via included remote or "LotusLamp X" App.*

Scan QR code for App:



Control up to **6 devices** at once. Smart lighting automation & scheduling available on app.

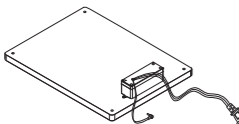
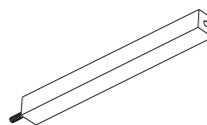
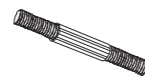
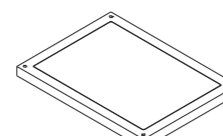
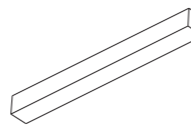
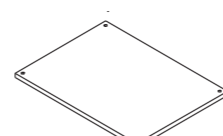


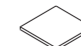
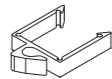
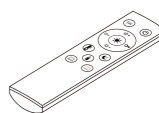
## Flare

### Product Details:

- Maximum Wattage: 24V\*0.25A=6W
- Reinforced Glass
- Made of MDF Wood
- Non-toxic UV Coating
- Patent Designed Pole

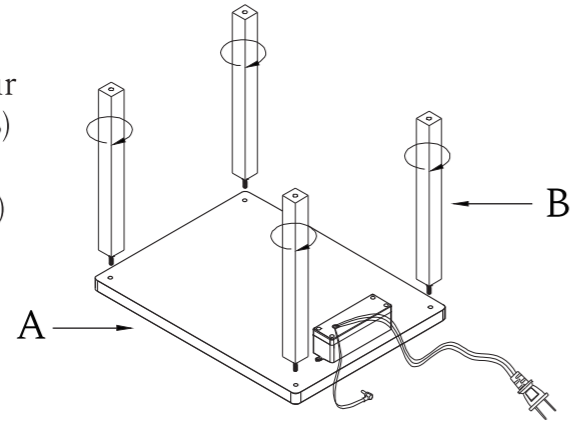
### \* Important Safety Instructions:

**Do NOT** use another direct current adapter other than the DC adapter in the package.

<b>A</b> Top Board  1PC	<b>B</b> Screwed Pole  4PCS	<b>C</b> Two-sided Bolt  4PCS	<b>D</b> LED Module  1PC	<b>E</b> Pole  4PCS	<b>F</b> Board  1PC	<b>G</b> Riser  4PCS	<b>H</b> Screw  4PCS	<b>I</b> Cushion  4PCS	<b>J</b> Wire Clamp  3PCS	<b>K</b> Remote Control  1PC
--	--	--	--	--	--	---	---	---	--	---

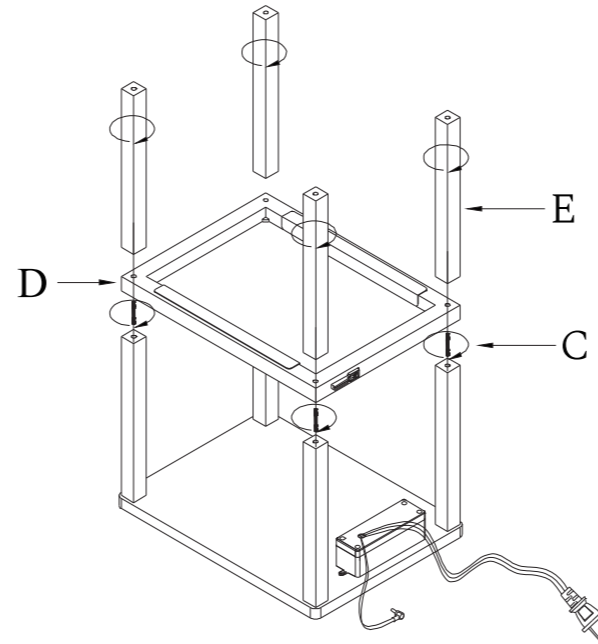
# 01

Tightly twist four screwed poles (B) clockwise into the top board (A) until tight.



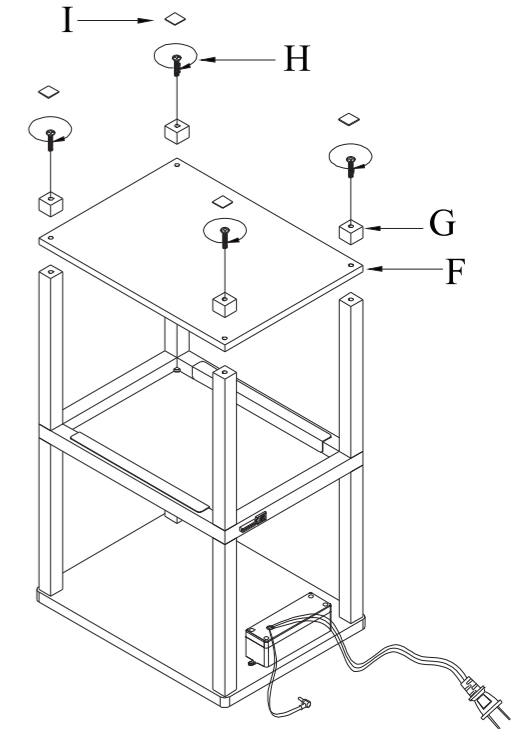
# 02

Attach the LED module shelf (D) into the poles from Step 1 using four two-sided bolts (C) and then add another level of poles (E) onto the other side of the bolts. Twist until secured.



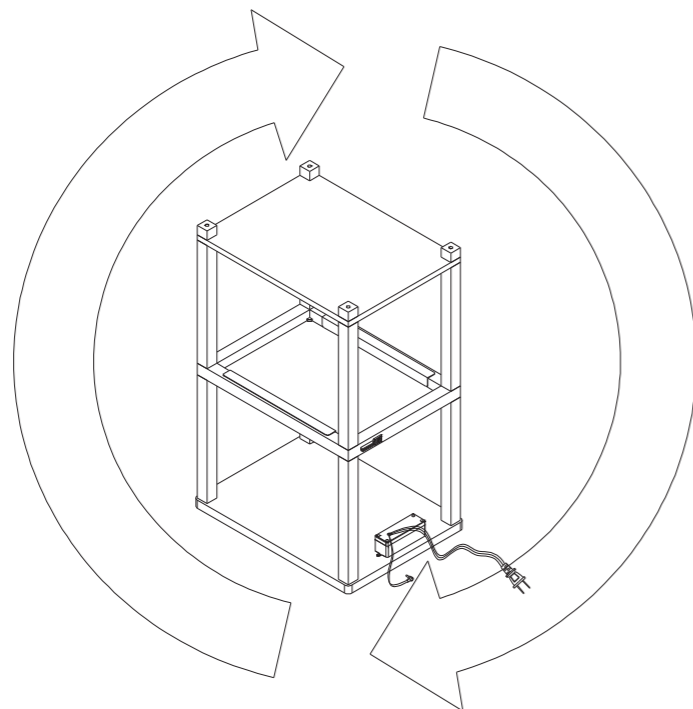
# 03

Add the final shelf board (F) on top of the poles from Step 2 (E) and ensure that the risers (G) are placed over each corner for extra stability. Then, secure it all tightly clockwise using the screws (H). Place the cushions (I) over each bolt to protect any flooring.



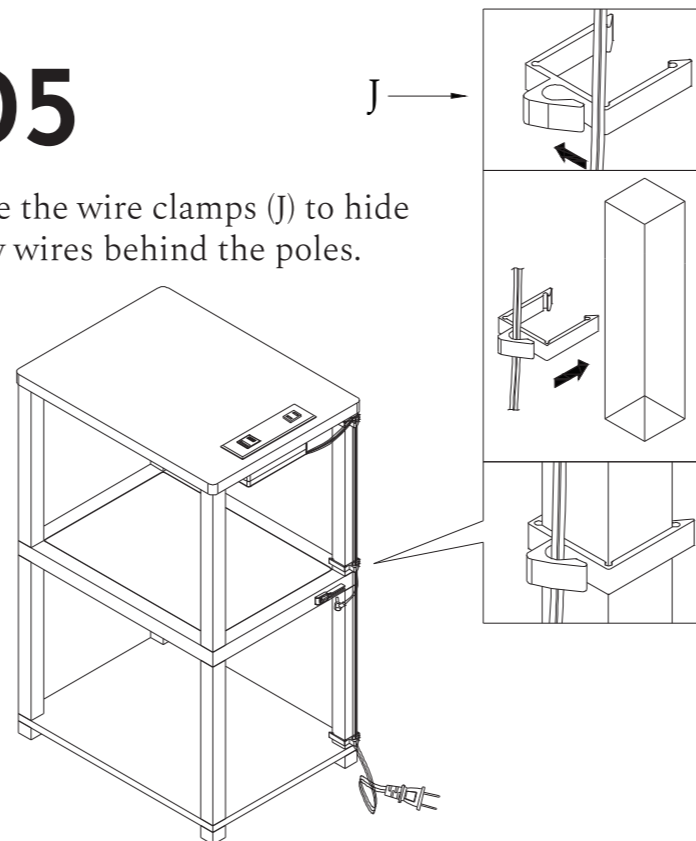
# 04

Flip the model and have it stand on all fours.



# 05

Use the wire clamps (J) to hide any wires behind the poles.



# 06

Enjoy your new stand!

