

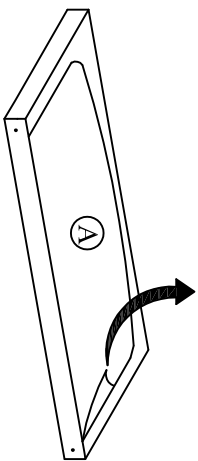
# Assembly Instruction

**(BOX 1)**  
HEADBOARD, FOOTBOARD, SIDE RAIL

**(BOX 1)**  
HARDWARE LIST

| NO | ITEM                  | QTY   | NO | ITEM                                    | QTY   |
|----|-----------------------|-------|----|---|-------|
| A  | HEADBOARD             | 1 PC  | 1  | JCB8 M8 x 30MM                          | 8 PCS |
| B  | FOOTBOARD             | 1 PC  | 2  | JCB8 M6 x 30MM                          | 8 PCS |
| C  | SIDE RAIL<br>C1<br>C2 | 4 PCS | 3  | JCB8 M6 x 60MM                          | 8 PCS |
| D  | LEGS<br>C1<br>C2      | 4 PCS | 4  | M4 x 65MM                               | 1 PC  |
| E  | CENTER RAIL           | 4 PCS | 5  | M5 x 20MM                               | 1 PC  |
| F  | SIDE RAIL LEGS        | 2 PCS | 6  | FLAT HEAD TORX TORQ. SCREW<br>M4 x 25MM | 24PCS |
| G  | SUPPORT LEG           | 8 PCS | 7  | M6 FLAT WASHER                          | 8 PCS |
| H  | 12 PCS SLAT           | 2 PCS | 8  | ADJUSTER                                | 8 PCS |

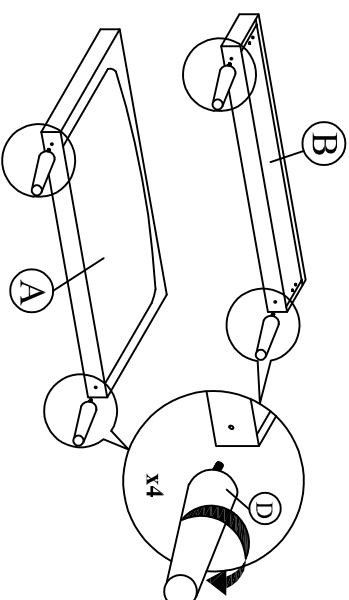
Step 1 : Unzip the black non-woven fabric on the back of headboard and take out all the parts out



Attention: Zip the black non-woven fabric after take out the parts !!

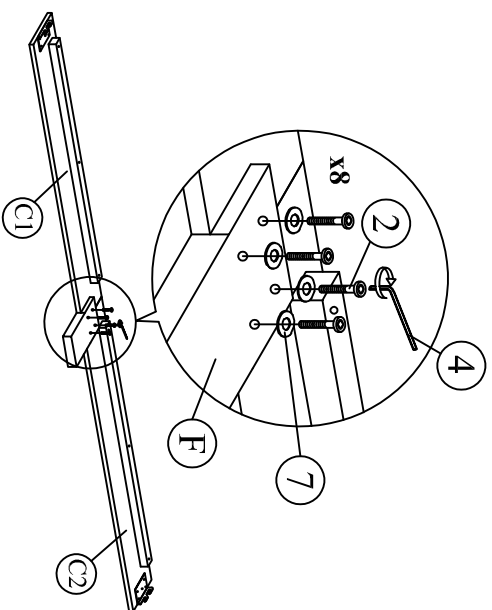
BACK VIEW

Step 2 : Attach the headboard and footboard with legs as shown.

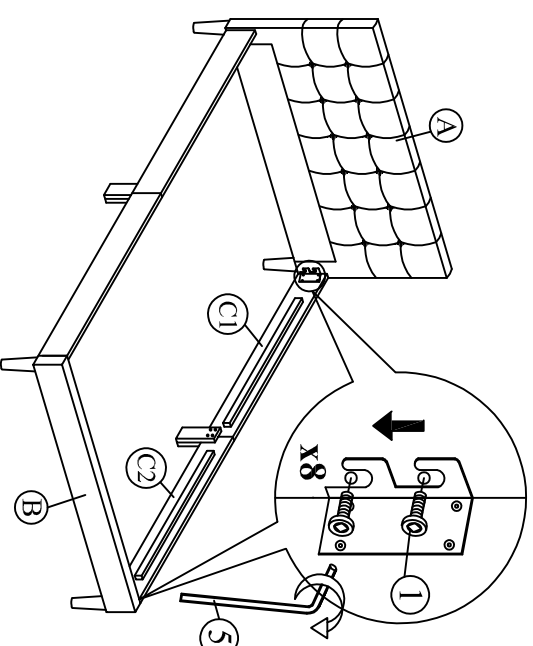


BACK VIEW

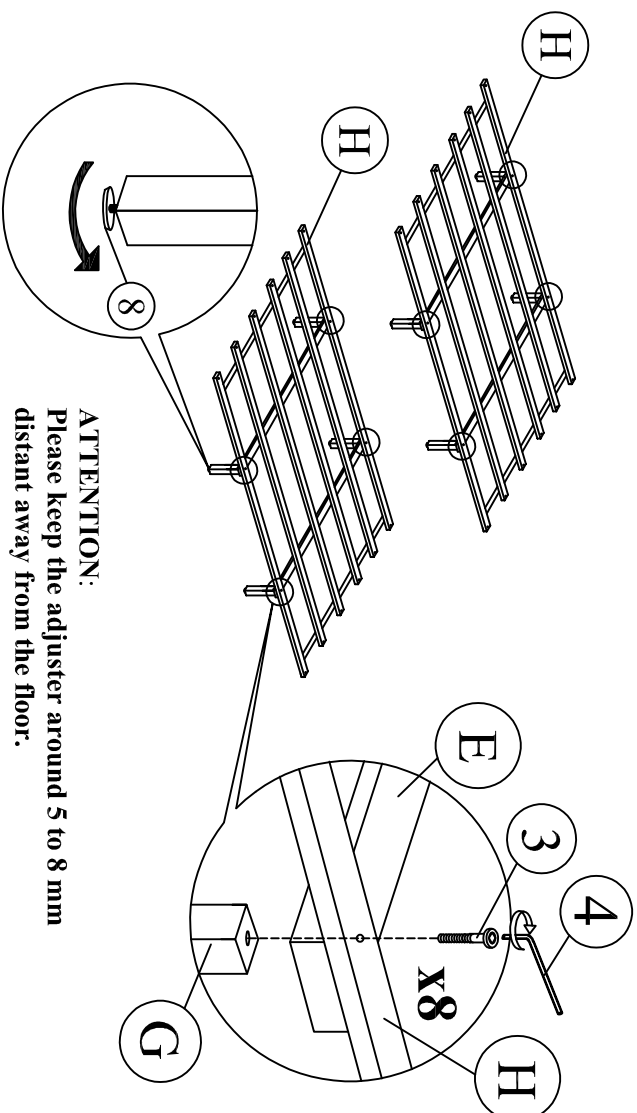
Step 3 : Attach the side rail leg (F) to the side rail (C).



Step 4 : Attach side rail (C) to headboard (A) and footboard (B) by pushing the bracket down to fit it.



Step 4 : Attach the support legs (G) to the slats (H).



**ATTENTION:**  
Please keep the adjuster around 5 to 8 mm  
distant away from the floor.

Step 5 : Tighten the 4 Corner with Allen Key (5). Install the bed slats to side rail. Tighten the slats with CSK screw. The distance of the slats should be sufficient to obtain desirable bed stability.

