

Instruction Manual

Please save this manual for future reference.

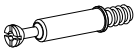

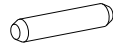
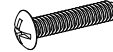
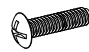




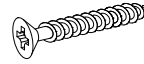

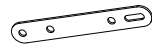
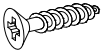
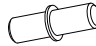

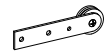
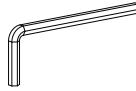


Product Name:	Bathroom Wall Cabinet
----------------------	-----------------------

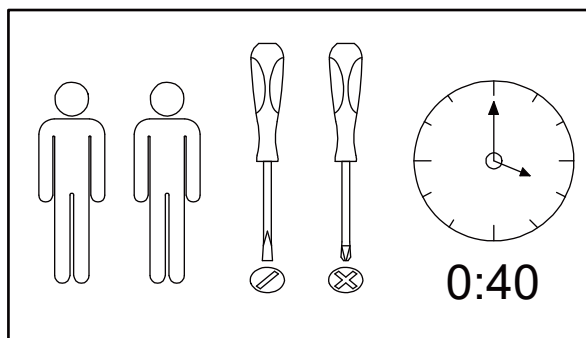
Thank you for purchasing this product. This product has been manufactured with the highest standards of safety and quality.

PLEASE READ ALL INSTRUCTIONS BEFORE ASSEMBLY.

Unpack all parts from Styrofoam and bubble wrap inside the carton to ensure there are no missing or damaged parts. If any parts are missing or damaged, do not attempt to assemble or use the product.

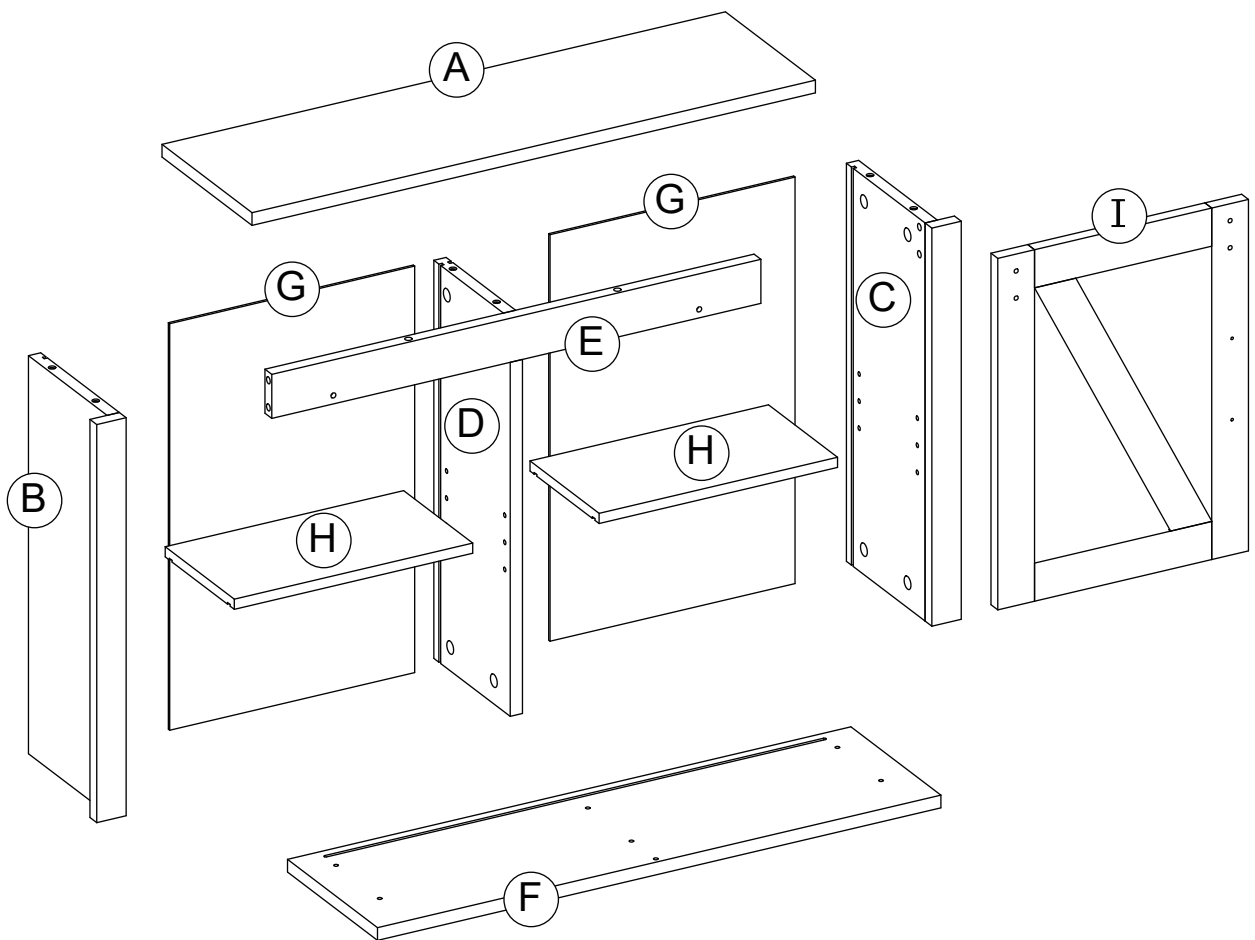
Hardware:

①×12	②×12	③×6	④×2	⑤×2	⑥×1
					
⑦×4	⑧×2	⑨×8	⑩×2	⑪×2	⑫×2
					
⑬×6	⑭×1	⑮×1	⑯×2	⑰×1	⑱×12
					
⑲×12					
					



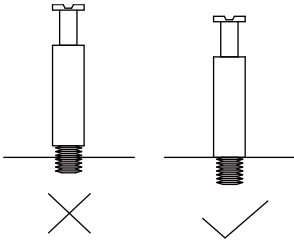
Tools required for assembly: Philips screwdriver and Flathead Screwdriver (if using power tools, use with care)

Panels:

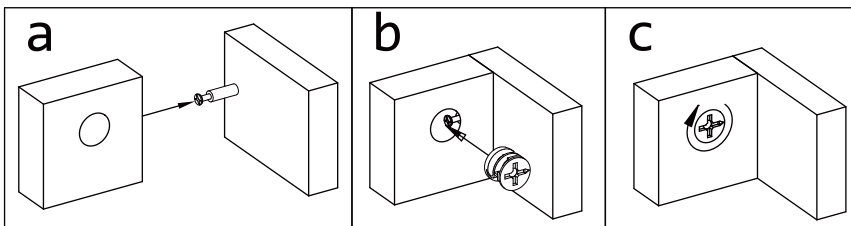


Step 1

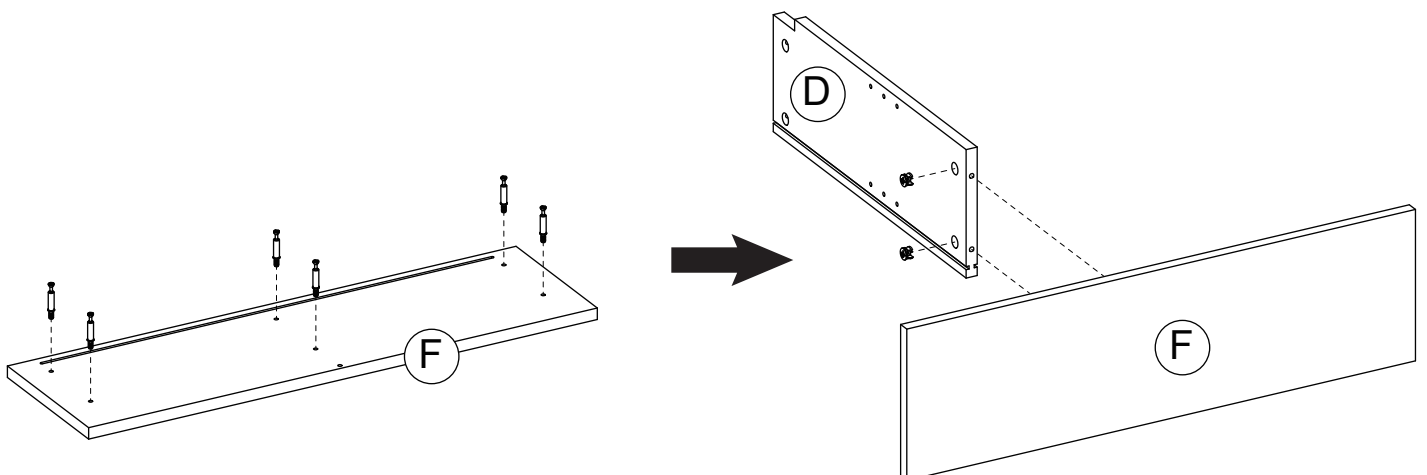
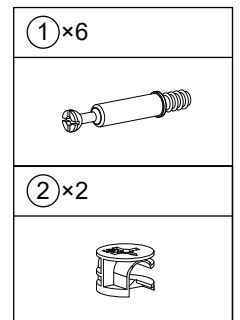
Make sure the pins are installed correctly as shown with the “check mark” below:



Below shows how the pins are used to assemble the panels together.

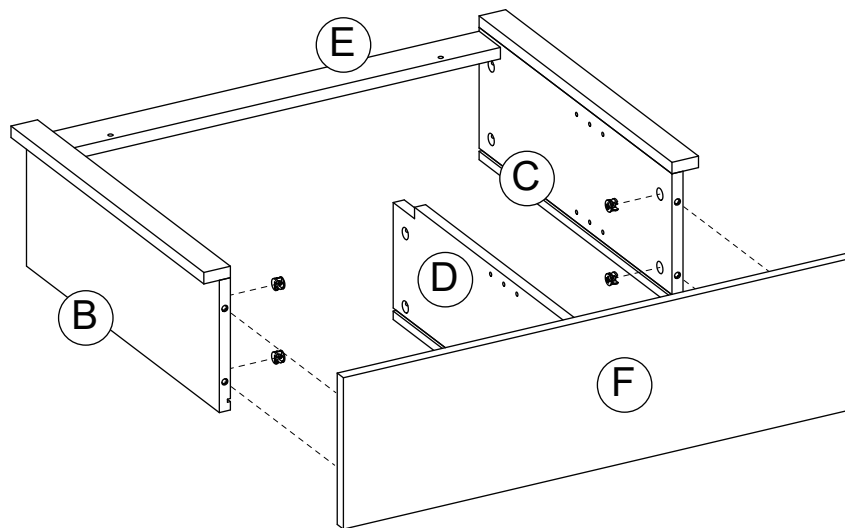
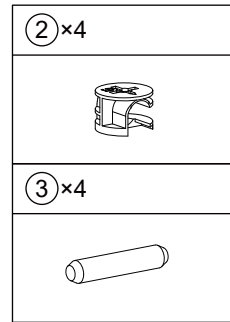
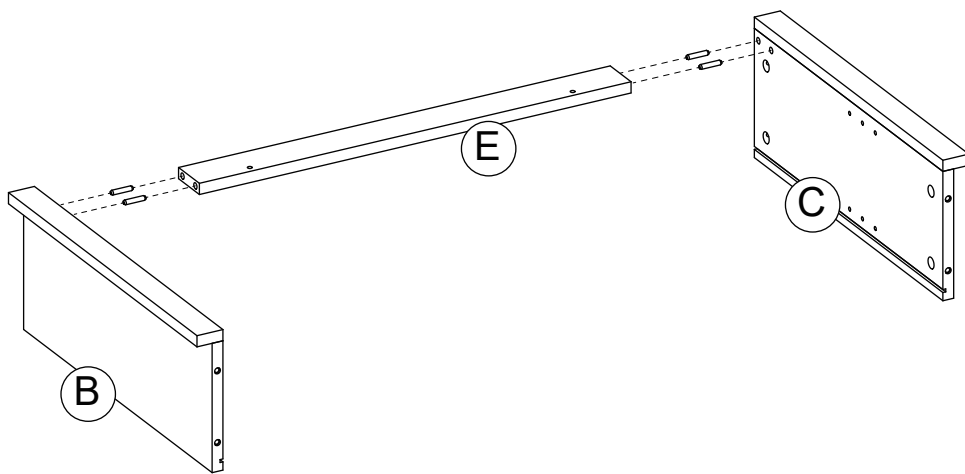


Screw cam bolts (1) onto (F), attach panel (D) as shown, tighten the cam lock (2) clockwise to secure.



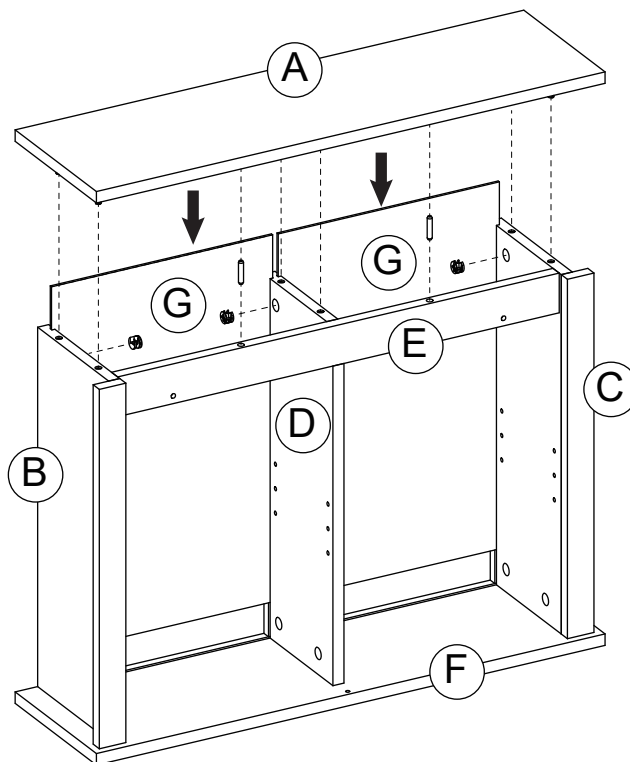
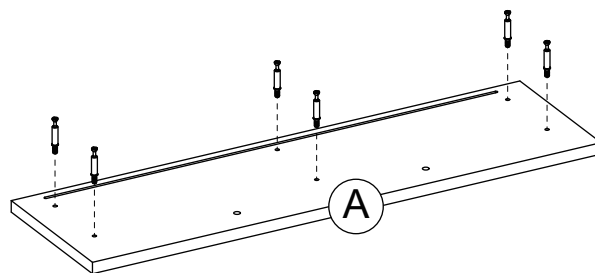
Step 2

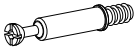

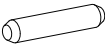
Insert wooden dowel (3) onto (E), attach it to (B)&(C) .
Attach assembled two unit as shown,tighten the cam lock (2) clockwise to secure.



Step 3


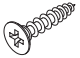
Screw cam bolt (1) onto top panel (A), Insert back panels (G) onto unit, Insert wooden dowel (3) onto (E), tighten the cam lock (2) clockwise to secure.

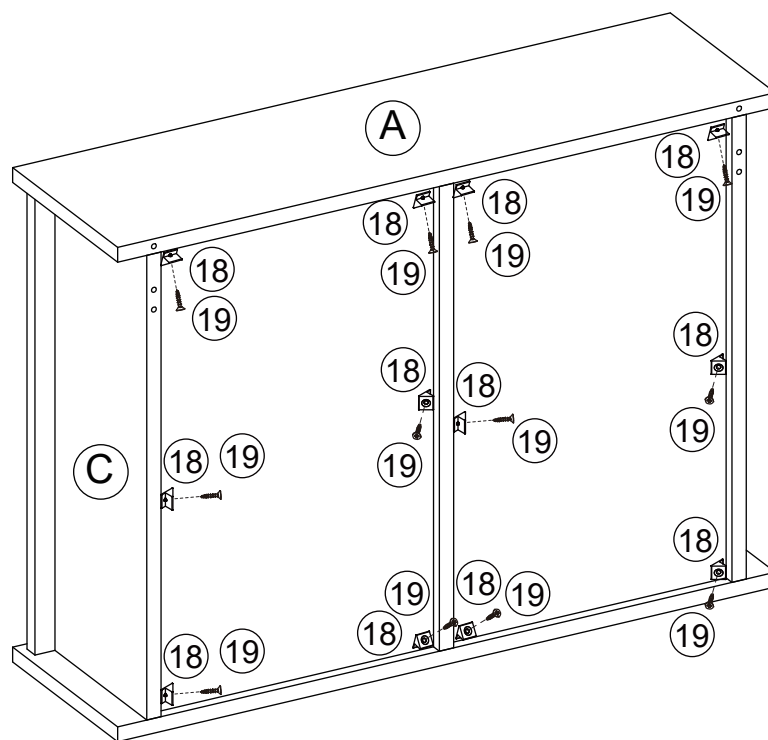


①×6

②×6

③×2


Step 4

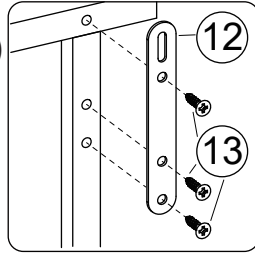
The triangular pieces (18) are added to make the cabinet more stable. Attach the triangular pieces (18) to the back of the cabinet using the screws (19). Use a screwdriver to tighten the screws (19).

(18)×12

(19)×12


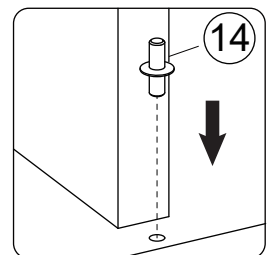
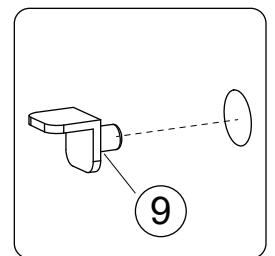
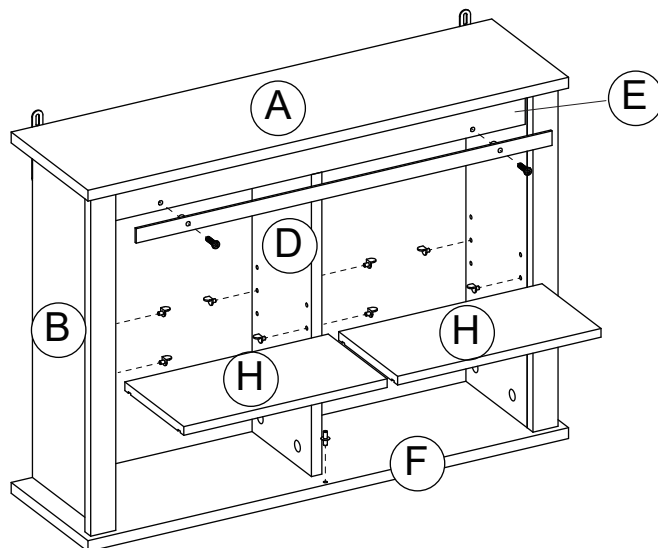
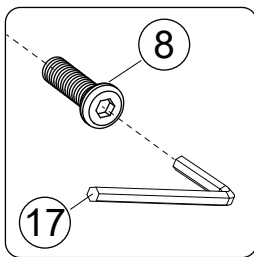
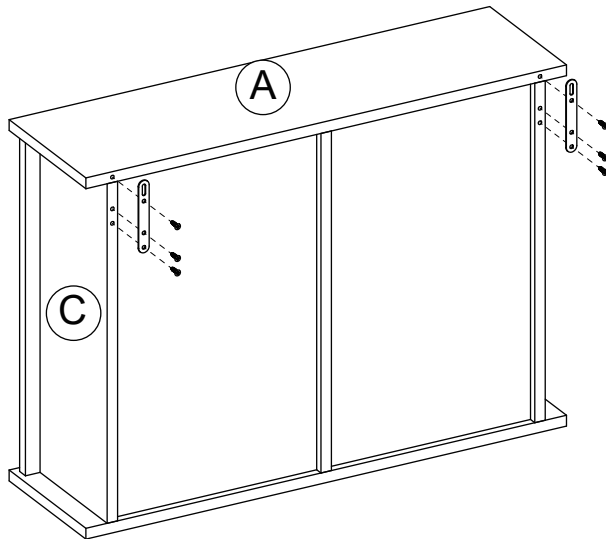


Step 5

Attach (12) to (B)&(C) with screws (13)
 Attach metal runner(15) onto unit with bolt (8)
 as shown with tool (17).
 Insert layer supports (9) into unit,
 then put on the adjustable shelves.
 Insert (14) onto panel (F) as shown.

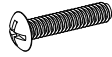


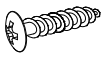



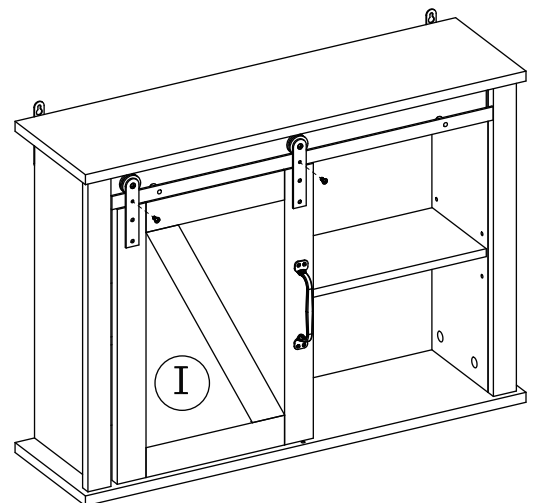
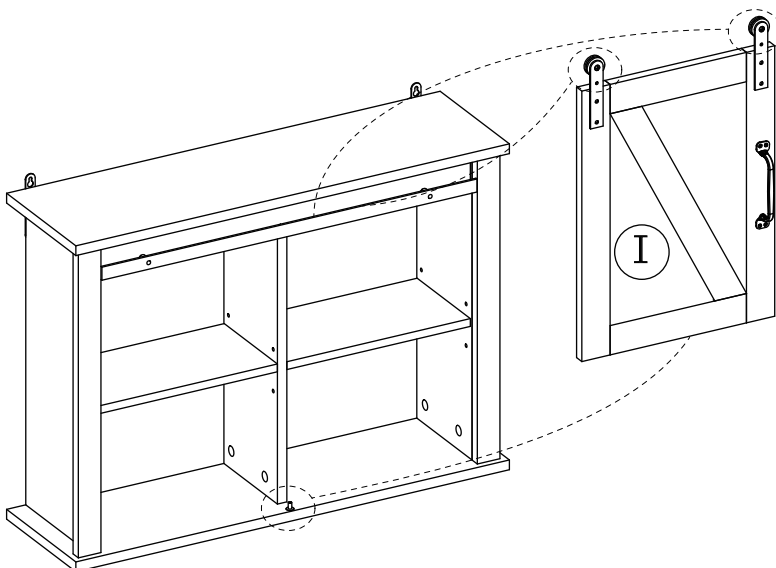
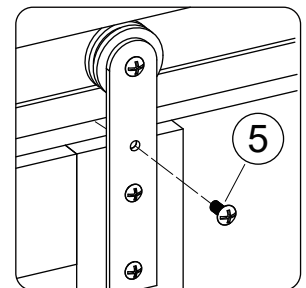
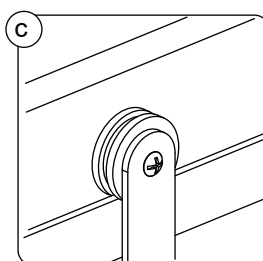
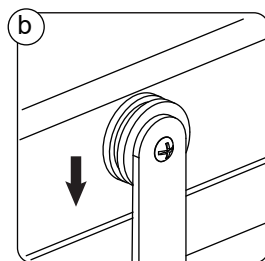
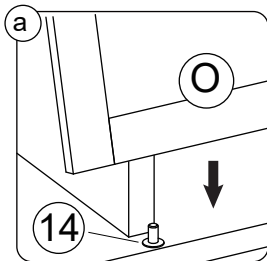
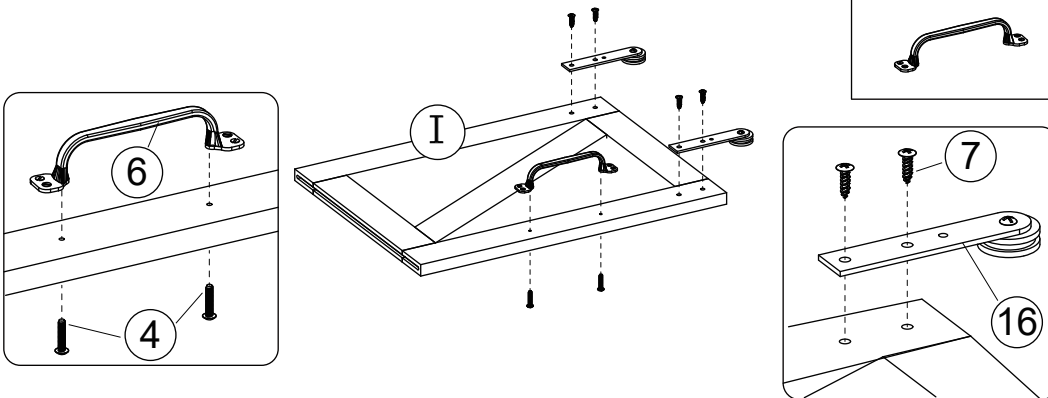
(8)×2	(9)×8
(12)×2	(13)×6
(14)×1	(15)×1
	(17)×1



Step 6

Fix the handle (6) on the door (I) with bolts (4).
 Insert the door (I) into the bolt (14), pull up the door a little to hang the wheels (16) onto the metal runner (15).
 Screw bolts (5) into the hole as shown.

④×2	⑤×2
	
⑥×1	⑦×4
	
	⑬×2
	



Step 7

Drill holes on the wall to input Wall plug (11).

Fix the unit to the wall with Screw (10) and through (12) as shown.

