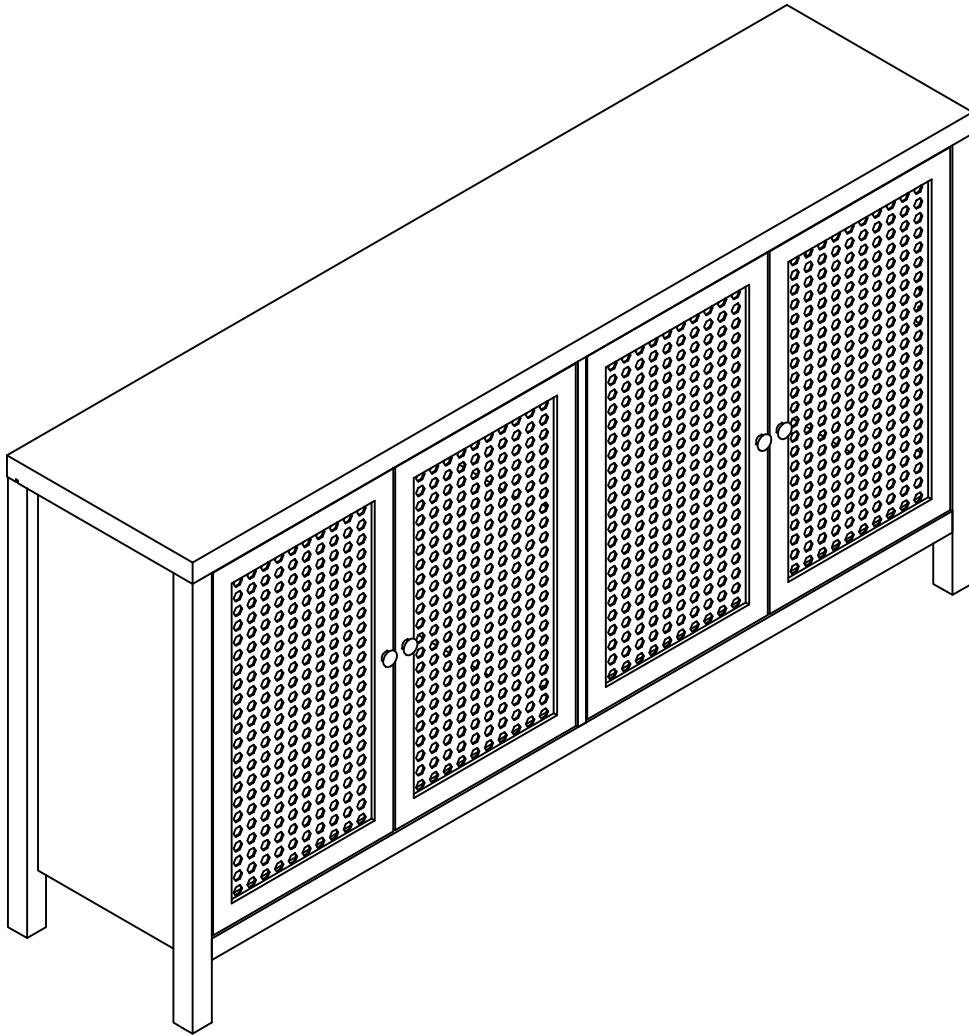


Installation Instruction



Assembling

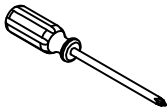
Estimated time for assembly



45 : 00

What you need

- Use the packaging carton as a working surface to prevent product damage during assembly
- Phillips head screwdriver



Weight Limitation



100

lbs table top

35

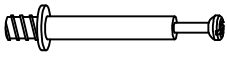
lbs per

What' included

Code	Description	Qty
A	Cam Bolt M6X35MM	20
B	Cam Lock 15X12MM	20
C	Wooden Dowel M8X30MM	12
D	Screw M4X40MM	2
E	Deadbolt	8
F	Iron absorption	4
G	Metal handle	4
H	Screw M3.0X14MM	32
I	Adjustable Leveler	1
J	Nylon Strap	2
K	Anchor	2
L	The back button	16
M	Shelf holder	8
N	Cam Bolt M4X18MM	4
O	Hold hands	4
P	Slub screw M6*30MM	1
Q	Screw M3.5X14MM	2

The Hardwares

A



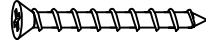
B



C



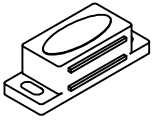
D



E



F



G



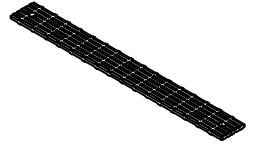
H



I



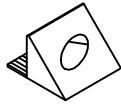
J



K



L



M



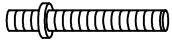
N



O



P



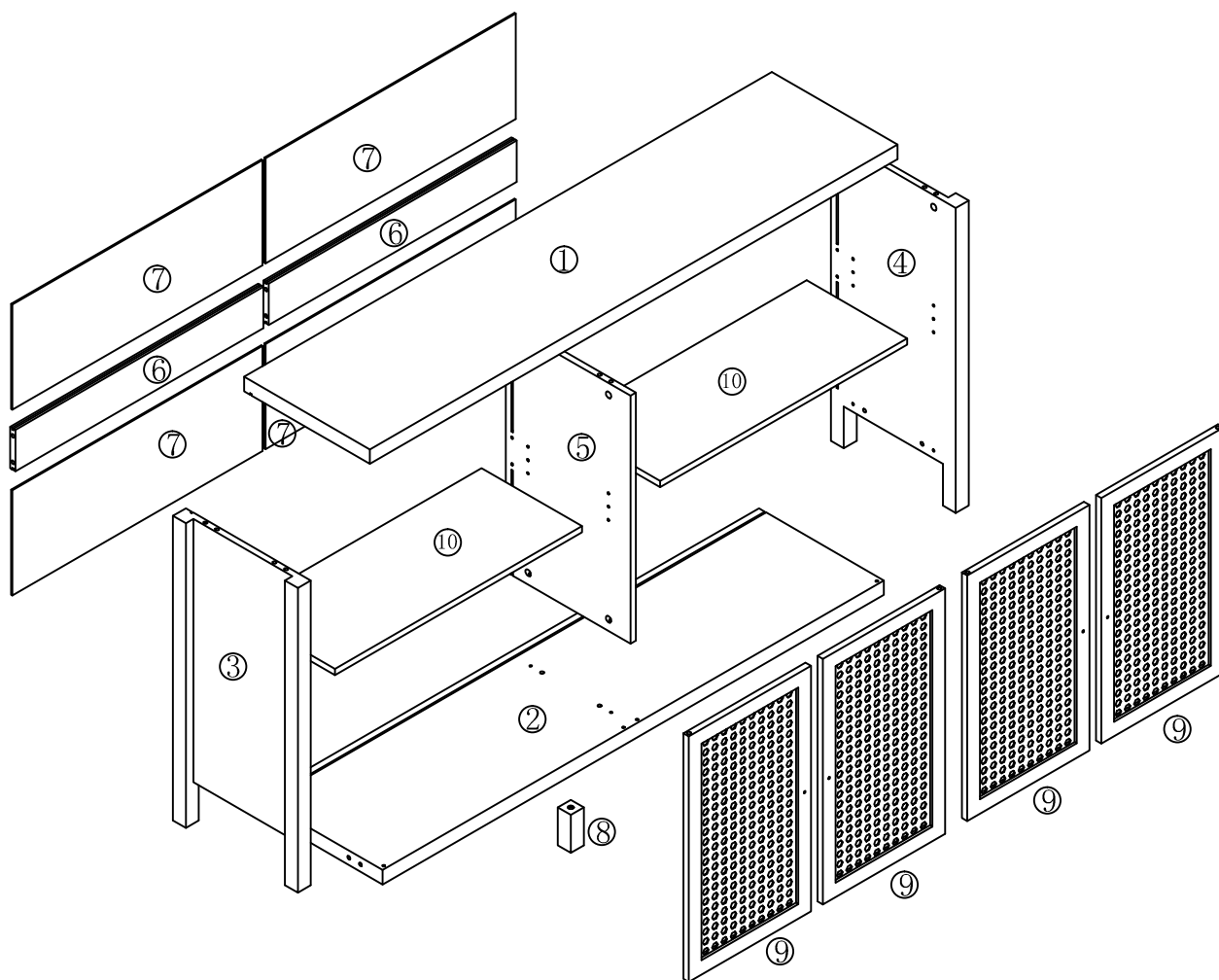
Q



Included Accessories

Code	Description	Qty
1	Cabinet Top	1
2	Bottom Panel	1
3	Left Side Panel	1
4	Right Side Panel	1
5	Neutral plate	1
6	Front support bar	2
7	Back plane	4
8	Adjustable pin	1
9	Metal door	4
10	Movable laminated plate	2

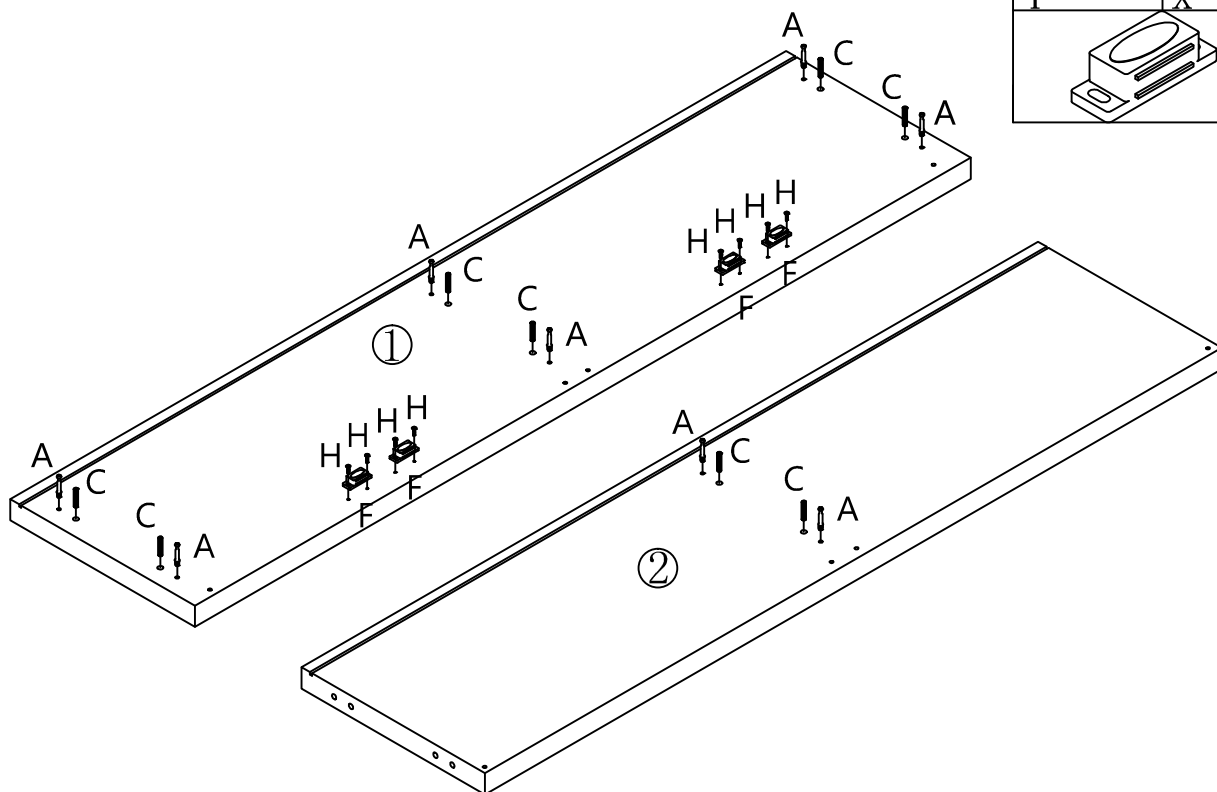
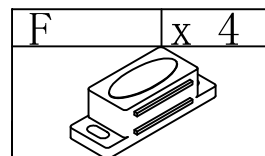
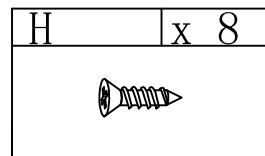
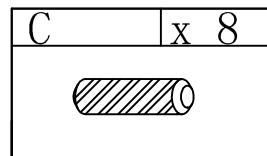
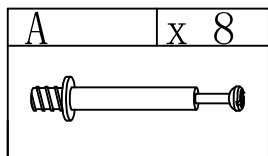
The Accessoriess



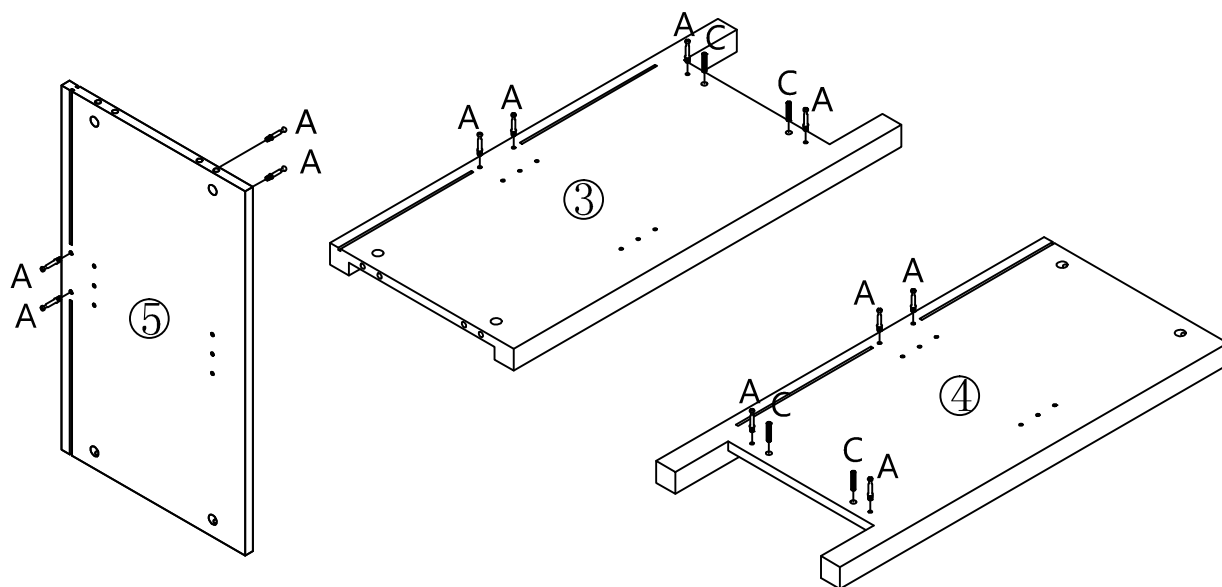
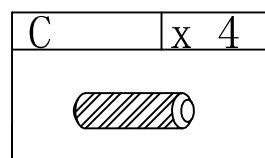
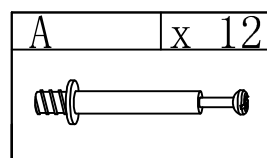
Important!

The cabinet door is woven with natural rattan, the rattan may be looseness or tightness due to humidity , which is a normal phenomenon.

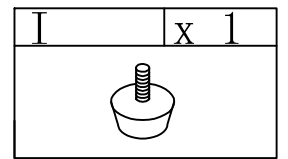
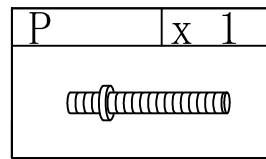
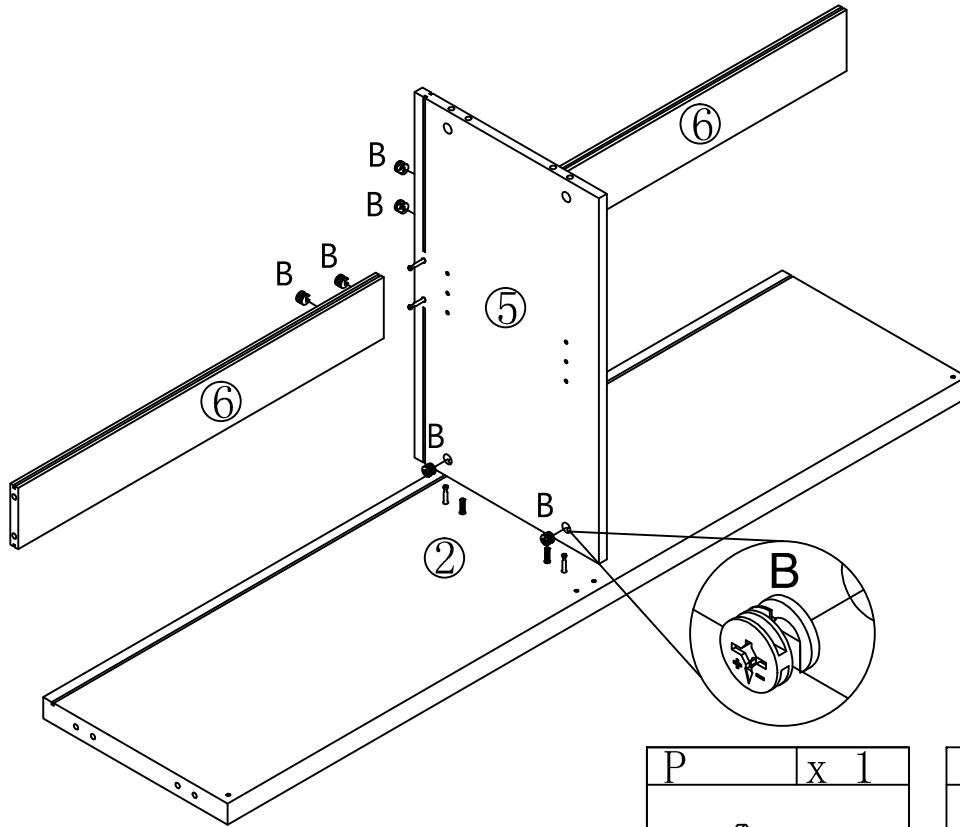
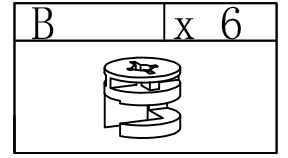
Step 1



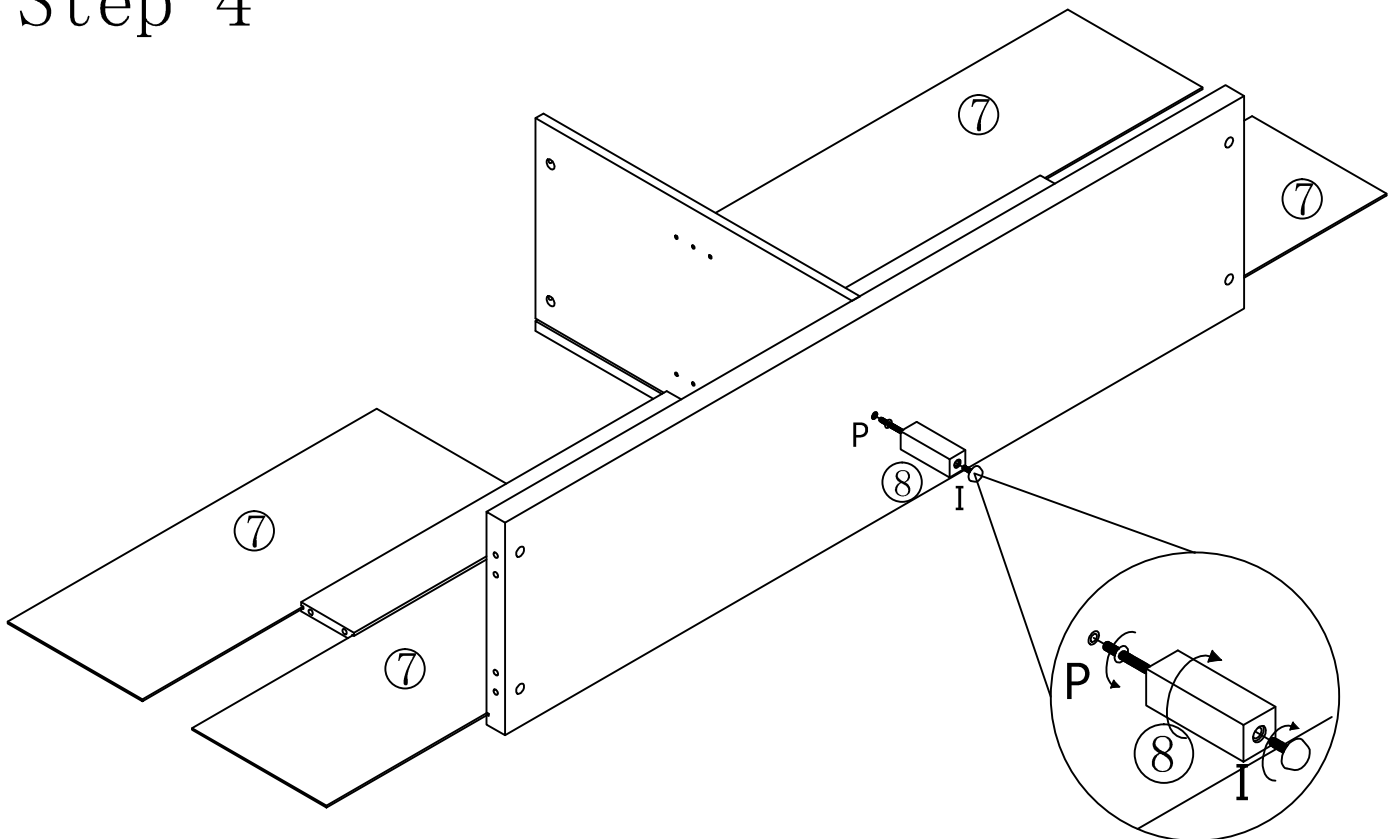
Step 2



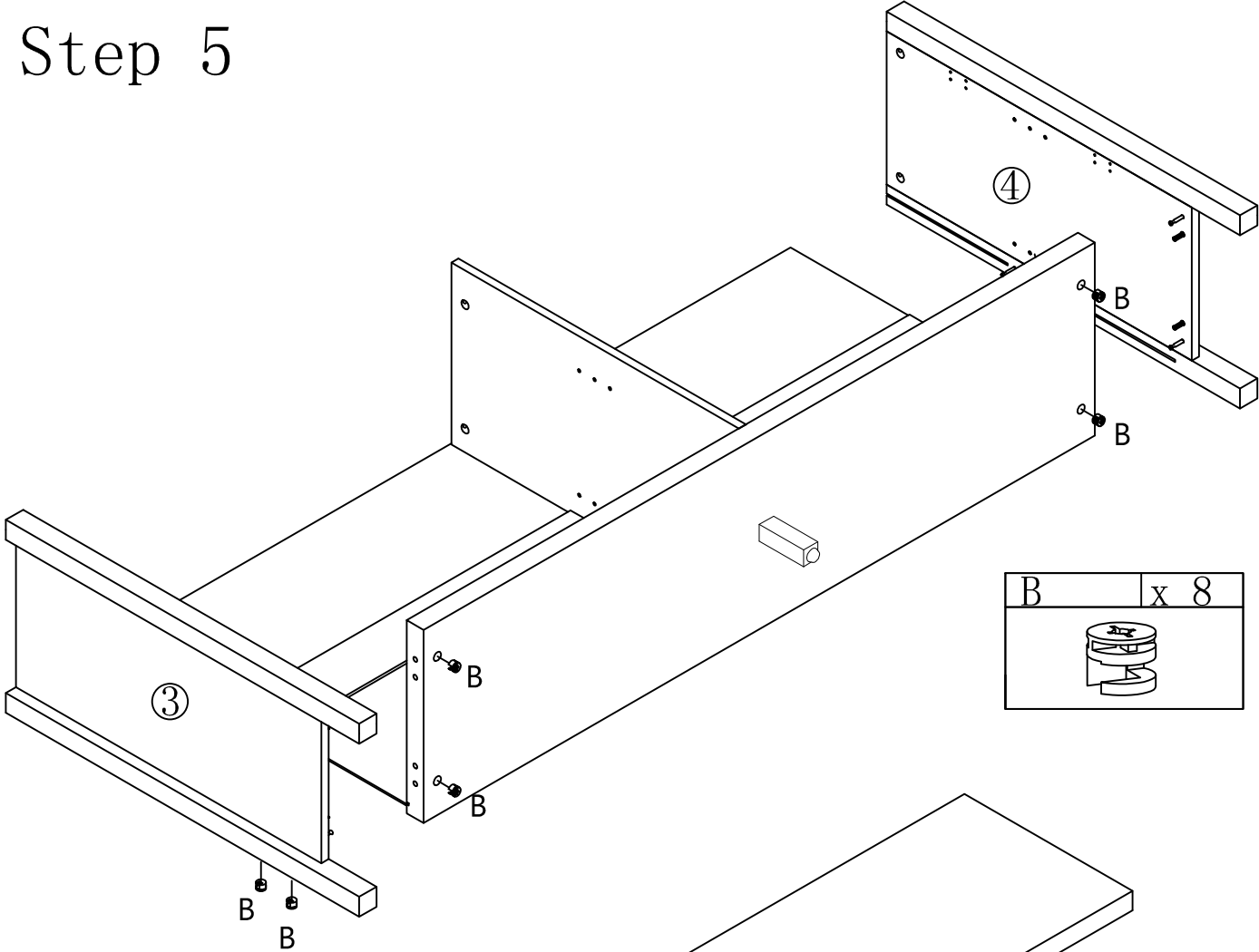
Step 3



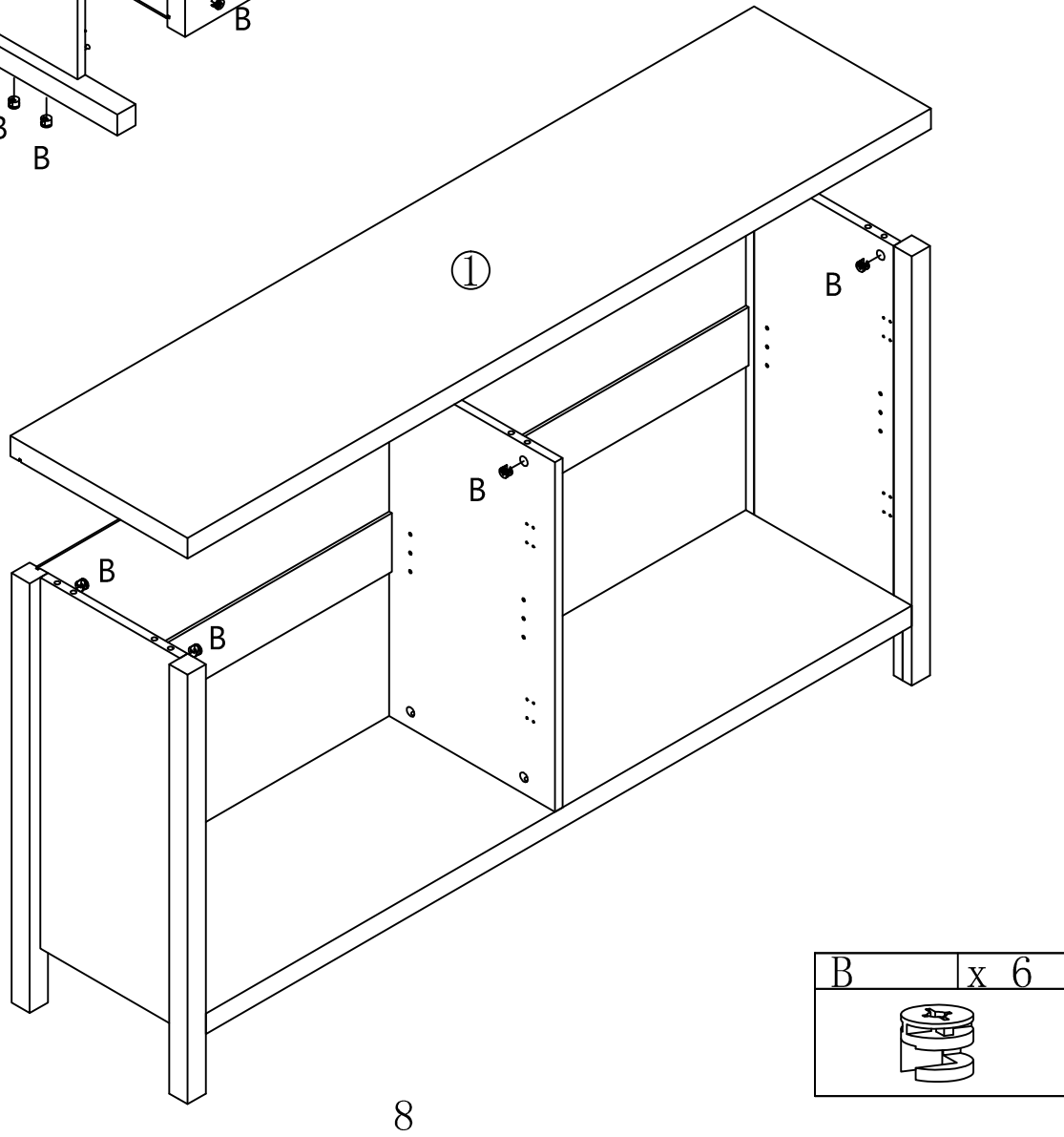
Step 4



Step 5

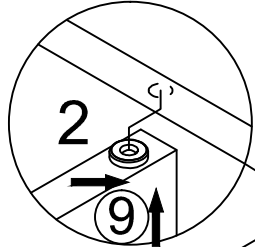
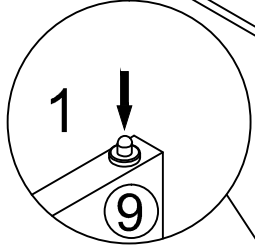
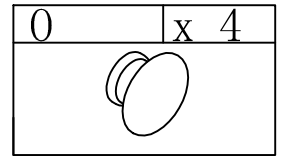
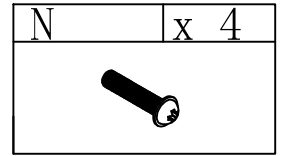
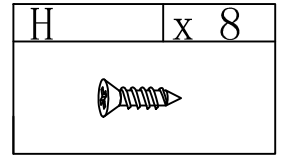
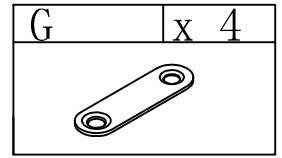
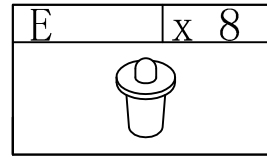
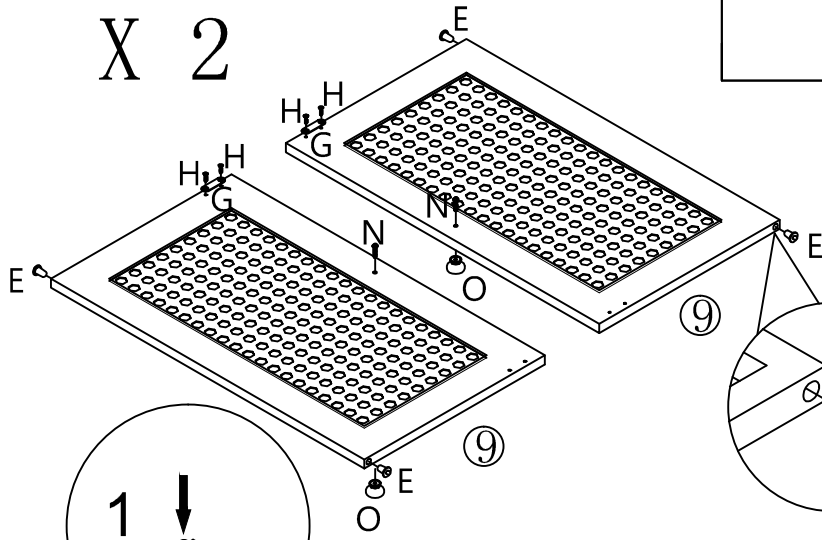


Step 6

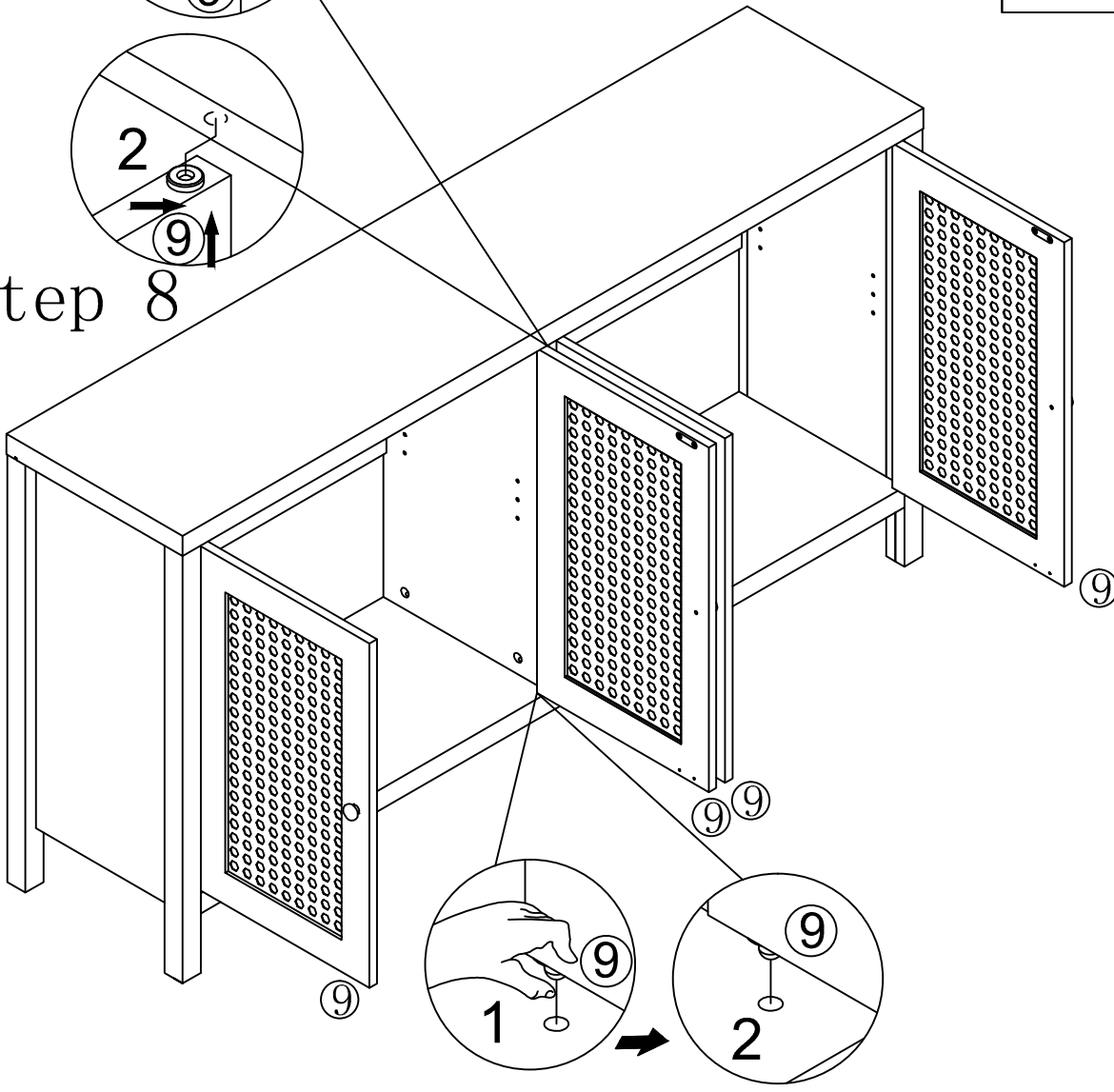


Step 7

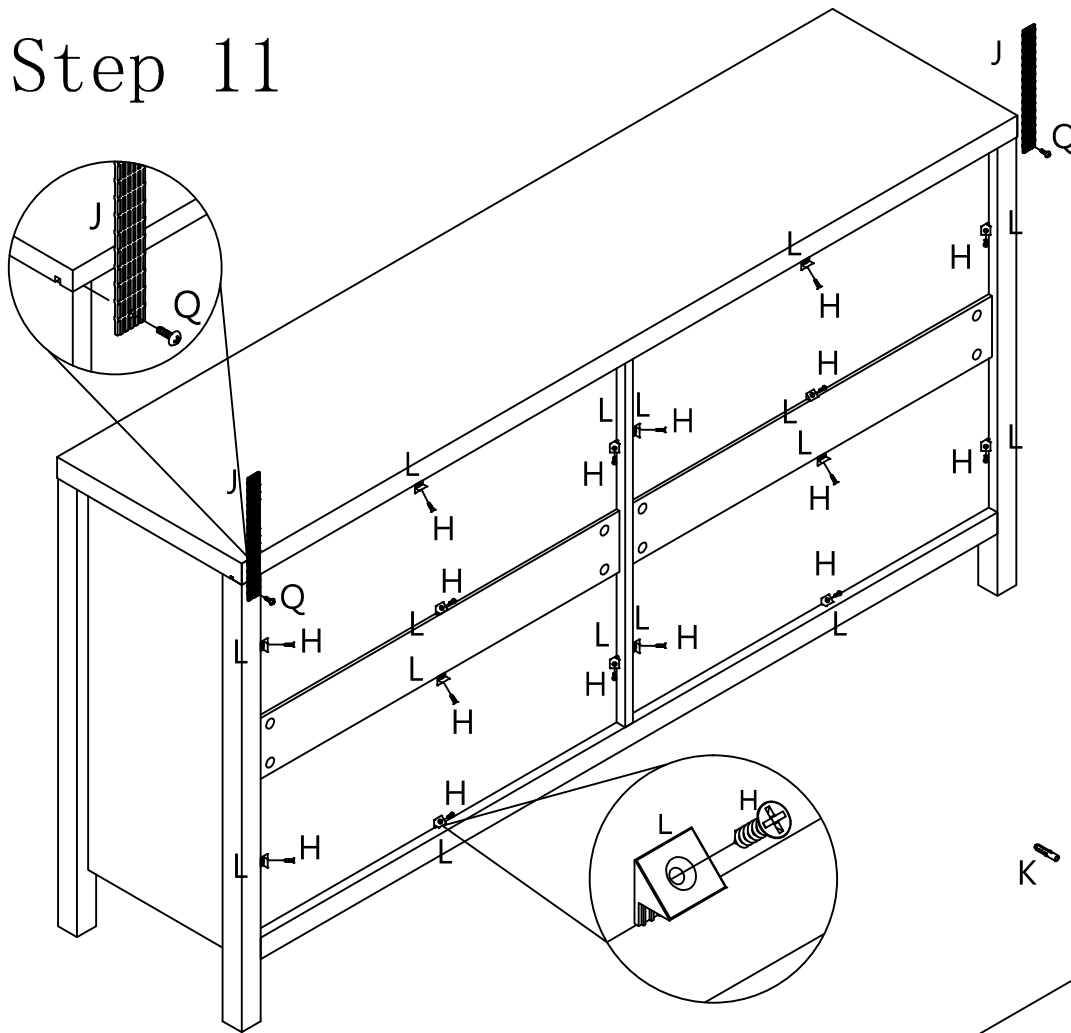
X 2

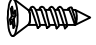


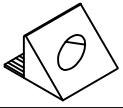
Step 8




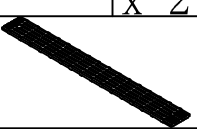
Step 11



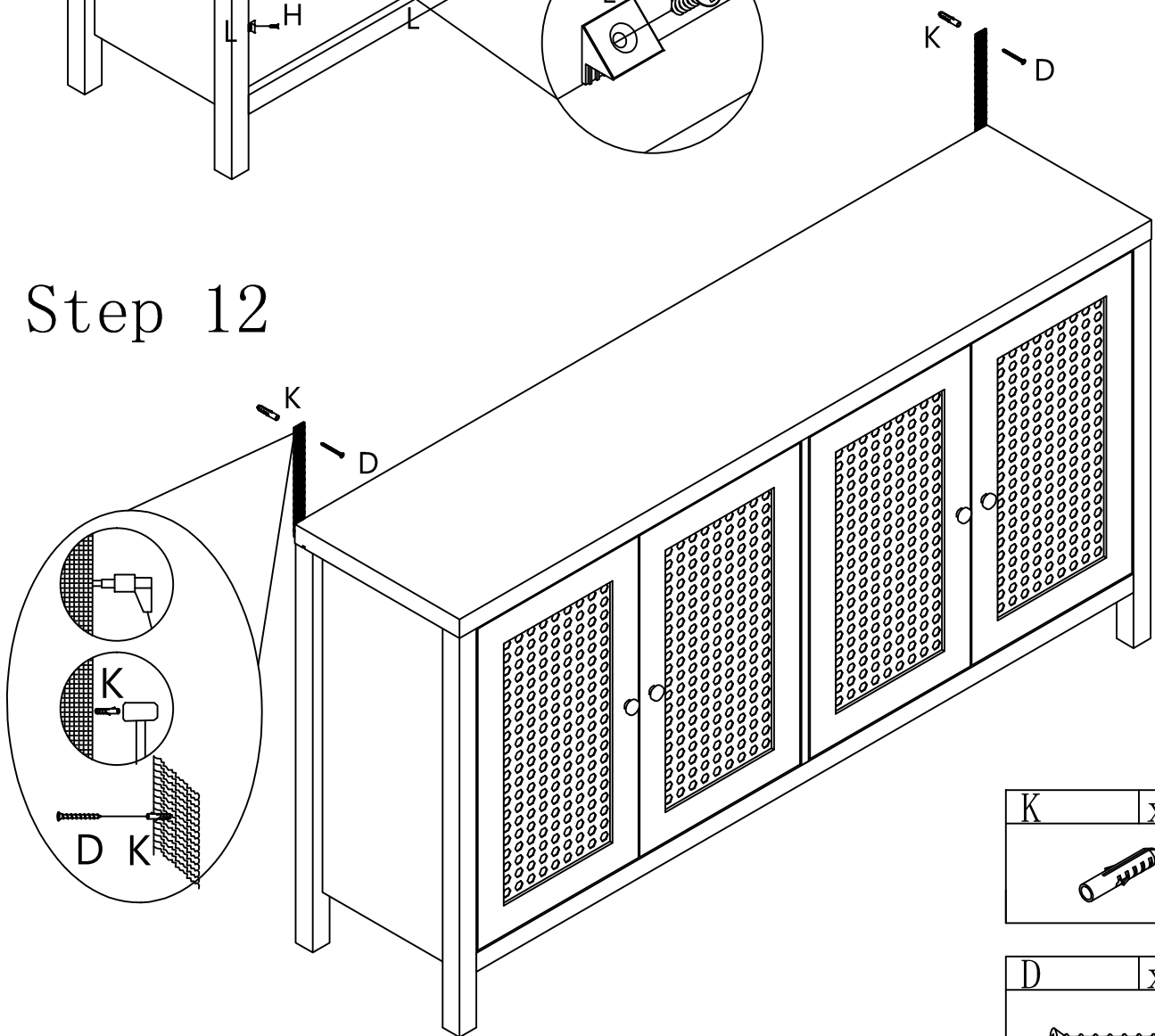
H	x 16
	


L	x 16
	

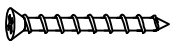
Q	x 2
	

J	x 2
	

Step 12



K	x 2
	

D	x 2
	

Step 13

