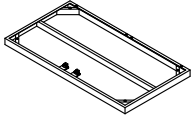


Outdoor Kitchen Storage

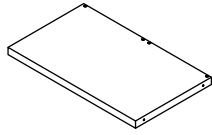
SKU: LTFA5276



parts and components I



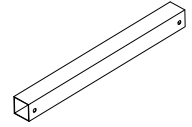
① 1X
Aluminum
Worktop



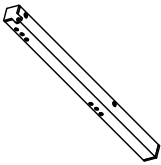
② 1X
Aluminum
Bottom Plate



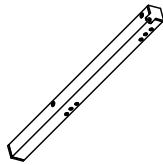
③ 4X
Bracket



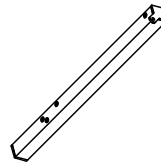
④ 2X
Aluminum
Crosspiece



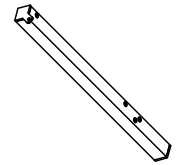
⑤ 1X
Aluminum Leg



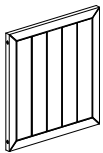
⑥ 1X
Aluminum Leg



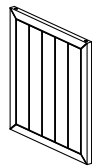
⑦ 1X
Aluminum Leg



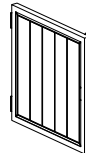
⑧ 1X
Aluminum Leg



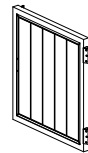
⑨ 2X
Aluminum
Sidewall



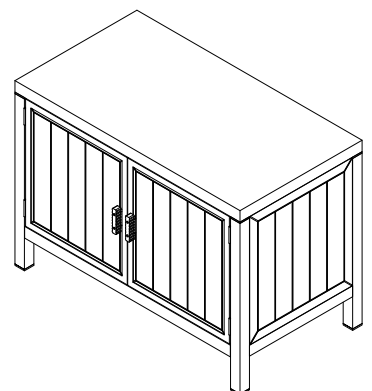
⑩ 2X
Aluminum
Backwall



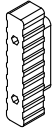
⑪ 1X
Aluminum
Left Door



⑫ 1X
Aluminum
Right Door

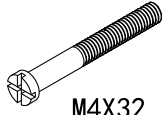


parts and components I



⑬ 2X

Handle



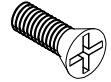
M4X32

⑭ 4X



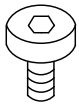
M4

⑮ 4X



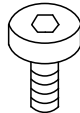
M4*12

⑯ 12X



M6X15

⑰ 28X



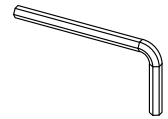
M6X18

⑱ 4X

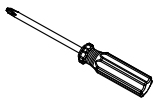


D6

⑲ 4X



⑳ 1X



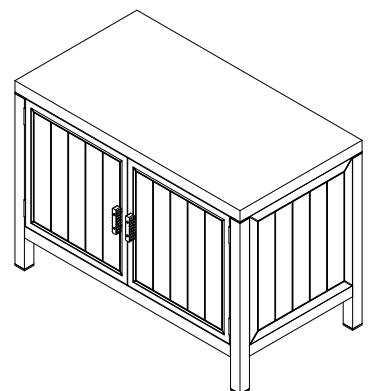
㉑ 1X

Metal Bracket



㉒ 1X

Protective
Cover



Step 1



⑤ 1X

Aluminum Leg



⑥ 1X

Aluminum Leg



⑦ 1X

Aluminum Leg



⑧ 1X

Aluminum Leg



③ 4X

Bracket

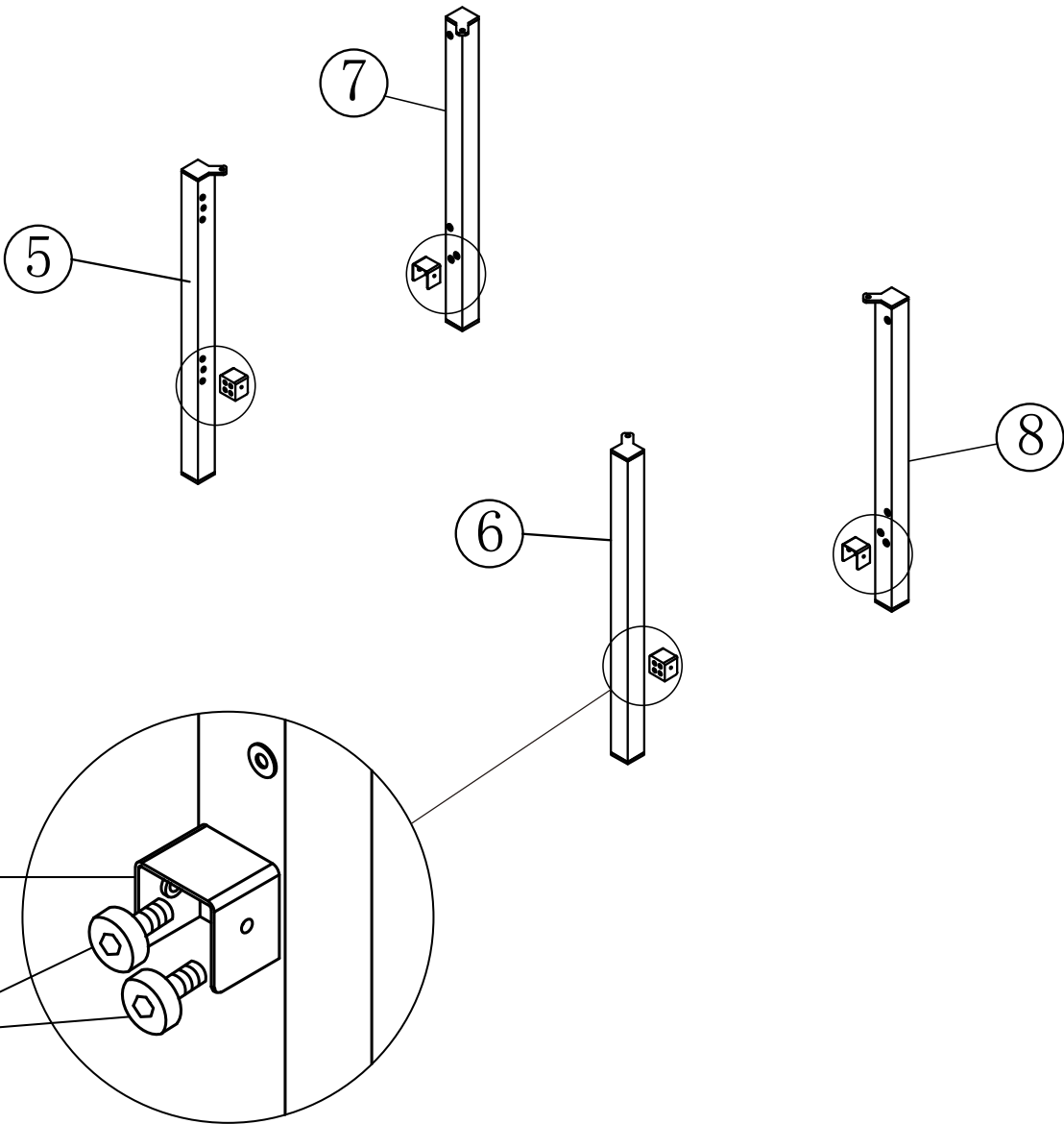


M6X15

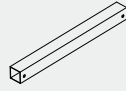
⑰ 8X



⑳ 1X

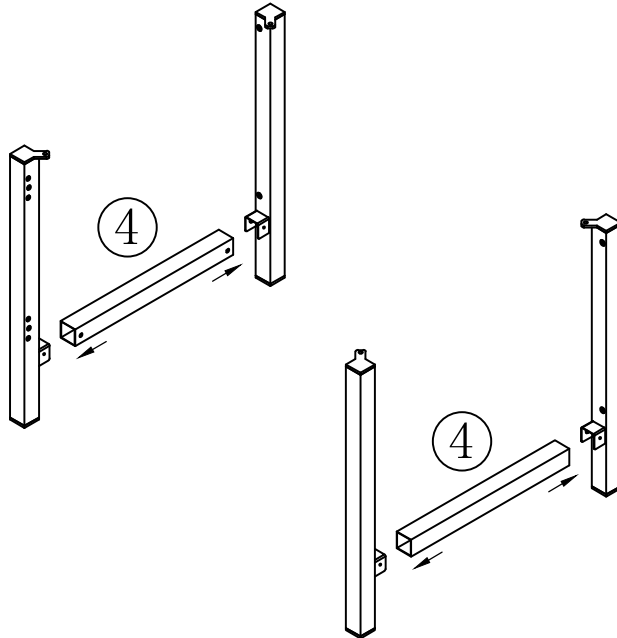


Step 2



④ 2X

Aluminum Crosspiece



Step 3



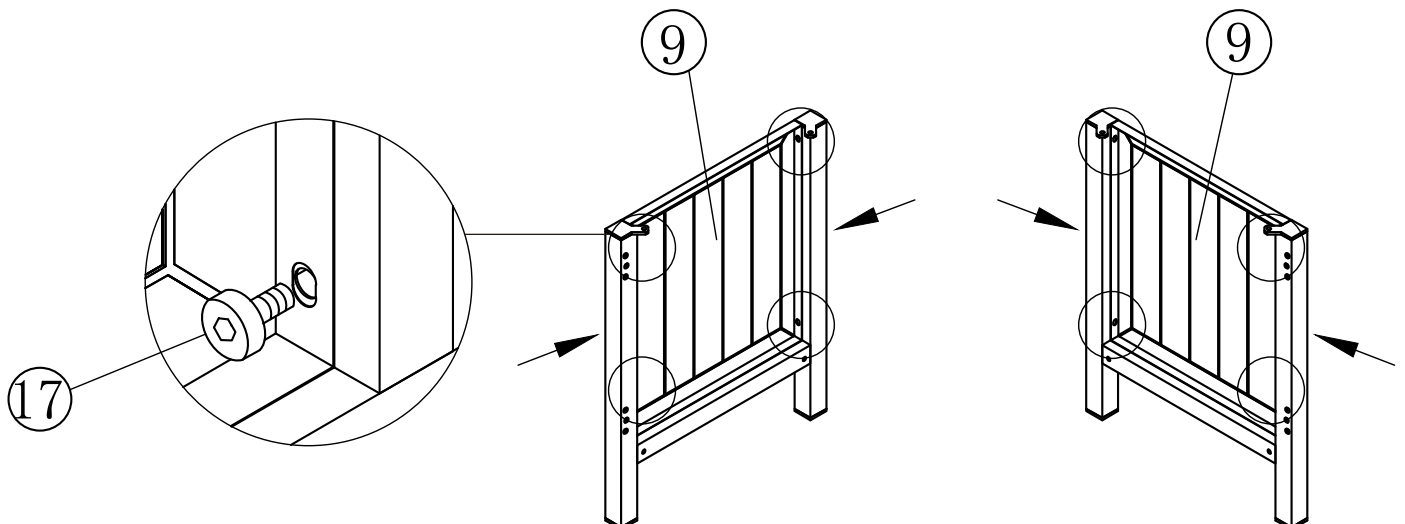
⑨ 2X

Aluminum Sidewall

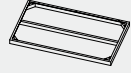


M6X15

⑰ 8X



Step 4



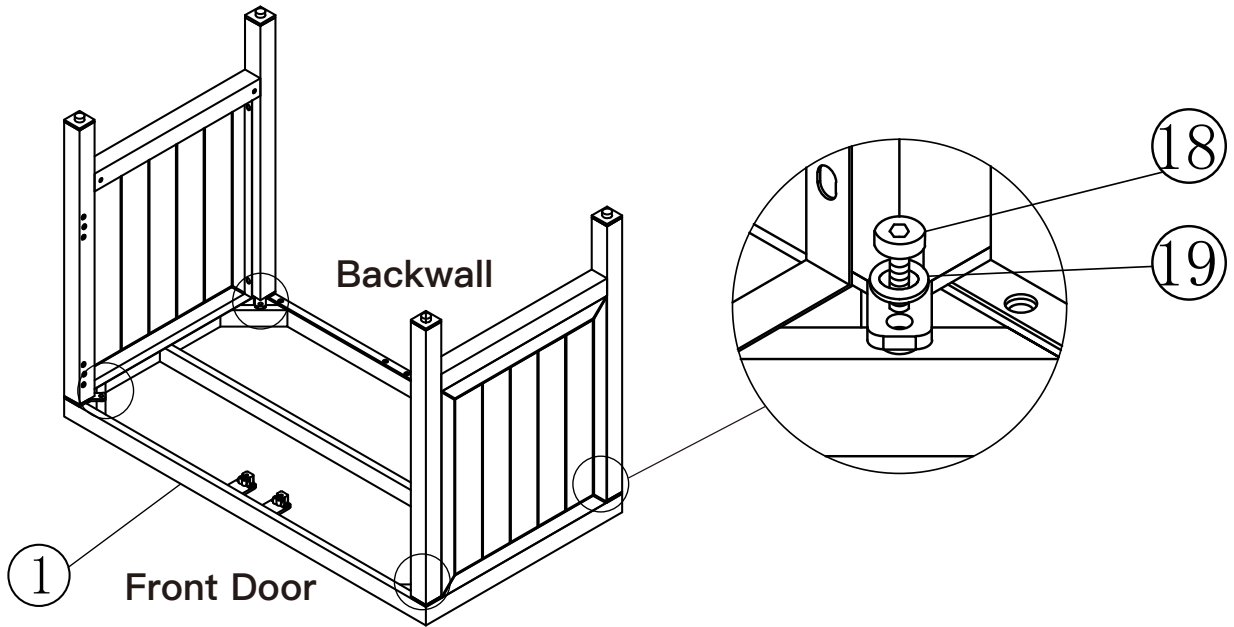
① 1X
Aluminum Worktop



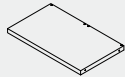
M6X18
⑱ 4X



D6
⑲ 4X



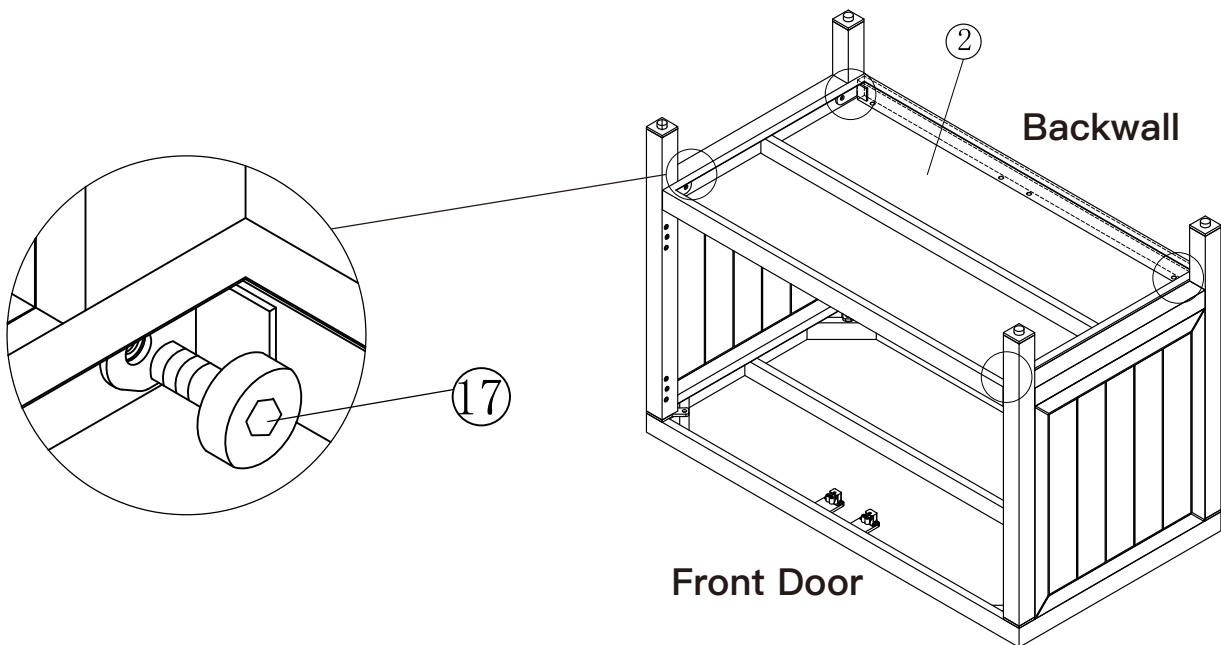
Step 5



② 1X
Aluminum Bottom Plate



M6X15
⑰ 4X



Step 6



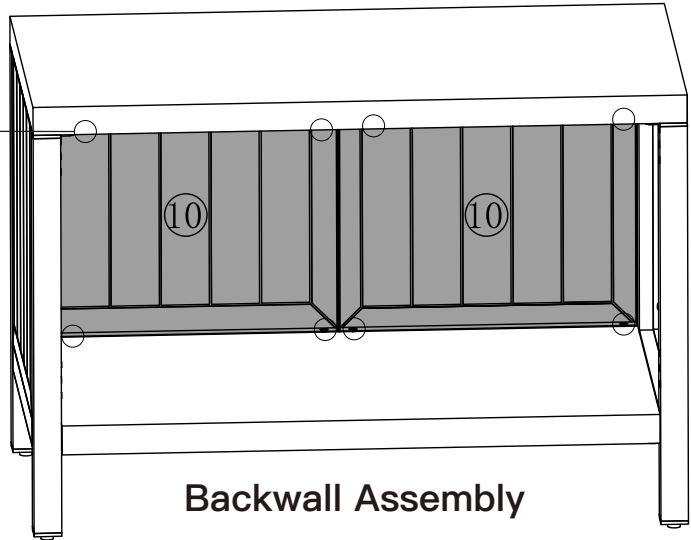
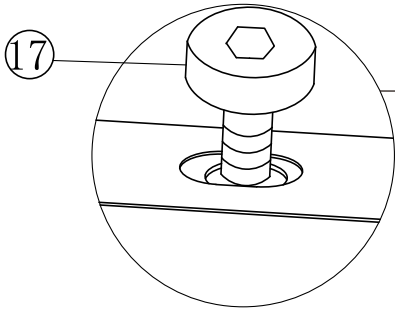
10 2X

Aluminum Backwall



M6X15

17 8X



Backwall Assembly

Step 7



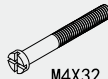
11 1X

Aluminum Left Door



13 1X

Handle



M4X32

14 2X

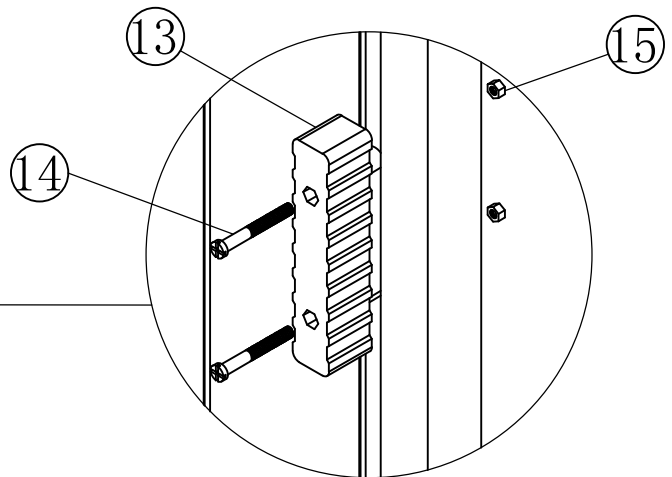
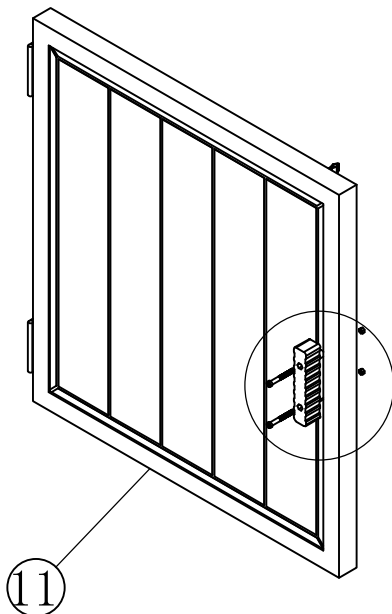


M4

15 2X



21 1X



Step 8



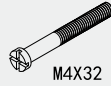
⑫ 1X

Aluminum Right Door



⑬ 1X

Handle



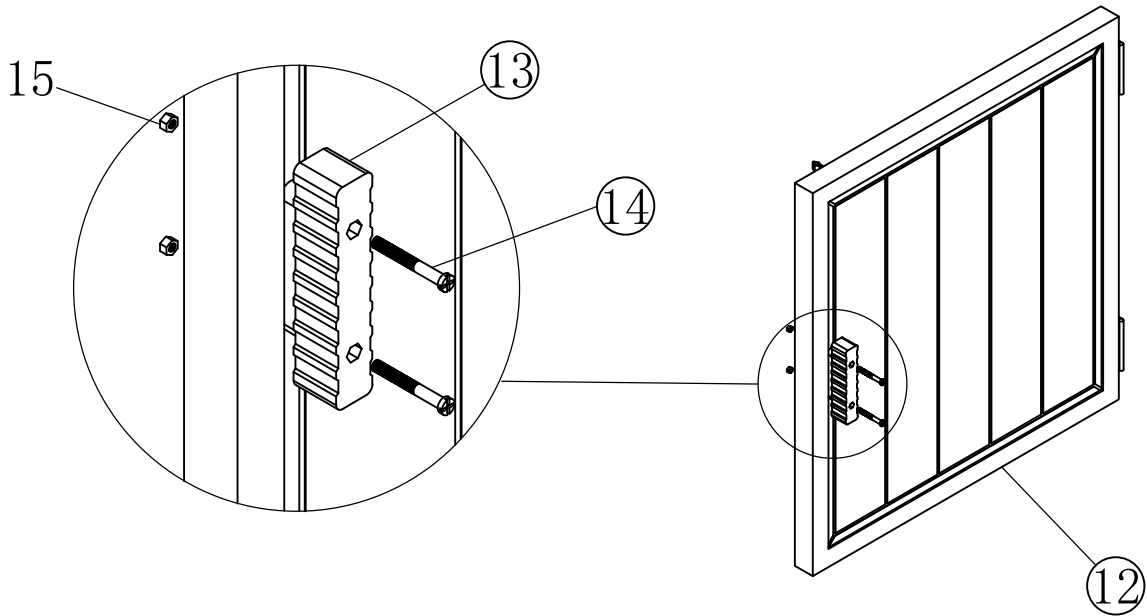
M4X32

⑭ 2X



M4

⑮ 2X



Step 9



⑪ 1X

Aluminum Left Door



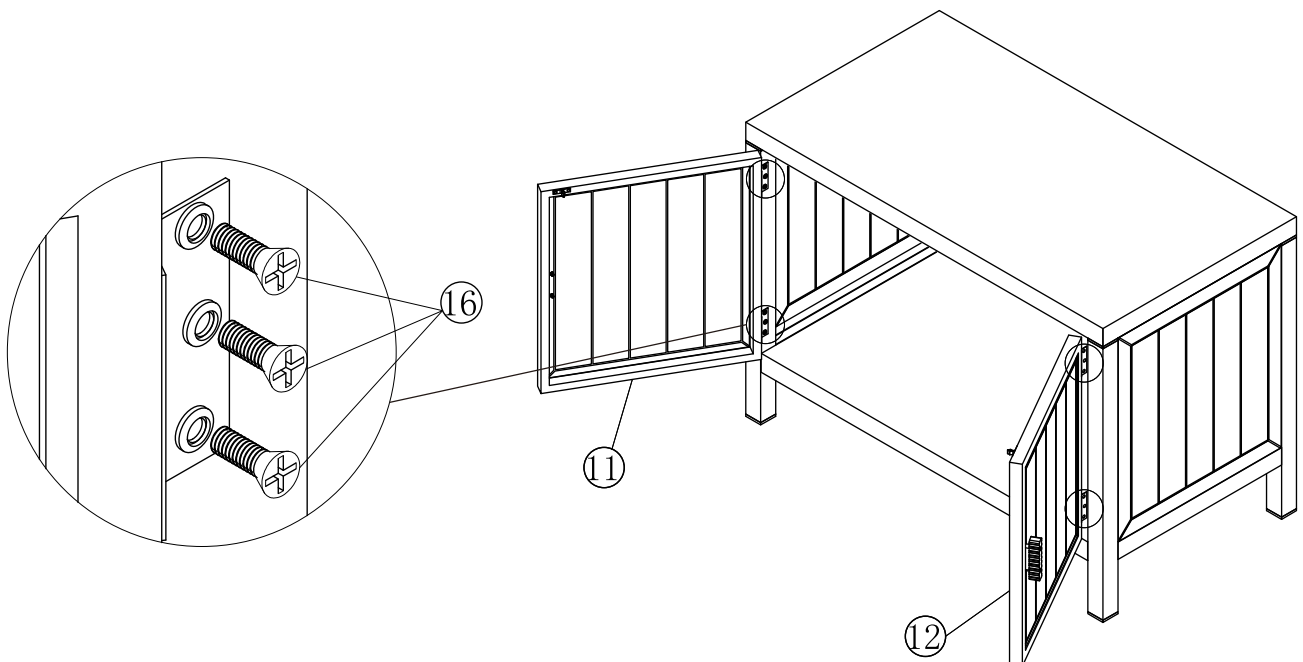
⑫ 1X

Aluminum Right Door

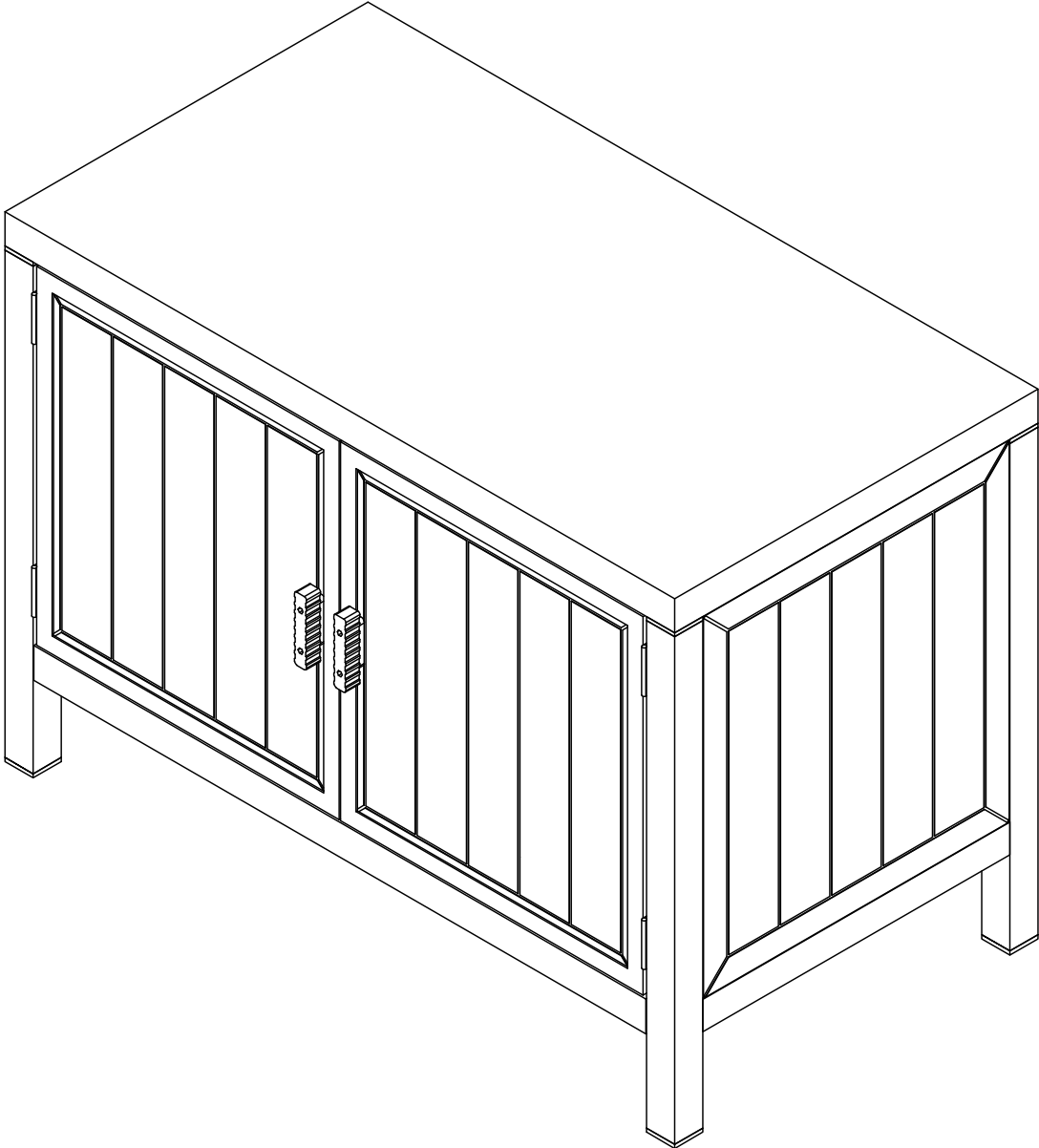


M4*12

⑯ 12X



Step 10



about the outdoor kitchen series

We created the Outdoor Kitchen line because we want everyone to enjoy the outdoors! All outdoor kitchen lines are modular in design, fit together seamlessly and are made of sturdy, durable aluminum countertops for easy connection. Like all domi outdoor products, the Outdoor Kitchen series has stood the test of time and will become a product that consumers trust.



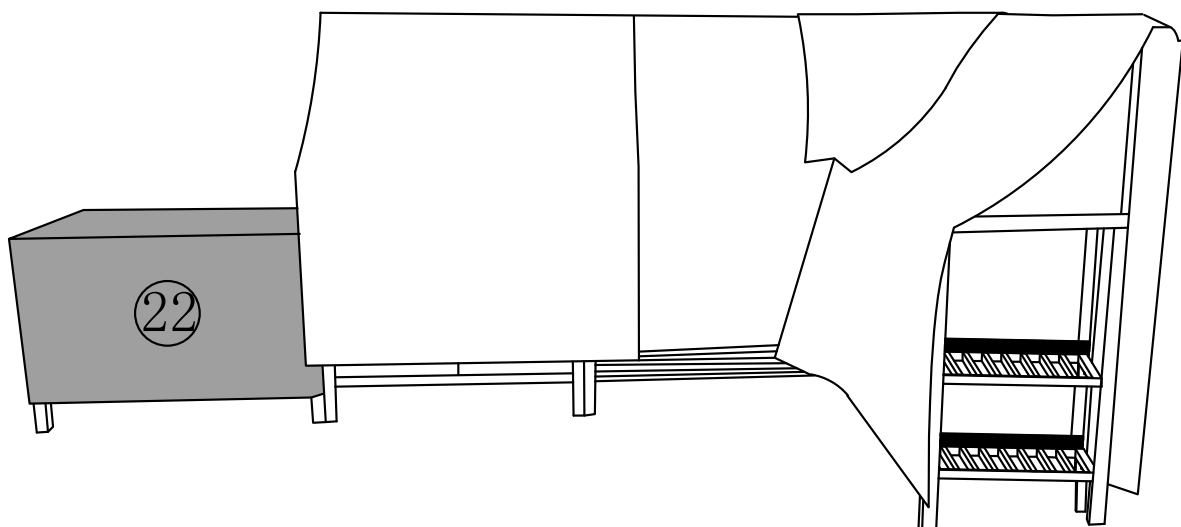
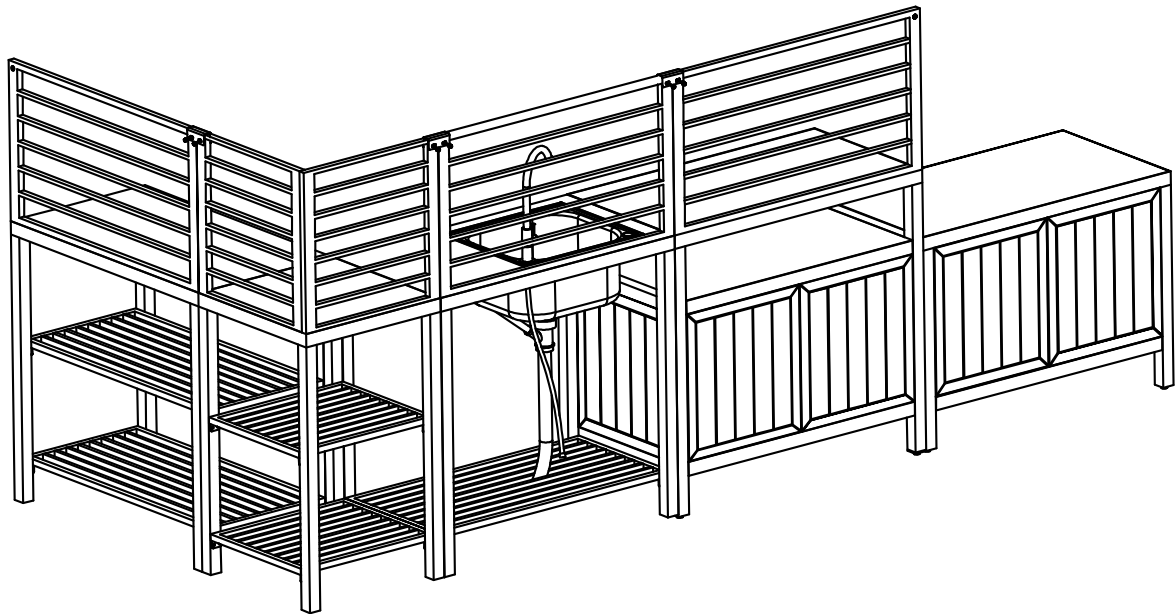
Missing part? Damaged? Contact us via email at
service@domioutdoorliving.com

www.domioutdoorliving.com

Series products



22 1X



about the outdoor kitchen series

We created the Outdoor Kitchen line because we want everyone to enjoy the outdoors! All outdoor kitchen lines are modular in design, fit together seamlessly and are made of sturdy, durable aluminum countertops for easy connection. Like all domi outdoor products, the Outdoor Kitchen series has stood the test of time and will become a product that consumers trust.



Missing part? Damaged? Contact us via email at service@domioutdoorliving.com

www.domioutdoorliving.com
