

ASSEMBLY INSTRUCTION

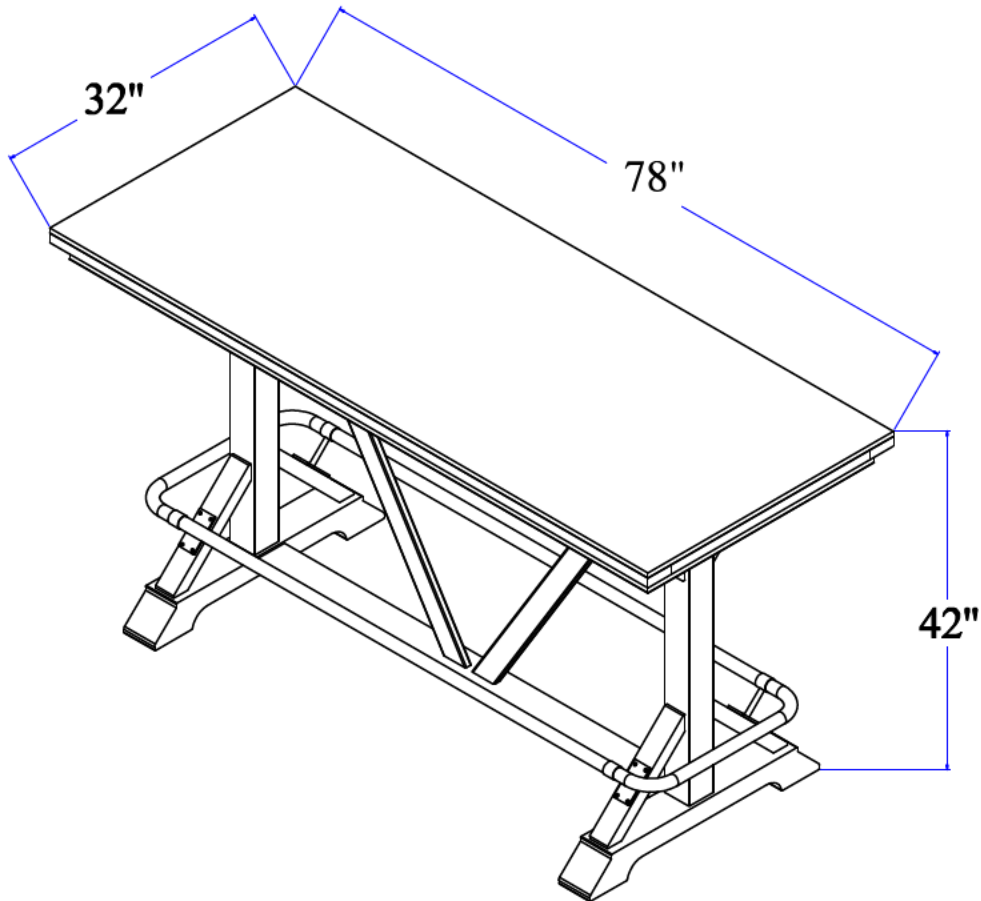
BAR TABLE

Thank you for purchasing this quality product. Be sure to check all packing materials carefully for small parts that may have come loose inside the carton during shipment.

Before you start assembly: Please read all instructions carefully before beginning the assembly process. It is recommended that 2 people work together during assembly to prevent personal injury and to ensure that heavy or cumbersome parts are not damaged during the process.

CAUTION: For your safety, this product requires two people to lift.

Assembled Dimensions



20 MINUTES

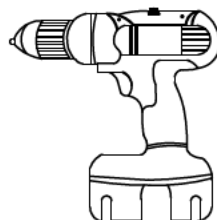
APPROXIMATE ASSEMBLE TIME



2 PERSON



REQUIRED ASSEMBLY SPACE

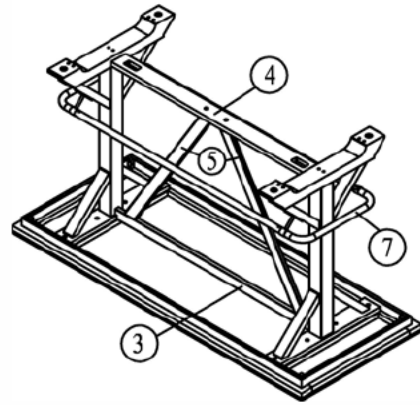
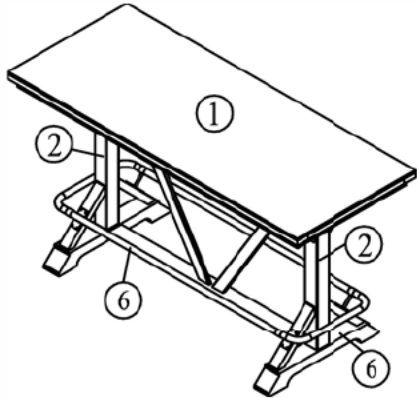



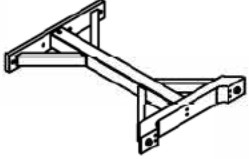

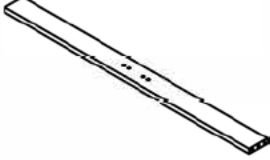


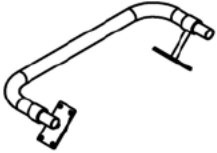

RECOMMENDED ASSEMBLY TOOLS

NOT PROVIDED

BAR TABLE

PART LIST

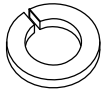


NO.		PART LIST	QTY
(1)		Top Panel	1
(2)		Leg	2
(3)		Upper Stretcher R	1
(4)		Bottom Stretcher	1
(5)		V-shaped Stretcher	2
(6)		Metal Rod Footrest	2
(7)		U-shaped Metal Footrest	2
(8)		Leveler	4

BAR TABLE

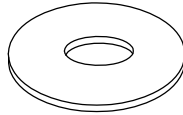
HARWARE LIST

A



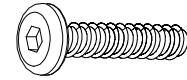
16X
Ø 5/16"*12*2mm
SPRING WASHER

B



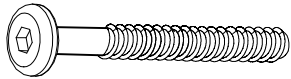
16X
Ø 5/16"*16*2mm
FLAT WASHER

C



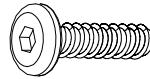
12X
Ø 5/16"*38mm
SHORT BOLT

D



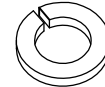
4X
Ø 5/16"*76mm
LONG BOLT

E



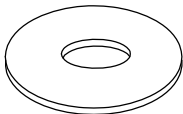
4X
Ø 1/4"*19mm
SHORT BOLT

F



4X
Ø 1/4"*10*2mm
SPRING WASHER

G



4X
Ø 1/4"*16*2mm
FLAT WASHER

H



16X
Ø 8*38mm
SCREW

I



1X
M4*59mm
"L" ALLEN KEY

J



1X
M4*100mm
"STRAIGHT" ALLEN KEY

BAR TABLE

STEP 1



4X

4X

4X

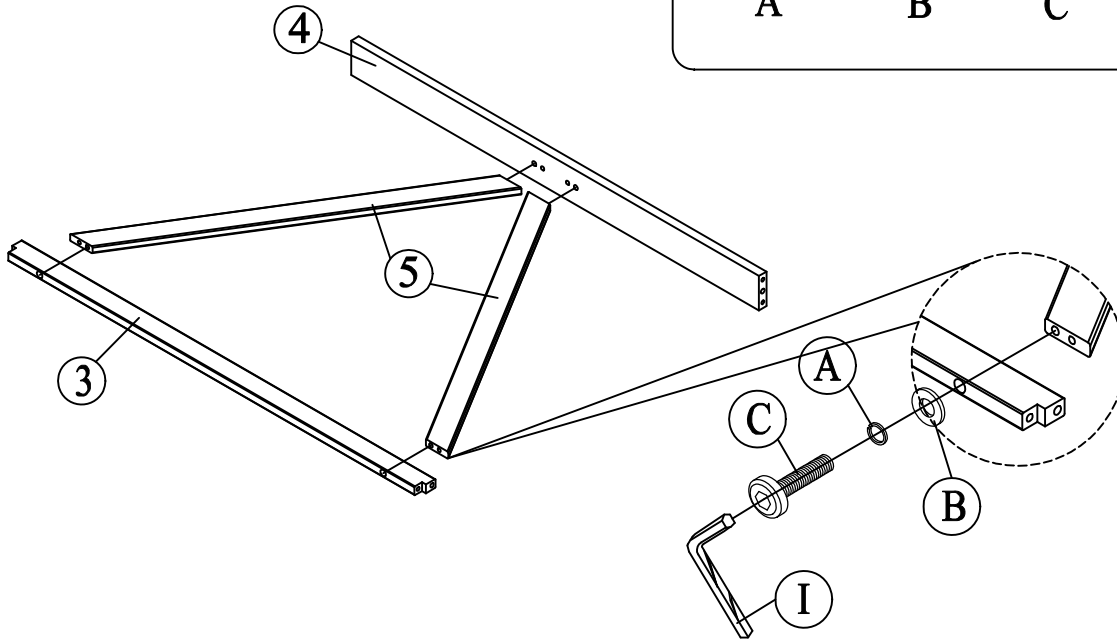
1X

A

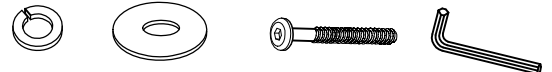
B

C

I



STEP 2



4X

4X

4X

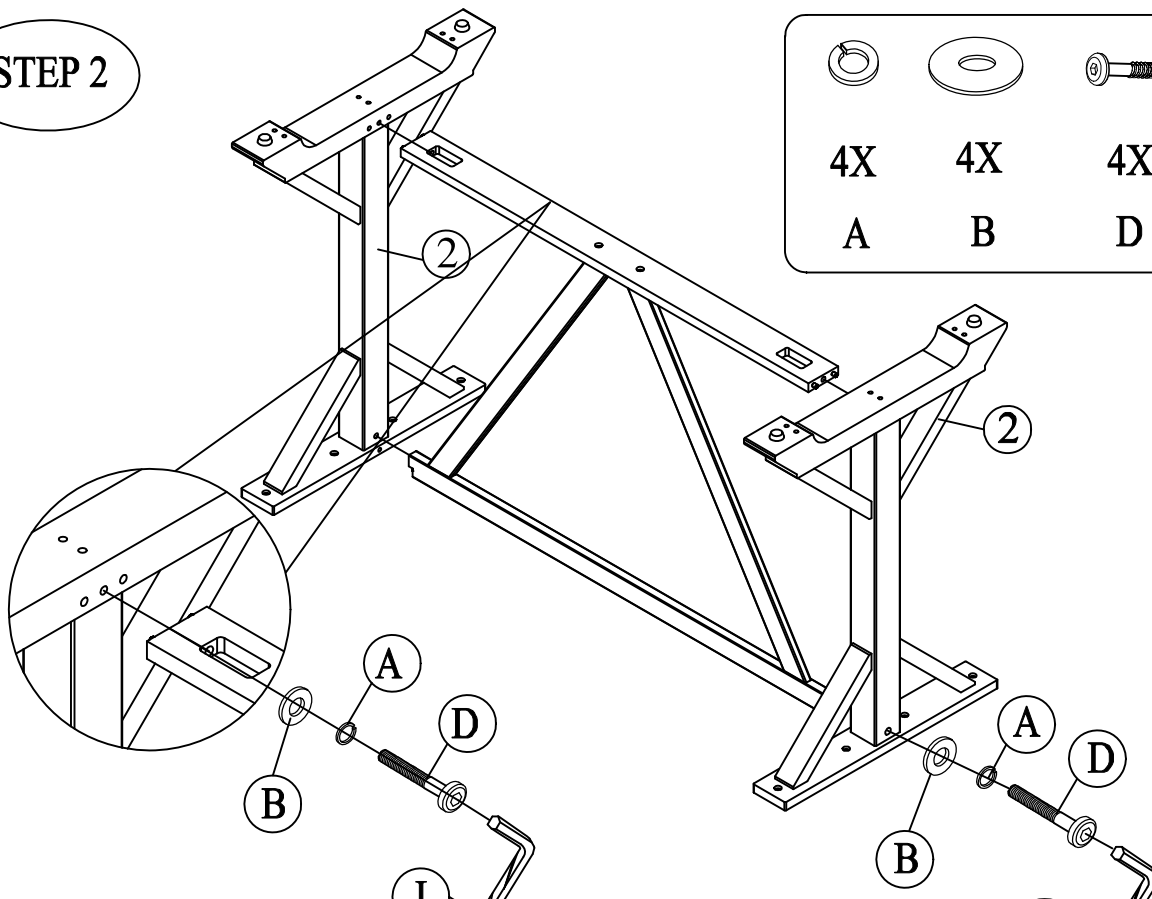
1X

A

B

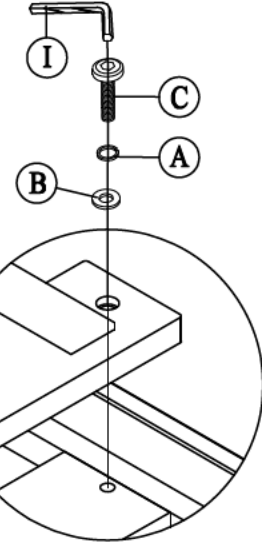
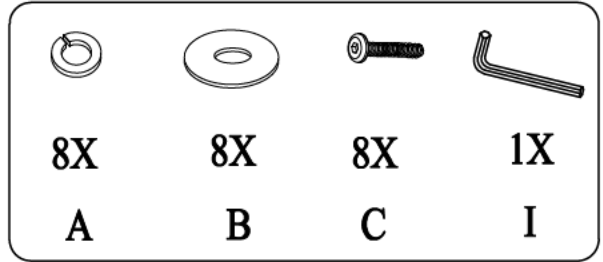
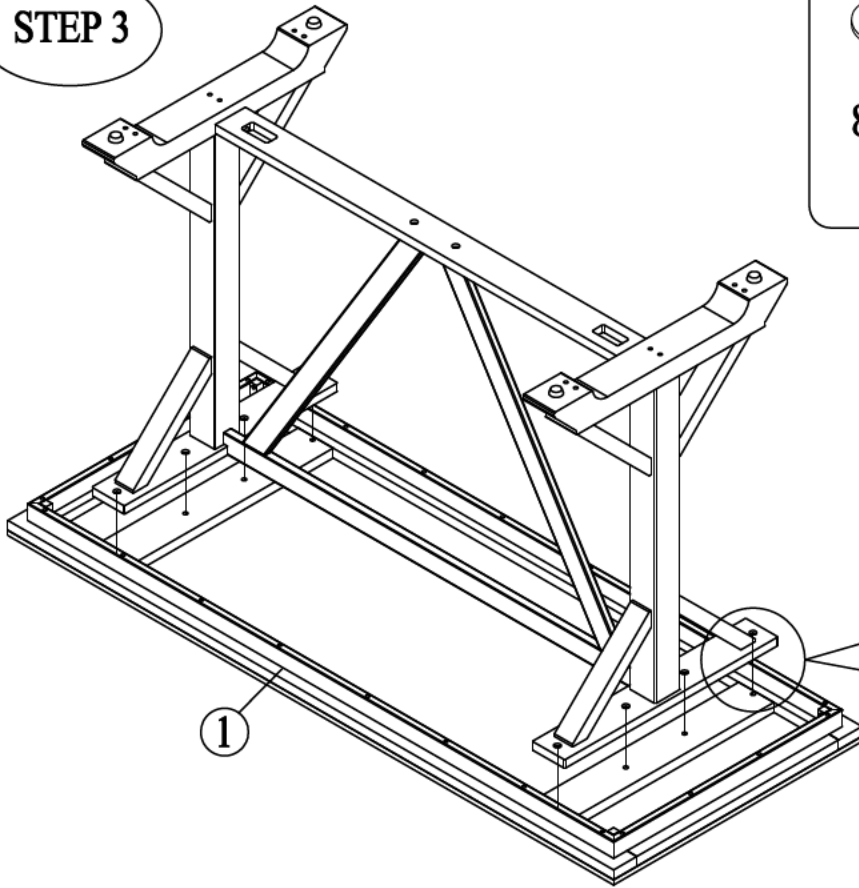
D

I

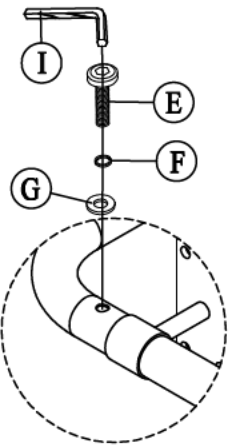
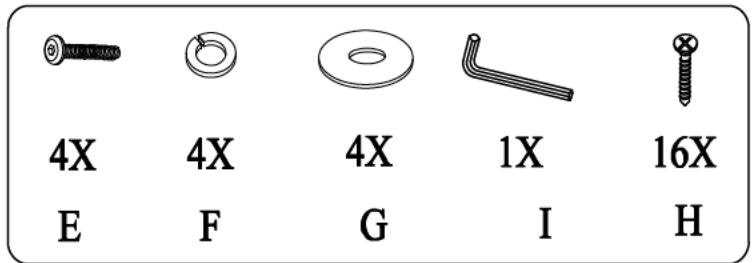
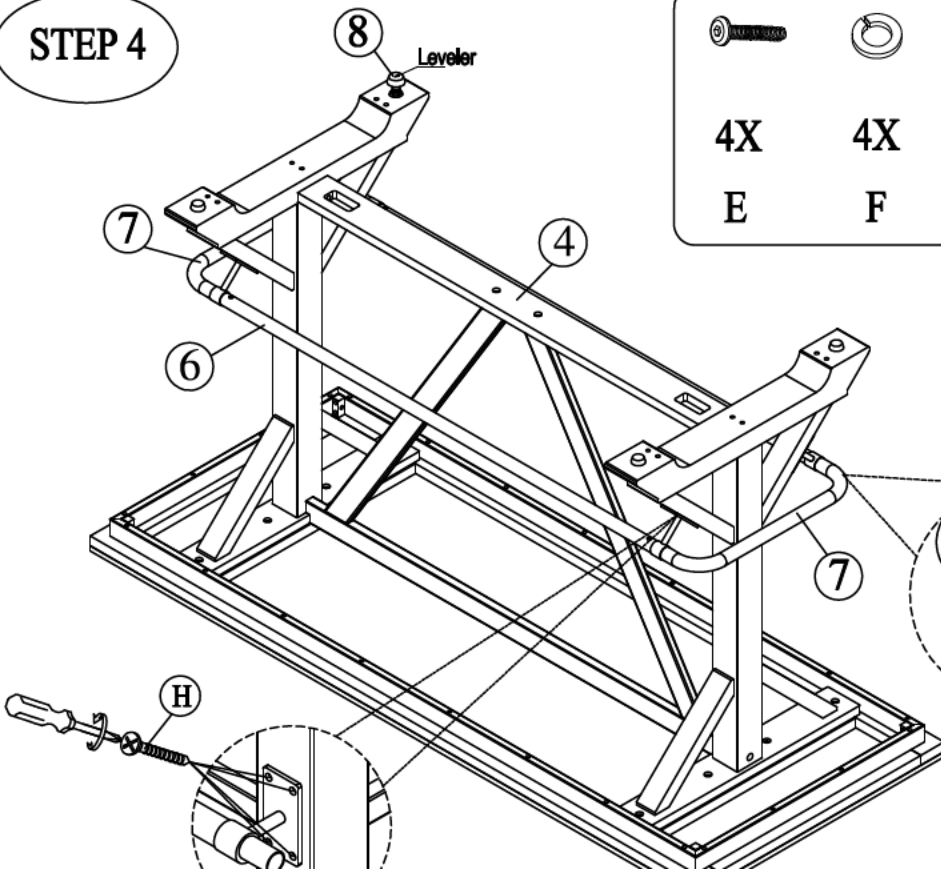


BAR TABLE

STEP 3



STEP 4



BAR TABLE

STEP 5

