

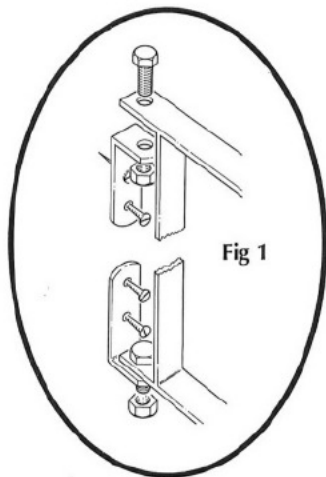
FITTING INSTRUCTIONS

To find the correct instructions for your fittings pack please follow the index below:

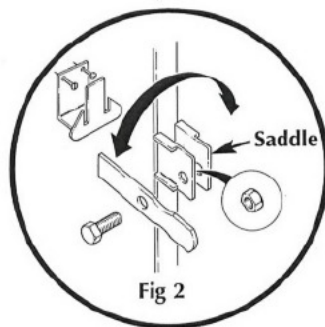
- SECTION 1: FIXED HINGE SINGLE GATES
- SECTION 2: FENCING AND RAILINGS
- SECTION 3: ADJUSTABLE HINGE SINGLE GATES
- SECTION 4: FIXED HINGE DOUBLE GATES
- SECTION 5: ADJUSTABLE HINGE DOUBLE GATES

SECTION 1: FIXED HINGE SINGLE GATES

HINGES



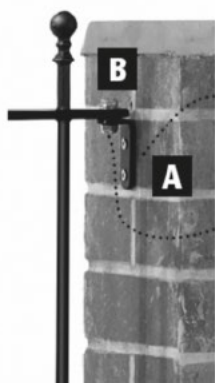
LATCH



- 2 x hinge brackets (2 hole or 4 hole), 3 x nuts & bolts, tip latch and catch.
- Loosely attach the hinge brackets to the gate hinge lugs.
- Position the gate against the wall or post, at the desired height off the floor.
- Mark the position of the hinge bracket screw holes. Low single gates are supplied with 2 screw hole angle brackets. Most tall single gates are supplied with 4 screw hole hinge brackets.
- Drill the screw holes.
- Fix brackets to metal post using suitable self-tapping screws, or to timber posts with suitable timber screws, or to brickwork using suitable wall plugs and screws. (screws and wall plugs are not supplied).
- Hang gates onto the brackets using nuts and bolts, tightened to still allow the gate to swing freely.
- Fit the latch to the saddle on the gate, the side will be determined by the opening direction.
- Position the latch catch so the tip latch is level, mark the screw hole positions, drill and fit the latch catch.
- Paint all screw heads, nuts and bolts after fitting to prevent the onset of rust. Moving parts will need to be painted on a regular basis to prevent the onset of rust.
- Regularly inspect the gates for damage to the coating and touch up any chips or scratches to prevent the onset of rust.

SECTION 2: FENCING, RAILINGS & POSTS

FITTING TO BRICKWORK OR TIMBER



Fix brackets to brickwork using wall plugs and suitable screws, the length of the screw is determined by the ability of the brickwork to support the weight of the gate/fence. Use suitable wood screws for timber posts.

Tighten nuts to still allow gate to swing freely.
Tighten nuts on fence or railings tight but taking care not to over-tighten and damage the coating.
Paint all nuts and bolts after fitting with a good quality rust inhibiting paint.

FIXING TO METAL POSTS



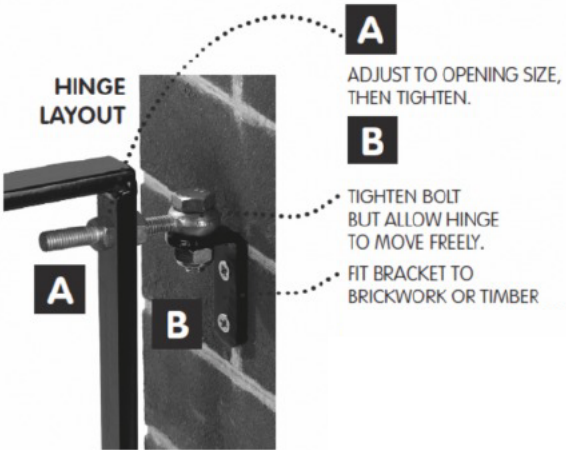
Fix brackets to metal post using suitable self-tapping screws (screws not supplied)

METAL POSTS

Blank square metal posts give flexibility on the positioning of the gate/fence fittings. Use suitable self-tapping screws to attach the fittings to the posts. Simply line the brackets up in the correct position, mark and drill a pilot hole suited to the self-tapping screw. Check each screw hole matches the bracket holes and it is still in the desired position, re-adjust if it has moved before drilling the next screw hole. The pilot hole should be slightly smaller diameter than the screw being used to allow for the thread to suitably fix into the metal of the post.

Be careful not to over-tighten the screw because it could cause the threads to strip.
SCREWS OR DRILL BITS ARE NOT SUPPLIED (if screws happen to be supplied with the posts or in the fittings packs then this is not a standard and is not guaranteed if future posts or fittings are ordered.)
Screw heads and the nuts and bolts should be painted after fitting to prevent the onset of rust. All moving parts will need to be repainted on a regular basis to prevent the onset of rust.

SECTION 3: ADJUSTABLE HINGE SINGLE GATES



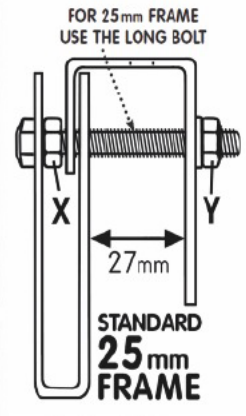
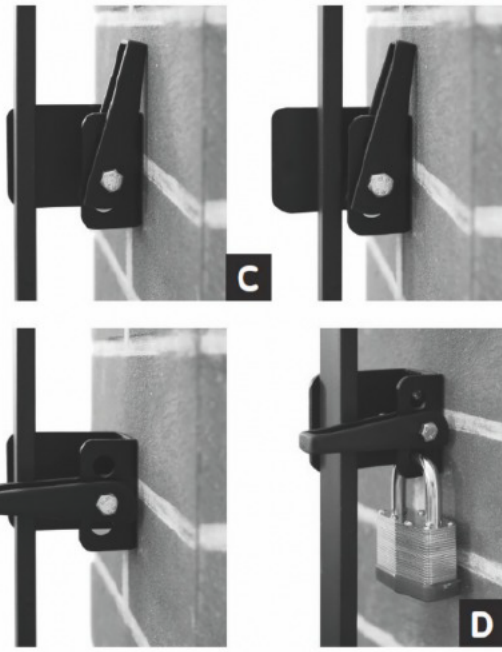
A ADJUST TO OPENING SIZE, THEN TIGHTEN.

B TIGHTEN BOLT BUT ALLOW HINGE TO MOVE FREELY.
FIT BRACKET TO BRICKWORK OR TIMBER

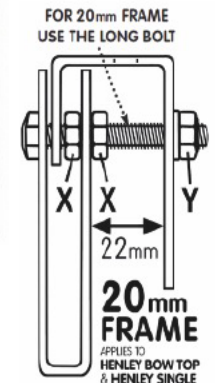
C FIX STRIKER PLATE TO BRICKWORK OR TIMBER
FIX TO METAL POST WITH THE SELF-TAPPING SCREWS

D THE STRIKER PLATE IS DESIGNED TO TAKE A PADLOCK AND CAN BE ASSEMBLED FOR LEFT OR RIGHT HAND OPENING. (PADLOCK NOT SUPPLIED)

Please note: some adjustable hinge ranges come with a tip latch and catch as depicted in Section 1



STRIKER PLATE AND LATCH CAN BE ASSEMBLED TO SUIT EITHER 25mm OR 20mm FRAME WIDTH GATES.
NUTS MARKED X SHOULD BE FULLY TIGHTENED TO LOCK ON TO THE LATCH. NUT Y WITH THE NYLON INSERT SHOULD BE TIGHTENED ON TO THE WASHER THEN LOOSENER SLIGHTLY TO ALLOW FREE MOVEMENT.



ZINC PLATED RANGE

CARE AND MAINTENANCE

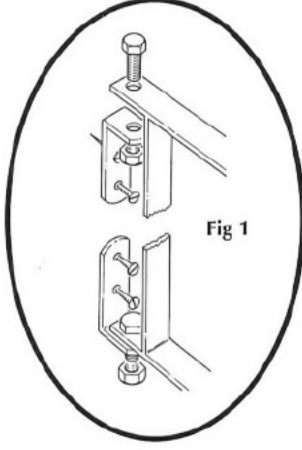
The gate and fittings are zinc plated for corrosion resistance.
Following installation clean with a mild detergent and lightly oil all moving parts, repeat at suitable intervals.
Wear and tear to the coating can be touched in with black gloss paint.

FSTBA4 102019

- No screws or wall plugs are supplied as standard with metal posts or in fittings packs, it is up to the end user to purchase the screws and wall plugs that suit the application.
- Paint all screw heads, nuts and bolts after fitting to prevent the onset of rust. Moving parts will need to be painted on a regular basis to prevent the onset of rust.
- Regularly inspect the gates and fencing for damage to the coating and touch up any chips or scratches to prevent the onset of rust.

SECTION 4: FIXED HINGE DOUBLE GATES

HINGES



- 4 x hinge brackets, 5 nuts & bolts, 1 x tip latch.
- Loosely attach the hinge brackets to the gate hinge lugs.
- Position the gate against the wall or post, at the desired height off the floor.
- Mark the position of the screw holes, ensuring each leaf is at the same level.
- Drill the screw holes.
- Brackets may be '2 screw hole' or '4 screw hole' type, depending on the gate size purchased.
- Fix brackets to metal post using suitable self-tapping screws, or to timber posts with suitable timber screws, or to brickwork using suitable wall plugs and screws. (screws and wall plugs not supplied)
- Hang gates onto the brackets using nuts and bolts, tightened to still allow the gate to swing freely.
- Fit the latch (may differ to that pictured) to the saddle on the gate, tighten so as to allow it to move freely.
- Paint all screw heads, nuts and bolts after fitting to prevent the onset of rust. Moving parts will need to be painted on a regular basis to prevent the onset of rust.
- Regularly inspect the gates for damage to the coating and touch up any chips or scratches to prevent the onset of rust.

SECTION 5: ADJUSTABLE HINGE DOUBLE GATES



- 4 x hinge brackets, 4 x eye-bolts, 5 nuts & bolts, 1 x tip latch.
- Loosely attach the hinge brackets to the gate hinge lugs.
- Position the gate against the wall or post, at the desired height off the floor.
- Mark the position of the screw holes, ensuring each leaf is at the same level.
- Drill the screw holes.
- Brackets may be '2 screw hole' or '4 screw hole' type, depending on the gate size purchased.
- Fix brackets to metal post using suitable self-tapping screws, or to timber posts with suitable timber screws, or to brickwork using suitable wall plugs and screws. (screws not supplied)
- Hang gates onto the brackets using nuts and bolts, tightened to still allow the gate to swing freely.
- Adjust the gate on the eye-bolt to level the gates and fit to gap.
- Fit the latch (may differ to that pictured) to the saddle on the gate, tighten so as to allow it to move freely.
- Paint all screw heads, nuts and bolts after fitting to prevent the onset of rust. Moving parts will need to be painted on a regular basis to prevent the onset of rust.
- Regularly inspect the gates for damage to the coating and touch up any chips or scratches to prevent the onset of rust.