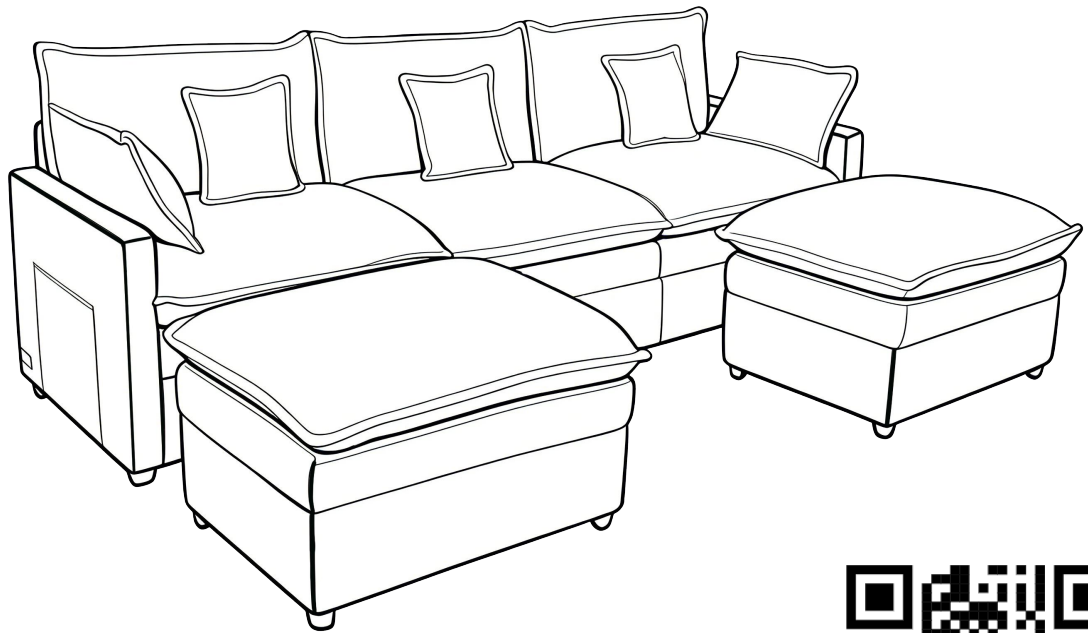




# ***ASSEMBLY INSTRUCTION***



[Scan for Installation Video]

---

## WARRANTY

---

One-year limited manufacturer's warranty is offered from the date of purchase. The warranty covers manufacturing defects in materials and parts (including armrests, sofa/chair legs, cushions, seat panel, hardware, etc.).

The warranty does not cover damage caused by accidents or any unreasonable use.

This limited warranty is only applicable to the original purchase and is non-transferable. When making a claim, the original receipt is required as proof.

---

## CUSTOMER SERVICE

---

Ovios is committed to providing quality products and timely customer service. If you have any further questions or need replacement parts, Please see the information below to contact us. Our customer service will respond to you as soon as possible

.

# CUSTOMER SERVICE

- Warranty
  - Contact Information
- 

*Card*



A Home Design Brand Embodying Fashion, Elegance, and Luxury

## OVIOS CONTACT INFORMATION

### Tel:

1-323-443-1788

---

### Facebook:

Ovios Furniture

---

### Instagram:

Ovios Furniture

---

### Pinterest:

Ovios Furniture

---

# Cushion Recovery Notice

For convenient packaging, the seat cushions, back cushions, and ottoman pads have been vacuum-compressed. After unpacking, please allow 5 to 7 days for them to fully expand and regain their original shape. Gently patting or fluffing the cushions can help speed up the recovery process, which typically takes between 72 hours and one week.



Seat Cushion x3

**Packaging 1**



Back Cushion x3



Cushion 1 x3



Cushion 2 x2



Backrest Cover Cloth x1

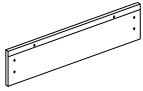
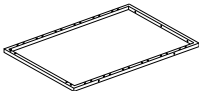
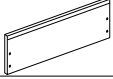
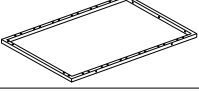
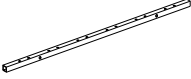
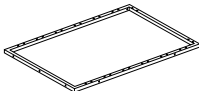
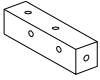

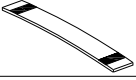
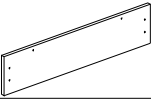

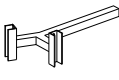


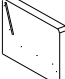
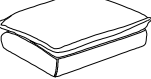
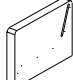
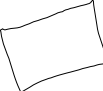
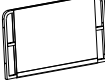




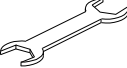



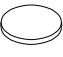

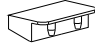

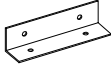

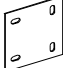


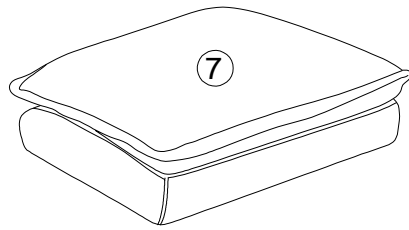
Ottoman Cushion x2

**Packaging 2**

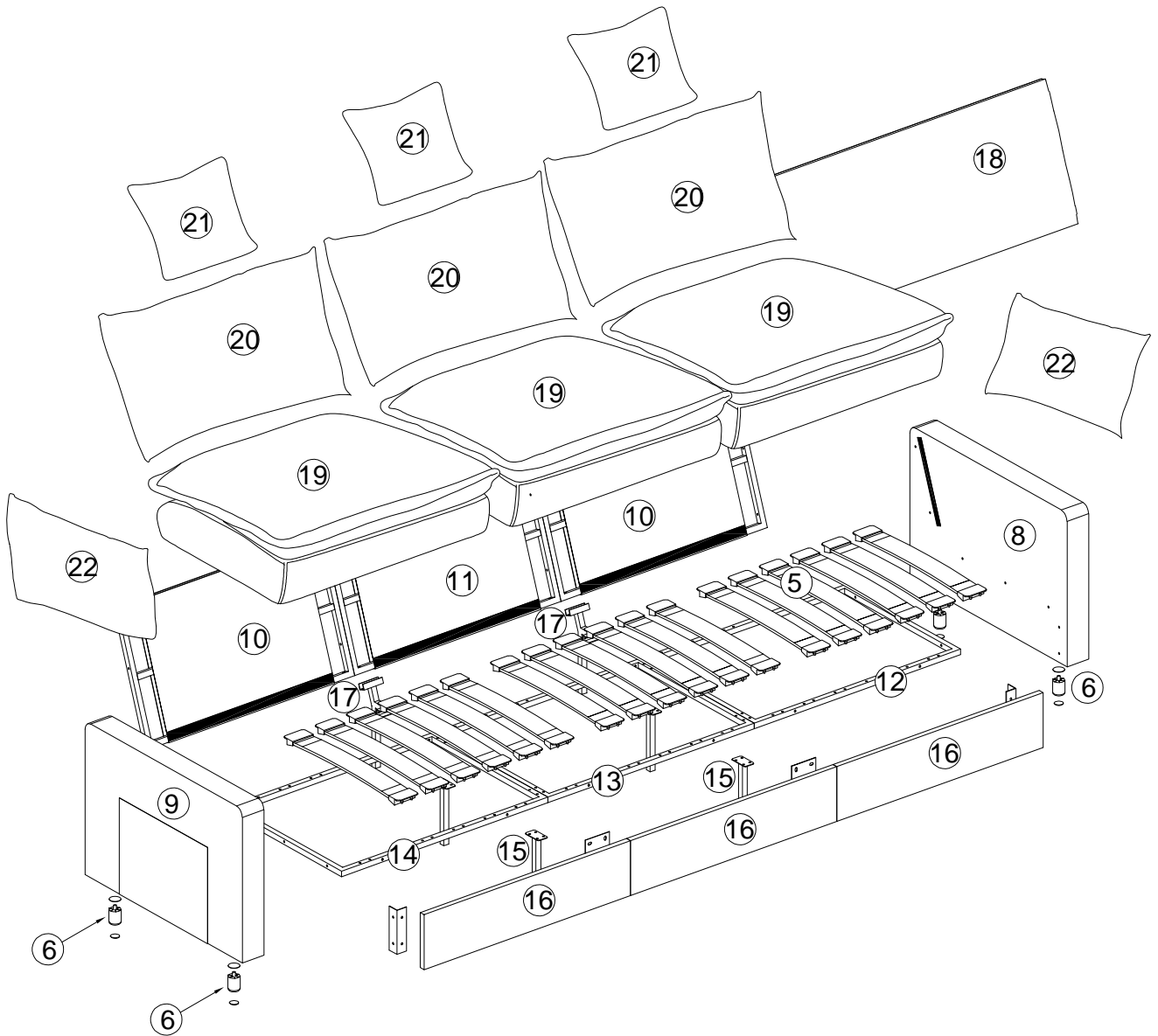
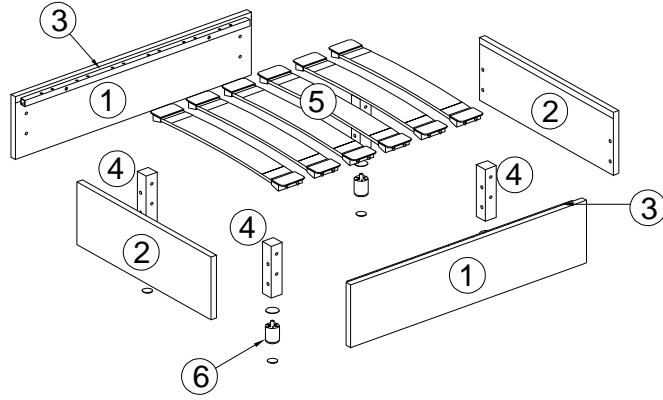
Packaging 1 in BOX2  
Packaging 2 in BOX2

# Parts List





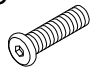

| Part Number | Picture   | Description        | QTY | Part Number | Picture   | Description             | QTY |
|-------------|---|--------------------|-----|-------------|---|-------------------------|-----|
| ①           |    | Ottoman Panel 1    | 4   | ⑫           |     | Seat Frame 1            | 1   |
| ②           |    | Ottoman Panel 2    | 4   | ⑬           |     | Seat Frame 2            | 1   |
| ③           |    | Hollow Iron Tube 1 | 4   | ⑭           |     | Seat Frame 3            | 1   |
| ④           |    | Hollow Iron Tube 2 | 8   | ⑮           |     | Middle Sofa Leg         | 4   |
| ⑤           |    | Slat               | 30  | ⑯           |     | Front Sofa Panel        | 3   |
| ⑥           |    | Sofa Leg           | 12  | ⑰           |     | Sofa Back Supported Leg | 2   |
| ⑦           |    | Ottoman Cushion    | 2   | ⑱           |     | Backrest Cover Cloth    | 1   |
| ⑧           |   | Right Armrest      | 1   | ⑲           |    | Seat Cushion            | 3   |
| ⑨           |  | Left Armrest       | 1   | ⑳           |   | Back Cushion            | 3   |
| ⑩           |  | Backrest 1         | 2   | ㉑           |  | Cushion 1               | 3   |
| ⑪           |  | Backrest 2         | 1   | ㉒           |   | Cushion 2               | 2   |
|             |   |                    |     |             |   |                         |     |
| A           |  | Screw(M6*16)       | 16  | G           |   | Nut Wrench              | 1   |
| B           |  | Screw(M6*35)       | 38  | H           |  |                         | 12  |
| C           |  | Screw(M6*55)       | 46  | I           |  | Foot Pad                | 12  |
| D           |  | Gasket             | 128 | J           |   |                         | 60  |
| E           |  | Allen Key          | 1   | K           |   | L-Shaped Iron Sheet     | 2   |
| F           |  | Hexagon Nut        | 28  | L           |  | Iron Sheet              | 2   |



X2

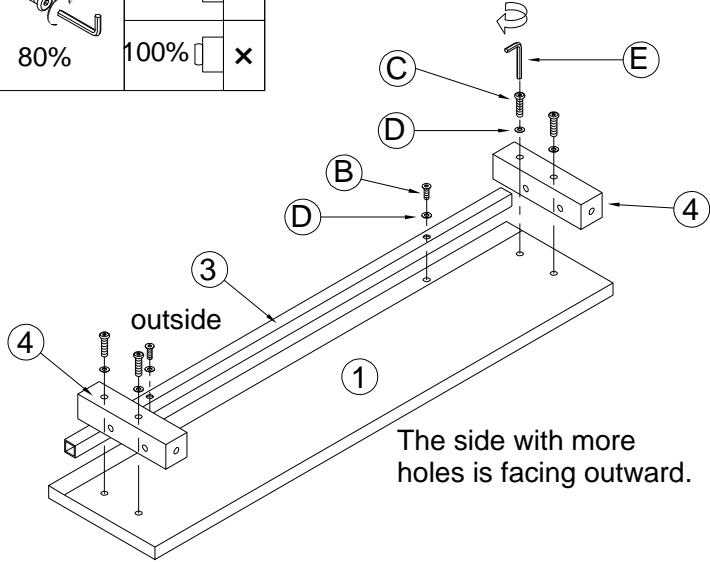


### Step 1:

|  |   |  |
|--|---|--|
| <b>1</b><br><br>4pcs      | <b>3</b><br><br>4pcs       | <b>4</b><br><br>8pcs  |
| <b>B</b> 6*35<br><br>8pcs | <b>C</b> 6*55<br><br>16pcs | <b>D</b><br><br>24pcs |


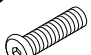

|  |                               |   |
|--|-------------------------------|---|
|  | 80% <input type="checkbox"/>  | ✓ |
| 80%  | 100% <input type="checkbox"/> | ✗ |

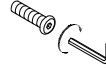
**X4**



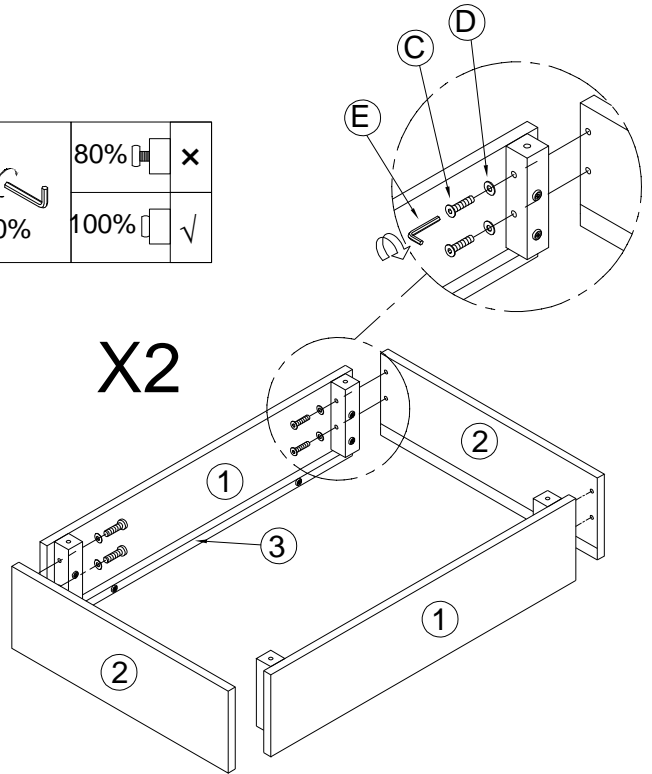
Insert part B and C through component D, then attach parts 3 and 4 to part 1. Do not fully tighten B and C—tighten them to approximately 80% of final torque.

### Step 2:

|   |   |  |
|---|---|--|
| <b>2</b><br><br>4pcs | <b>C</b> 6*55<br><br>16pcs | <b>D</b><br><br>16pcs |
|---|---|--|




|   |                               |   |
|---|-------------------------------|---|
|  | 80% <input type="checkbox"/>  | ✗ |
| 100%  | 100% <input type="checkbox"/> | ✓ |

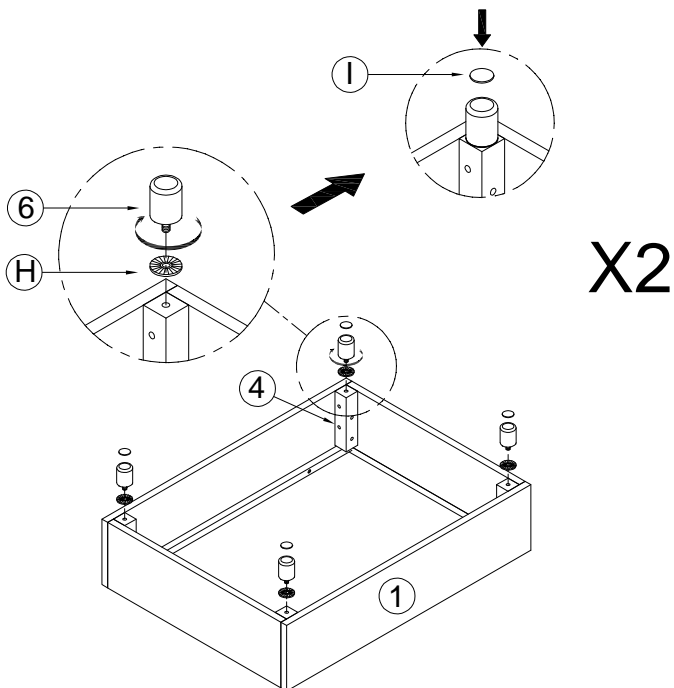
**X2**



Insert C through D and connect the pre-assembled components. Tighten all screws completely.


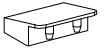
### Step 3:

|   |   |   |
|---|---|---|
| <b>6</b><br><br>8pcs | <b>H</b><br><br>8pcs | <b>I</b><br><br>8pcs |
|---|---|---|

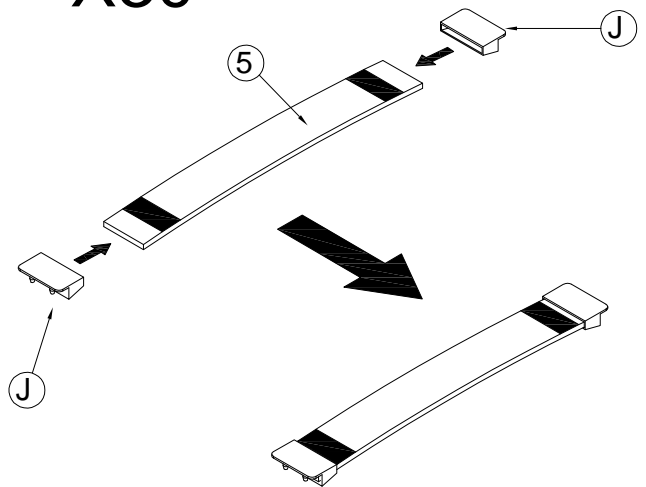


Insert part 6 into H, then mount the assembly onto part 4. Finally, attach component I to part 6.

### Step 4:

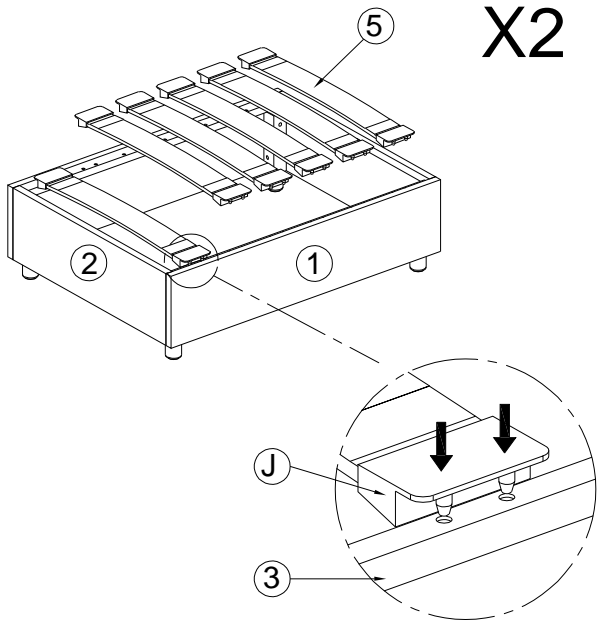
|  |  |
|--|--|
| <b>5</b><br><br>30pcs | <b>J</b><br><br>60pcs |
|--|--|

**X30**



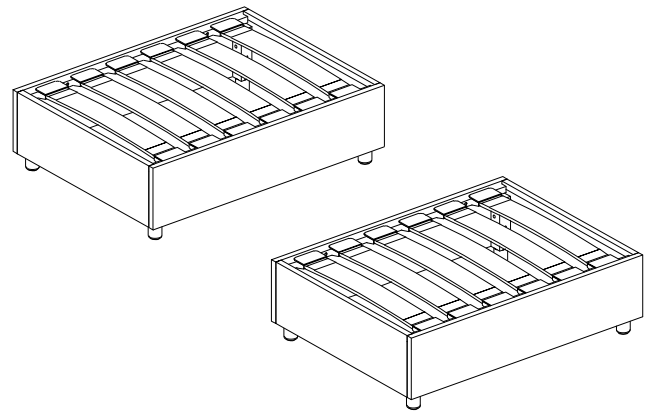
Place part 5 into the designated slot on component J, ensuring the Velcro-faced side is oriented upward.

### Step 5:



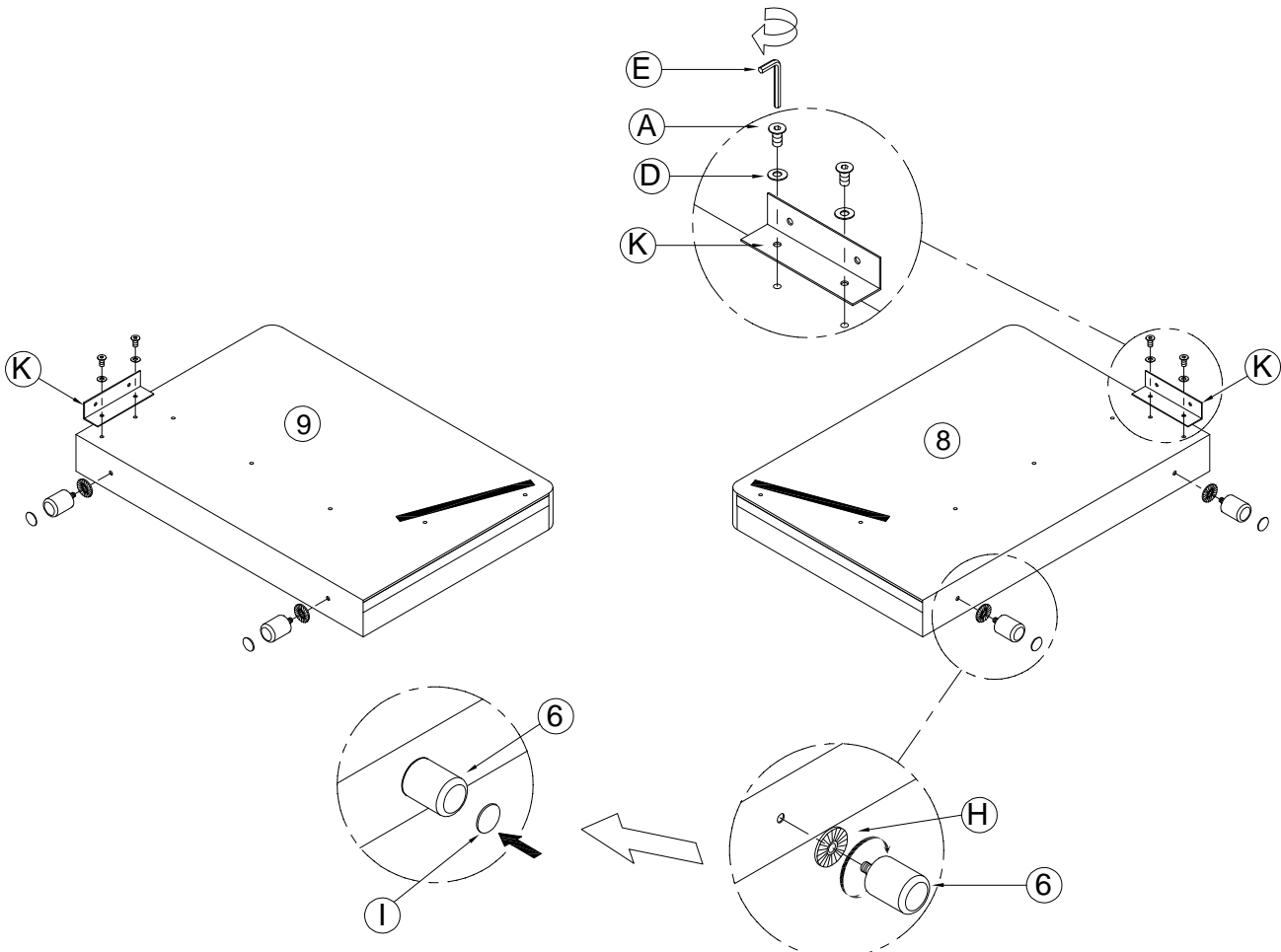
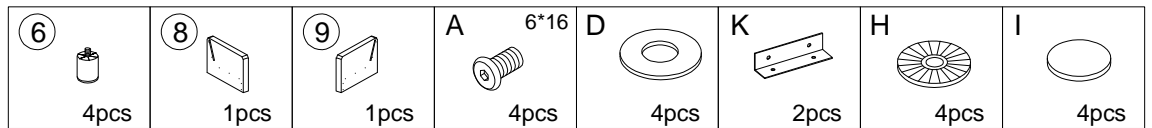
Align J with the mounting hole, then insert and secure it in place.

### Step 6:



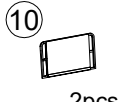
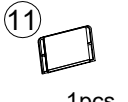
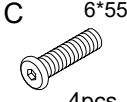
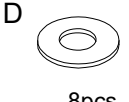

Finish

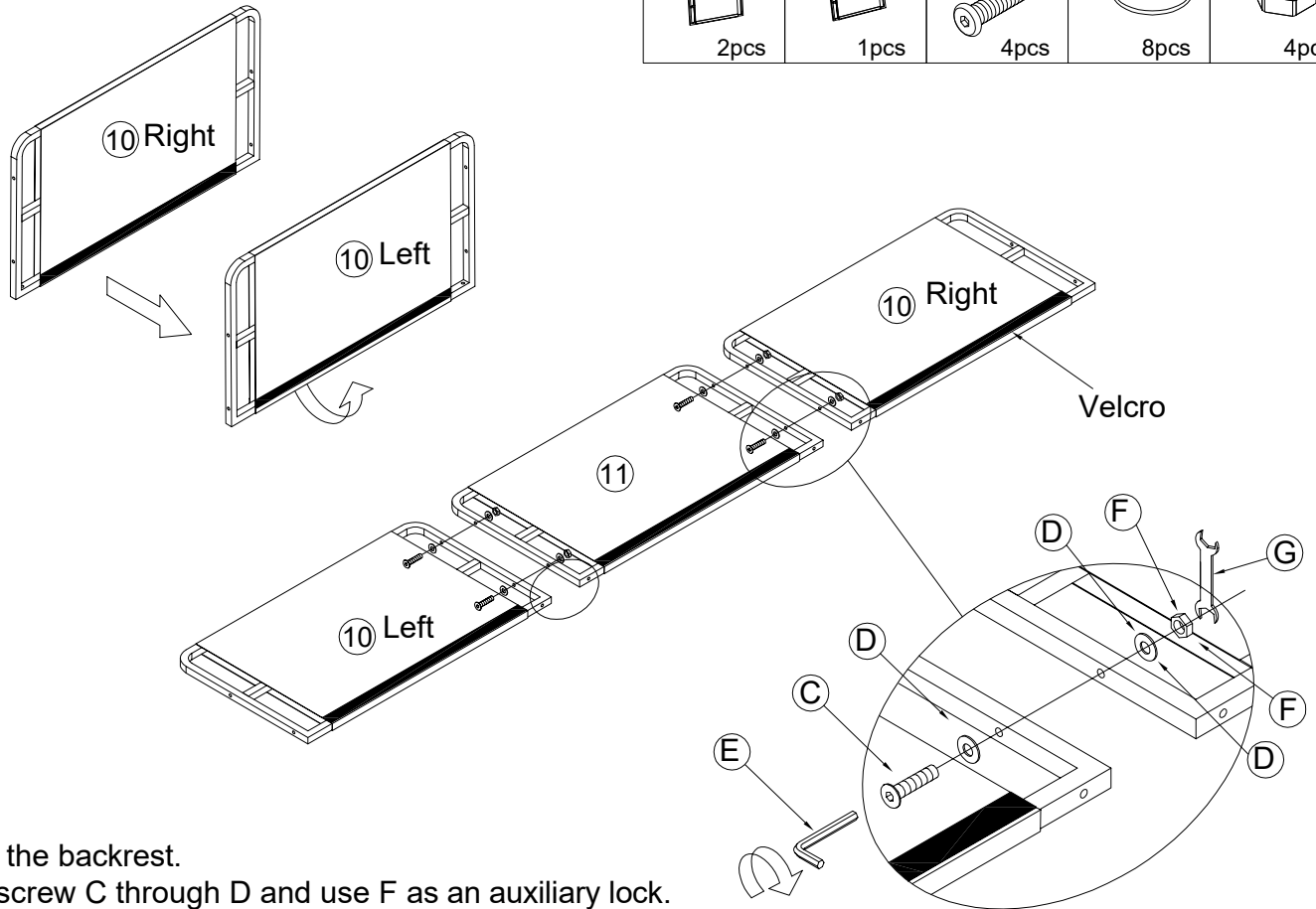
### Step 7:



Insert screw A through D, then secure component K to parts 8 and 9. Do not fully tighten A—tighten it to approximately 80% of final torque. Next, insert part 6 into H and mount the assembly onto parts 8 and 9. Finally, attach component I to part 6.

## Step 8:

|   |  |   |  |  |
|---|--|---|--|--|
| <b>10</b><br><br>2pcs | <b>11</b><br><br>1pcs | <b>C</b> 6*55<br><br>4pcs | <b>D</b><br><br>8pcs | <b>F</b><br><br>4pcs |
|---|--|---|--|--|


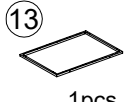
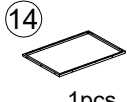
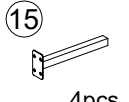
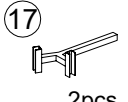

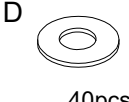



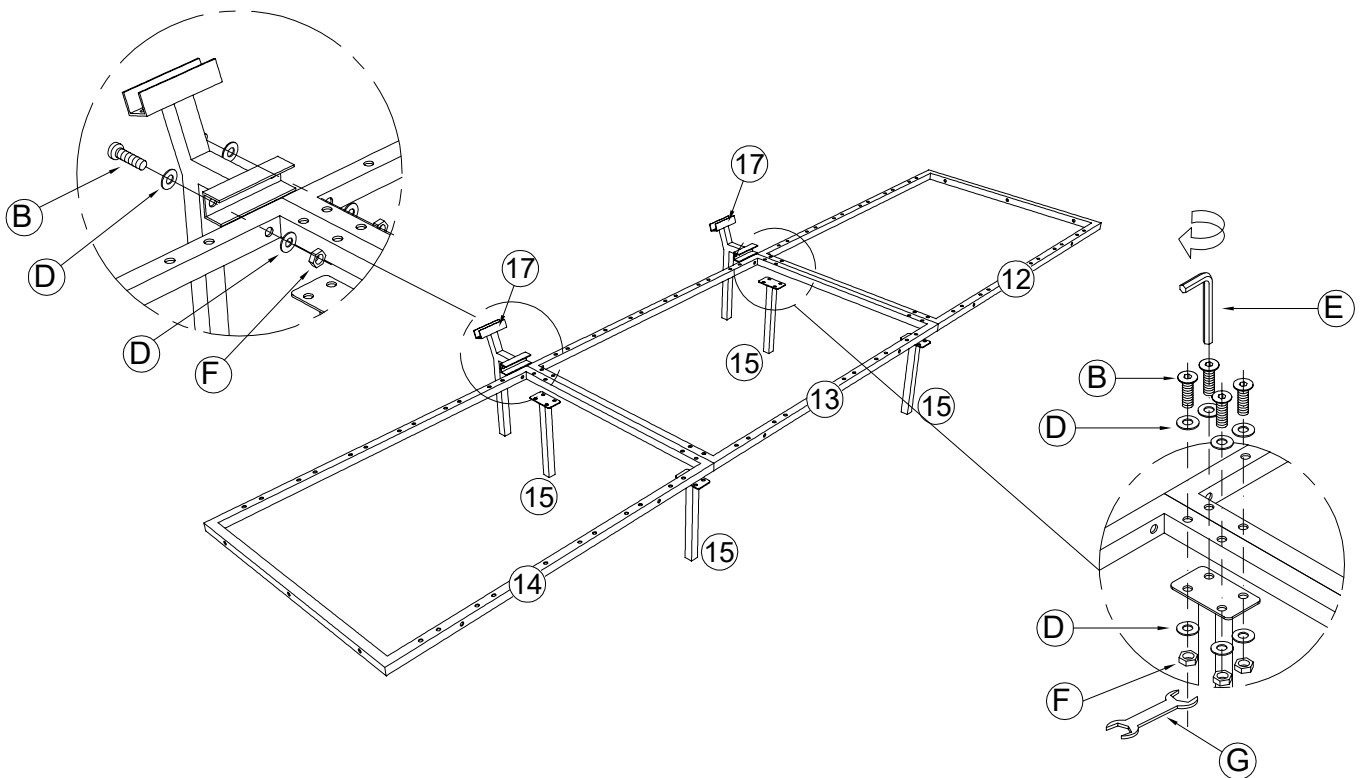
Install the backrest.

Pass screw C through D and use F as an auxiliary lock.

Ensure the Velcro side faces forward—note that the backrest fabric is rotatable for proper orientation.

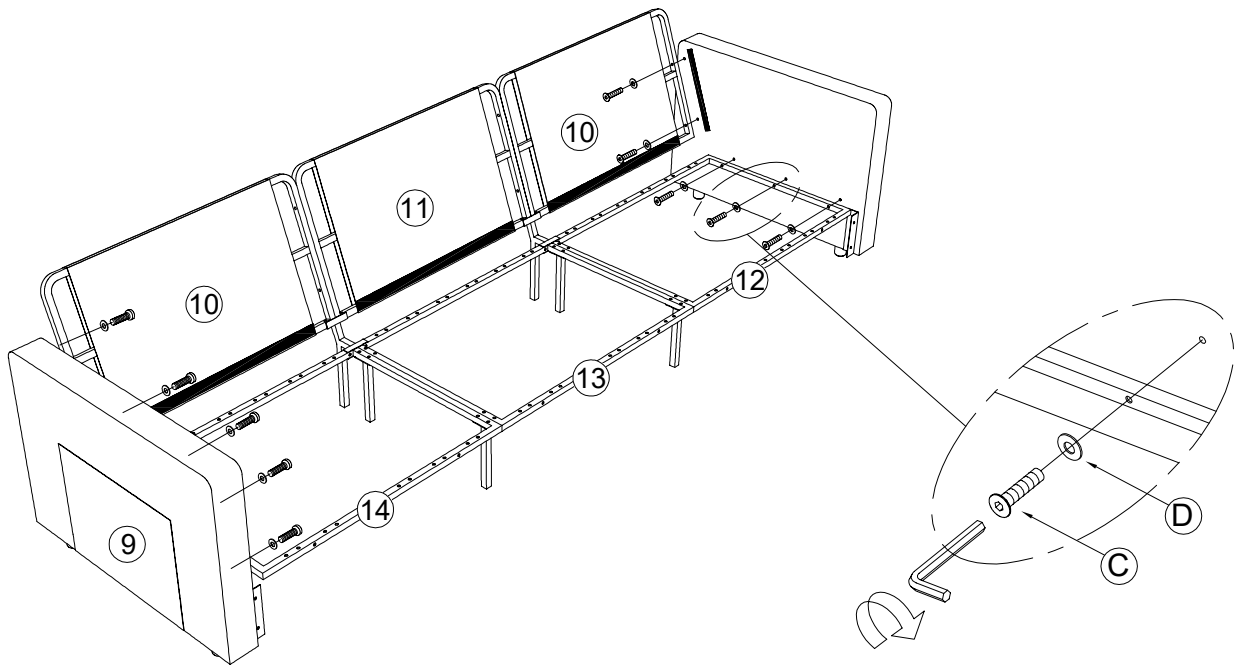
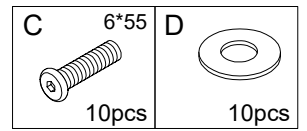
## Step 9:

|  |  |  |  |   |   |  |  |
|--|--|--|--|---|---|--|--|
| <b>12</b><br><br>1pcs | <b>13</b><br><br>1pcs | <b>14</b><br><br>1pcs | <b>15</b><br><br>4pcs | <b>17</b><br><br>2pcs | <b>B</b> 6*35<br><br>20pcs | <b>D</b><br><br>40pcs | <b>F</b><br><br>20pcs |
|--|--|--|--|---|---|--|--|



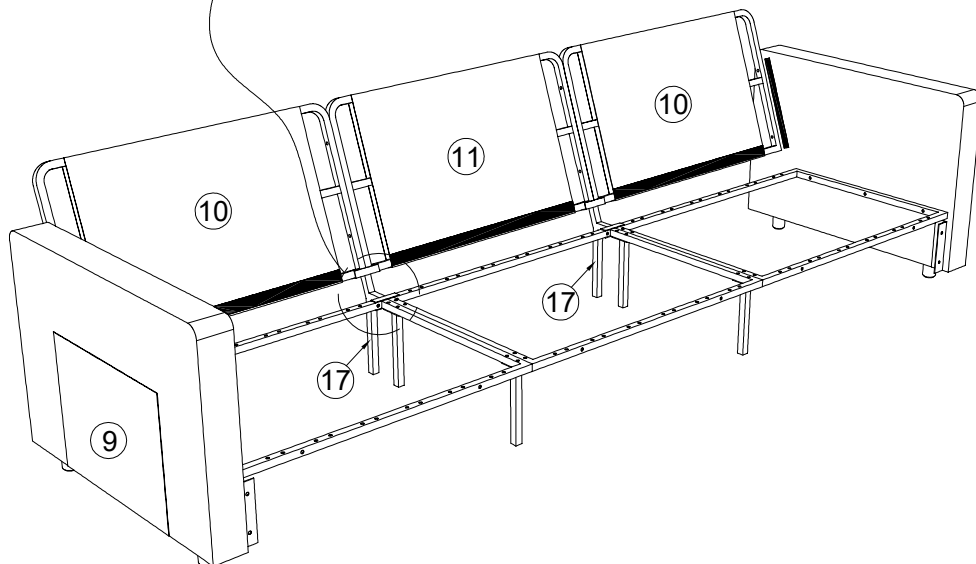
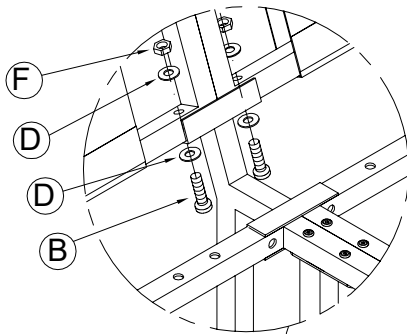
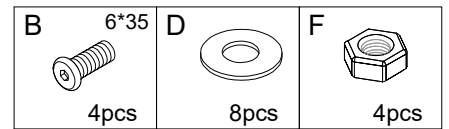
Pass screw B through D and engage F as an auxiliary lock.  
Secure the sofa's leg to the seat frame.

## Step 10:



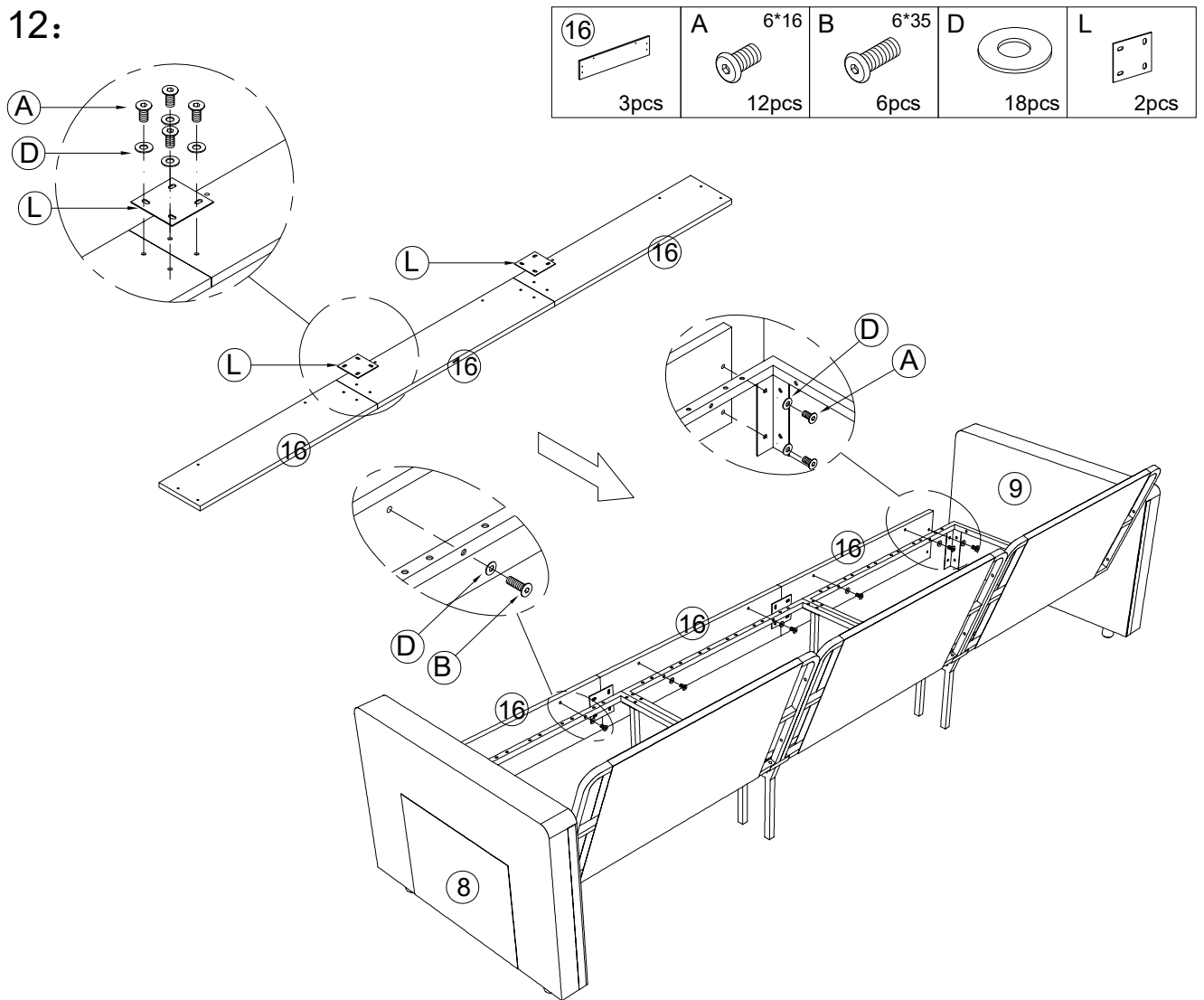
Insert screw C through D, then secure the seat frame and backrest to parts 8 and 9. Do not fully tighten C—tighten it to approximately 80% of final torque.

## Step 11:



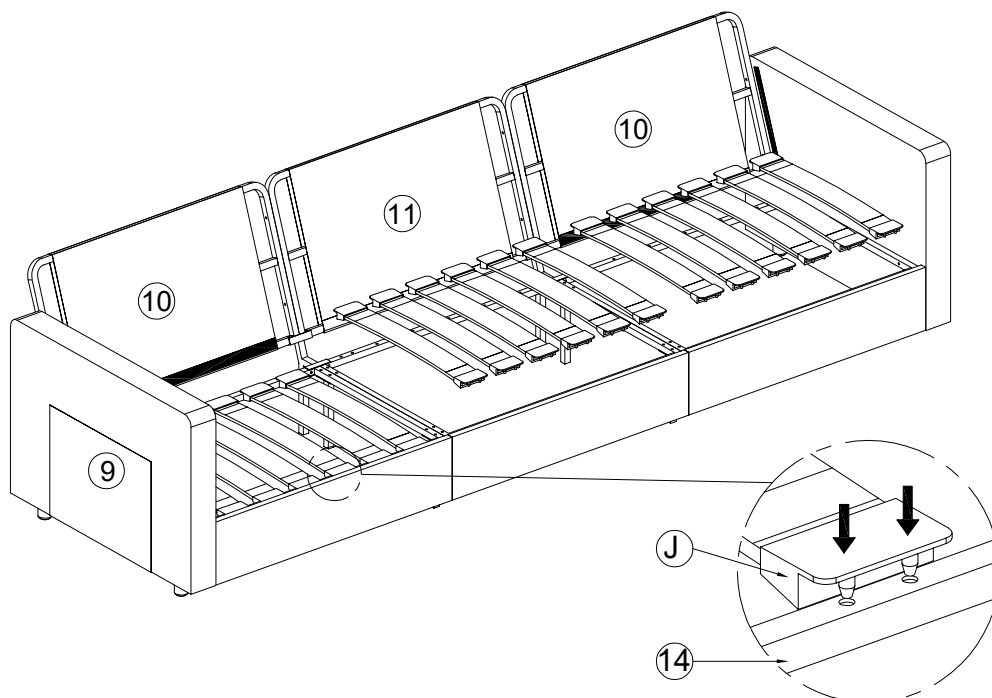
Pass screw B through D and engage F as an auxiliary lock. Secure the sofa's back leg to both the seat frame and the backrest.

## Step 12:



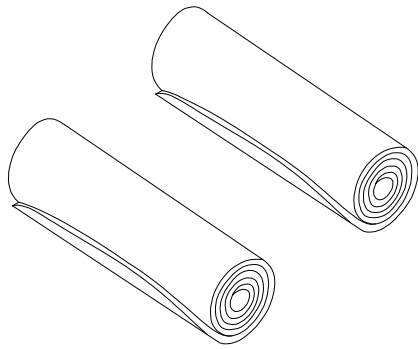
Insert A into D; attach L to 16.  
Then pass A and B through D to connect pre-assembled parts.  
Fully tighten all screws.

## Step 13:



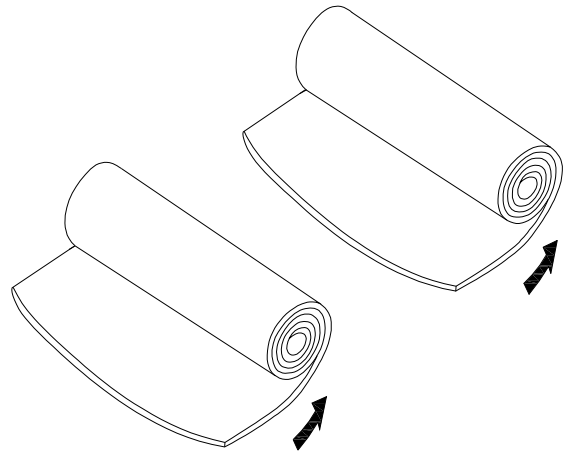
Align J with the mounting hole, then insert and secure it in place.

Step 14:



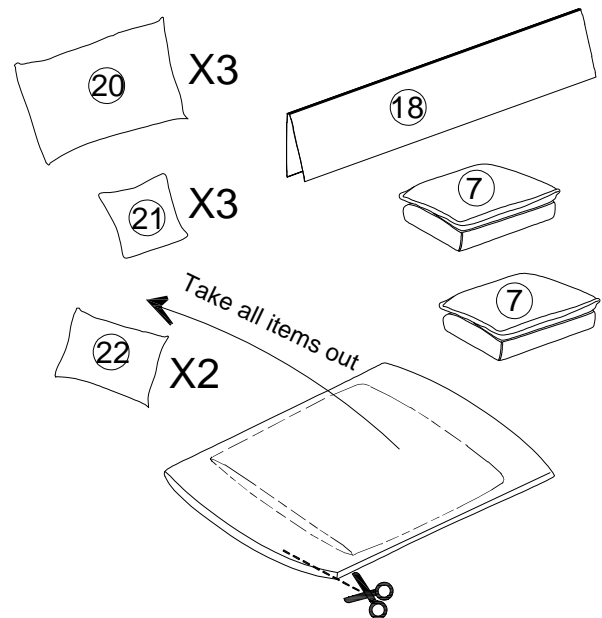
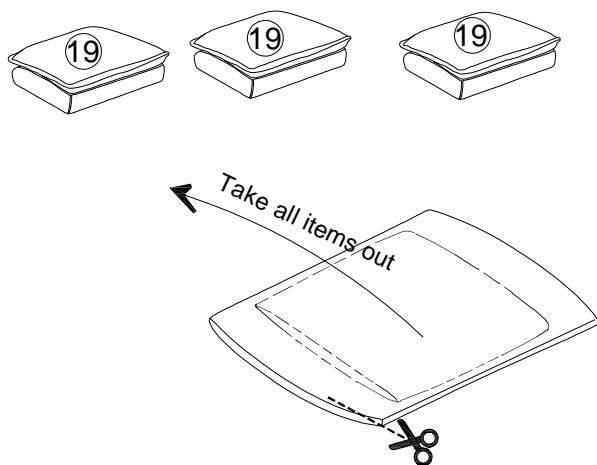
Take out the compressed package from the box.

Step 15:



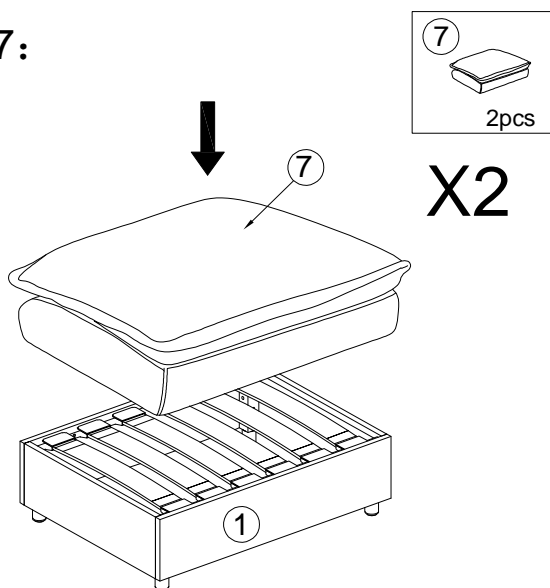
Tear off the outer film and unroll the package until flat.

Step 16:



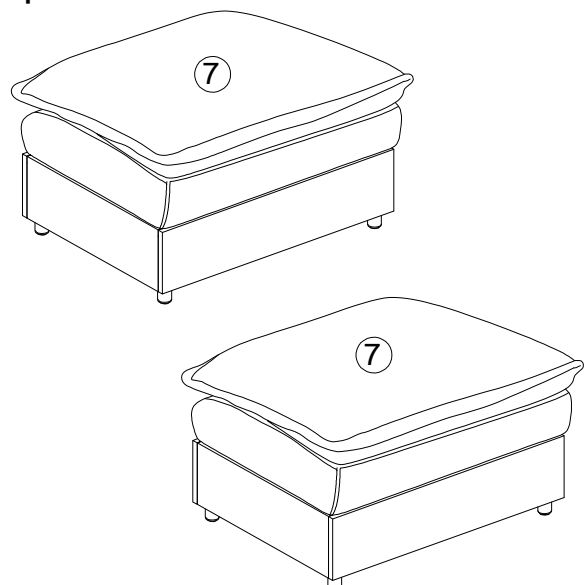
Carefully cut open the plastic bag with scissors.

Step 17:



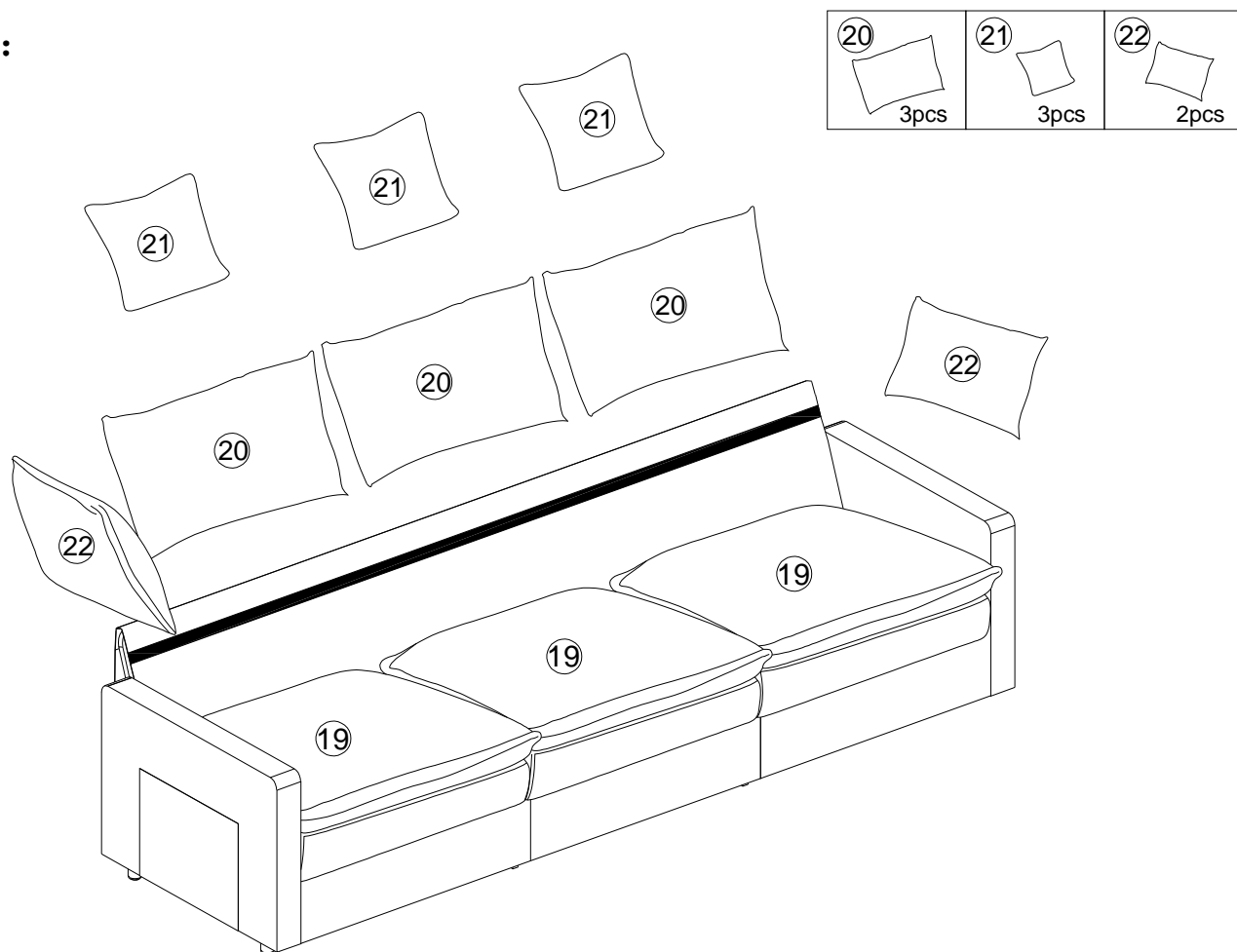
Place the cushion 7 on the Ottoman.

Step 18:



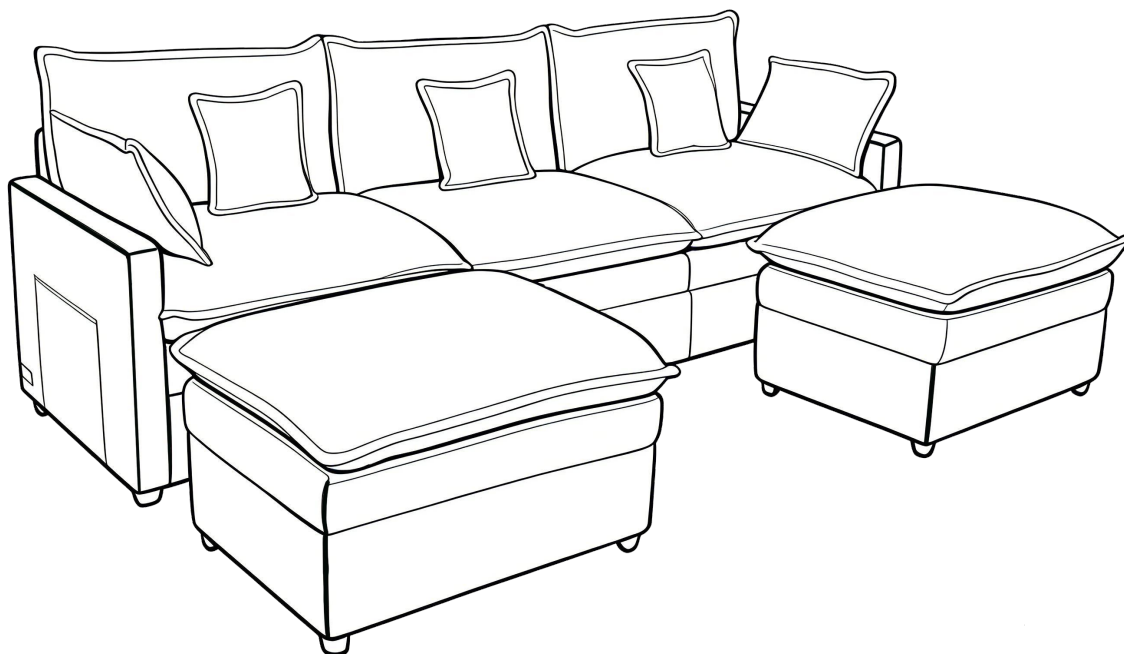


## Step 21:



Place the back cushions on the sofa

## Step 22:



Finish



*Living in style*

---

A Home Design Brand Embodying  
Fashion, Elegance, and Luxury