

# Assembly Instruction

**(BOX 1)**

**HEADBOARD, FOOTBOARD**

NO	ITEM	QTY
A	HEADBOARD	1 PC
B	FOOTBOARD	1 PC
C	UPPER SLAT 997mm	13 PCS
D	TRUNDLE SLAT 997mm	6 PCS+ 6 PCS+ 1 PC
E	TRUNDLE SIDE PANEL	2 PCS

**(BOX 2)**

**UPPER SIDE RAIL, TRUNDLE SIDE RAIL**

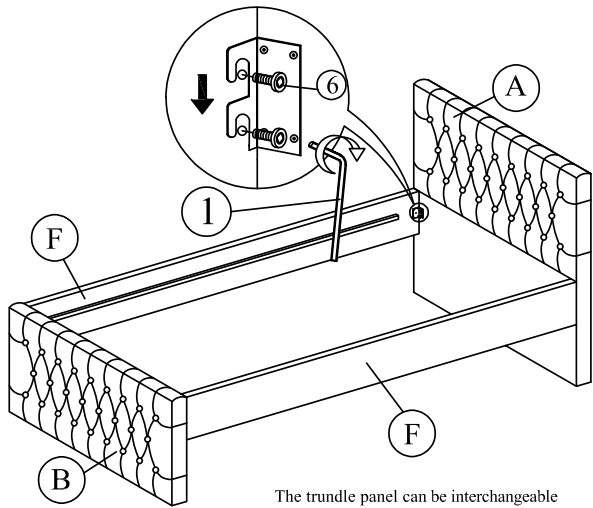
NO	ITEM	QTY
F	UPPER SIDE RAIL	2 PCS
G	TRUNDLE FRONT (PU)	1 PC
H	TRUNDLE BACK	1 PC

**(BOX 2)**

**HARDWARE LIST**

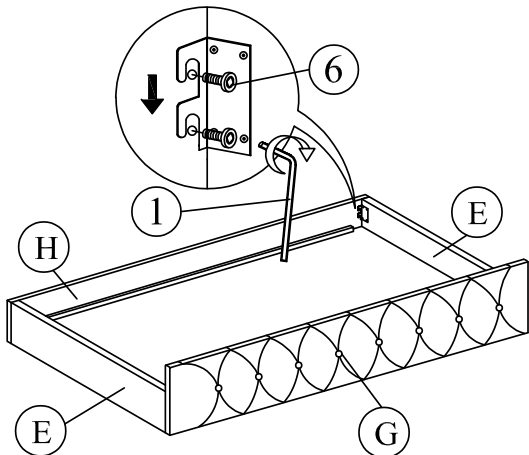
NO	ITEM	QTY
1	M5 x 70 mm	1 PC
2	FLAT HEAD CHIPBOARD SCREW M4 x 32MM	64 PCS
3	FLAT HEAD CHIPBOARD SCREW M4 x 16MM	24 PCS
4	TRUNDLE ROLLER	6 PCS
5	WOODEN BLOCK	4 PCS
6	JCBB M8 x 20MM	16 PCS

Step 1: Attach side rail (F) to headboard (A) and footboard (B) by pushing the bracket down to fit it.



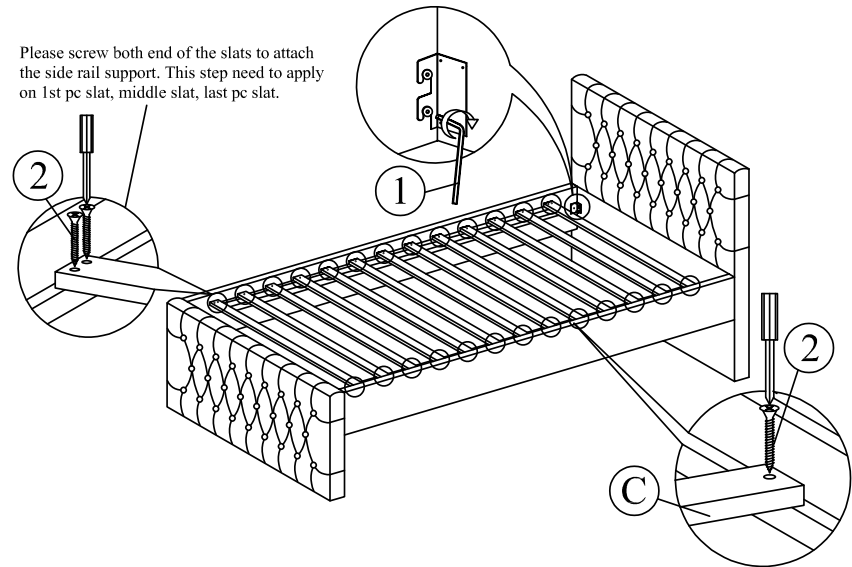
The trundle panel can be interchangeable either put at right or left side of the bed and depend on the room design.

Step 3: Attach trundle side panel (E) and trundle front panel (G) to trundle back panel (H) by pushing the bracket down to fit it.

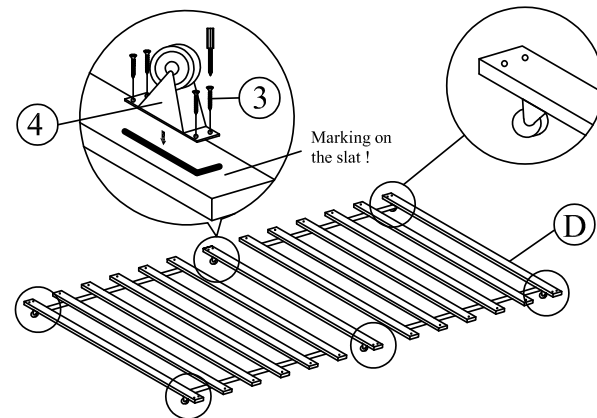


Step 2: Tighten the 4 Corner with Allen Key (1). Install the slats to side rail. Tighten the slats with CSK screw (2). The distance of the slats should be sufficient to obtain desirable bed stability.

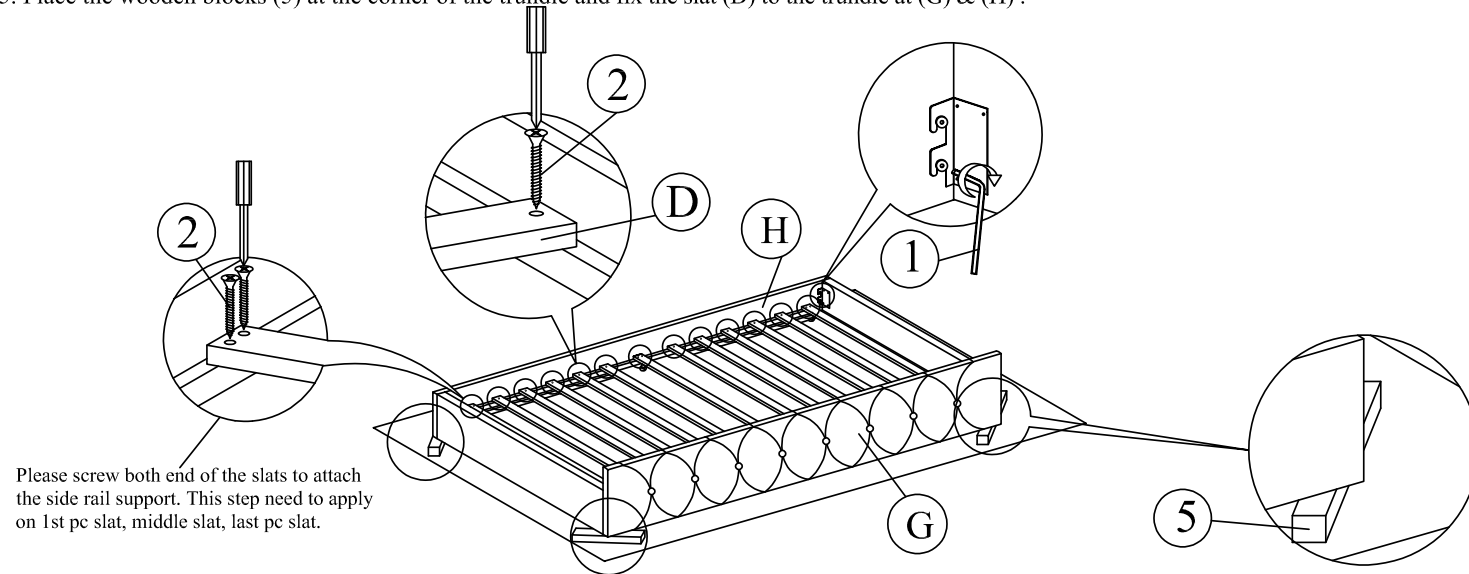
Please screw both end of the slats to attach the side rail support. This step need to apply on 1st pc slat, middle slat, last pc slat.



Step 4: Affix the roller (4) to the slat (D) follow the marking on the slat (D).



Step 5: Place the wooden blocks (5) at the corner of the trundle and fix the slat (D) to the trundle at (G) & (H) .



Step 6: Assembly is complete

