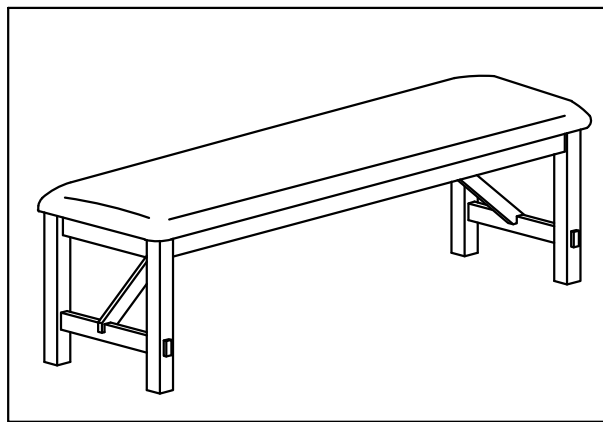


ASSEMBLY INSTRUCTION

DESCRIPTION DINING BENCH

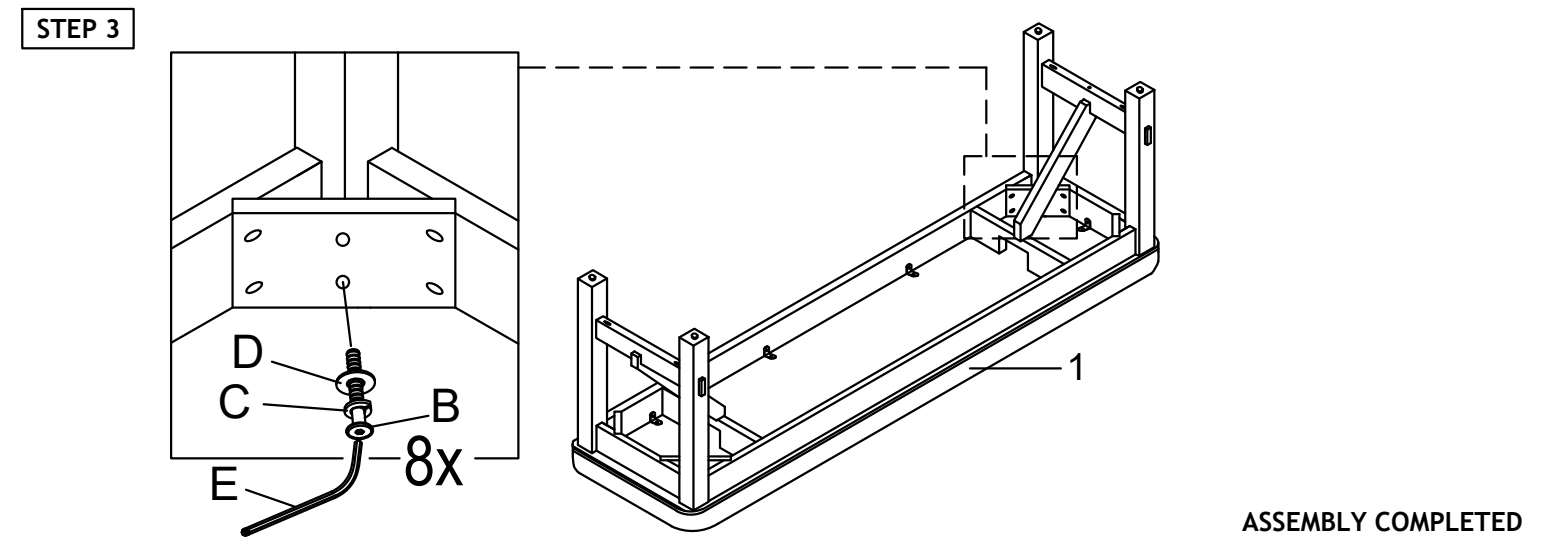
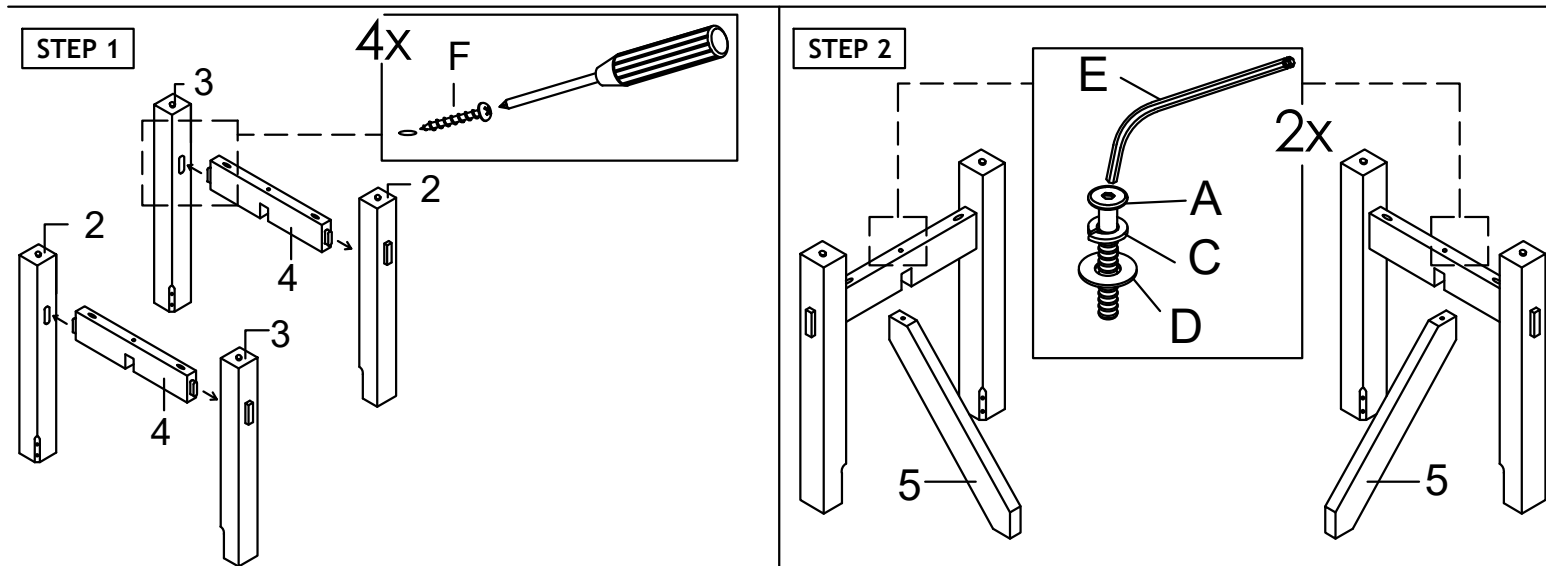
Thank you for purchasing this quality product. Be sure to check all packing material carefully for small parts which may have come loose inside the carton during shipment. Identify and count all parts and compare with the parts List Below :



PART LIST			
NO	SKETCH	DESCRIPTION	QTY
1		Cushion Seat	1 pc
2		Bench Leg (Right)	2 pcs
3		Bench Leg (Left)	2 pcs
4		Lower Rail	2 pcs
5		Support Rail	2 pcs

6. ASSEMBLY HARDWARE PACK			
NO	SKETCH	HARDWARE	QTY
A		Jcbc Screw	4 pcs
B		Jcbc Screw	8 pcs
C		Spring Washer	12 pcs
D		Flat Washer	12 pcs
E		Allen Key	1 pc
F		Pan Head Screw	4 pcs

ASSEMBLY STEP



ASSEMBLY COMPLETED

ASSEMBLY TIPS:

1. Remove hardware from box and sort by size.
2. Please check to see that all hardware and parts are present prior start of assembly.
3. Please follow attached instructions in the same sequence as numbered to assure fast and easy assembly.

▲ WARNING!

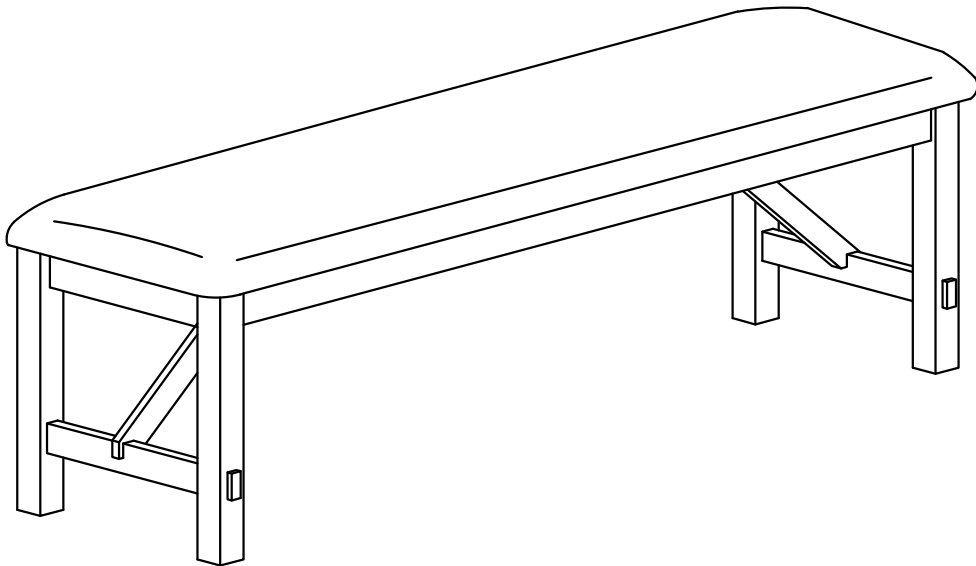
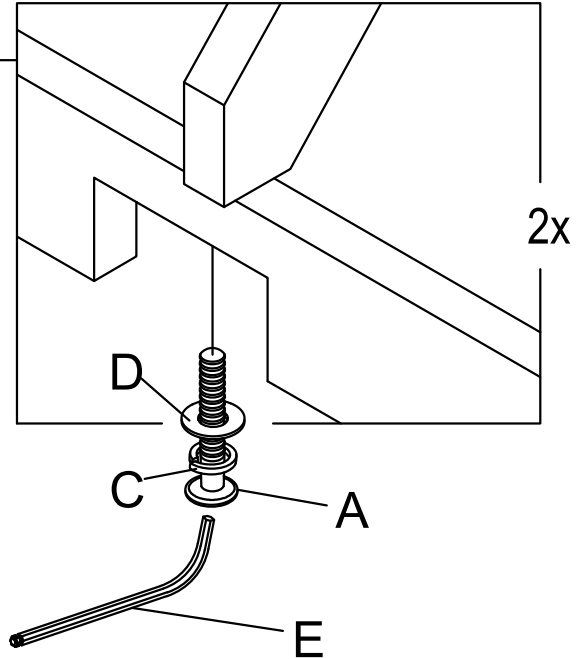
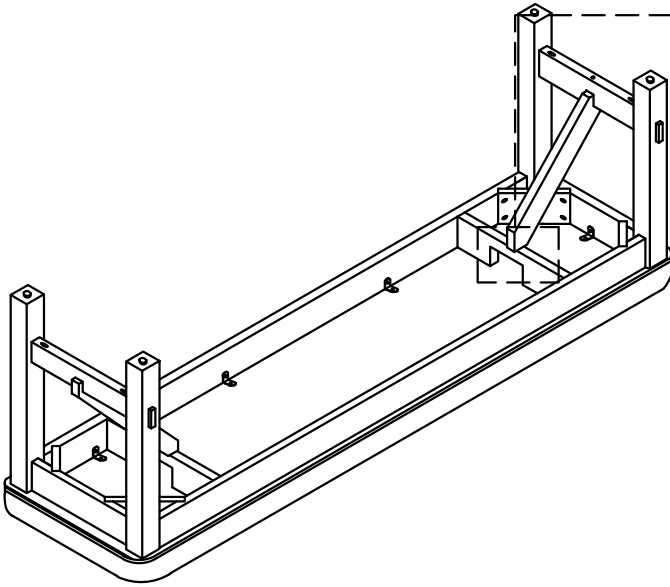
1. Don't attempt to repair or modify parts that are broken or defective. Please contact the store immediately.
2. This product is for home use only and not intended for commercial establishments.

ASSEMBLY INSTRUCTION

DESCRIPTION DINING BENCH

Thank you for purchasing this quality product. Be sure to check all packing material carefully for small parts which may have come loose inside the carton during shipment. Identify and count all parts and compare with the parts List Below :

STEP 4



ASSEMBLY COMPLETED

ASSEMBLY TIPS:

1. Remove hardware from box and sort by size.
2. Please check to see that all hardware and parts are present prior start of assembly.
3. Please follow attached instructions in the same sequence as numbered to assure fast and easy assembly.

▲ WARNING!

1. Don't attempt to repair or modify parts that are broken or defective. Please contact the store immediately.
2. This product is for home use only and not intended for commercial establishments.