

IMPORTANT SAFETY INSTRUCTIONS

Please read and understand this entire manual before attempting to assemble, install or operate the product.

WARNING:

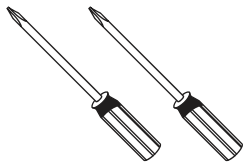
Disconnect power by turning off the circuit breaker or by removing the fuse at the fuse box. (All electrical steps should be performed by a qualified person or electrician.)

Ensure wiring and outlet box are compliant with national and local electrical codes, including the NEC. SkyOutlet requires installation on the branch circuit solid 12 or 14 AWG wire.

CAUTION:

To reduce risk of fire, use five (5) E12 **Max 40-watt** incandescent B10/T8 bulbs or CFL/LED equivalent (bulbs not included). This fixture is meant for indoor use, **SUITABLE FOR DRY LOCATIONS AND DAMP LOCATIONS**.

TOOL NEEDED:(NOT PROVIDED)



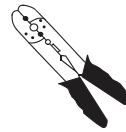
Ph#1&2



Safety Glasses



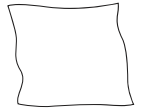
Step Ladder



Wire Stripper

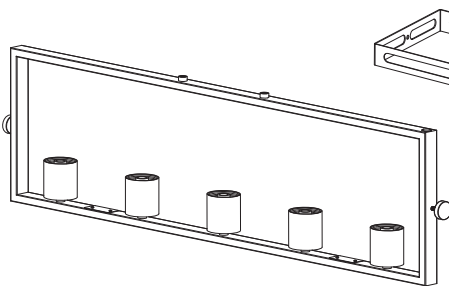


Pliers

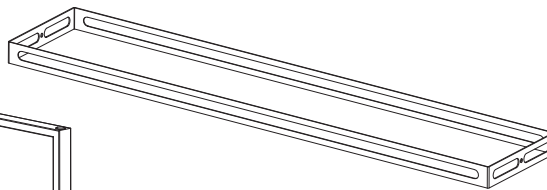


Soft Cloth

PACKAGE CONTENT



A Fixture Body x1



B Frame x1

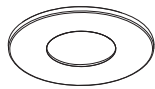


C Glass Shade x5

MOUNTING HARDWARE



AA SkyOutlet x1
with 2 rubber washers
and 2 mounting screws



BB Cover Plate x1



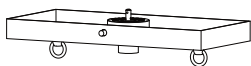
CC Cap x1
Use when cleaning &
painting or when fixture
is not in use



DD 4mm Washer x2
7mm Washer x2



EE Jumper Lead x2
Optional



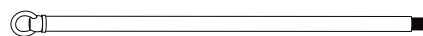
FF Canopy x1



GG Chain x2



HH Quick Link x4



II Rod with Loop x2

Install SkyOutlet

IMPORTANT:

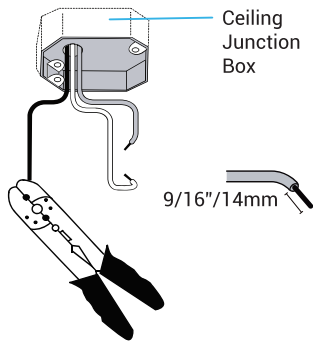
Disconnect power by turning off the circuit breaker or by removing the fuse at the box. All electrical steps should be performed by a qualified person or electrician.

Scan QR code below for reviewing SkyOutlet installation video.

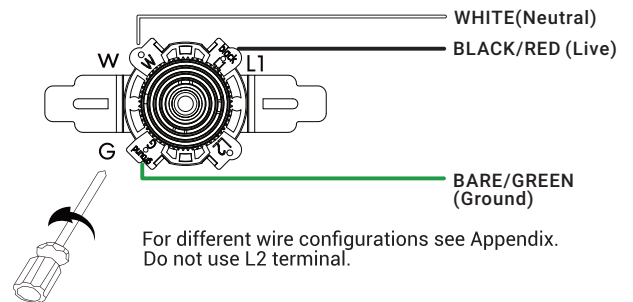


1 Wire SkyOutlet to ceiling junction box.

A. Strip wire to 9/16"/14mm.

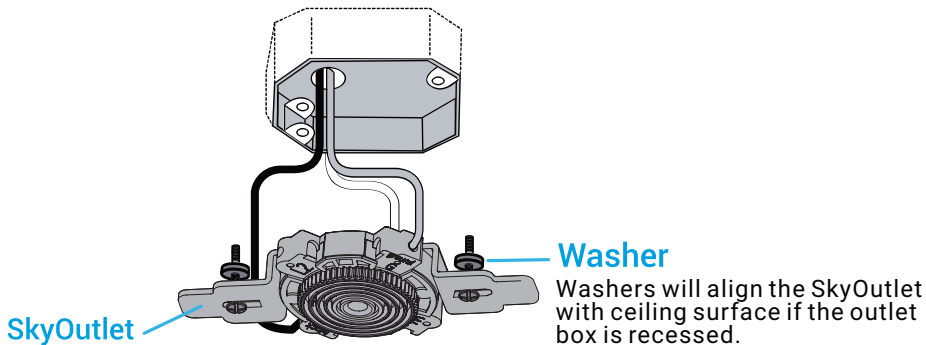


B. Loosen terminal screws to insert branch circuit wires into the corresponding terminals. Tighten to secure wires. Check to make sure wires are securely inserted into terminals. Set screw torque value at 6.3 lb/in.

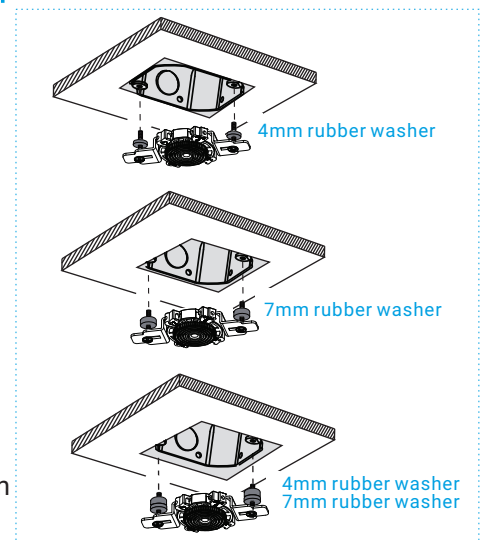


2 Secure SkyOutlet to outlet box using 2 screws and washers (included).

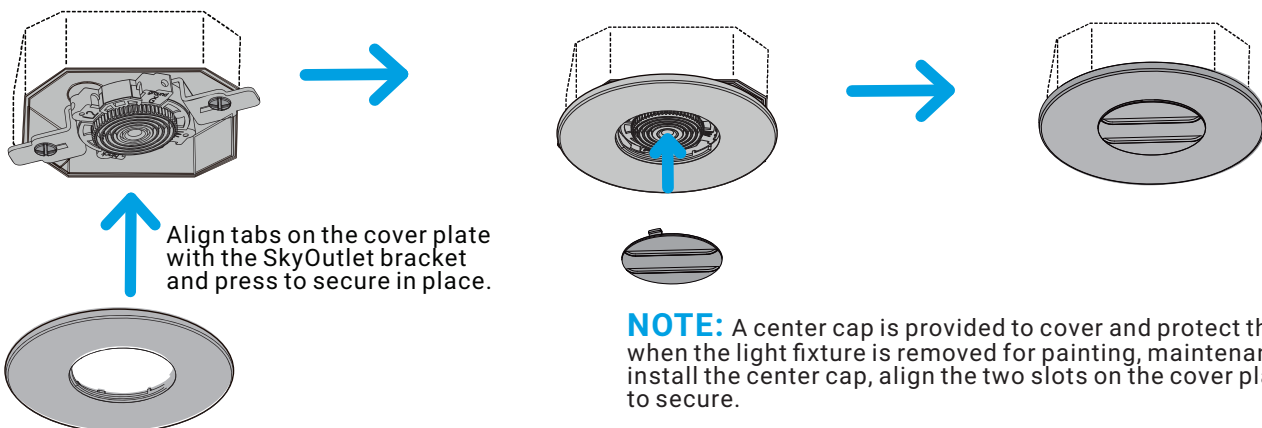
For different wire configurations see Appendix.



IMPORTANT: If your box is flush with ceiling or recessed less than 1.5 mm (0.06"), use 4 mm washer. If recessed between 1.5 mm (0.06") and 3 mm (0.12") use larger 7 mm rubber washer. If recessed more, use combination of both washers.



3 Secure cover plate as shown.



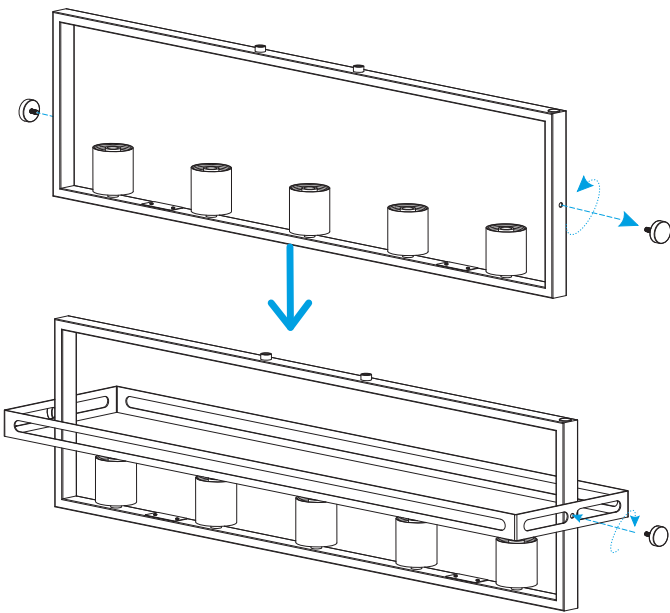
NOTE: A center cap is provided to cover and protect the SkyOutlet when the light fixture is removed for painting, maintenance, etc. To install the center cap, align the two slots on the cover plate and turn to secure.

Assemble Fixture (All steps can be assembled on the floor.)

Scan QR code below for reviewing multiple rod fixture installation video.

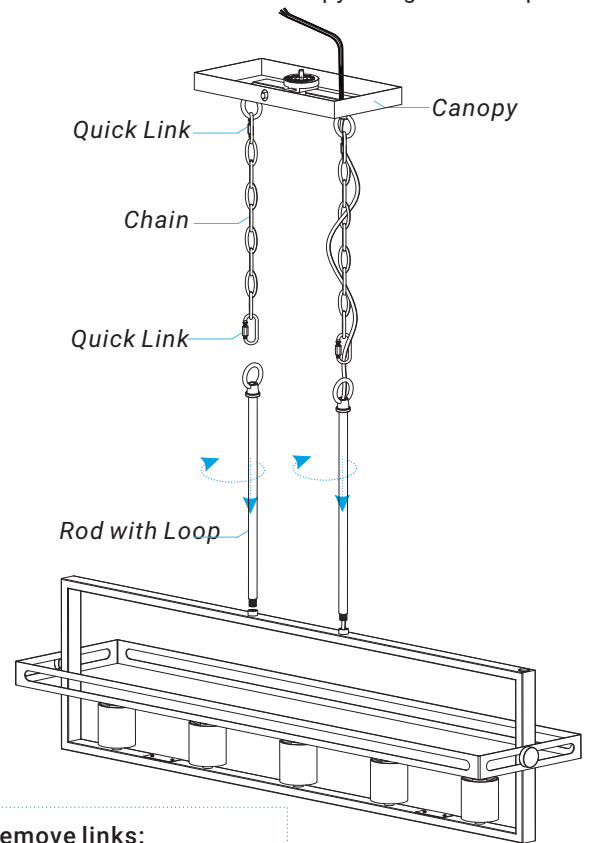


1 Install Frame.

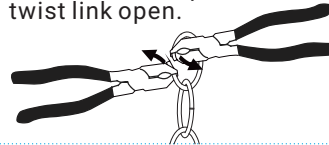


2 Install fixture rod ,chain and canopy.

Determine preferred hanging height of fixture and install chains and rods with canopy. Feed fixture wire through rod and chain, over canopy. Attach chain to rod and canopy using the four quick links.



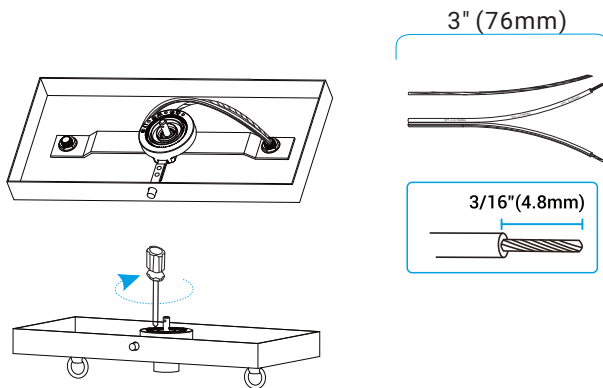
To remove links:
Use two sets of pliers to twist link open.



3 Wire SkyPlug.

Measure the leads to cut excess wire and strip the leads. Recommended leads length 3" , strip length 3/16".

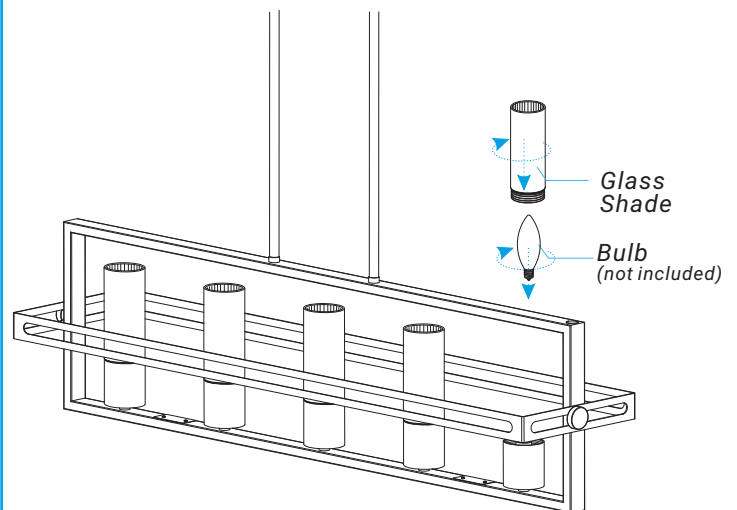
Insert Live (Writing /Smooth edge) into L1,
Neutral (No Writing/Rough edge) into W,
Ground (Bare) into G.
Tighten screws to secure wire.



IMPORTANT: Make sure wires are not positioned on top of SkyPlug.

4 Install glass shades and bulbs (not included).

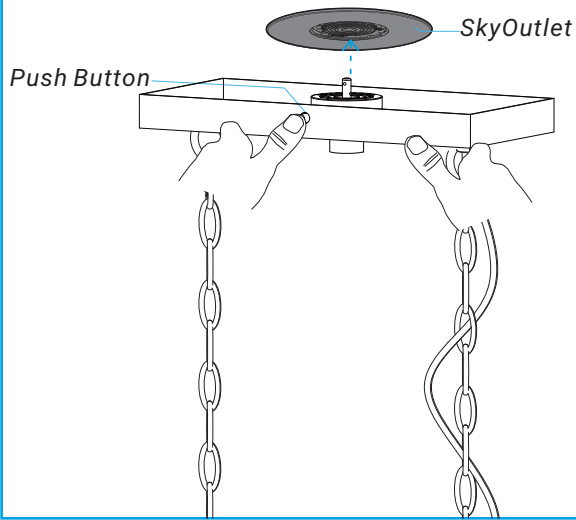
Recommended Bulb Type: E12-B10/T8, Max. 40W



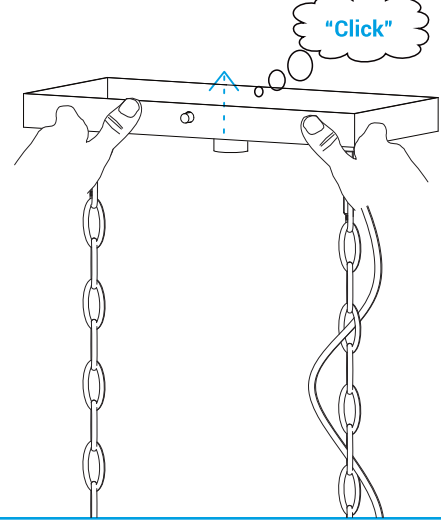
Connect SkyPlug to SkyOutlet

While supporting the fixture, plug into the SkyOutlet.

Align with the center hole, keep pressing the push button to insert into the SkyOutlet.



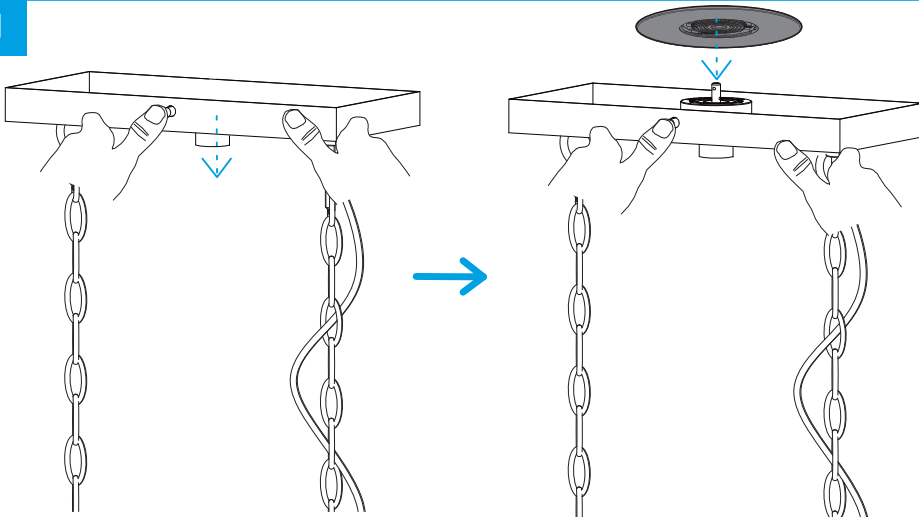
Once inserted, let go of the push button and push up until you hear the click.



Your installation is now complete! Restore electricity and save this manual for future reference.

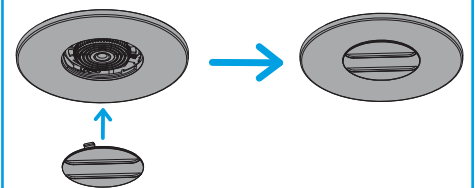
Removing SkyPlug Fixtures

1



While supporting fixture, press push button to disengage SkyPlug from SkyOutlet.

2



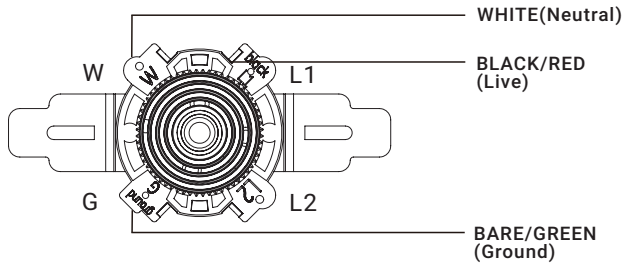
Cover up SkyOutlet when not in use .

APPENDIX

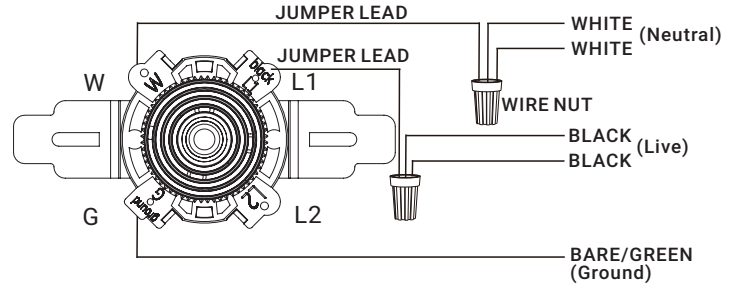
Additional Wiring Diagram

IMPORTANT: If you have multiple wires inside your outlet box, you will need to determine which lead is the live or switched lead and insert this lead into L1. If you are not sure how your house is wired, contact 1-866-885-4649 for questions or contact an electrician. When multiple wires are connected together use a solid wire 12 or 14 AWG JUMPER LEAD (included) to insert into the receptacle terminal. **Do not use L2.**

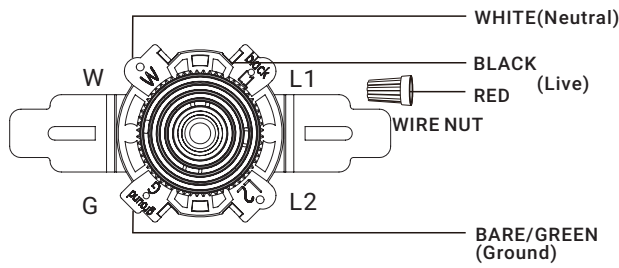
WIRING DIAGRAM#1:



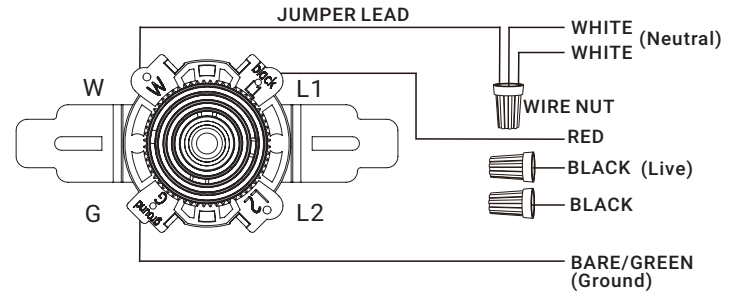
WIRING DIAGRAM#4:



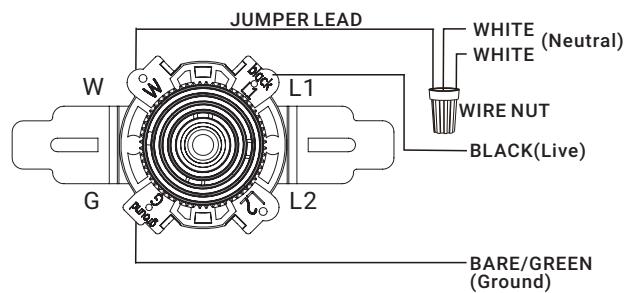
WIRING DIAGRAM#2:



WIRING DIAGRAM#5:



WIRING DIAGRAM#3:



NOTE: If you have multiple wires connected together, add **the included JUMPER LEAD** and insert jumper lead into terminal. Only one single wire can be inserted into terminal (See diagram 3-5).

LIMITED PRODUCT WARRANTY

For warranty info, visit www.LumLight.com/warranty