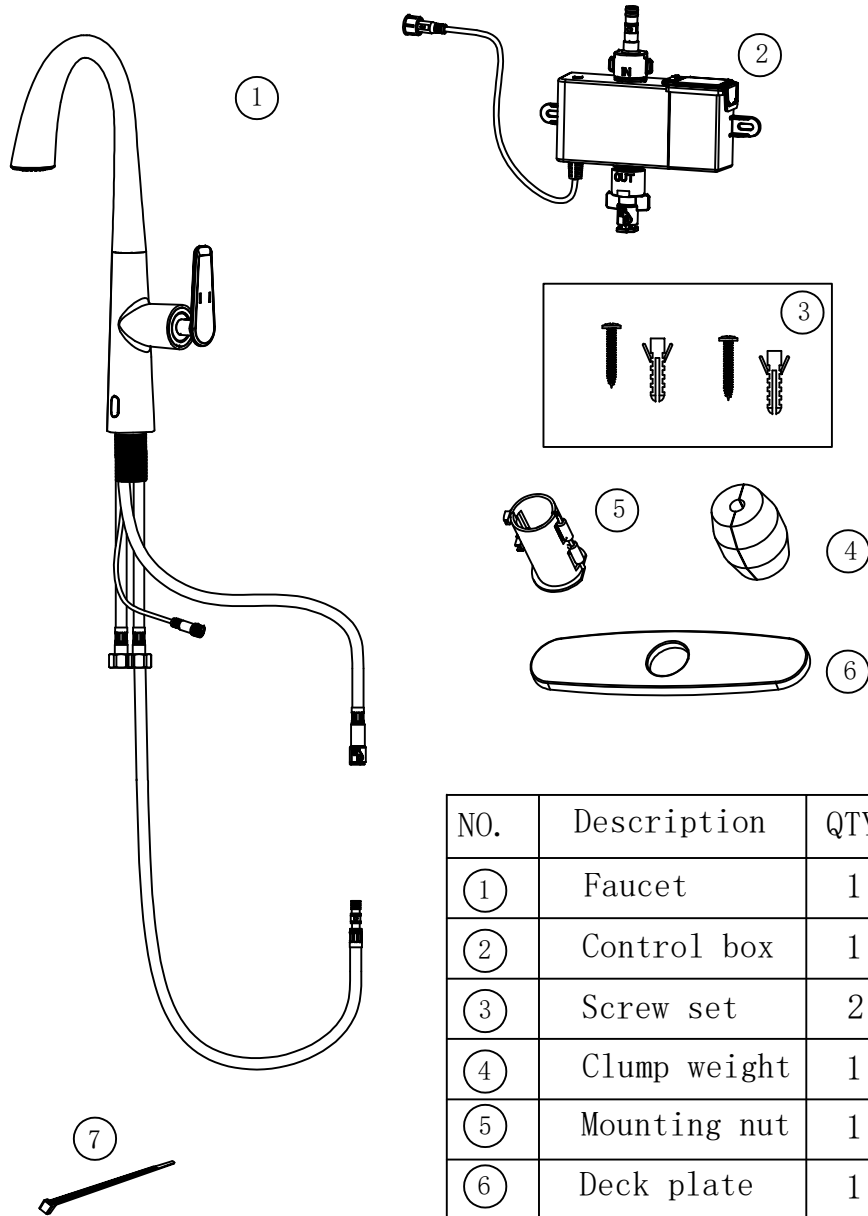


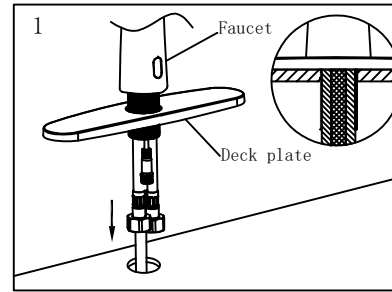
PRODUCT INSTALLATION MANUAL

List of standard parts

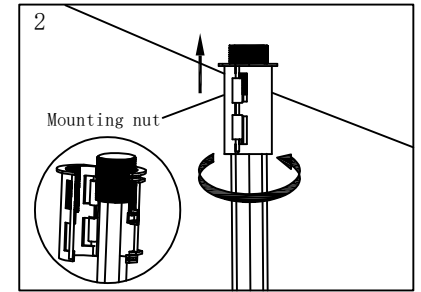


NO.	Description	QTY
①	Faucet	1
②	Control box	1
③	Screw set	2
④	Clump weight	1
⑤	Mounting nut	1
⑥	Deck plate	1
⑦	Zip tie	1

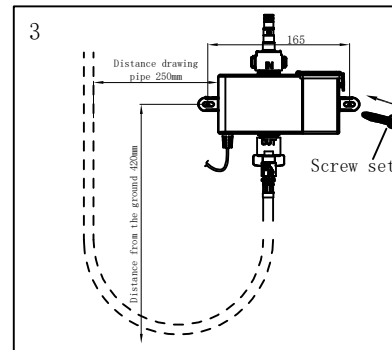
Installation instructions



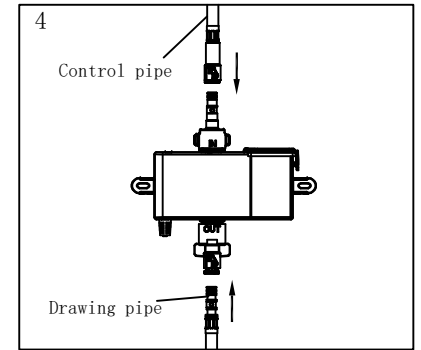
1. Put the bottom of the faucet on the base, and then insert the basin mounting hole.



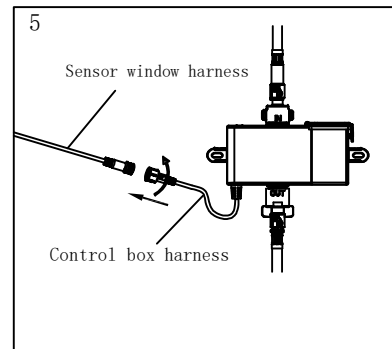
2. Align the quick nut with the thread at the bottom of the faucet. Close and screw up the fixed faucet.



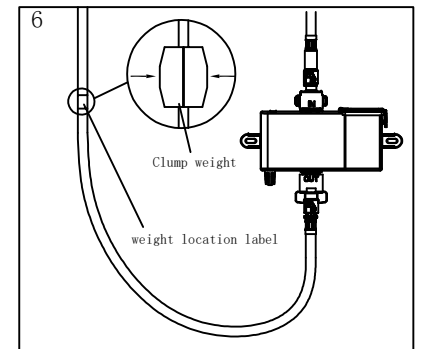
3. Mark and punch two $\varnothing 5.5$ holes as shown in the figure, insert the screw set into the hole.



4. Insert the control pipe downward towards the connector of the control box, and insert the drawing pipe upward.



5. Control box harness terminal and induction window line. Connect the harness terminals and tighten them with nuts.



6. Assemble the hose at the mark of the counterweight. And fasten it to the center.