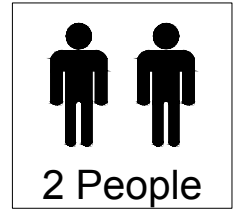
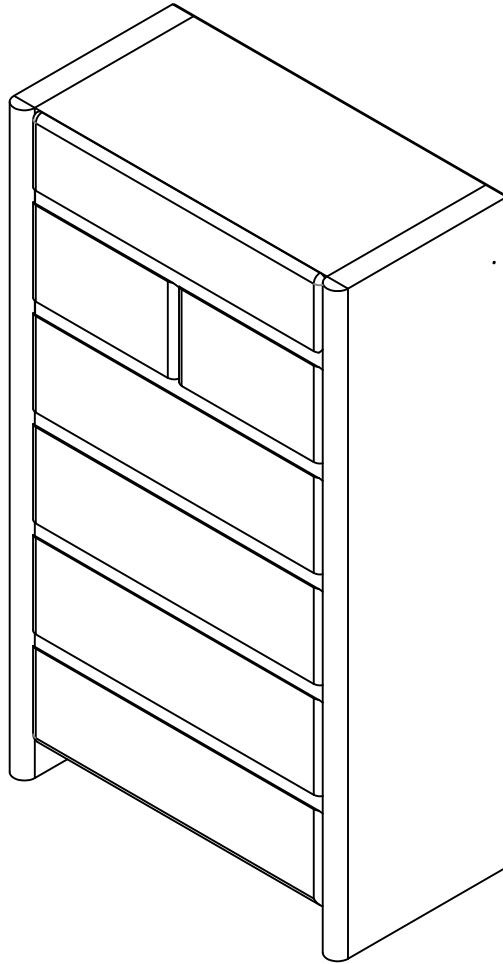
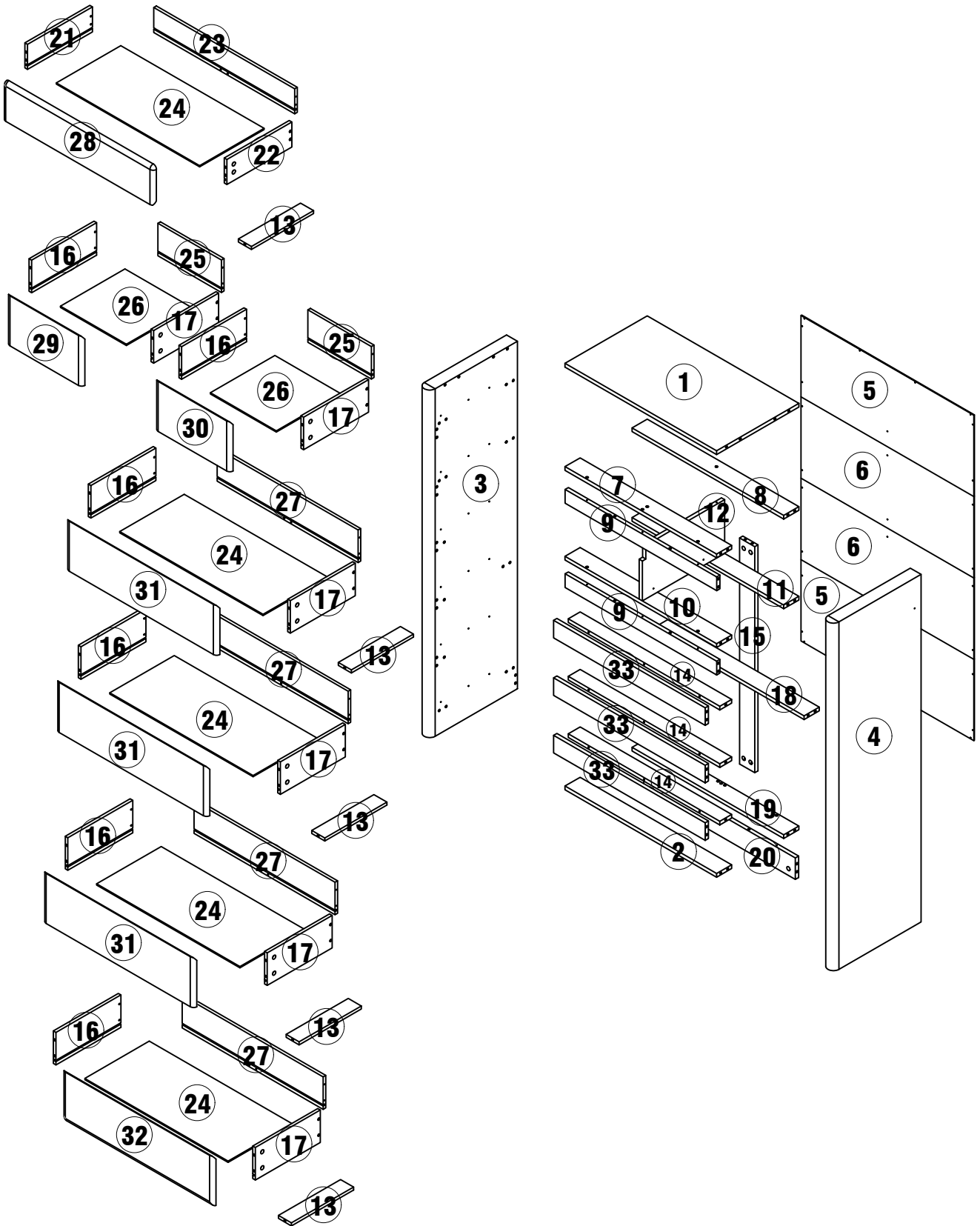


ASSEMBLY INSTRUCTIONS




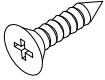
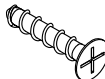
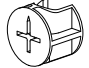
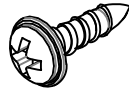

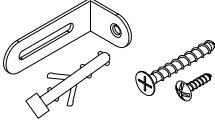
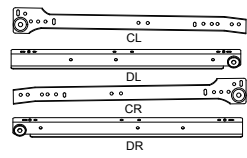
PACKAGE INCLUDE



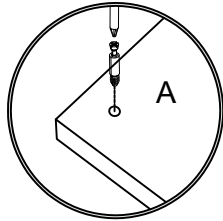
PACKAGE INCLUDE

CODE	DESCRIPTION	QTY
1	Top Panel	1
2	Front Bottom Plate	1
3	Left Side Panel	1
4	Right Side Panel	1
5	Upper Backboard	2
6	Middle Backboard	2
7	Go Forward To Strengthen The Bar	1
8	Up And Back Reinforcement	1
9	Upper Front Baffle	1
10	Middle Front Strengthening Bar	1
11	Mid-back Strengthening Article	1
12	Medium Vertical Plate	1
13	Drawer Bottom Strip	5
14	Lower Front Baffle Reinforcement Strip	3
15	Back Pull Strip	1
16	Lower Left Side Plate	6
17	Lower Right Side Plate	6
18	Strengthen The Strip After The Bottom	1
19	Back Bottom Plate	1
20	Back Support Plate	1
21	Draw The Panel On The Left	1
22	Up And Right Pull The Panel	1
23	Upper Pull Back Plate	1
24	Pull The Bottom Plate	6
25	Middle Pull Back Plate	2
26	Middle Drawing Bottom Plate	2
27	Draw The Back Plate	5
28	Draw The Panel	1
29	Middle Left Pull Panel	1
30	Middle And Right Draw Panel	1
31	Pull Down The Panel	3
32	Bottom Drawing Panel	1
33	Lower Front Baffle	3

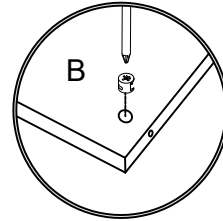
PACKAGE CONTENT

<p>Ø8X30MM</p>  <p>A 52X+2</p>	<p>Ø3X11MM</p>  <p>B 84X+2</p>	<p>Ø4X35MM</p>  <p>C 60X+2</p>	<p>Ø15X10MM</p>  <p>D 77X+2</p>
<p>Ø3.5X12MM</p>  <p>F 30X+1</p>	 <p>G 77X+2</p>	 <p>H 2X</p>	 <p>K 7X</p>

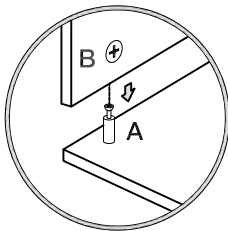
How to use the cam lock system



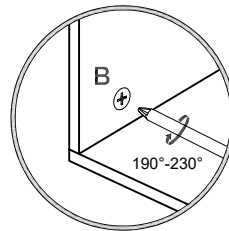
1. Screw cam bolt into panel



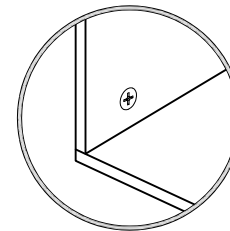
2. Push cam into panel - arrow feature on cam top points to panel edge



3. Align cam bolt(s) with cam(s) and insert all the way into cross-bored hole(s)

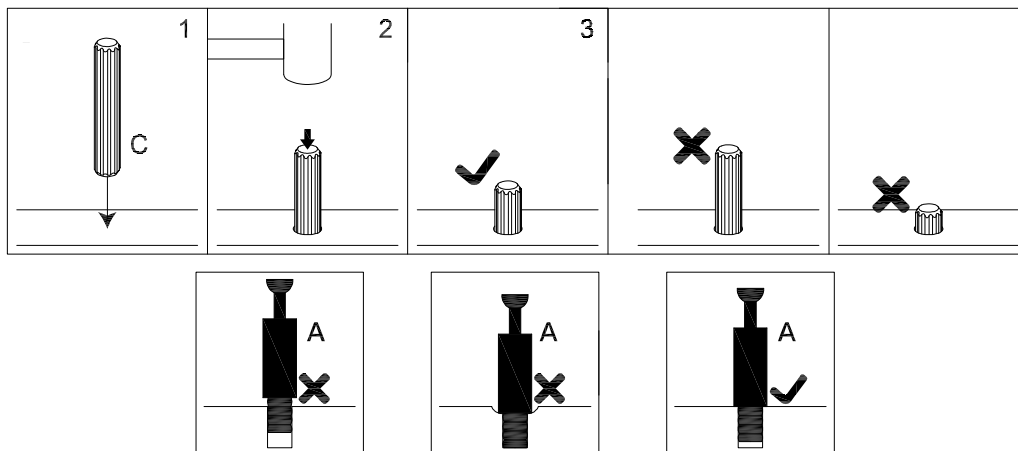


4. Rotate cam(s) clockwise 190°-230° to lock panels together



5. Panels should be tight against each other and connection should be rigid

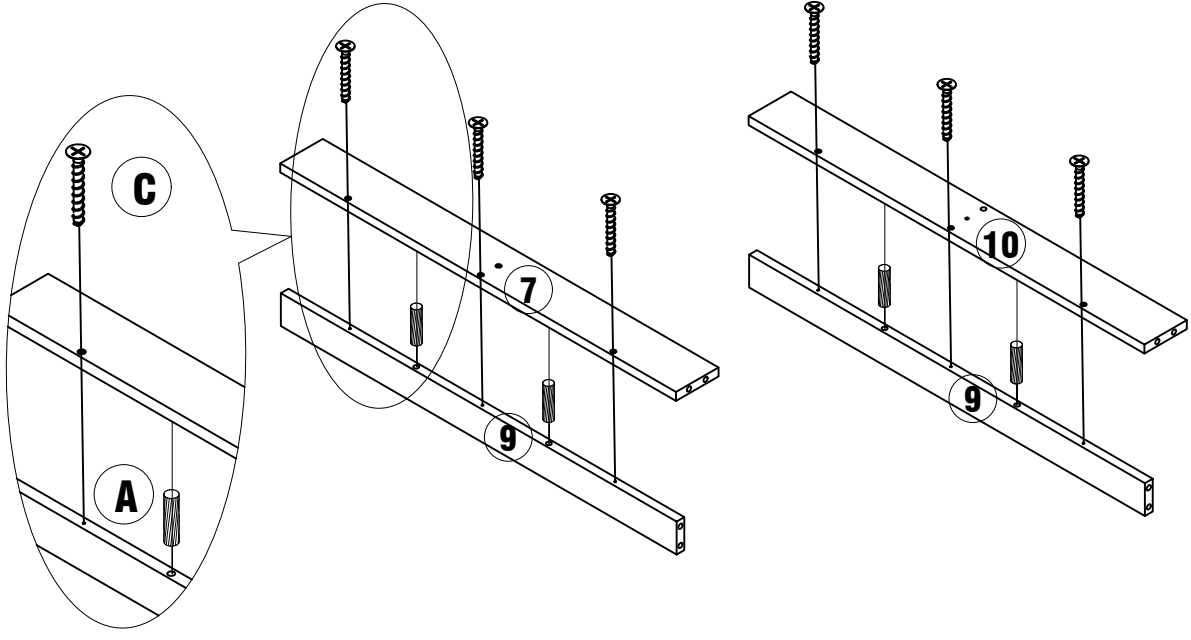
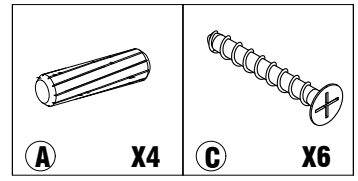
Insert the wood dowel [C] at least half way by tapping lightly with a rubber mallet, IF NECESSARY.



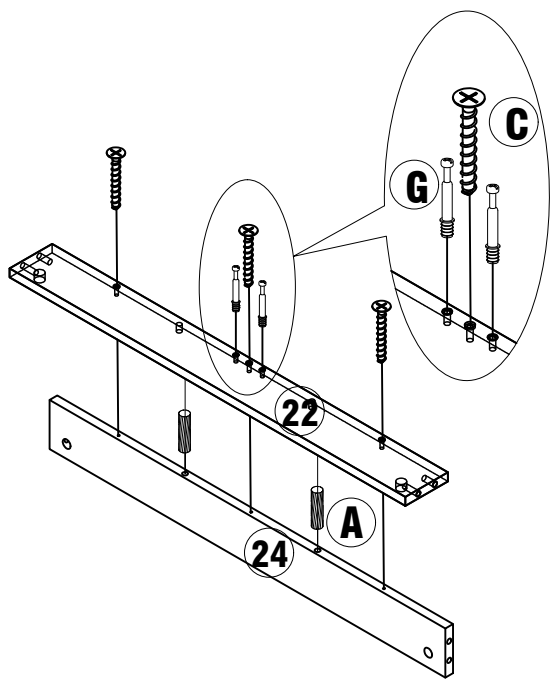
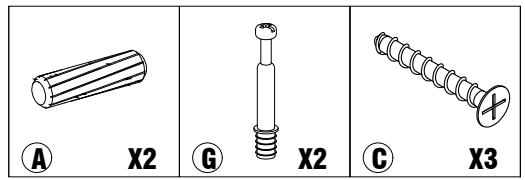
⚠ WARNING

- Unit must be placed on a level surface or leveled with included hardware (when applicable).
- Do not sit or stand on or allow children to climb, sit or stand on the assembled product.
- For safety reasons, it is imperative that this unit be mounted to the wall.
- Do not use without installing the tip restraint.
- Unit can tip over causing severe injury or death.
- Do not exceed the recommended weight limits.
- Evenly distribute the weight on each level and always keep the heavier loads on the bottom.
- Before cutting, drilling or hammering into any wall or floor surface, verify the location of electrical, plumbing and gas lines. Cutting may cause serious injury.

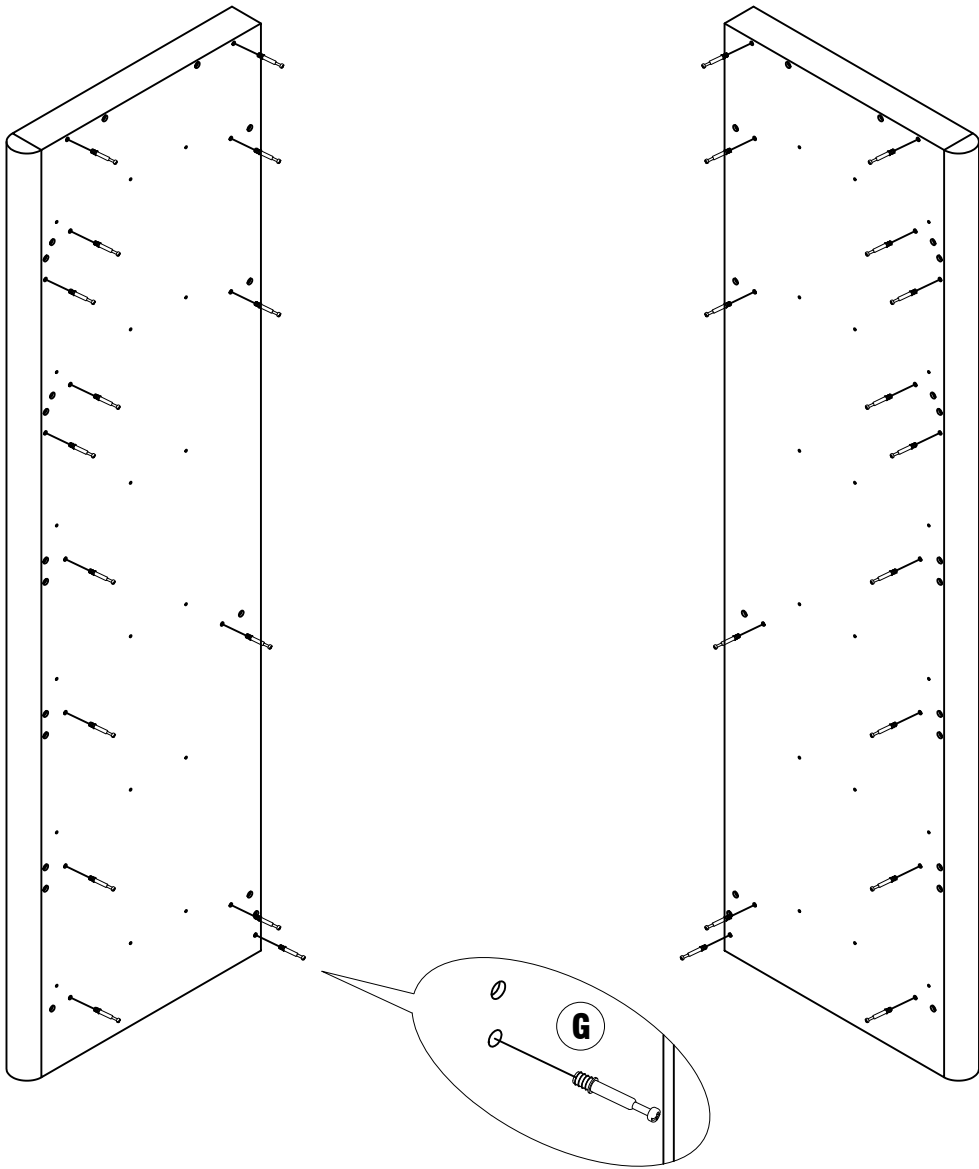
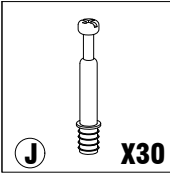
STEP 1



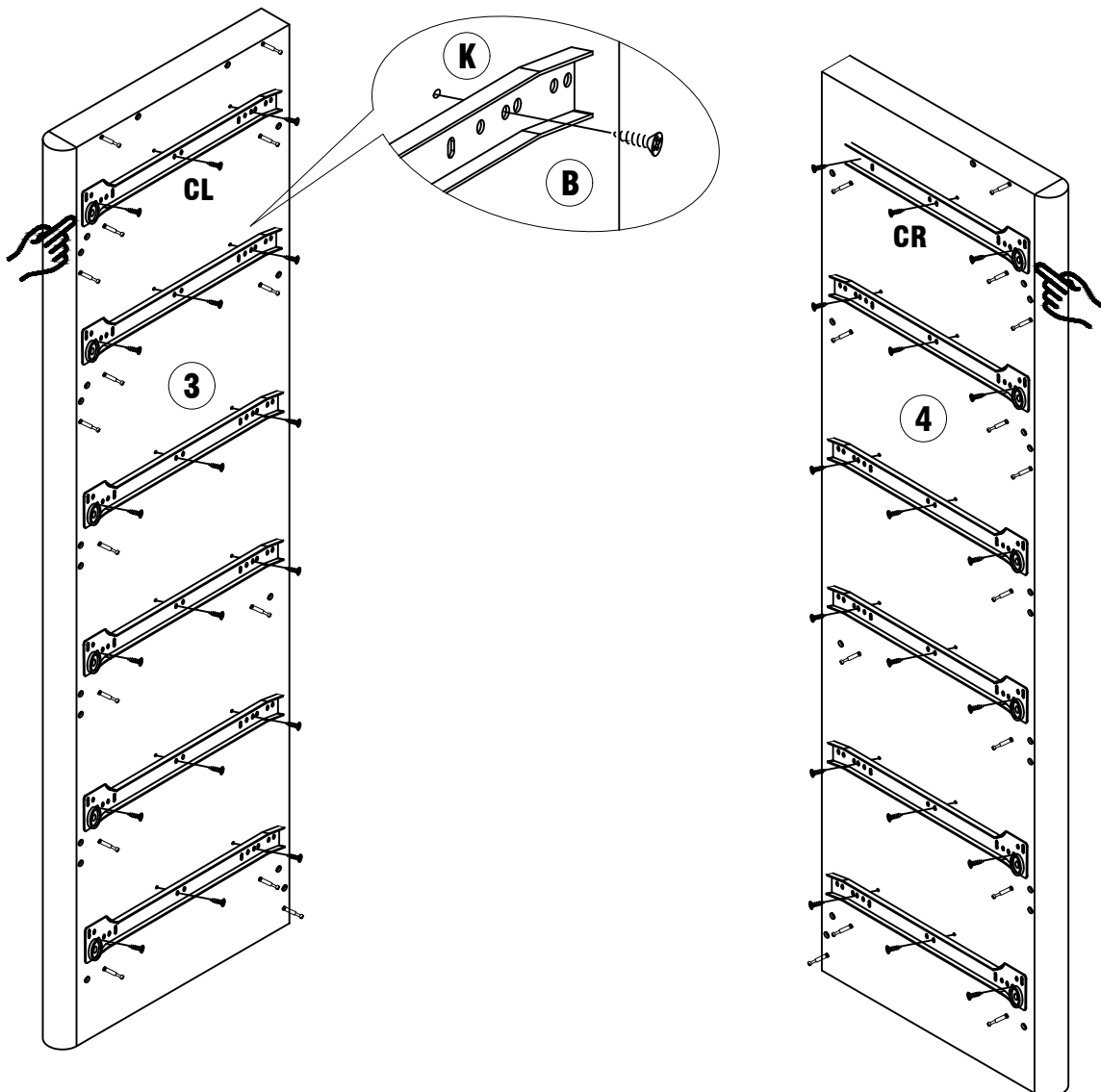
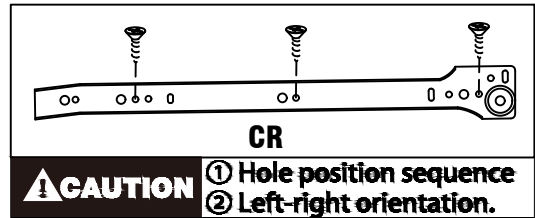
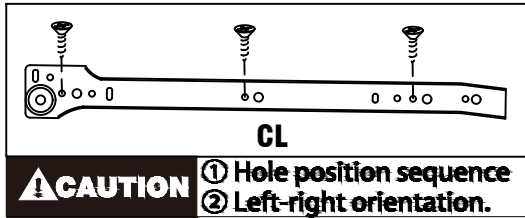
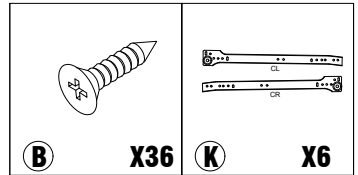
STEP 2



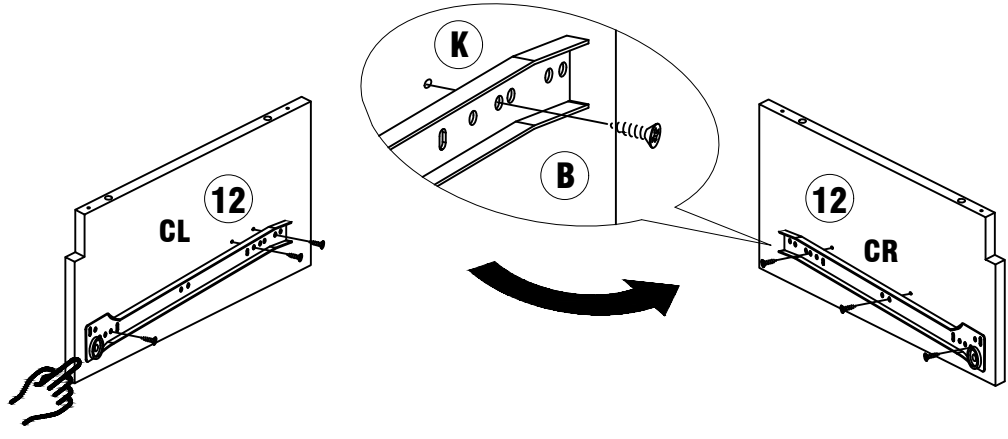
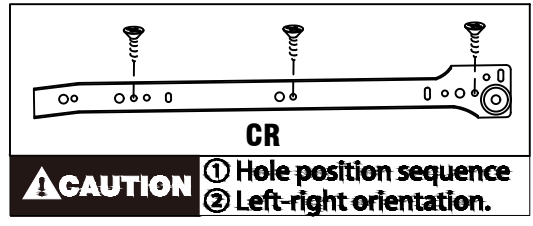
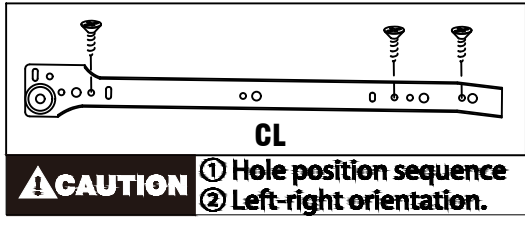
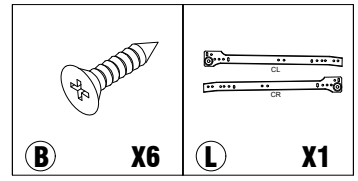
STEP 3



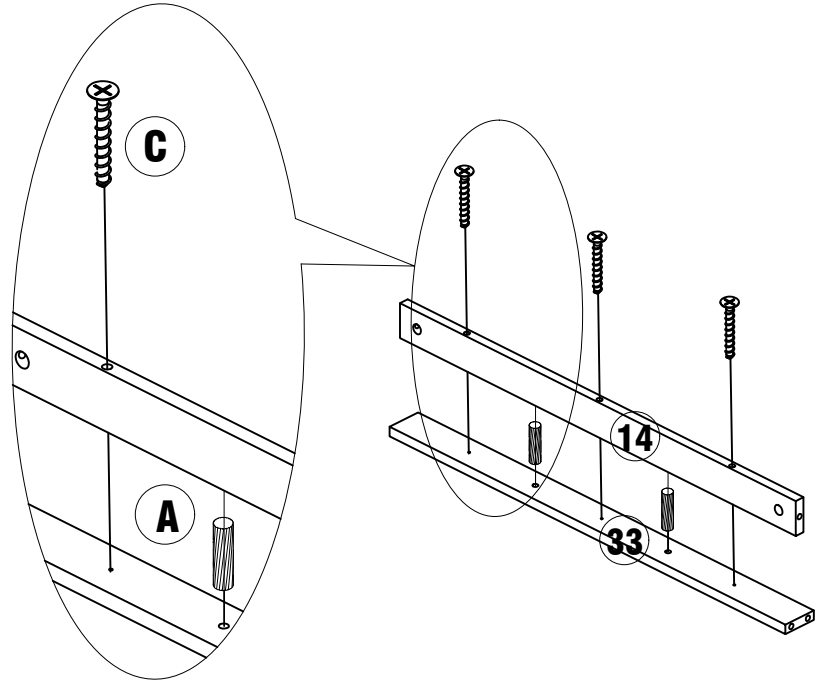
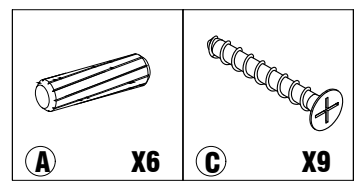
STEP 4



STEP 5

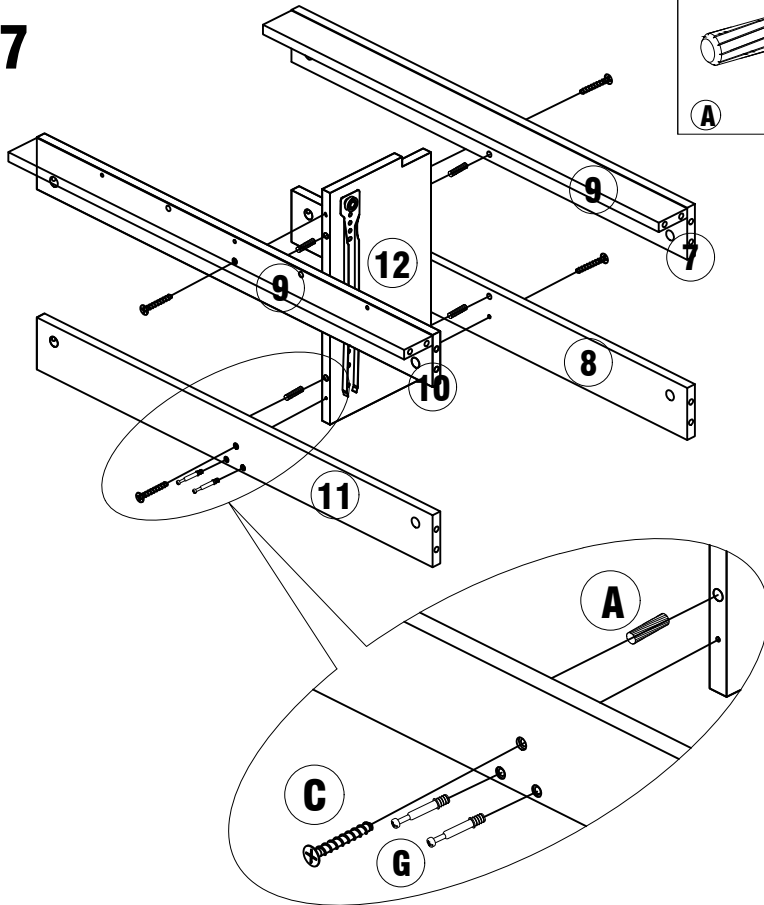


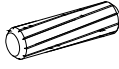
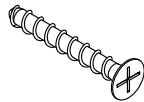

STEP 6



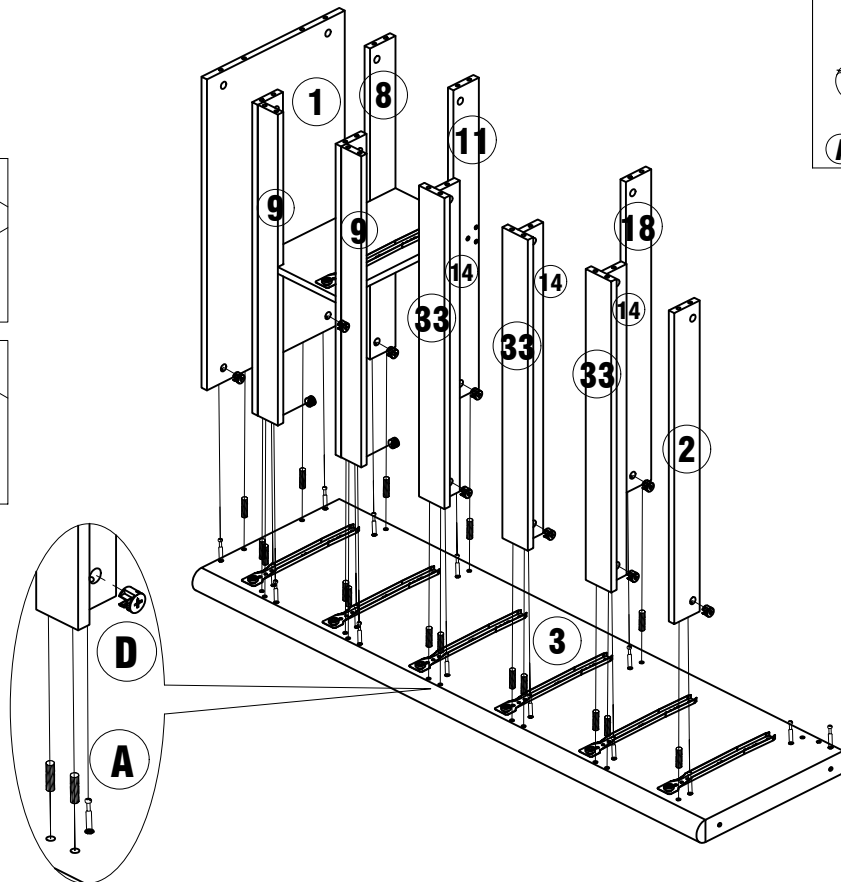
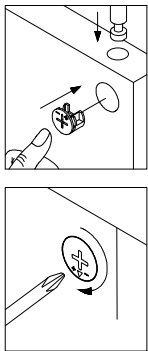
X3

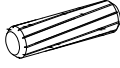
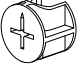
STEP 7



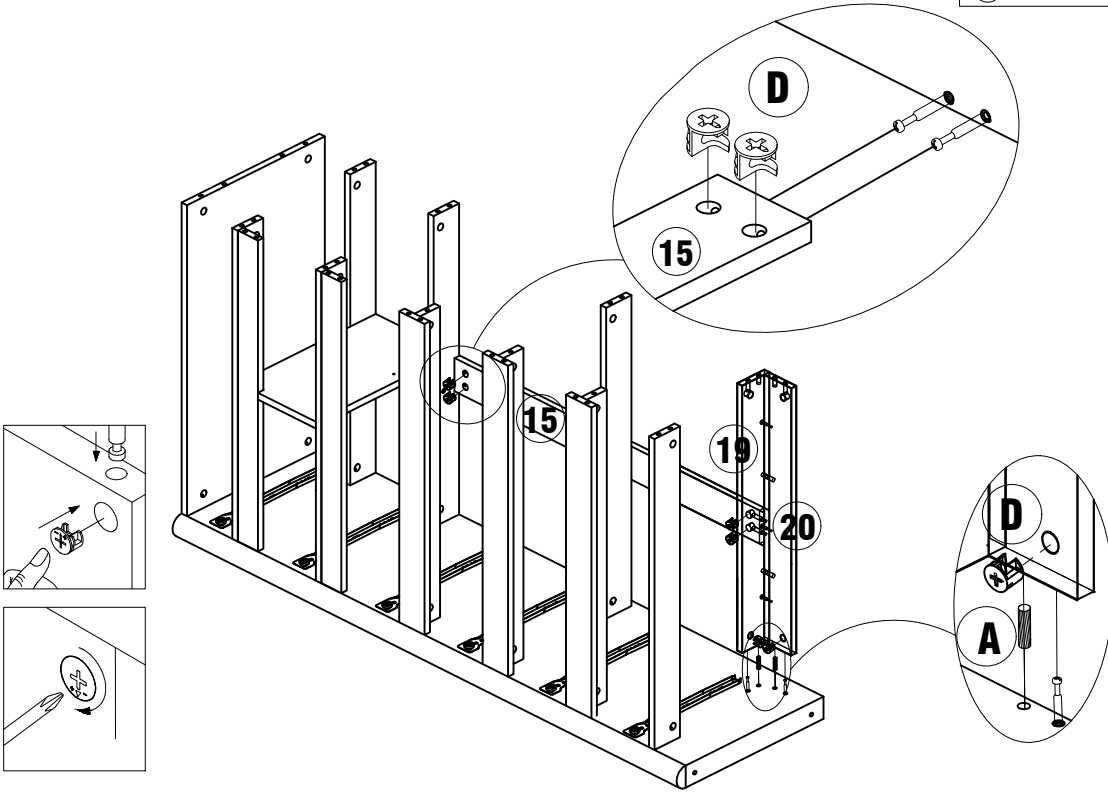
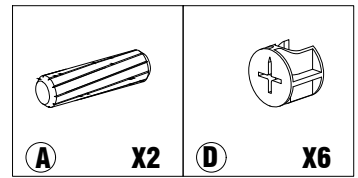
	A	X4		C	X4		G	X2
--	----------	-----------	---	----------	-----------	---	----------	-----------

STEP 8

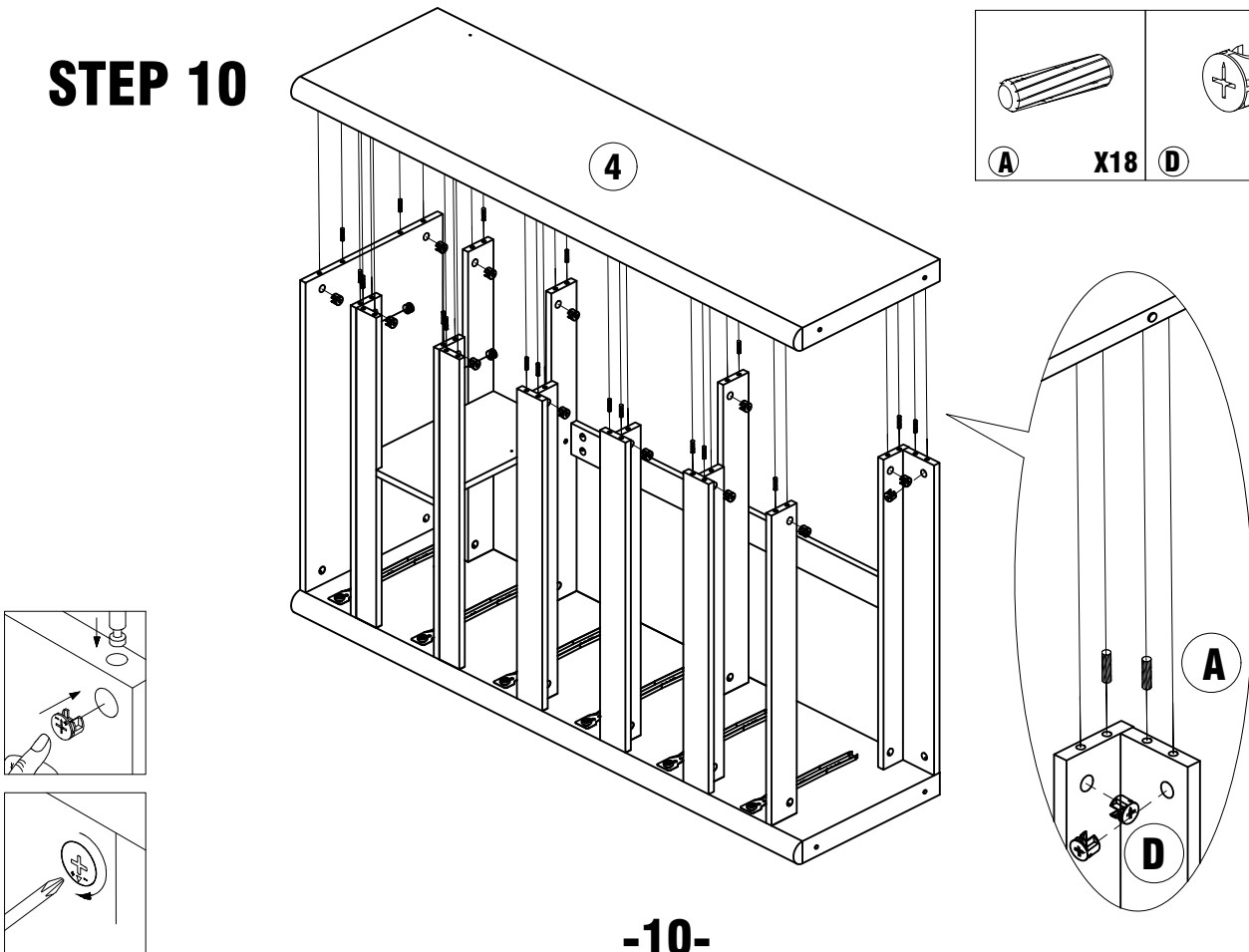
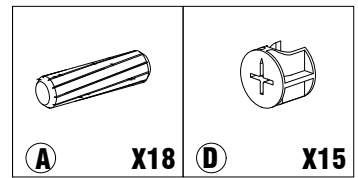


	A	X16		D	X13
---	----------	------------	---	----------	------------

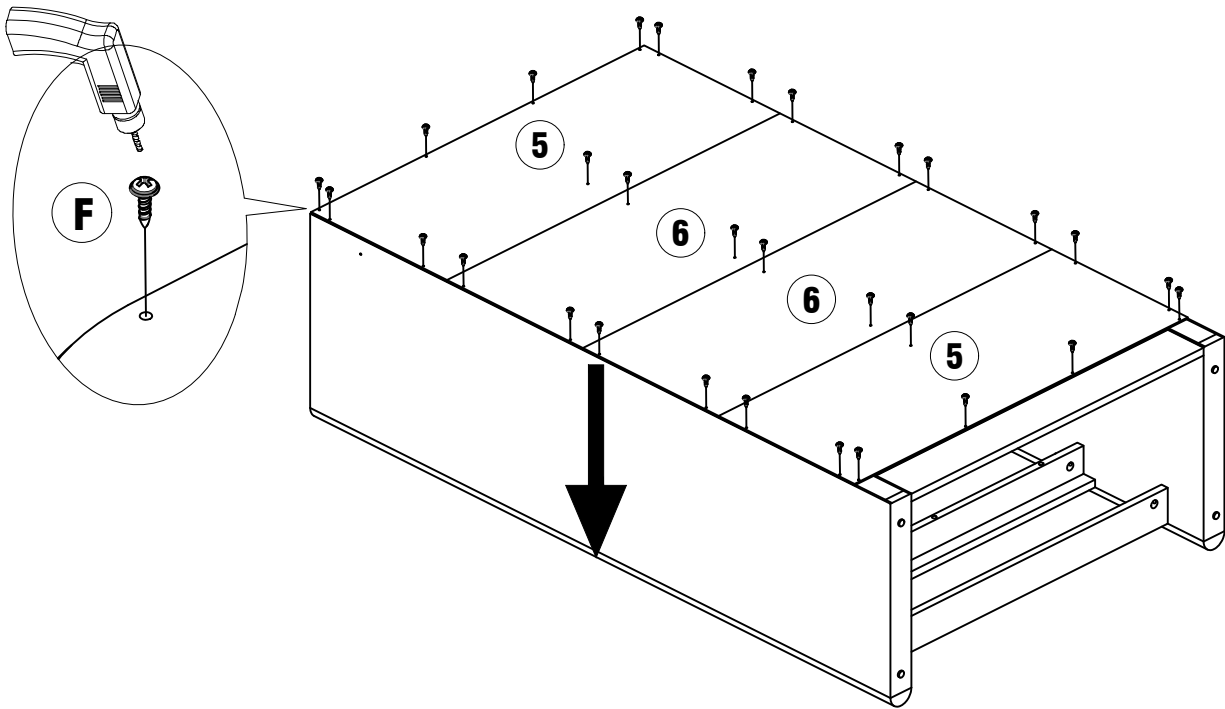
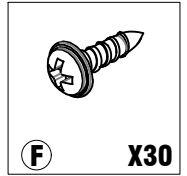
STEP 9



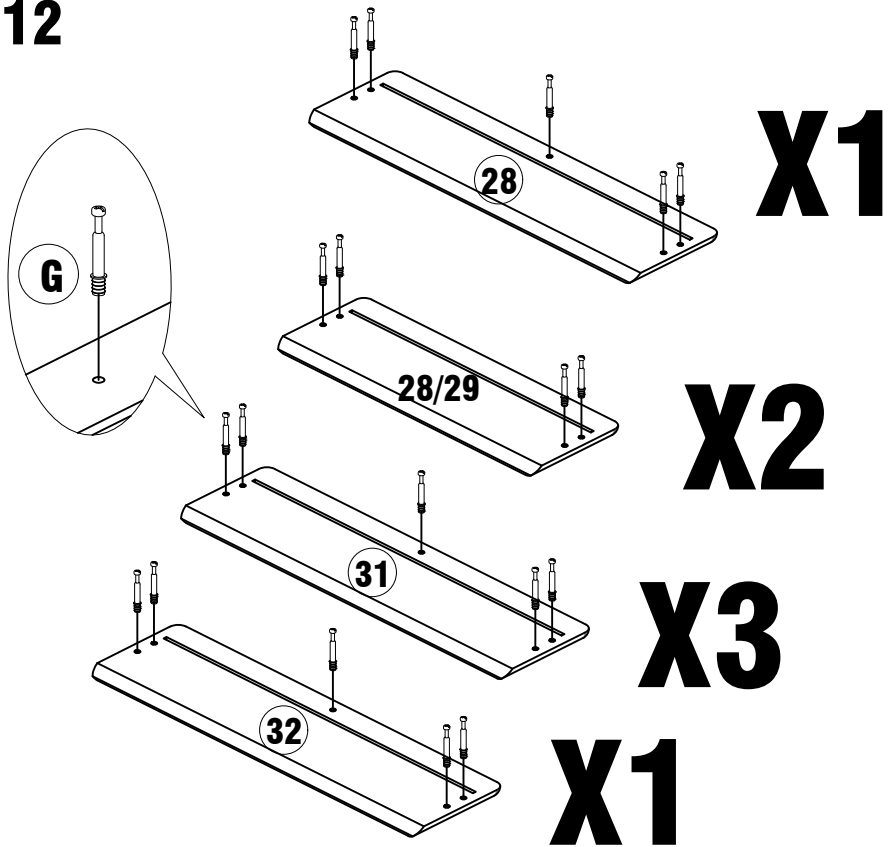
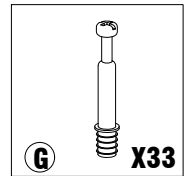
STEP 10



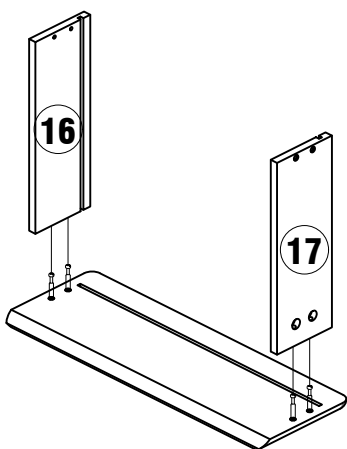
STEP 11



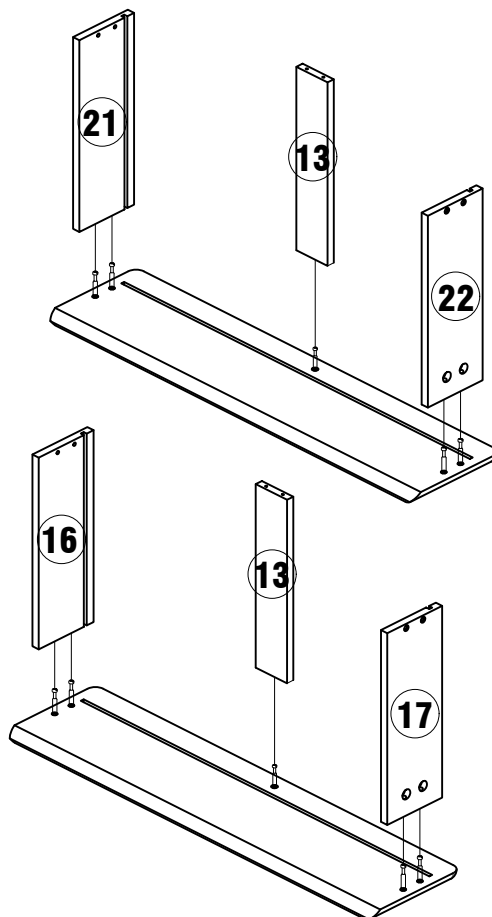
STEP 12



STEP 13



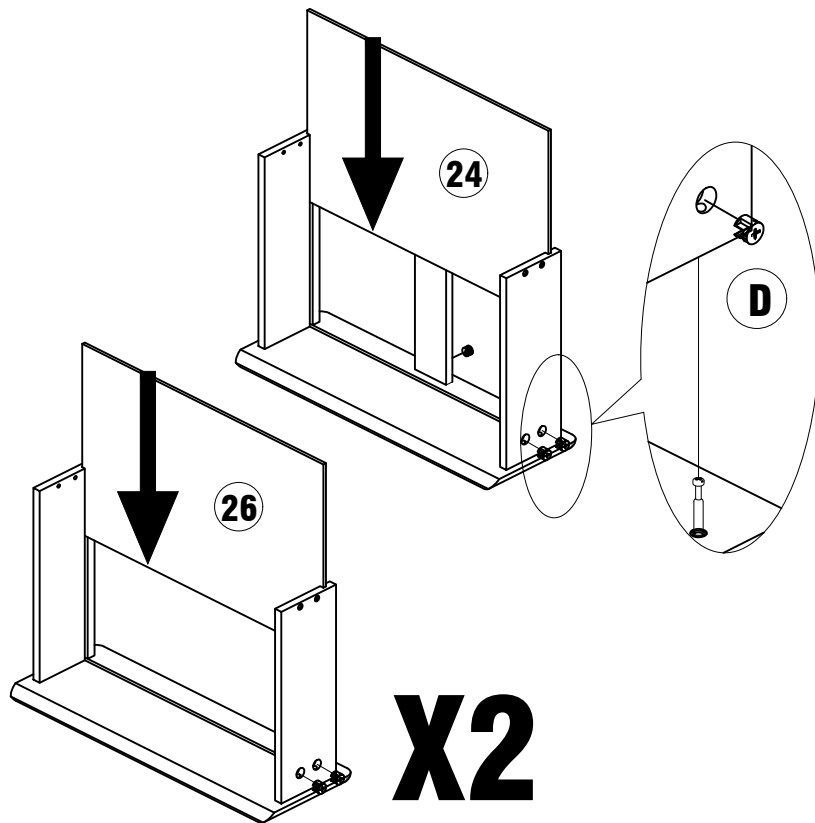
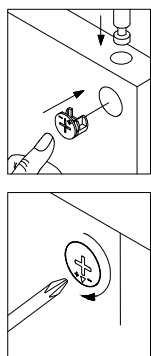
X2



X1

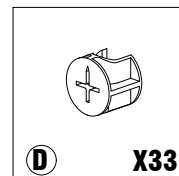
X4

STEP 14

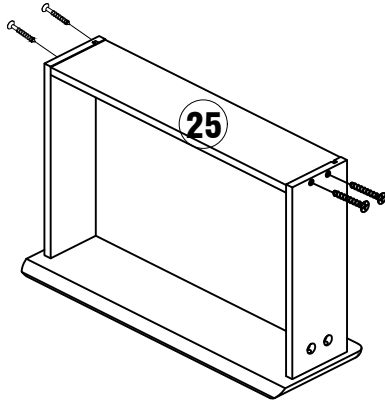


X2

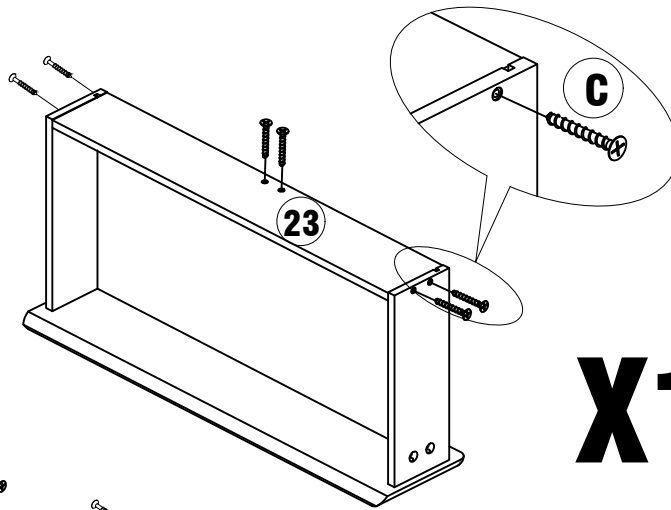
X5



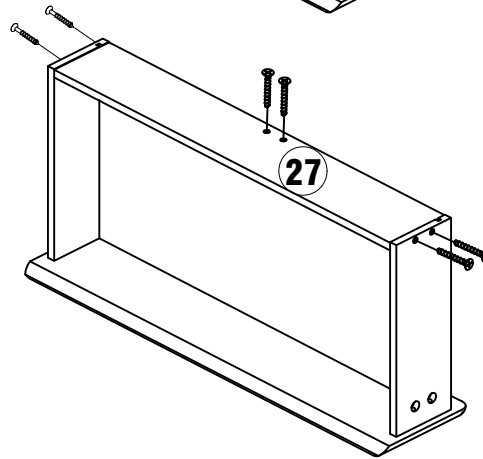
STEP 15



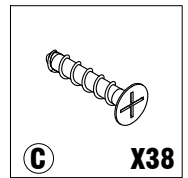
X2



X1

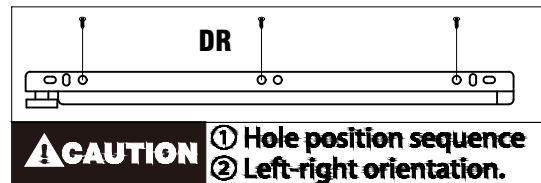
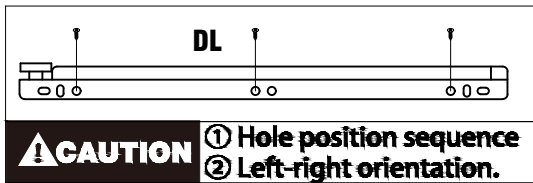


X4

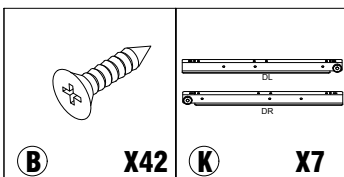
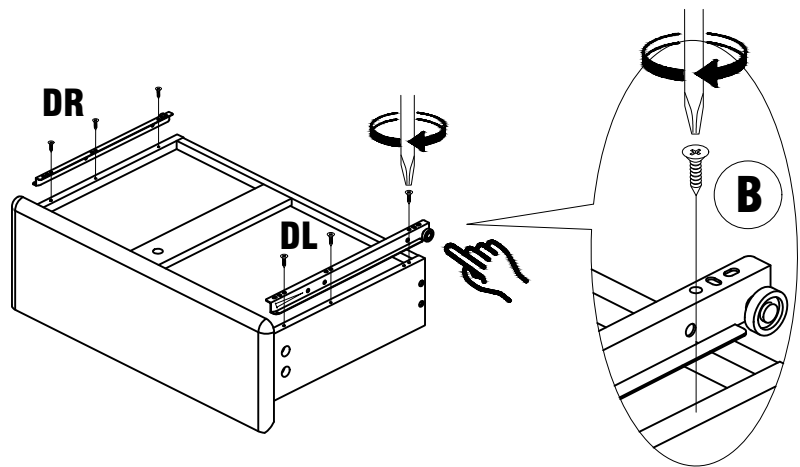


C X38

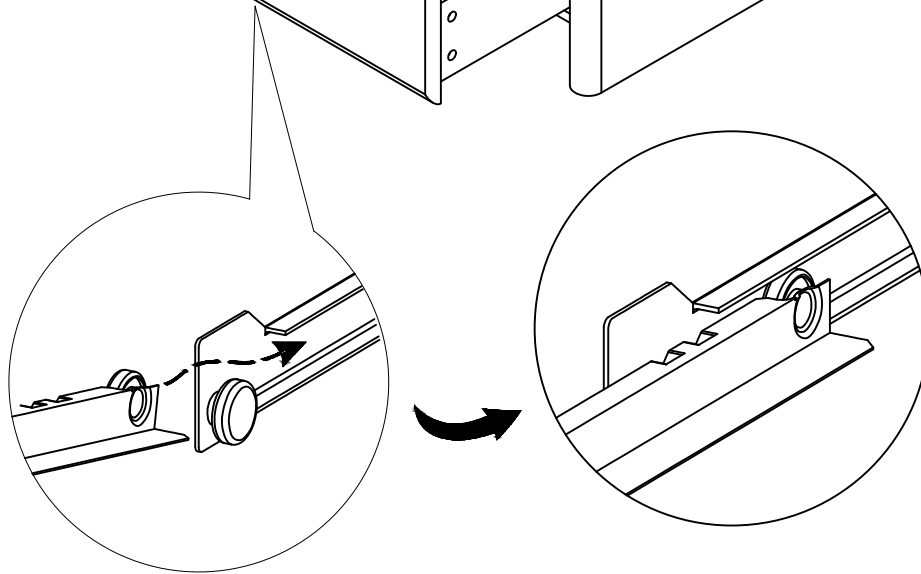
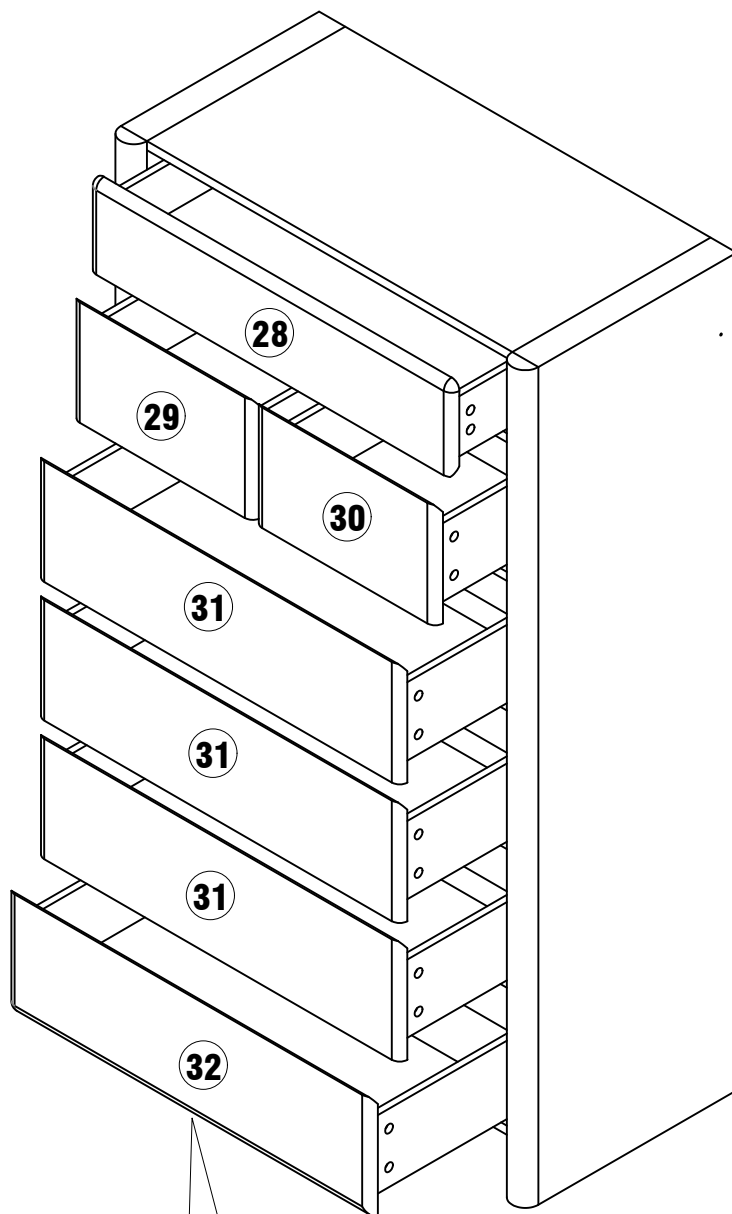
STEP 16



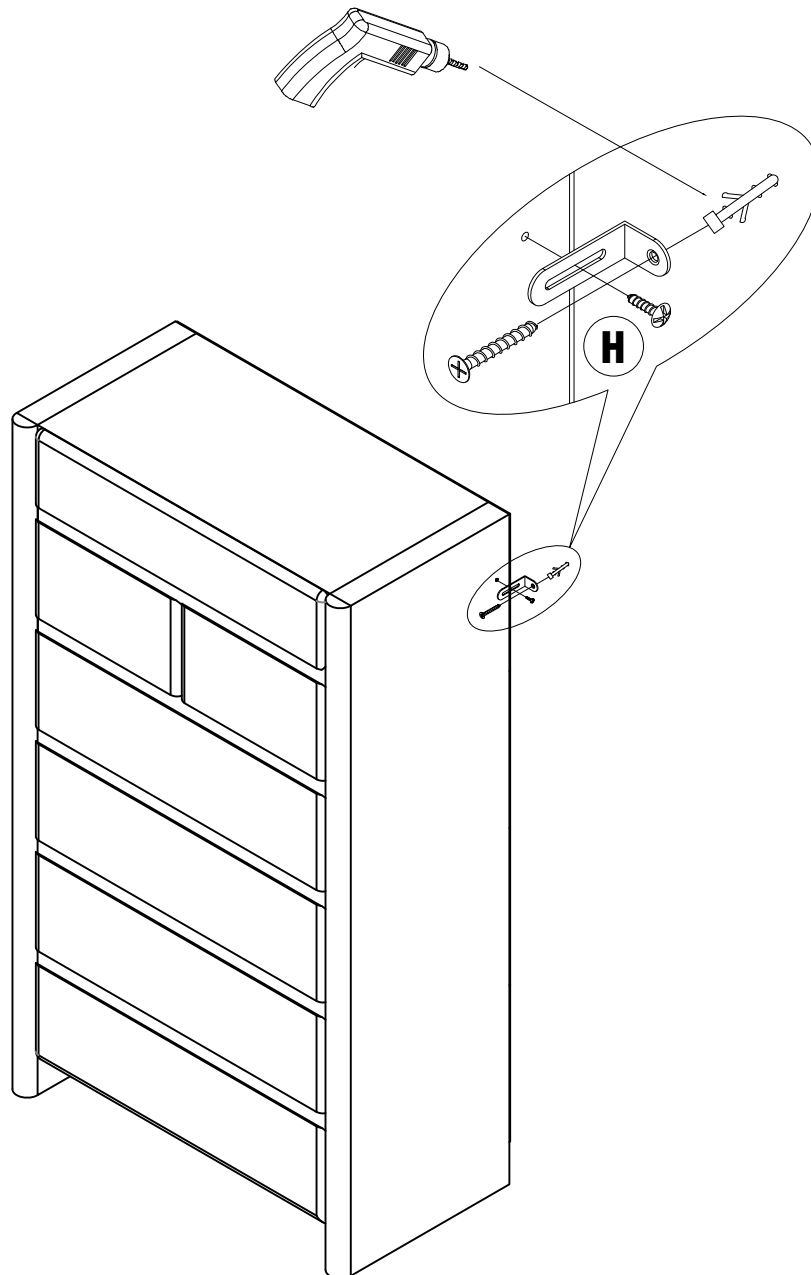
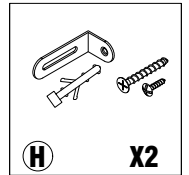
X7



STEP 17



STEP 18



▲ WARNING



Children have died from furniture tipover. To reduce the risk of furniture tipover:

- ALWAYS install anti-tip device provided.
- NEVER put a TV on this product.
- NEVER allow children to stand, climb or hang on any drawers, doors, or shelves.
- NEVER open more than one drawer at a time.
- Place heaviest items in the lowest drawers.



*this is a permanent label.
Do not remove!*