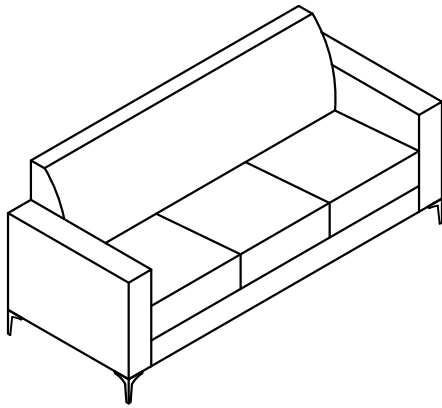
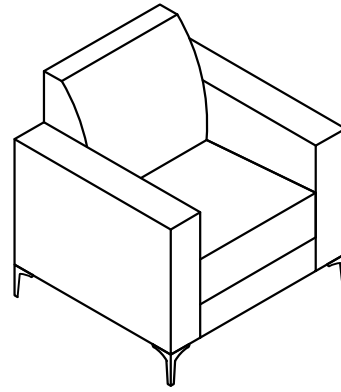


Assembly Instructions



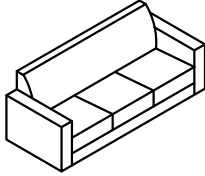
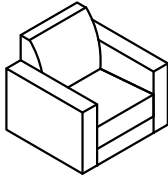
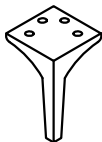
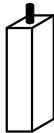

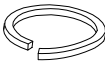

SOFA



CHAIR

REQUIRED TOOLS: (Included) · Wrench

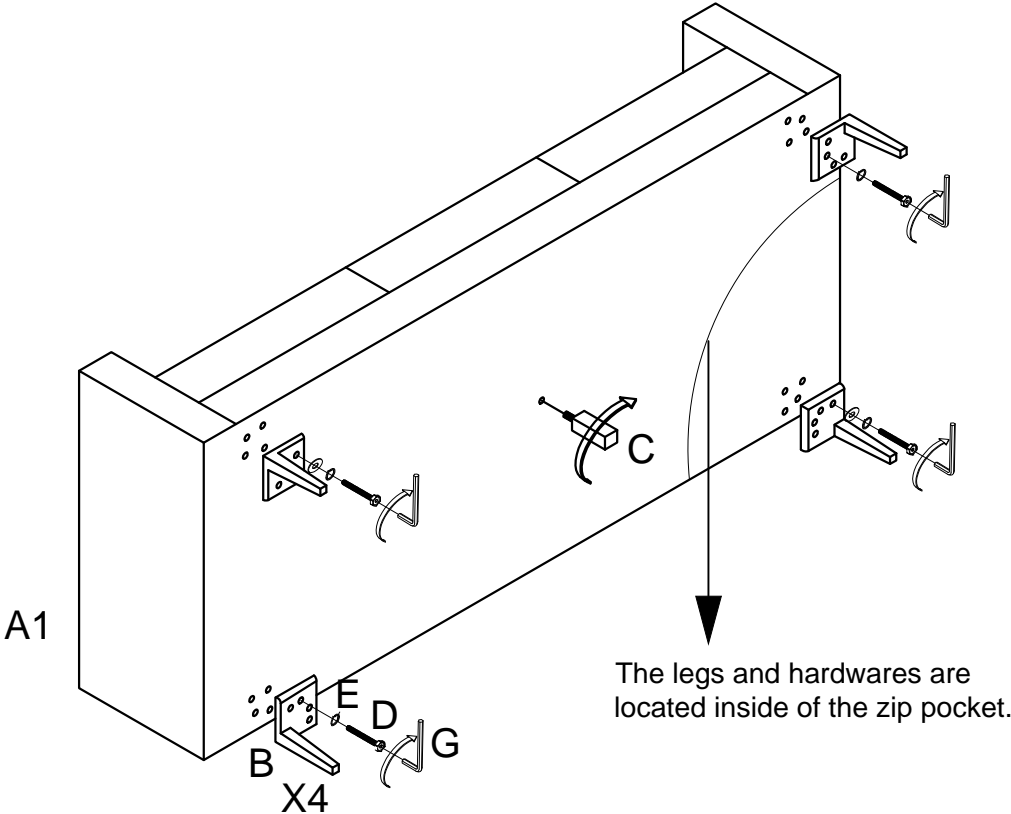
PARTS:(Included)

LABEL	DESCRIPTION	PICTURE	QTY
A1	SOFA ASSEMBLY		SOFA-1 PC
A2	CHAIR ASSEMBLY		CHAIR-1 PC
B	METAL LEG		SOFA- 4 PCS CHAIR-4 PCS
C	SUPPORT LEG		SOFA-1 PC
D	BOLT		SOFA-16 PCS CHAIR-16 PCS
E	SPRING WASHER		SOFA-16 PCS CHAIR-16 PCS
F	WRENCH		SOFA-1 PC CHAIR-1 PC

Assembly Instructions

It is recommended to have 2 adults on hand for assembly.
Ensure that all bolts are tightened before use. Check and tighten all bolts periodically throughout use of the products.

(SOFA)



(CHAIR)

