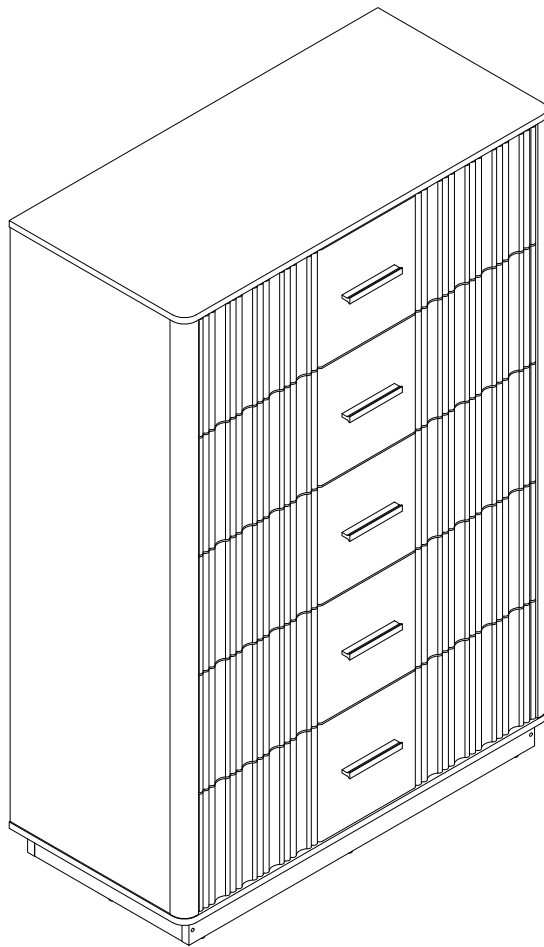


# Assembly Instructions

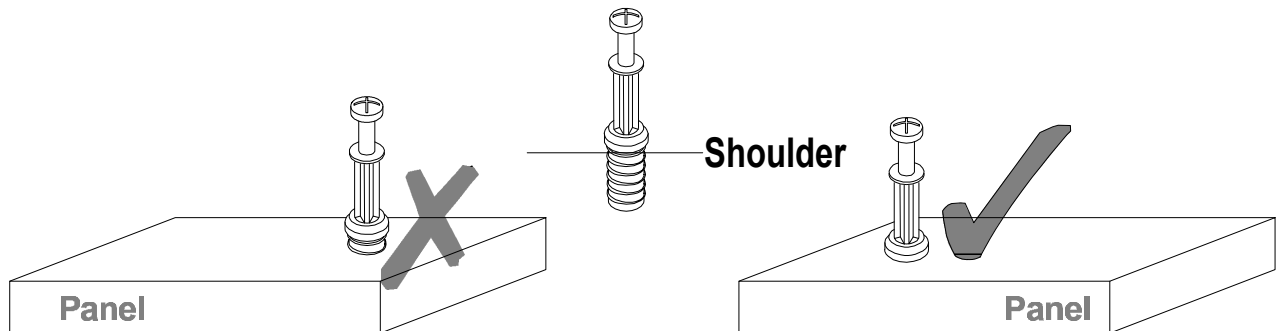


# Before Assembly

## Tips Before Your Start:

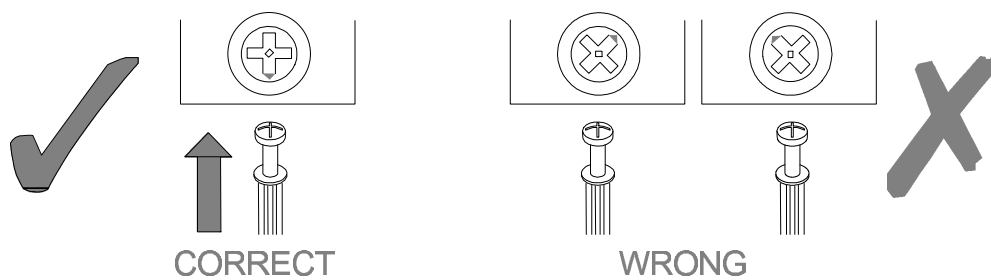
- Remove all wrapping material, including staples & packing straps before you start to assemble.
- DO NOT tighten all screws and bolts until the assembly is completely assembled.
- Keep all hardware parts out of reach of children.

## QUICKFIT



Tighten quickfit until shoulder is flush with panel. Do not overtighten or undertighten.

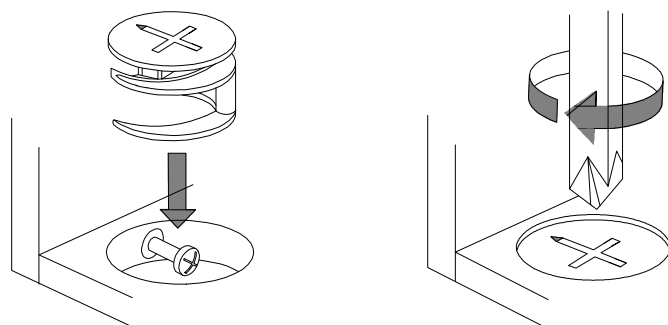
## CAM LOCK



When fitting a cam lock, ensure the starting position is correct before inserting the connecting QUI CKFIT

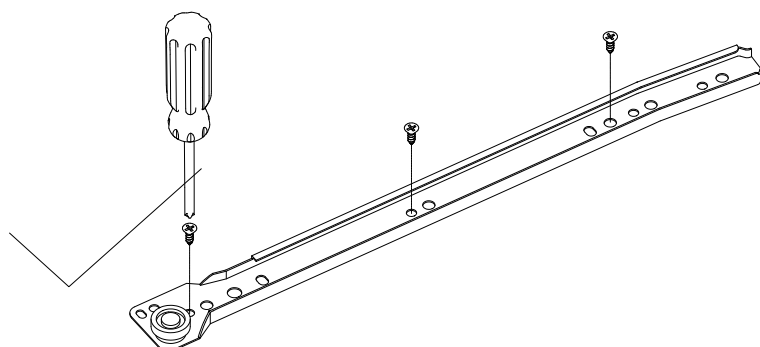
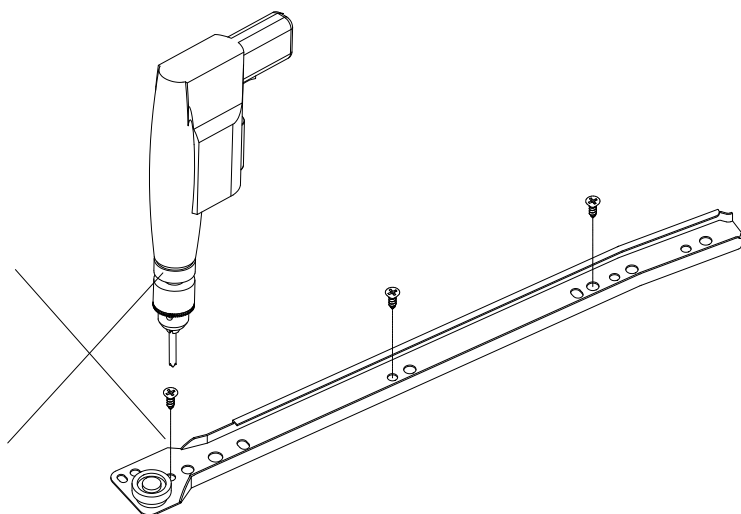
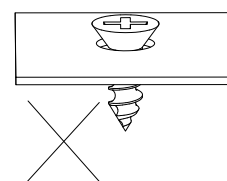
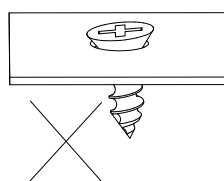
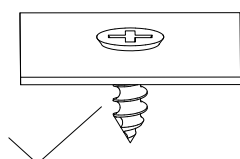
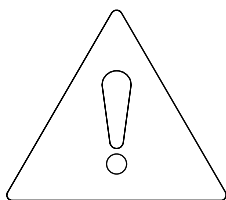
Quickfit head should be in the centre of the cam lock when the two panels are joined.

Cam lock should be inserted before quickfit.

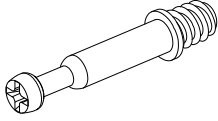


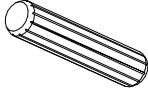
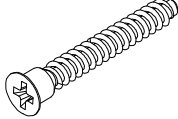
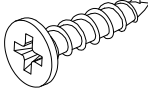
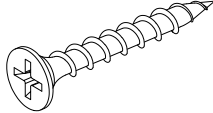
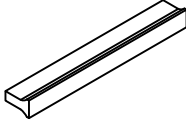
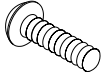
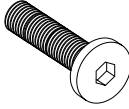
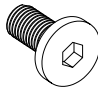

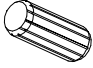
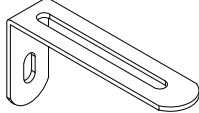
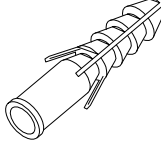
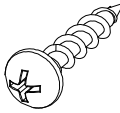
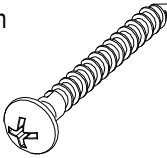
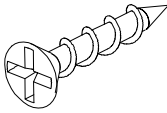
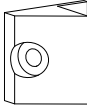
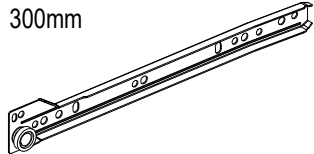
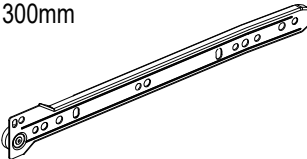
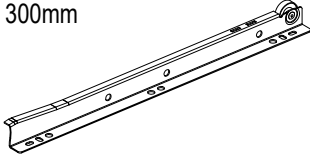
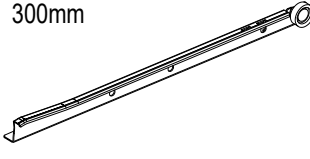


**SAFETY TIPS:**Static charge may cause dust on foam - clean with a dry or damp cloth.Small foam strands may be present - handle gently and dispose of properly.Do not bur or incinerate. Check local recycling guidelines.

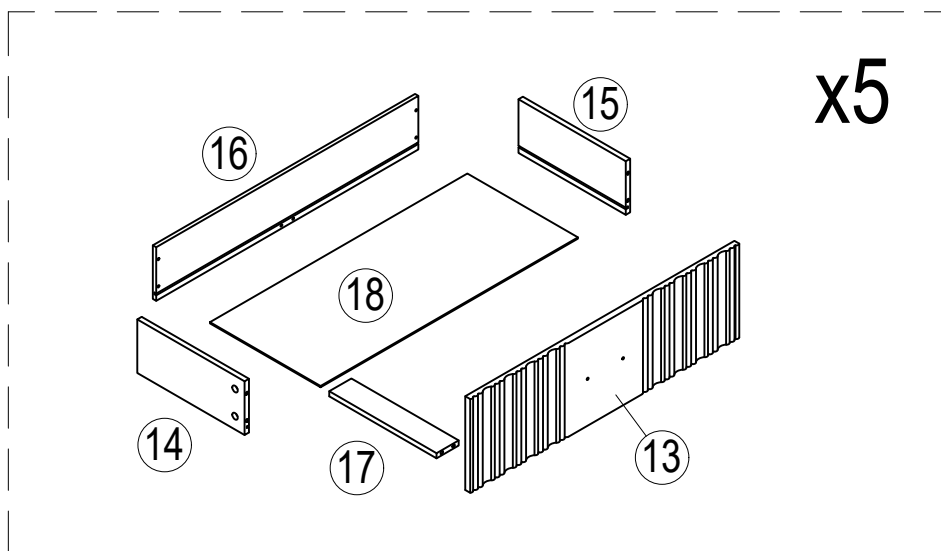
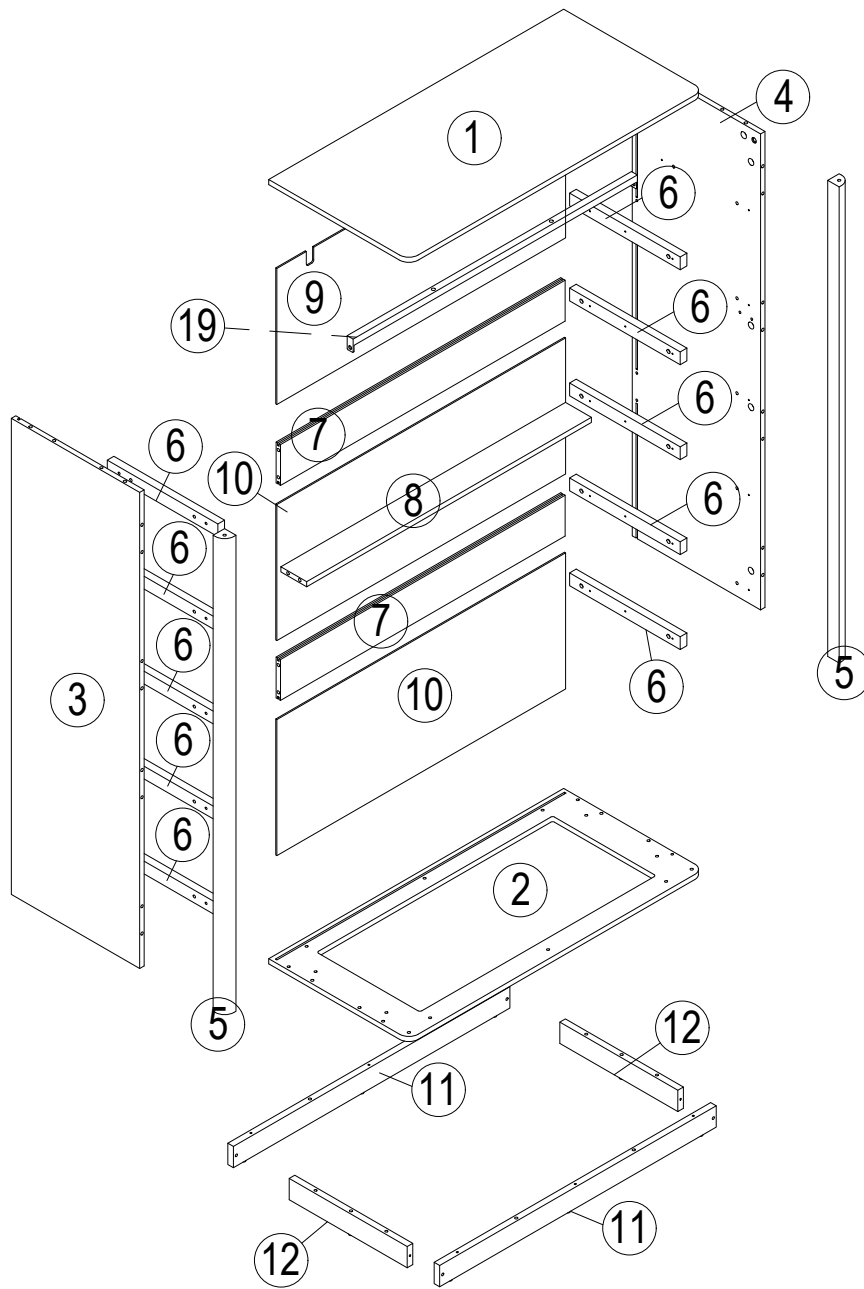
**Please kindly note the following points when you assemble the sliders of the drawers**



# Part List

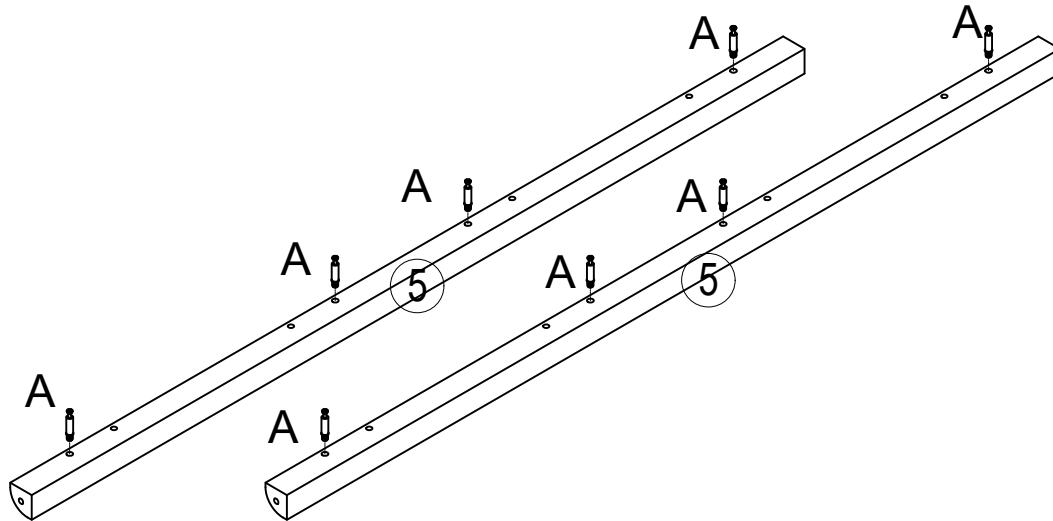
<p><b>No. A</b> Quantity: 54+2 PCS Cam Bolt ø6x33.5mm</p> 	<p><b>No. B</b> Quantity: 54+2 PCS Cam ø15x9.5mm</p> 	<p><b>No. C</b> Quantity: 54+2 PCS Sticker ø20mm</p> 	<p><b>No. D</b> Quantity: 26+2 PCS Dowel ø6x30mm</p> 
<p><b>No. E</b> Quantity: 18+1 PCS Screw ø5x48mm</p> 	<p><b>No. F</b> Quantity: 60+2 PCS Screw ø3.5x12mm</p> 	<p><b>No. G</b> Quantity: 50+2 PCS Screw ø4x25mm</p> 	<p><b>No. H</b> Quantity: 5 PCS Handle 114x17x11mm</p> 
<p><b>No. I</b> Quantity: 10+1 PCS Screw M4x20mm</p> 	<p><b>No. J</b> Quantity: 2 PCS Bolt M6x25mm</p> 	<p><b>No. K</b> Quantity: 2 PCS Bolt M6x12mm</p> 	<p><b>No. L</b> Quantity: 1 PCS Hex Key 4mm</p> 
<p><b>No. M</b> Quantity: 20+2 PCS Dowel ø6x20mm</p> 	<p><b>No. N</b> Quantity: 2 PCS L-Shaped anti tipping iron bar 76x15x30mm</p> 	<p><b>No. O</b> Quantity: 2 PCS Plastic Expansion ø8x40mm</p> 	<p><b>No. P</b> Quantity: 2 PCS Screw ø4x10mm</p> 
<p><b>No. Q</b> Quantity: 2 PCS Screw ø4x38mm</p> 	<p><b>No. R</b> Quantity: 12PCS Screw ø3x16mm</p> 	<p><b>No. S</b> Quantity: 12 PCS Back Buckle 15x15x10mm</p> 	<p><b>No. CL</b> Quantity: 5 PCS Drawer Slider 300mm</p> 
<p><b>No. CR</b> Quantity: 5 PCS Drawer Slider 300mm</p> 	<p><b>No. DL</b> Quantity: 5 PCS Drawer Slider 300mm</p> 	<p><b>No. DR</b> Quantity: 5 PCS Drawer Slider 300mm</p> 	

# Product structure

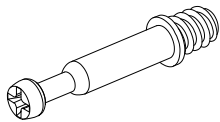


x5

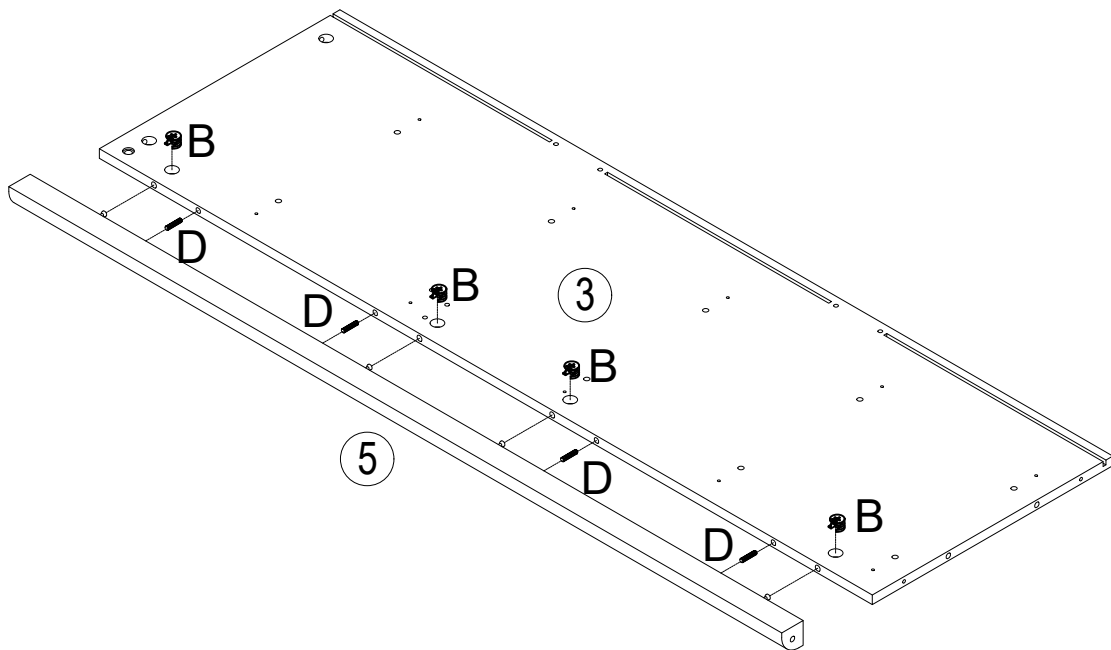
# STET 1



No. A  
Quantity: 8 PCS  
Cam Bolt  
ø6x33.5mm



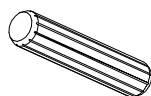
# STET 2



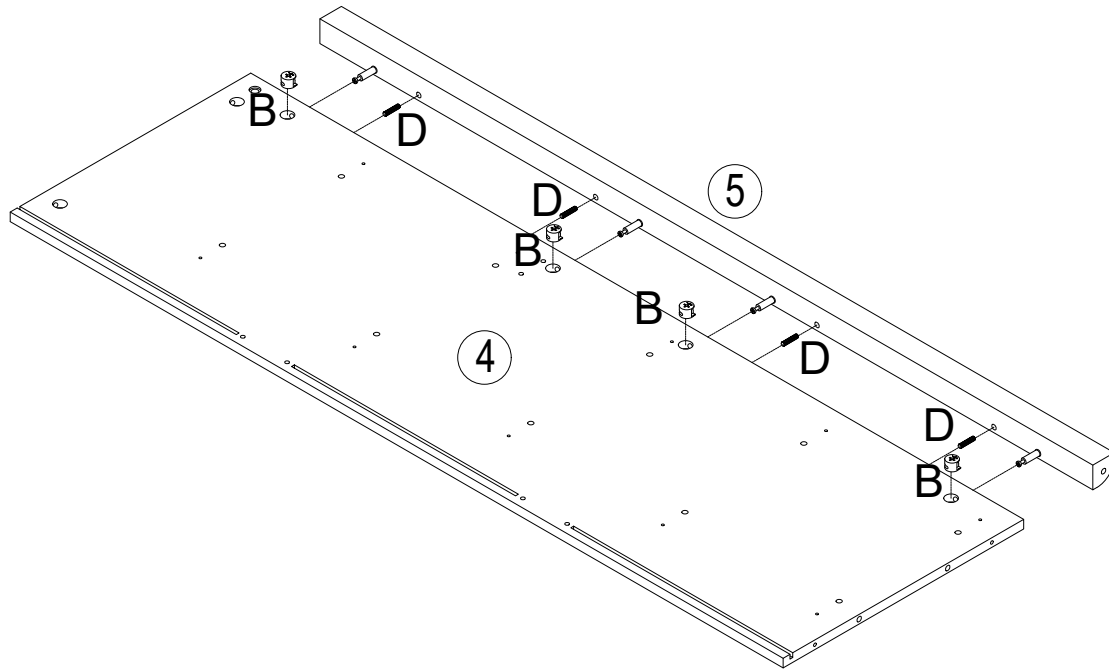
No. B  
Quantity: 4 PCS  
Cam  
ø15x9.5mm



No. D  
Quantity: 4 PCS  
Dowel  
ø6x30mm



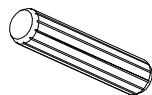
# STET 3



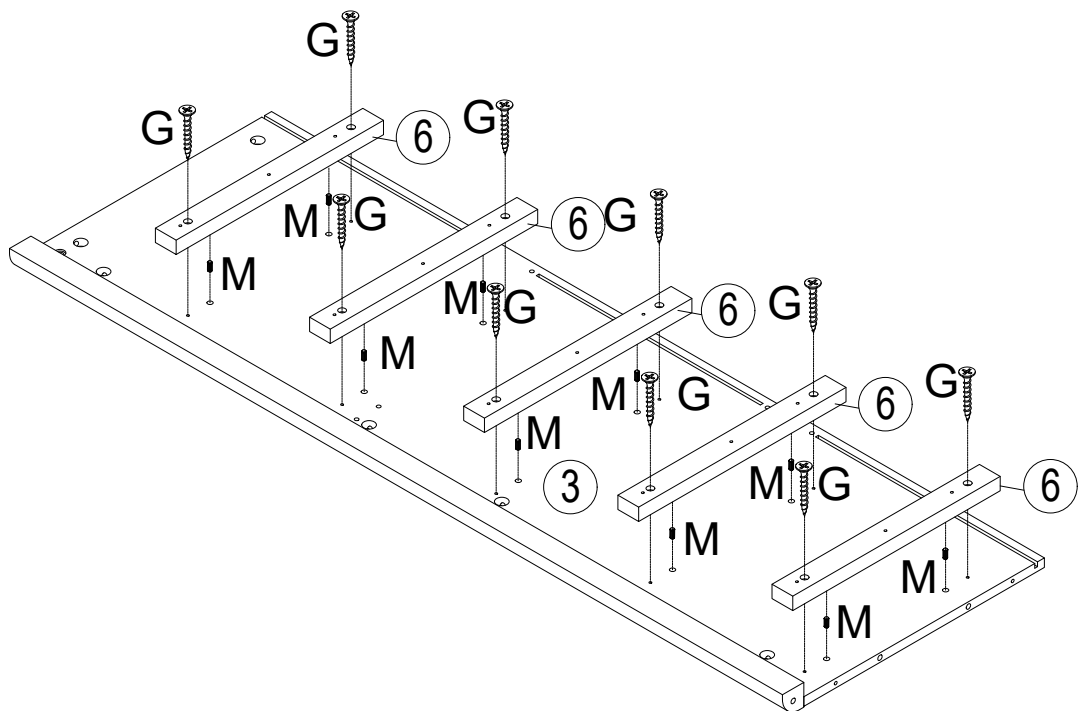
No. B  
Quantity: 4 PCS  
Cam  
ø15x9.5mm



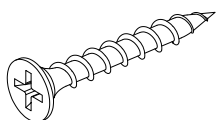
No. D  
Quantity: 4 PCS  
Dowel  
ø6x30mm



# STET 4



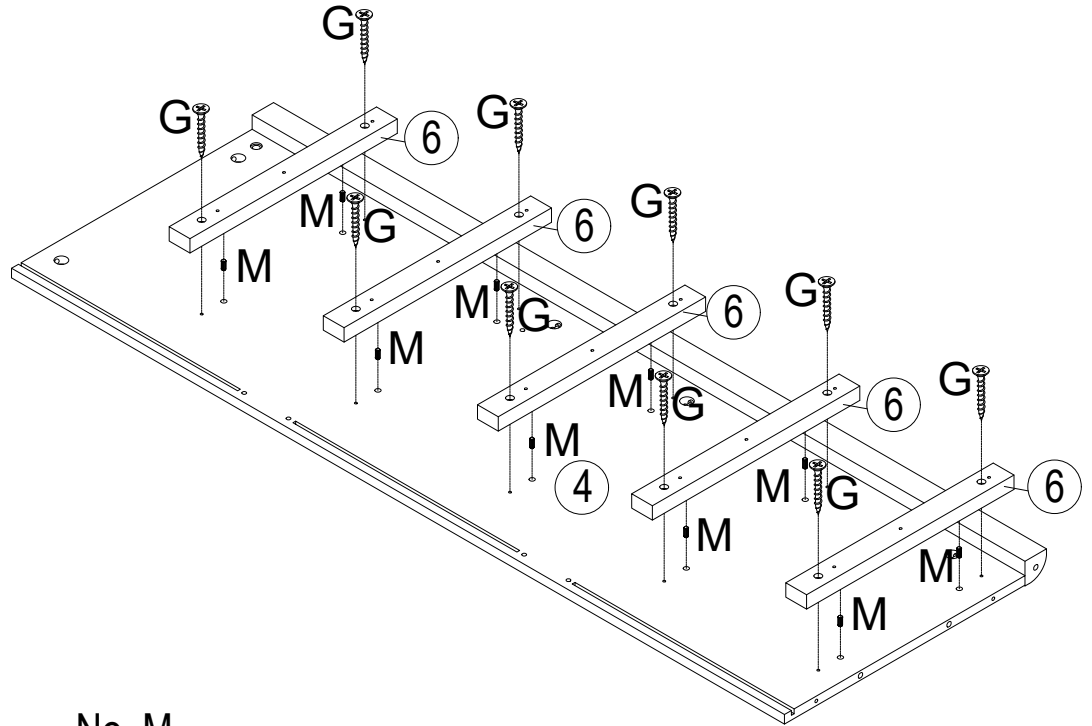
No. G  
Quantity: 10 PCS  
Screw  
ø4x25mm



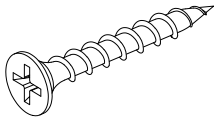
No. M  
Quantity: 10 PCS  
Dowel  
ø6x20mm



# STET 5



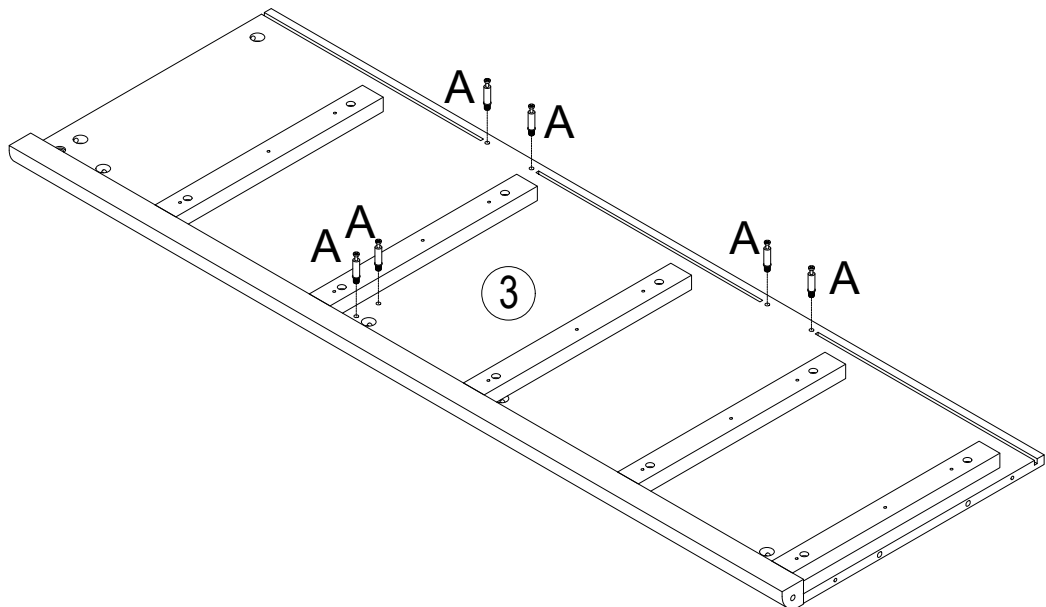
**No. G**  
Quantity: 10 PCS  
Screw  
ø4x25mm



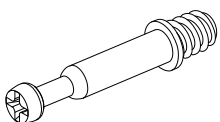
**No. M**  
Quantity: 10 PCS  
Dowel  
ø6x20mm



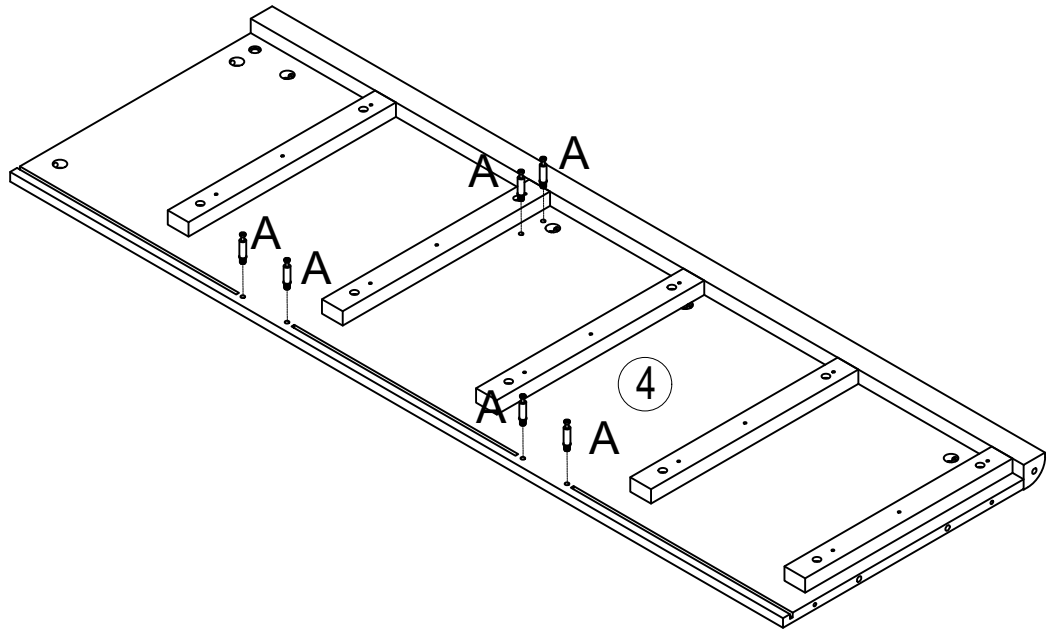
# STET 6



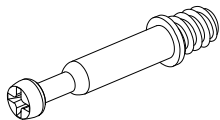
**No. A**  
Quantity: 6 PCS  
Cam Bolt  
ø6x33.5mm



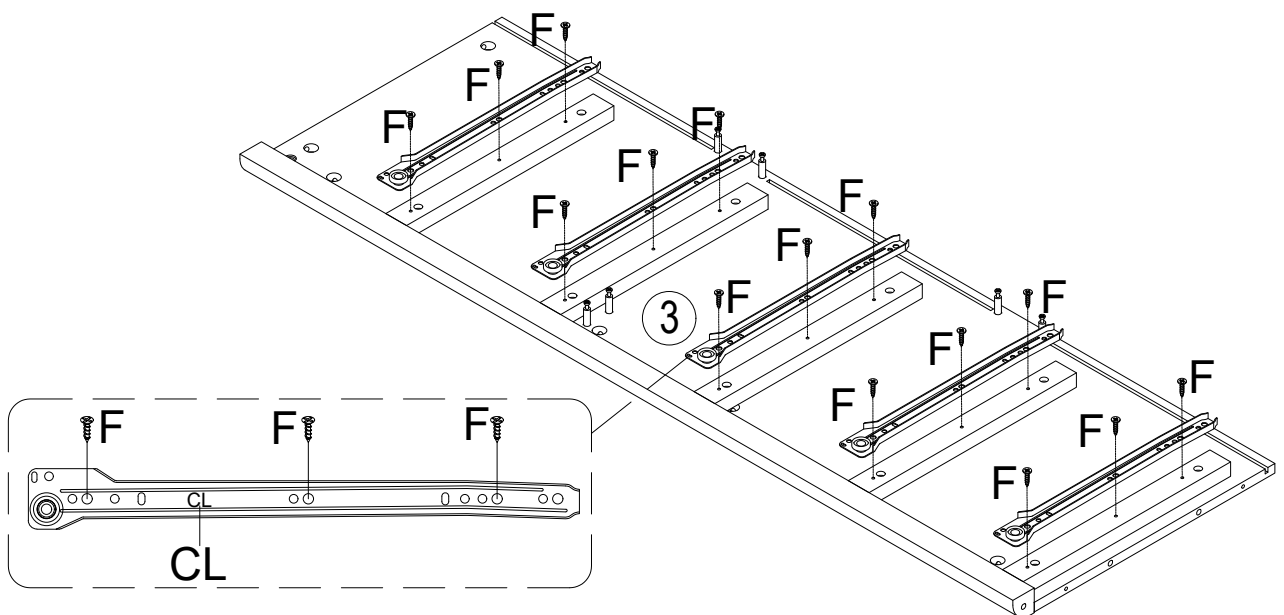
# STET 7



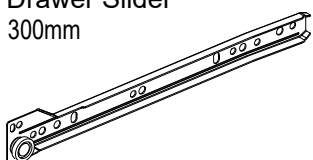
No. A  
Quantity: 6 PCS  
Cam Bolt  
ø6x33.5mm



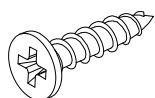
# STET 8



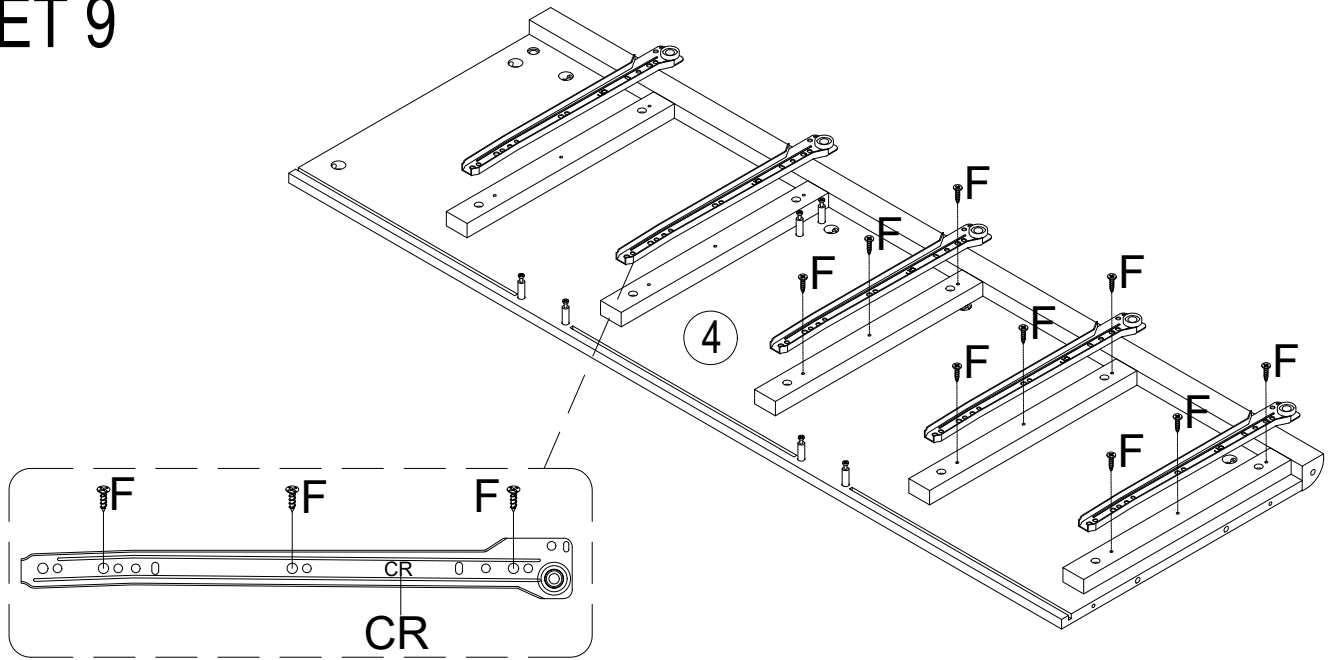
No. CL  
Quantity: 5 PCS  
Drawer Slider  
300mm



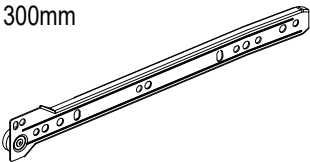
No. F  
Quantity: 15 PCS  
Screw  
ø3.5x12mm



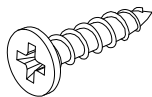
# STET 9



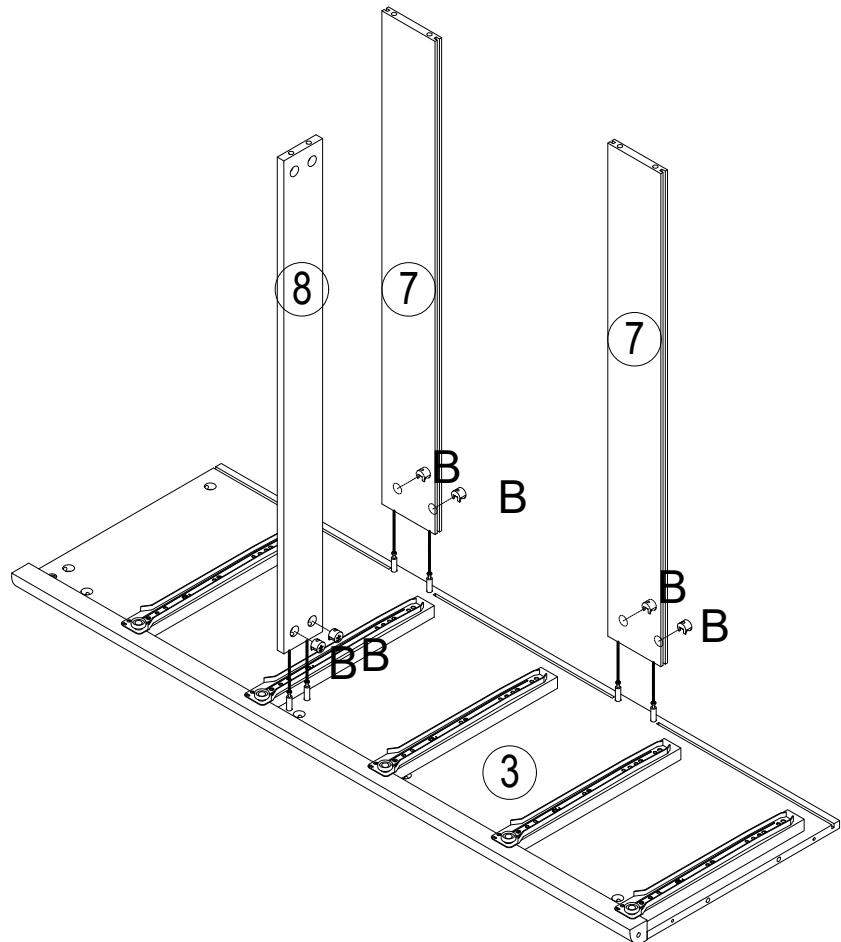
No. CR  
Quantity: 5 PCS  
Drawer Slider  
300mm



No. F  
Quantity: 15 PCS  
Screw  
ø3.5x12mm



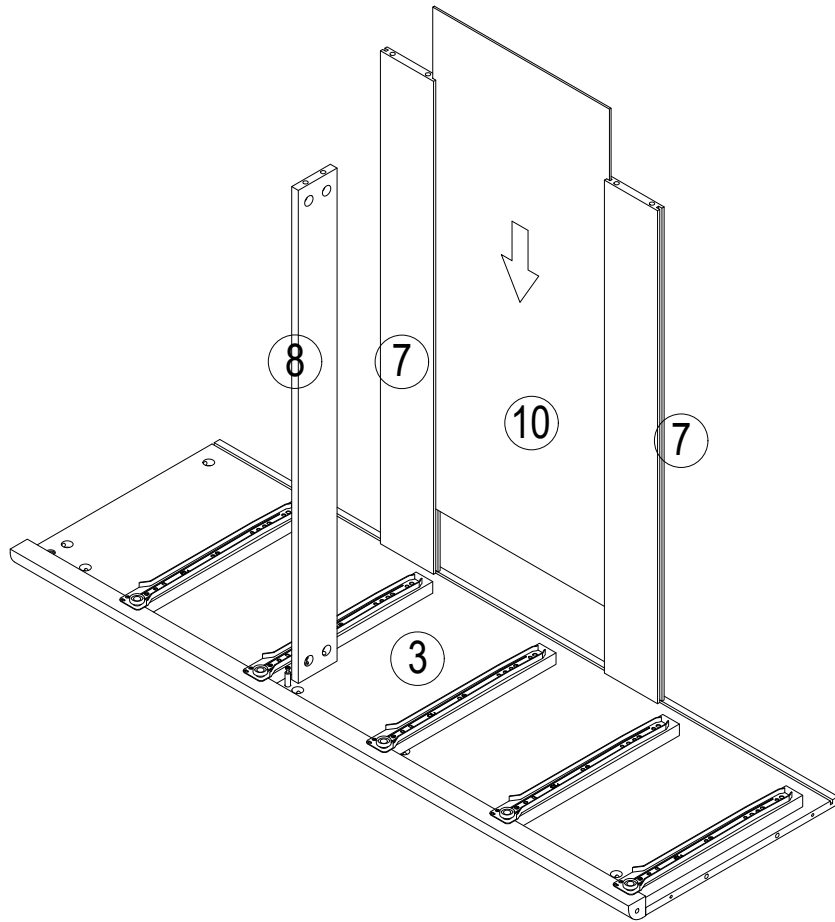
# STET 10



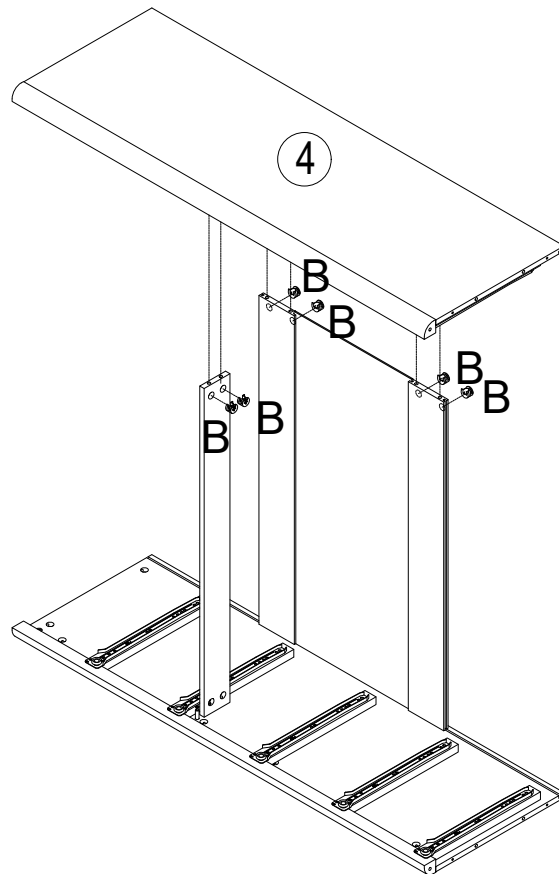
No. B  
Quantity: 6 PCS  
Cam  
ø15x9.5mm



# STET 11



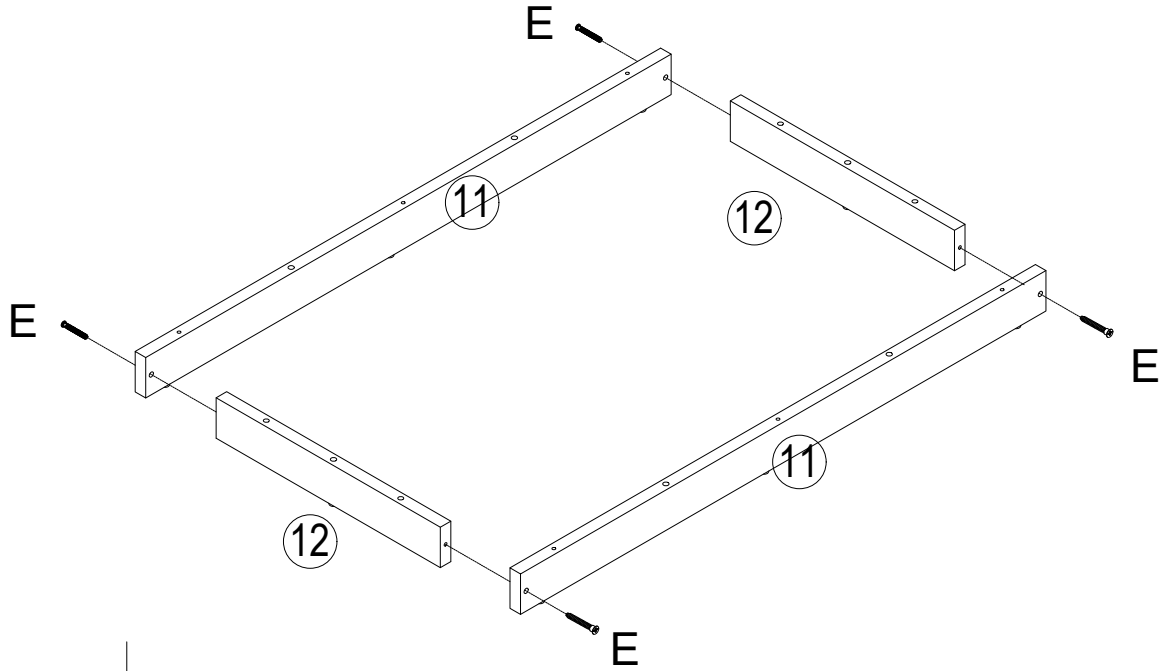
# STET 12



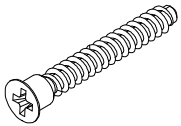
No. B  
Quantity: 6 PCS  
Cam  
ø15x9.5mm



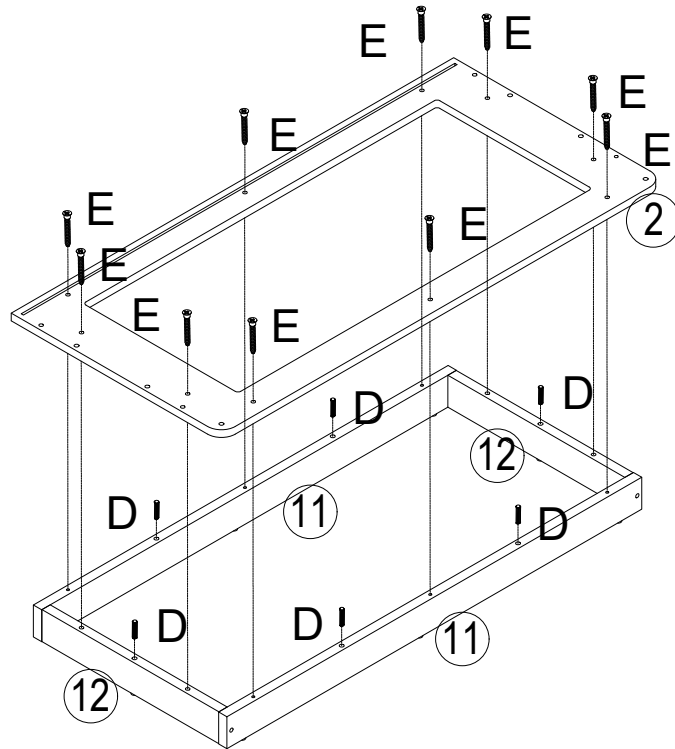
# STET 13



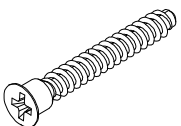
No. E  
Quantity: 4 PCS  
Screw  
ø5x48mm



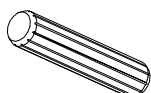
# STET 14



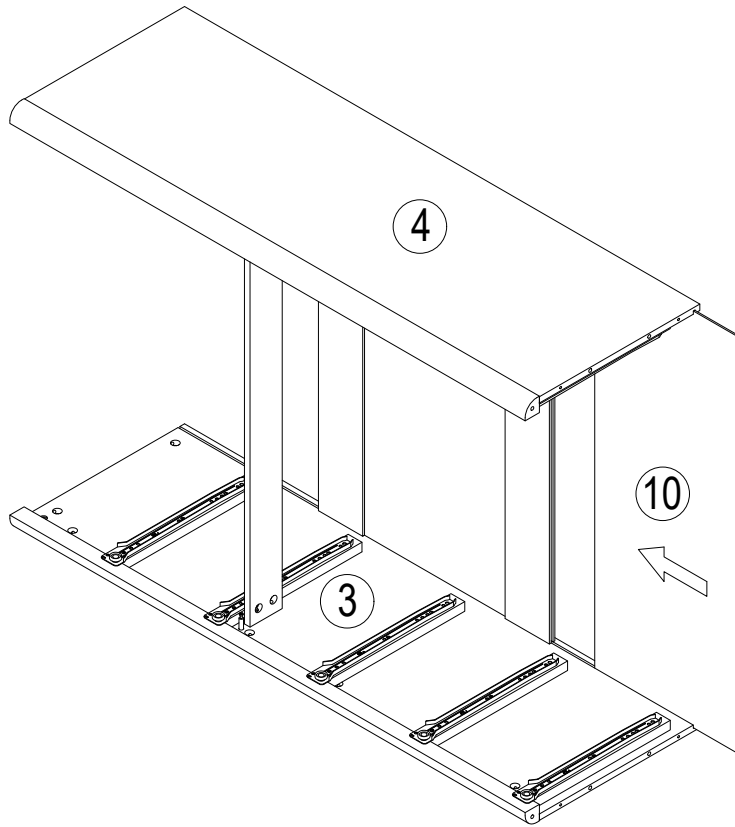
No. E  
Quantity: 10 PCS  
Screw  
ø5x48mm



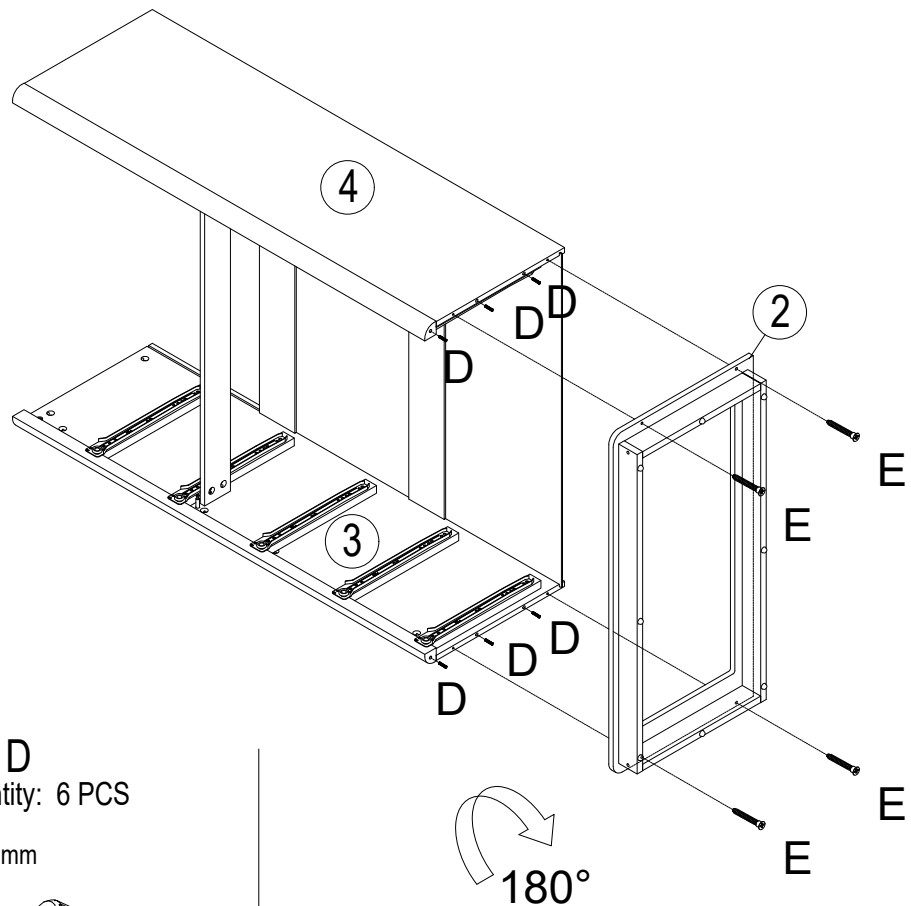
No. D  
Quantity: 6 PCS  
Dowel  
ø6x30mm



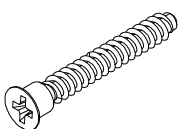
# STET 15



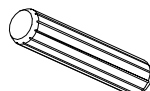
# STET 16



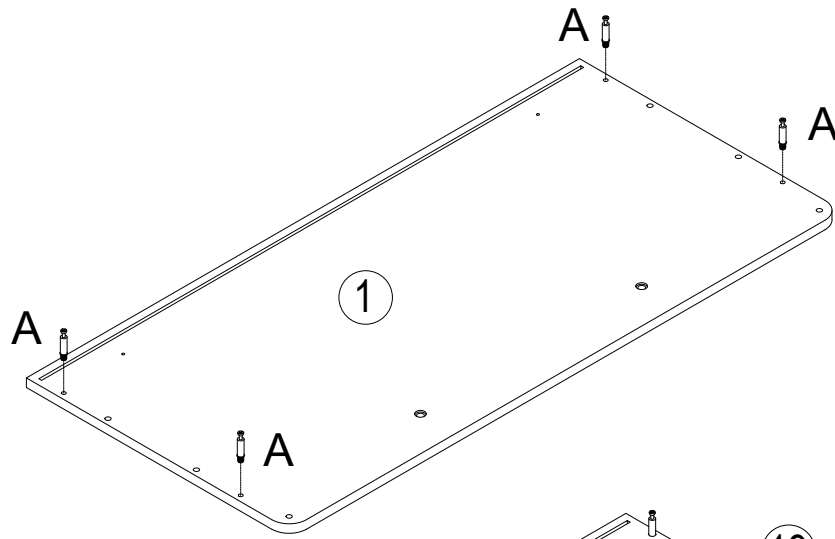
No. E  
Quantity: 4 PCS  
Screw  
ø5x48mm



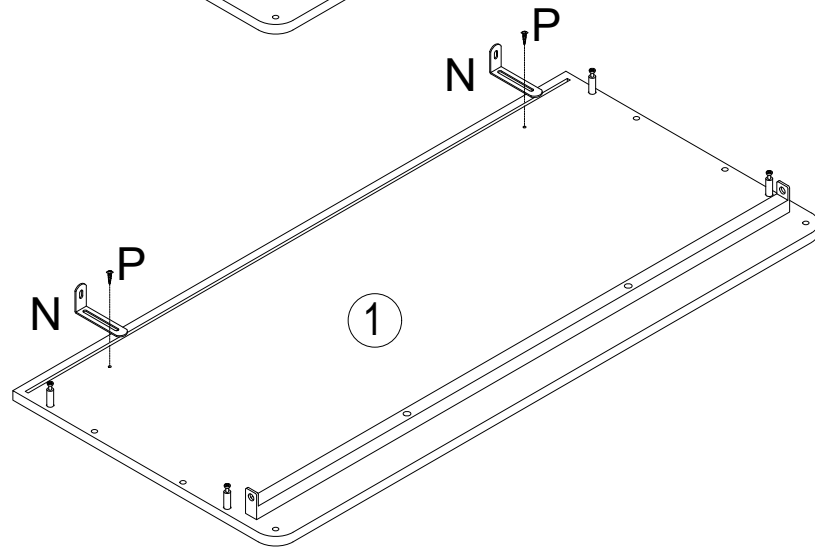
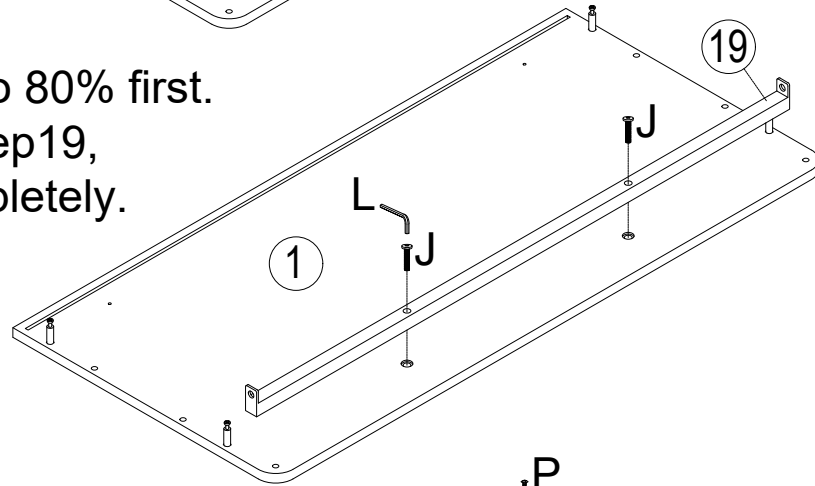
No. D  
Quantity: 6 PCS  
Dowel  
ø6x30mm



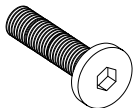
# STET 17



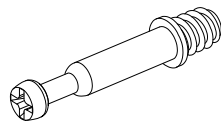
Tighten All bolt #J to 80% first.  
After completing Step19,  
tighten All bolt completely.



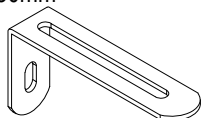
**No. J**  
Quantity: 2 PCS  
Bolt  
M6x25mm



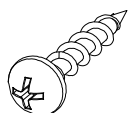
**No. A**  
Quantity: 4 PCS  
Cam Bolt  
ø6x33.5mm



**No. N**  
Quantity: 2 PCS  
L-Shaped anti tipping iron  
bar  
76x15x30mm



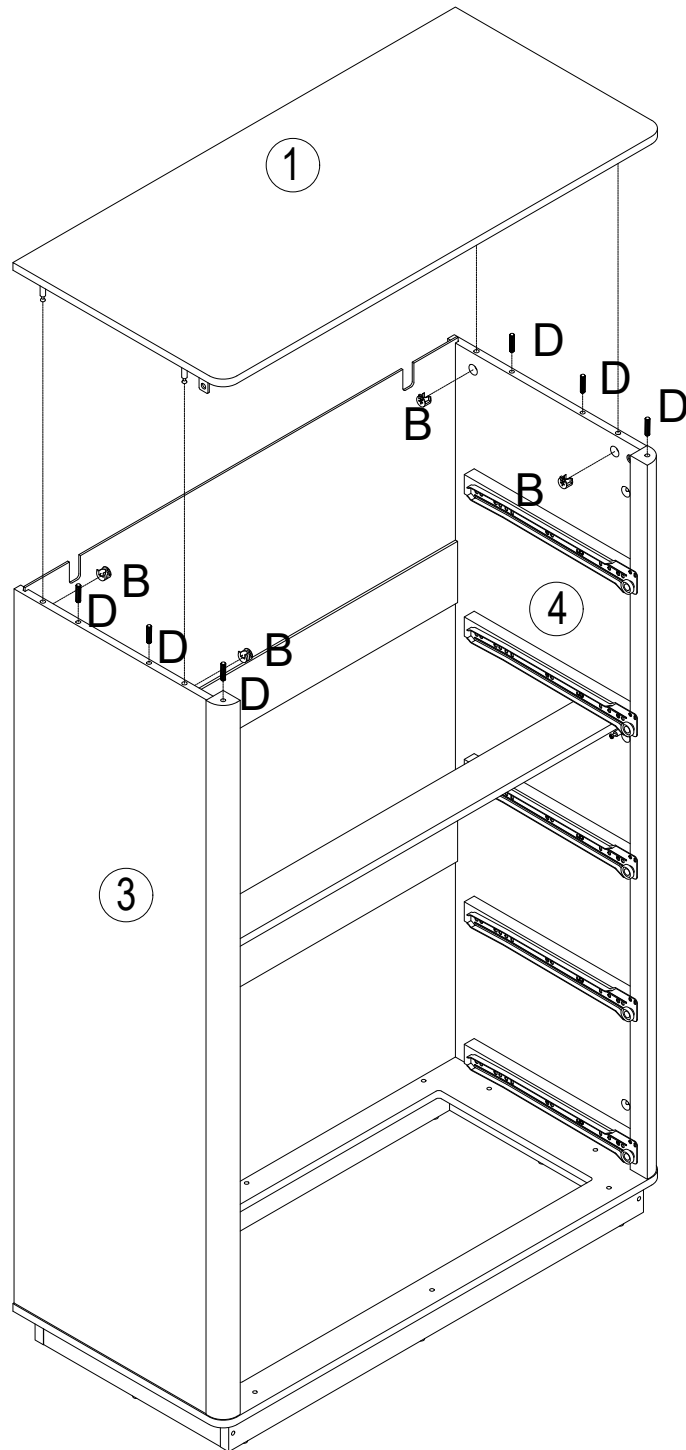
**No. P**  
Quantity: 2 PCS  
Screw  
ø4x12mm



**No. L**  
Quantity: 1 PCS  
Hex Key  
4mm



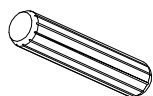
# STET 18



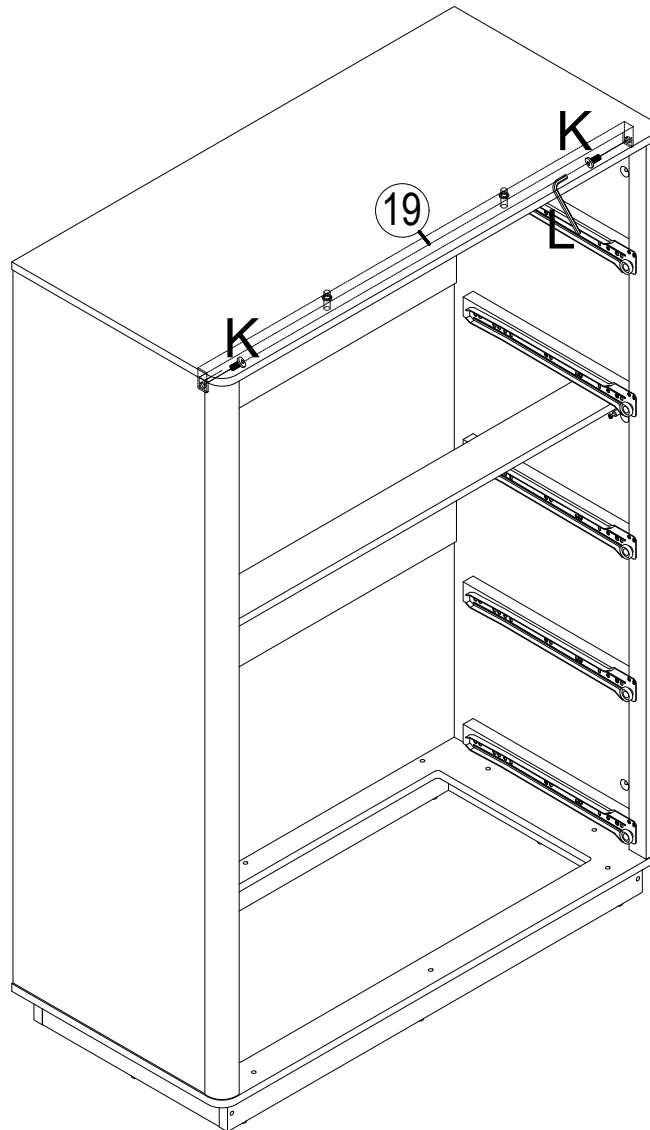
**No. B**  
Quantity: 4 PCS  
Cam  
ø15x9.5mm



**No. D**  
Quantity: 6 PCS  
Dowel  
ø6x30mm

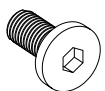


# STET 19



**NOTE:**  
Tighten all Bolt (J and K) In the #19

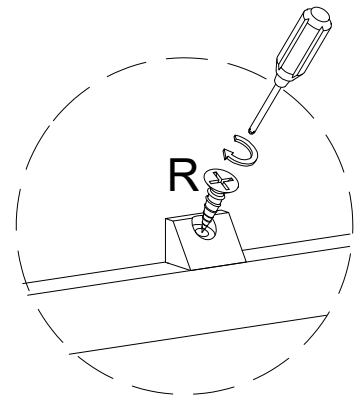
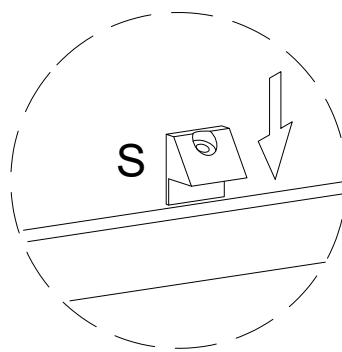
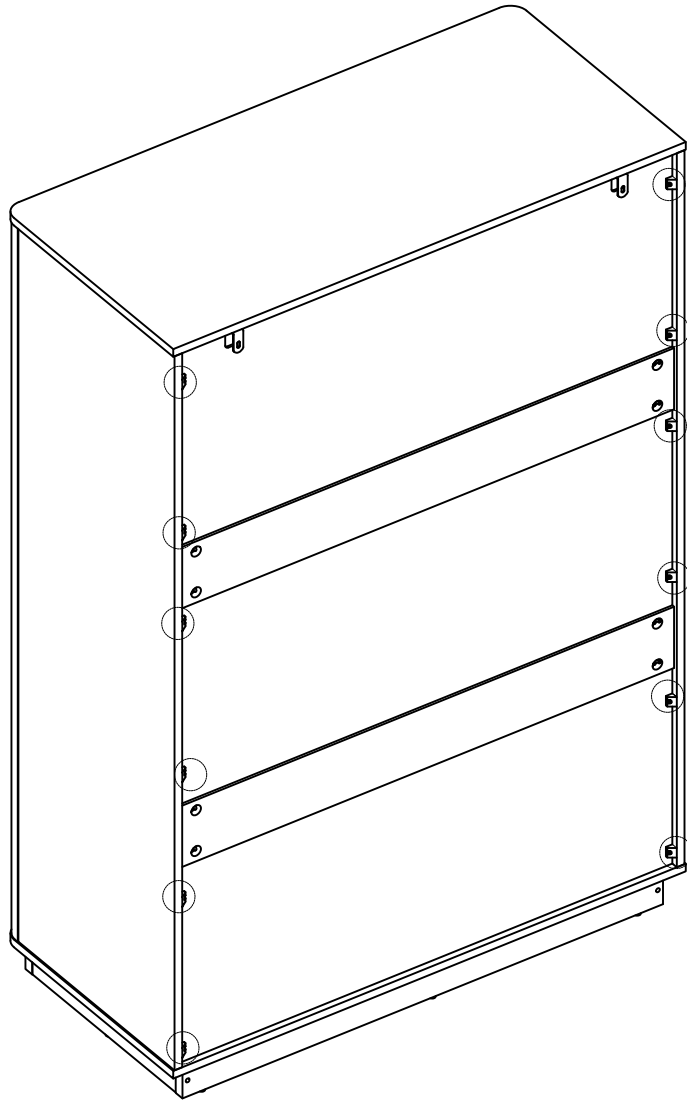
**No. K**  
Quantity: 2 PCS  
Bolt  
M6x12mm



**No. L**  
Quantity: 1 PCS  
Hex Key  
4mm

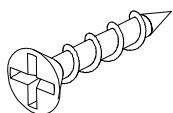


# STET 20



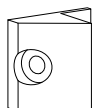
No. R

Quantity: 12 PCS  
Screw  
ø3x16mm

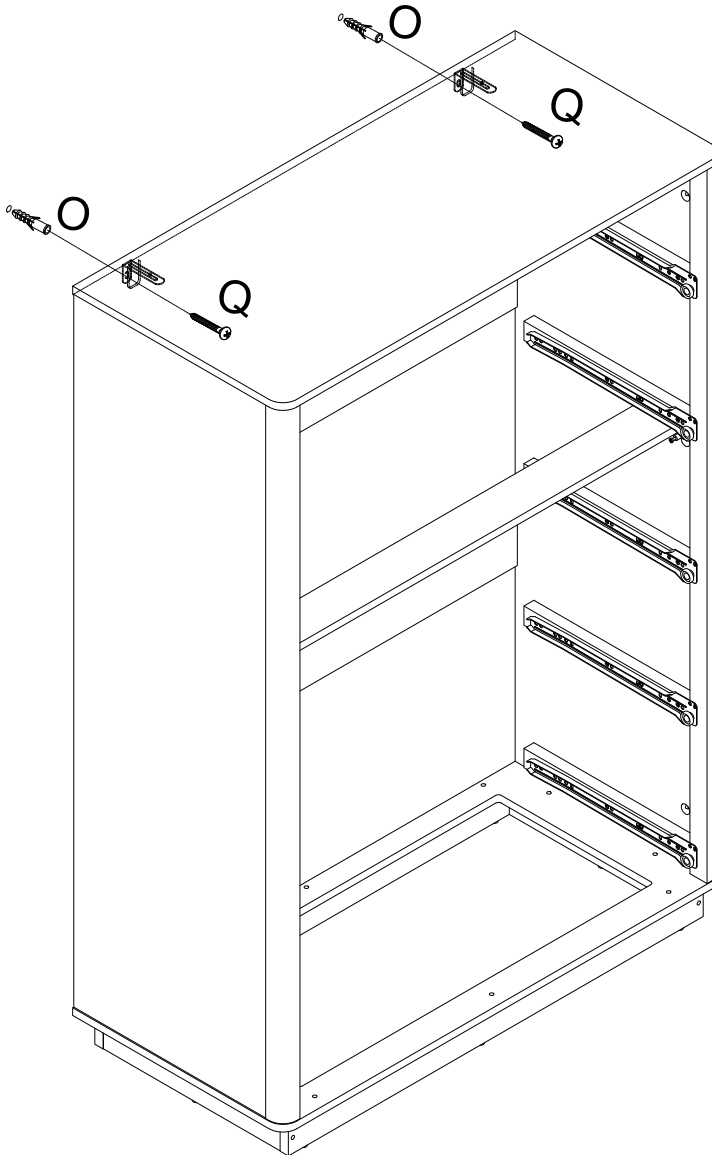
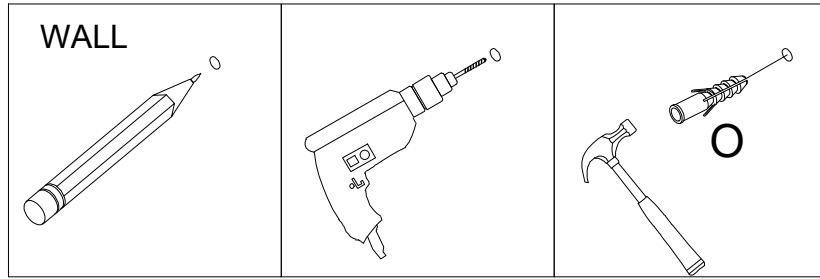


No. S

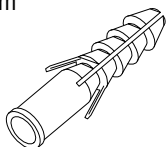
Quantity: 12 PCS  
Back Buckle  
15x15x10mm



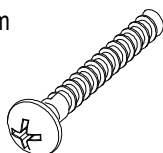
# STET 21



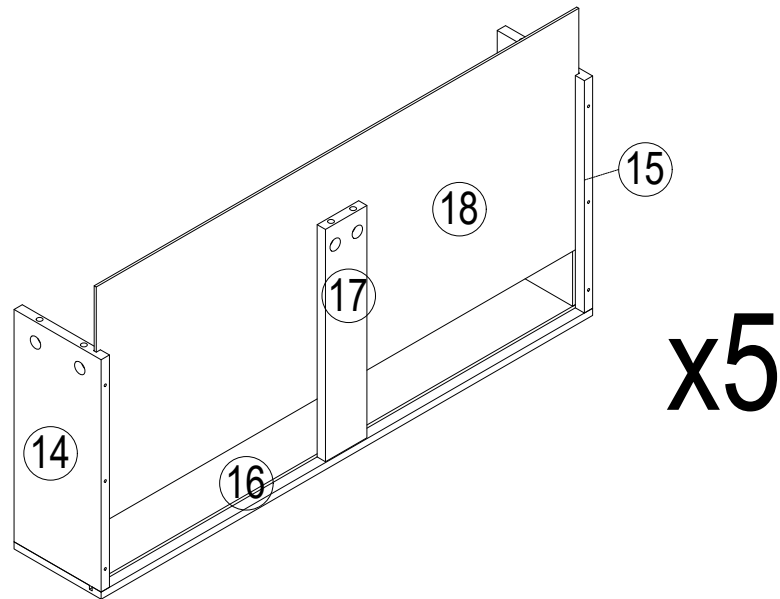
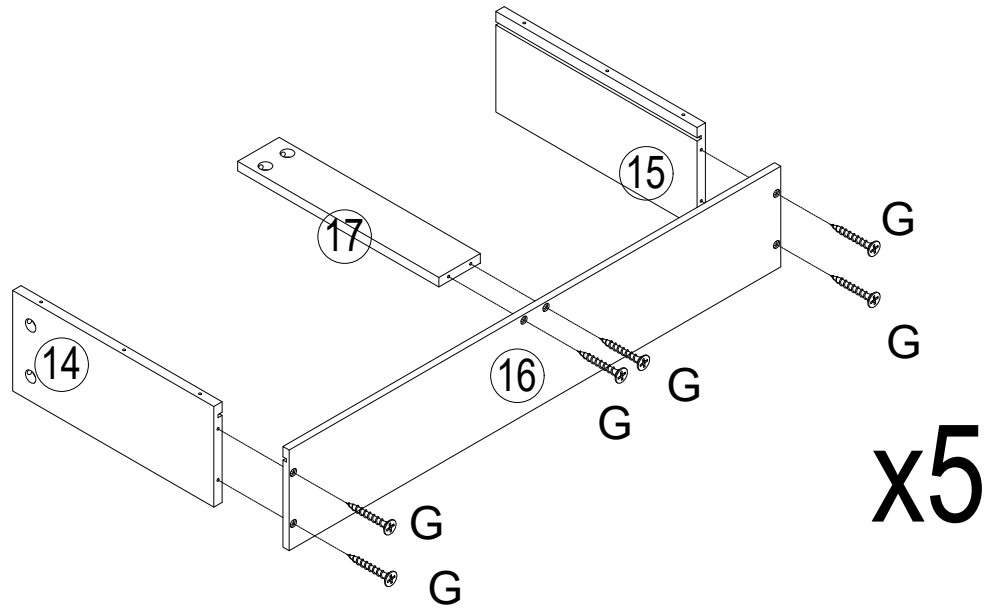
**No. O**  
Quantity: 2 PCS  
Plastic Expansion  
ø8x40mm



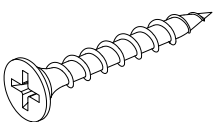
**No. Q**  
Quantity: 2 PCS  
Screw  
ø4x38mm



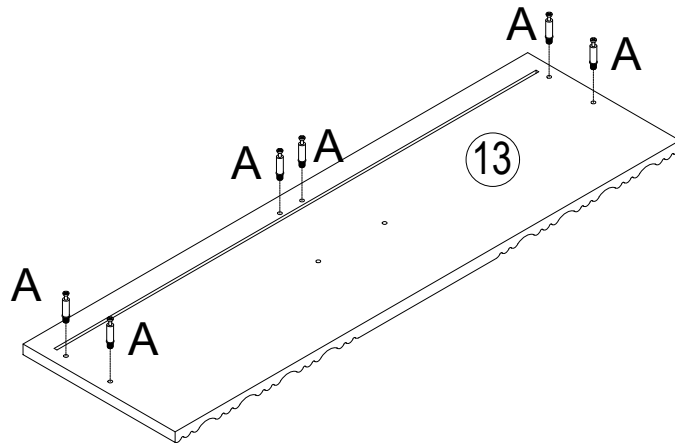
# STET 22



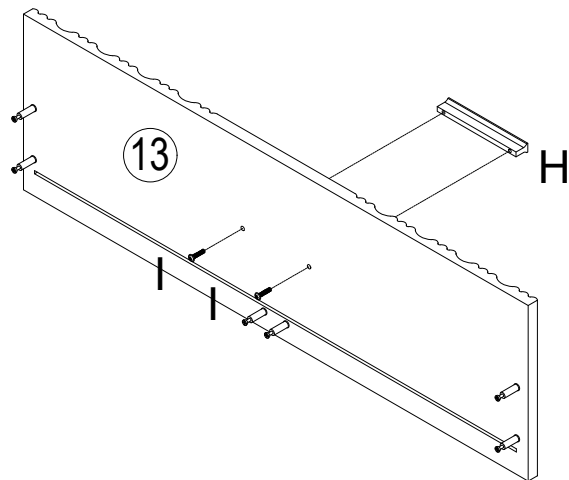
No. G  
Quantity: 30 PCS  
Screw  
ø4x25mm



# STET 23



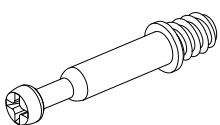
x5



x5

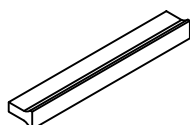
## No. A

Quantity: 30 PCS  
Cam Bolt  
ø6x33.5mm



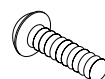
## No. H

Quantity: 5 PCS  
Handle  
114x17x11mm

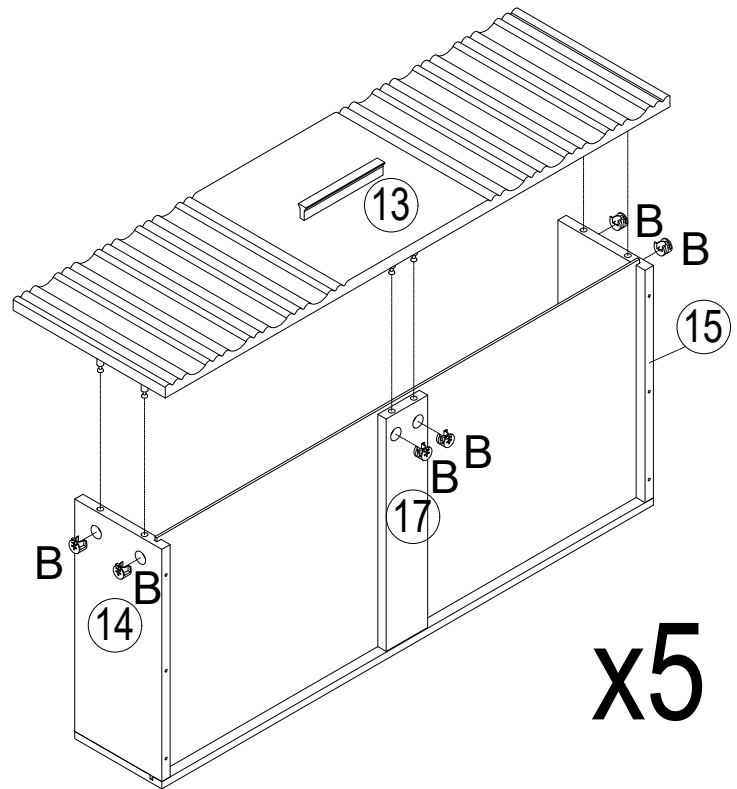


## No. I

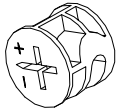
Quantity: 20+2 PCS  
Screw  
M4x20mm



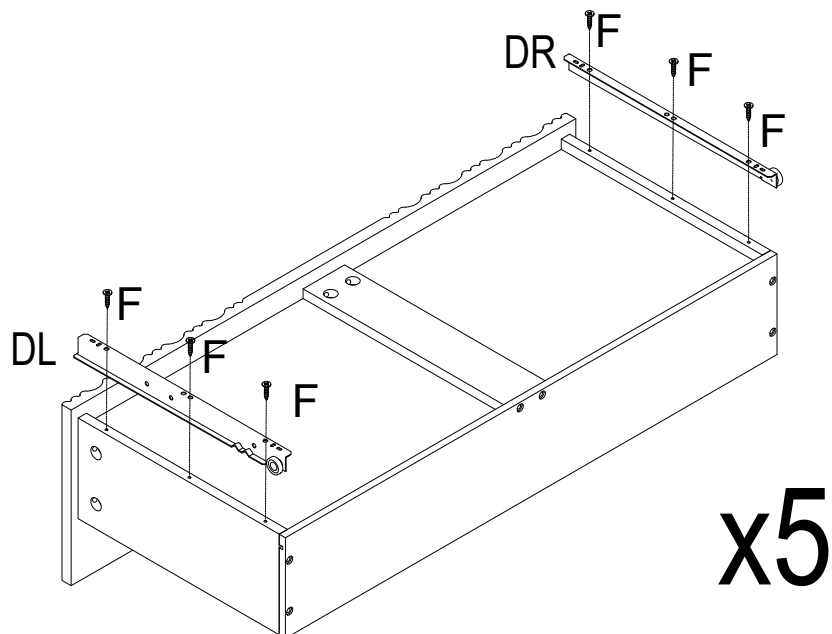
# STET 24



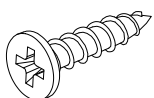
No. B  
Quantity: 30 PCS  
Cam  
ø15x9.5mm



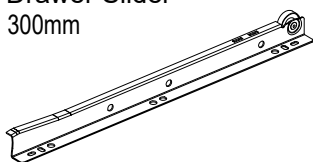
# STET 25



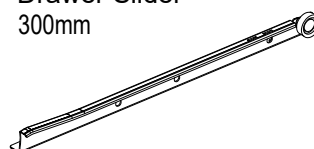
No. F  
Quantity: 30 PCS  
Screw  
ø3.5x12mm



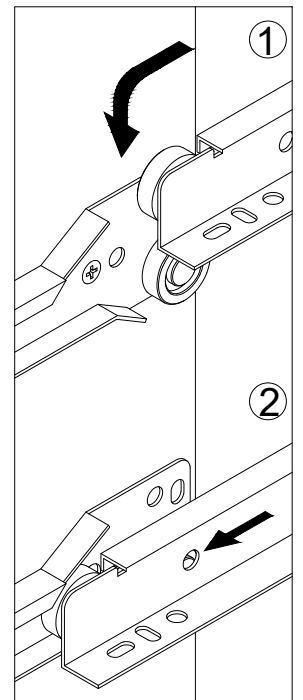
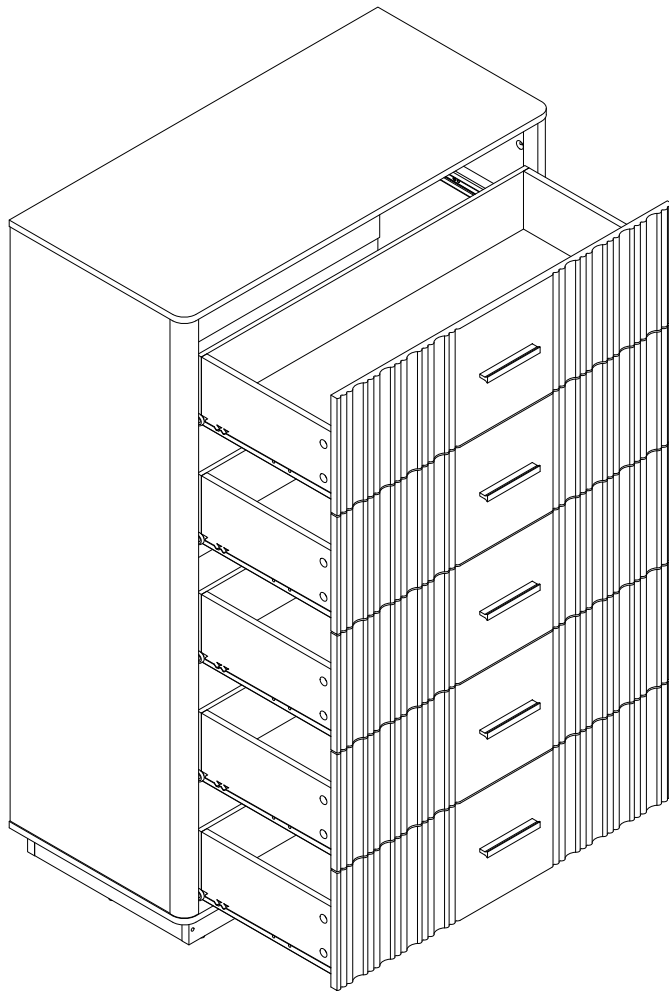
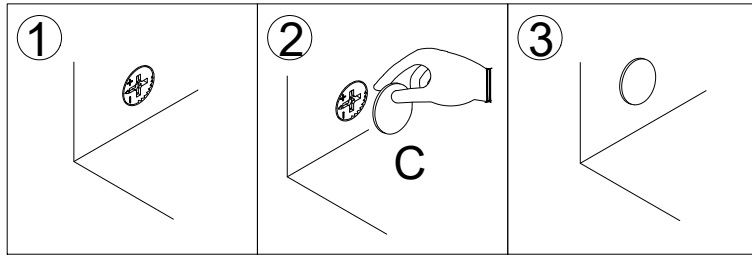
No. DL  
Quantity: 5 PCS  
Drawer Slider  
300mm



No. DR  
Quantity: 5 PCS  
Drawer Slider  
300mm



# STET 26



No. C  
Quantity: 54 PCS  
Sticker  
ø20mm

