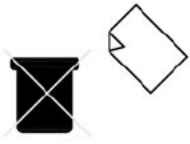


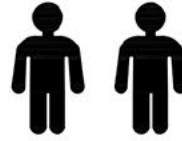
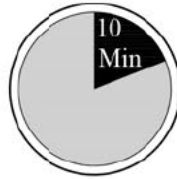
# HINTS & TIPS



# Assembly Instruction

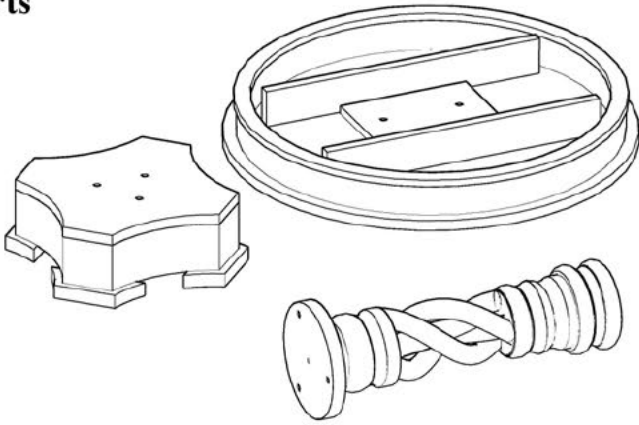





Please retain this assembly instruction for future use.



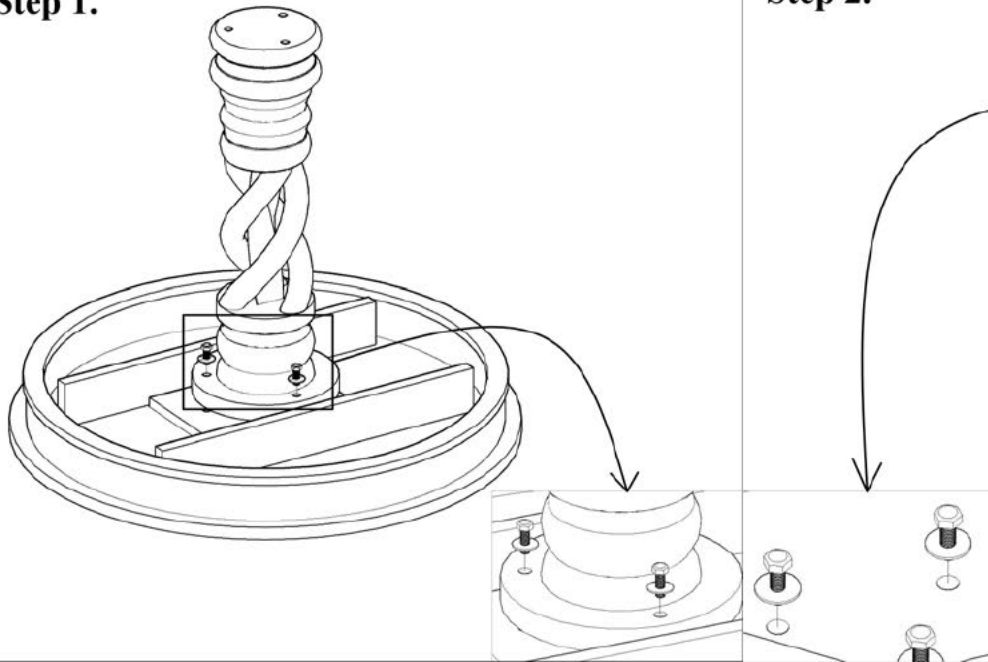
This assembly requires two people

## Parts

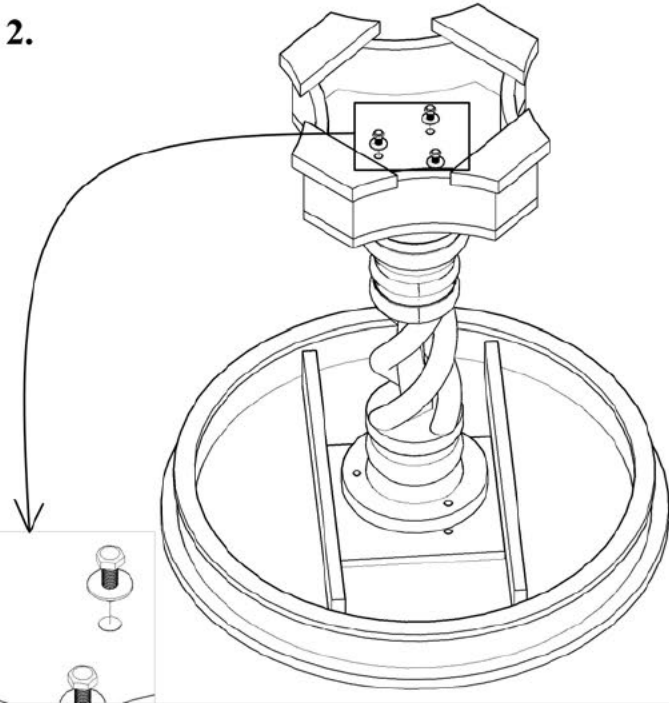


No.	Description	Qty
1	 Bolt	06
2	 Flat Washer	06
3	 Allen Key	1

## Step 1.



## Step 2.



## Finish.

