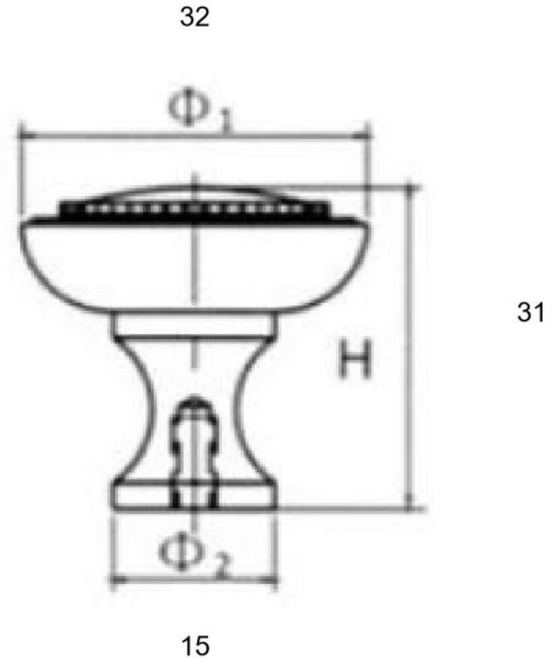


Regal Knob 10-Pack  
Brushed Nickel



**SPECIFICATIONS**

MATERIAL CONSTRUCTION:	Zinc
MOUNTING HARDWARE INCLUDED:	Yes
TOOLS NEEDED FOR INSTALLATION:	Screwdriver
ASSEMBLED DIMENSIONS:	1.22" H x 1.26" L
CENTER TO CENTER:	N/A
LEVER/PULL LENGTH:	N/A
PROJECTION:	1.22"
KNOB DIAMETER:	1.26"
ASSEMBLED WEIGHT:	1 lbs.

WARRANTY: 1-Year limited warranty  
 LEGAL FOR SALE IN CALIFORNIA: Yes



TYPE:  
 JOB:  
 ORDER CODE:  
 APPROVALS: