


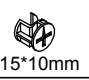


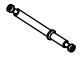















USER'S MANUAL

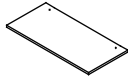

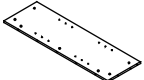
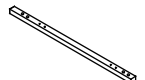

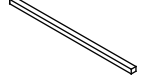


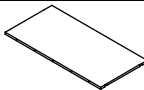
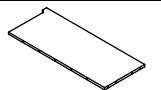

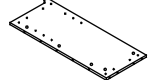
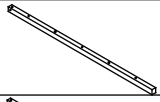
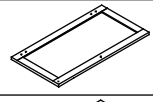
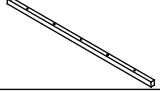
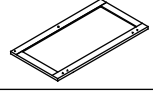
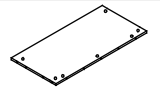
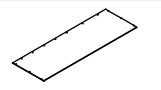
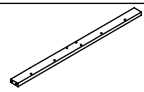
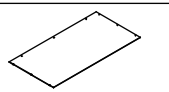

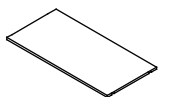
Bookcase

PRODUCT ASSEMBLY

Hardware List

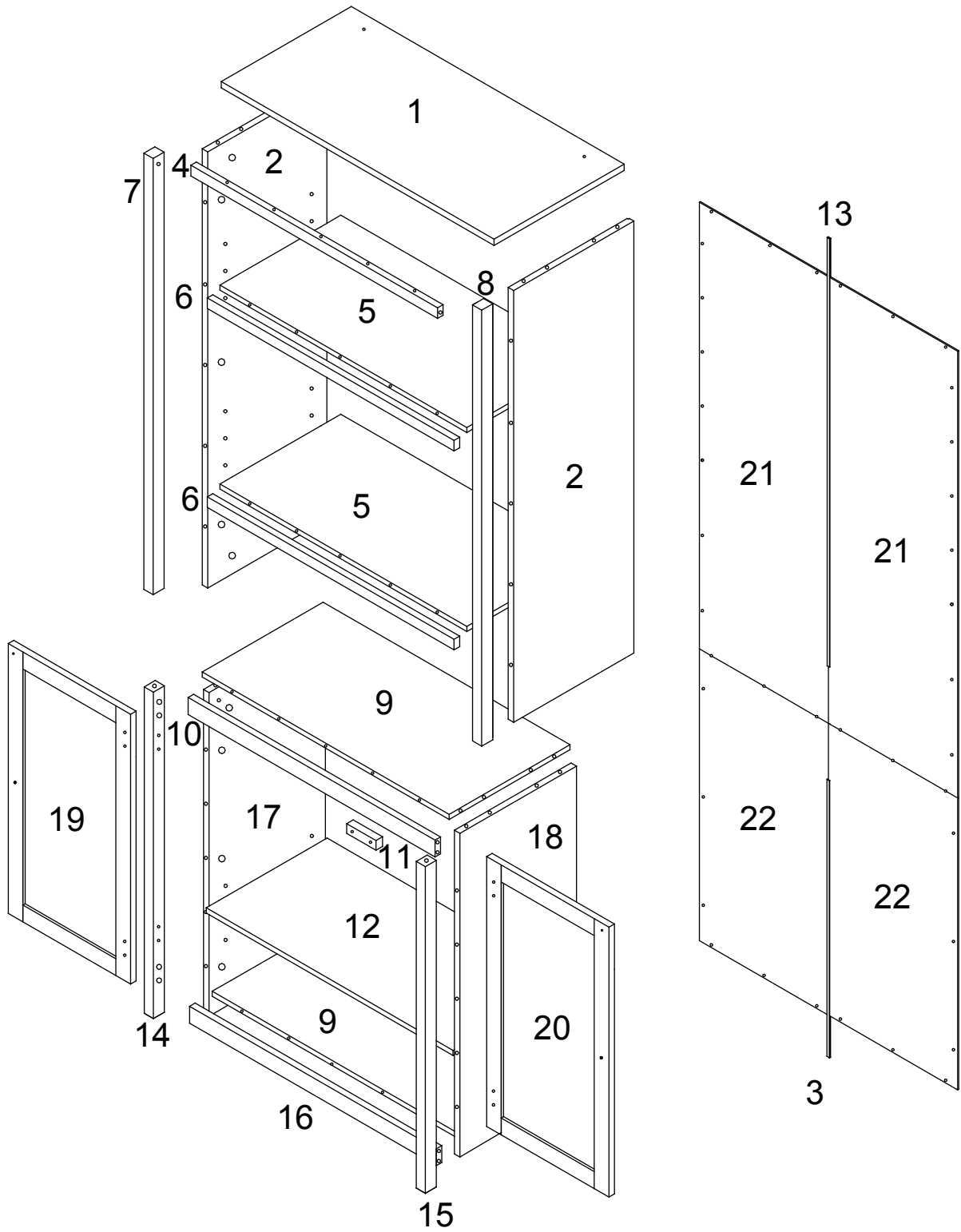
A	 6*35mm	38 pcs	H		1 pc	O	 4*30mm	3 pcs
B	 15*10mm	46 pcs	I		2 pcs	P		2 pcs
C		4 pcs	J	 4*16mm	2 pcs	Q		2 pcs
D	 8*30mm	44 pcs	K		2 pcs	R	 3.5*12mm	2 pcs
E		4 pcs	L		12 pcs	S	 2.5*12mm	38 pcs
F	 3*14mm	2 pcs	M	 3.5*40mm	2 pcs	T		38 pcs
G	 3*12mm	18 pcs	N	 4*25mm	2 pcs			

Parts List

1	Top Panel		1 pc	13	Upper Back Connect Bar		1 pc
2	Upper Side Panel		2 pcs	14	Left Lower Deco Rail		1 pc
3	Lower Back Connect Bar		1 pc	15	Right Lower Deco Rail		1 pc
4	Top Connect Bar		1 pc	16	Front Deco Rail for Middle and Bottom Shelf		1 pc
5	Upper Adjustable Shelf		2 pcs	17	Lower Left Side Panel		1 pc
6	Front Deco Rail for Upper Shelf		2 pcs	18	Lower Right Side Panel		1 pc
7	Left Upper Deco Rail		1 pc	19	Left Door		1 pc
8	Right Upper Deco Rail		1 pc	20	Right Door		1 pc
9	Middle and Bottom Shelf		2 pcs	21	Upper Back Panel		2 pcs
10	Front Deco Rail for Middle Shelf		1 pc	22	Lower Back Panel		2 pcs
11	Magnetic Catch Block		1 pc				
12	Lower Shelf		1 pc				

PRODUCT ASSEMBLY

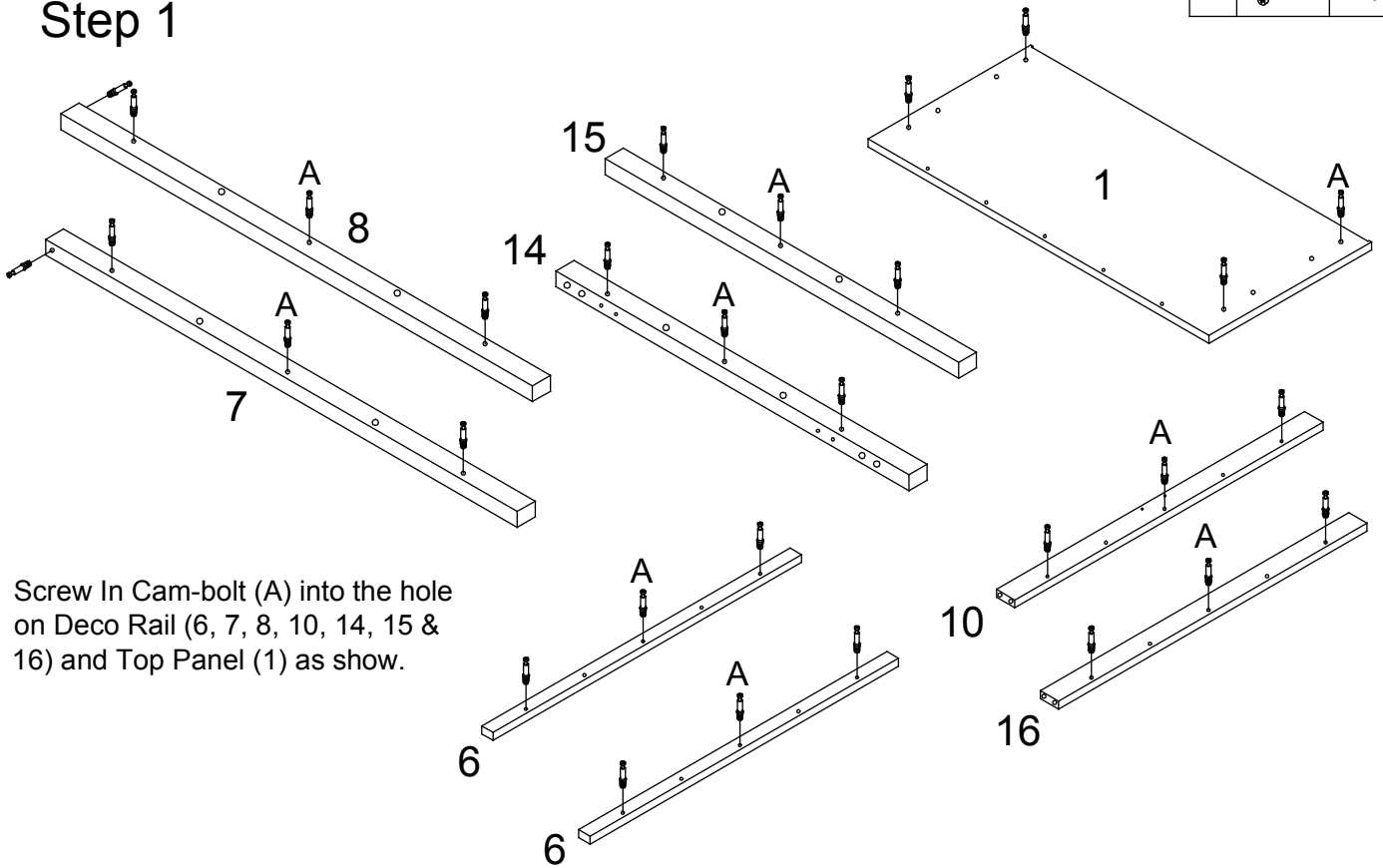
Part List Assembly Overview



PRODUCT ASSEMBLY

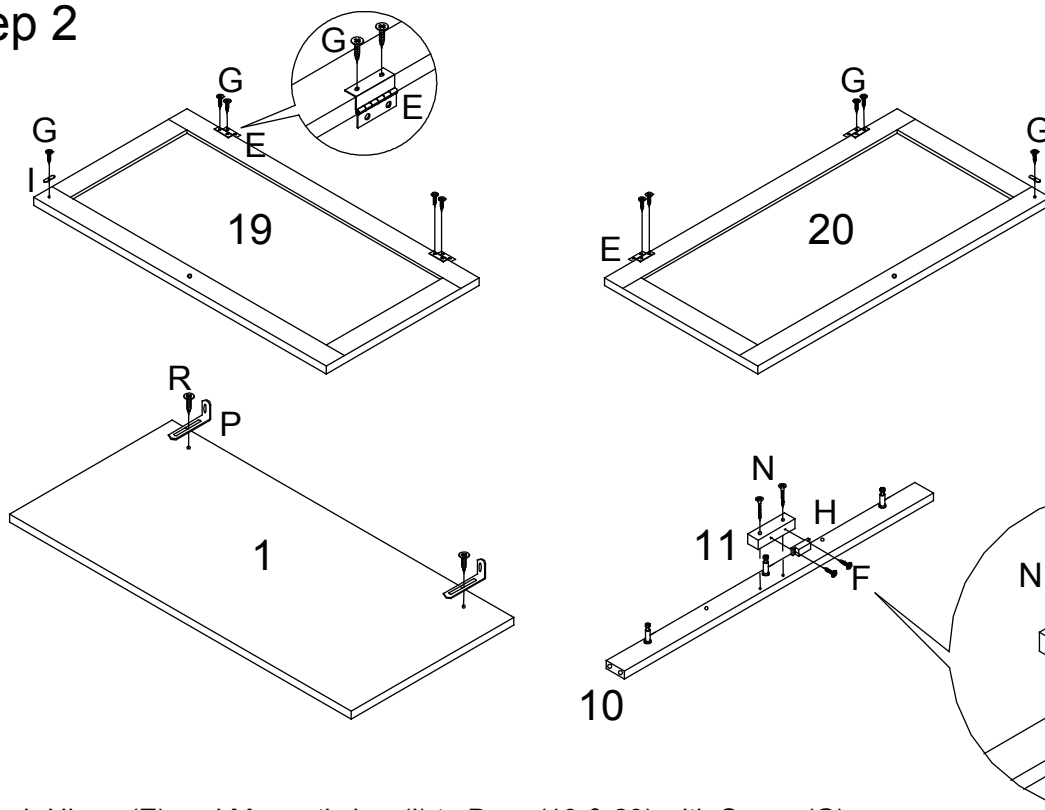
Step 1









A  30 pcs



Screw In Cam-bolt (A) into the hole on Deco Rail (6, 7, 8, 10, 14, 15 & 16) and Top Panel (1) as show.

Step 2






E		4 pcs
F		2 pcs
G		10 pcs
H		1 pc
I		2 pcs
N		2 pcs
P		2 pcs
R		2 pcs

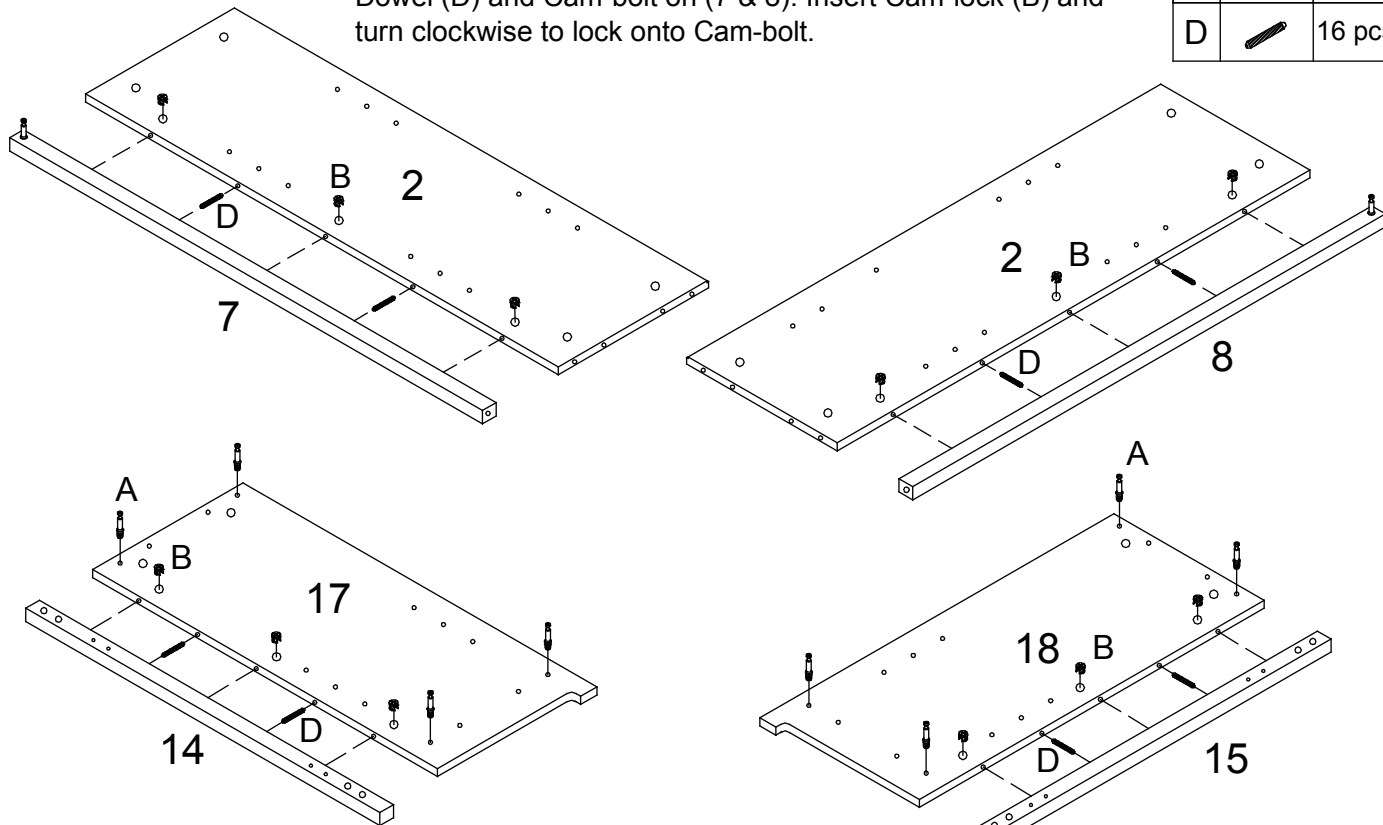
- 1) Attach Hinge (E) and Magnetic bar (I) to Door (19 & 20) with Screw (G).
- 2) Attach Bracket (P) to Top Panel (1) with Screw (R).
- 3) Attach Magnetic Catch Block (11) to Front Deco Rail for Middle Shelf (10) with Screw (N) as shown.
- 4) Attach Magnetic Catch (H) to (11) with Screw (F) as shown.

PRODUCT ASSEMBLY

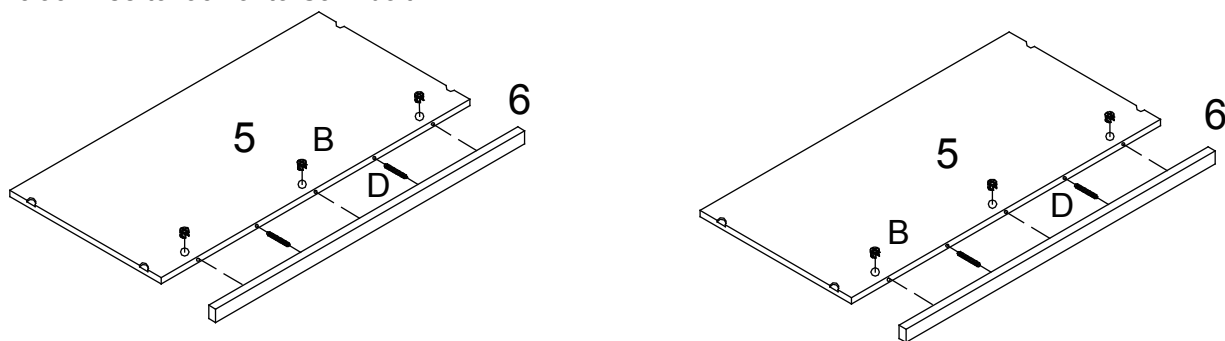
Step 3

1) Attach Deco Rail (7 & 8) to Upper Side Panel (2) with Wood Dowel (D) and Cam-bolt on (7 & 8). Insert Cam-lock (B) and turn clockwise to lock onto Cam-bolt.

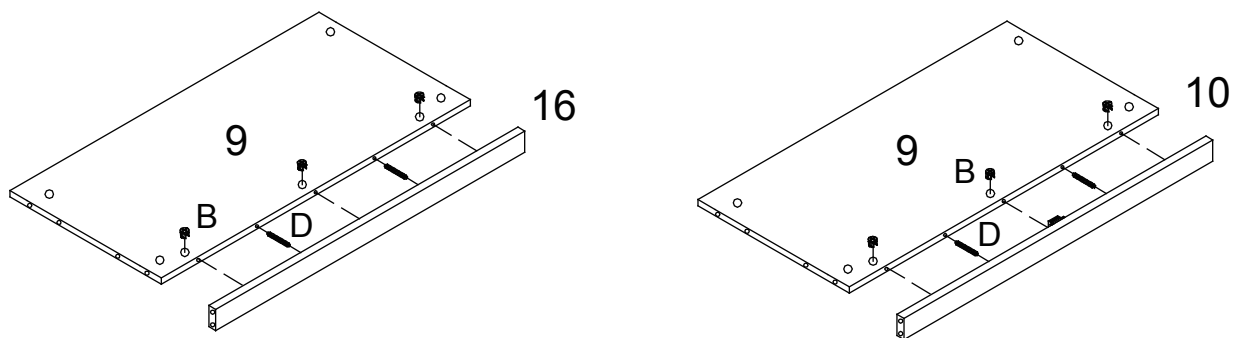
A		8 pcs
B		24 pcs
D		16 pcs



2) Attach Deco Rail (14 & 15) to Lower Side Panel (17 & 18) with Wood Dowel (D) and Cam-bolt on (14 & 15). Insert Cam-lock (B) and turn clockwise to lock onto Cam-bolt.





3) Attach Deco Rail (6) to Upper Adjustable Shelf (5) with Wood Dowel (D) and Cam-bolt on (6). Insert Cam-lock (B) and turn clockwise to lock onto Cam-bolt.

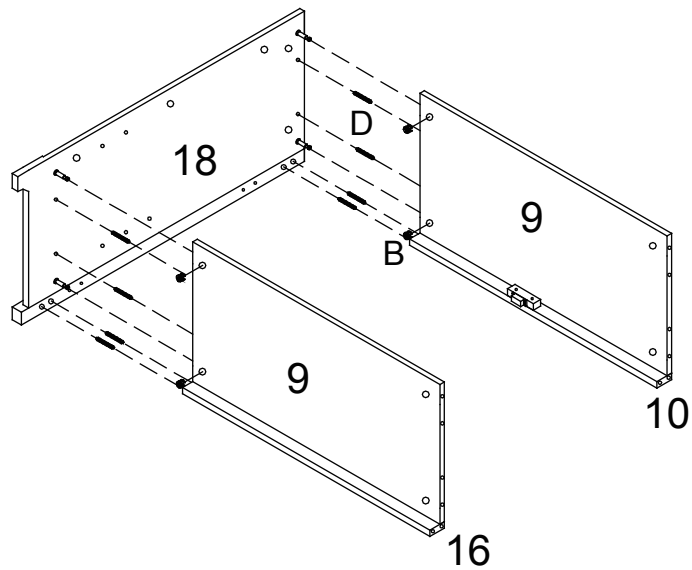


4) Attach Deco Rail (10 & 16) to Middle and Bottom Shelf (9) with Wood Dowel (D) and Cam-bolt on (10 & 16). Insert Cam-lock and turn clockwise to lock onto Cam-bolt.

PRODUCT ASSEMBLY



Step 4

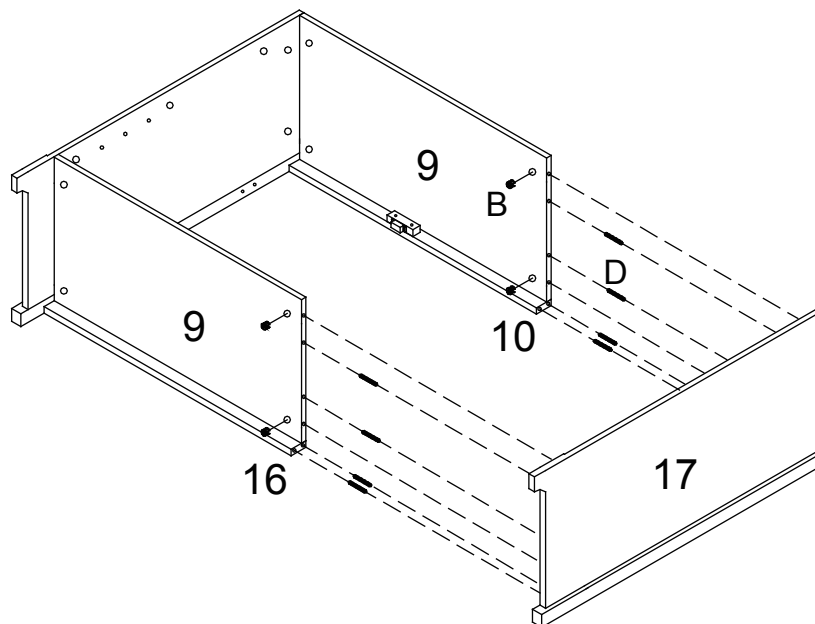
B		4 pcs
D		8 pcs



- 1) Insert Wood Dowel (D) into the holes on Shelf (9) and Deco Rail (10 & 16).
- 2) Attach Shelf (9) to Lower Right Side Panel (18).
- 3) Insert Cam-lock (B) to the holes on (9) and turn clockwise to lock onto Cam-bolt.

Step 5




B		4 pcs
D		8 pcs

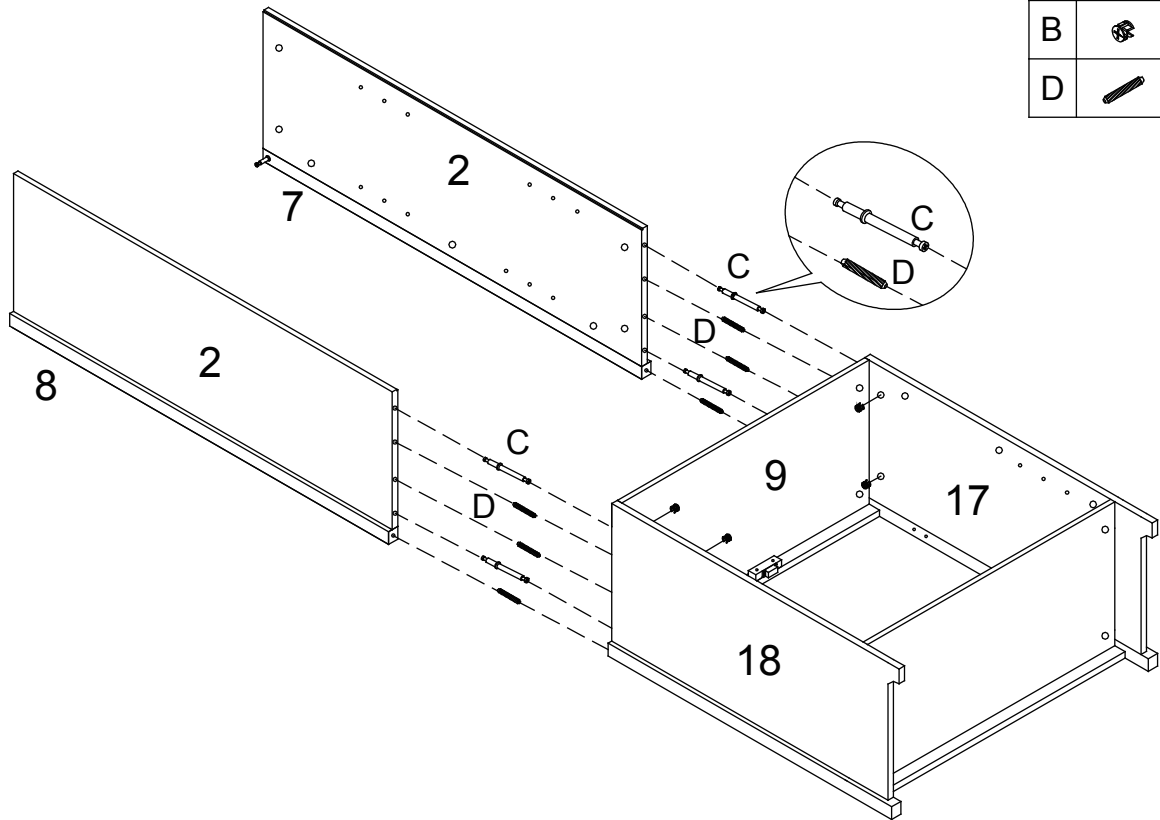


- 1) Insert Wood Dowel (D) into the holes on Shelf (9) and Deco Rail (10 & 16).
- 2) Attach Lower Left Side Panel (17).
- 3) Insert Cam-lock (B) to the holes on (9) and turn clockwise to lock onto Cam-bolt.

PRODUCT ASSEMBLY

Step 6

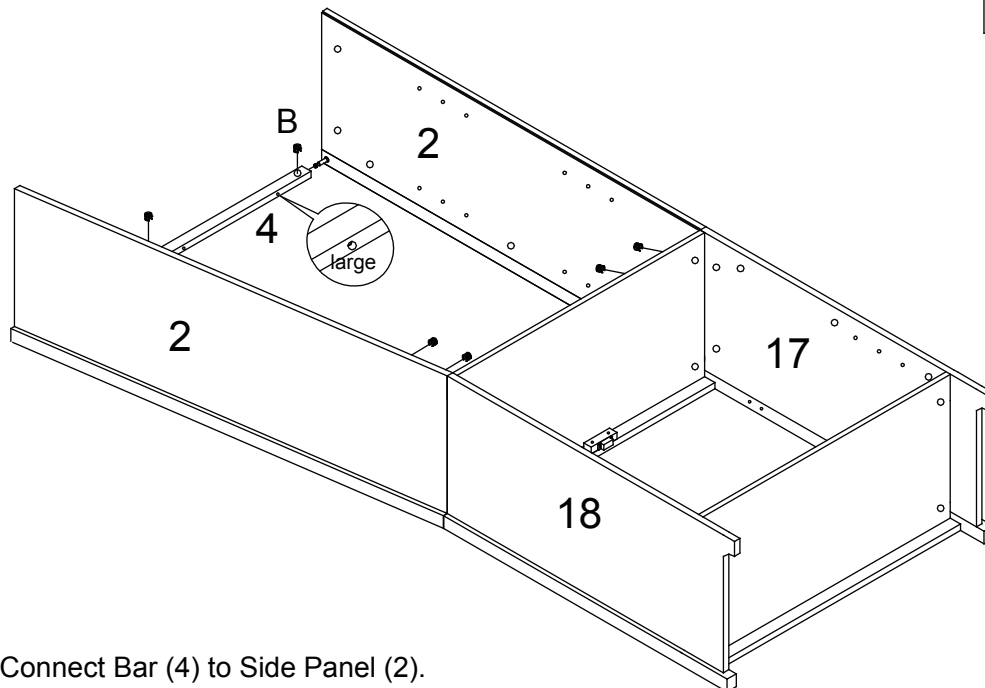
C		4 pcs
B		4 pcs
D		6 pcs



- 1) Insert Cam-bolt (C) and Wood Dowel (D) into the holes on Middle Shelf (9).
- 2) Insert Cam-lock (B) to the holes on (17 & 18) and turn clockwise to lock onto Cam-bolt.
- 3) Attach Upper Side Panel (2) to (9) via Wood Dowels and Cam-bolts on (9).

Step 7

B		6 pcs
---	---	-------

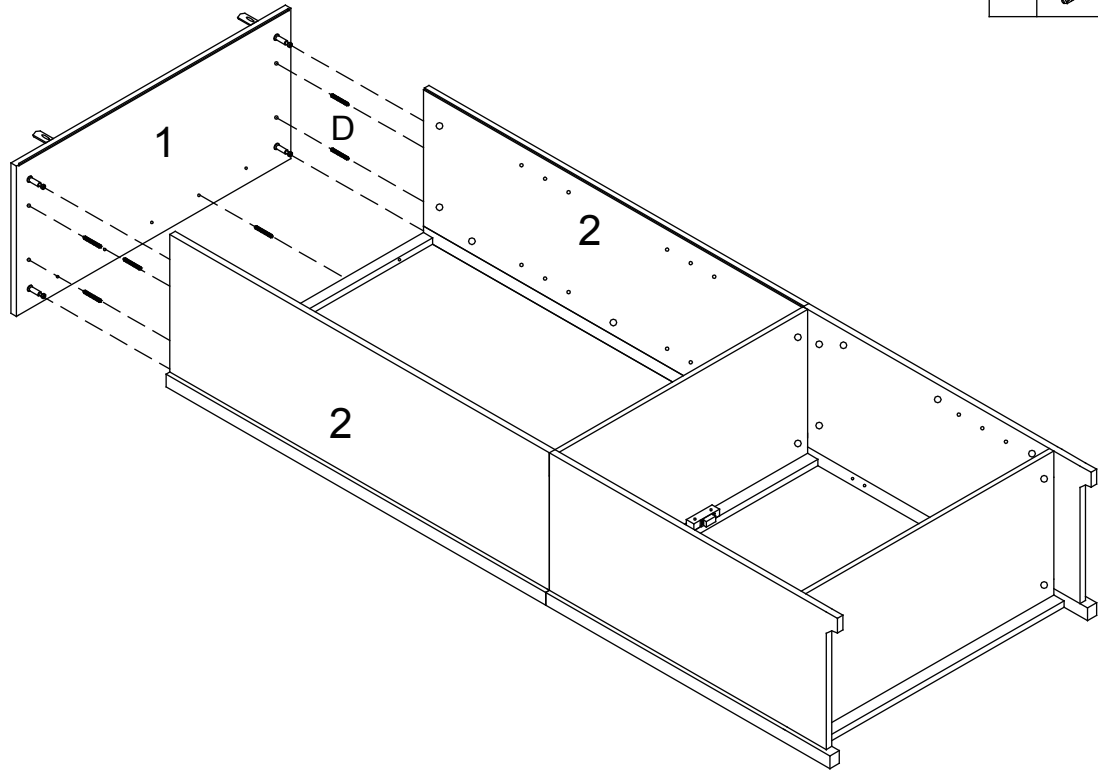


- 1) Attach Top Connect Bar (4) to Side Panel (2).
Important: The large hole is in under side.
- 2) Insert Cam-lock (B) to the holes on (4) and turn clockwise to lock onto Cam-bolt.
- 3) Insert Cam-lock (B) to the holes on (2) and turn clockwise to lock onto Cam-bolt.
Important: If you can't lock it, please loose the cam-lock on (17 & 18), tighten two Cam-locks when both are in place.

PRODUCT ASSEMBLY


Step 8

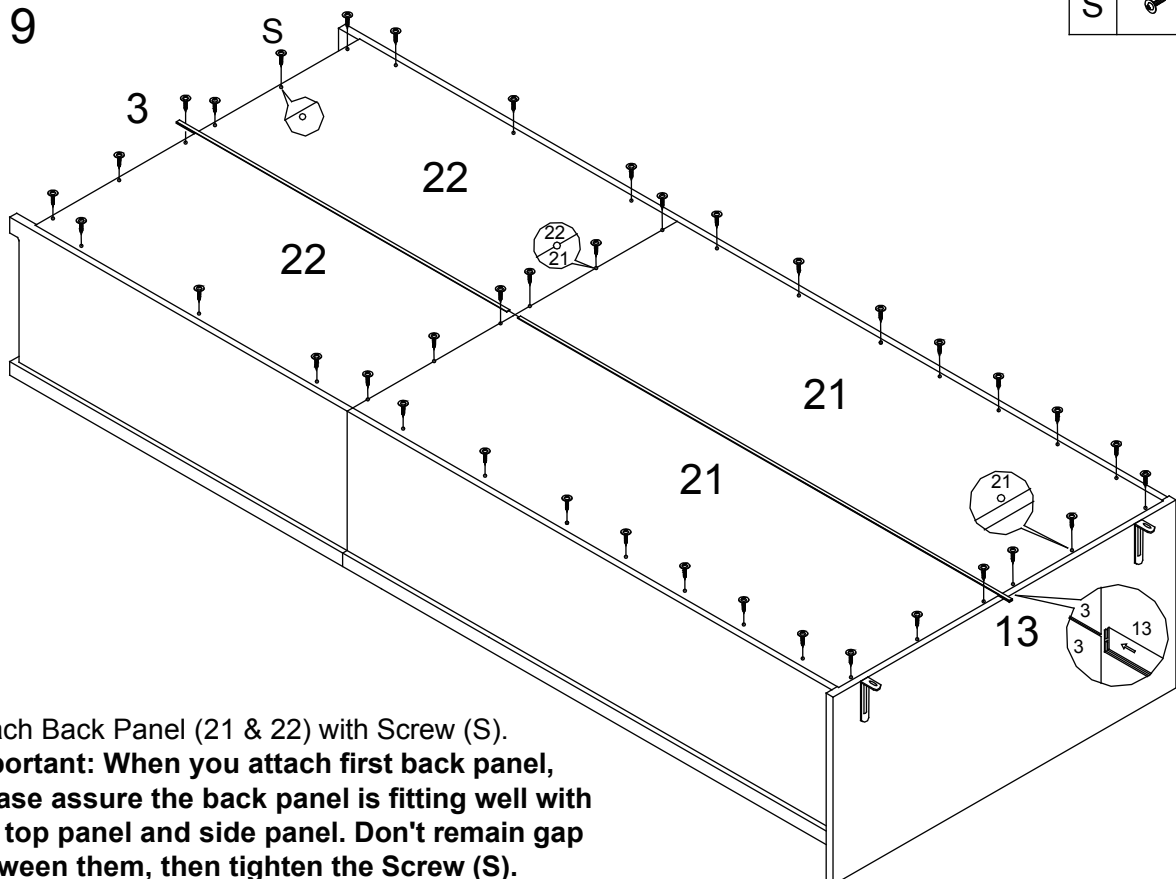
D		6 pcs
---	---	-------



- 1) Insert Wood Dowel (D) into the holes on Side Panel (2).
- 2) Attach Top Panel (1) to (2) via Wood Dowels and Cam-bolts on (1).
- 3) Insert Cam-lock (B) to the holes on (2) and turn clockwise to lock onto Cam-bolt.

Step 9





S		38 pcs
---	---	--------

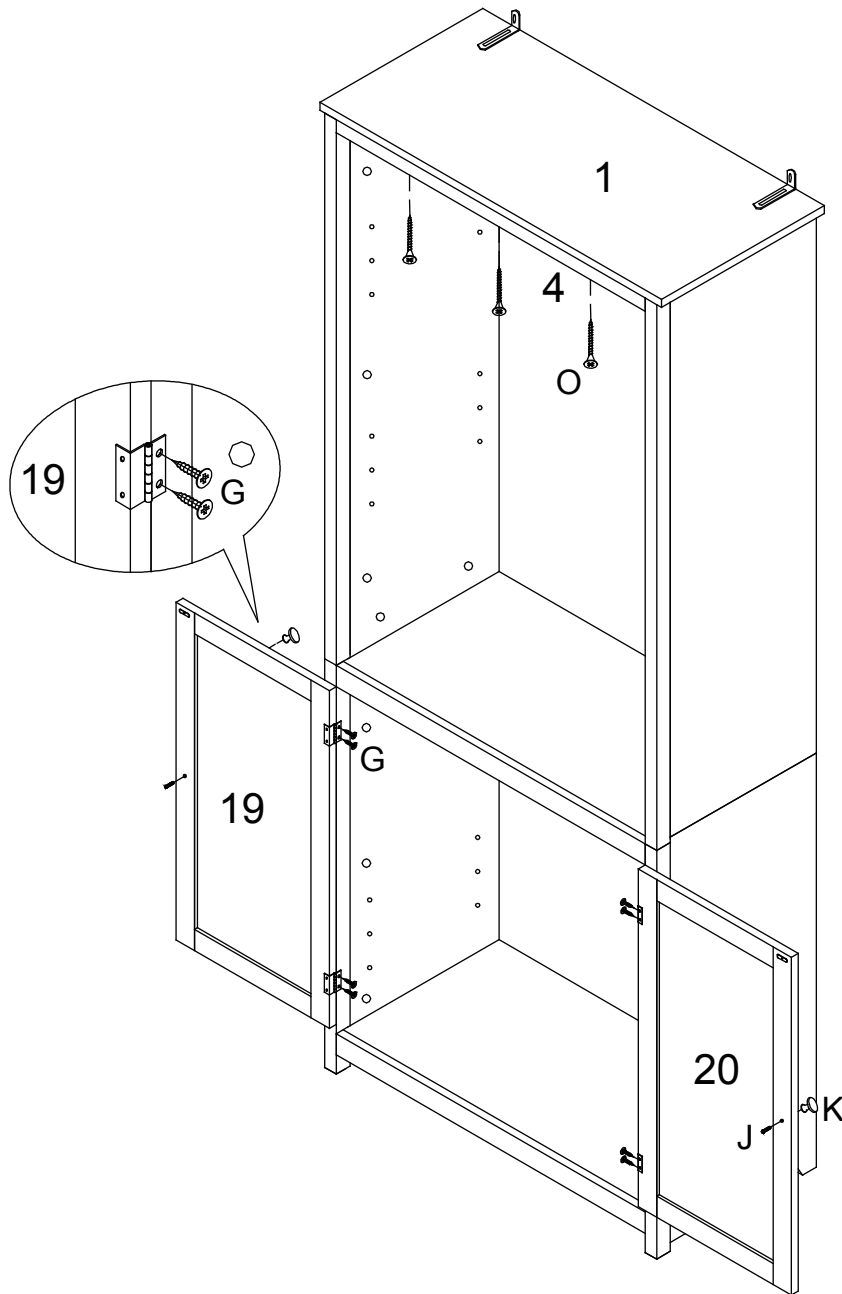


- 1) Attach Back Panel (21 & 22) with Screw (S).
Important: When you attach first back panel, please assure the back panel is fitting well with the top panel and side panel. Don't remain gap between them, then tighten the Screw (S).
- 2) Slide in Connect Bar (3 & 13) as shown.

PRODUCT ASSEMBLY

Step 10


G		8 pcs
J		2 pcs
K		2 pcs
O		3 pcs

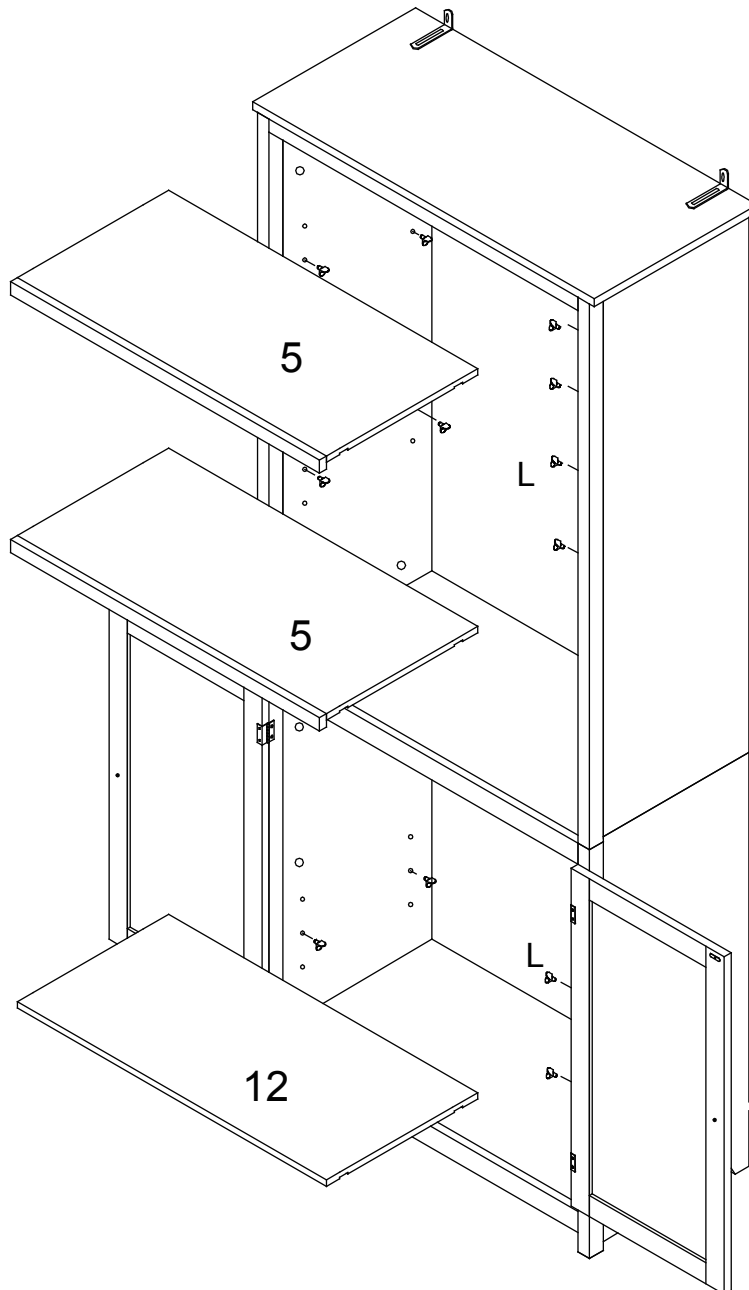


- 1) Affix Top Connect Bar (4) to Top Panel (1) with Screw (O).
- 2) Attach Door (19 & 20) to Side Panel with Screw (G).
- 3) Attach Knob (K) to Door (19 & 20) with Knob Bolt (J).

PRODUCT ASSEMBLY


Step 11

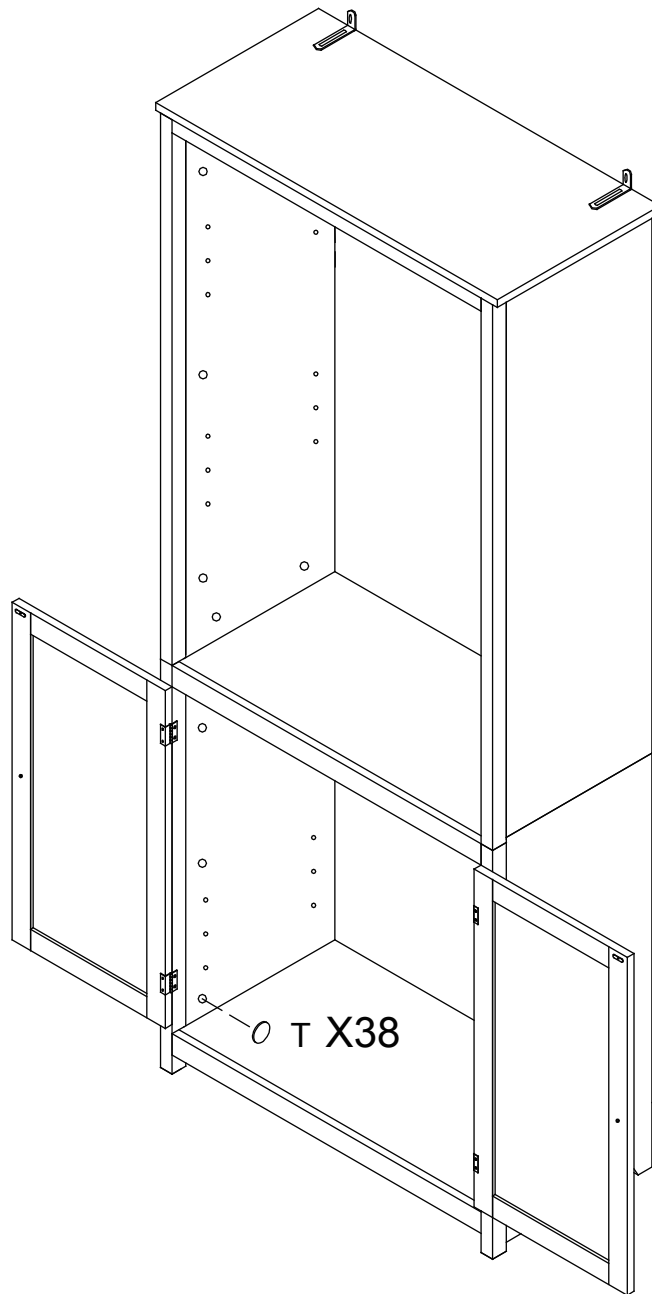
L		12 pcs
---	---	--------



Insert Shelf Pin (L) and place Shelf (5 & 12) on it.

Step 12



T		38 pcs
---	---	--------

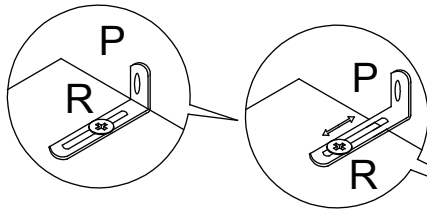


Cover the exposed holes of Cam-lock with Plastic Cover (T).

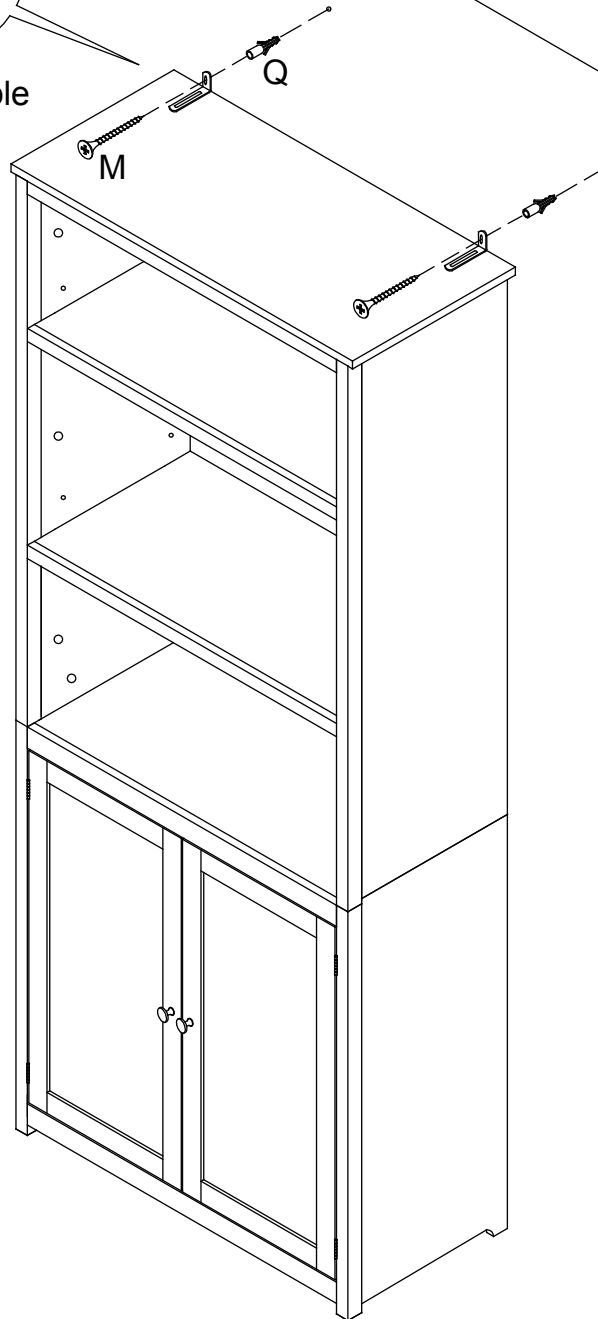
PRODUCT ASSEMBLY

Step 13

M		2 pcs
Q		2 pcs



Bracket (P) is adjustable when you rescrew the screw (R).



- 1) Drill two holes in the dry wall as per the length and dia of Plastic Anchor (Q) and distance between two holes on Bracket (P) on Top Panel.
- 2) Press Plastic wall anchor (Q) to the drywall. Ensure that the anchor fits securely in the wall.
- 3) Move the bookcase to the wall as per the holes on wall and Bracket (P) on Top Panel.
- 4) Fix the bookcase on the wall using Screw (M).