

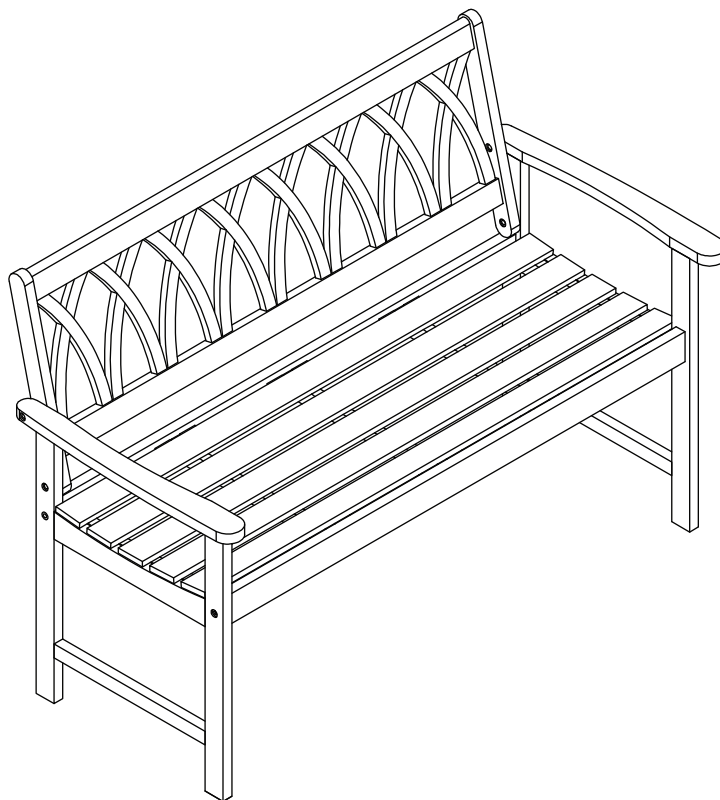
CRISS CROSS GARDEN BENCH

CARE INSTRUCTIONS

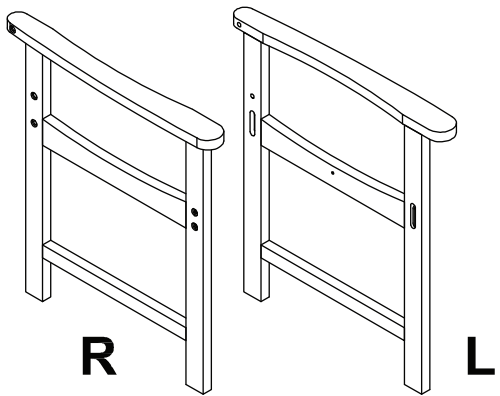
Thank you for choosing CRISS CROSS GARDEN BENCH.

With a little care and maintenance, the CRISS CROSS GARDEN BENCH will provide you with comfort and enjoyment for many years to come!

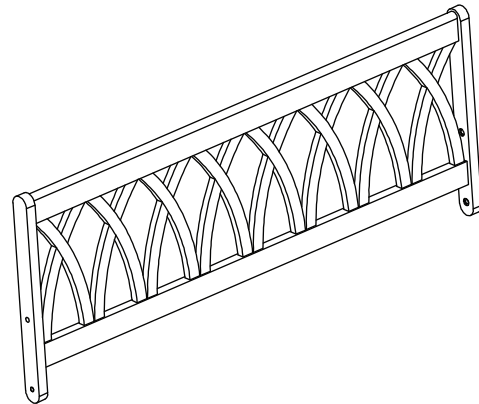
- To clean panels, use clean water on a damp cloth.
- When assembling CRISS CROSS GARDEN BENCH, please handle all the panels and/or hardware with care to avoid any possibilities of damages and/or injuries. Cover during harsh weather to keep it from weathering.
- It is highly recommended that you treat the CROSS GARDEN BENCH with a weatherproof coating of stain once a year, to increase life expectancy and maintain the look.



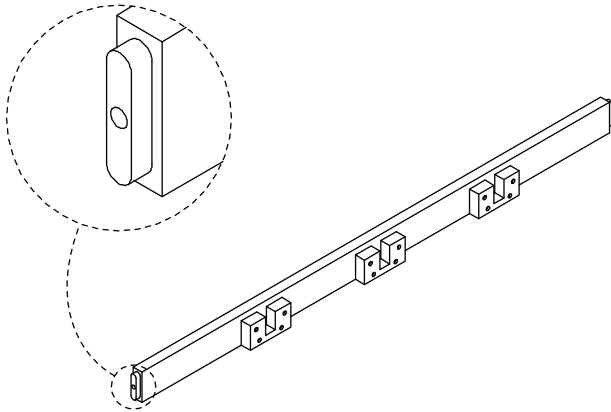
NOTE: Please read all instructions carefully before starting assembly. Also, we recommend that the unit is fully assembled on a level surface. Two people are recommended to assemble this product. **DO NOT** over torque screws and bolts.



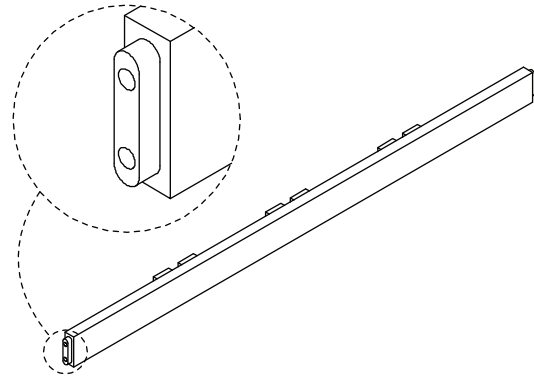
1 ARMREST X 2PCS



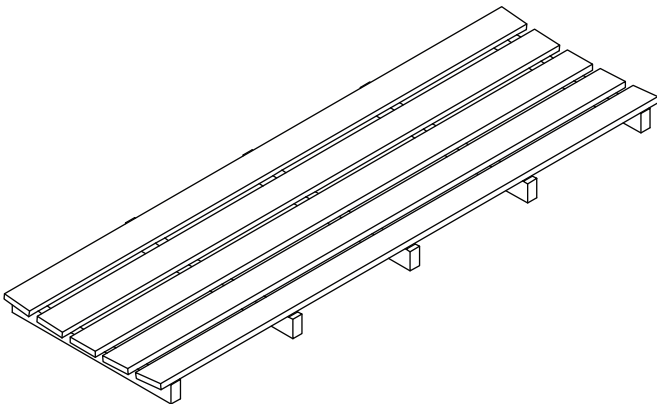
2 BACKREST X 1PC



3 BACK CROSS BEAM X 1PC

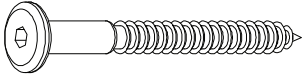
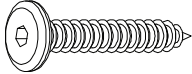
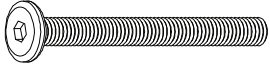
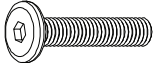
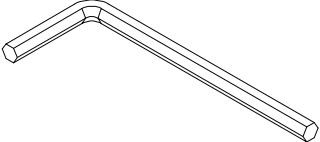


4 FRONT CROSS BEAM X 1PC



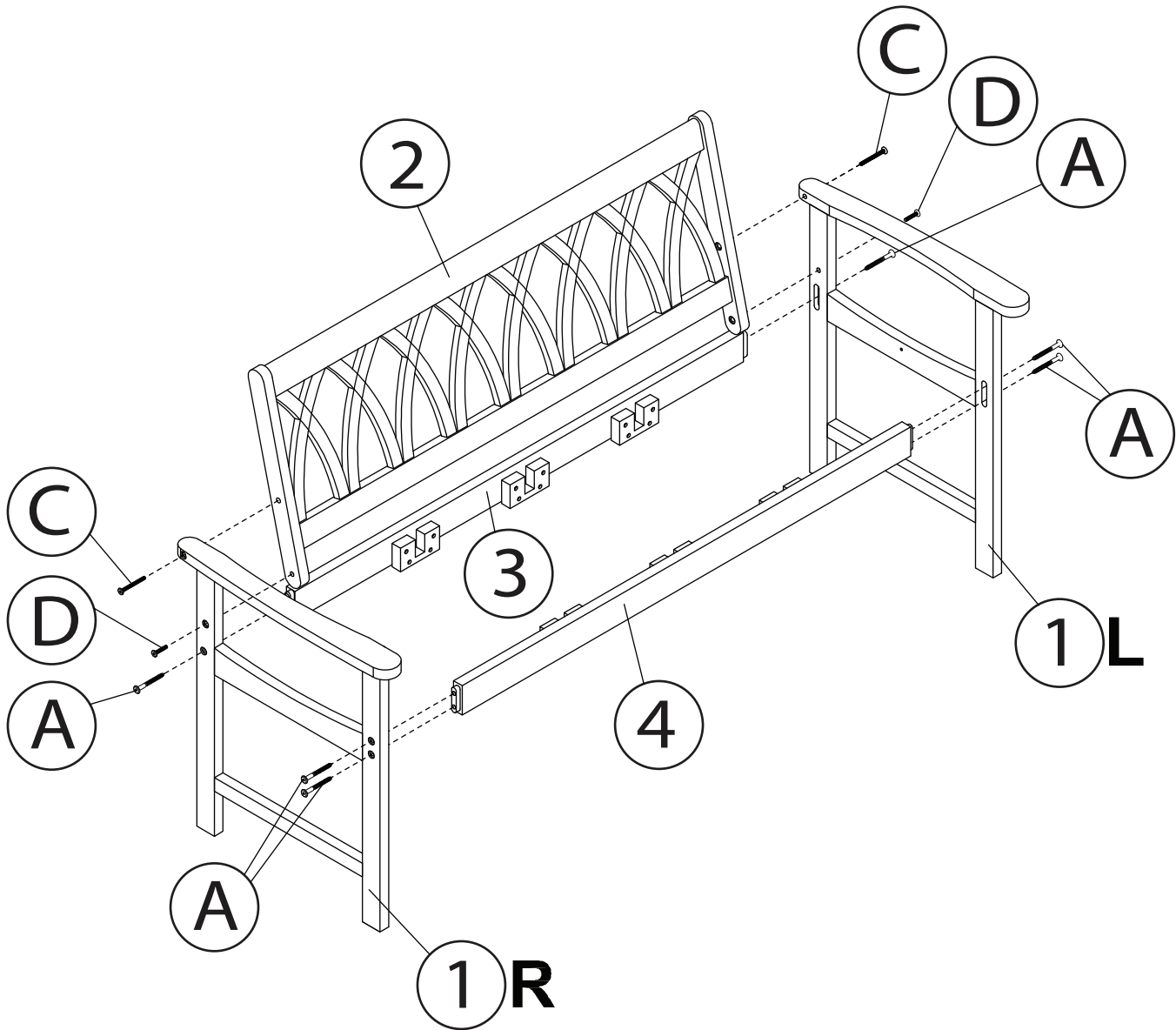
5 SEAT X 1PC

NOTE: Please read all instructions carefully before starting assembly. Also, we recommend that the unit is fully assembled on a level surface. Two people are recommended to assemble this product. DO NOT over torque screws and bolts.

- A  SCREW 7X70 6PCS
- B  SCREW 6X35 2PCS
- C  BOLT 8X60 2PCS
- D  BOLT 8X40 2PCS
- E  ALLEN KEY 1PC

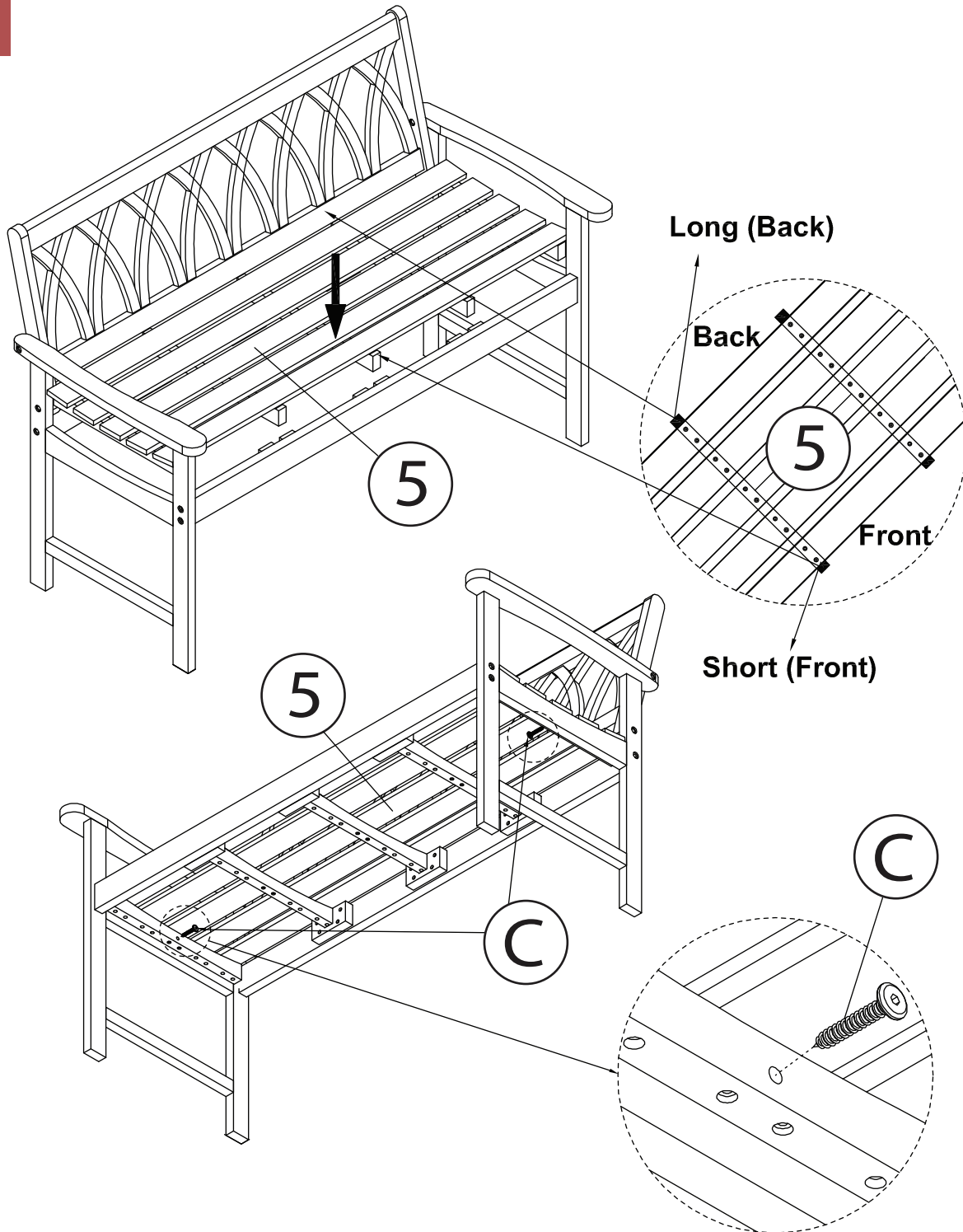
NOTE: Please read all instructions carefully before starting assembly. Also, we recommend that the unit is fully assembled on a level surface. Two people are recommended to assemble this product. DO NOT over torque screws and bolts.

1



NOTE: Please read all instructions carefully before starting assembly.
 Also, we recommend that the unit is fully assembled on a level surface.
 Two people are recommended to assemble this product.
 DO NOT over torque screws and bolts.

2



NOTE: Please read all instructions carefully before starting assembly. Also, we recommend that the unit is fully assembled on a level surface. Two people are recommended to assemble this product. DO NOT over torque screws and bolts.

Please check contents before assembly.

NOTE: Please read all instructions carefully before starting assembly.
Also, we recommend that the unit is fully assembled on a level surface.
Two people are recommended to assemble this product.
DO NOT over torque screws and bolts.