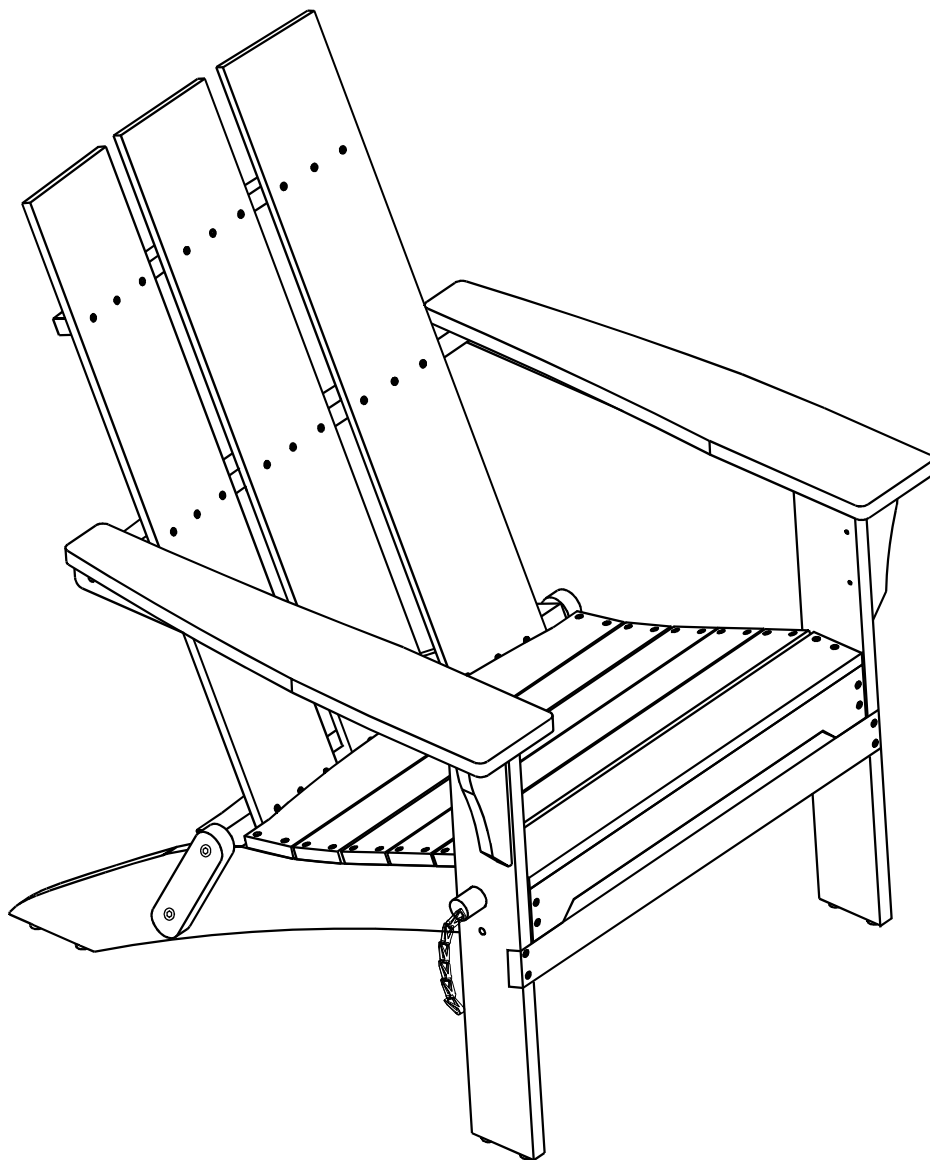


Assembly Instructions

Caution: You must read this before you proceed

Please look in the Seat Panel for hardware packs

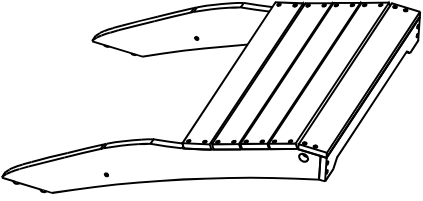
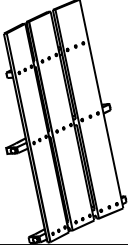
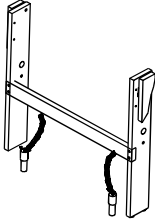






Caution: This Adirondack is NOT a TOY.

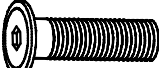

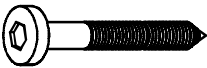
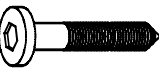



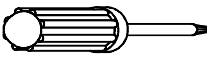
Keep your child / children at bay during the assembly process.

Whenever moving or lifting the Adirondack and to prevent damage to the Adirondack, two adults are needed to execute this action.

Parts List

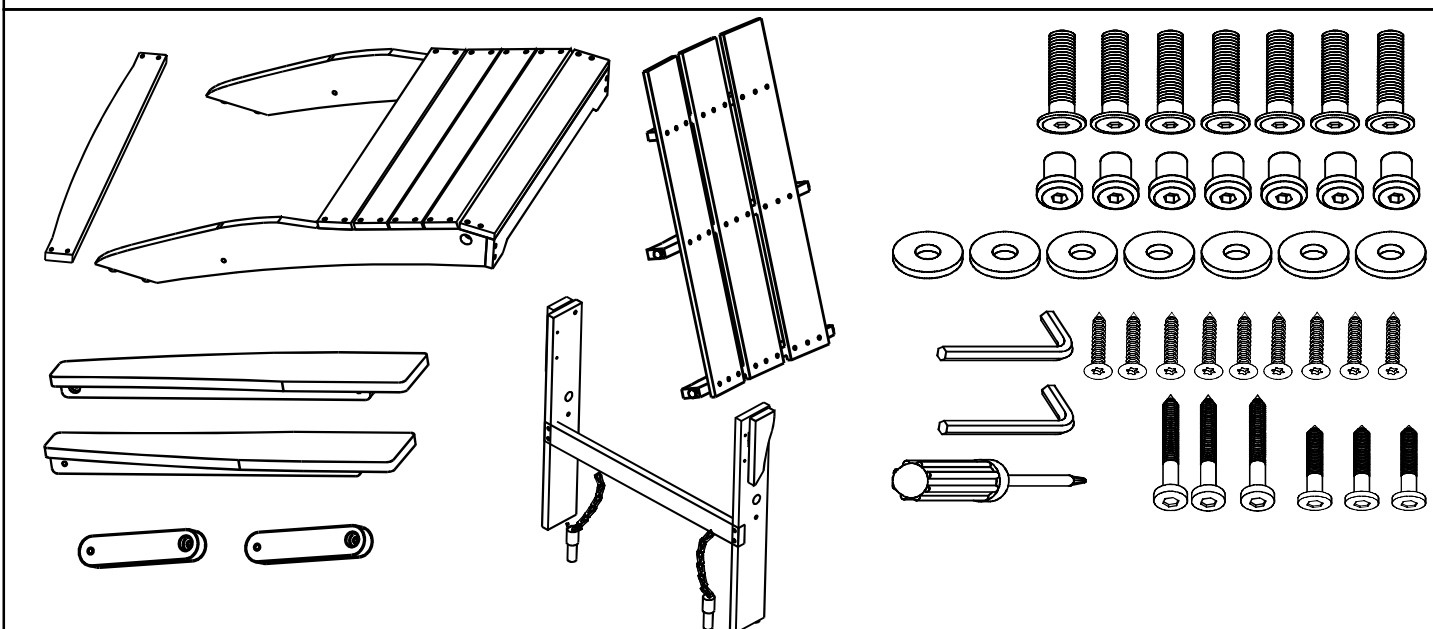
Label	Picture	Description	QTY
A		Seat Panel	1
B		Backrest	1
C		Pre-fixed Front Leg	1
D		Right Armrest	1
E		Left Armrest	1
F		KD Slat	1
G		Folding Support Bar	2





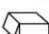
Hardware

Label	Picture	Description	QTY
①		Bolt (M8x35mm)	7
②		Sleeve Nut (M8x15mm)	7
③		Long Screw (M7x70mm)	3
④		Short Screw (M7x40mm)	3
⑤		Screw (M4x30mm) (Use with Screwdriver)	9
⑥		Plastic Washer (M8x3mm)	7
⑦		Allen Wrench	2
⑧		Screwdriver	Not provided

Assembly Preparation

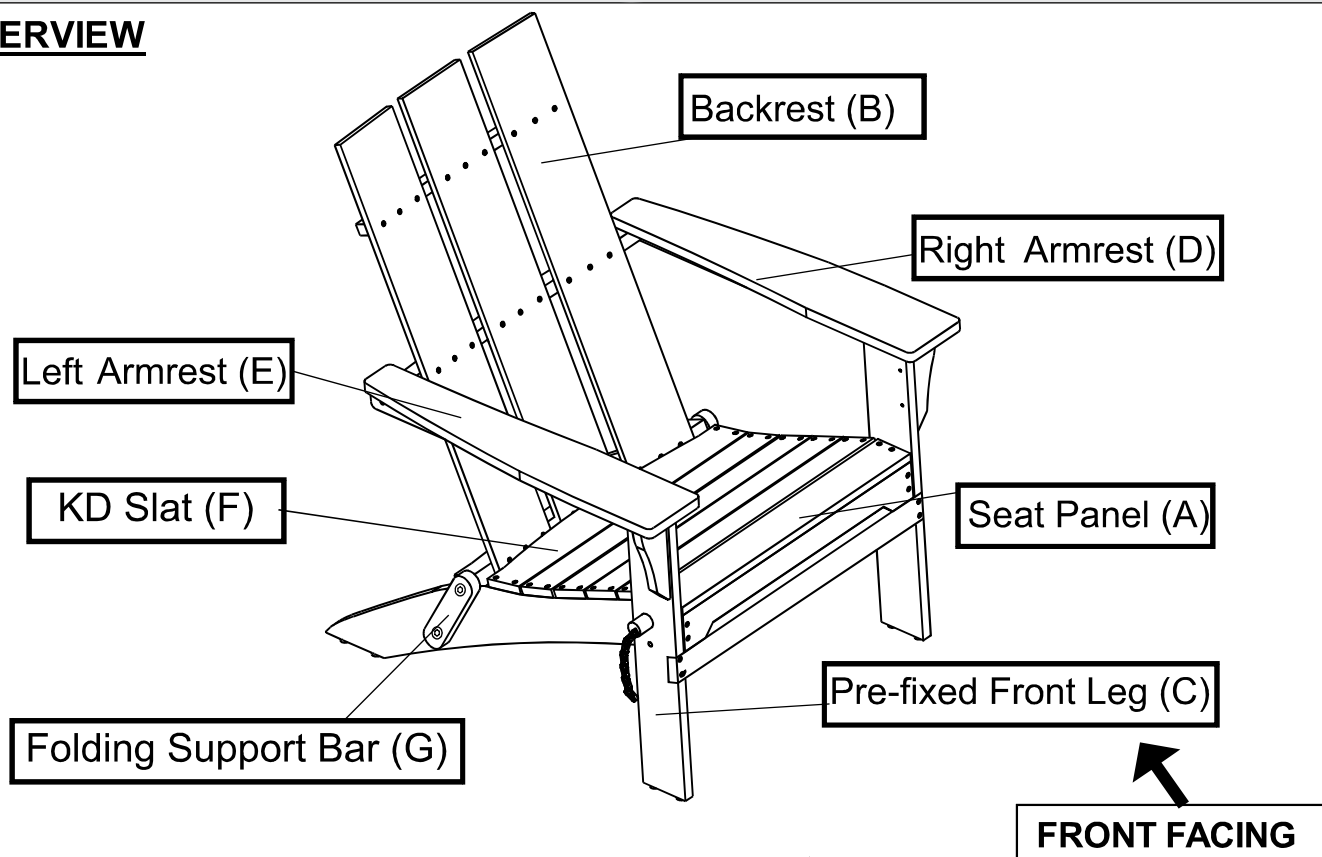
Before Beginning Assembly:



-  • Read instructions, cover to cover-
-  • Have 2 adults on hand for assembly-
-  • Do not assemble on flooring or carpet-
-  • Assemble on a clean non-marring surface (packing foam)-
-  • Save all packaging until finished-

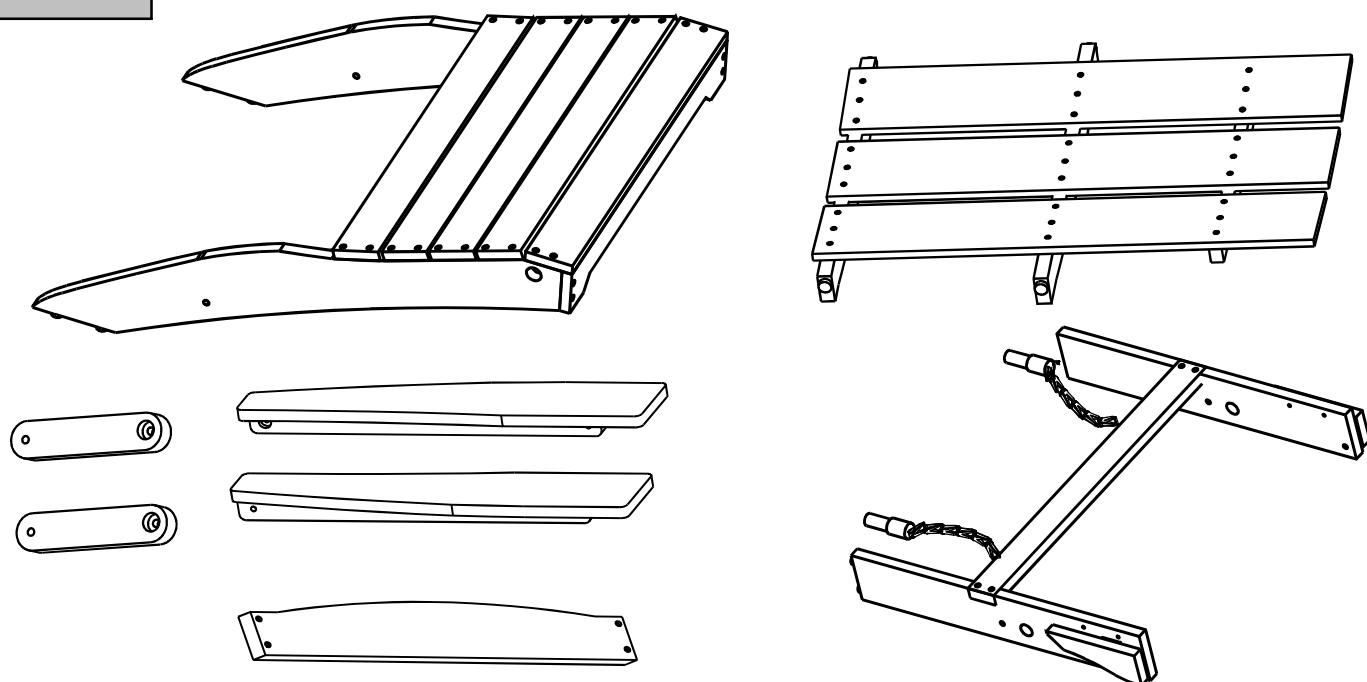
Assemble Steps

OVERVIEW



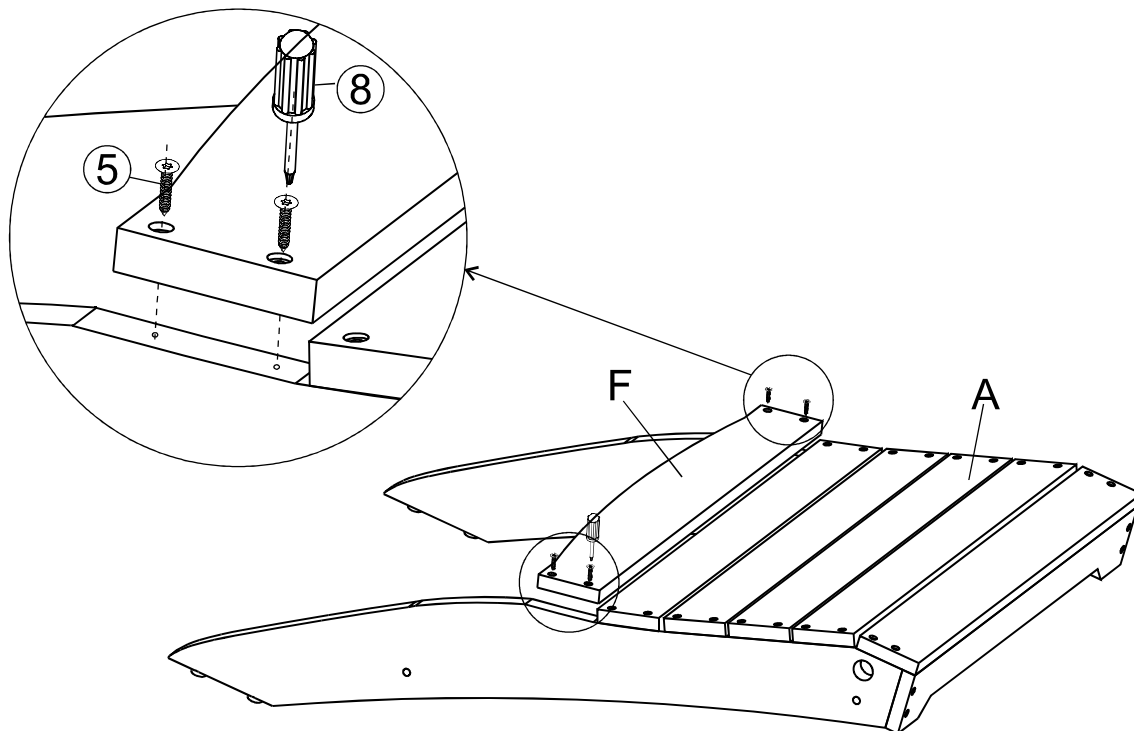
This Adirondack has multiple parts and may require up to 30 minutes to assemble. To give you an overview of the Adirondack parts, the above picture is to help you put the various parts into perspective. Please read through the instructions below to familiarise yourself with the parts and steps before assembly.

Step 1



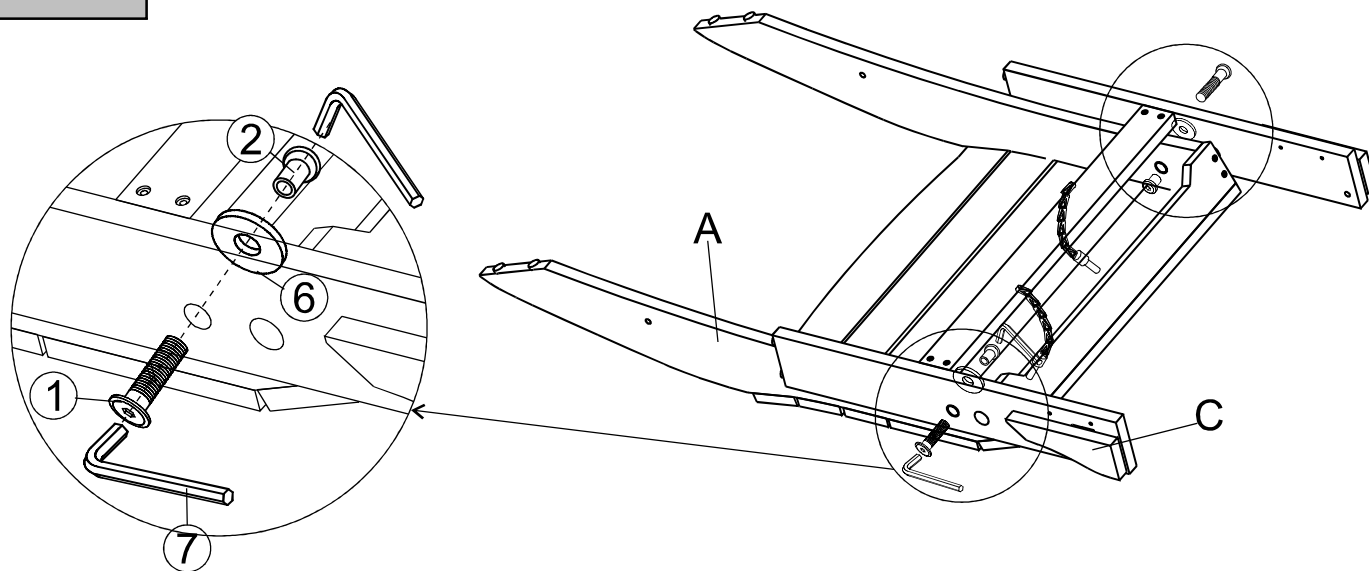
Unpack and place all parts on a clean, non-marring surface.

Step 2



Place the Seat Panel (A) onto a clean, non-marring surface.
Position KD Slat(F) onto the Seat Panel(A) and attach using 4 Screw (5)
and Screwdriver (8)
Do not fully tighten Screws

Step 3

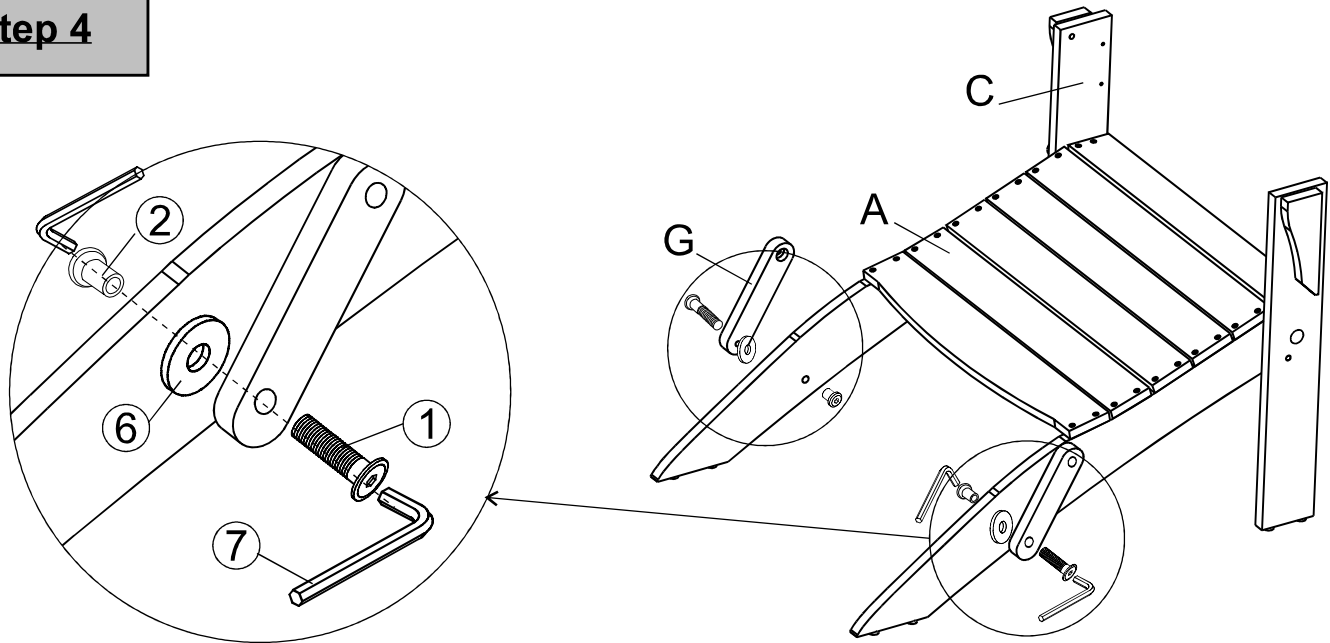


Turn upside down Seat Panel(A) as shown in the picture.
Attach Pre-fixed Front Leg(C) to Seat Panel (A) using Bolt (1), Plastic
Washer (6), and Sleeve Nuts (5) with Allen Wrench (7).

Do not fully tighten Bolts

**Note: The Plastic Washer should be placed between the Seat Panel
and Pre-fixed Front Leg.**

Step 4

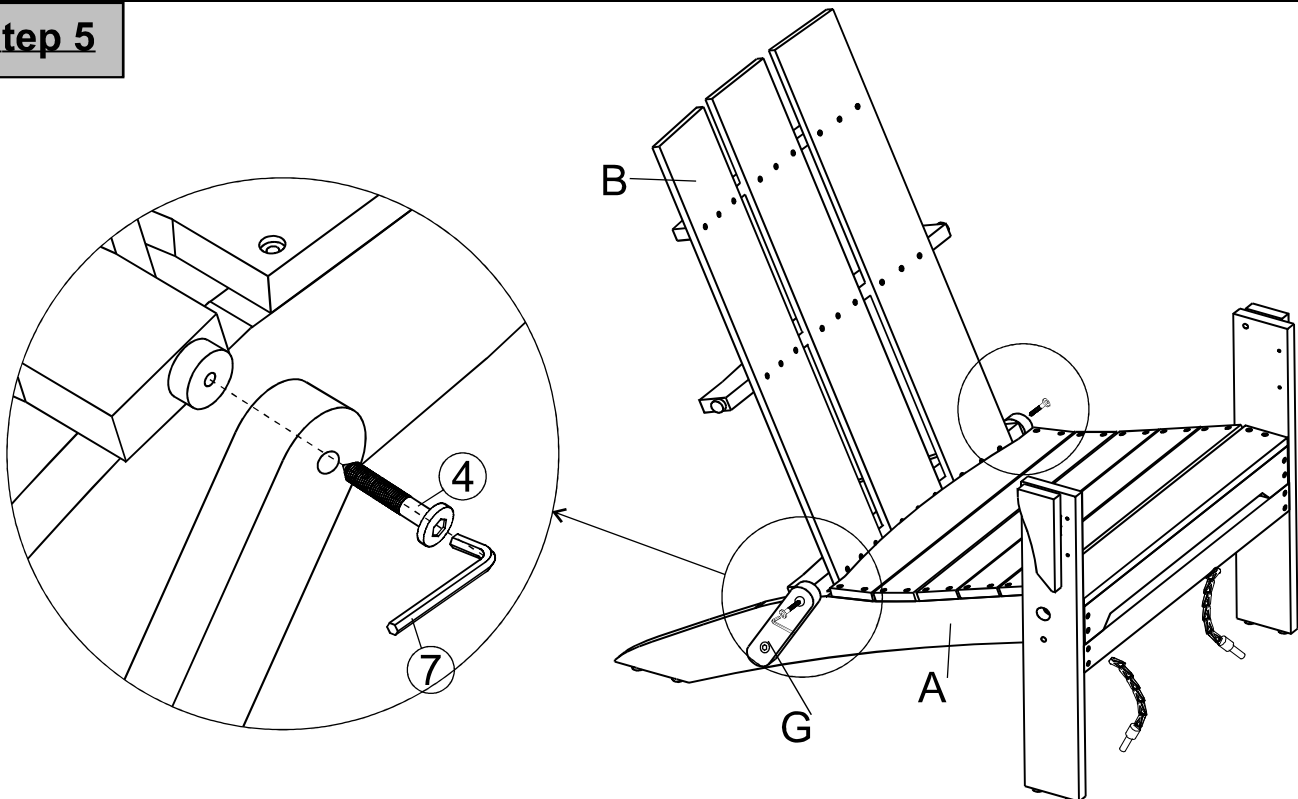


Place the Frame in Step 3 in the position as picture above
Attach Folding Support Bar (G) to Seat Panel (A) using Bolt (①), Plastic Washer (⑥), and Sleeve Nut (②) with Allen Wrench (⑦).

Do not fully tighten Bolts.

Note: Plastic Washer should be placed between Seat Panel and Folding Support Bar.

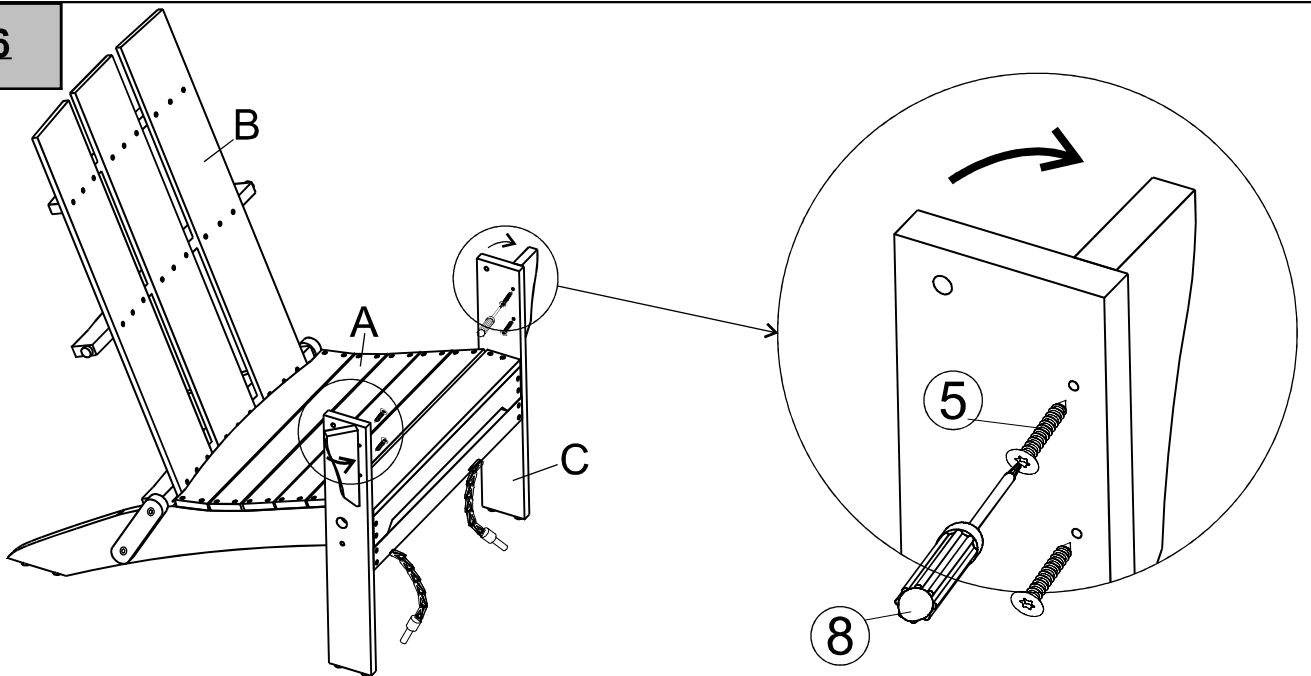
Step 5



Position Backrest (B) with mortise into housing of Folding Support Bar (G)
Secure Folding Support Bar (G) to Backrest (B) using Screw (④) and Allen Wrench (⑦) as shown above.

Do not fully tighten Screws

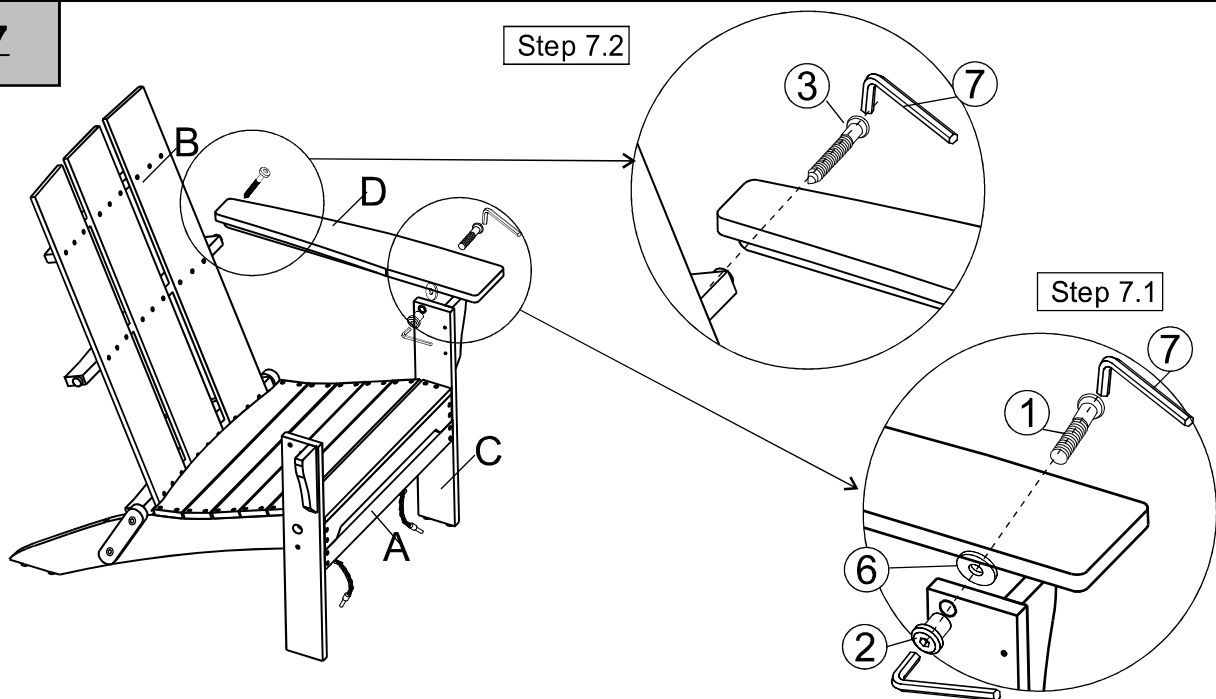
Step 6



Fold out the Left and Right Support Corners of Pre-fixed Front Leg (C) as indicated by the arrow, Then secure using Screws (⑤) with Screwdriver (⑧) as shown above.

Do not fully tighten the Screws.

Step 7



7.1) Attach the Right Armrest (D) to Pre-fixed Front Leg (C) by using Bolt (①), Plastic Washer(⑥), and Sleeve Nut (②) with Allen Wrench (⑦).

7.2) Secure Right Armrest (D) to Backrest(B) using Long Screw (③) with Allen Wrench (⑦).

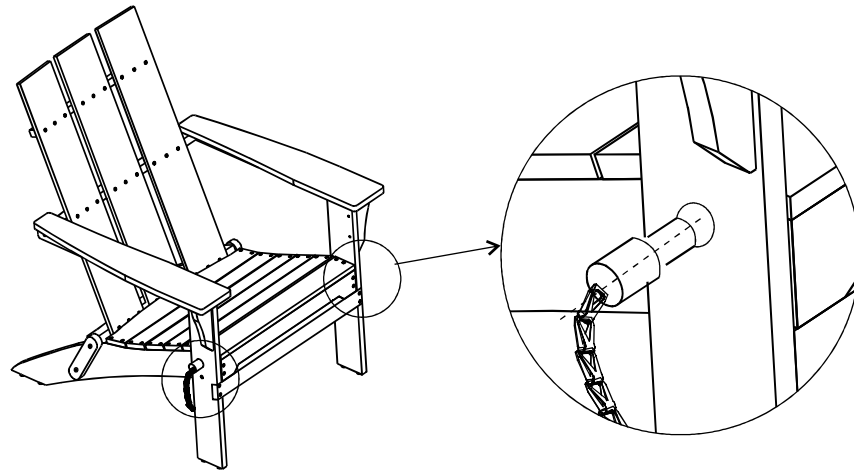
Do not fully tighten Bolts and Screws.

Note: Plastic Washer should be placed between Left Armrest and Pre-fixed Front Leg.

Repeat the same process with the Left Armrest (E).

In a sequential manner, tighten all Bolts and Screws at all joints until fully locked into position.

Step 8



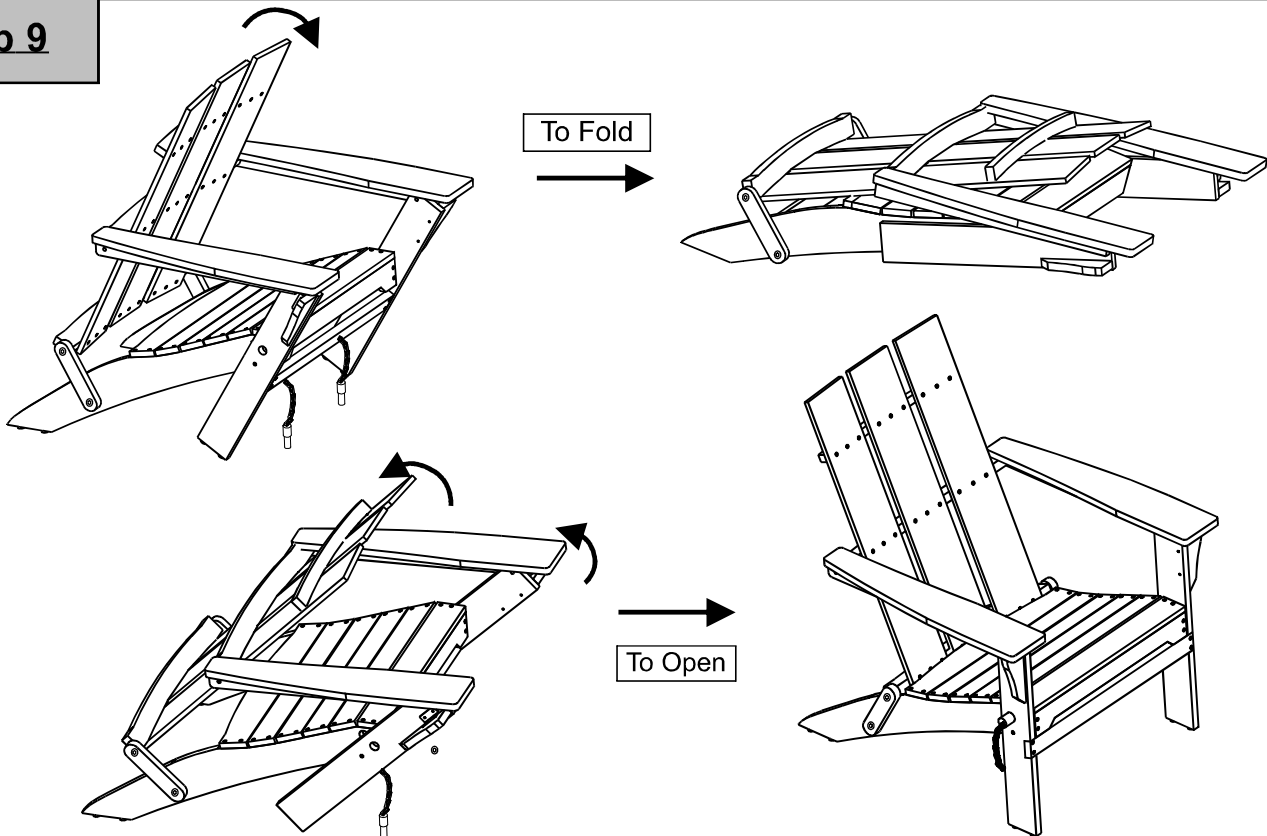
Push the Wooden Pin through the Legs as pictured to Lock the Chair into position. Gently and gracefully, sit onto the Adirondack. This will help to align all the parts at all joint areas.

In a sequential manner, tighten all Bolts and Screws at all joints until fully locked into position.

Your Adirondack is ready for use.

This Adirondack can only be used on a flat, level surface.

Step 9











This Adirondack can be folded shut.


To fold: pull the Wooden Pins out of the Legs, then lift up the Backrest and fold the Seat Panel as shown above, until the Adirondack folds shut.

To open: pull the Backrest and Seat up as indicated by the arrows, then insert the Wooden Pins through the Legs.

Note: This Adirondack is heavy, always have a second adult to assist whenever moving or lifting it.

Care & Maintenance

-  ● Do not put hot items directly on furniture surface
-  ● Do not clean furniture with harsh cleansers or polish.
-  ● To obtain the longest lifespan of your outdoor products, minimizing exposure to direct sunlight is recommended.
-  ● Children should not climb or jump on the furniture.
-  ● Do not write on furniture without a padded barrier to protect the surface.
-  ● To obtain the longest lifespan of your outdoor products, avoid extended and lengthy exposure to rain, snow, and direct sunshine. Whenever possible cover the product and /or place under patio or awnings.
-  ● Not for commercial use. For residential use only .
-  ● Stains may be removed with mild soap solution and damp cloth.

-  ● Dust and pick-up spills using a clean, non-colored, lint-free cloth .