

# *ASSEMBLY INSTRUCTIONS*



*Fine Furniture for every stage of life*

## **Counter Height Table**

# ASSEMBLY INSTRUCTIONS

## ASSEMBLY TIPS:

1. Remove hardware from box and sort by size.
2. Please check to see that all hardware and parts are present prior to start of assembly.
3. Please follow attached instructions in the same sequence as numbered to assure fast & easy assembly.



### WARNING!







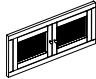
1. Don't attempt to repair or modify parts that are broken or defective. Please contact the store immediately.
2. This product is for home use only and not intended for commercial establishments.







ASSEMBLY TIME

30 MINUTES

## PARTS IDENTIFICATION

A	TOP		1PC	B	LEFT BASE		1PC
C	RIGHT BASE		1PC	D	SIDE FRAME		2PCS
E	SHELF		2PCS	F	BACK PANEL		1PC
G	FRONT FRAME		1PC				

## HARDWARE IDENTIFICATION

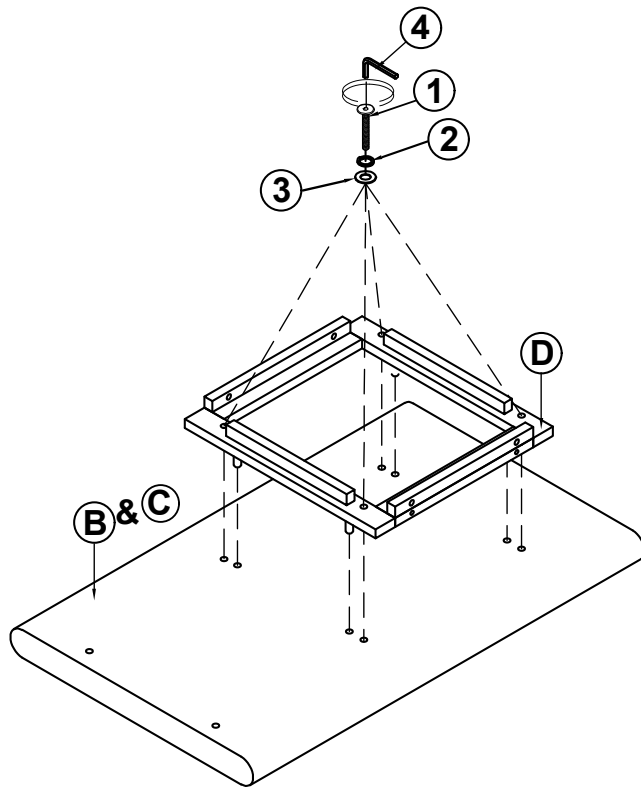
1	<b>BOLT</b> ( $\varnothing$ 5/16" x 38MM - RBW)		20PCS	3	<b>FLAT WASHER</b> ( $\varnothing$ 5/16" - RBW)		20PCS
2	<b>LOCK WASHER</b> ( $\varnothing$ 5/16" - RBW)		20PCS	4	<b>ALLEN WRENCH</b> (M4 x 60MM - RBW)		1PC

### NOTE:

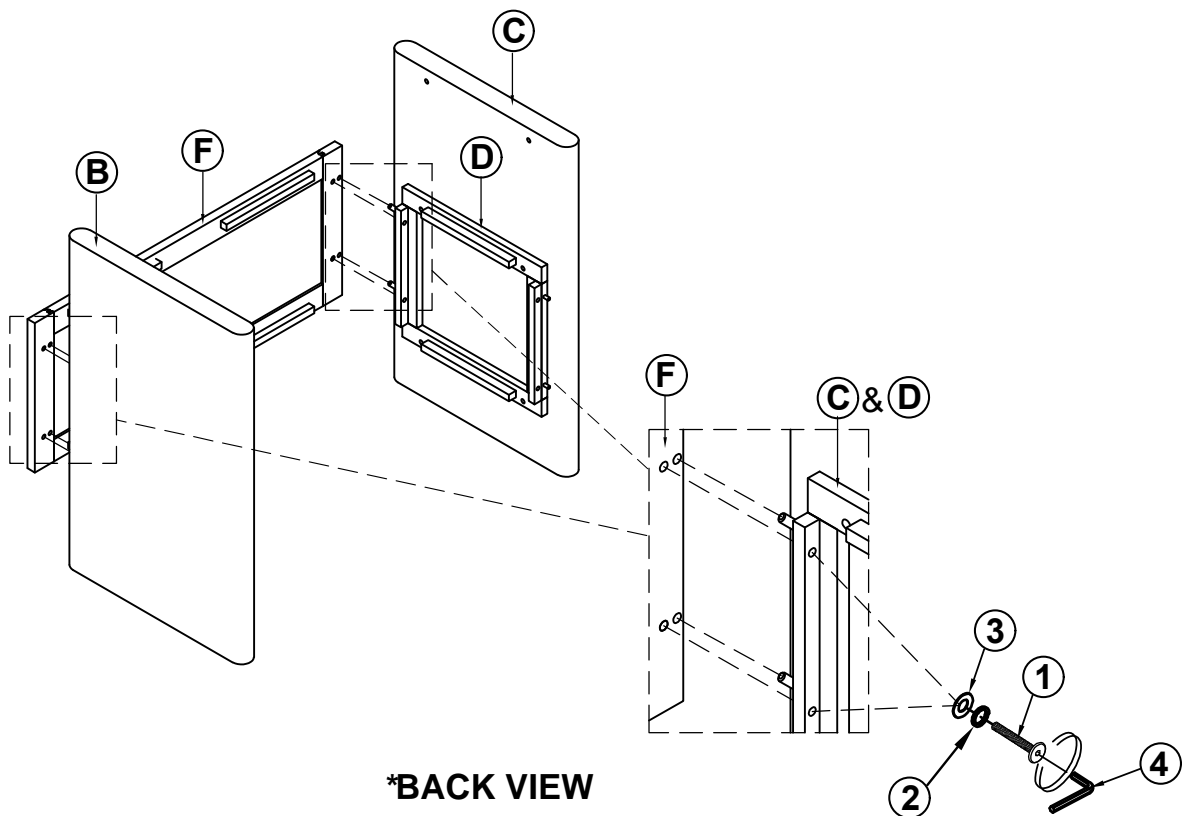
Phillips head screw driver is required in the assembly process; however, manufacturer does not provide this item.

# ASSEMBLY INSTRUCTIONS

## STEP 1

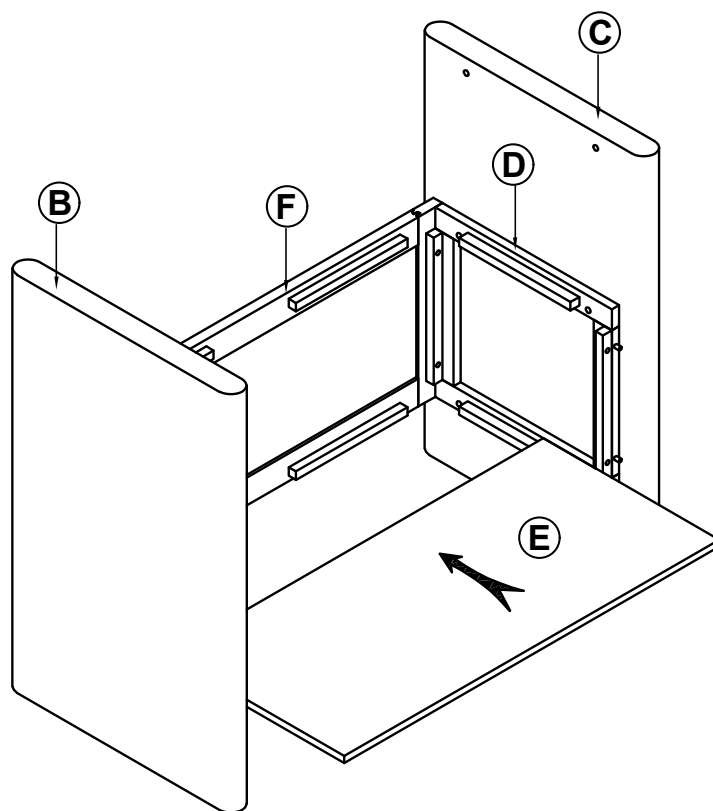


## STEP 2

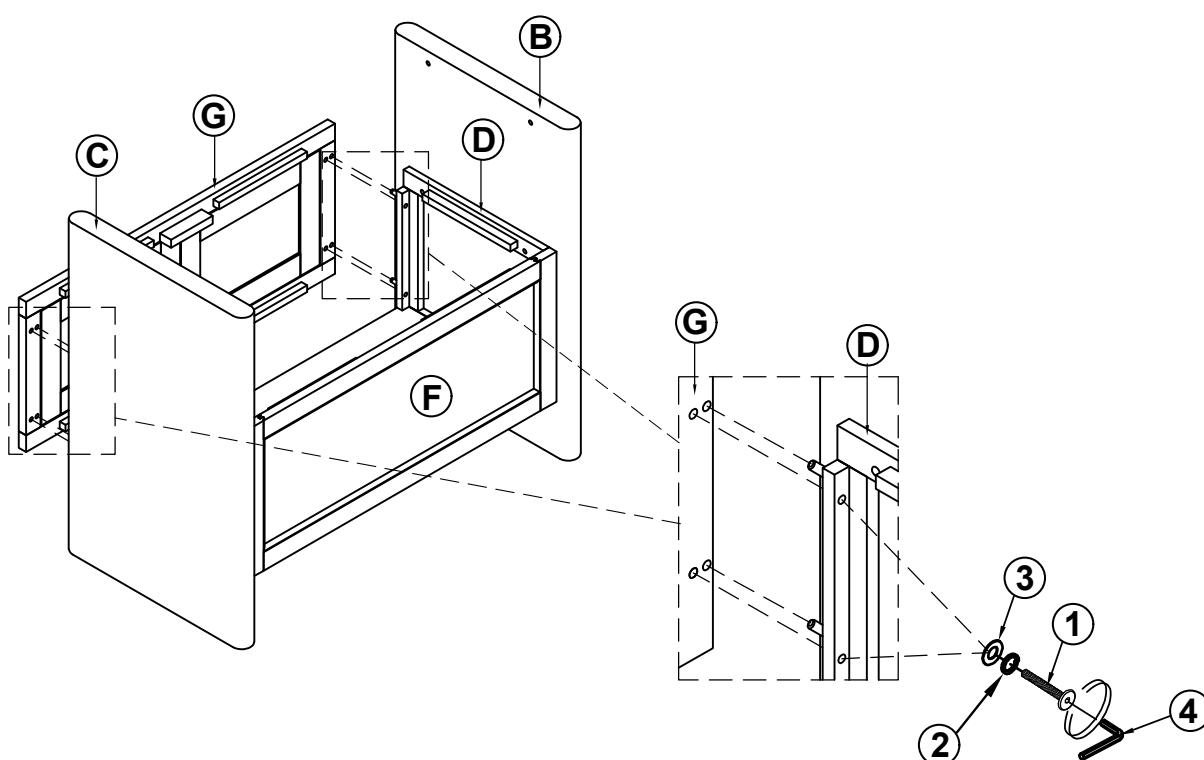


# ASSEMBLY INSTRUCTIONS

## STEP 3

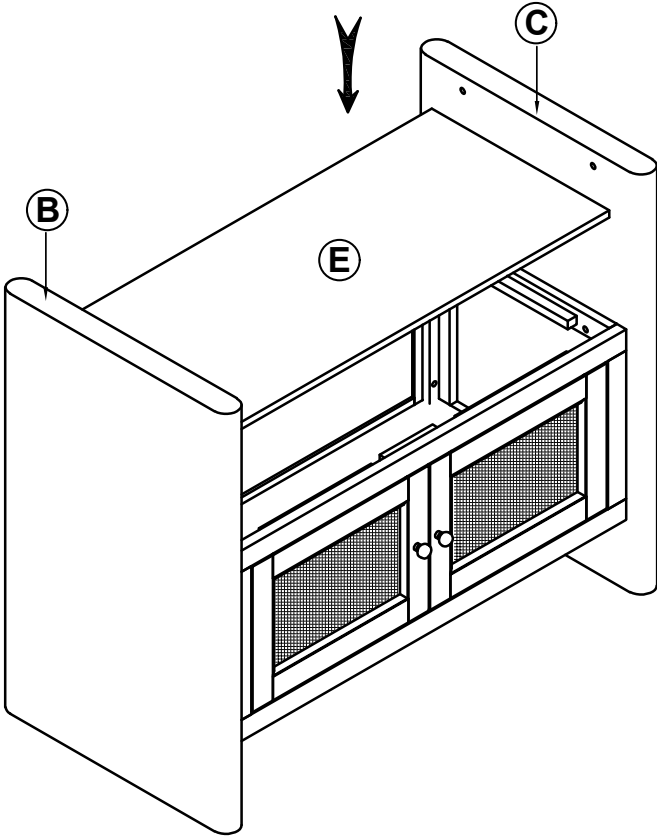


## STEP 4

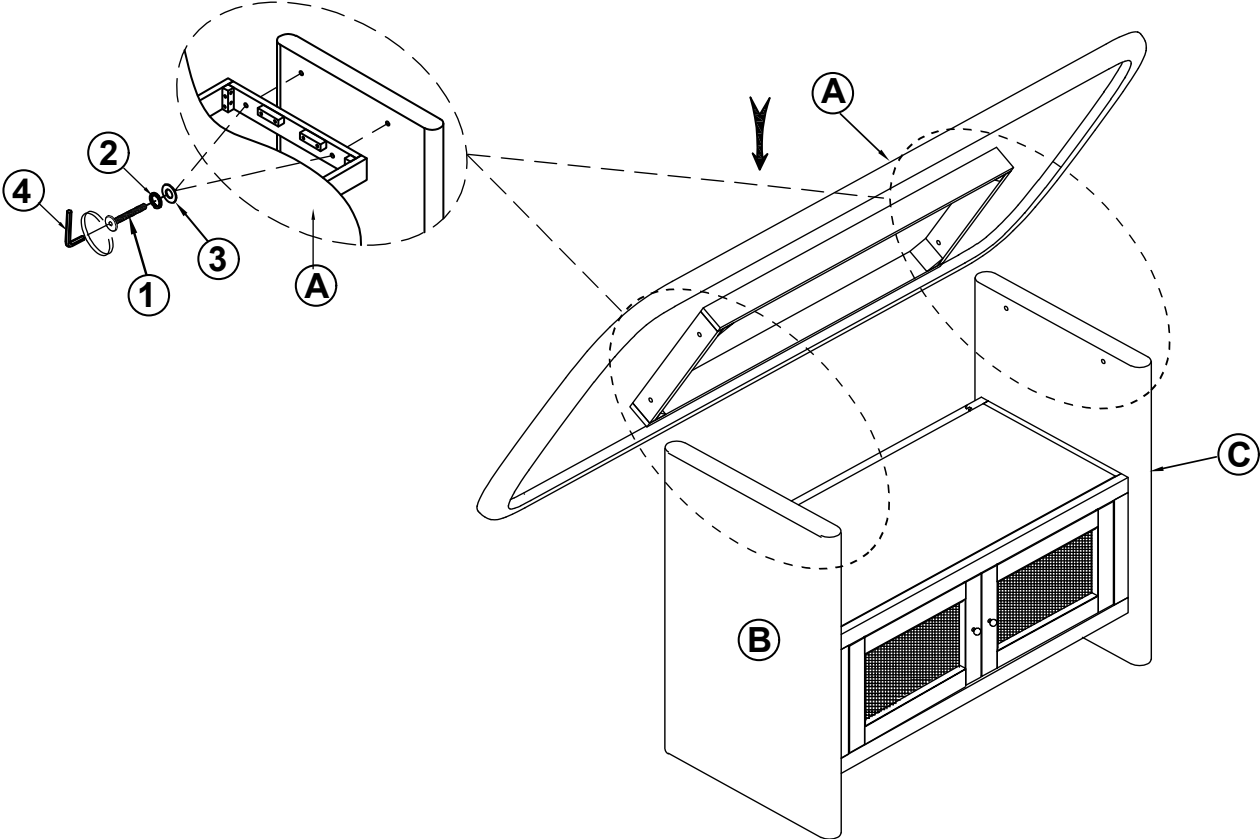


**ASSEMBLY INSTRUCTIONS**

**STEP 5**



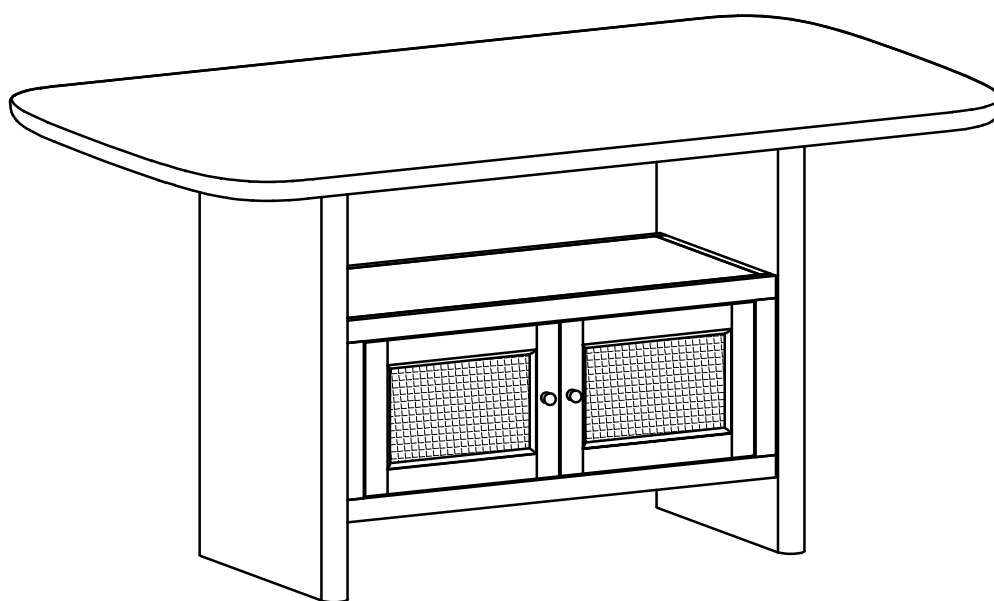
**STEP 6**

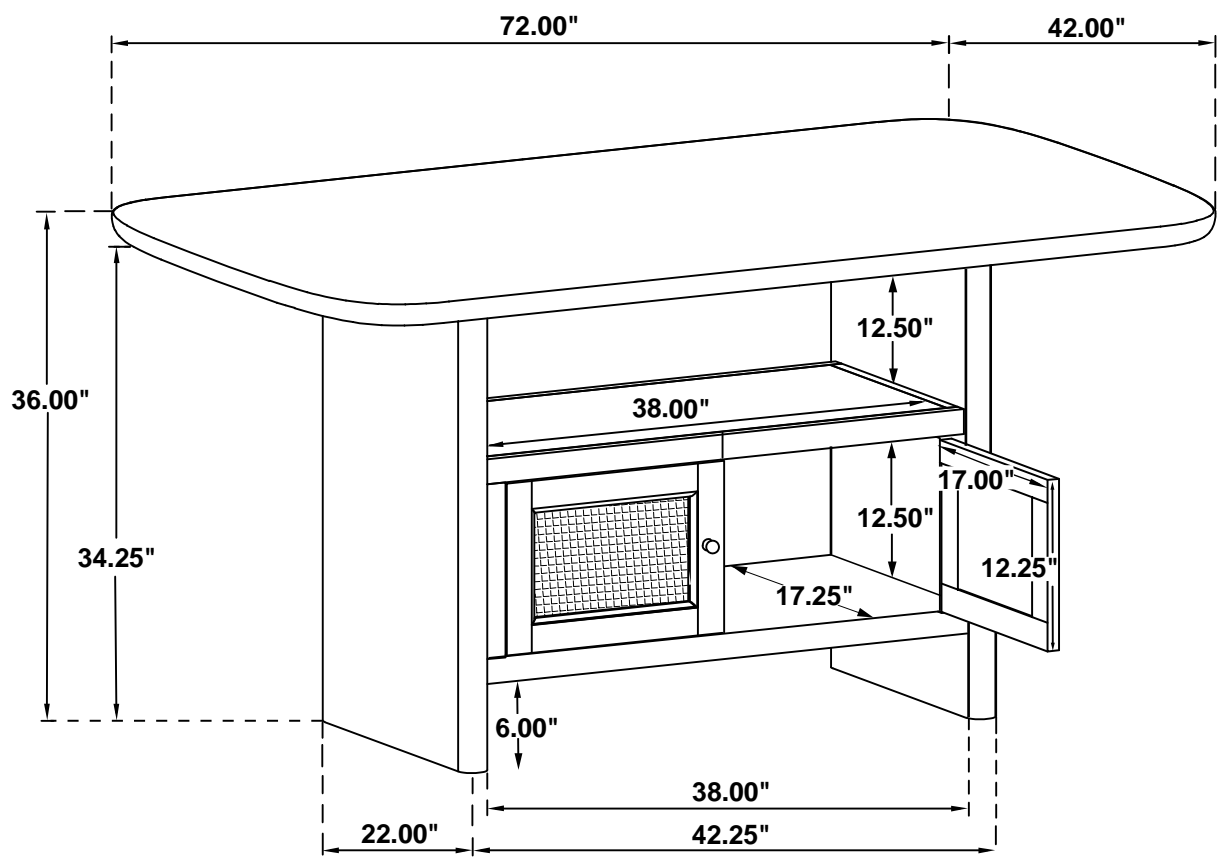


# ASSEMBLY INSTRUCTIONS

## STEP 7

COMPLETE





**Note: Dimension tolerance  $\pm 5\%$**

# ASSEMBLY INSTRUCTIONS



*Fine Furniture for every stage of life*

## Counter Height Stool

# ASSEMBLY INSTRUCTIONS

## ASSEMBLY TIPS:

1. Remove hardware from box and sort by size.
2. Please check to see that all hardware and parts are present prior to start of assembly.
3. Please follow attached instructions in the same sequence as numbered to assure fast & easy assembly.



### WARNING!

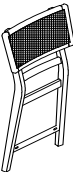
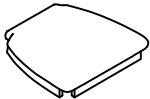
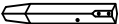
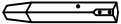



1. Don't attempt to repair or modify parts that are broken or defective. Please contact the store immediately.
2. This product is for home use only and not intended for commercial establishments.



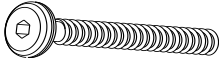
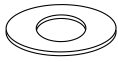
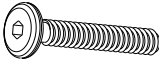

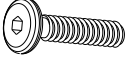
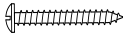

ASSEMBLY TIME

5 MINUTES

## PARTS IDENTIFICATION

A	BACK FRAME		1PC	B	SEAT CUSHION WITH FRAME		1PC
C	LEFT FRONT LEG		1PC	D	RIGHT FRONT LEG		1PC
E	FRONT STRETCHER		1PC	F	LEFT SIDE STRETCHER		1PC
G	RIGHT SIDE STRETCHER		1PC				

## HARDWARE IDENTIFICATION

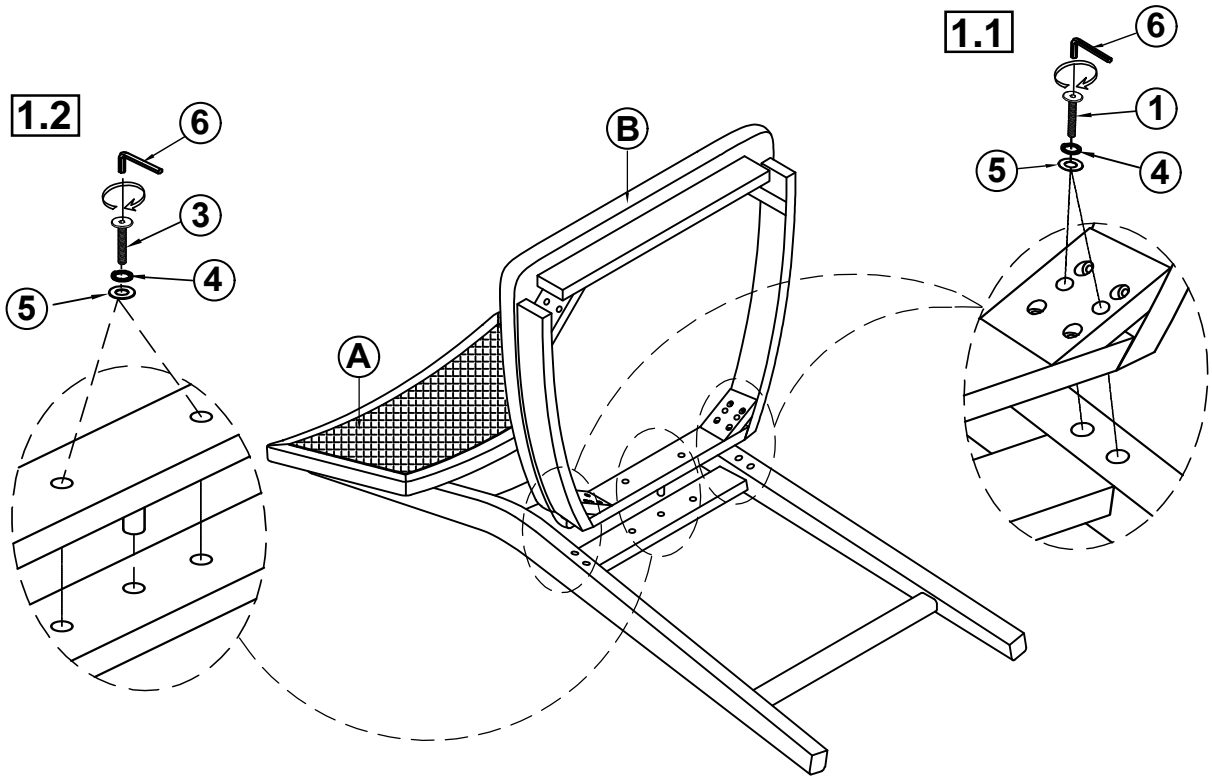
1	LONG BOLT ( $\Phi 1/4$ " x 75mm - RBW)		4PCS	5	FLAT WASHER ( $\Phi 1/4$ " - RBW)		10PCS
2	MEDIUM BOLT ( $\Phi 1/4$ " x 60 mm - RBW)		4PCS	6	ALLEN WRENCH (M4x60MM - RBW)		1PC
3	SHORT BOLT ( $\Phi 1/4$ " x 45mm - RBW)		2PCS	7	PAN HEAD SCREW ( $\Phi 4$ x 40MM - RBW)		6PCS
4	LOCK WASHER ( $\Phi 1/4$ " - RBW)		10PCS				

### NOTE:

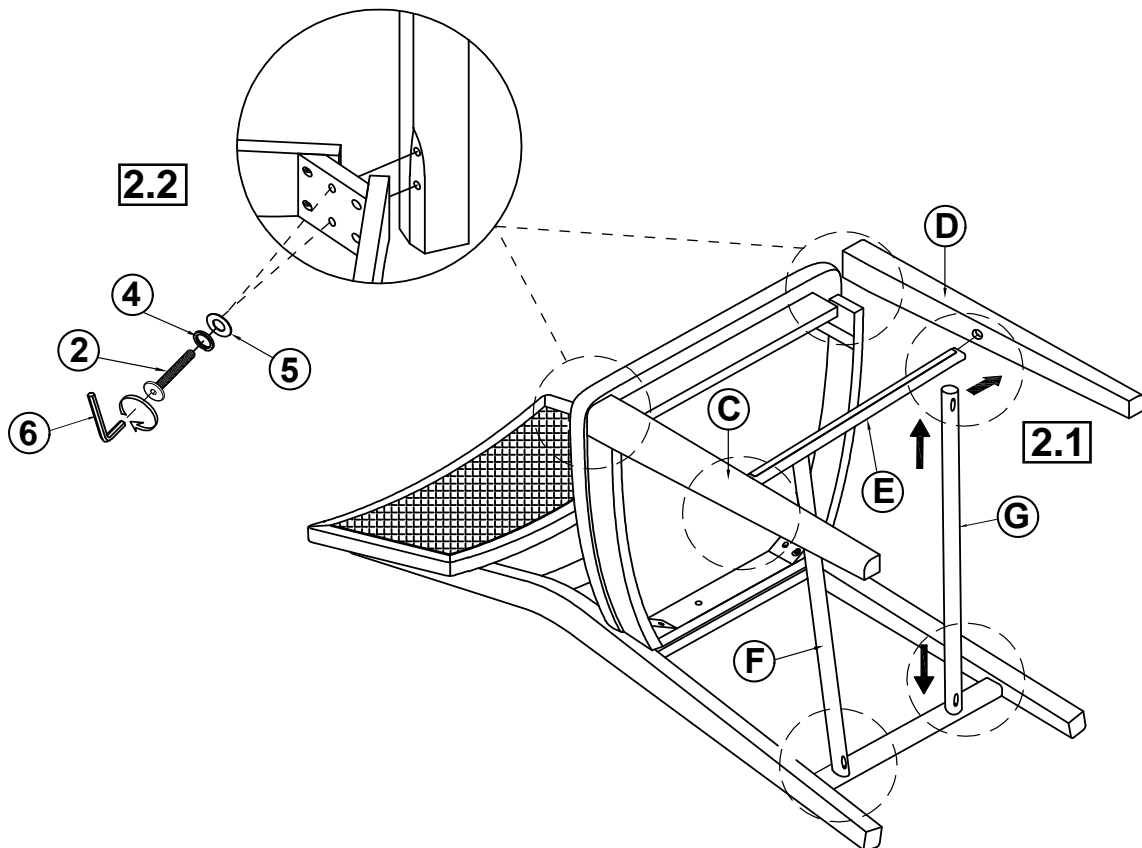
Phillips head screw driver is required in the assembly process; however, manufacturer does not provide this item.

# ASSEMBLY INSTRUCTIONS

## STEP 1

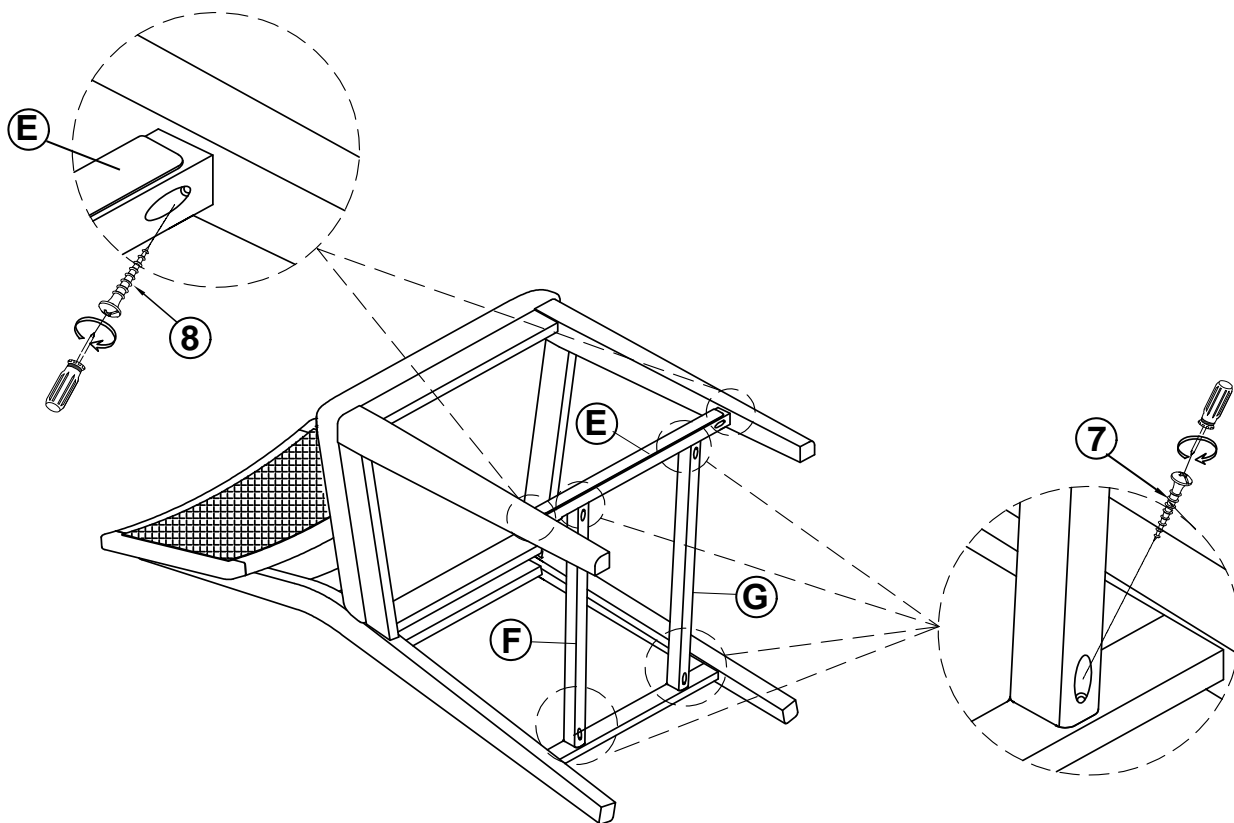


## STEP 2



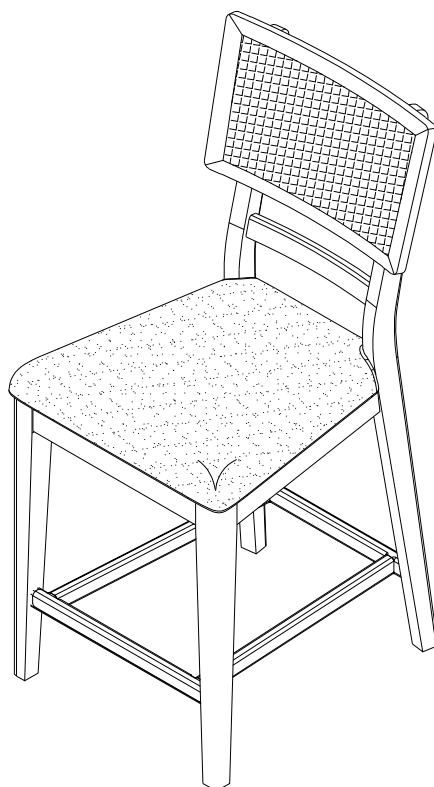
# ASSEMBLY INSTRUCTIONS

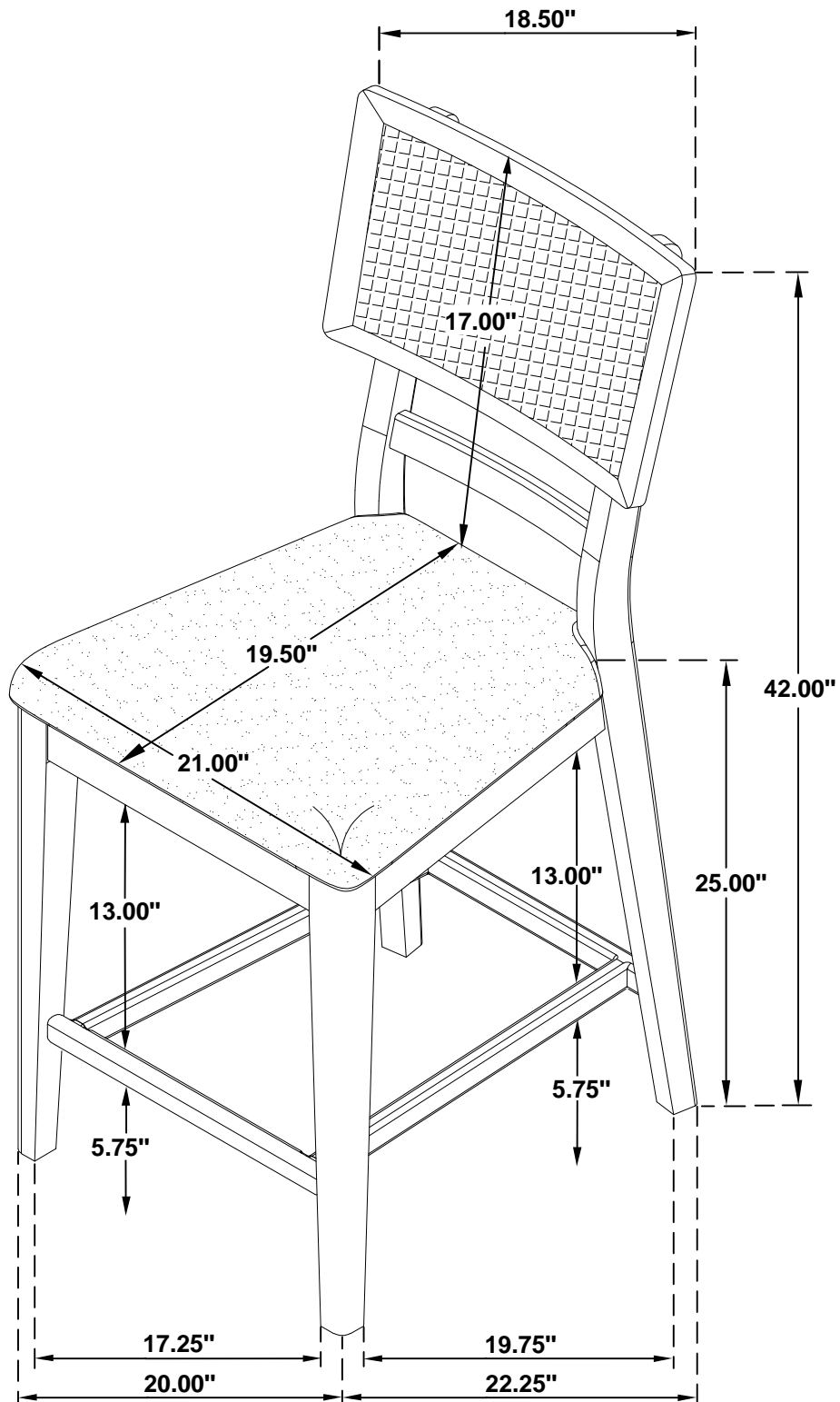
## STEP 3



## STEP 4

### COMPLETE





**Note: Dimension tolerance  $\pm 5\%$**