

Hanging Whiteboard

SKU: PP-WB02

Instruction Manual

Assembly Video & Product Info
www.vivo-us.com/products/pp-wb02



! CAUTION! !

If you do not understand these directions, or if you have any doubts about the safety of the installation, please contact our product support team at 309-278-5303 or help@vivo-us.com for further assistance. Check carefully to make sure there are no missing or defective parts. Improper installation may cause damage or serious injury. Do not use this product for any purpose that is not explicitly specified in this manual. Do not exceed weight capacity. We cannot be liable for damage or injury caused by improper mounting, incorrect assembly or inappropriate use.



WARNING: CHOKING HAZARD

SMALL PARTS - NOT FOR CHILDREN UNDER 3 YEARS. ADULT SUPERVISION IS REQUIRED.

We're Here for You

Open **Monday - Friday 7:00am - 7:00pm CST**, our dedicated support team can offer immediate assistance with rapid response times. If any parts are received damaged or defective, please contact us. We are happy to replace parts to ensure you have a fully functioning product.



Give us a Call:
309-278-5303

AVG. RESOLUTION TIME (*within office hrs*): **5M 4S**



Chat Us:
www.vivo-us.com

AVG. RESOLUTION TIME (*within office hrs*): **< 15 M**

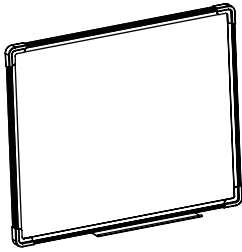


Email Us:
help@vivo-us.com

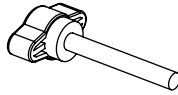
AVG. RESPONSE TIME (*within office hrs*): **1HR 8M**

- 23% within < 15m
- 38% within < 30m
- 61% within < 1hr
- 83% within < 2hr
- 92% within < 3hr

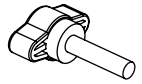
Package Contents



A (x1)
Whiteboard



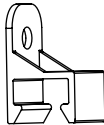
B (x2)
Long Knob



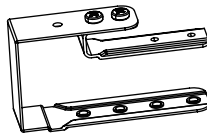
C (x2)
Short Knob



D (x4)
Rubber Sleeve



E (x2)
Latch



F (x2)
Hook



G (x4)
Magnet

Included Hardware



S-A (x2)
Screw

Tools Needed:

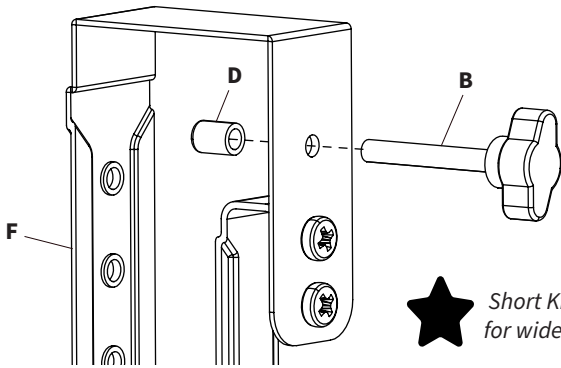


**Phillips
Screwdriver**

ASSEMBLY STEPS

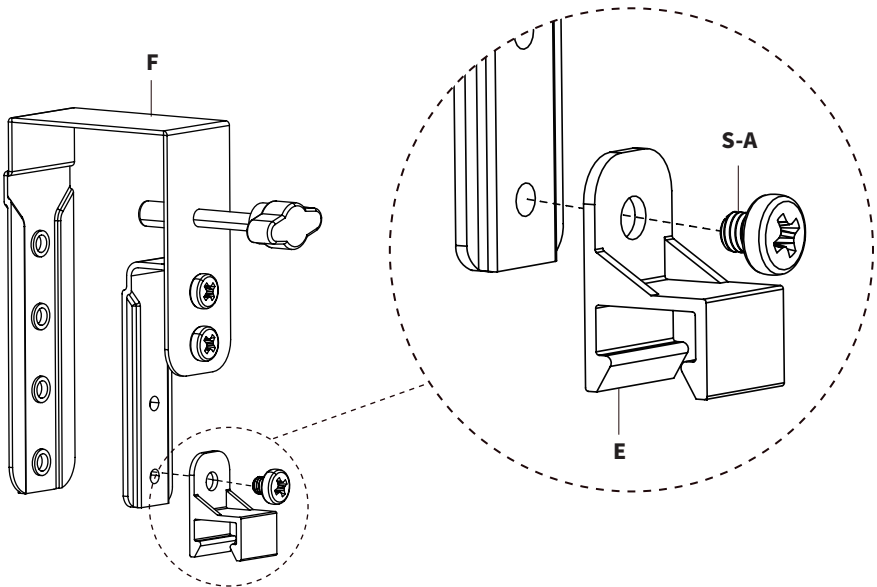
STEP 1

Thread Long Knobs (**B**) into the Hooks (**F**). Place Rubber Sleeves (**D**) on the end of the Knobs.



STEP 2

Attach Latches (**E**) to Hooks (**F**) at the desired mounting position using M6x5mm Screws (**S-A**) and a Phillips screwdriver.

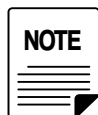
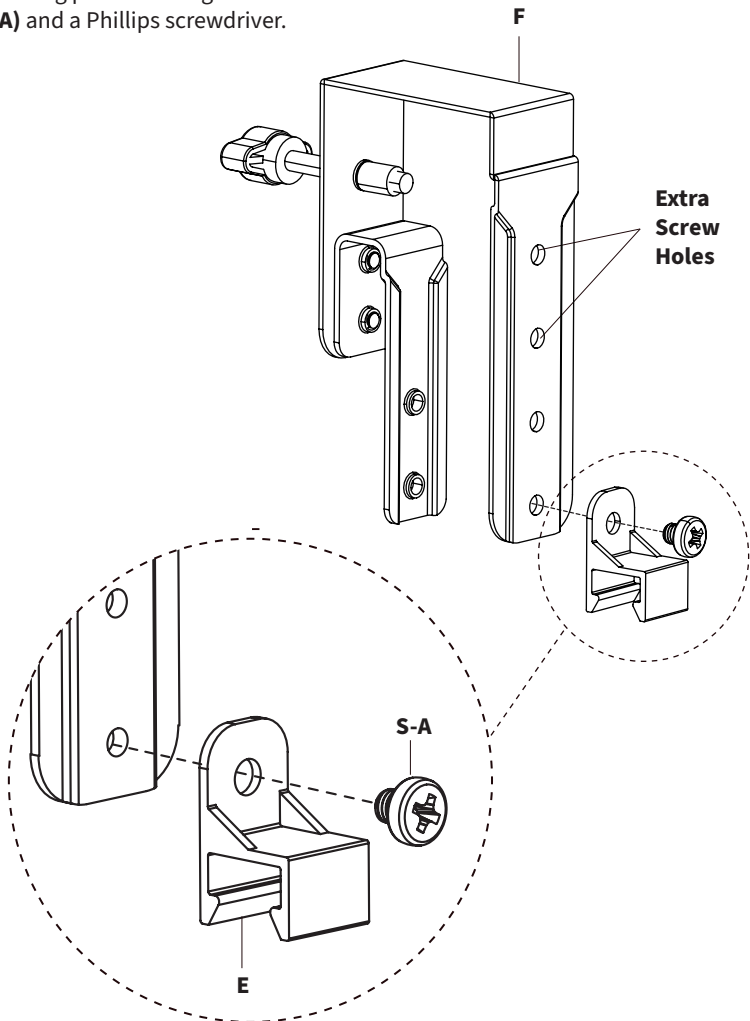


ALTERNATIVE ASSEMBLY

Need The Whiteboard Higher Up?

Follow the instructions below for two additional Whiteboard positions that are closer to the top of your mounting surface.

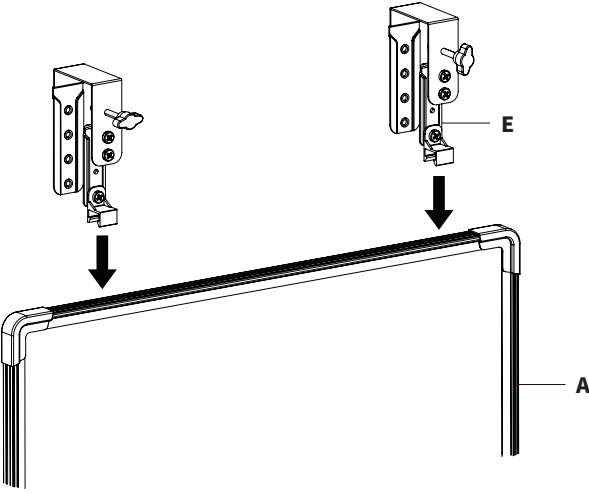
Attach Latches (**E**) to side of Hooks (**F**) that have four **Screw Holes**, at the desired mounting position using M6x5mm Screws (**S-A**) and a Phillips screwdriver.



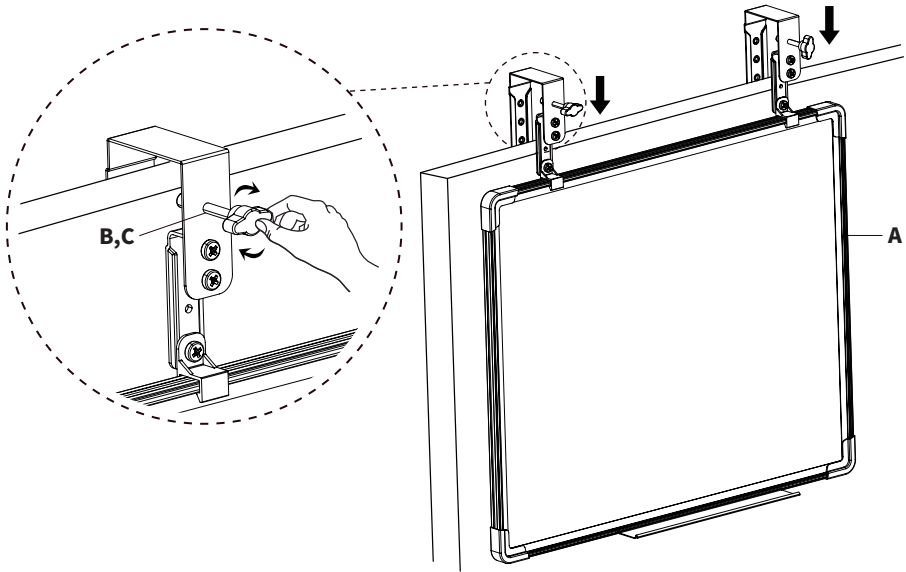
Manual will proceed with **Standard Assembly**, which will also apply to the Alternative Assembly.

STEP 3

Connect Latches (E) to the top of the Whiteboard (A).

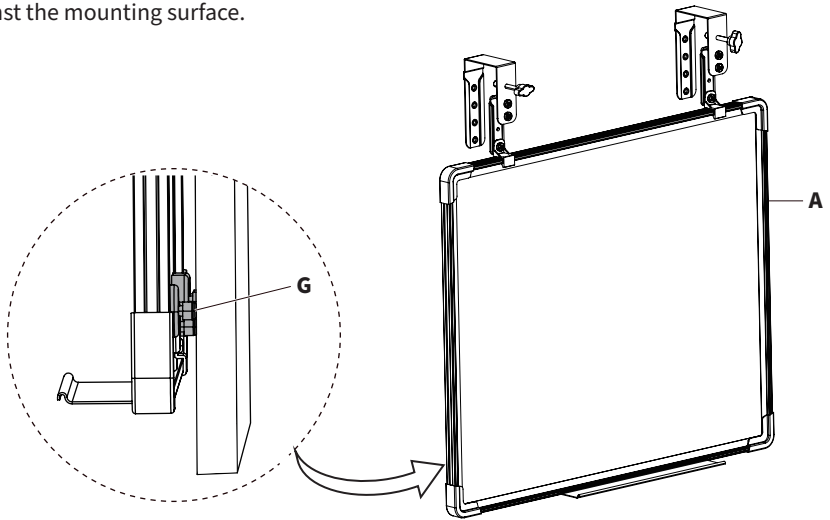


Clamp Whiteboard (A) to the desired mounting location by tightening Knobs (B,C).



STEP 4

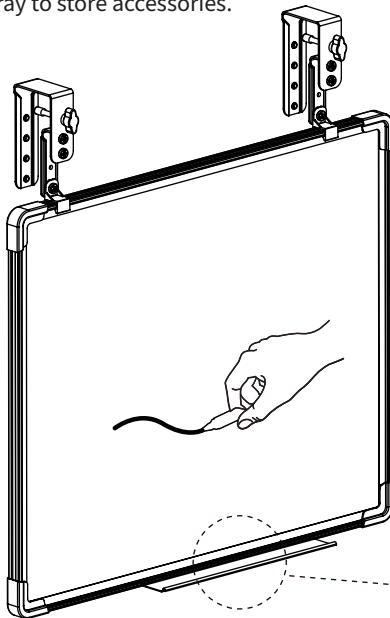
Attach Magnets (**G**) to the back of the Whiteboard (**A**) to stabilize it against the mounting surface.



★ Magnets have soft-tip screws that can be adjusted to stabilize the whiteboard.

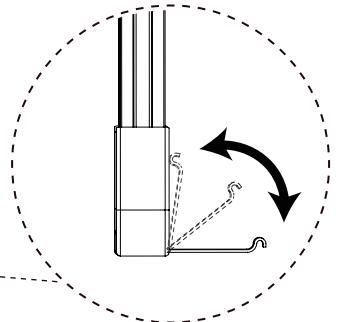
STEP 5

Use Tray to store accessories.



Remove Protective Cover Before Use

Peel off protective cover on the Whiteboard surface before use.





Need Help? Get In Touch

Monday-Friday from 7:00am-7:00pm CST



help@vivo-us.com



www.vivo-us.com

Chat live with an agent!



309-278-5303



VIVO-us @vivo_us

FOR MORE GREAT VIVO PRODUCTS,
CHECK OUT OUR WEBSITE AT: WWW.VIVO-US.COM