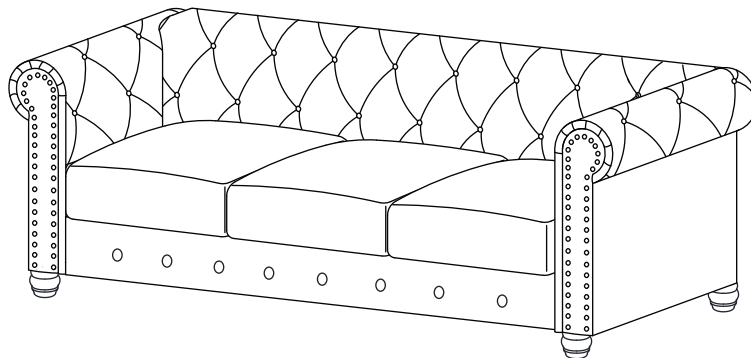


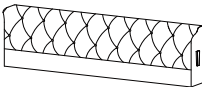
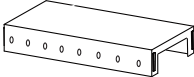

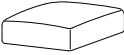
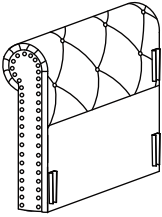
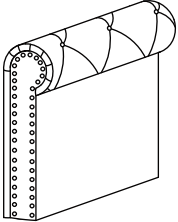
# ASSEMBLY INSTRUCTIONS

## SOFA

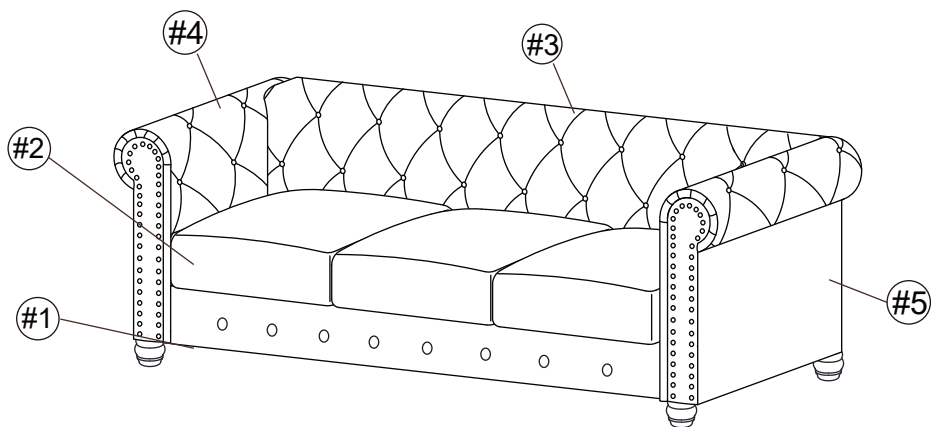
---



SOFA is packed in 3 cases

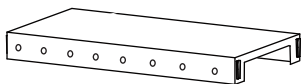
Carton	Disignation	Part	Hardware
SF-1	Backrest	#3 	
SF-2	Seat frame	#1 	 #A x 4pcs
	Seat cushion	#2 	
ARM	Left arm	#4 	
	Right arm	#5 	

# ASSEMBLY INSTRUCTIONS



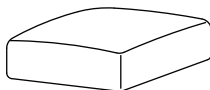
## PARTS

#1 1pc



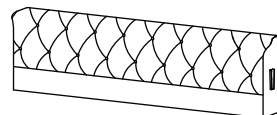
SEAT FRAME

#2 3pcs



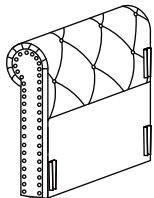
SEAT CUSHION

#3 1pc



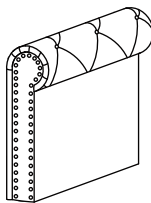
BACKREST

#4 1pc



LEFT ARM

#5 1pc



RIGHT ARM

## HARDWARE

#A 4 pcs

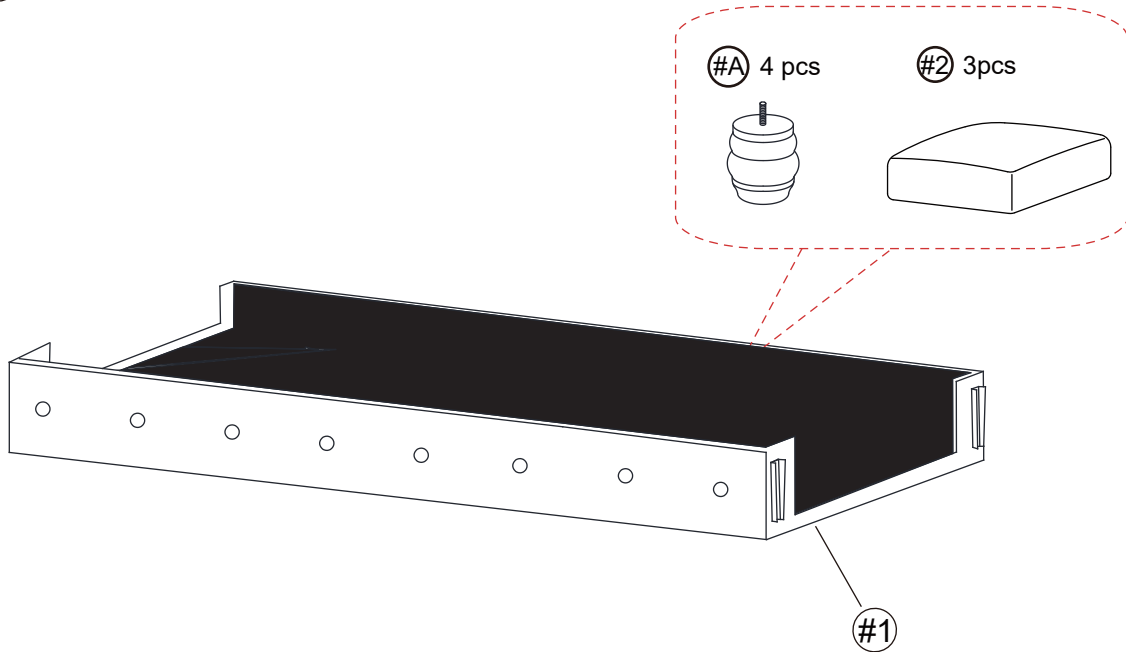


WOODEN LEG

# ASSEMBLY INSTRUCTIONS

1

Part #1 x1pc

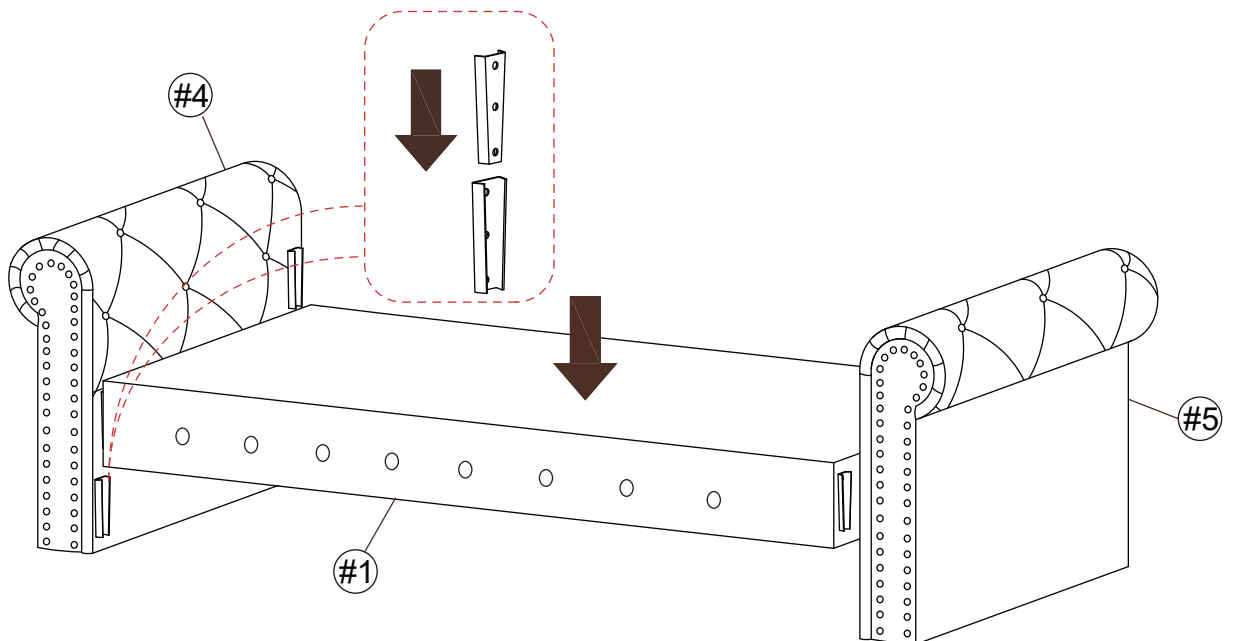


2

Part #4 x1pc

Part #5 x1pc

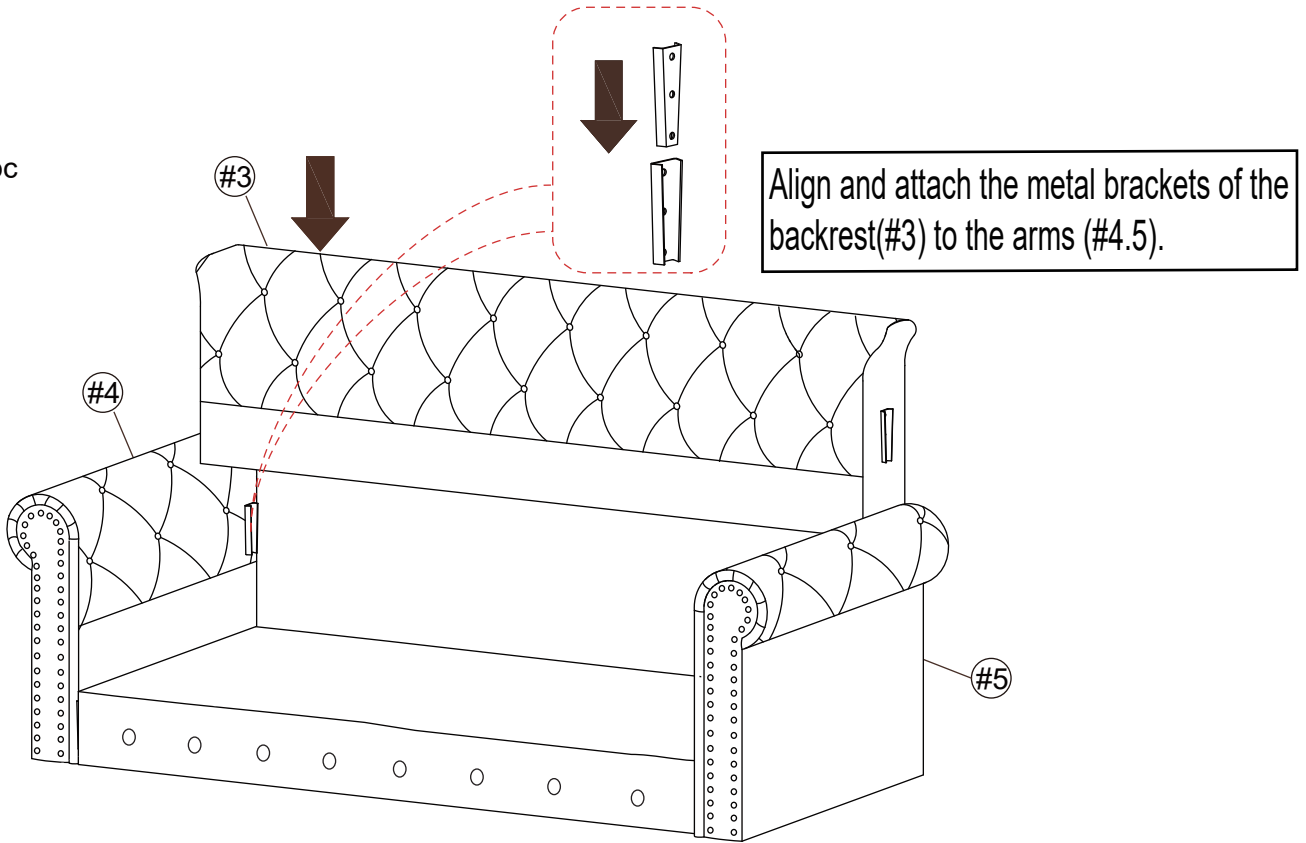
Align and attach the metal brackets of the seat (#1) to the arms (#4.5).



# ASSEMBLY INSTRUCTIONS

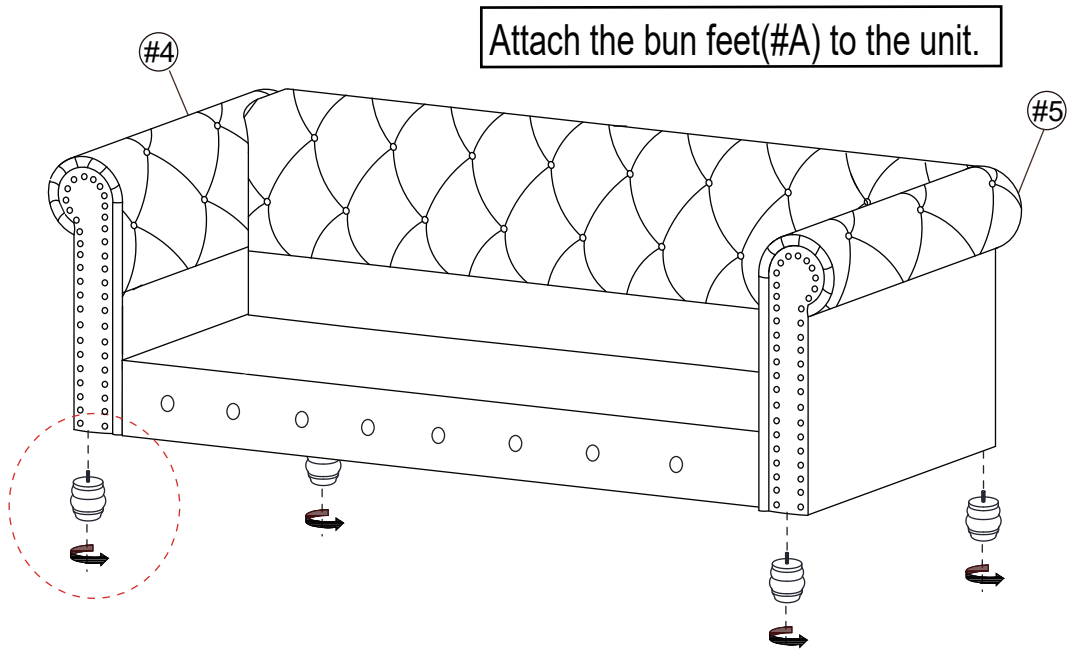
3

Part #3 x1pc



4

Hardware #A x4pcs

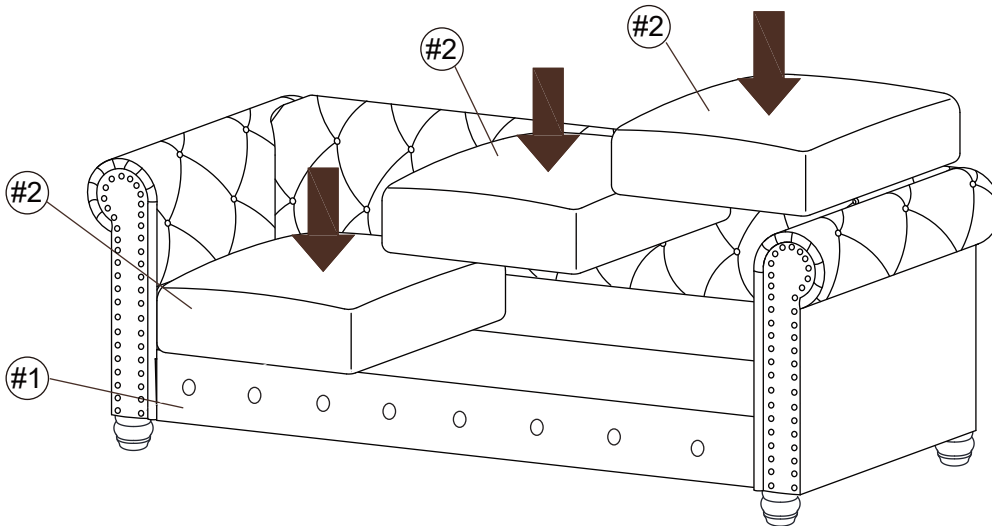


# ASSEMBLY INSTRUCTIONS

## 5

Part #2 x3pcs

Put the cushion(#2) on the seat(#1).



## ASSEMBLY COMPLETED



Please ensure the furniture rests on an even and flat surface. If the product wobbles or feels loose, double-check all bolts and/or screws are properly tightened and secured.



### Keep this handy!

Please retain this instruction manual and any order-related information for future reference.



### Lift, don't drag!

To avoid damage to product please always LIFT the product when transporting or adjusting the placement.