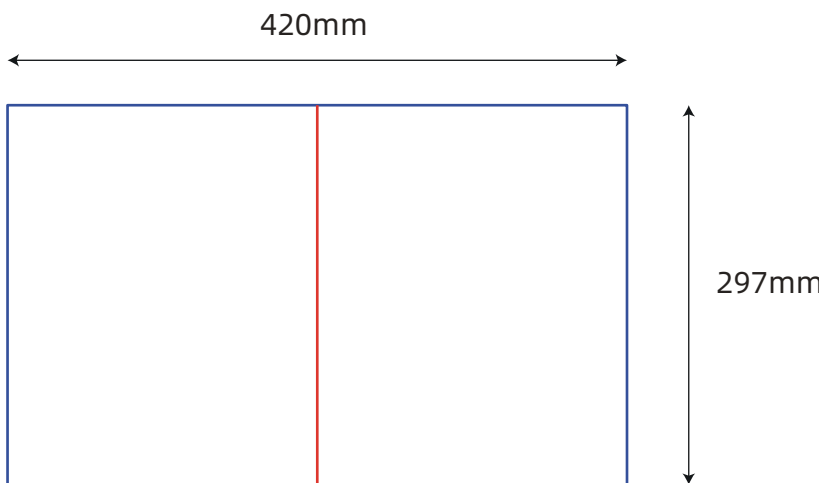


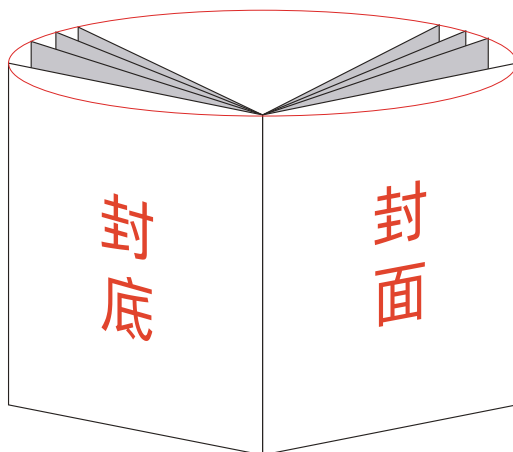
注：此页为技术说明，非印刷内容

A
刀模线：——
内折线：——

展开尺寸图：



C
装订效果图：



D
技术要求：
1、材质：封页105g 铜板纸；内页80g双胶纸
2、展开尺寸：A3，如图所示装订成型为A4，24P
3、颜色：单色
4、印刷：印刷图档见后续页，双面印刷
5、装订方式：骑马订

符号标识
版本变更
关键尺寸
编号
参考尺寸

除非另有说明 0-30 ±1 30-150 ±2 150-300 ±3 300-450 ±4 >450 ±5	标记	处数	ECO#	发行时间	名称 AMBAV01-MV-说明书-YNMS 图号	PLM号	860-04332-00		
	设计			PM		投影法	第一角投影法		
	绘图	Zoey		日期	25.10.31		版本	重量G	比例
	审批	Tansy		日期			V1		
	除去所有利边，尖点，毛刺						材料	共25页 第1页	
					规格	倍思奇创新科技（深圳）股份有限公司			

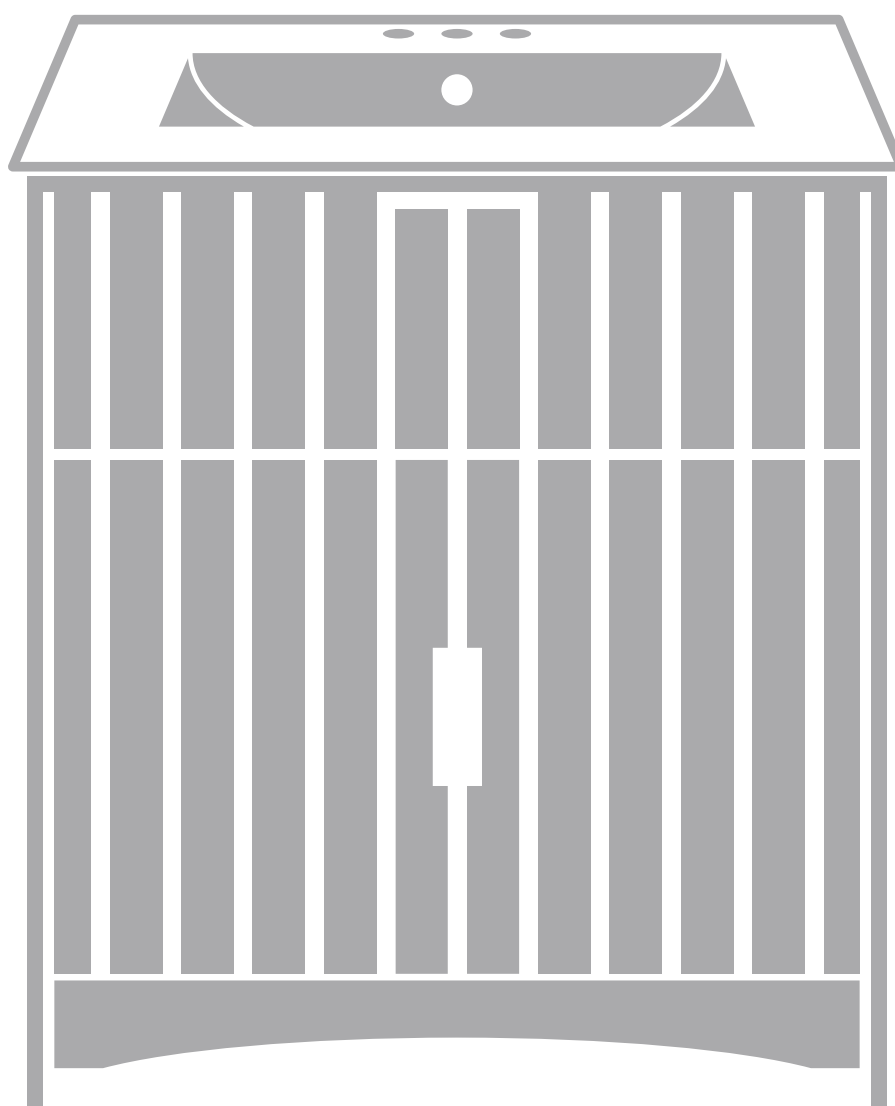
1

2

3

4

AMBAV01-MV



support@bsqworld.com

IMPORTANT SAFETY INFORMATION

- PLEASE READ THE ENTIRE INSTRUCTION MANUAL BEFORE BEGINNING INSTALLATION.
- IF THIS MANUAL DOES NOT MATCH YOUR INSTALLATION, PLEASE CONTACT US.



WARNING



The product is intended for indoor use only. The product must be assembled and used in accordance with the provisions of the manual. Personal injury and/or damage to the product may occur if products are used outside of their intended purposes and/or if products have been changed/modified from their original design. The seller does not assume any responsibility or liability with respect to any injury/damage caused by incorrect assembly or improper use.



Before starting assembly, verify that all parts are included and undamaged. Do not use damaged or defective parts. If you require replacement parts, please call technical support or email customer service.



To avoid potential damage to the product and flooring during assembly, use a blanket or underlayment to lay out parts.



Assembly and maintenance must be performed by adults only.

Keep children and pets away during assembly.

Do not allow your children to climb or hang on the vanity, which may cause a tip-over accident.



Wear gloves during the assembly and/or disassembly process.



Periodically inspect screw tightness after assembly. If necessary, retighten to ensure structural integrity.



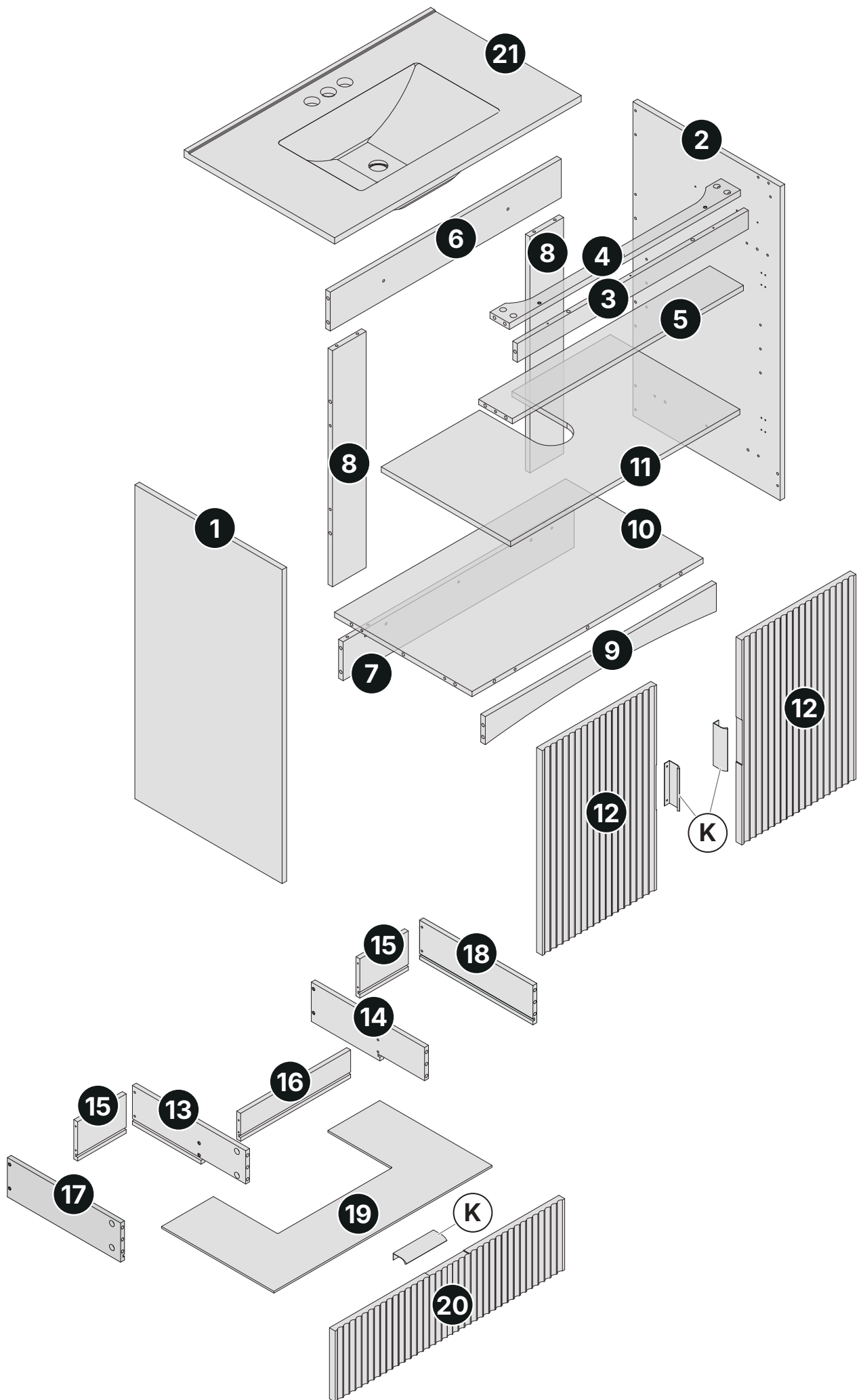
Do not exceed the Max Load. Doing so may cause instability and tip-over, resulting in serious injury and/or death.

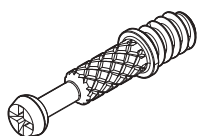
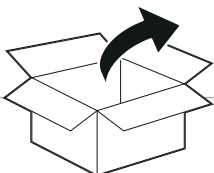
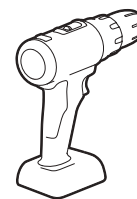
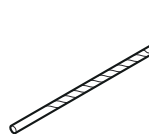
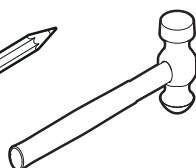
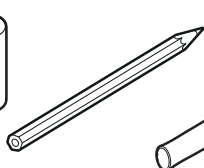
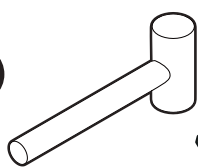
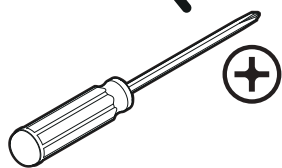
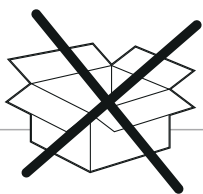


Consult plumbing professional for specific installation questions and consult local codes as applicable.

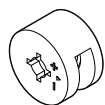
This product is designed to be installed against a permanent wall structure and must be securely attached to wood studs and solid concrete.

Use only through-wall plumbing fixtures designed for single-hole or 3-hole, 4" centerline faucets.

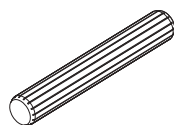




Ø6 x 34mm
(A) x 44



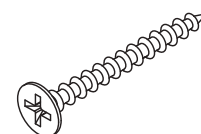
Ø15 x 9.5mm
(B) x 44



Ø6 x 30mm
(C) x 30



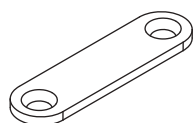
Ø3.5 x 12mm
(D) x 24



Ø4 x 35mm
(E) x 15



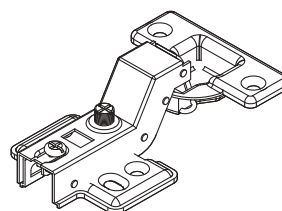
Ø4 x 15mm
(F) x 24



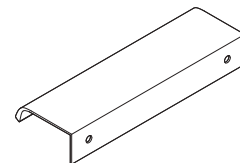
(G) x 4



(H) x 4



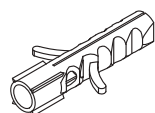
(I) x 4



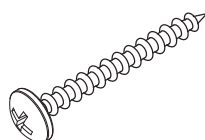
(J) x 3



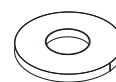
(K) x 4



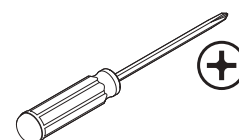
Ø8 x 40mm
(L) x 2



Ø5 x 55mm
(M) x 2

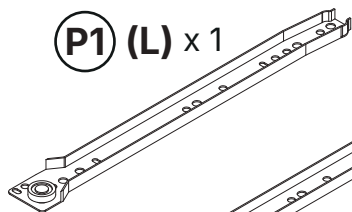


2.5m
(N) x 1

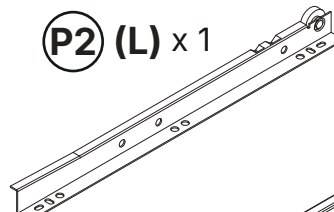


Ø5mm
(O) x 1

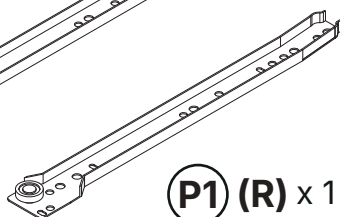
(P1 (L)) x 1



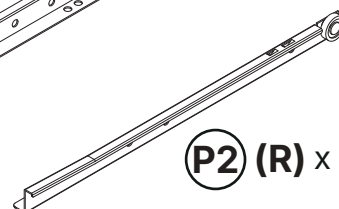
(P2 (L)) x 1



(P1 (R)) x 1



(P2 (R)) x 1



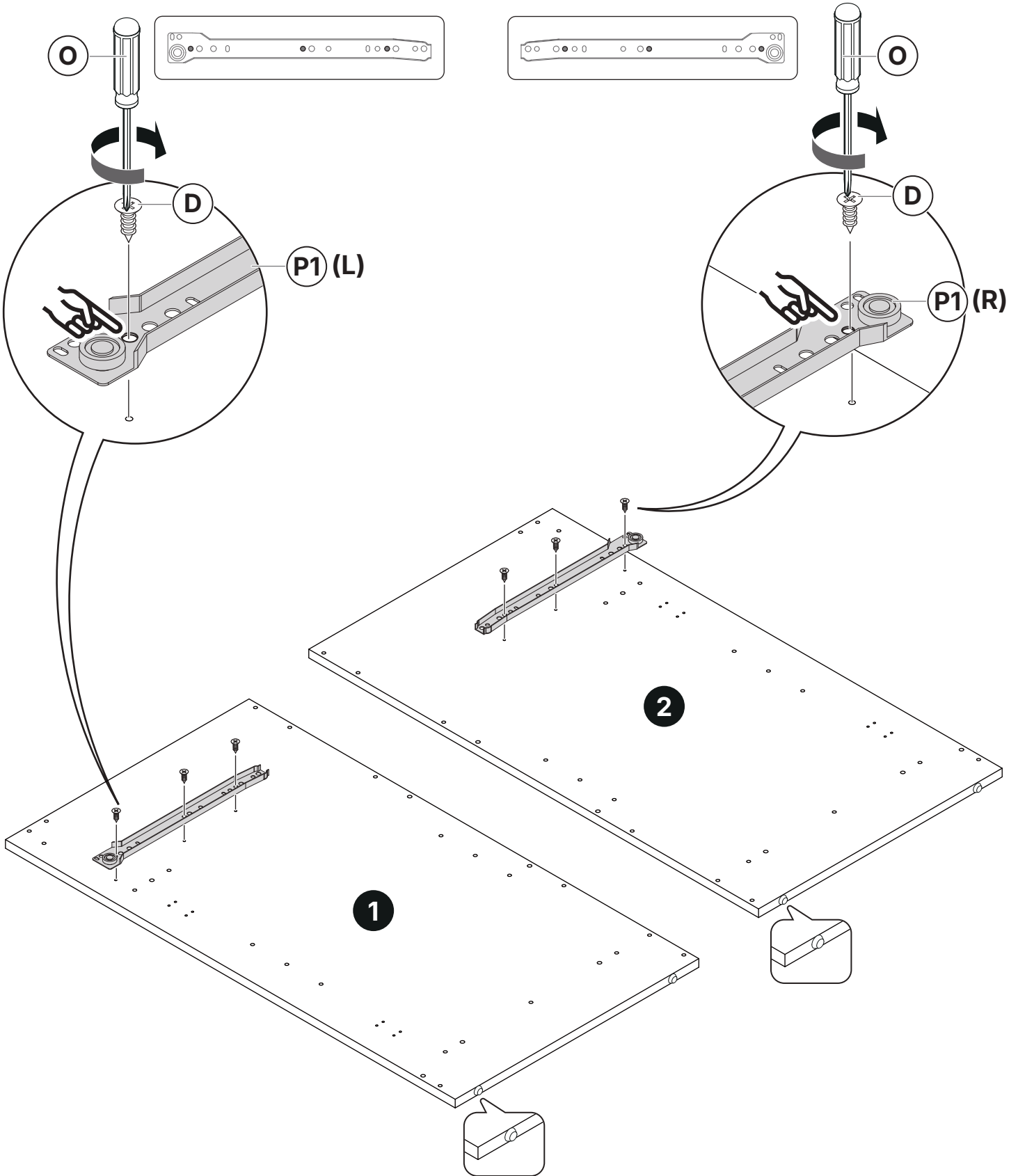
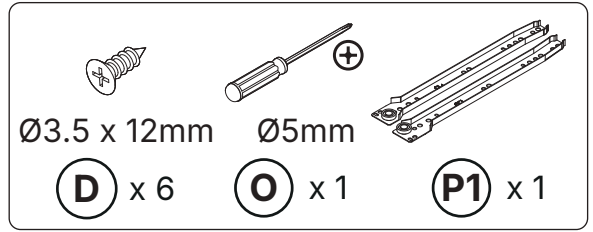
(P) x 1



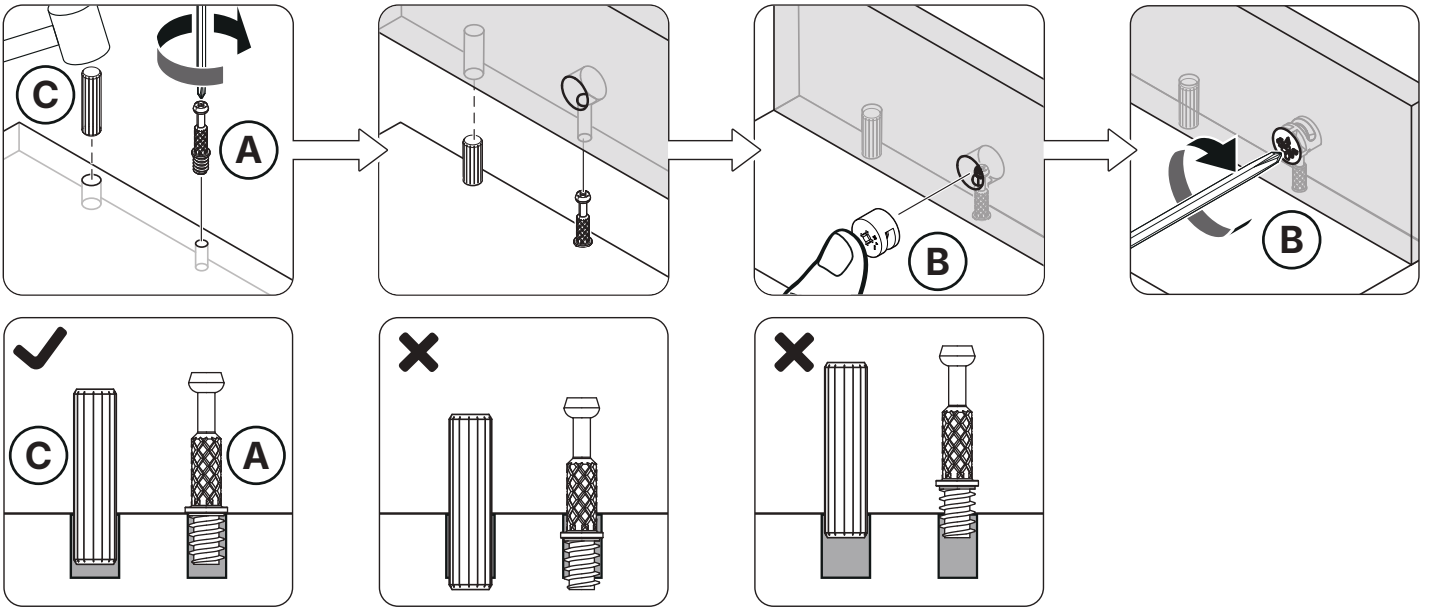
1



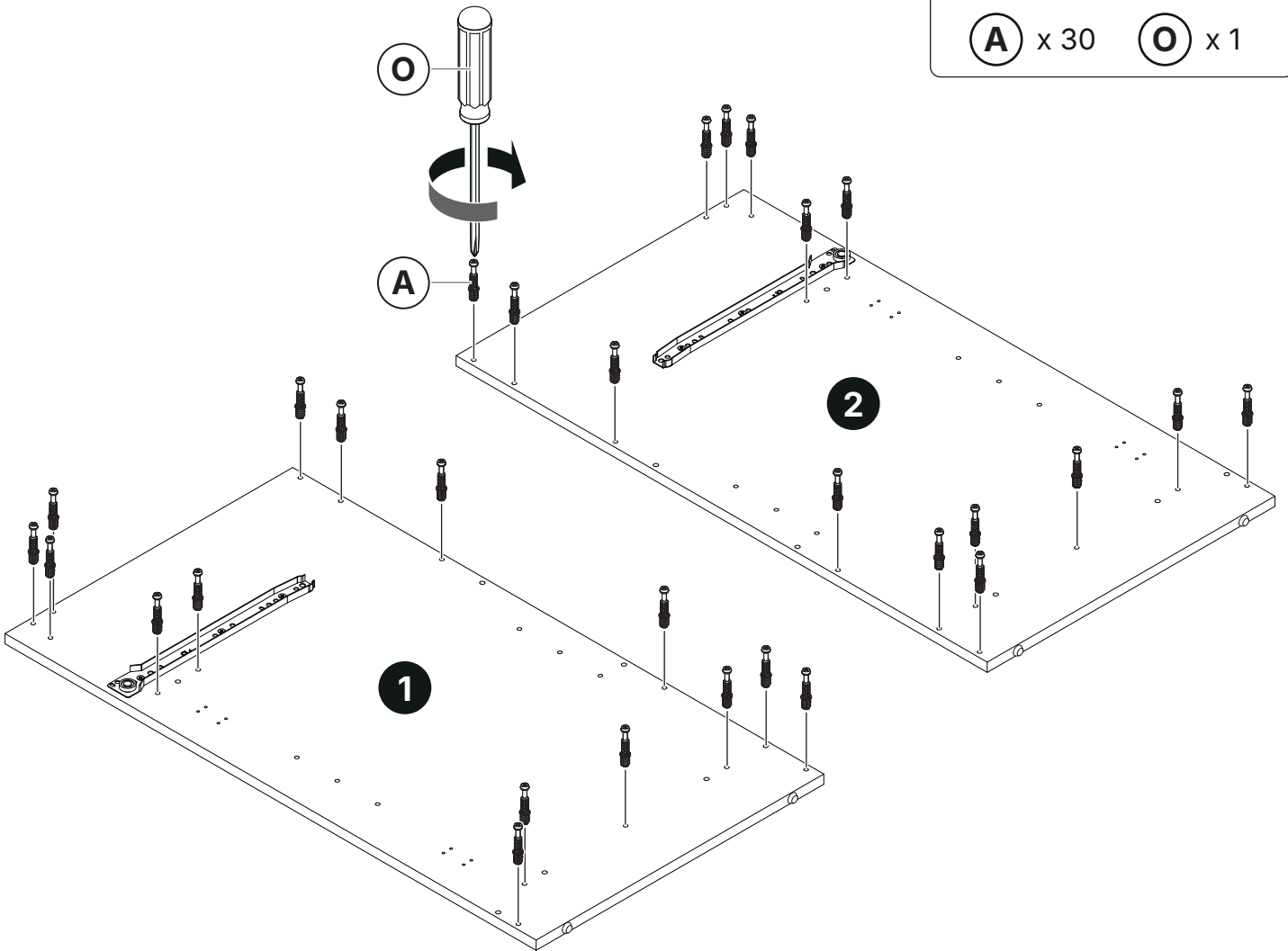
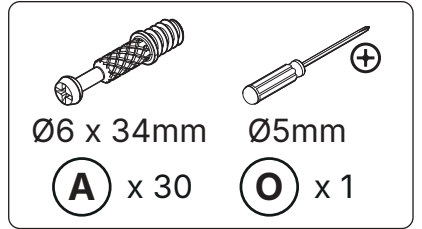
Note: Fully tighten screws to avoid loose drawer and ensure smooth movement.



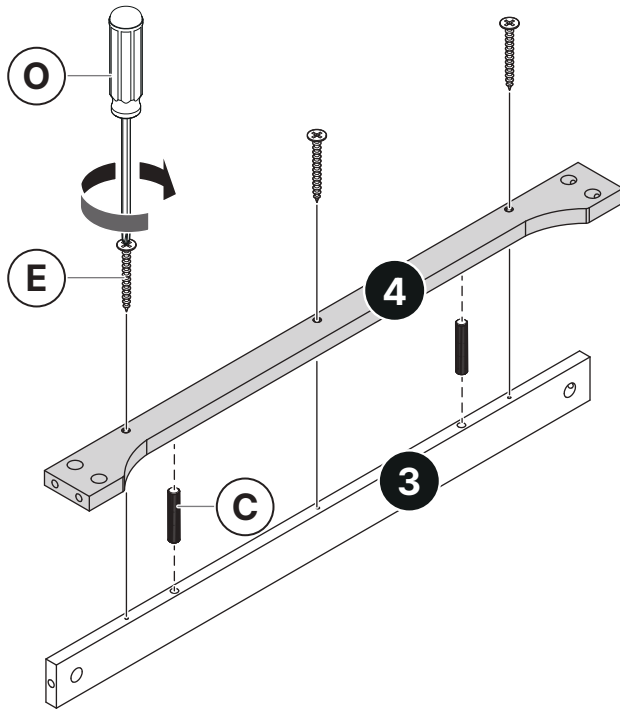
Installation Guide

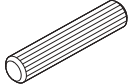
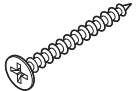
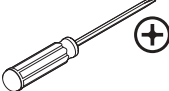


2

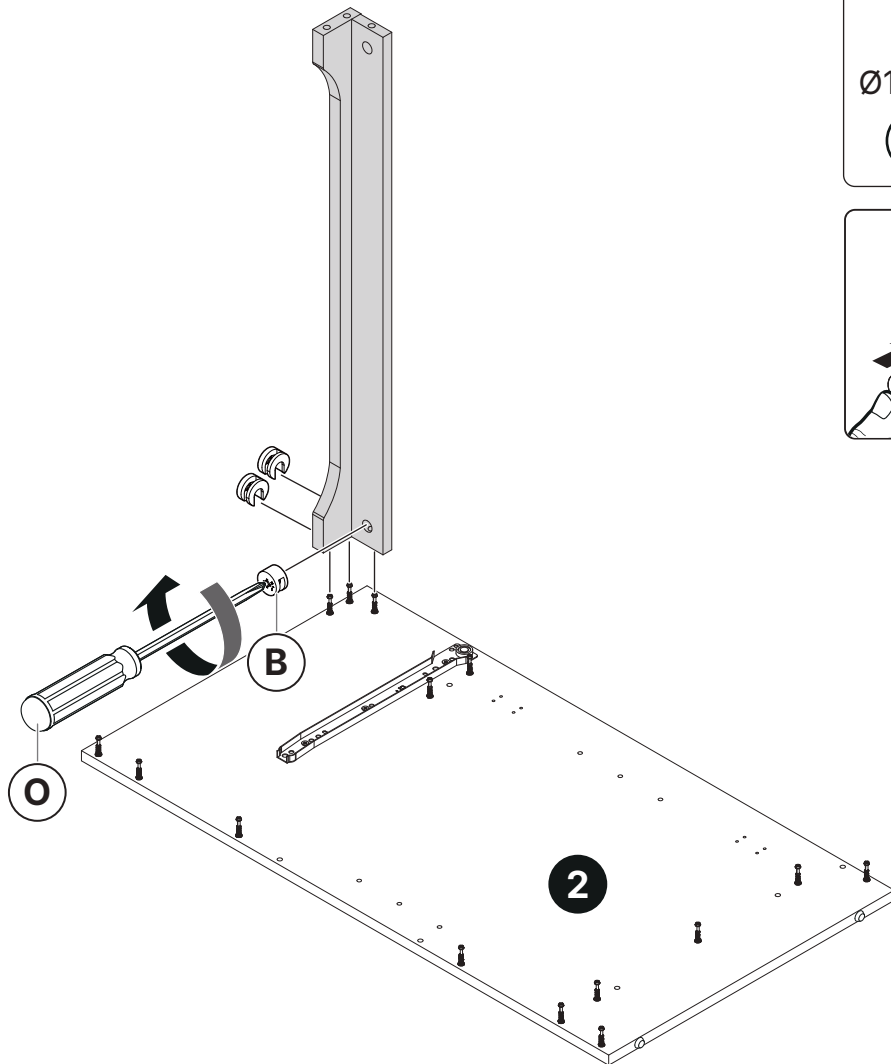



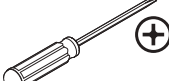
3

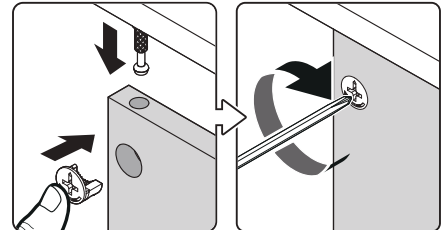


		
Ø6 x 30mm	Ø4 x 35mm	Ø5mm
(C) x 2	(E) x 3	(O) x 1

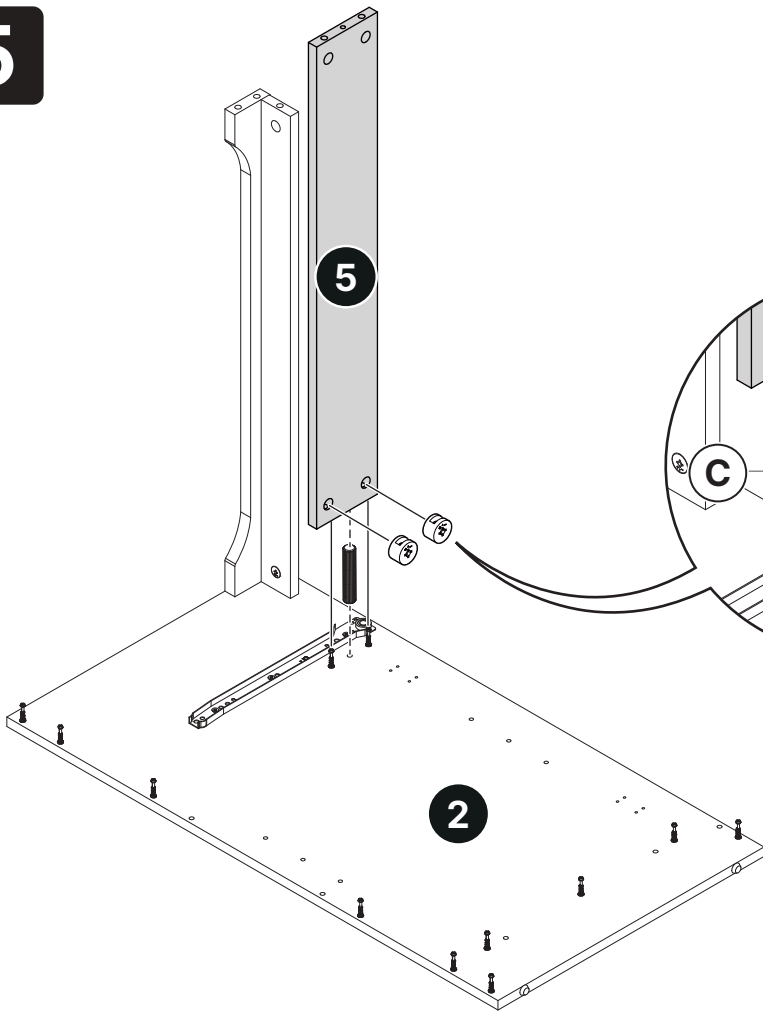
4



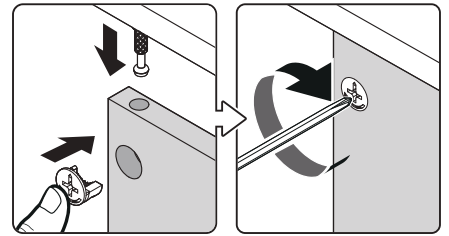
	
Ø15 x 9.5mm	Ø5mm
(B) x 3	(O) x 1



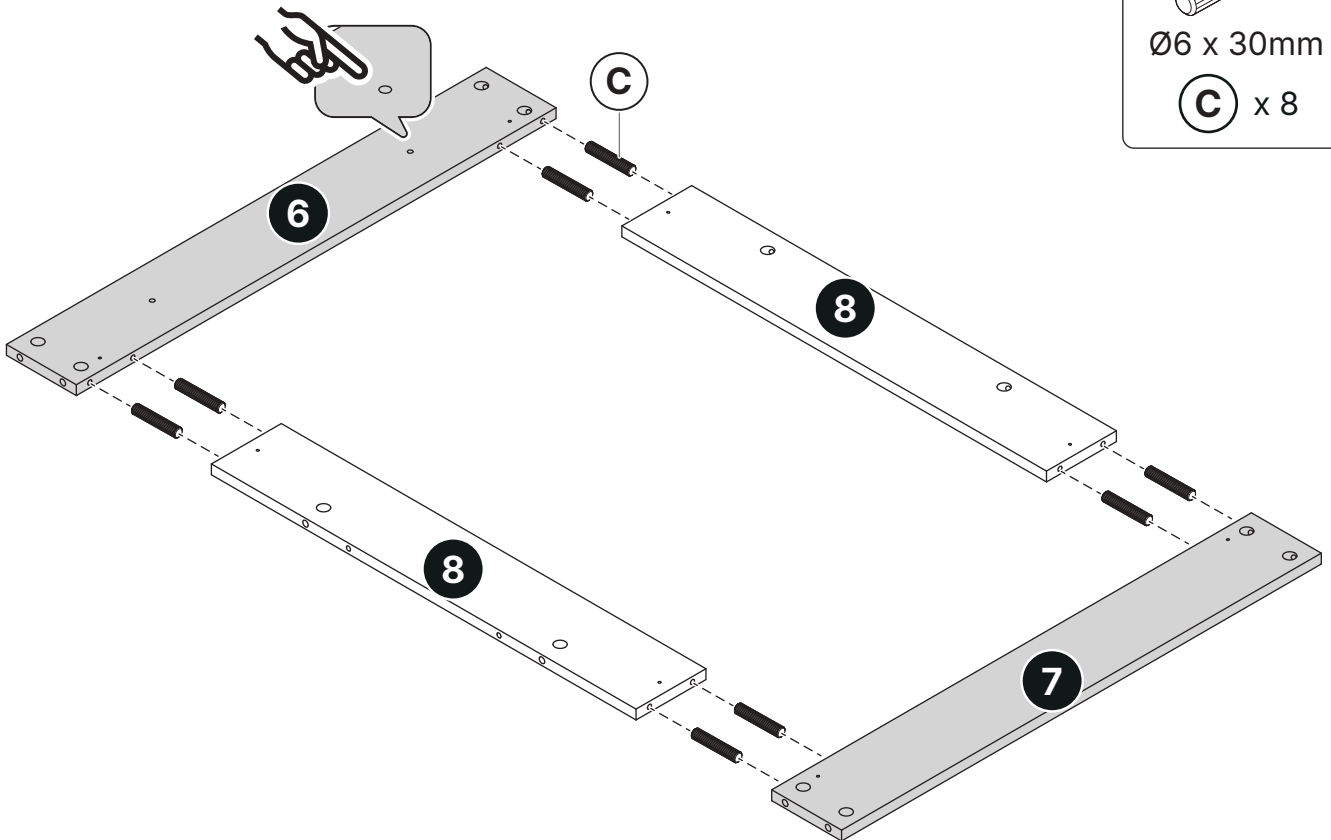
5



Ø15 x 9.5mm Ø6 x 30mm Ø5mm
(B) x 2 **(C)** x 1 **(O)** x 1

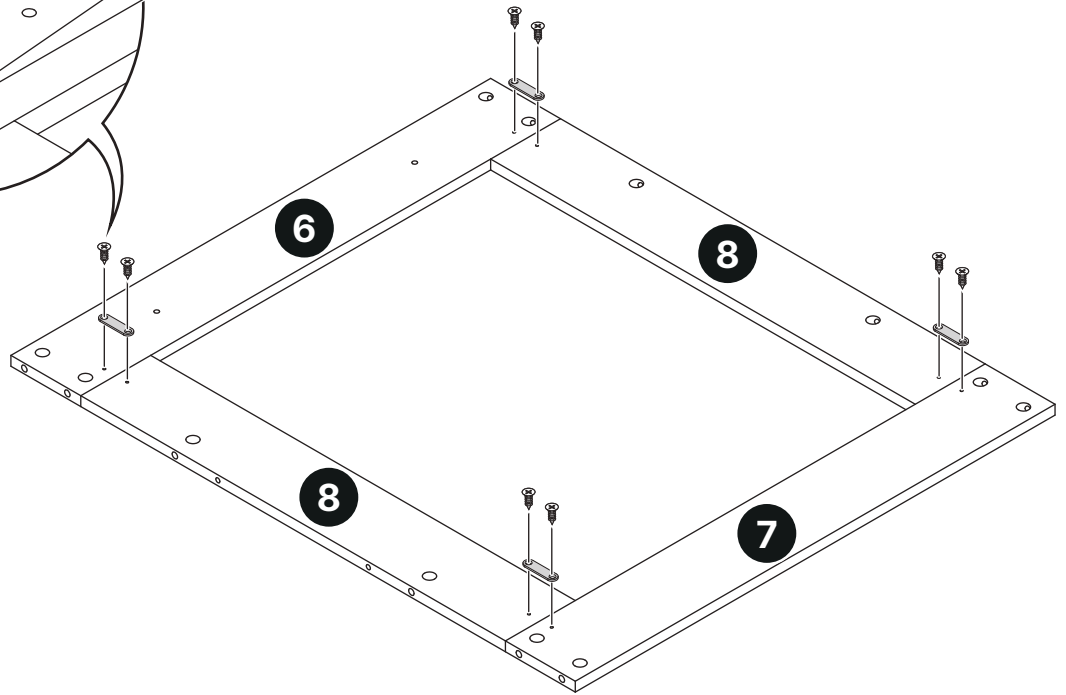
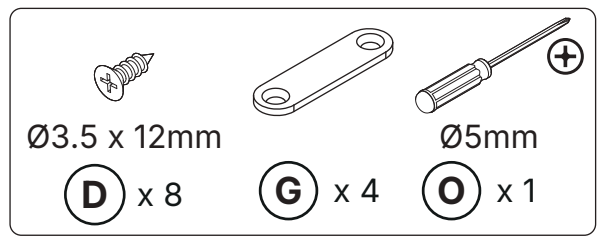
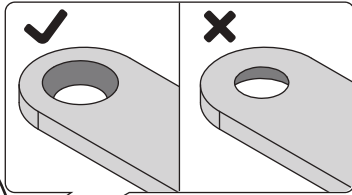
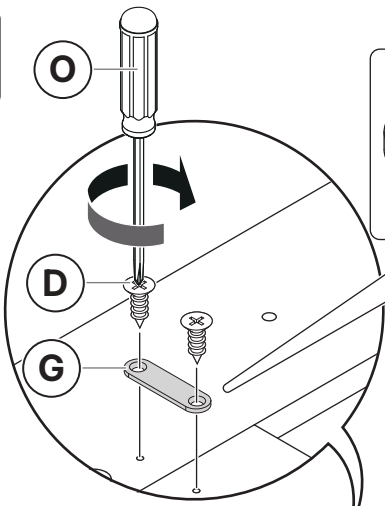


6

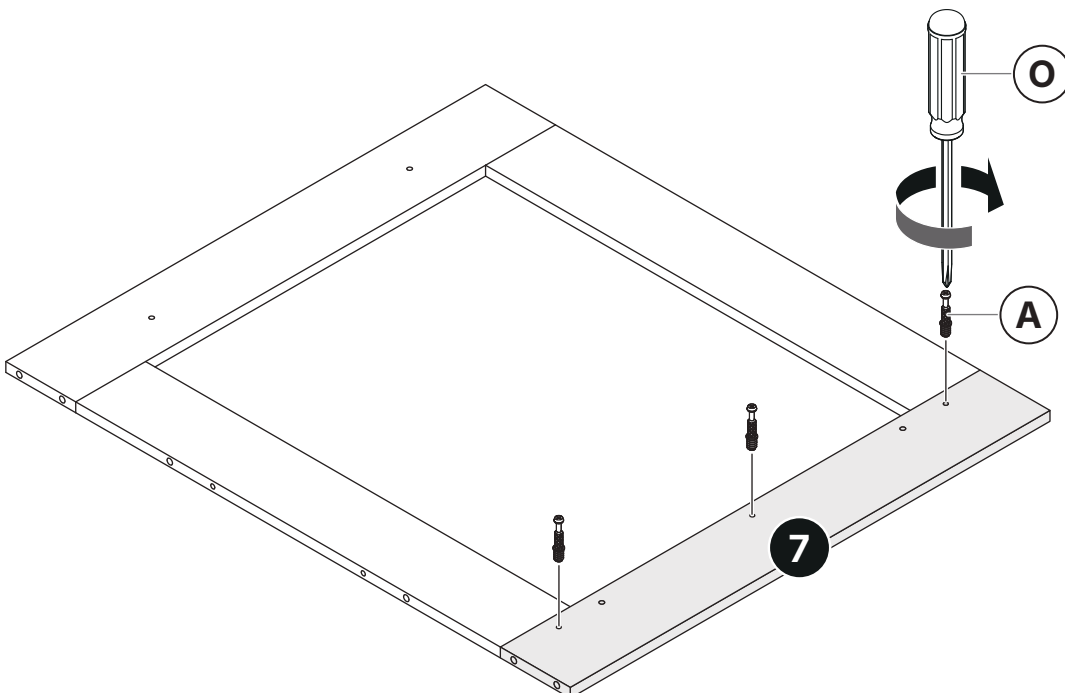
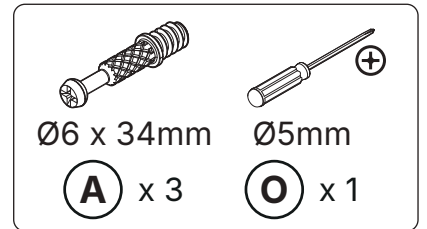
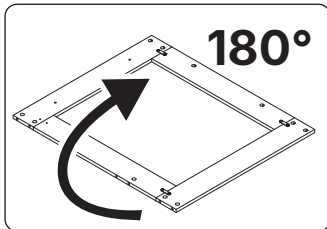


Ø6 x 30mm
(C) x 8

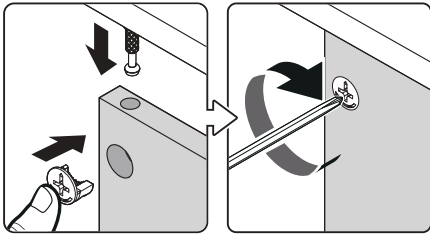
7



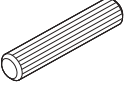
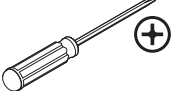


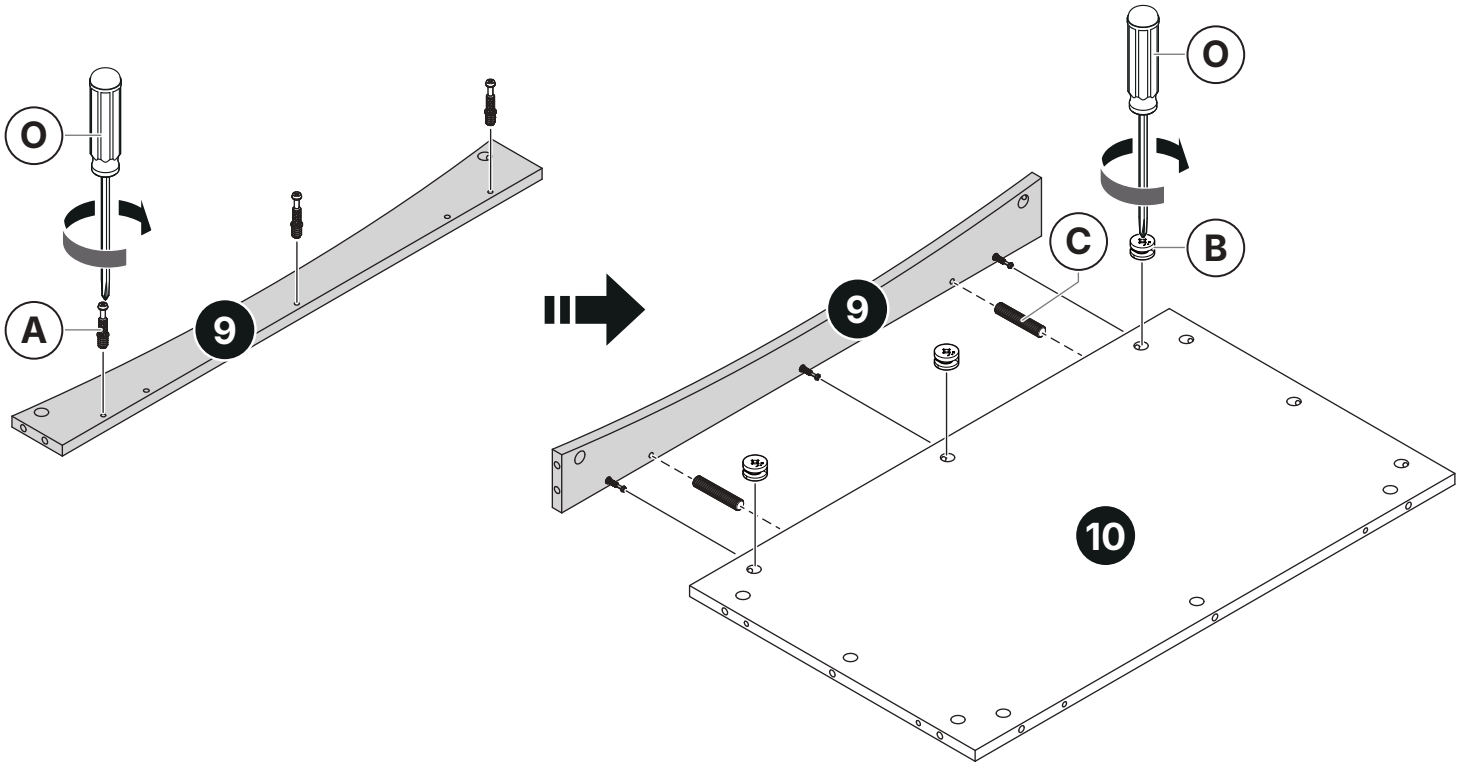
8



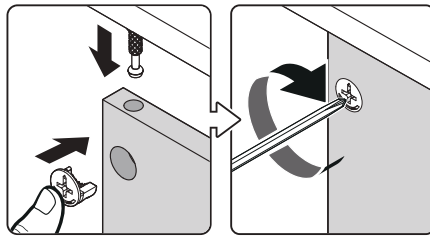
9


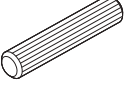
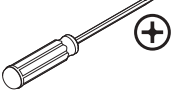


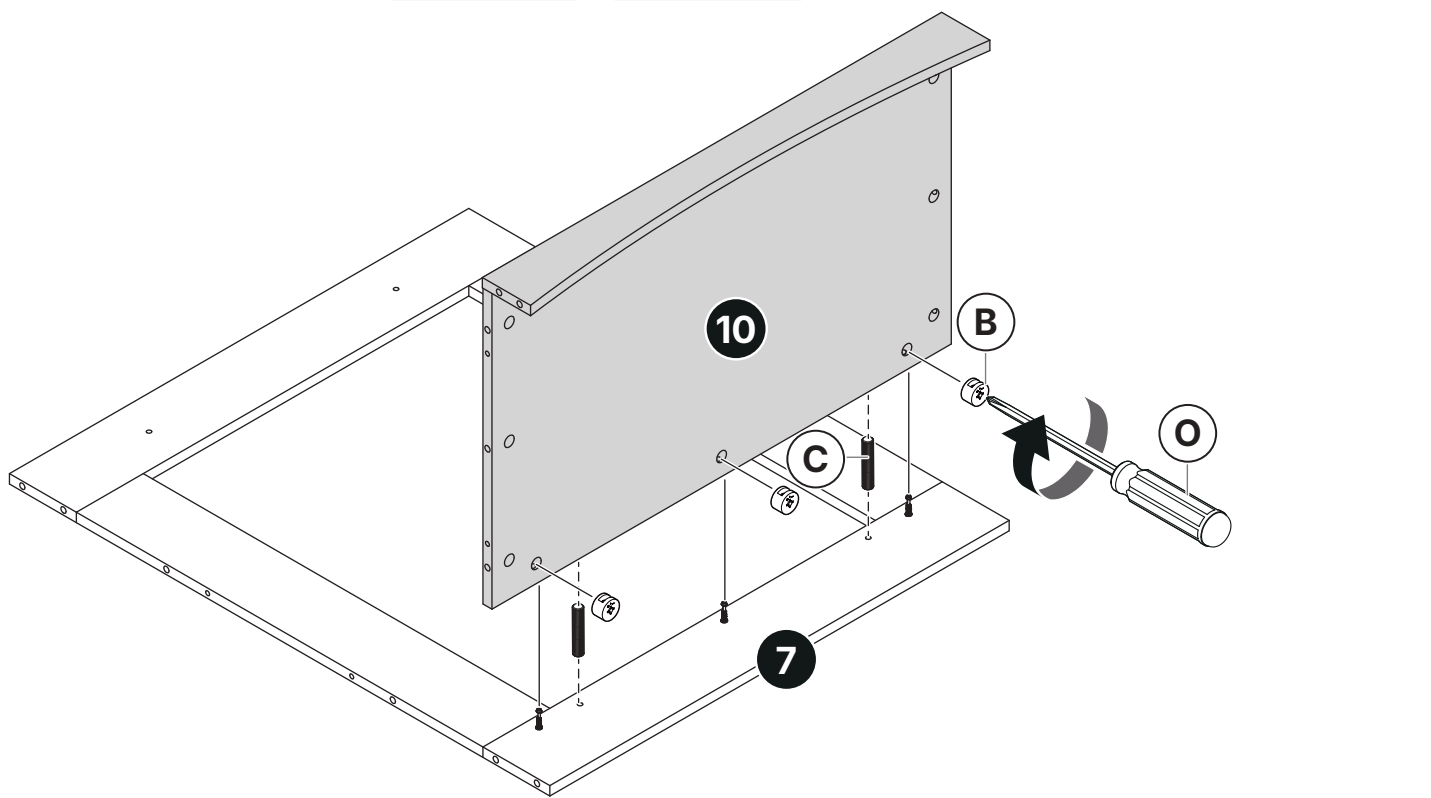
			
Ø6 x 34mm	Ø15 x 9.5mm	Ø6 x 30mm	Ø5mm
(A) x 3	(B) x 3	(C) x 2	(O) x 1



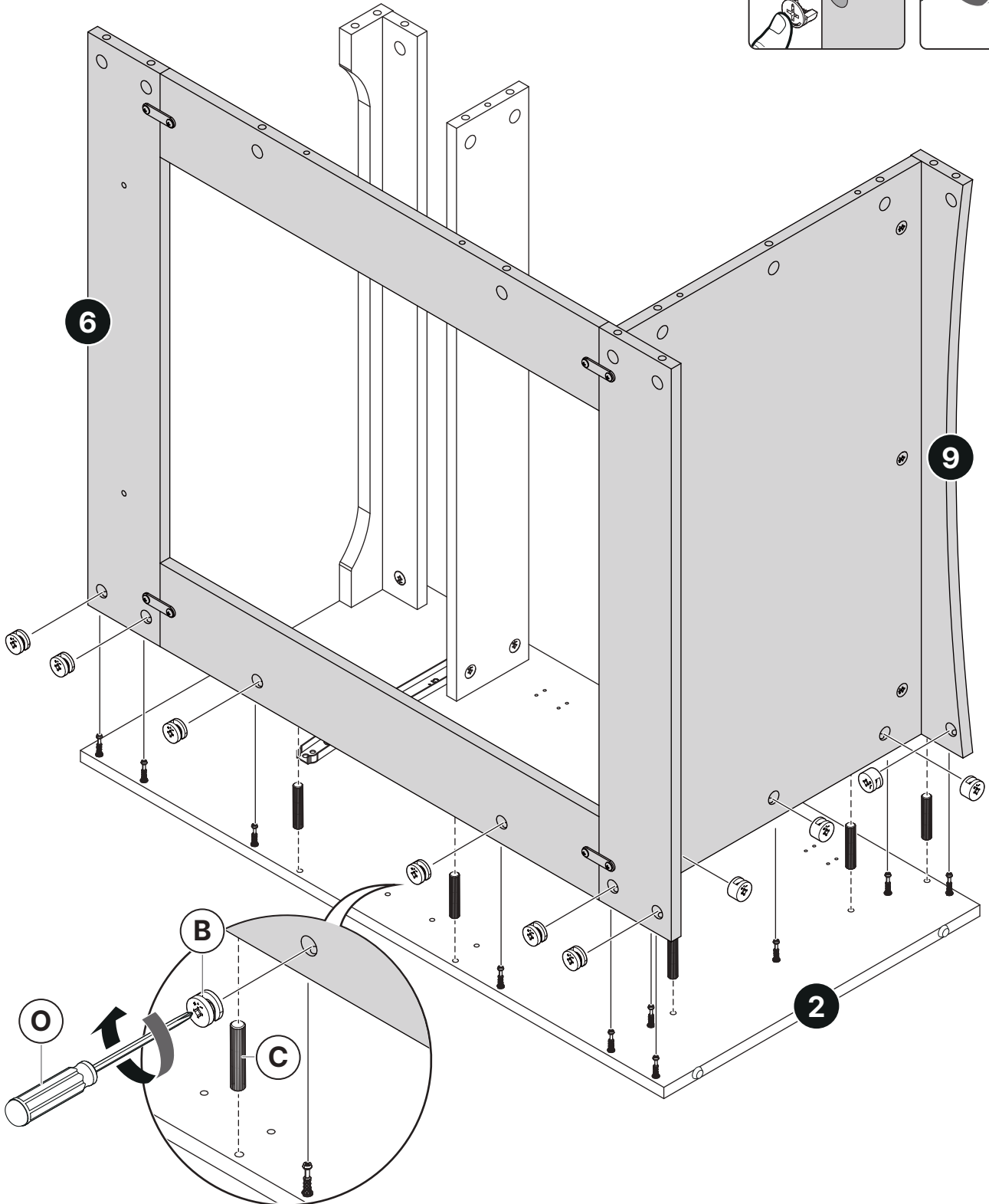
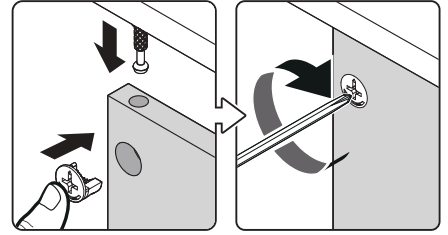
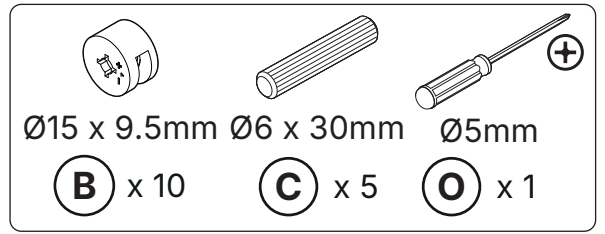
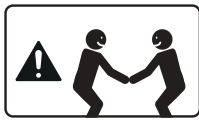
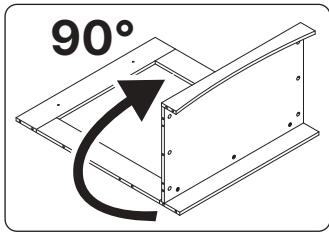
10



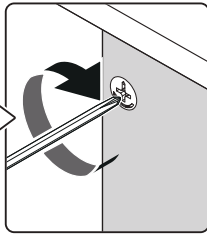
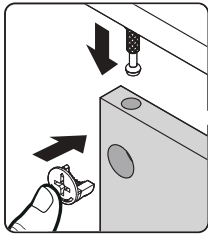
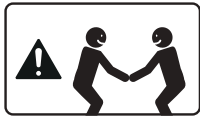
		
Ø15 x 9.5mm	Ø6 x 30mm	Ø5mm
(B) x 3	(C) x 2	(O) x 1



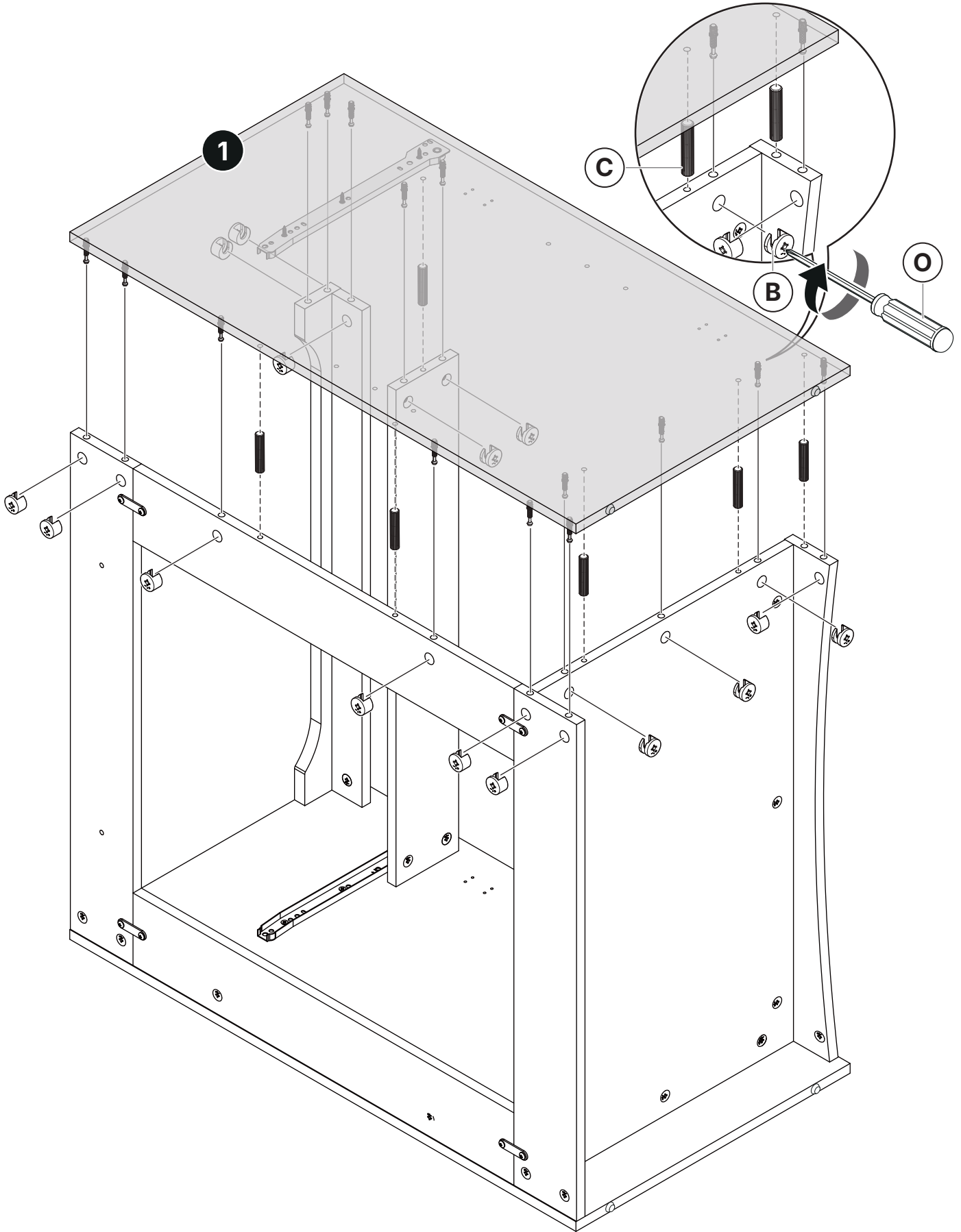
11



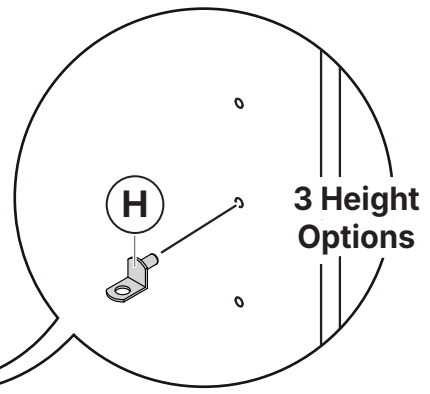
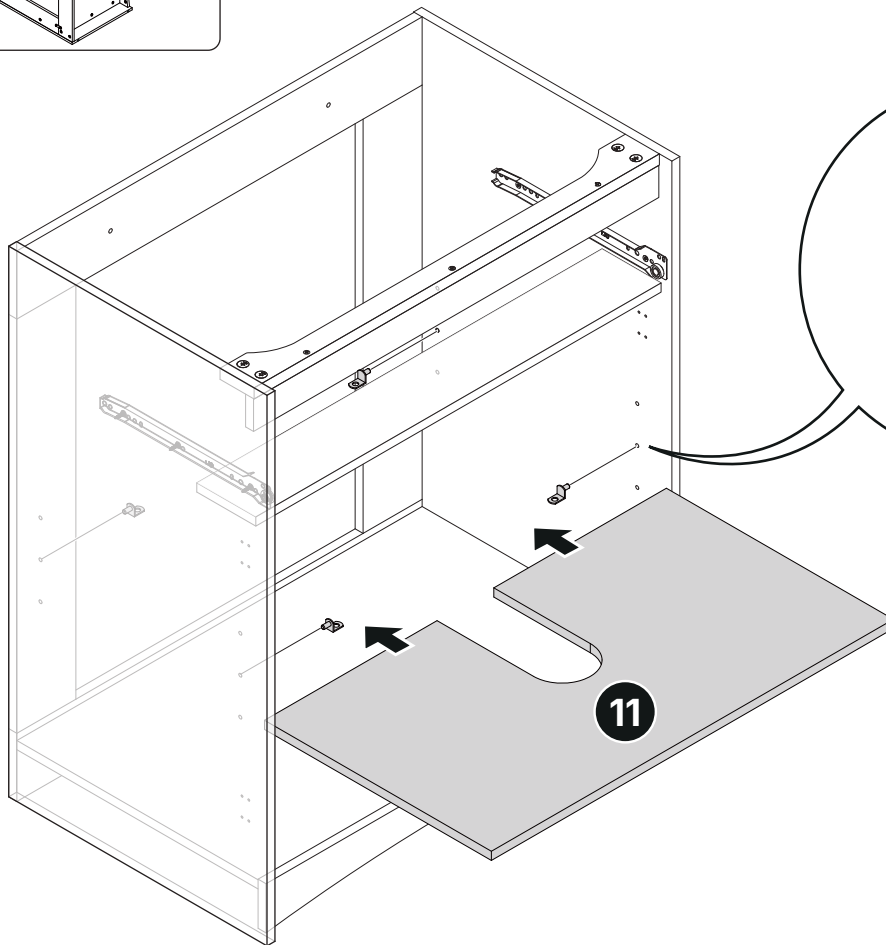
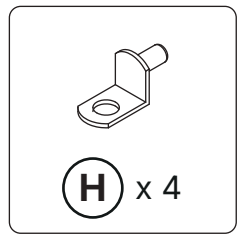
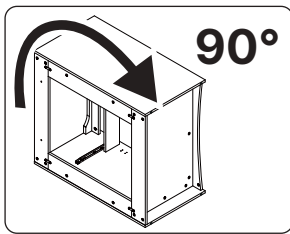
12



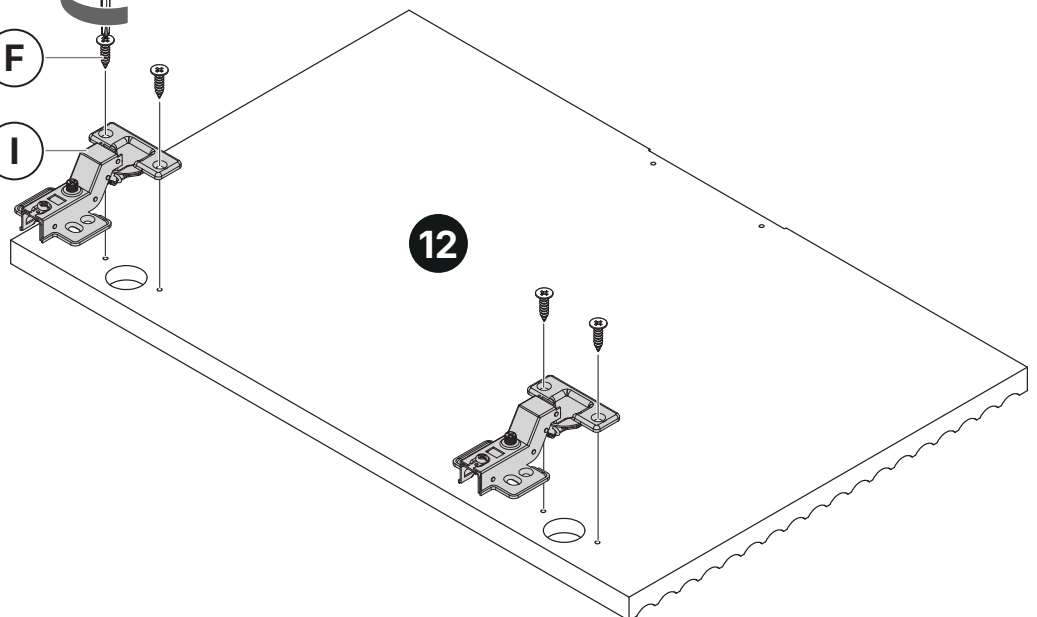
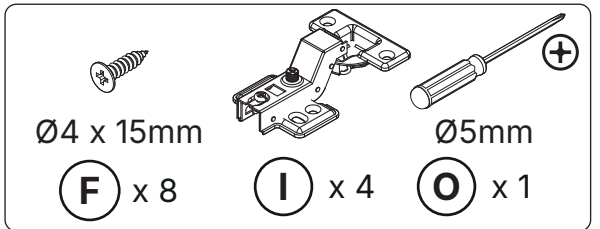
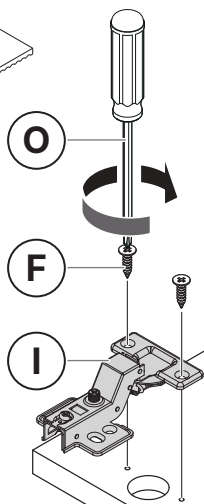
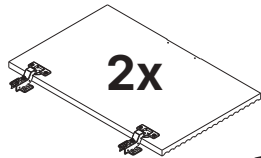
Ø15 x 9.5mm Ø6 x 30mm Ø5mm
B x 15 **C** x 6 **O** x 1



13



14

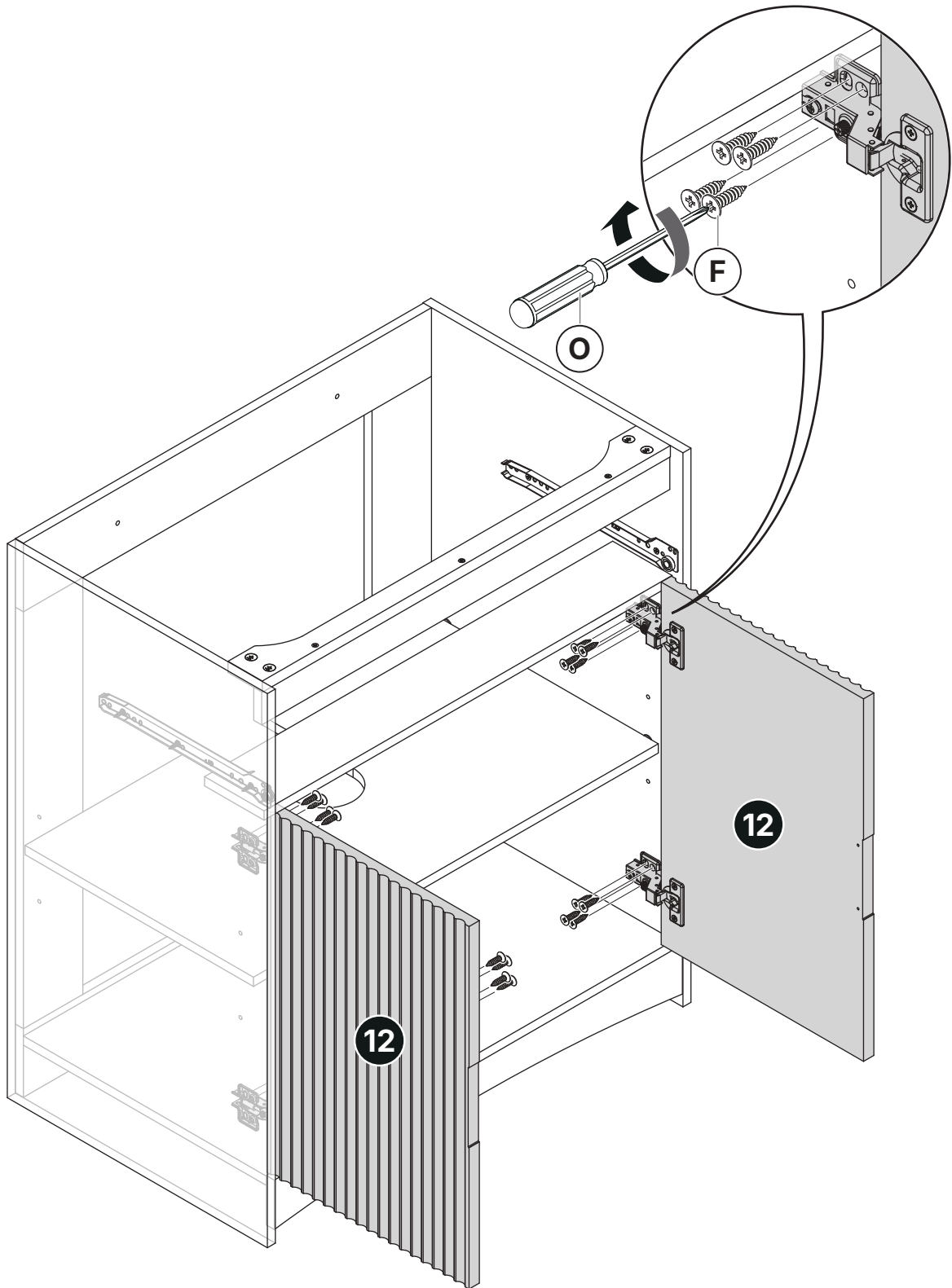


15

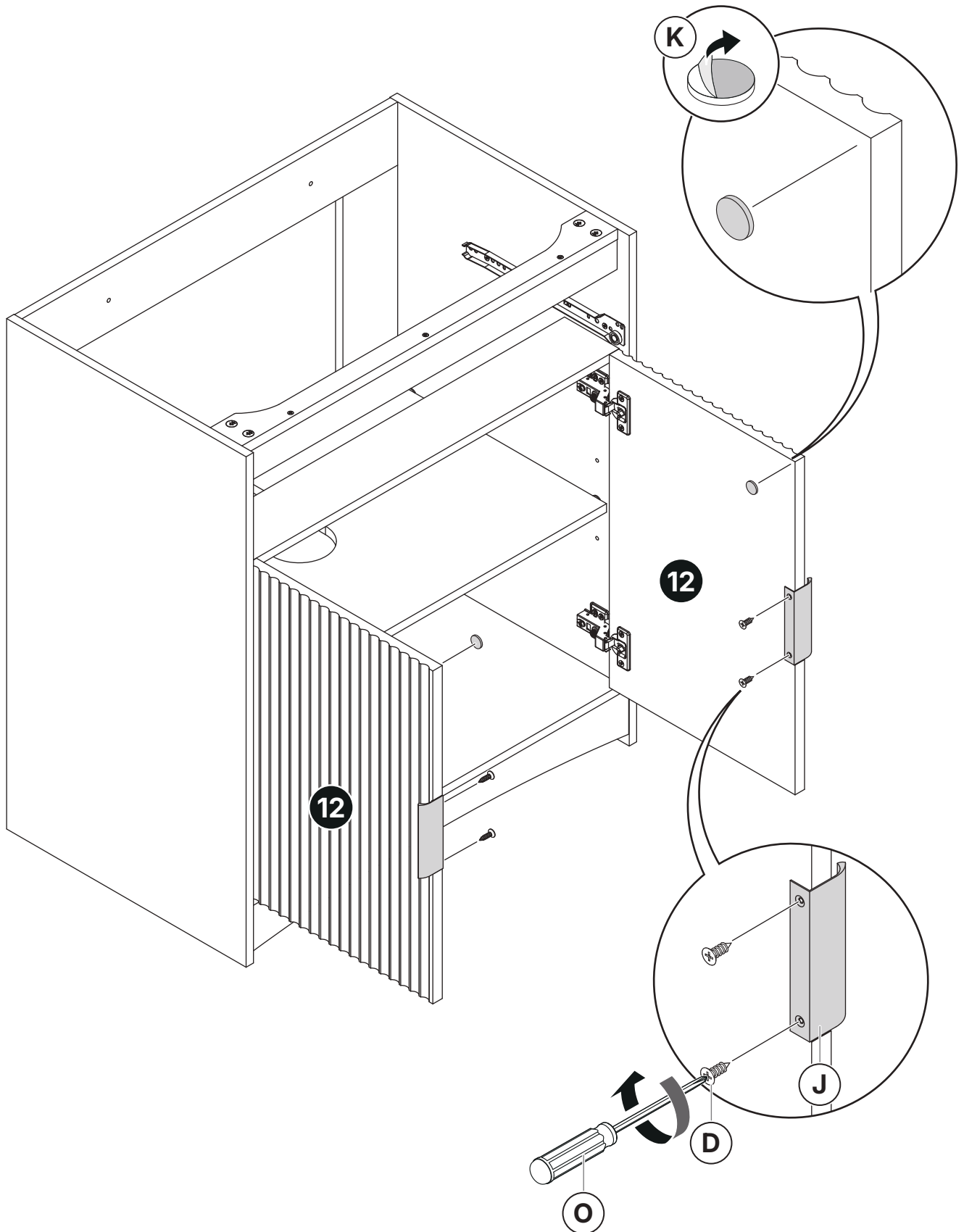
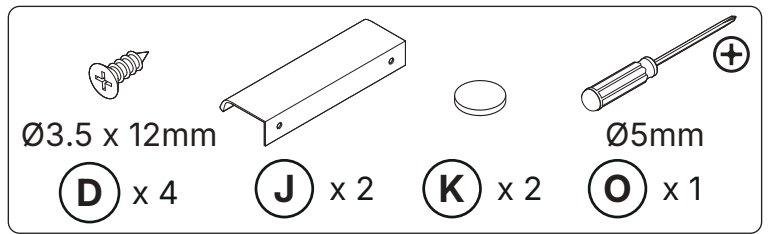


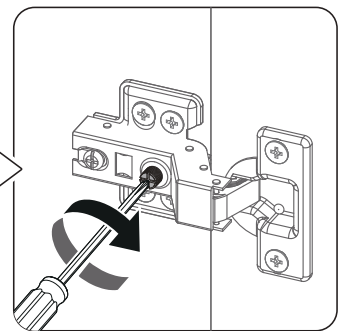
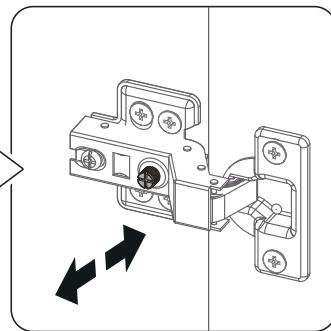
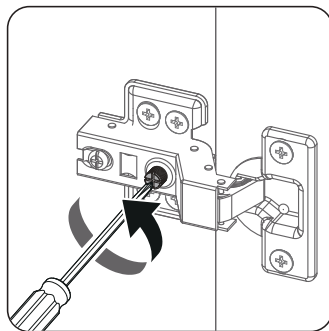
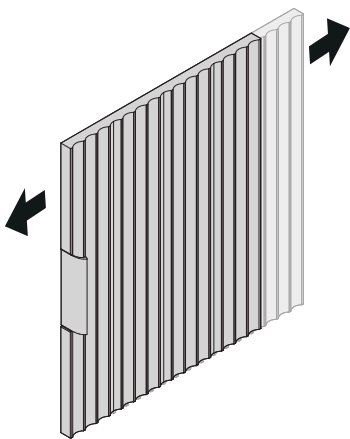
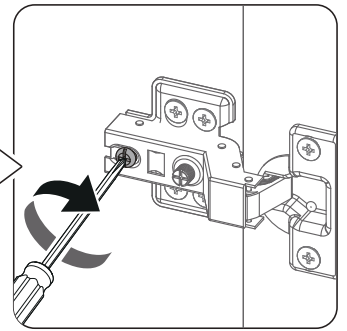
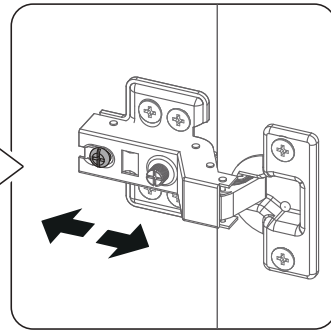
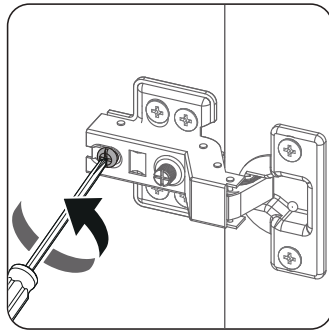
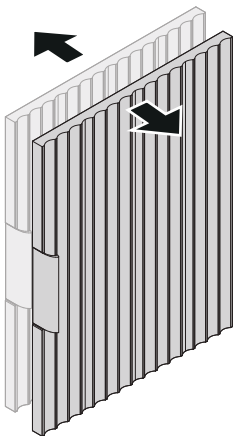
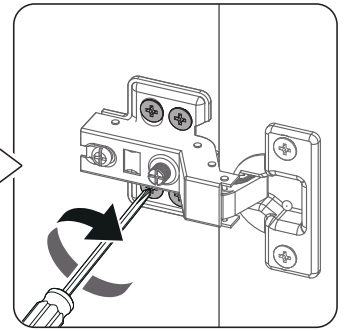
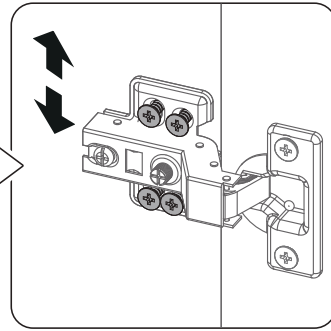
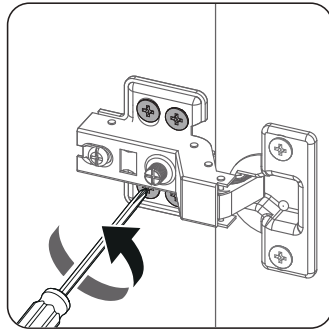
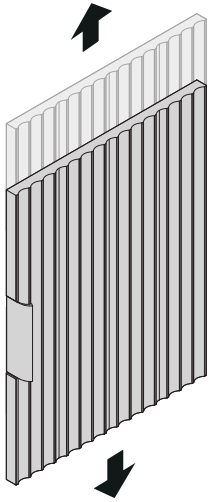
Ø4 x 15mm
F x 16

Ø5mm
O x 1

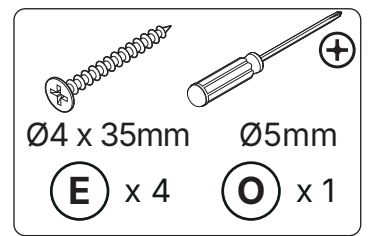
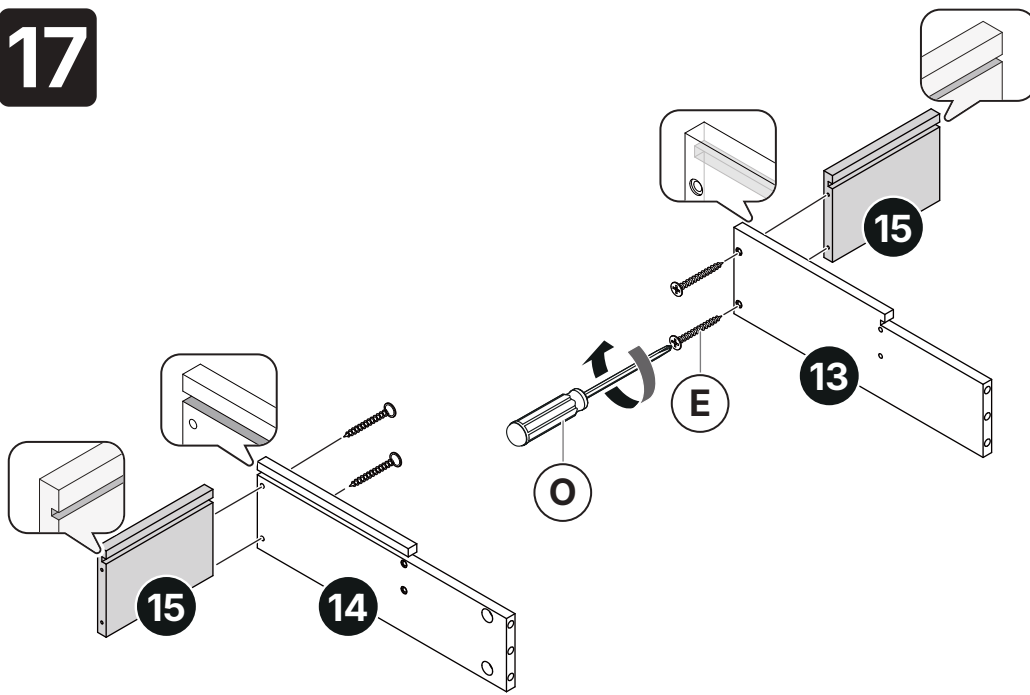


16

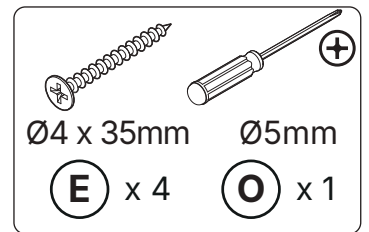
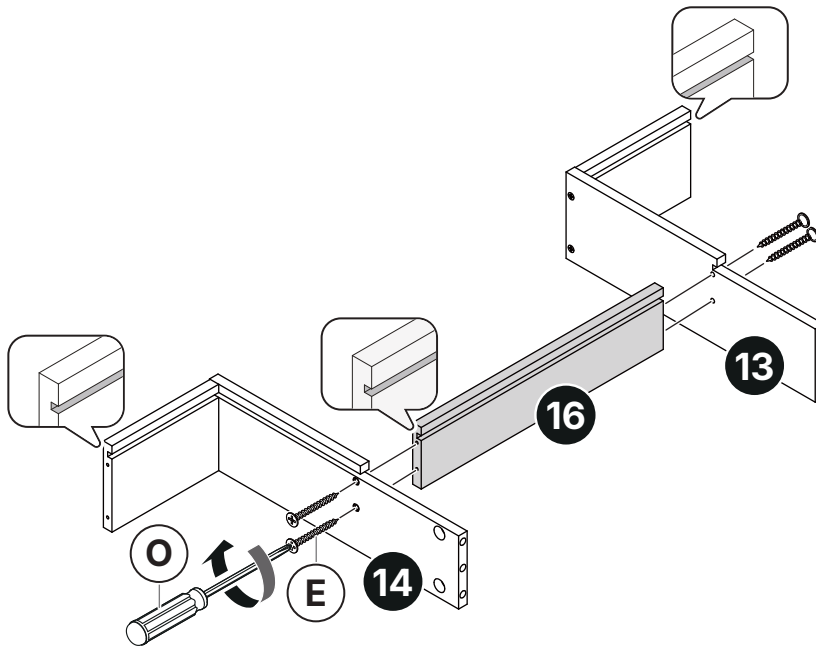




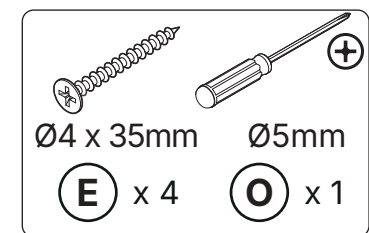
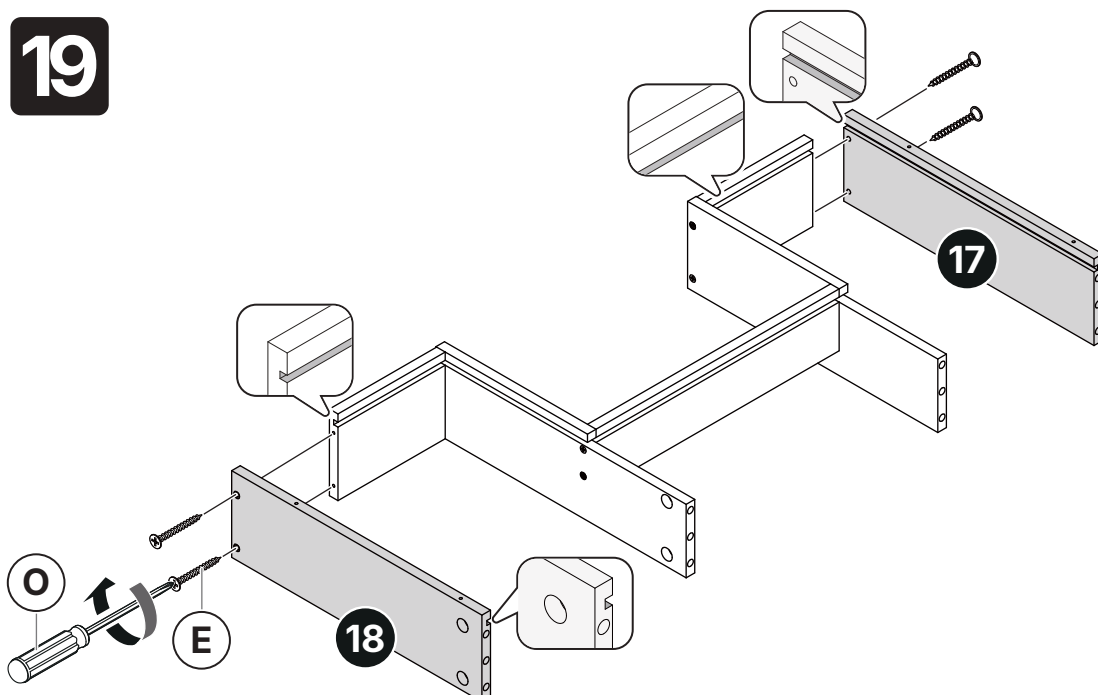
17



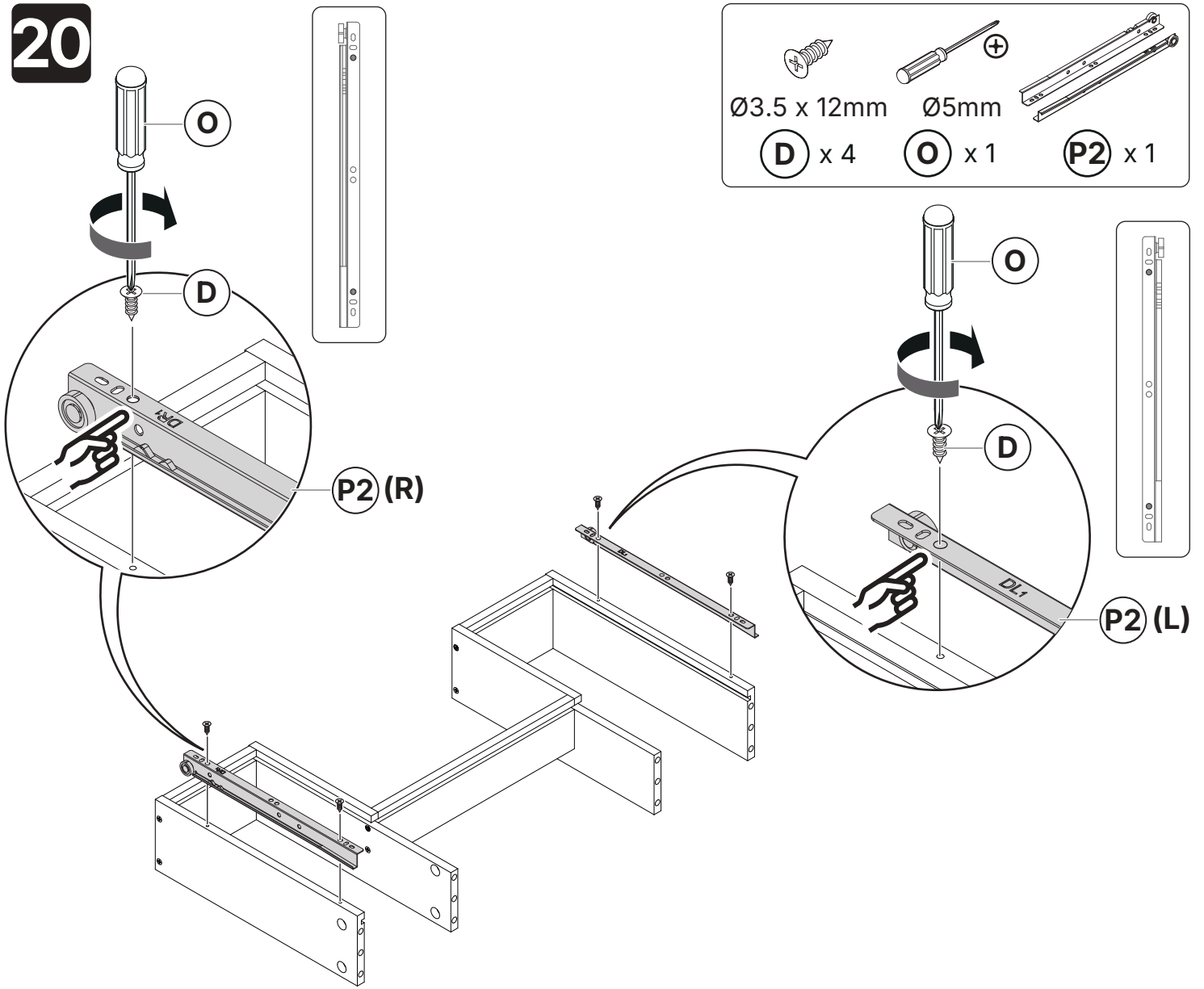
18



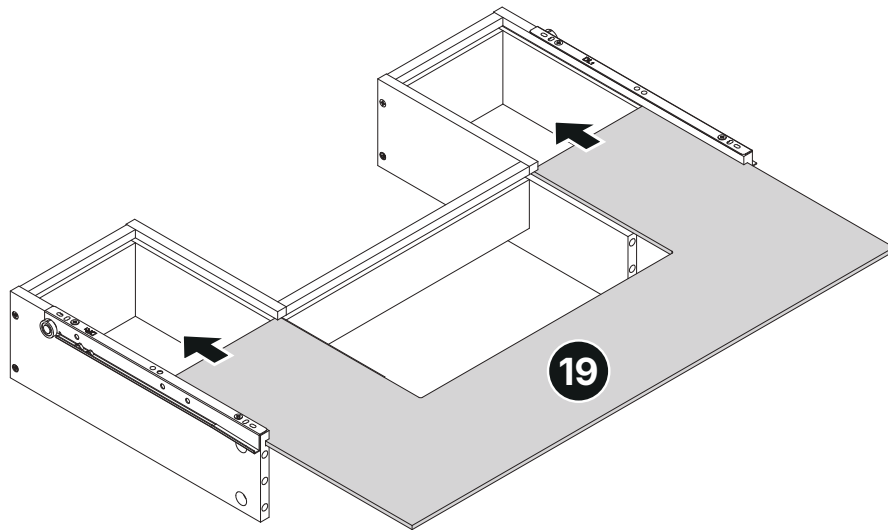
19



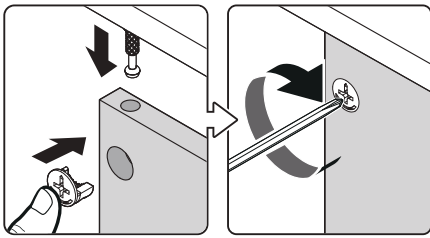
20

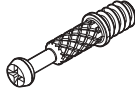

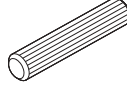
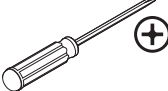


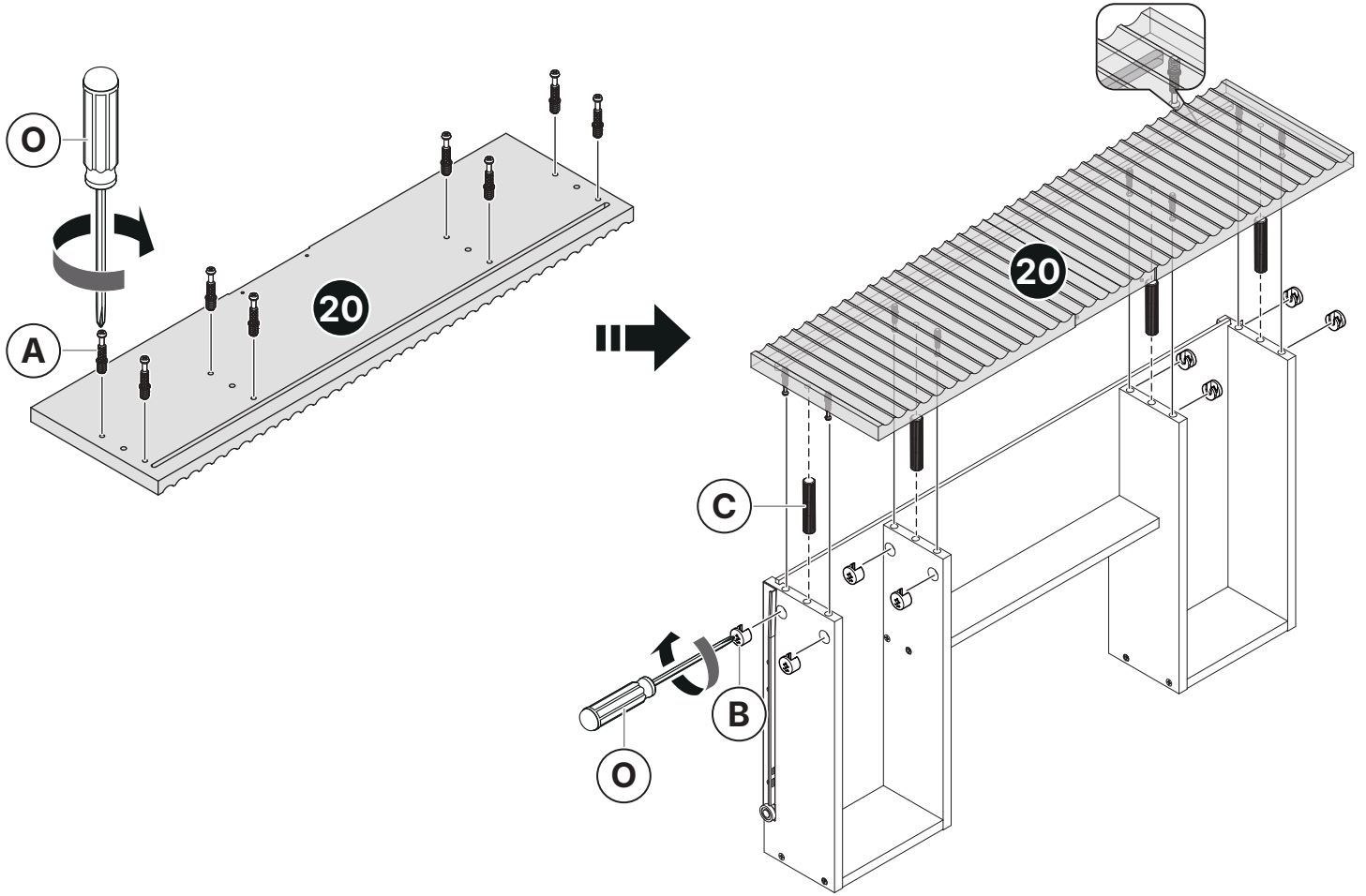
21



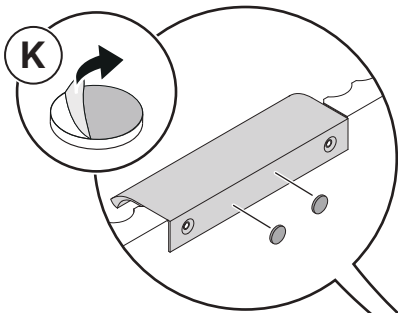
22

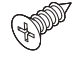
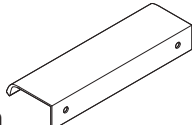

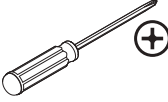


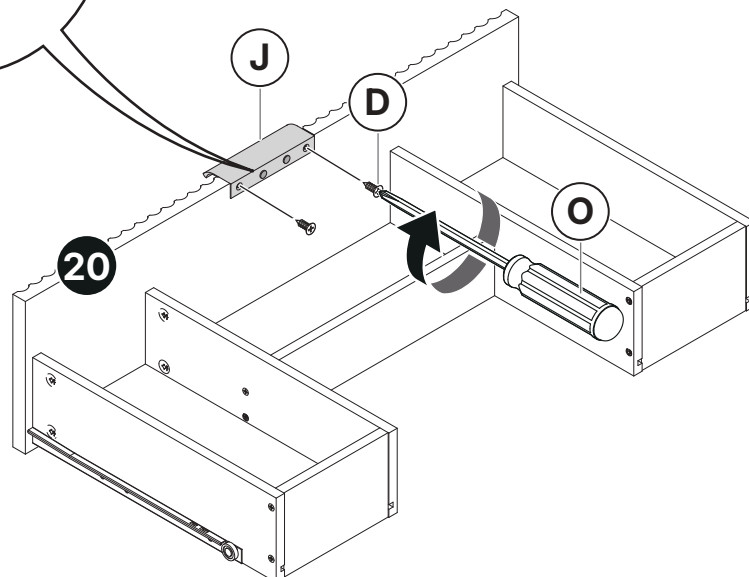
			
Ø6 x 34mm	Ø15 x 9.5mm	Ø6 x 30mm	Ø5mm
A x 8	B x 8	C x 4	O x 1

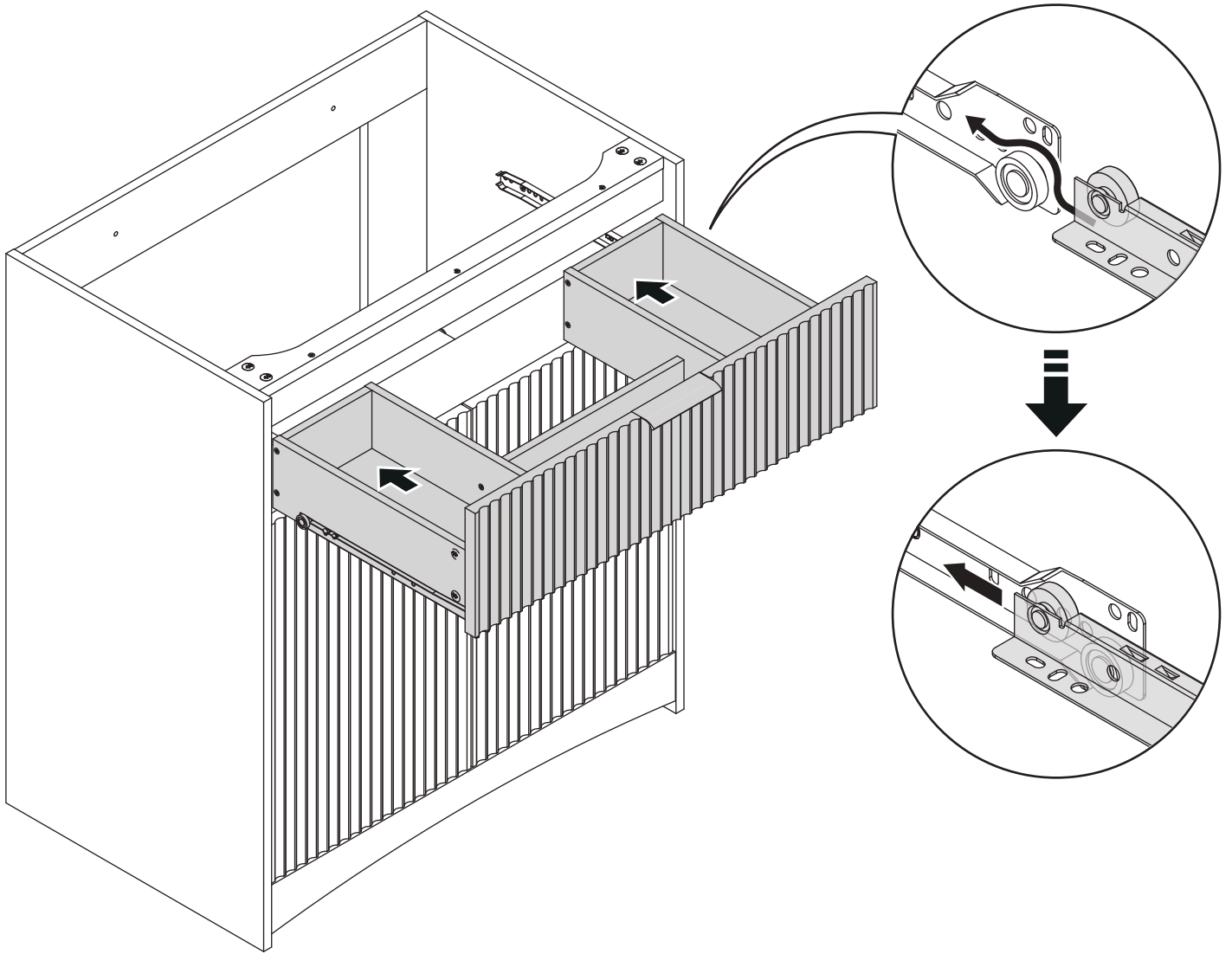


23

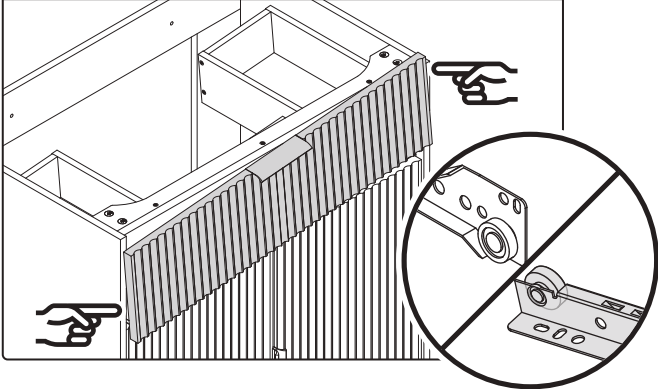


			
Ø3.5 x 12mm			Ø5mm
D x 2	J x 1	K x 2	O x 1

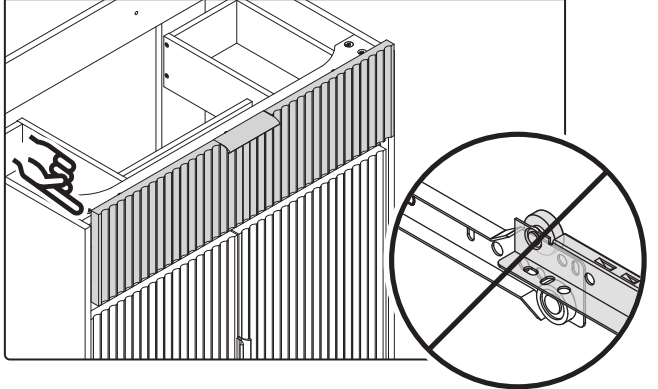


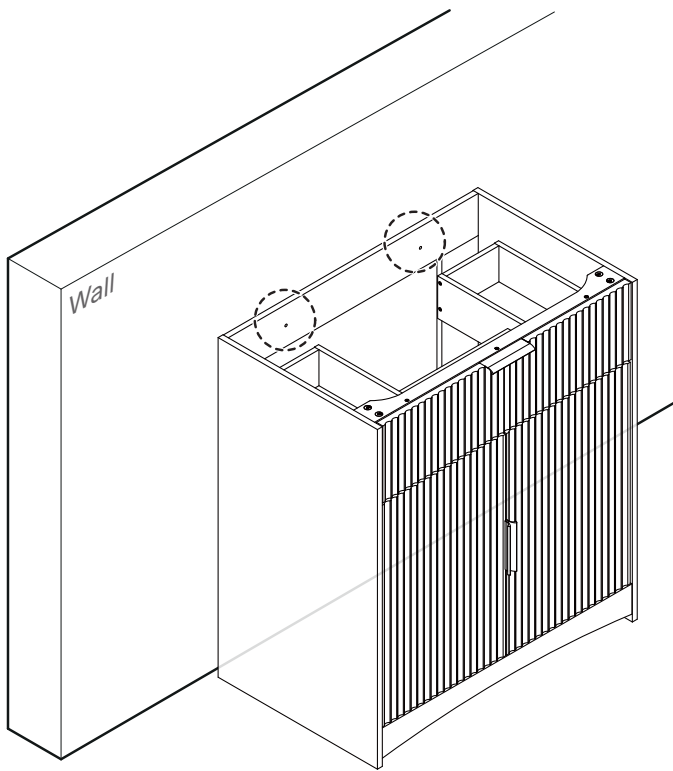


Drawer Slide Under Vanity Slide

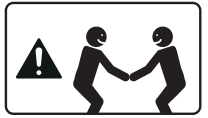


Drawer Slide Not Aligned

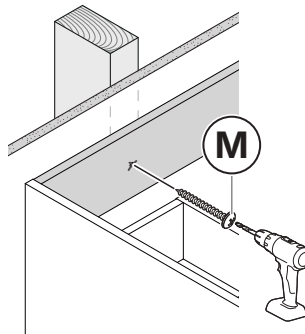
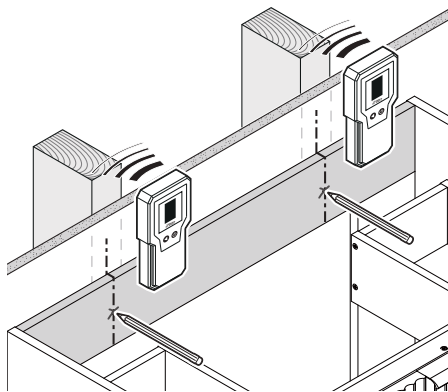
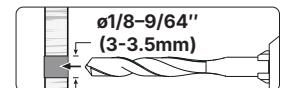
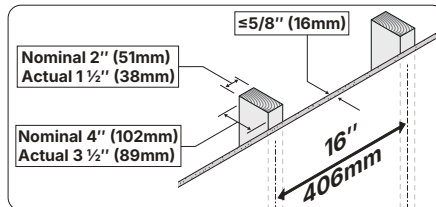




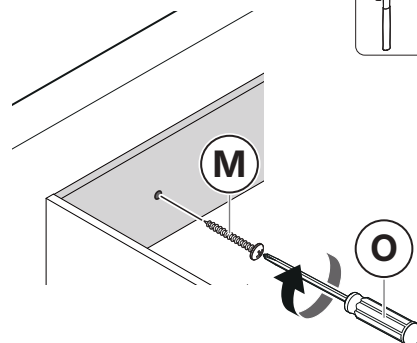
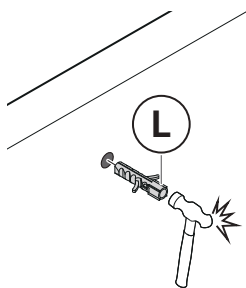
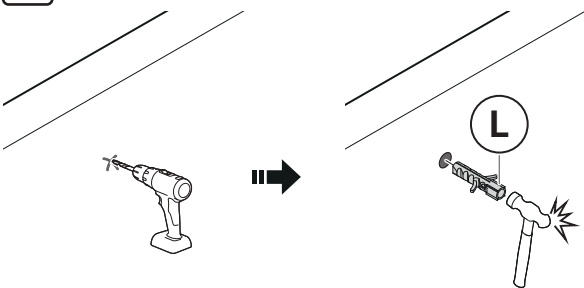
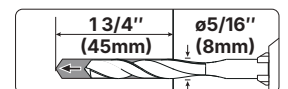
Ø8 x 40mm	Ø5 x 55mm	Ø5mm
(L) x 2	(M) x 2	(O) x 1



A Wood Studs



B Solid Concrete



Installation Instructions:

A. For Wood Stud Walls

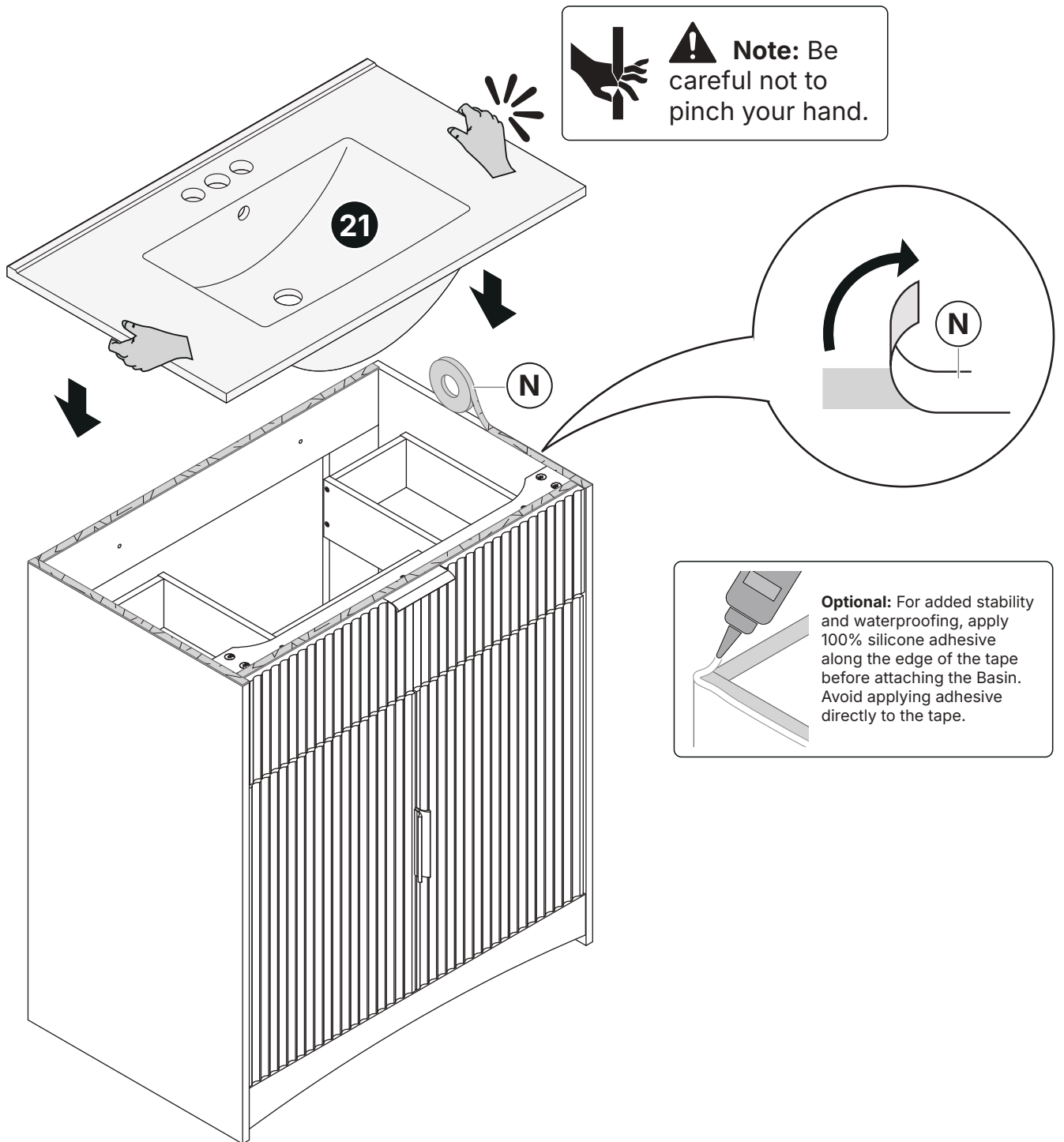
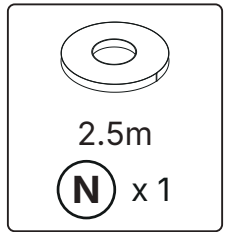
- 1) Locate and mark the stud centerline. Mark the hole positions where the centerline aligns with the unit's holes.
- 2) Secure the unit to the wall using screws. If the stud spacing is 12" or 24", securing the unit to a single wood stud is sufficient for stability.


B. For Solid Concrete Walls

- 1) Drill pilot holes in the wall at the appropriate height.
- 2) Tap wall anchors in.
- 3) Secure the unit to the wall using screws.

26

Note: Allow the Basin to remain undisturbed for 24 hours to achieve full adhesion.



 support@bsqworld.com