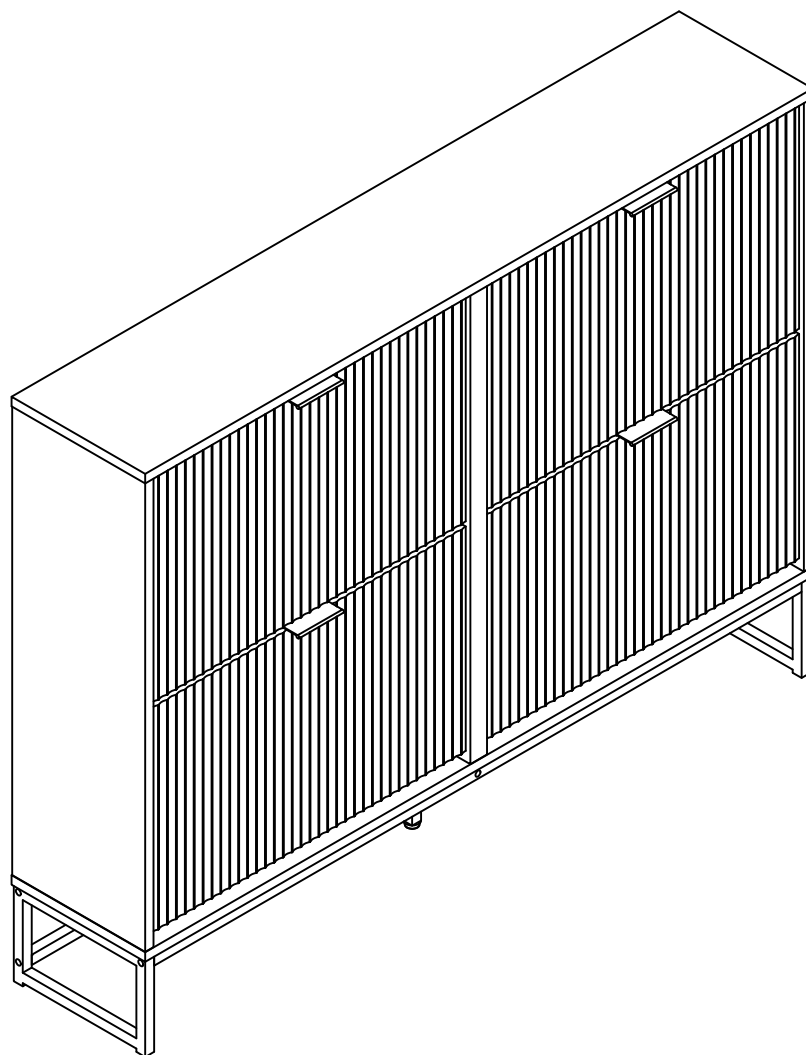


Installation Instruction



Assembling

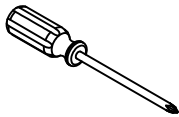
Estimated time for assembly



45 : 00

What you need

- Use the packaging carton as a working surface to prevent product damage during assembly
- Phillips head screwdriver



Weight Limitation

 **100** | **35**
lbs table top lbs per

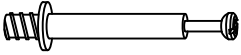


What' included

Code Description	Qty
A Cam Bolt M6X35MM	10
B Cam Lock 15X10MM	10
C Wooden Dowel M7.8X30MM	6
D Screw M4X40MM	10
E The screw M3.5X14MM	58
F Inner Shaft	8
G Stopper	8
H External Shaft	8
I The screw M6X35MM	8
L Left Plastic Holder	4
R Right Plastic Holder	4
J Adjustable foot pads	1
M Metal shake handhandle	4
N Screw M4X10MM	8
O The screw M6X25MM	10
P Anchor	2
Q Wrench M4X55MM	1
K Metal connector	2

The Hardwares

A



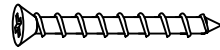
B



C



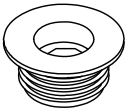
D



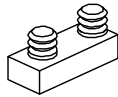
E



F



G



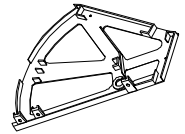
H



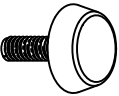
I



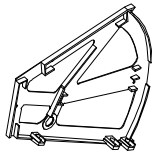
L



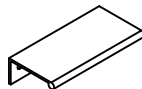
J



R



M



N



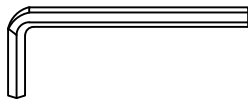
O



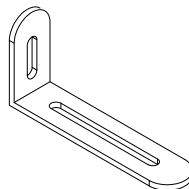
P



Q



K



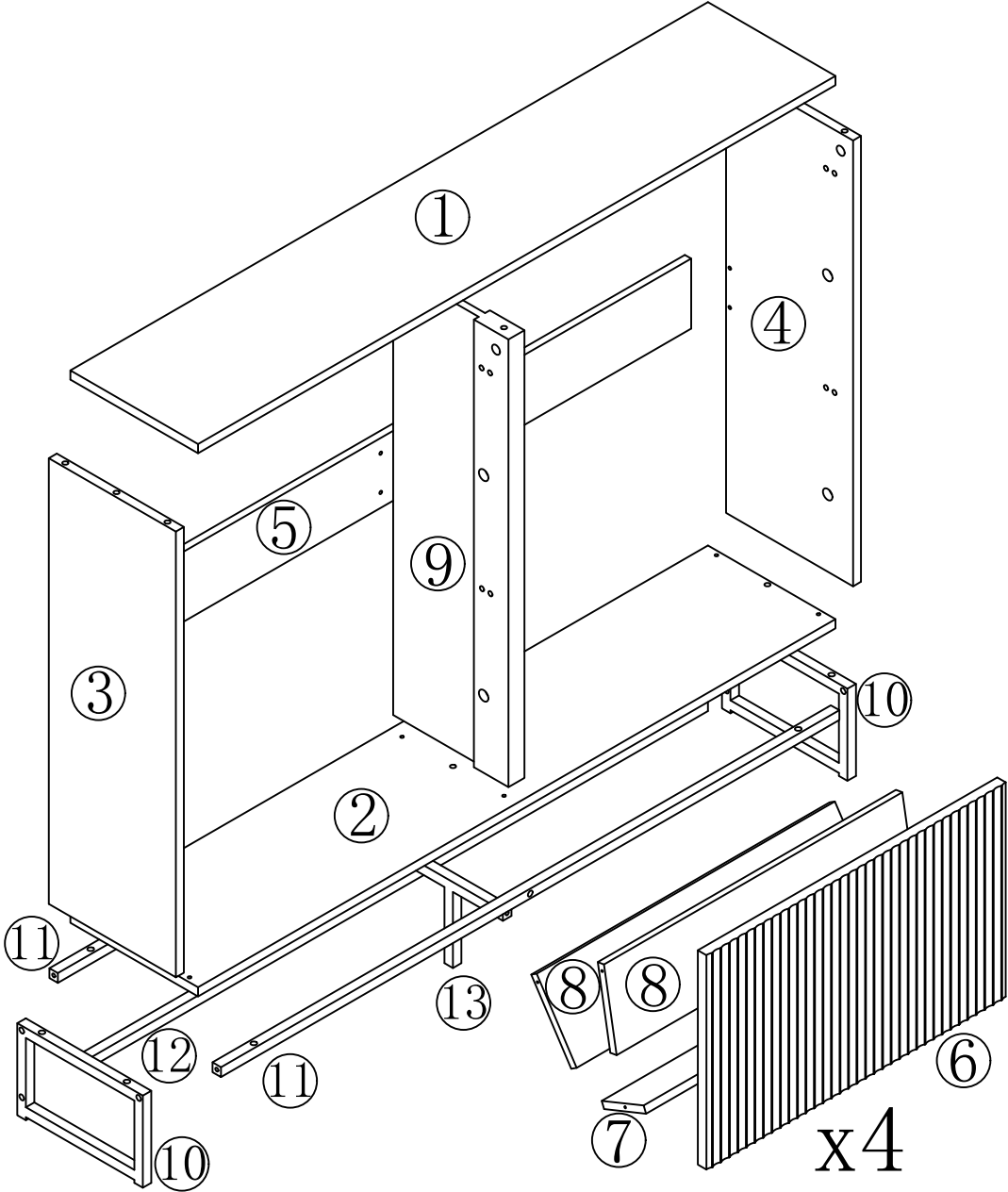
IMPORTANT:

1. Do not tighten bolts / screws completely until all bolts / screws are lined up and inserted into holes.
2. Do not over tighten screws and bolts to avoid stripping
3. Please use hand tools to assemble this product. Do not use power tools.

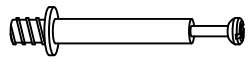
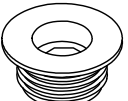
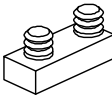
Included Accessories

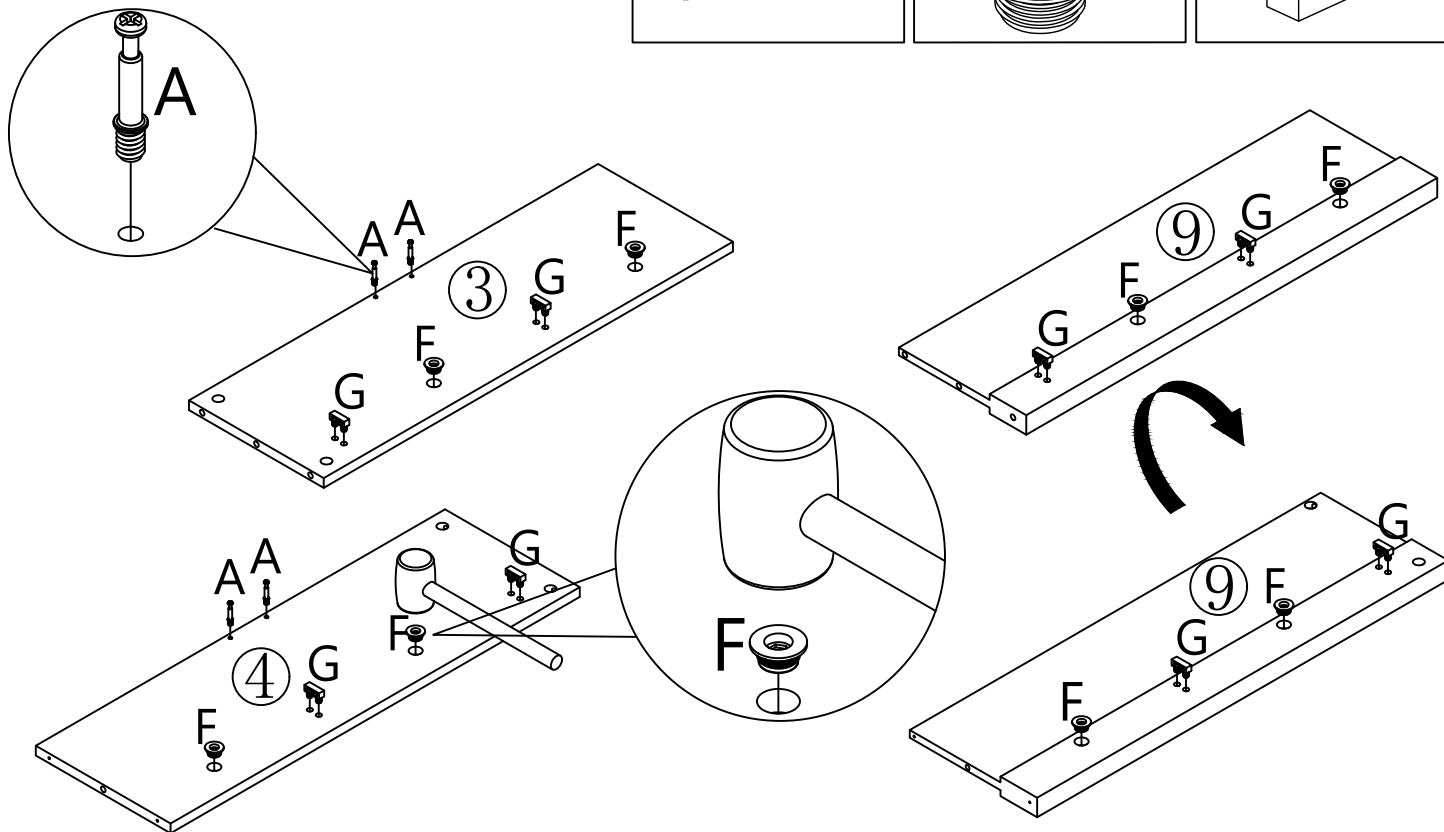
Code	Description	Qty
1	Cabinet Top	1
2	Bottom Panel	1
3	Left Side Panel	1
4	Right Side Panel	1
5	Back stiffener	1
6	Door	4
7	Inner lamella	4
8	Large inner plate	8
9	Middle Division Panel	1
10	Left and right metal legs	2
11	Upper metal connecting rod	2
12	Lower metal connecting rod	1
13	Middle metal leg	1

The Accessoriess


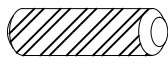
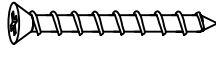


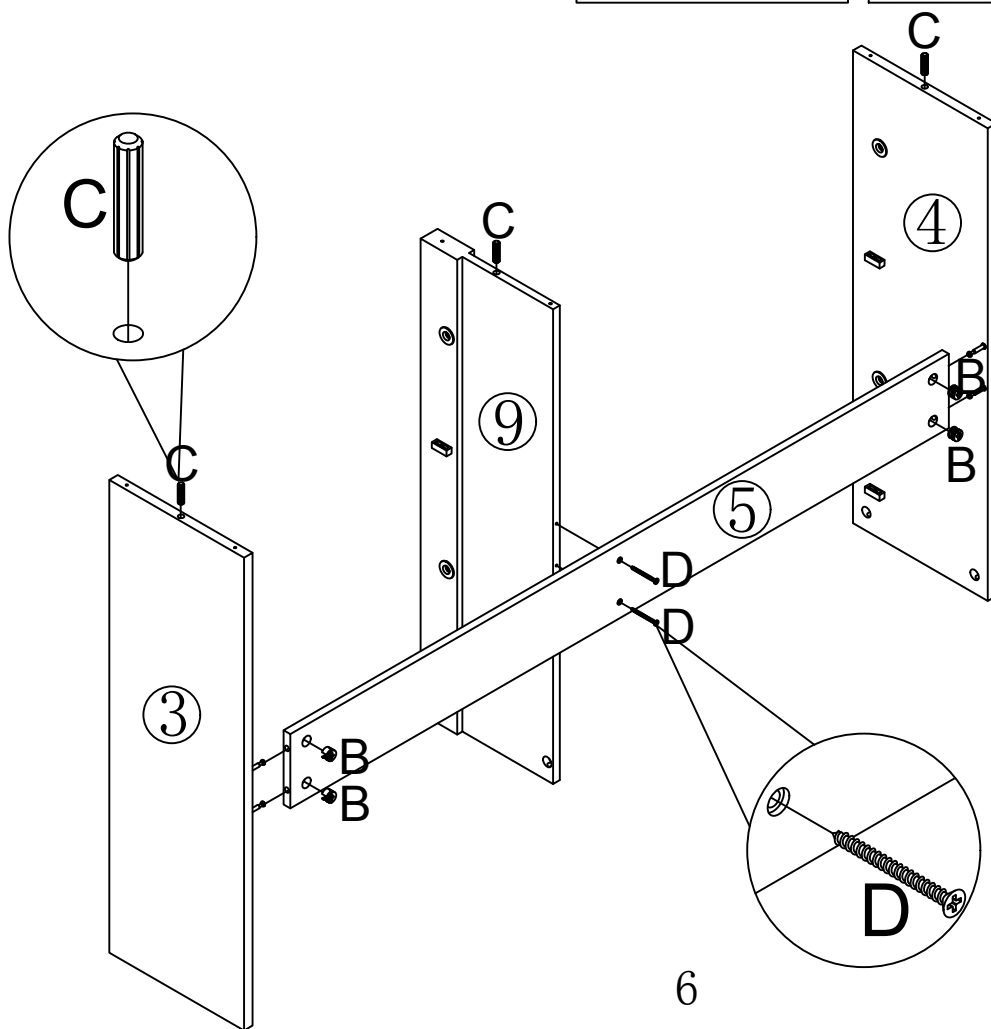
Step 1

A	×4	F	×8	G	×8
					

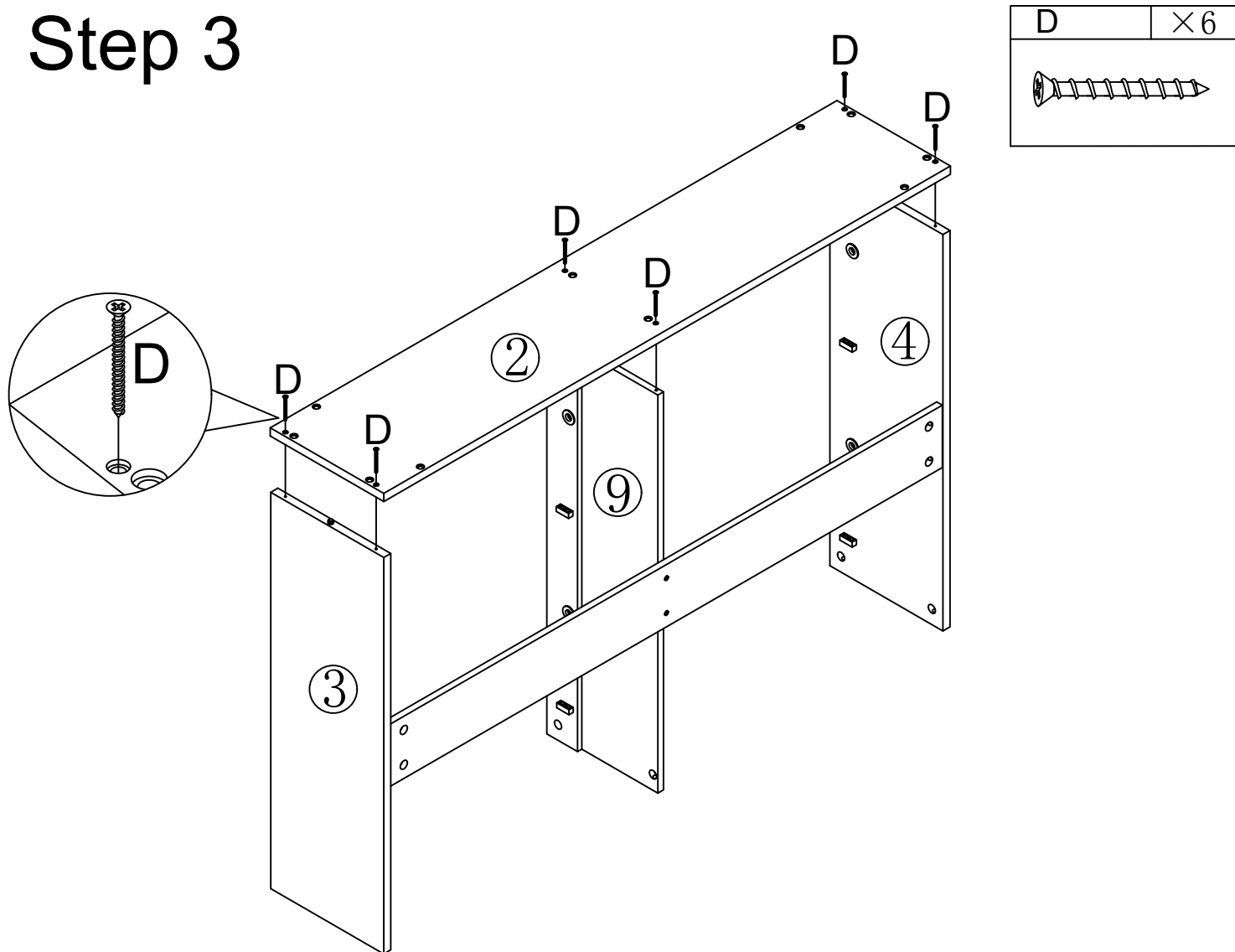


Step 2

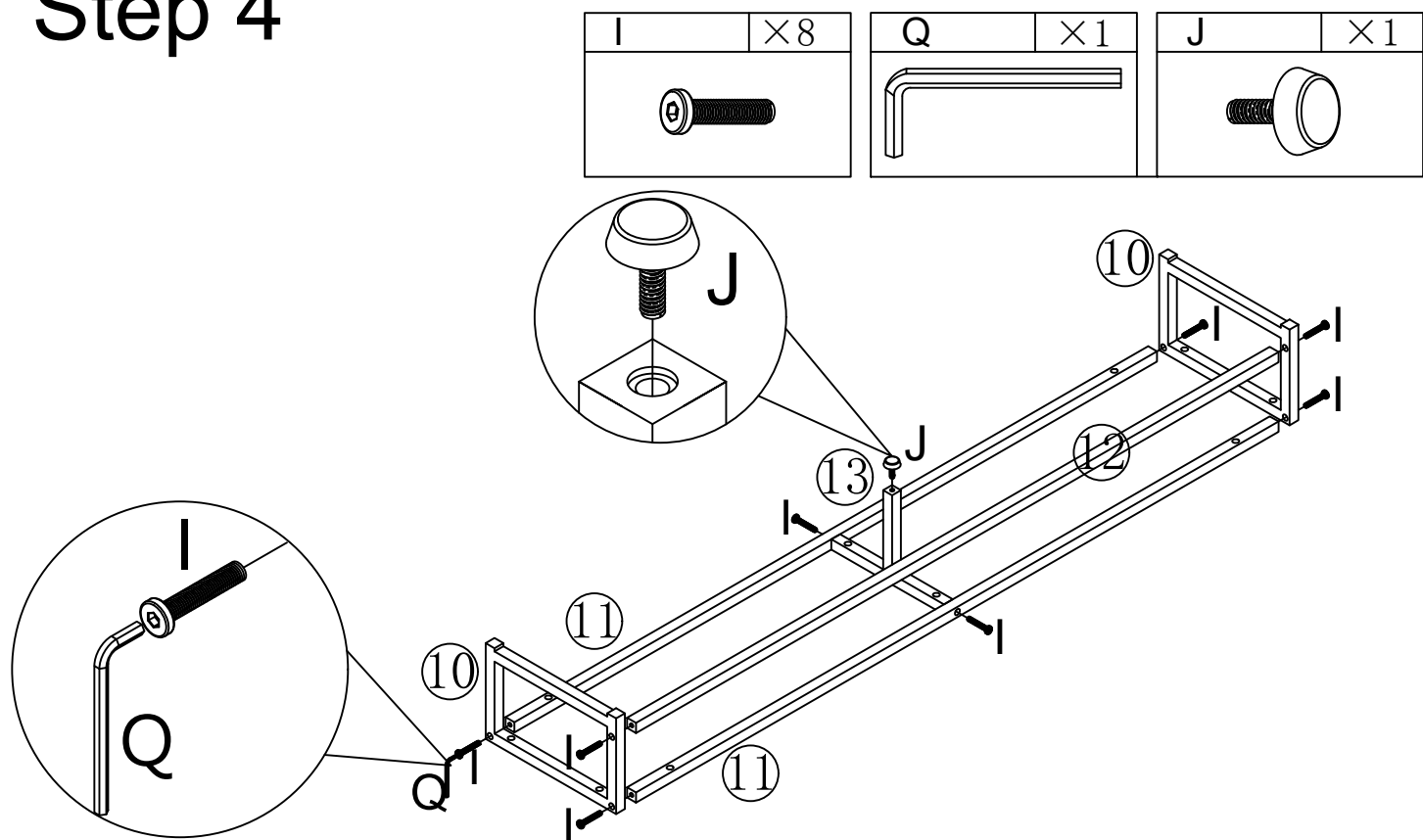
B	×4	C	×3	D	×2
					



Step 3

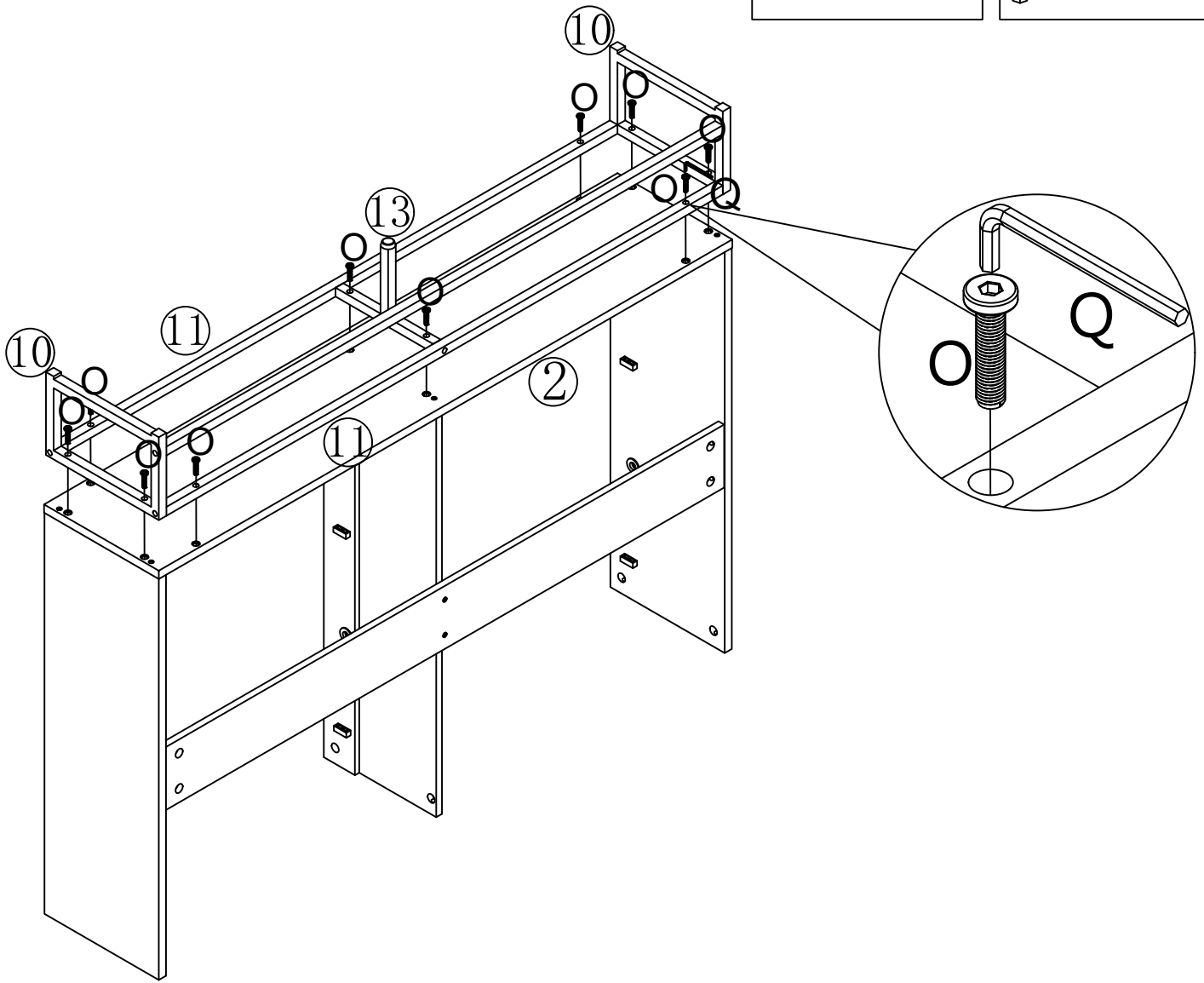
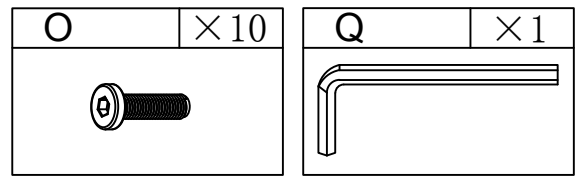


Step 4



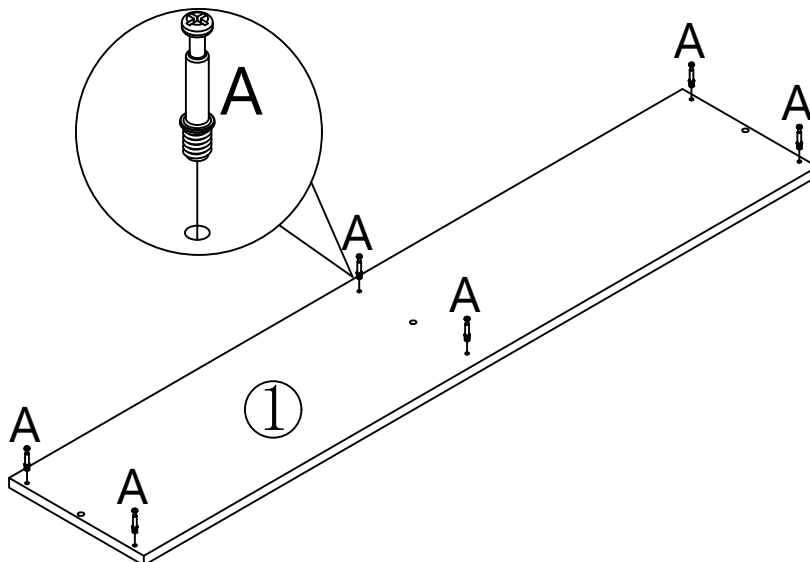
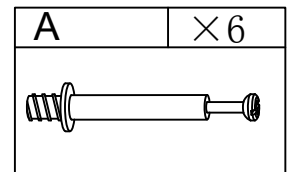
Step 5

O	×10	Q	×1
---	-----	---	----

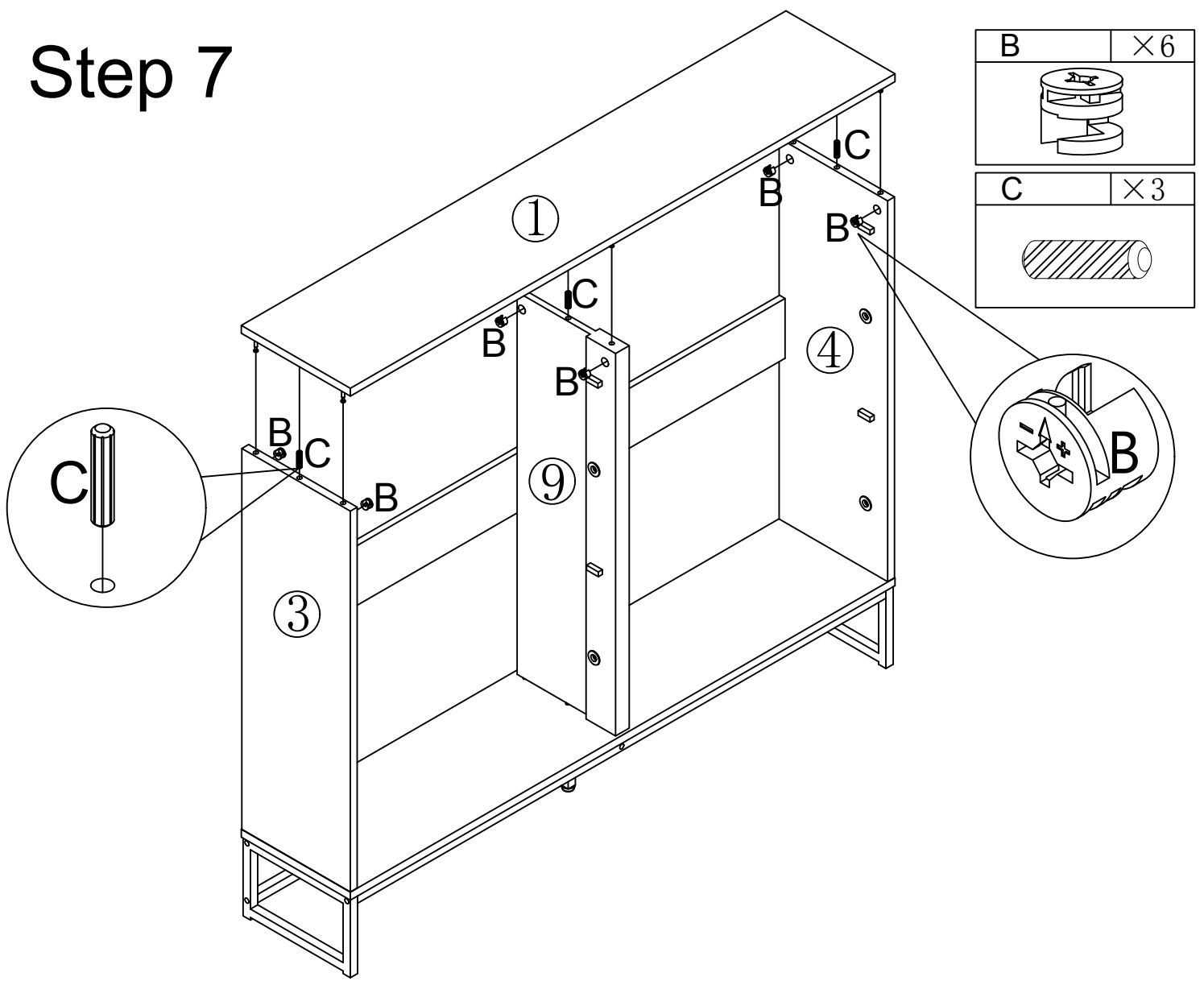


Step 6

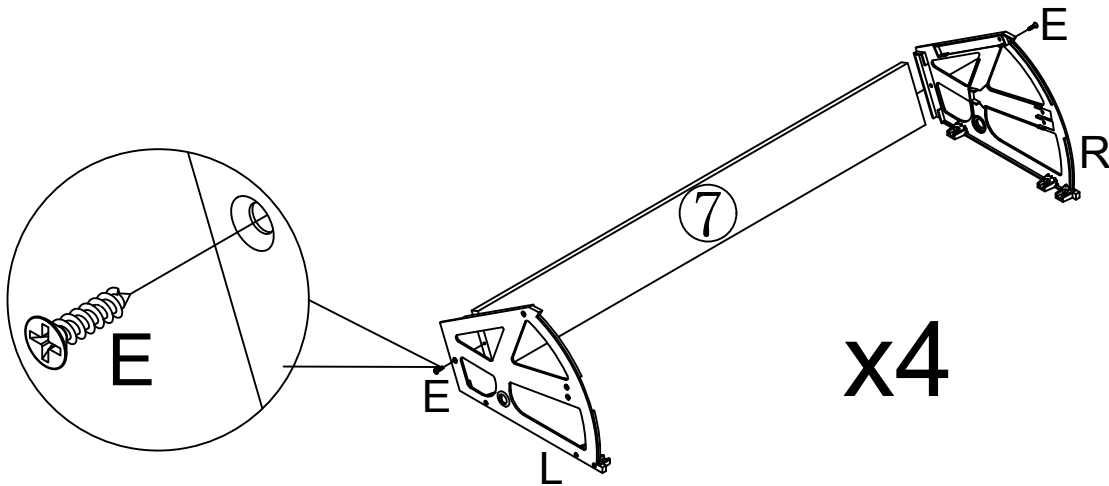
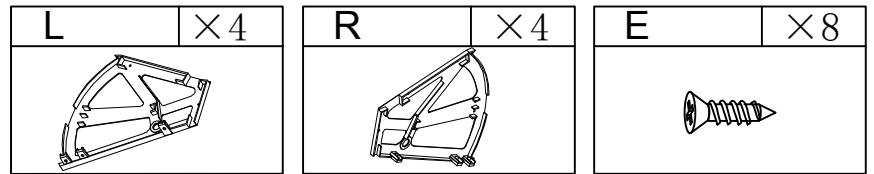
A	×6
---	----



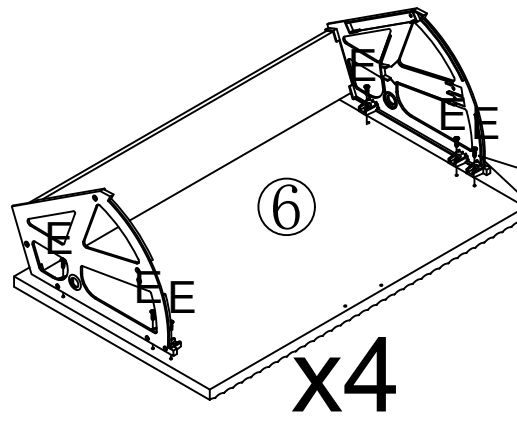
Step 7




Step 8

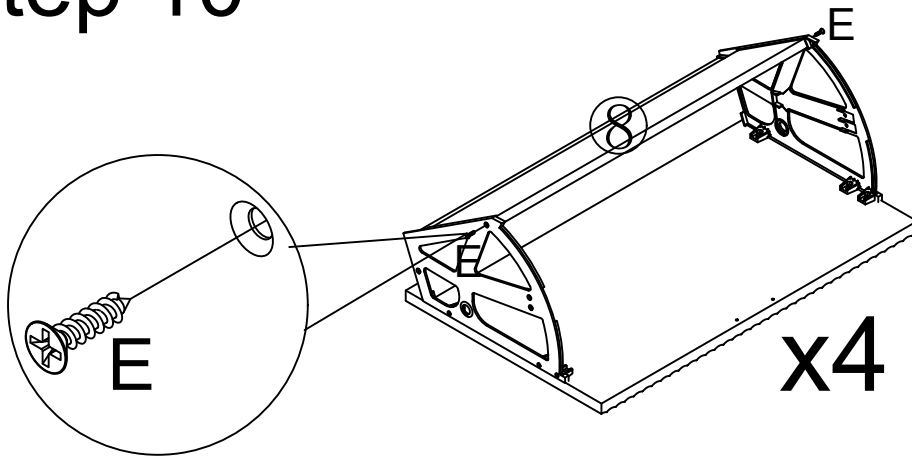



Step 9



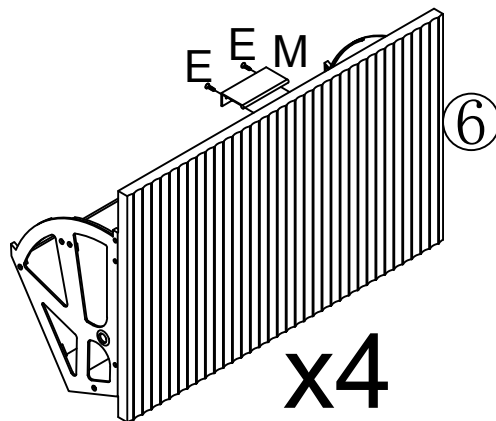
E	×24
	


Step 10

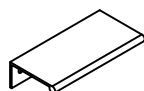


E	×8
	

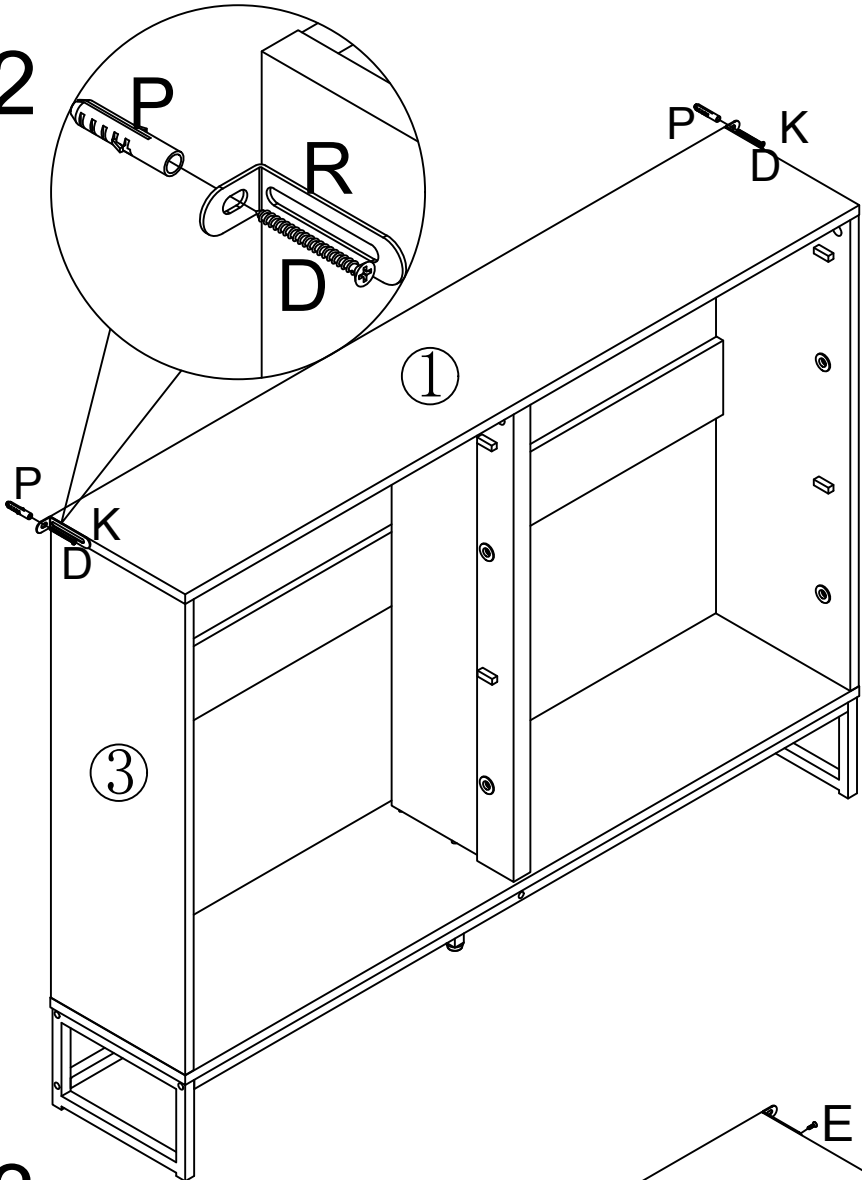
Step 11

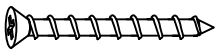

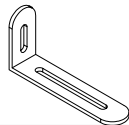


E	×8
	

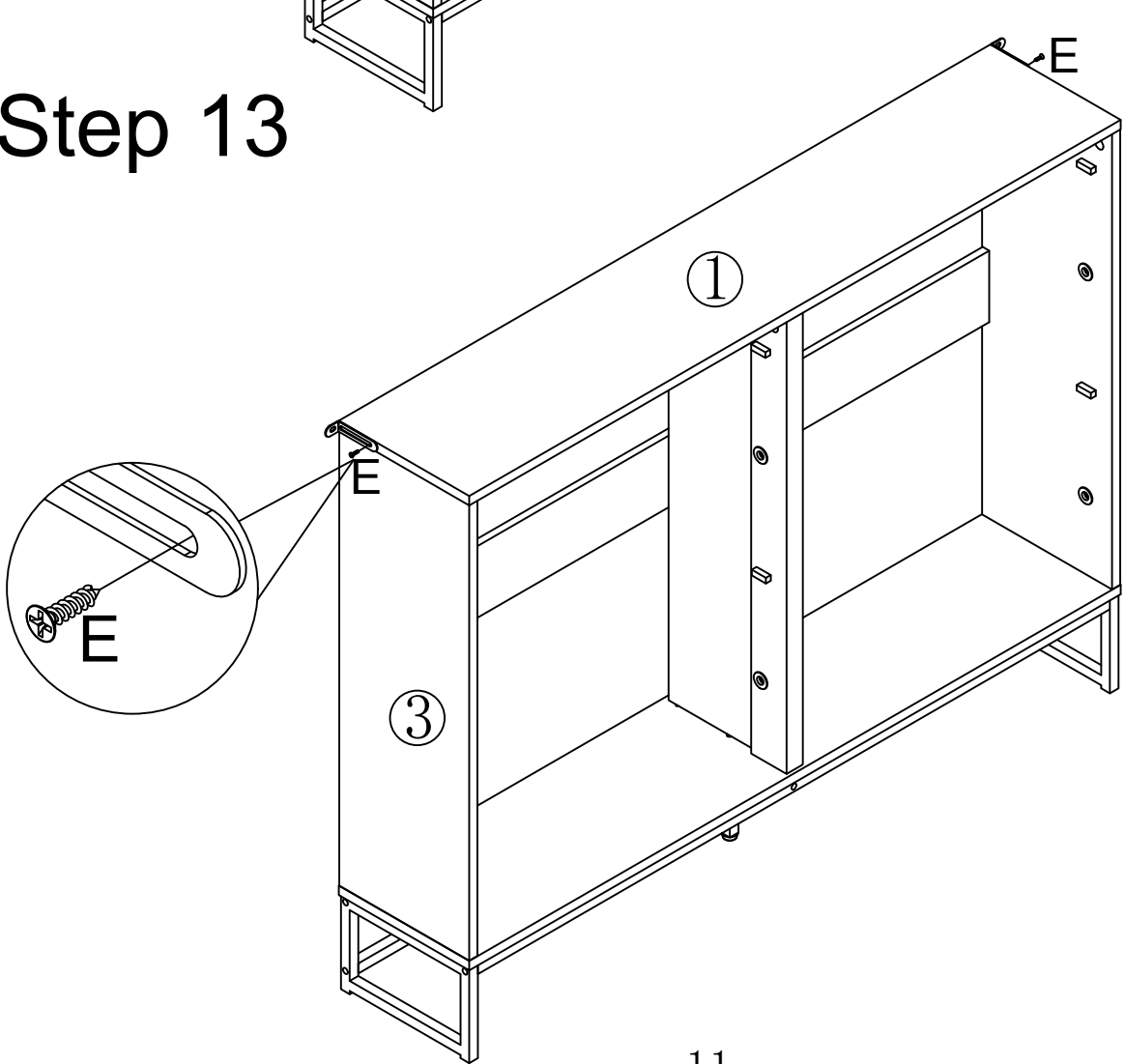
M	×4
	


Step 12



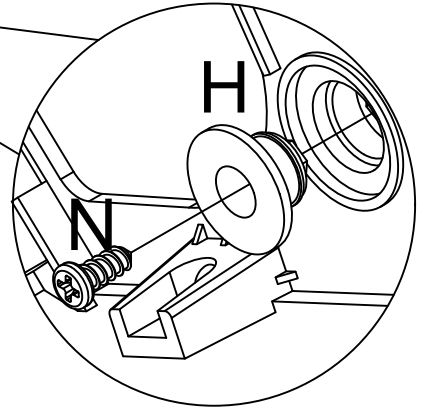
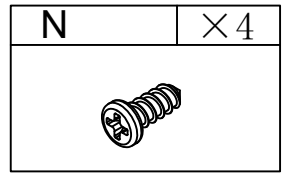
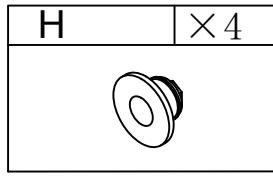
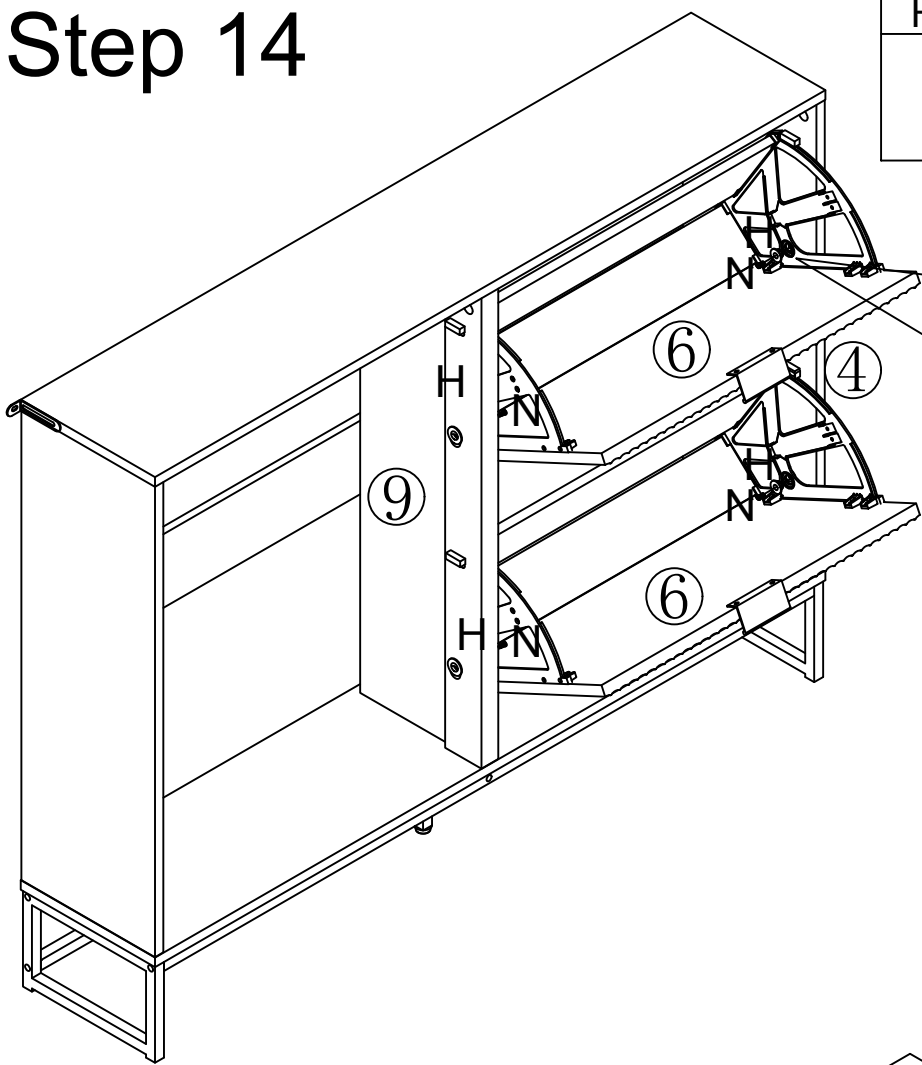
D	×2
	
P	×2
	
K	×2
	

Step 13

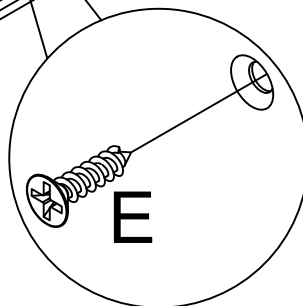
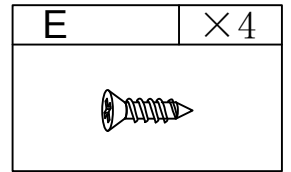
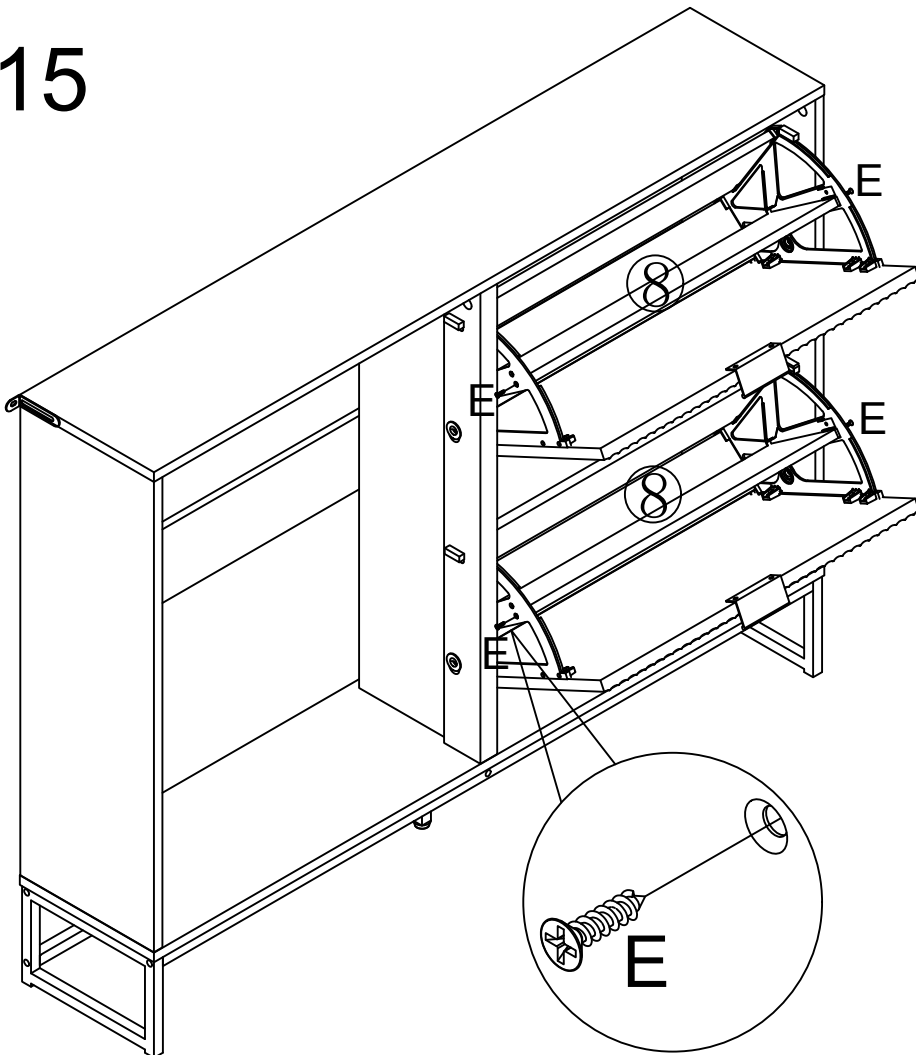


E	×2
	

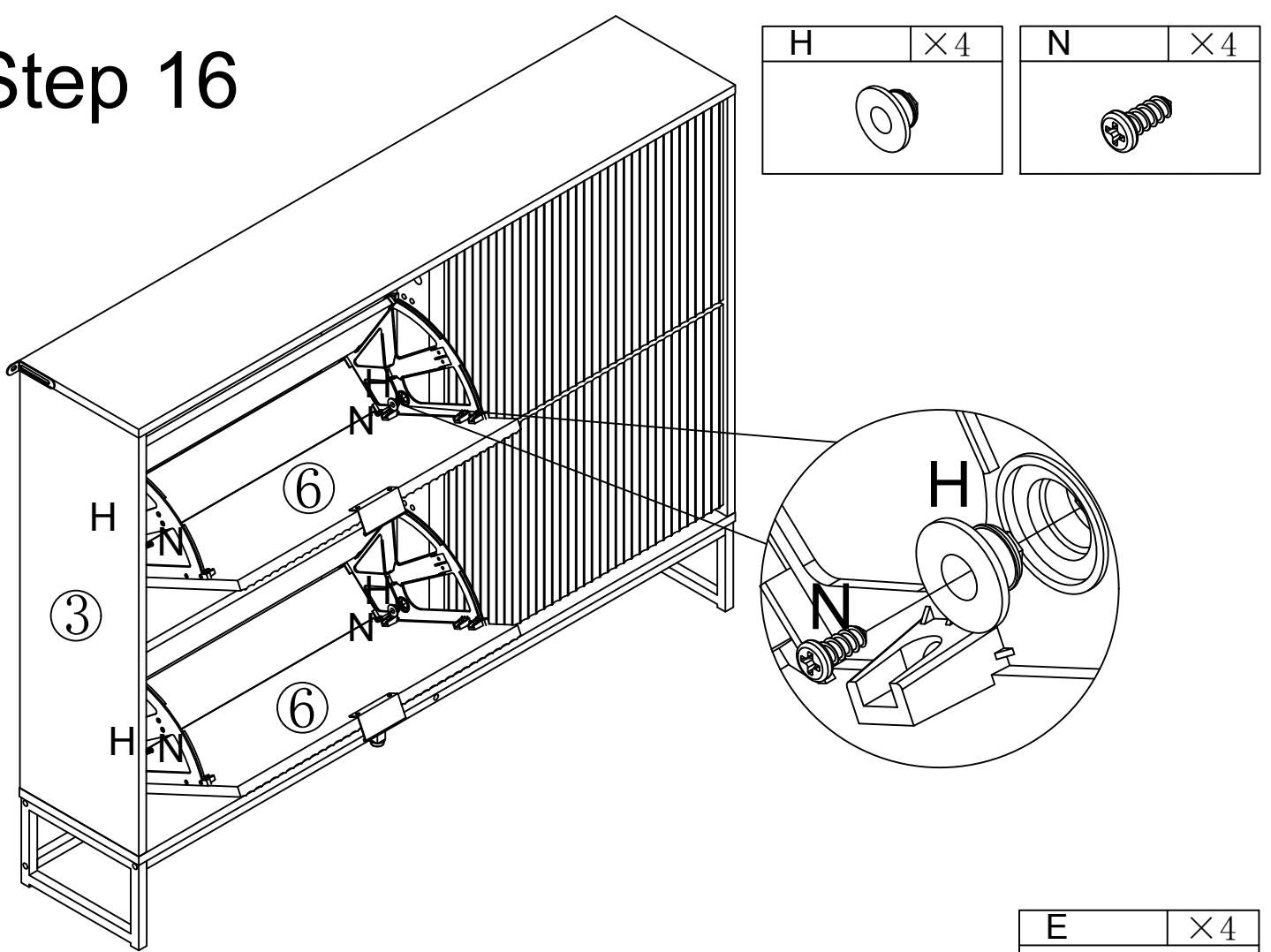
Step 14



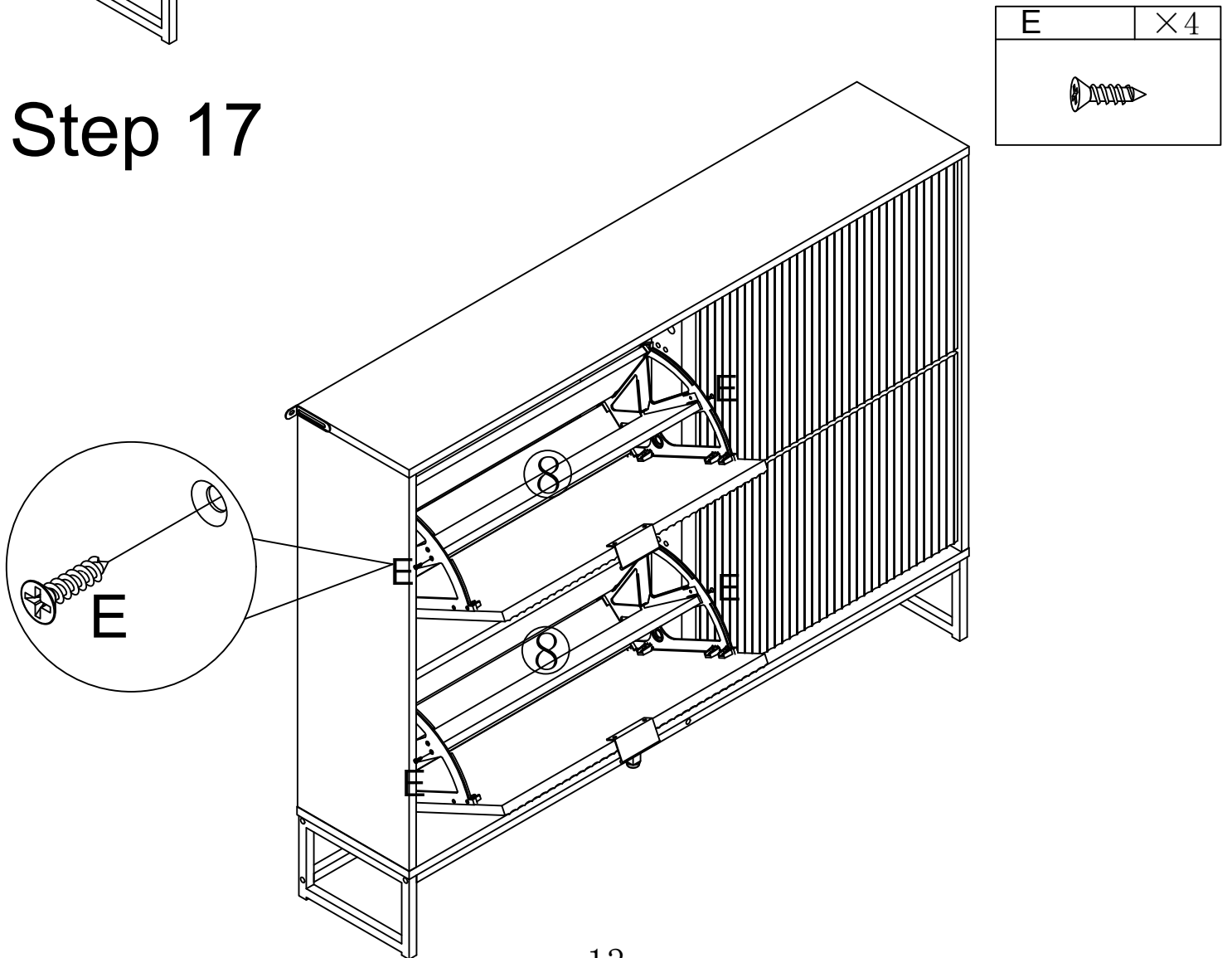
Step 15



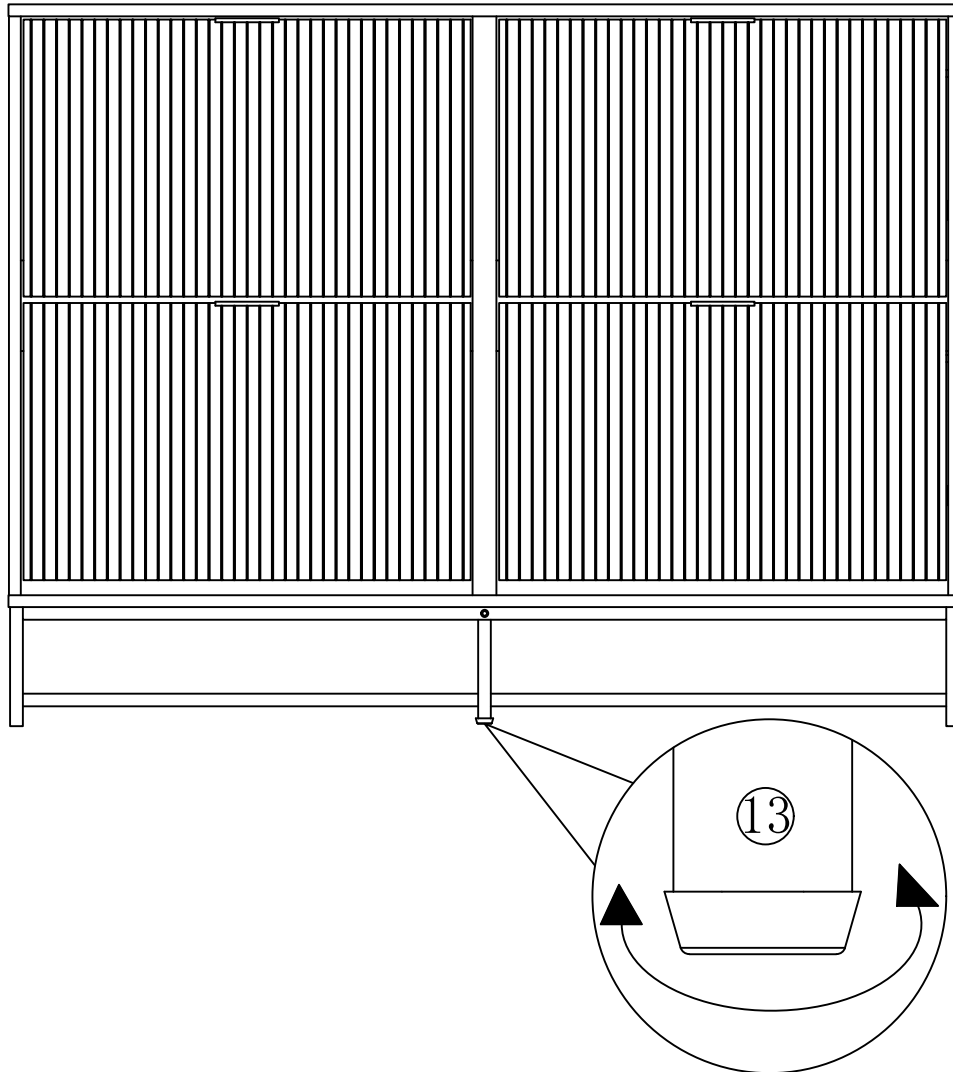
Step 16



Step 17



Step 18



If the floor is uneven and causes deformation of the cabinet, the plastic foot mat with No. ⑬ metal feet can be adjusted