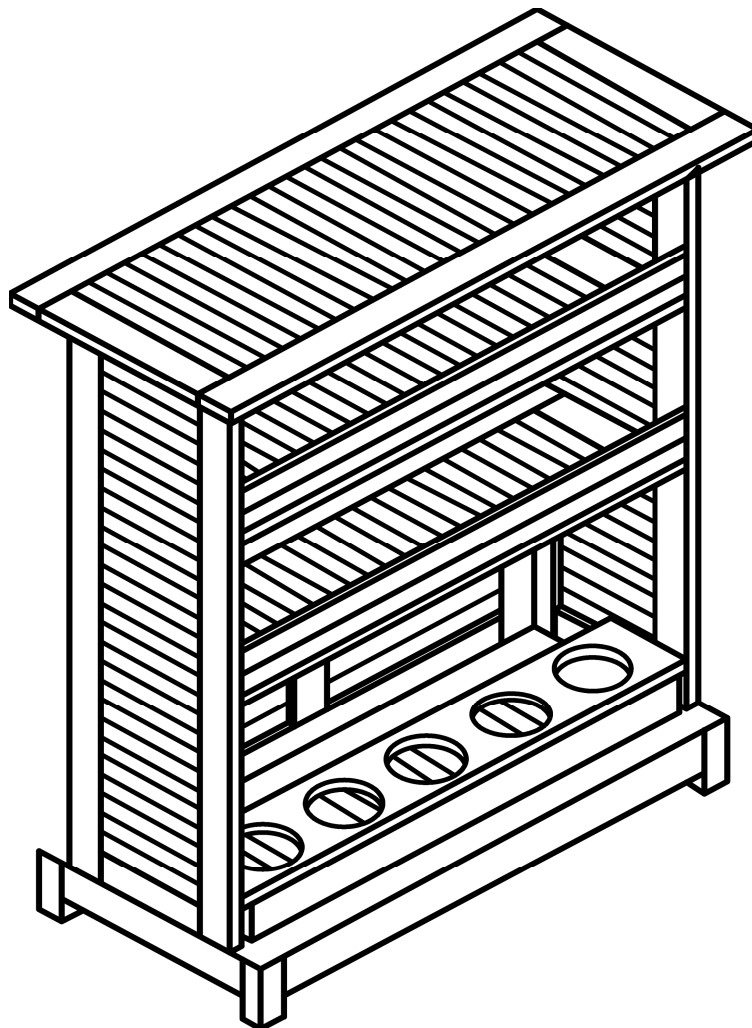


Assembly Instructions

Caution : You must read this before you proceed.

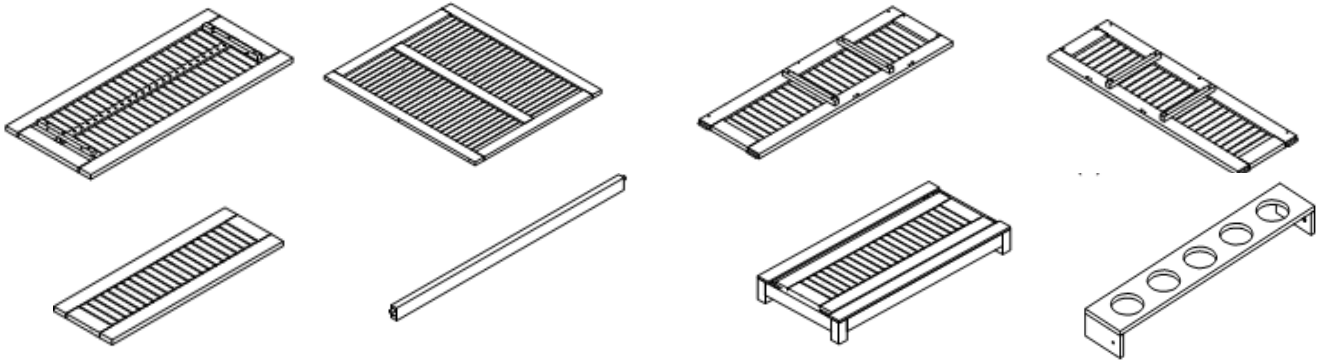
BAR CABINET



CAUTION : This PRODUCT is NOT a TOY.
Keep your child / children at bay during the assembly process.
For turning/lifting the Bar Table and to prevent damage to the Bar Table, three adults are required.

Assembly Preparation

Before Beginning Assembly:



- Read instructions, cover to cover-



- Have 2 adults on hand for assembly-



- Do not assemble on flooring or carpet-



- Assemble on a clean non-marring surface (packing foam)-




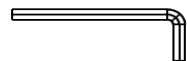


- Save all packaging until finished-

Parts List

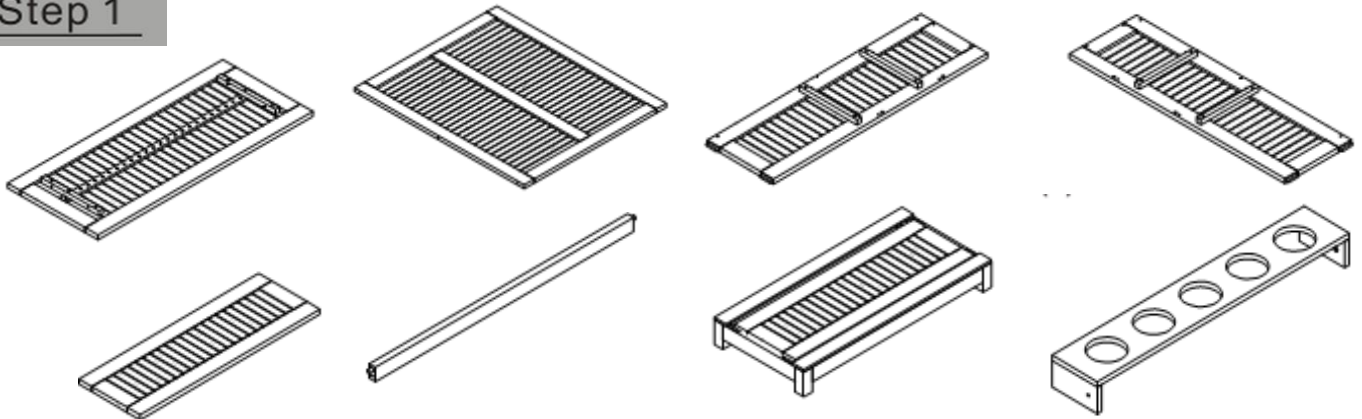
NO.	Picture	Description	QTY
A		Table Top	1
B		Front Panel	1
C		Left Side Panel	1
D		Right Side Panel	1
E		Shelf	2
F		Support bar	2
G		Base Stand	1
H		Bottle Holder	1

Hard ware

I		Long Screws (M7x90mm)	5
K		Medium Screws (M6x50mm)	11
L		Short Screws (M6x25mm)	7
M		Allen Key	1

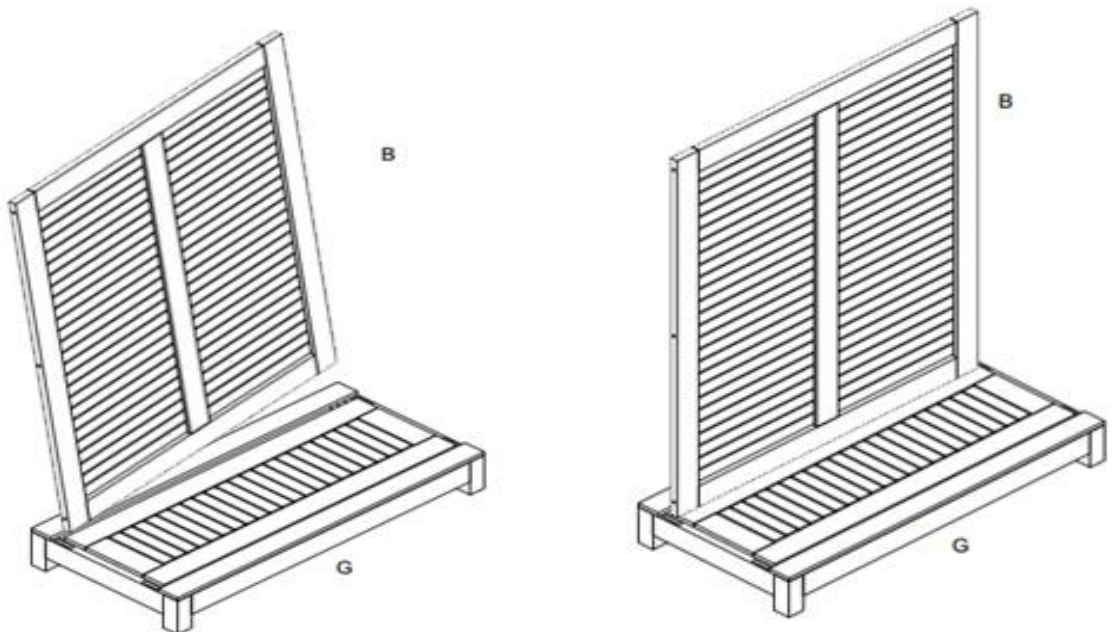
Assembly Step

Step 1



Unpack and place all parts on a clean, non-marring surface.

Step 2



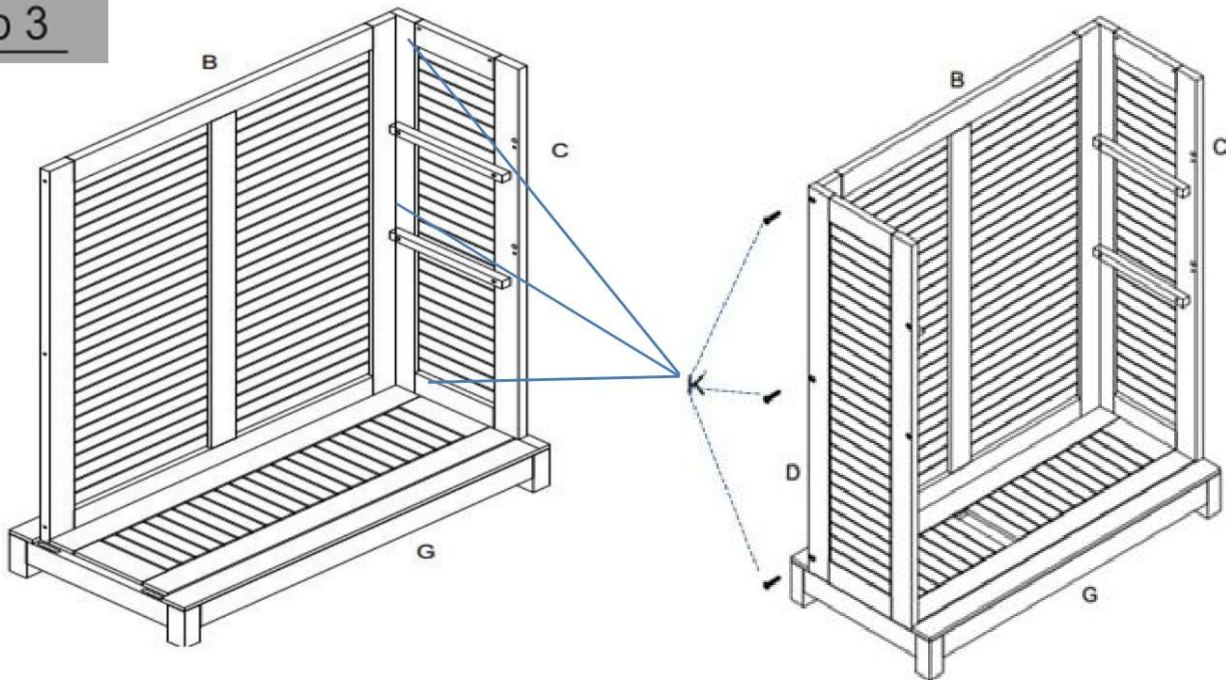
Place the Base Stand(G),right side up.

Align and insert Front Panel(B) into Base Stand(G) by inclining the corner, as pictured above.

Then, gently slide the entire Front Panel(B) into this slot housing.

CAUTION : This panel must be held in position whilst the SIDE PANELs are being attached.

Step 3

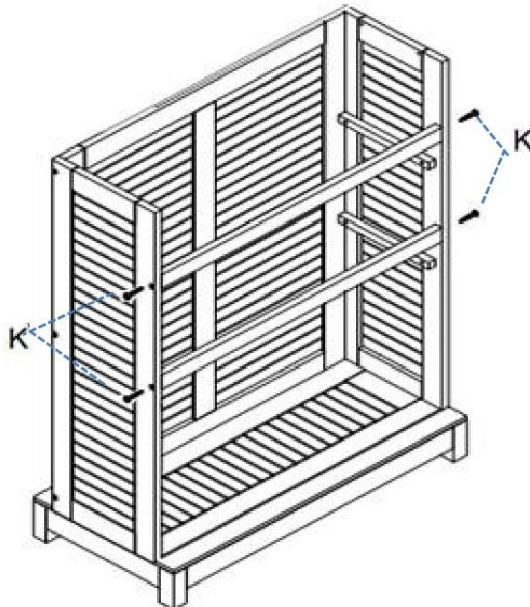


Pic. 1

Pic. 2

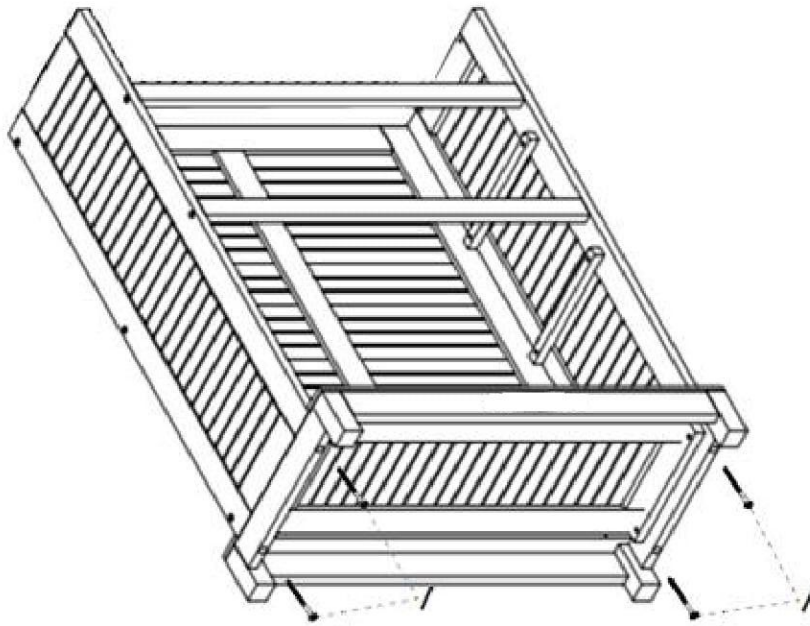
Align and insert Left Side Panel(C), Right Side Panel(D) into Base Stand(G) with Tenons on the Side Panels snugly fitting into the Mortises in Base Stand(C) as picture 1
Align the Mouting Positions of the Left Side Panel(C) with those on the Front Panel(B).
Insert Medium Screws(K) through the Mounting Positions and affix using Allen Key(M) and slightly tighten the Screws as picture 2
Repeat the same process with the Right Side Panel(D).
DO NOT overtighten the Screws.

Step 4



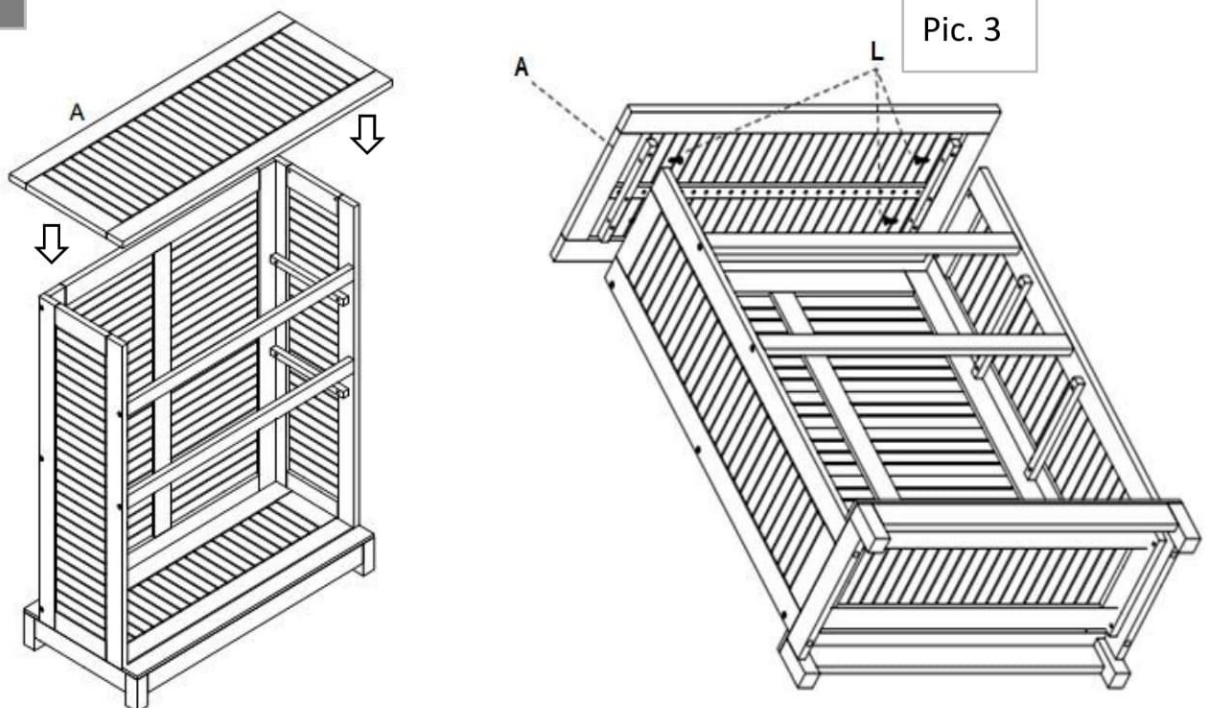
Align and insert Support Bars(F) into Left Side Panel(C) with Tenons on the bars snugly fitting into the Mortises in Left Side Panel(C).
Insert Medium Screws(K) through the Mounting Positions and affix using Allen Key(M).
Repeat the same process with the Right Side Panel(D).
DO NOT overtighten the Screws.
Each screw is to be driven in sequentially.

Step 5



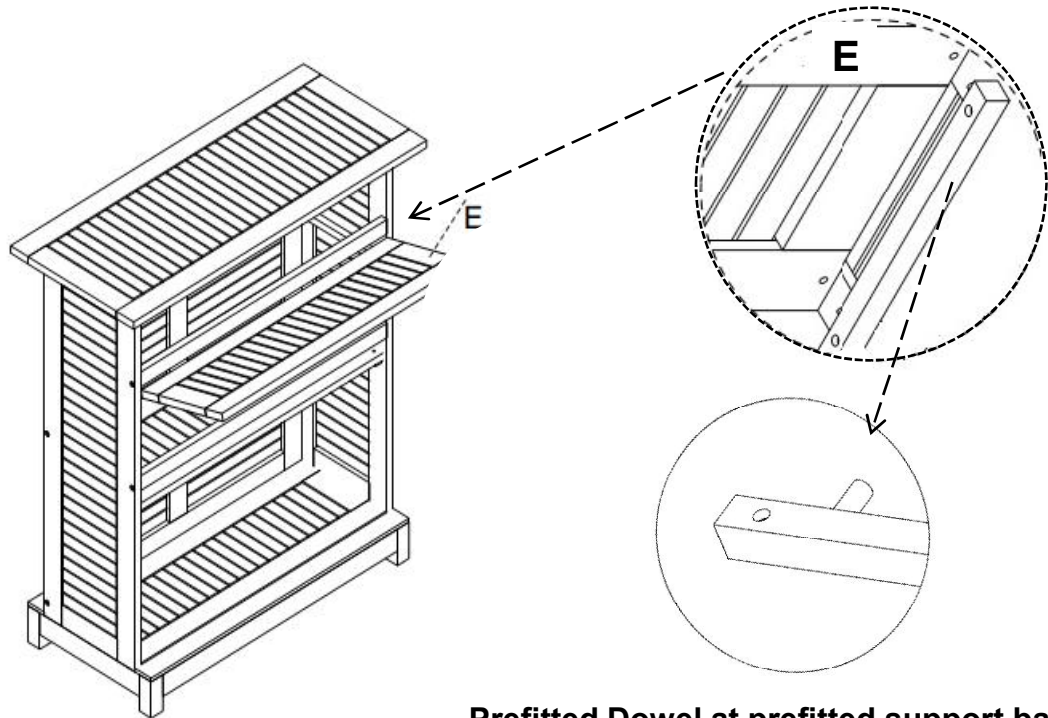
Place the Cabinet as shown in the above picture..
Align and insert the Long Screws(I) through the Mounting Positions and affix to Base Stand(G) by using Allen Key(M).

Step 6



Carefully stand the Cabinet up.
Put the Table Top(A) onto the Cabinet.
Push Table Top(A) forward until the Mounting Positions are aligned.
To affix the Table Top(A) insert the Short Screws(L) through the Mounting Positions of the Cabinet and Table Top(A) with Allen Key(M).
The Bolt connecting points are found on the inside of the Cabinet as indicated in Pix. 3 marked by the "L" position.
DO NOT overtighten the Screws.

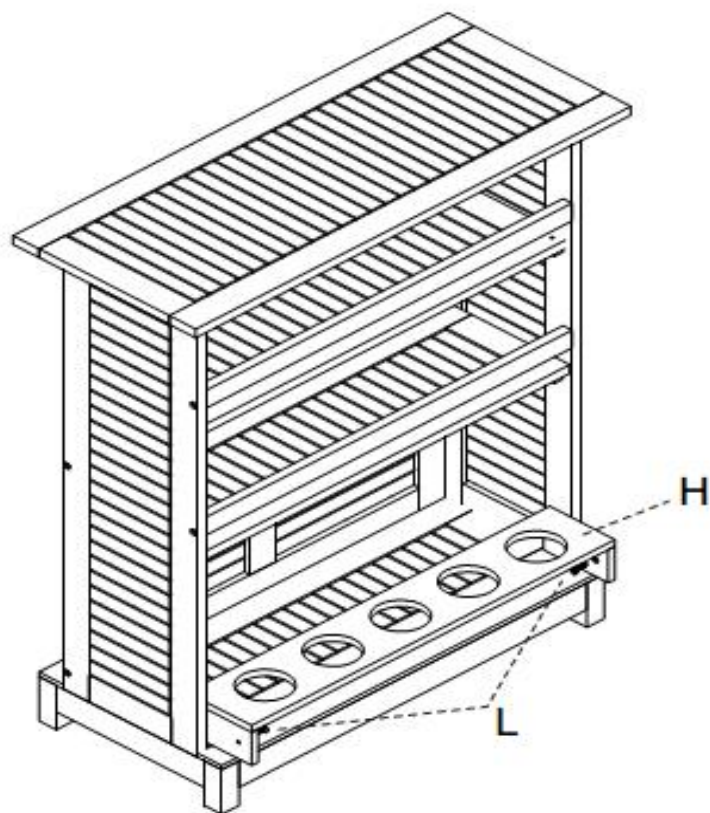
Step 7



Prefitted Dowel at prefitted support bar

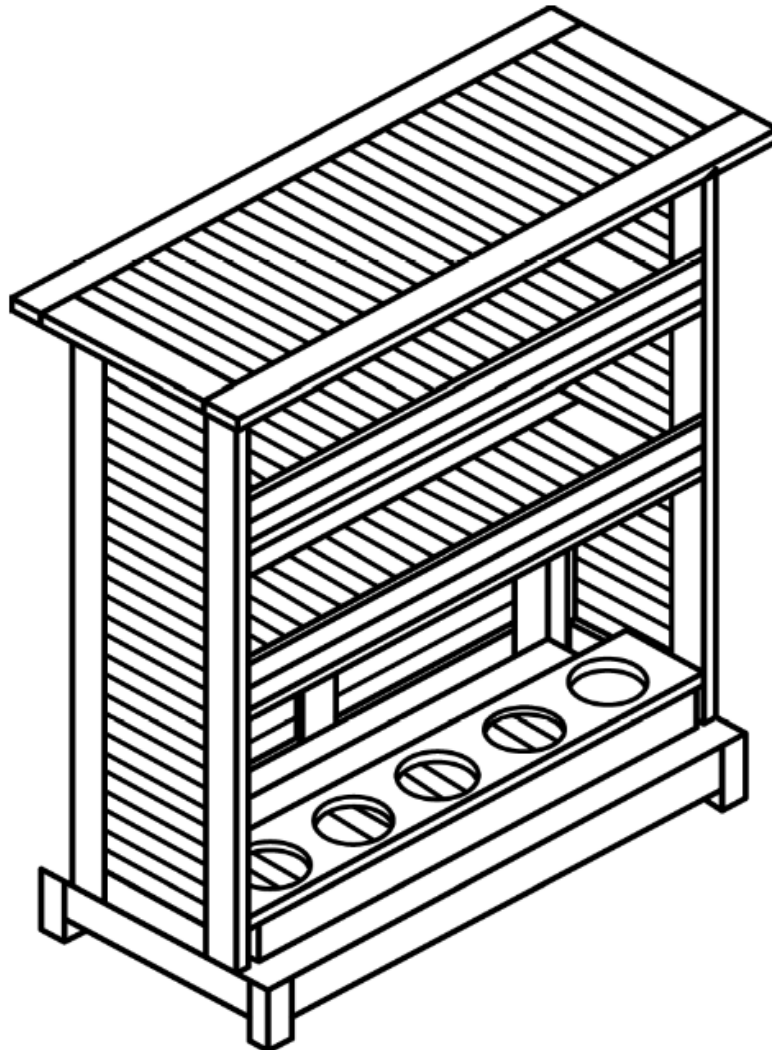
Align and insert the Shelves(E) with Mounting Position : **prefitted Dowel at prefitted support bars** on the side of the Cabinet.

Step 8





















Align and insert the Bottle Holder (H) on the Base Stand (G).
Insert the Short Screws (L) through the mounting position and affix the Tray (H) by using Allen Key (M).

Step 9



Proceed to fully tighten all Screws, in a sequential manner.
Ensure that all Screws are securely tightened.
Your Bar Cabinet is ready for use.

Care & Maintenance

-   ● Do not put hot items directly on furniture surface
 -   ● Do not clean furniture with harsh cleansers or polish.
 -   ● To obtain the longest lifespan of your outdoor products, minimizing exposure to direct sunlight is recommended.
 -   ● Children should not climb or jump on the furniture.
 -   ● Do not write on furniture without a padded barrier to protect the surface.
 -   ● To obtain the longest lifespan of your outdoor products, avoid extended and lengthy exposure to rain, snow, and direct sunshine. Whenever possible cover the product and /or place under patio or awnings.
 -   ● Not for commercial use. For residential use only .
 -   ● Stains may be removed with mild soap solution and damp cloth.
-
-   ● Dust and pick-up spills using a clean, non-colored, lint-free cloth .

Questions & Answers about Proposition 65

• What is Proposition 65?

Proposition 65 requires businesses to provide warnings to Californians about significant exposures to chemicals that cause cancer, birth defects or other reproductive harm.

These chemicals can be in the products that Californians purchase, in their homes or workplaces, or that are released into the environment. By requiring that this information be provided, Proposition 65 enables Californians to make informed decisions about their exposures to these chemicals.

Proposition 65 also prohibits California businesses from knowingly discharging significant amounts of listed chemicals into sources of drinking water.

Proposition 65 requires California to publish a list of chemicals known to cause cancer, birth defects or other reproductive harm. This list, which must be updated at least once a year, has grown to include approximately 900 chemicals since it was first published in 1987.

• What types of chemicals are on the Proposition 65 list?

The list contains a wide range of naturally occurring and synthetic chemicals that include additives or ingredients in pesticides, common household products, food, drugs, dyes, or solvents. Listed chemicals may also be used in manufacturing and construction, or they may be byproducts of chemical processes, such as motor vehicle exhaust.

• What does a warning mean?

If a warning is placed on a product label or posted or distributed at a workplace, a business, or in rental housing, the business issuing the warning is aware or believes that it is exposing individuals to one or more listed chemicals.

By law, a warning must be given for listed chemicals unless the exposure is low enough to pose no significant risk of cancer or is significantly below levels observed to cause birth defects or other reproductive harm.

• Where can I get more information on Proposition 65?

If you have specific questions on the administration or implementation of Proposition 65, you can contact OEHHA's Proposition 65 program at P65.Questions@oehha.ca.gov, or by phone at (916) 445-6900.