
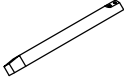






**5 PIECE PUB SET**

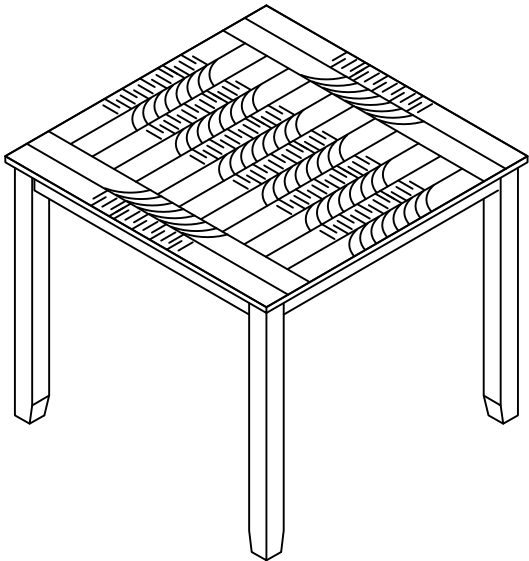
**ASSEMBLY INSTRUCTIONS**

**5 PIECE PUB TABLE PART LIST**

PART	DRAWING	DESCRIPTION	QTY
A		TABLE TOP	1
B		TABLE LEGS	4

PART	DRAWING	DESCRIPTION	QTY
H1		BOLT (Ø5/16" * 2-1/8")	8
H2		SPRING WASHER (Ø5/16")	8
H3		FLAT WASHER (Ø5/16")	8
H4		ALLEN KEY (M4)	1

**NOTE:** If needed, only part H1 - H4 are available for replacement.



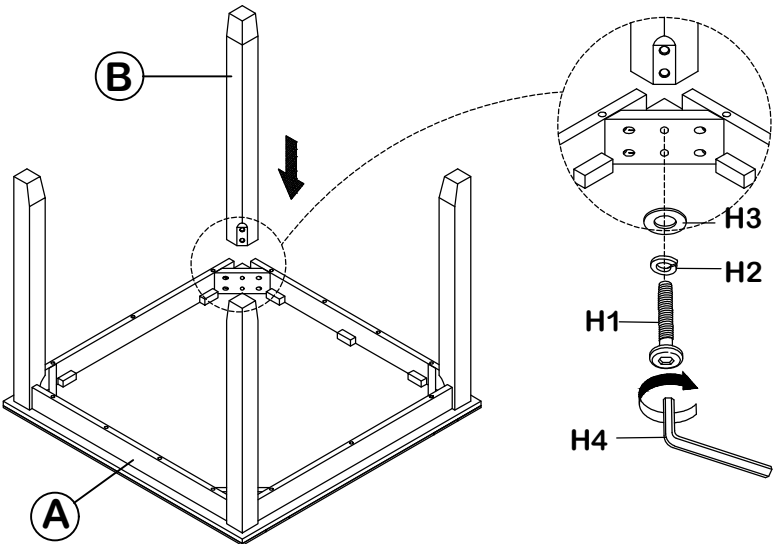
COMPLETED 5 PIECE PUB TABLE ASSEMBLY

**PLEASE NOTE:** With use, screw may become loose & must be tightened periodically.

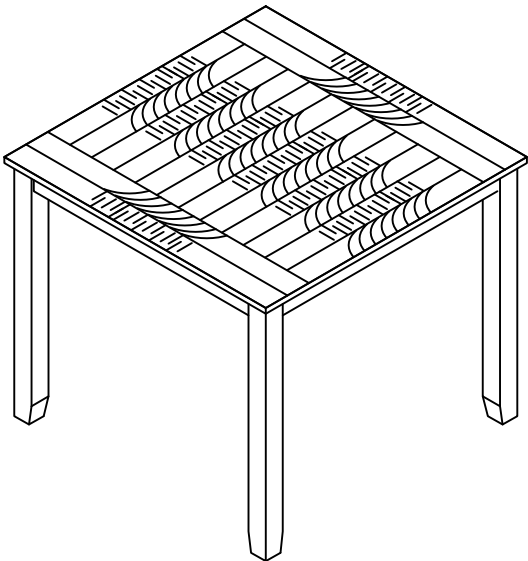


**ASSEMBLY INSTRUCTIONS**

**STEP 1** "Please lay the Table top on a soft, clean surface" to assemble



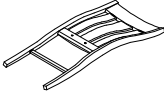

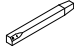
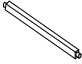
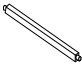
**COMPLETED ASSEMBLY**










PLEASE NOTE: With use, screw may become loose & must be tightened periodically.

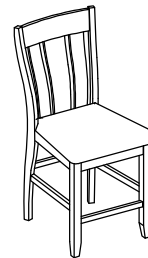
**ASSEMBLY INSTRUCTIONS**

**5 PIECE PUB COUNTER CHAIR PART LIST**

PART	DRAWING	DESCRIPTION	QTY
A		CHAIR BACK	1
B		CUSHION SEAT	1
C		FRONT LEGS (L/R)	2
D		SIDE STRETCHER (L/R)	2
E		FRONT STRETCHER	1

PART	DRAWING	DESCRIPTION	QTY
H1		SHORT BOLT (Ø1/4" * 1-1/2")	2
H2		MEDIUM BOLT (Ø1/4" * 2-3/8")	4
H3		LONG BOLT (Ø1/4" * 3")	4
H4		SPRING WASHER (Ø1/4")	10
H5		FLAT WASHER (Ø1/4")	10
H6		ALLEN KEY (M4)	1
H7		SCREW (#4* 1-1/2")	6

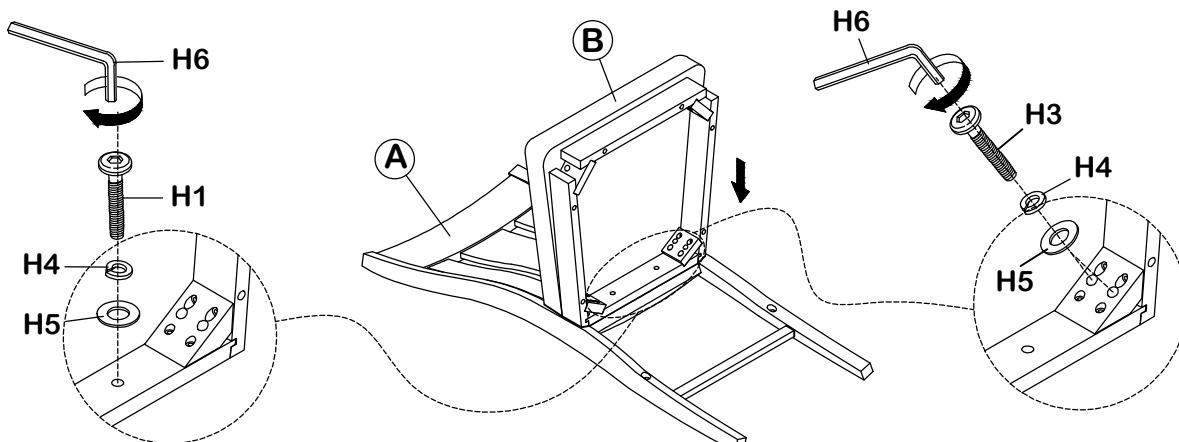
NOTE: If needed, only part replacement. C-E and H1-H7 are available for.



COMPLETED 5 PIECE PUB COUNTER CHAIR ASSEMBLY

**STEP 1**

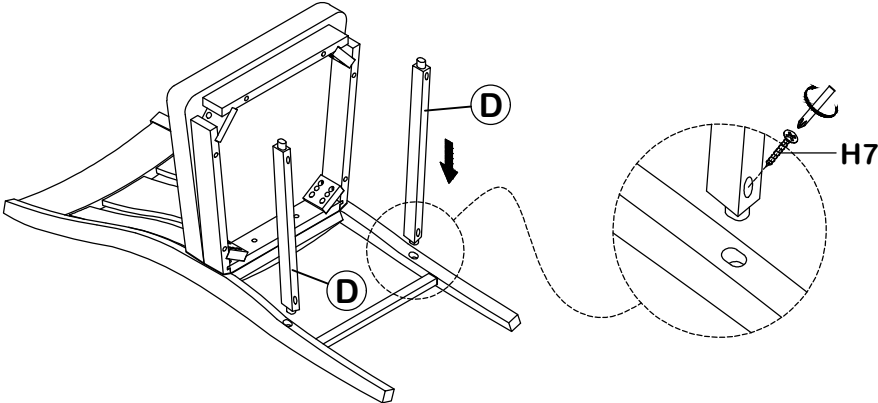
“Please lay the chair back on a soft, clean surface” to assemble



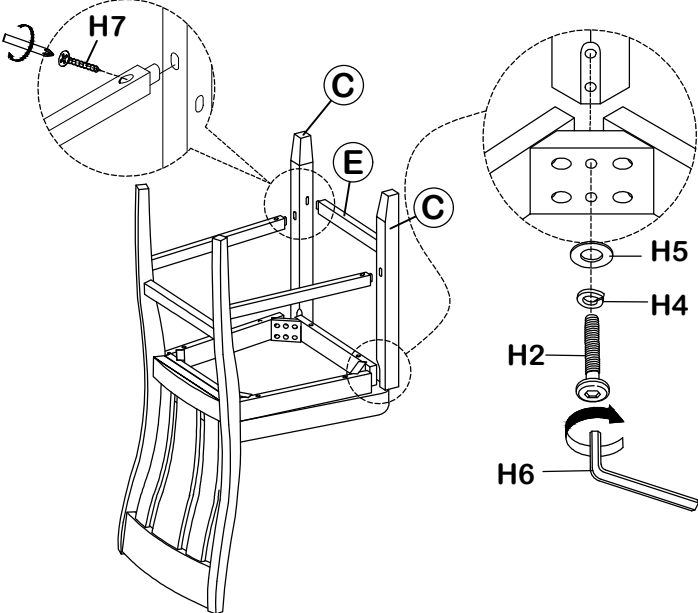
PLEASE NOTE: With use, screw may become loose & must be tightened periodically.

**ASSEMBLY INSTRUCTIONS**

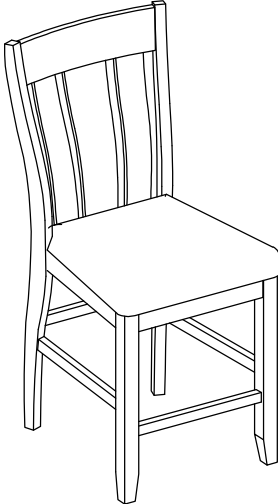
**STEP 2** "Please lay the chair back on a soft, clean surface" to assemble



**STEP 3**



**COMPLETED ASSEMBLY**



PLEASE NOTE: With use, screw may become loose & must be tightened periodically.