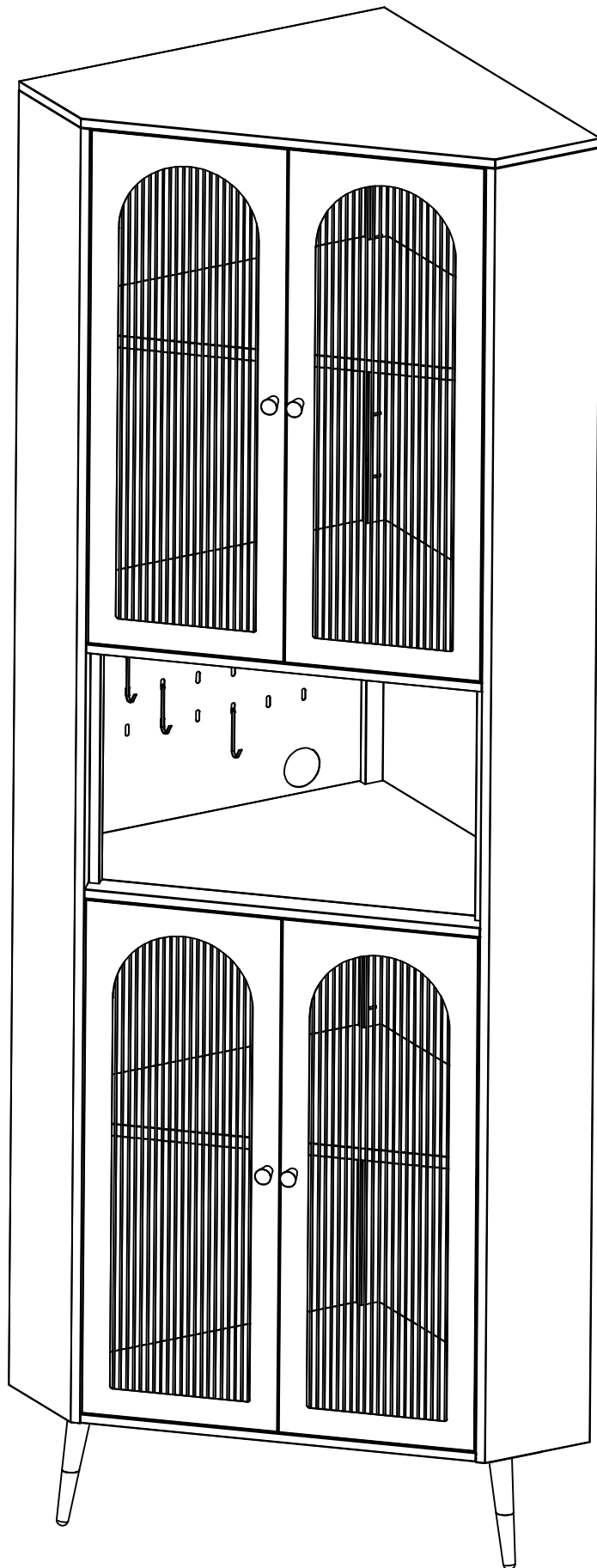


Assembling Guide

Thank you for choosing our product!



2 PERS



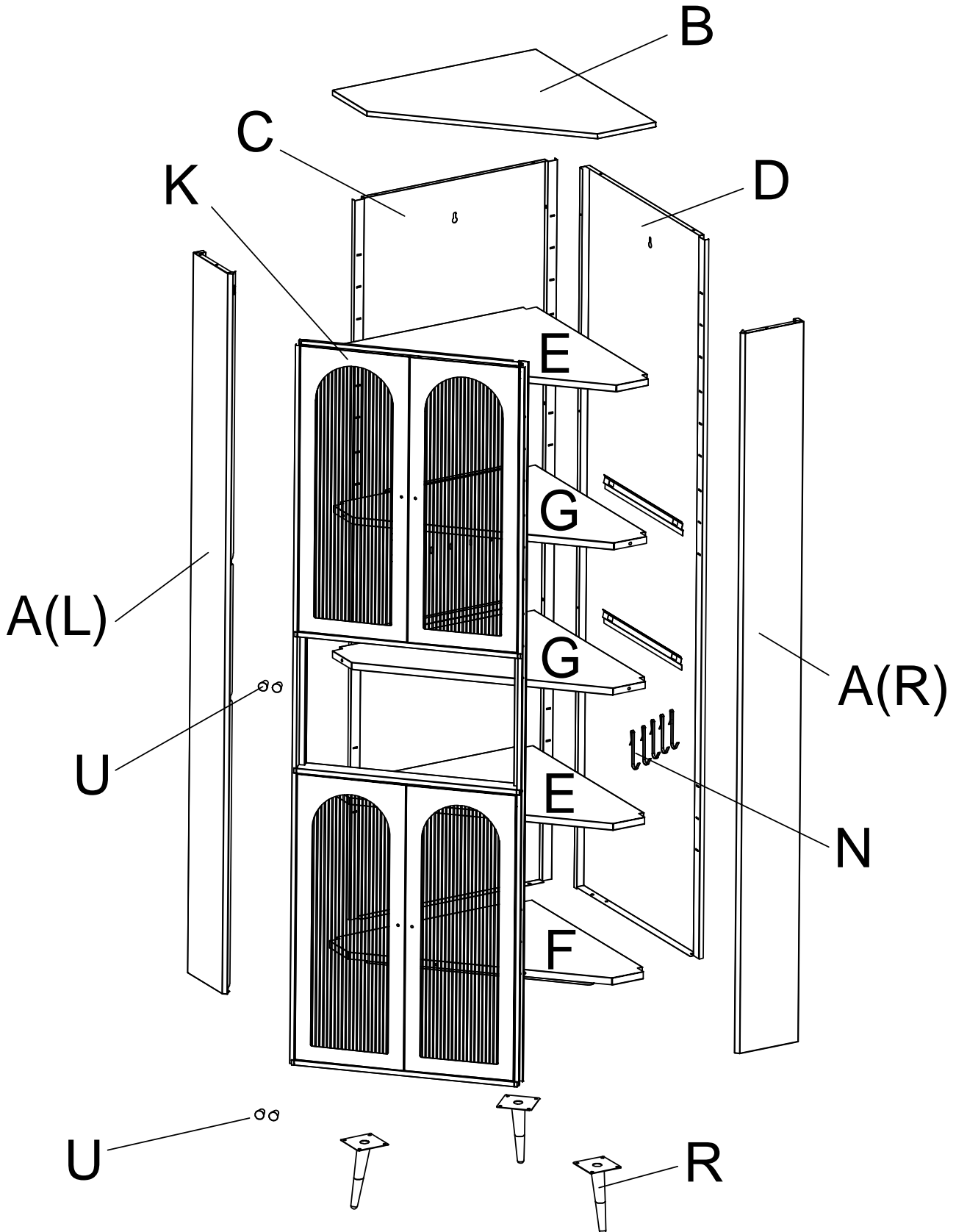
30 MINS

 **WARNING!**

If furniture is tipped over, it may cause serious injury or even death. To prevent tip-over of this furniture, be sure to use it with the wall attachment devices provided. Use the appropriate screws and plugs for your wall.

If the supplied wall attachment devices do not match the walls in your home, consult your local professional to use screws and plugs that fit your walls. Please read and follow each step in the instructions carefully.

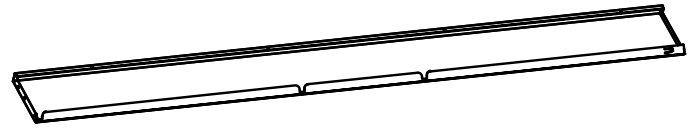
Please pay attention to the iron corner protectors and cabinet parts inside the package. If the iron corner guard is damaged, you can just discard it; if you find any broken or damaged cabinet parts, please contact customer service immediately for replacement. Sharp edges of metal parts can cause serious injury.



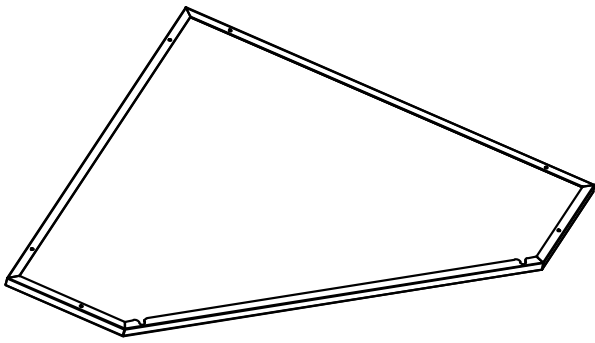
A(L) x1 Left Panel



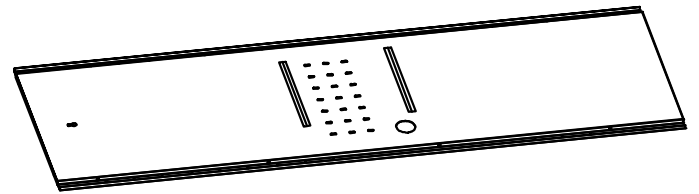
A(R)x1 Right Panel



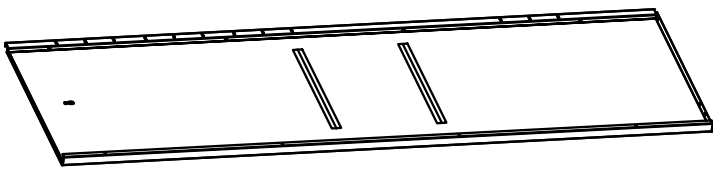
Bx1 Top Panel



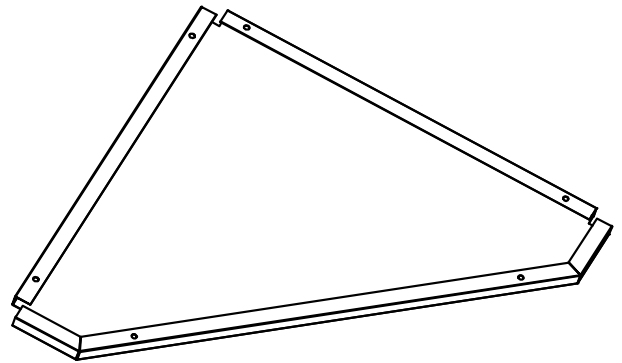
Cx1 Left Back Panel



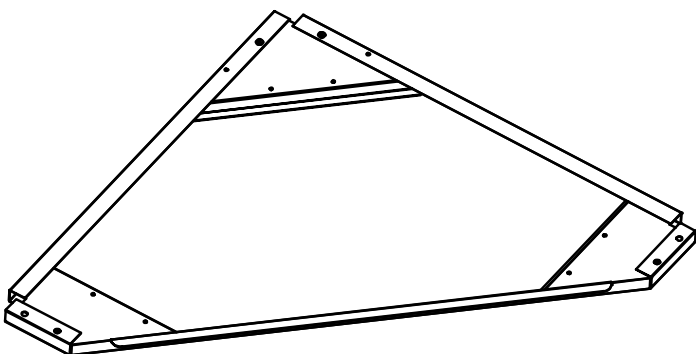
Dx1 Right Back Panel



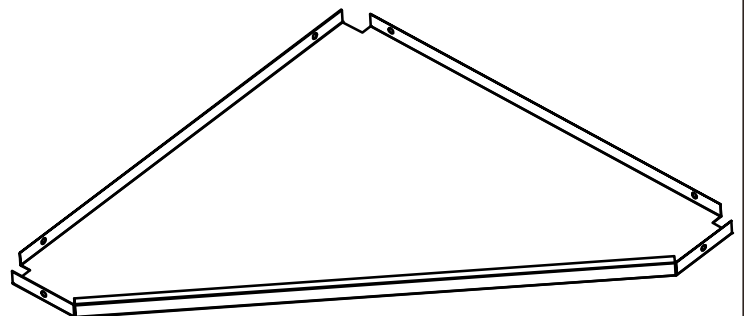
Ex2 Shelf



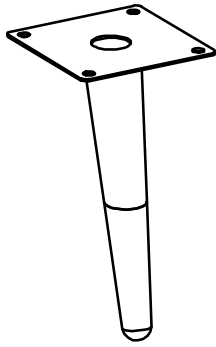
Fx1 Bottom Panel



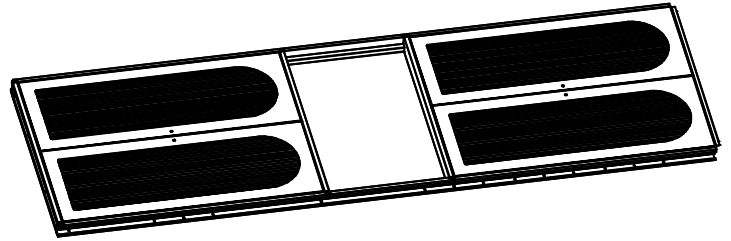
Gx1 Middle Panel



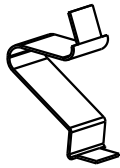
Rx3 Foot Stand



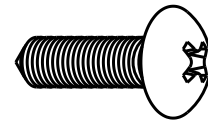
Kx1 Door



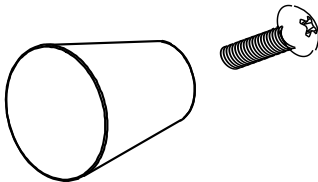
Tx14 Shelf Clip



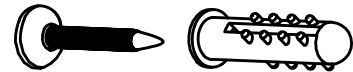
Sx34 Screw



Ux4 Handle with screws



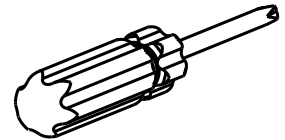
V x2 Expansion screws



Nx5 Hook

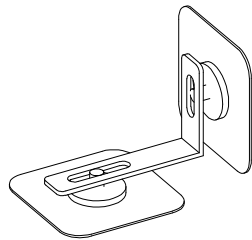


Screwdriver



*It would be better if you could use power tools for installation.

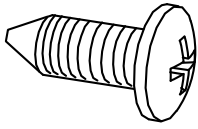
Wx2 anti-tip patch



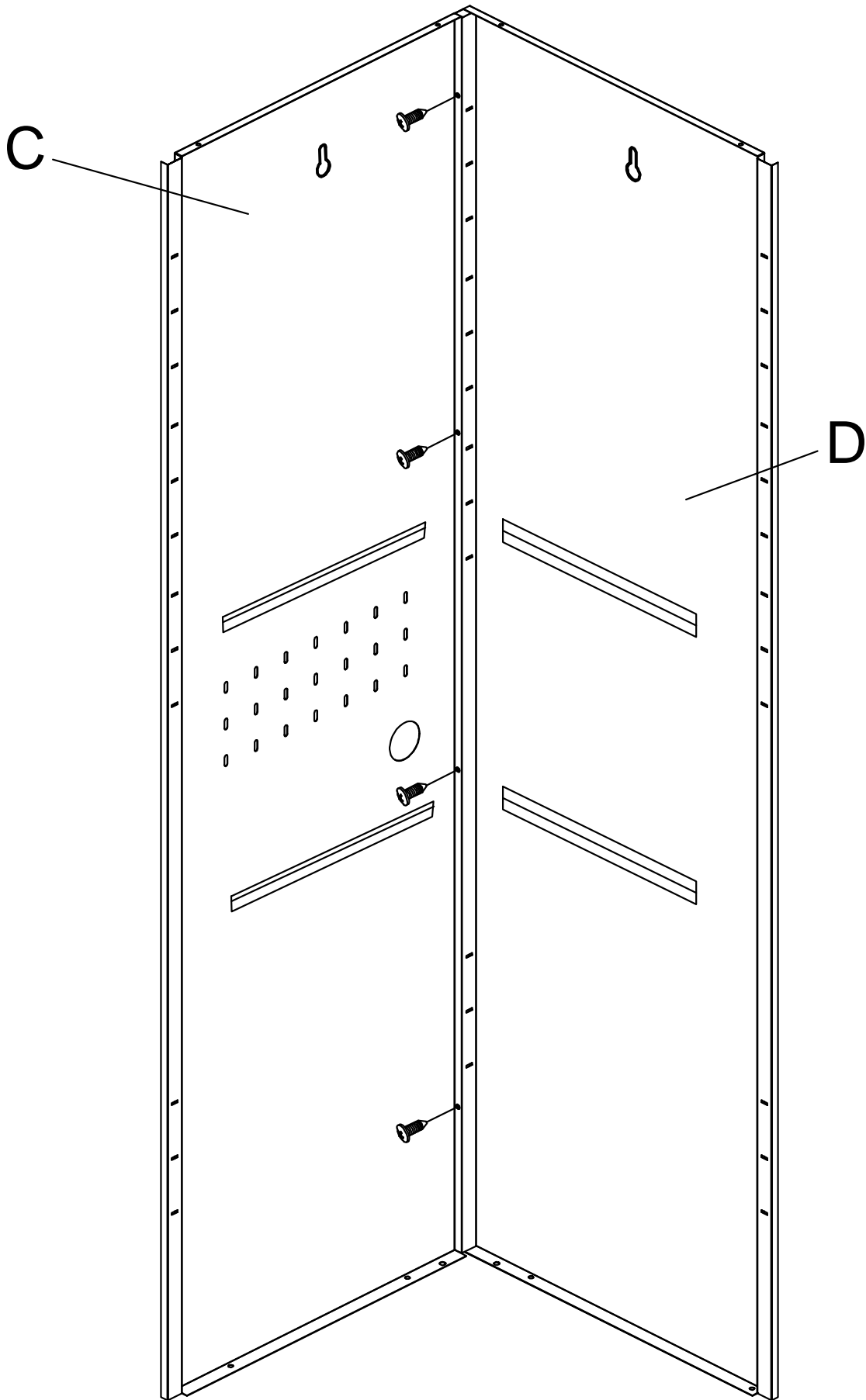
We always provide some extra screws for backup. Don't worry if you have some left over after installation.

STEP 1 Install the back.

S x4

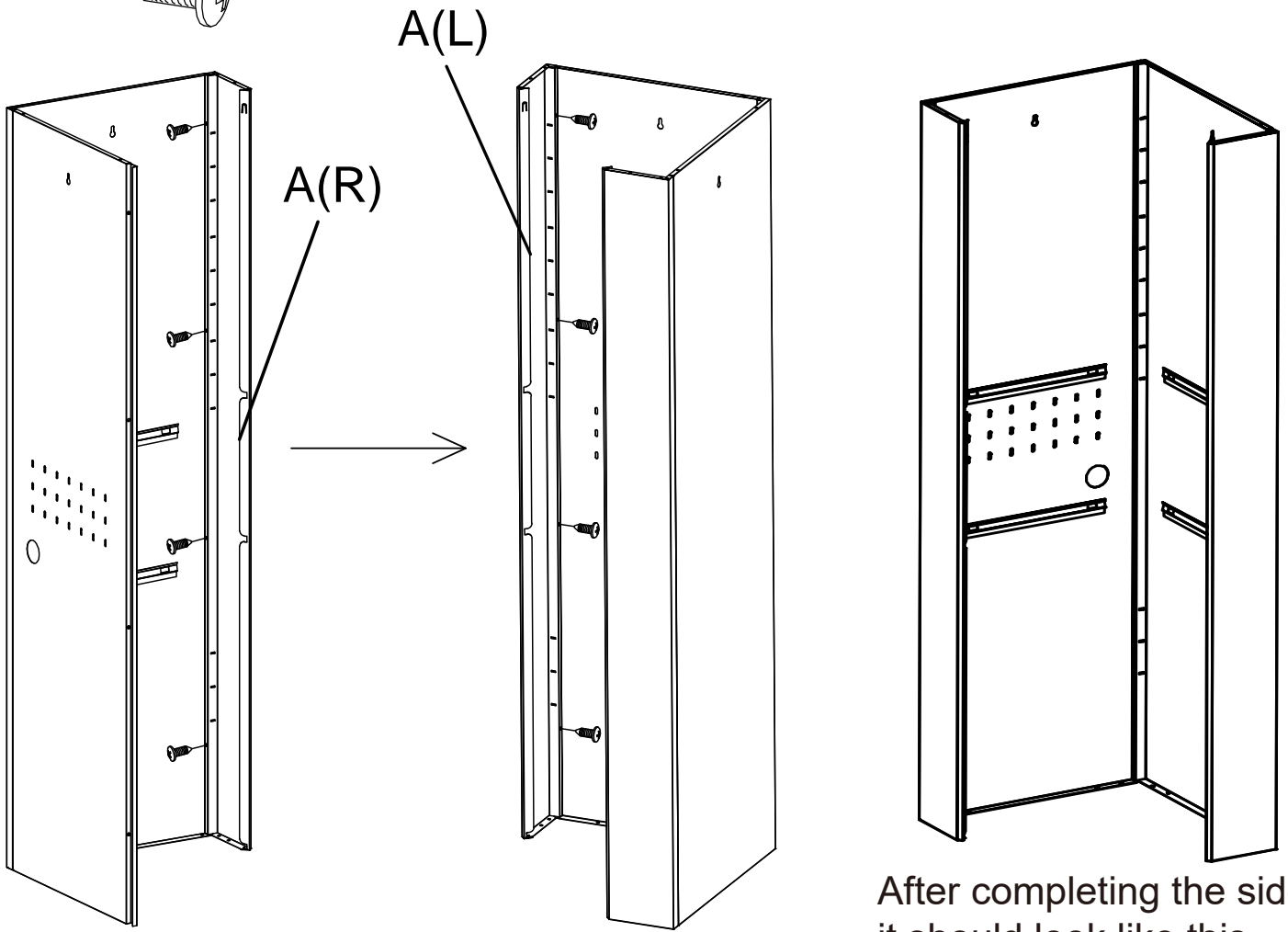
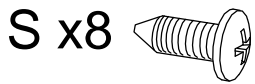


Attach D to C, and secure with 4 S screws.



STEP 2 Install the sides.

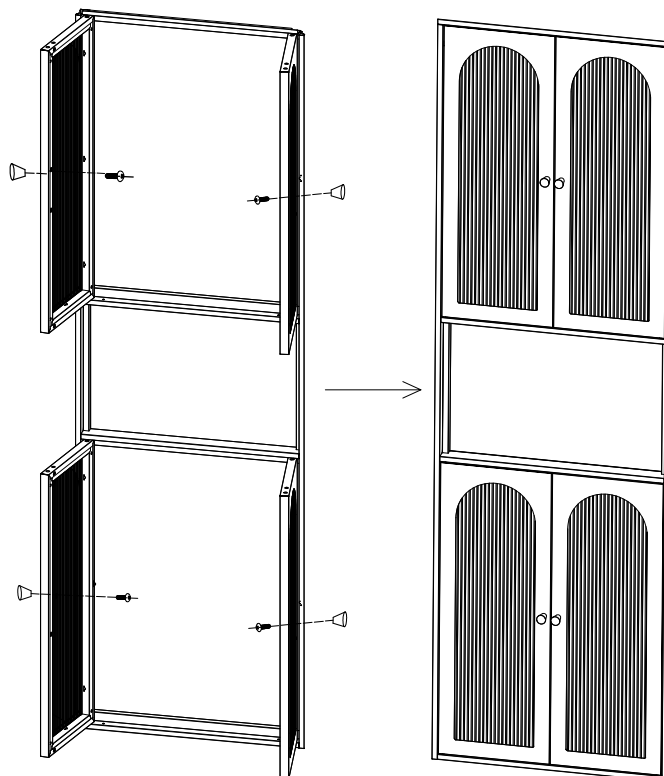
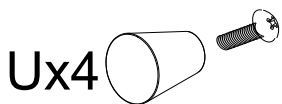
Attach A (L) and A(R)to the back, and secure with 8 S screws.



After completing the sides, it should look like this.

STEP 3 Install the door handles.

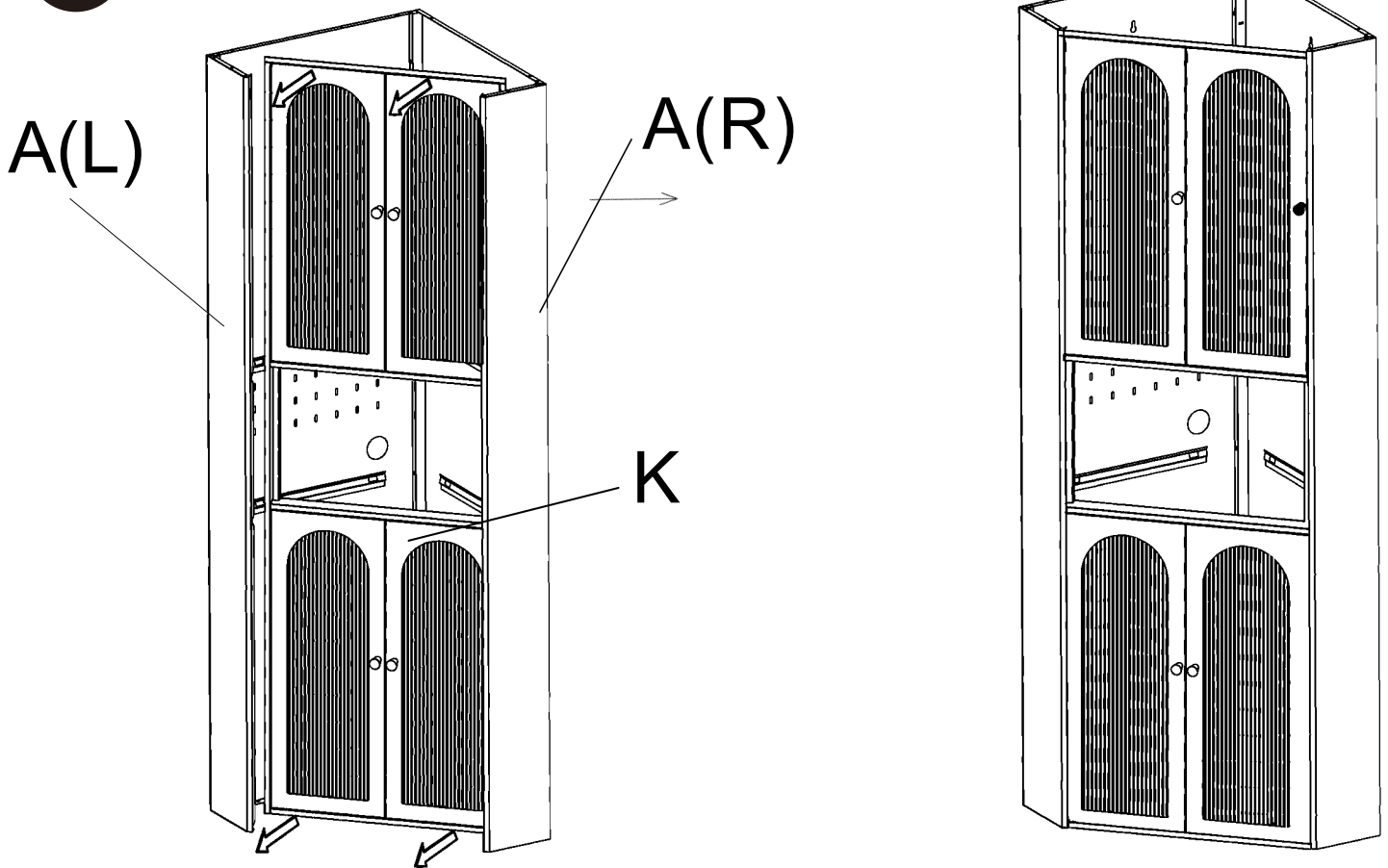
Secure the U handles to the door with its screws .



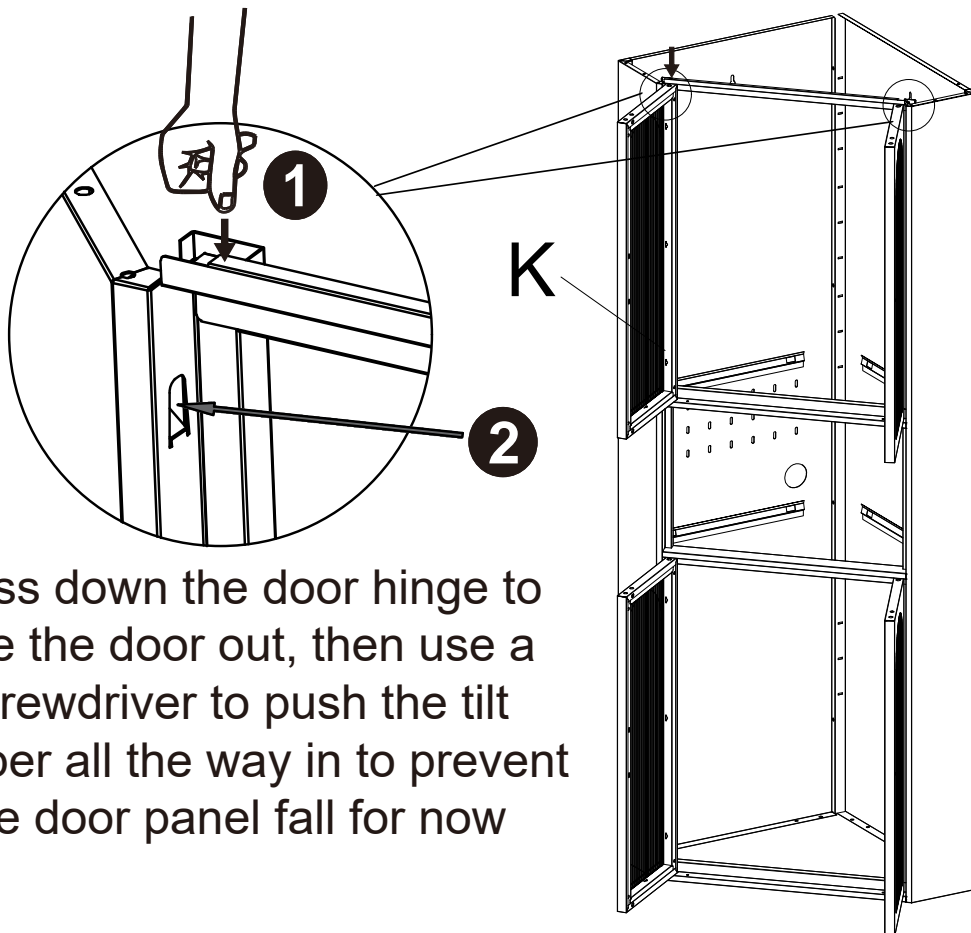
STEP 4 Install the door.

First, fully place the door panel inside the cabinet body, then pull it outward, and click into the edge of A(L) & A(R).

1

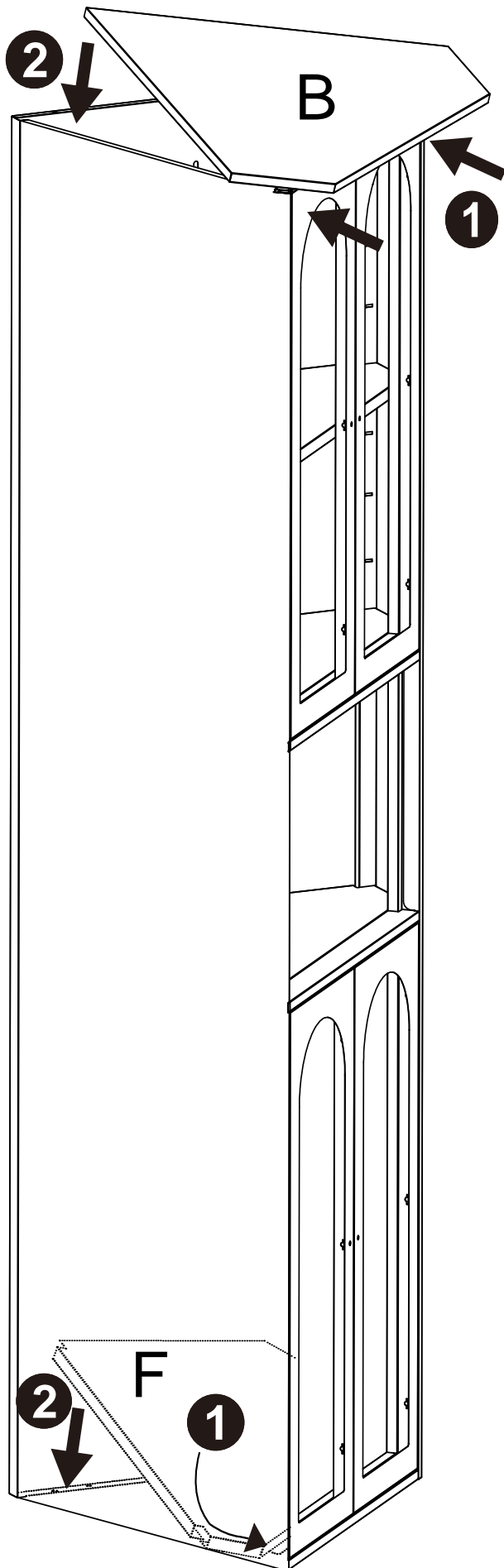


2



Press down the door hinge to take the door out, then use a screwdriver to push the tilt stopper all the way in to prevent the door panel fall for now

STEP 5 Install the top and bottom.



First, insert the front end of the top panel into the gap of the upper door frame.

Second, lower the rear end of the top panel onto the cabinet body

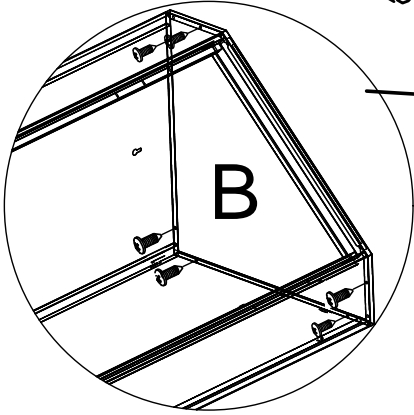
First, insert the front end of the bottom panel under the lower door frame.

Second, lower the rear end of the bottom panel.

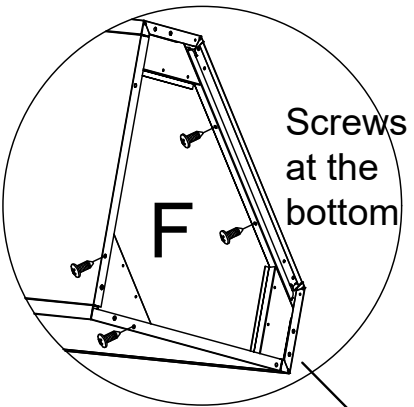
*If the bottom plate cannot be placed smoothly, it indicates that the cabinet body is not aligned. Please continuously sway the cabinet until the bottom panel can be pressed down smoothly.

S x22 

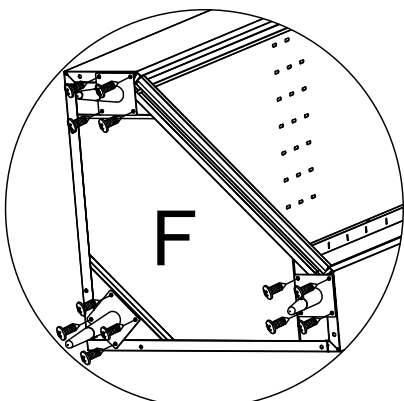
1 S x6 



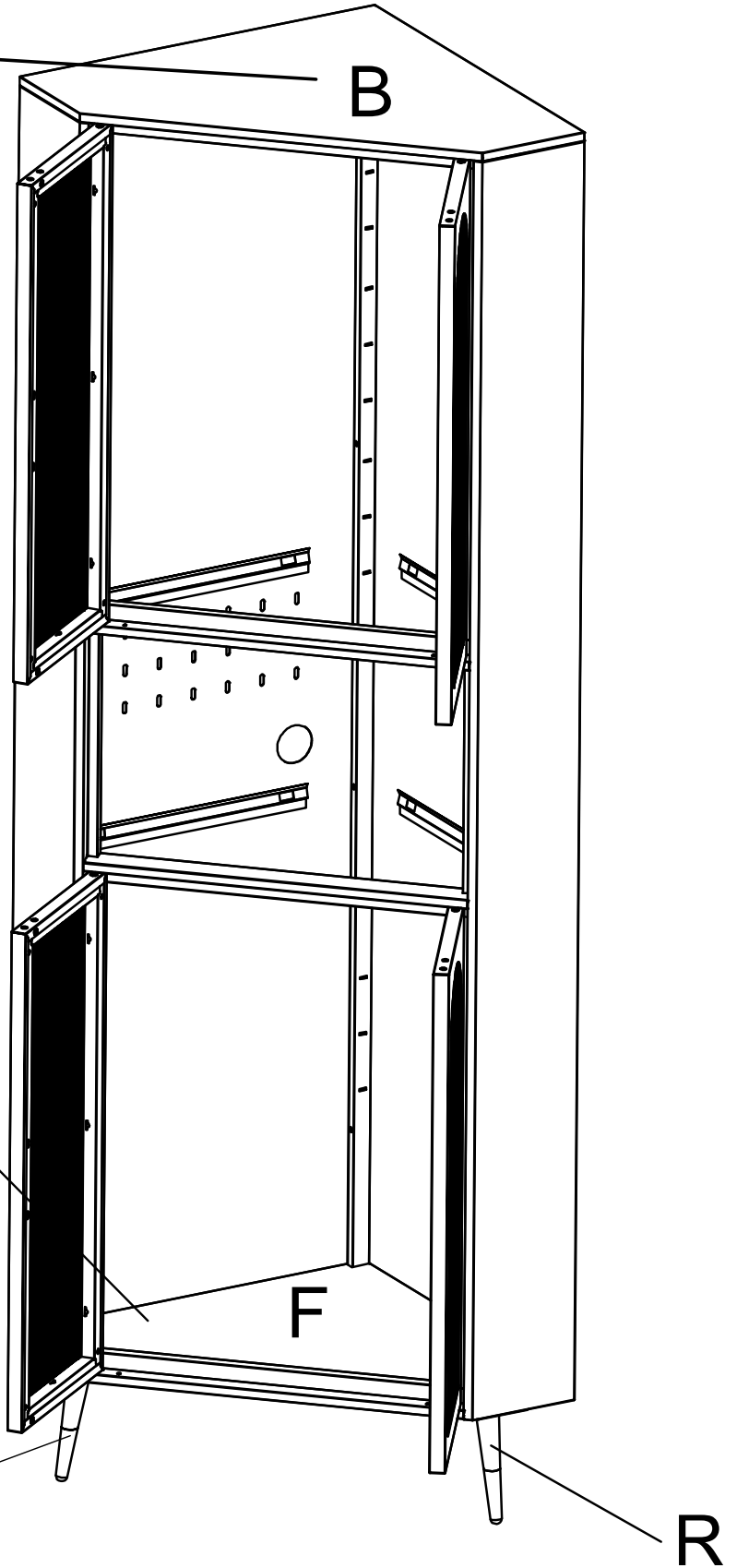
2 S x4 



3 S x12 



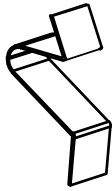
Install the legs



STEP 7 Install the shelf.

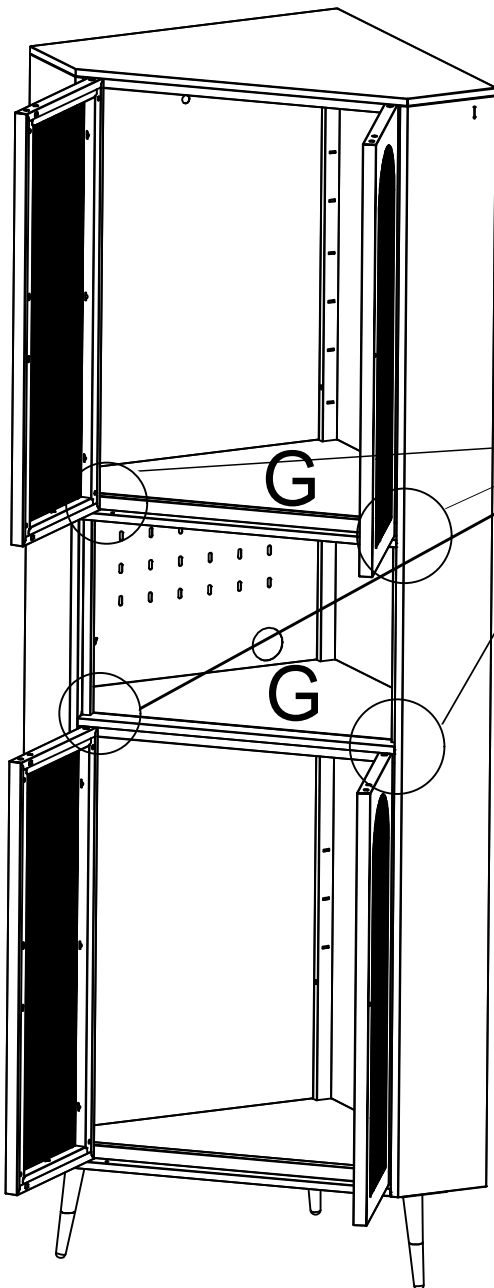
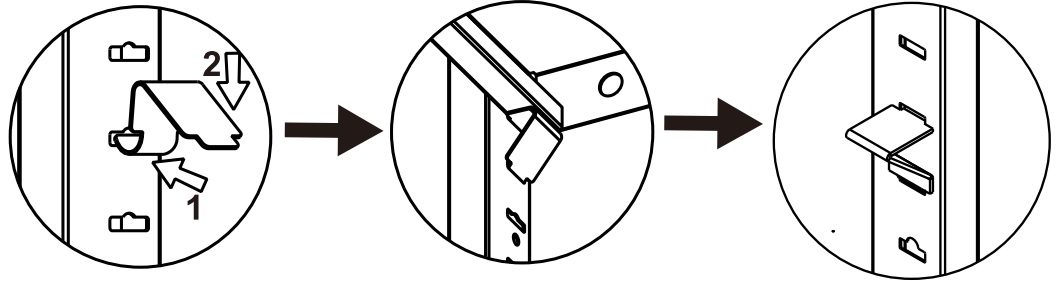
First to clip in T, then put G and E on it.

Tx14



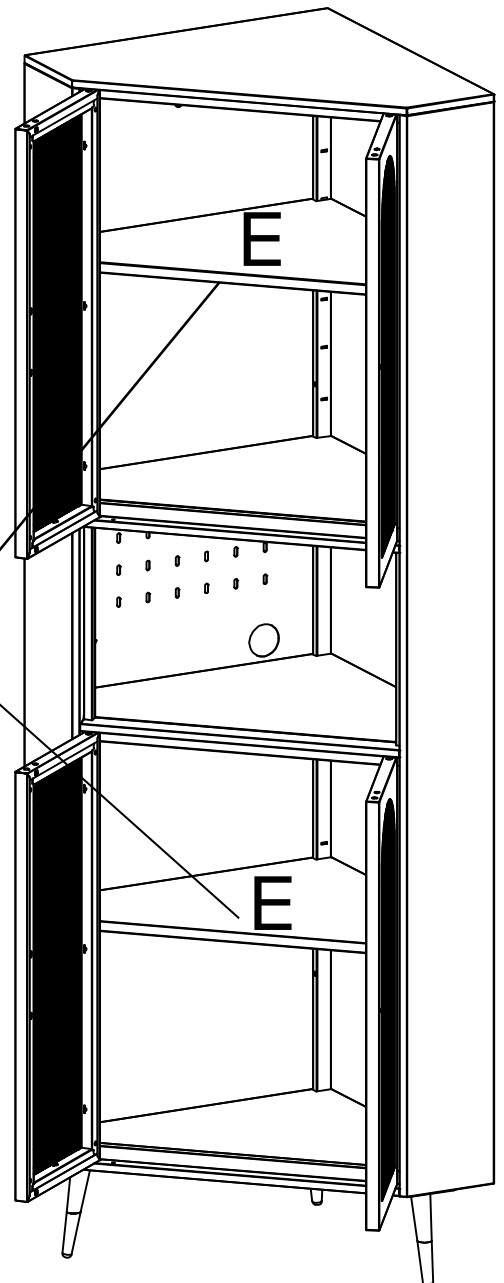
1. Insert bending side first
2. Fall down the flat side to secure

Now shelf can safely sits on it
Make sure the clips at corners
are at the same height.



1 Tx 4

2 Tx10

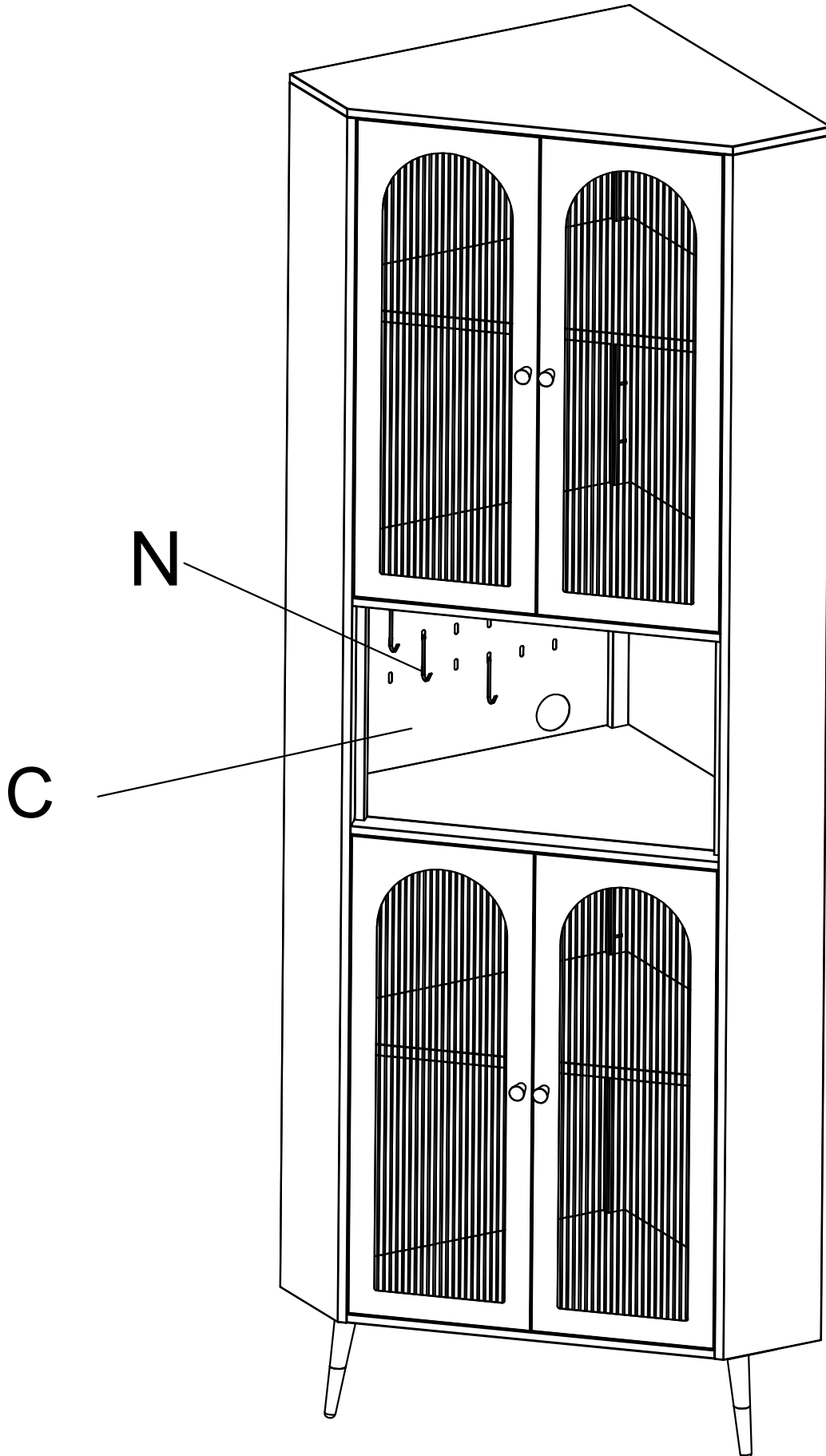


STEP 8 Install the hooks.

Nx5

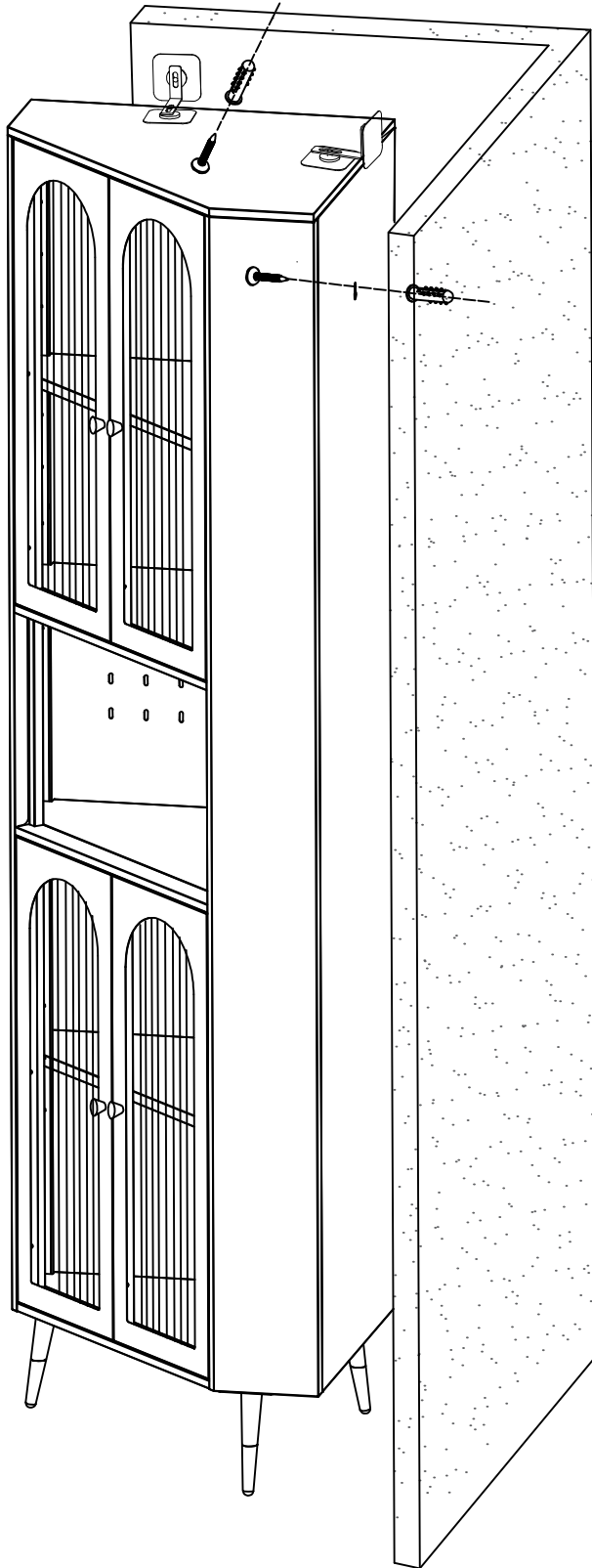


Hook N to the C panel as shown.

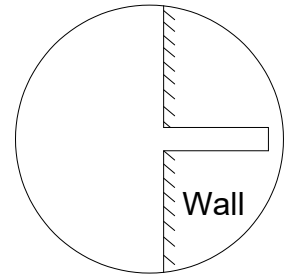


STEP 9 Install the anti-tilt device.

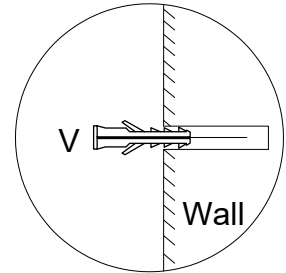
 This step **MUST** be fully completed to prevent the cabinet from tipping over.



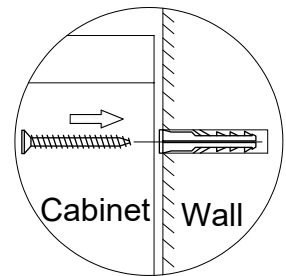
1 Install expansion screws



1. Drill holes on the wall



2. Insert V



3. Fasten the screw from cabinet

2 Install anti-tip patch



1. Clean the surface

2. Peel off the sticker

3. Align it with the wall and the cabinet, then press firmly to remove excess air



4. Put the metal bar on



5. Put the cap on



6. Positioning the cabinet against to the wall, fully tighten all the nuts.