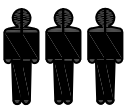
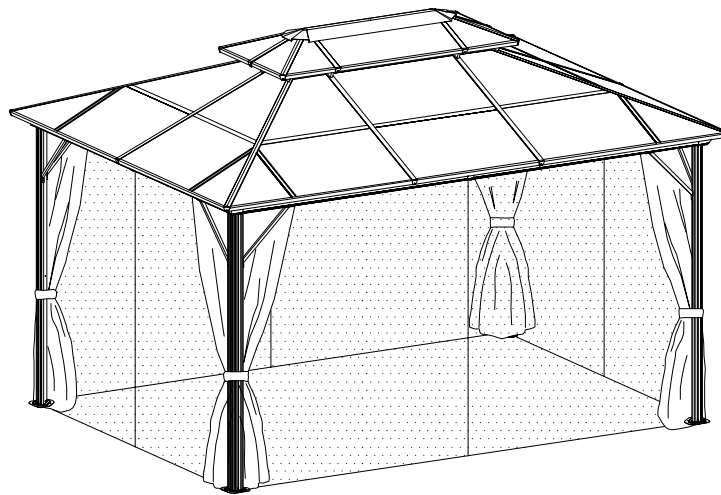


12 x 16 FT

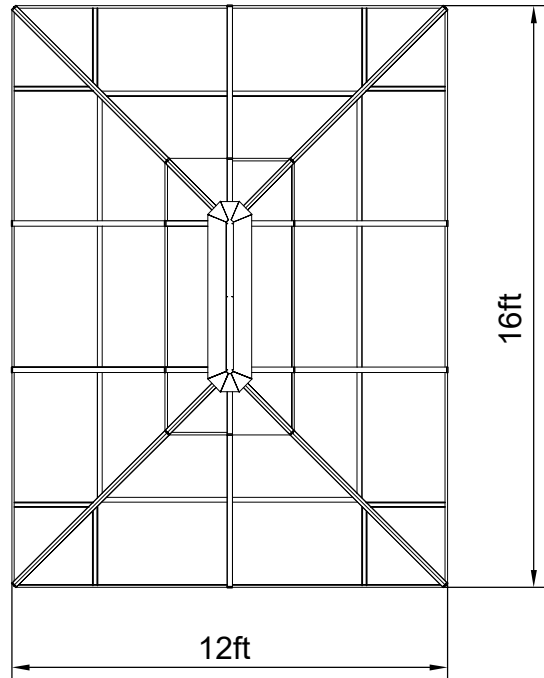
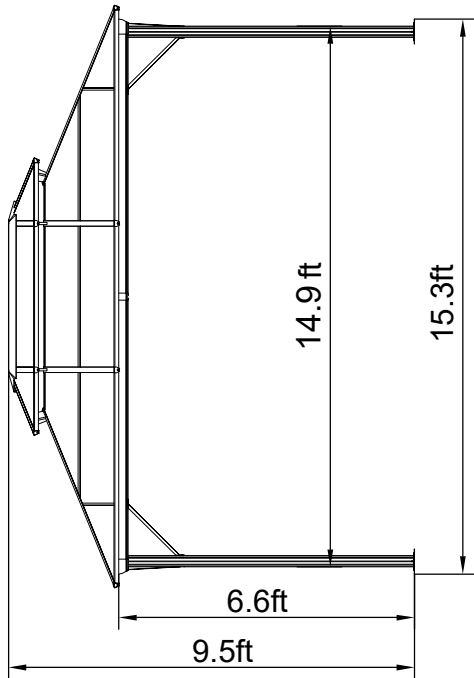
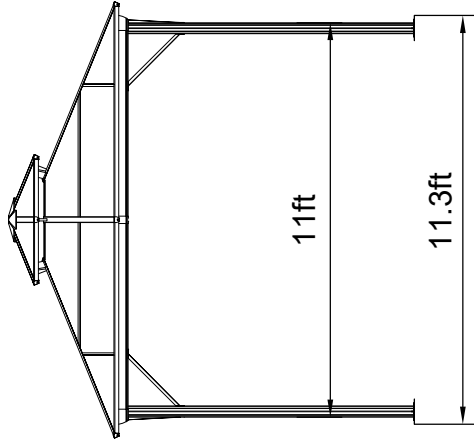
□ □ □ □ □ □ HWG20-033JS-3 □ □ □ □ □ □

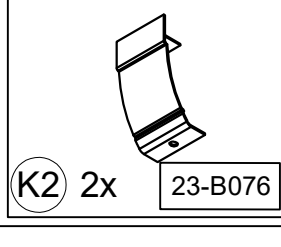
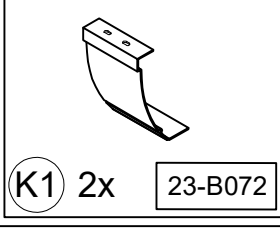
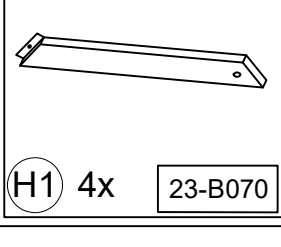
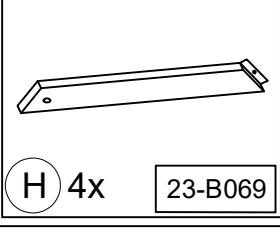
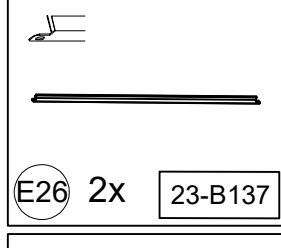
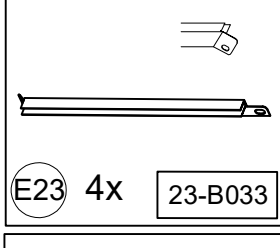
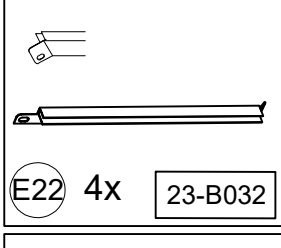
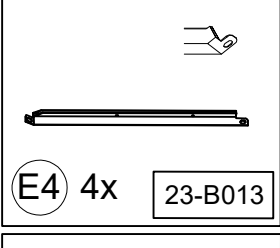
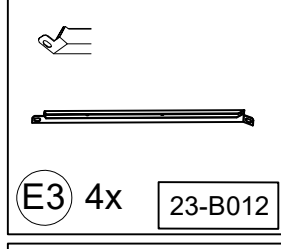
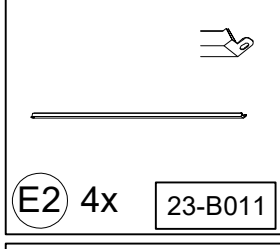
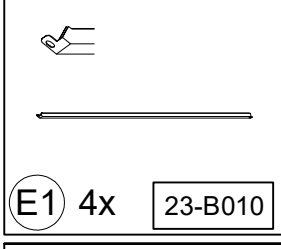
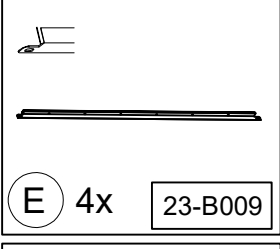
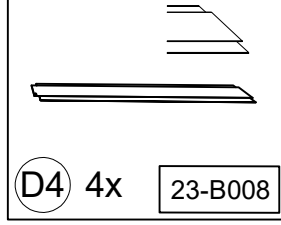
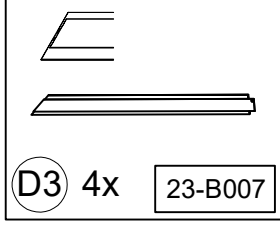
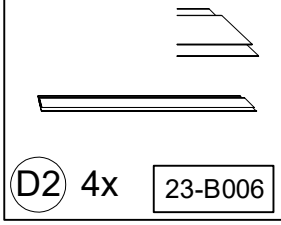
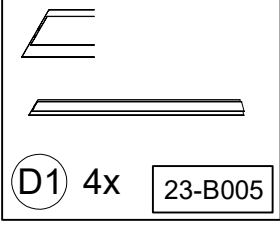
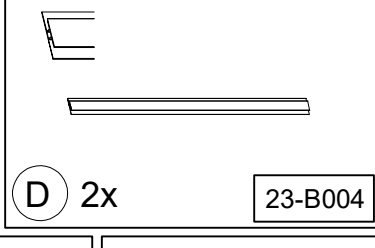
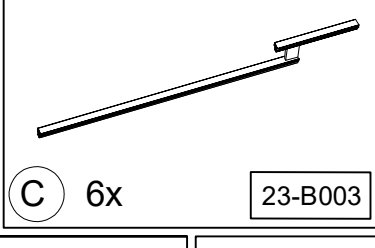
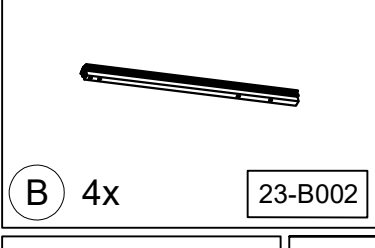
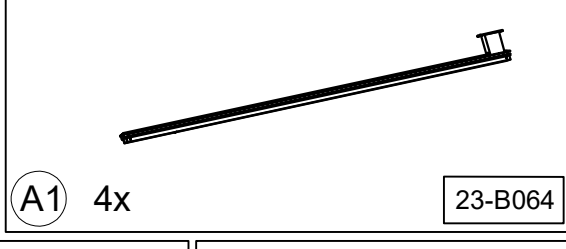
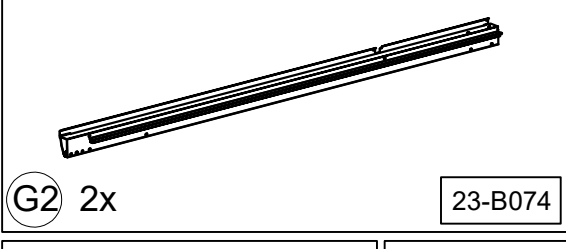
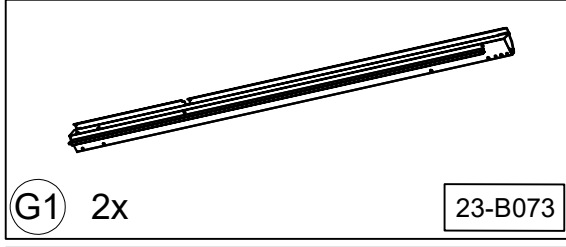
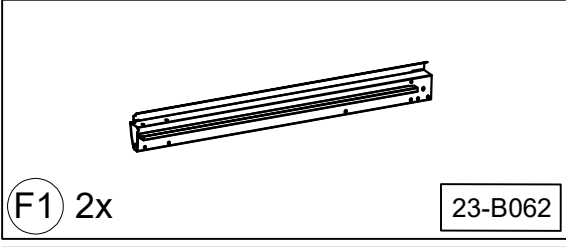
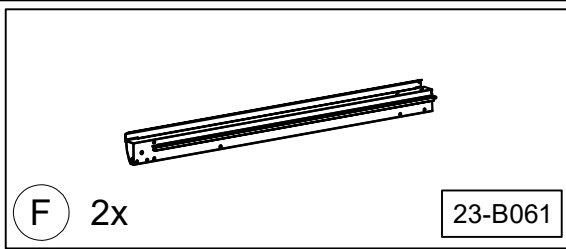
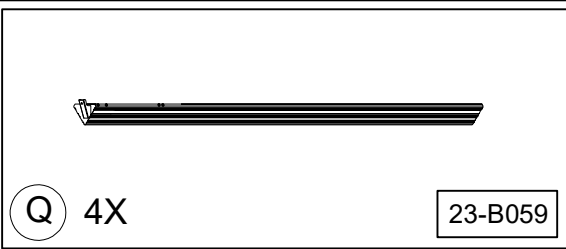


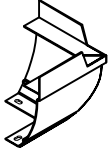

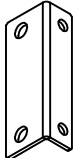

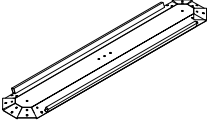
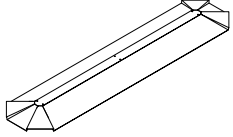


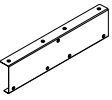
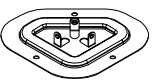
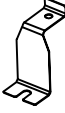
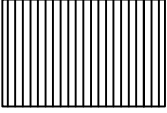
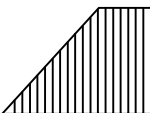
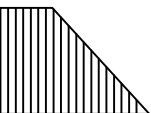
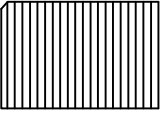
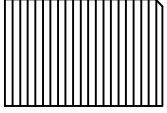
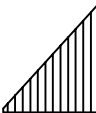
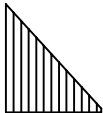

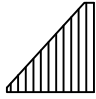
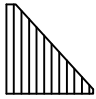
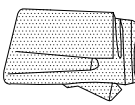
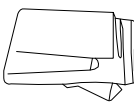

At least need 3 people work together

REQUIRED TOOLS







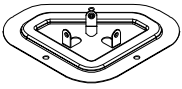
			
(K) 4x	(X) 6x	(X1) 8x	(X2) 8x
			
(L1) 1x	(M1) 1x	(N) 12x	(N1) 12x
			
(P) 4x	(J2) 4x	(V) 4x	
			
(S) 4x	(S1) 4x	(S2) 4x	(S3) 4x
			
(S4) 4x	(S5) 4x	(S6) 4x	(T) 2x
			
(T1) 4x	(T2) 4x		
			
(Y) 4x	(Z) 4x	(U) 128x	

Box A		Box C		Box D	
Part #	Qty	Part #	Qty	Part #	Qty
Q	4	C	2	S	4
E	4	F	2	S1	4
E1	4	F1	2	S2	4
E2	4	D	2	S3	4
E3	4	D1	4	S4	4
E4	4	D2	4	S5	4
E22	4	D3	4	S6	4
E23	4	D4	4	T	2
E26	2	L1	1	T1	4
P	4	M1	1	T2	4
C	4	H	4	Z	4
		H1	4		
		Y	4		
		K	4		
		K1	2		
		K2	2		
		X	6		
		X1	8		
		X2	8		
		N	12		
		N1	12		
		J2	4		
		V	4		
		U	128		
		Bags for screws: 1-8	1		

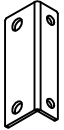
<1>



Q 4x



J2 4x



X1 8x



X2 8x

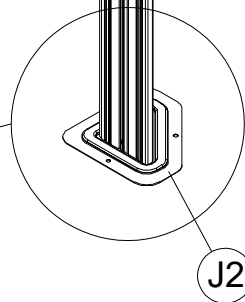
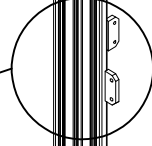
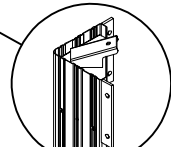
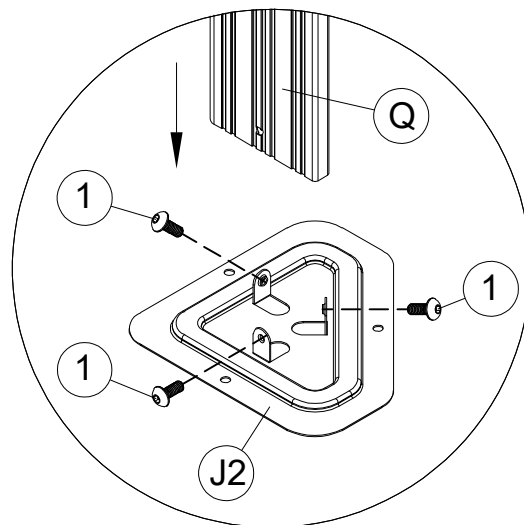
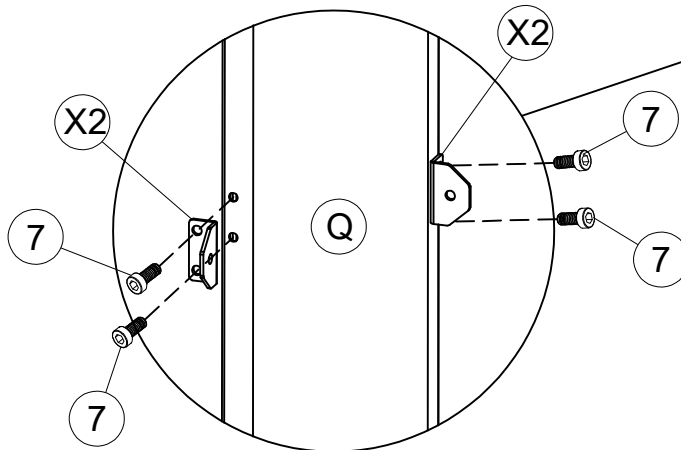
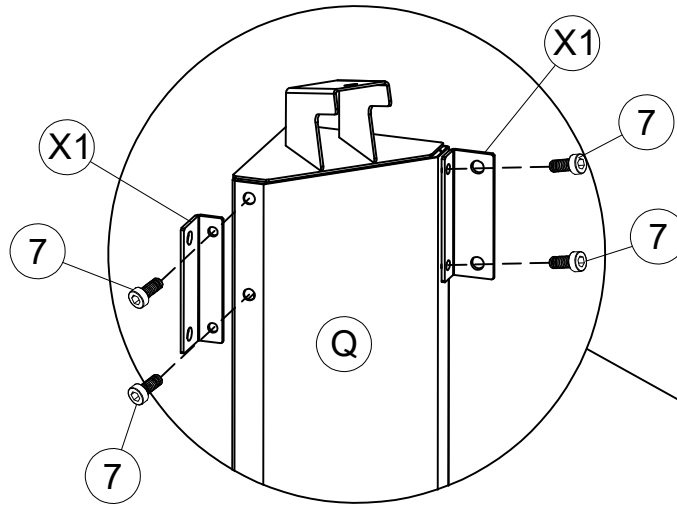


1 M6x15
12x

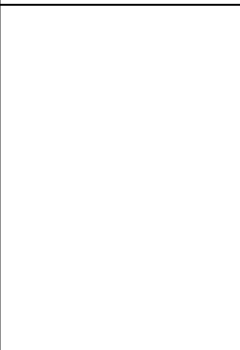
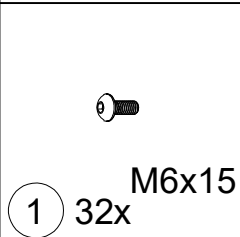
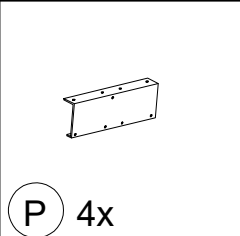
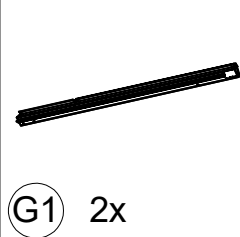
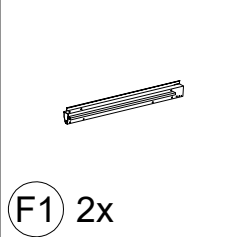
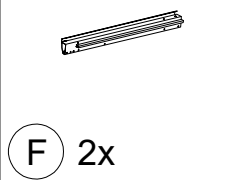


7 M5x15
32x

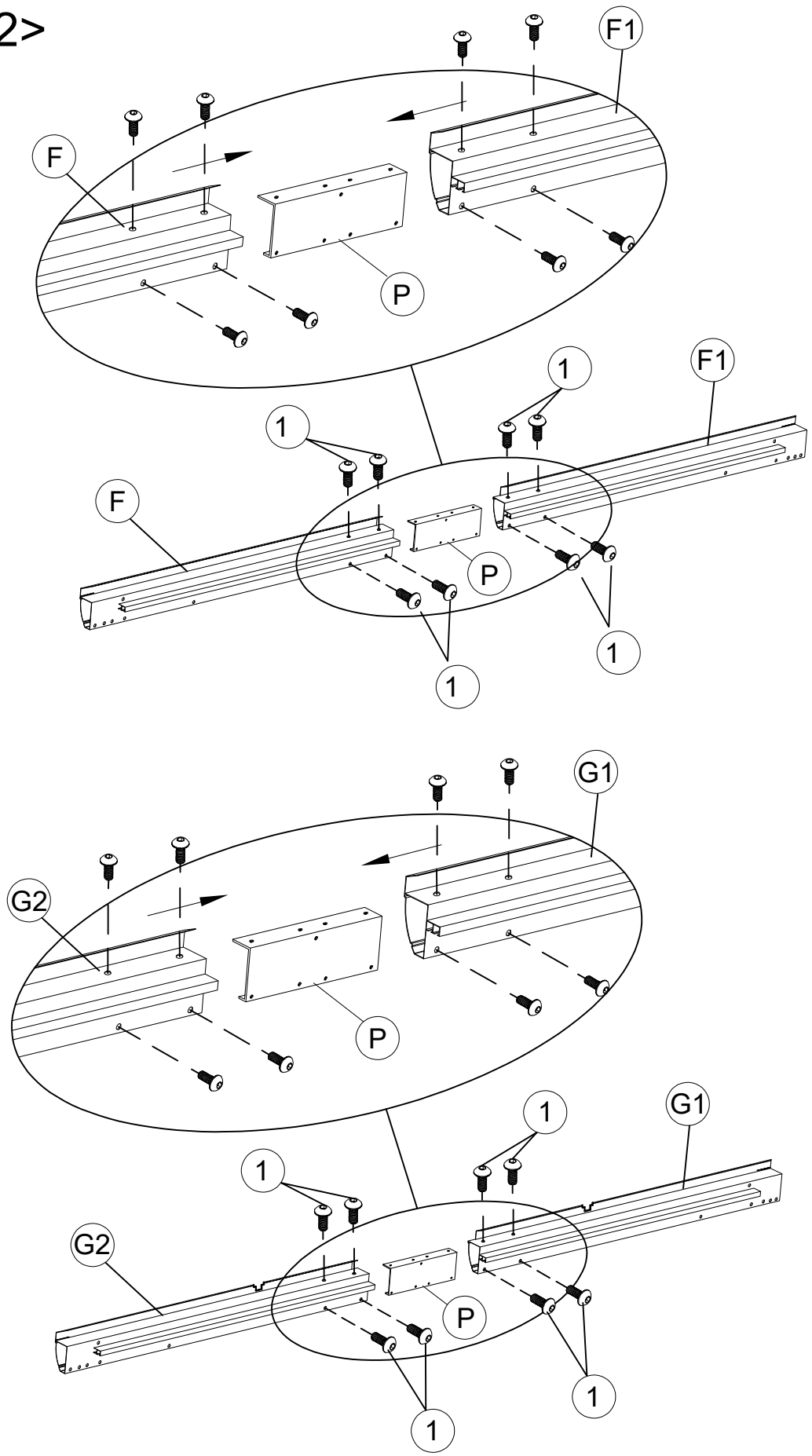
7



<2>



8



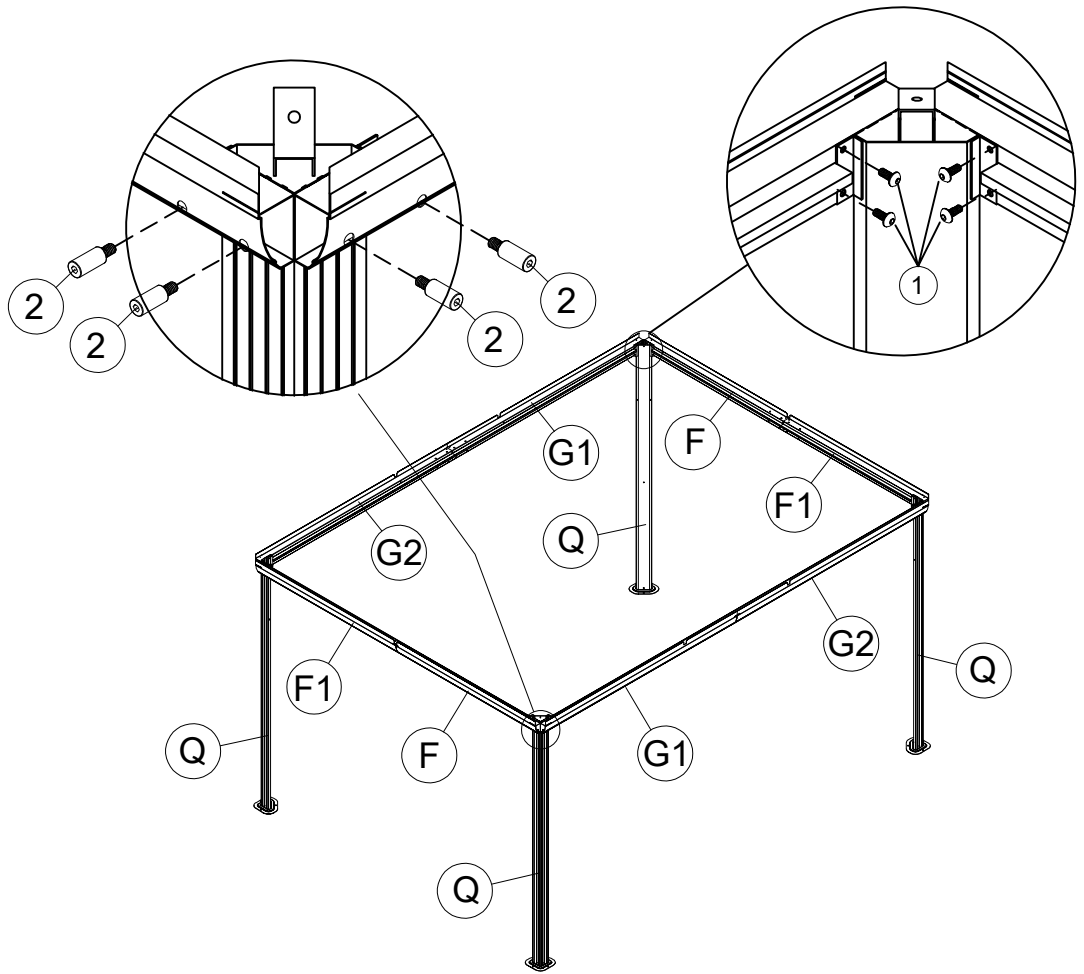


<3>

1 16x M6x15



2 16x





H 4x

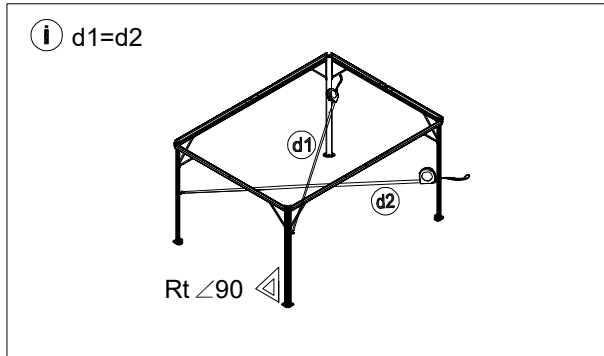


H1 4x

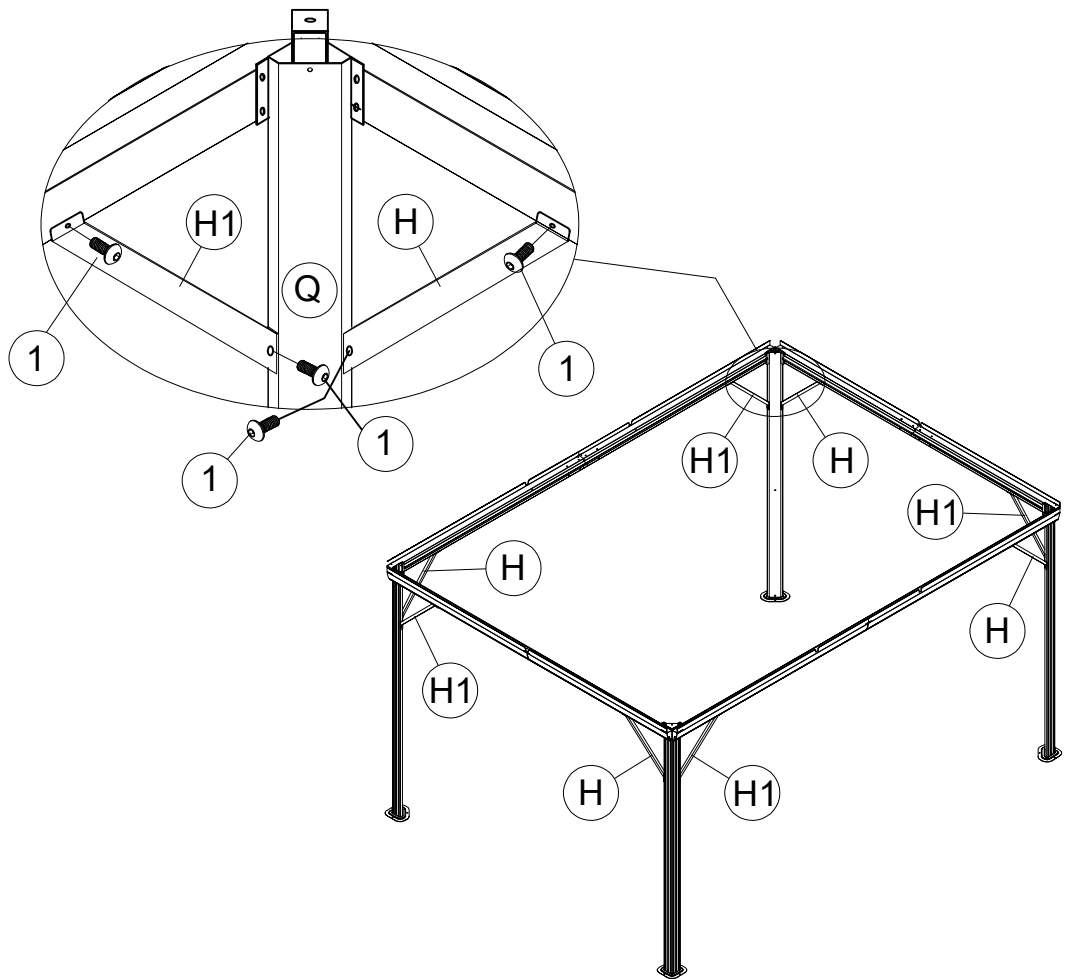


1 16x M6x15

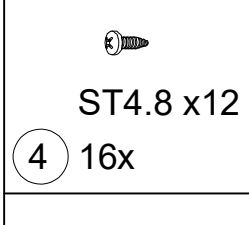
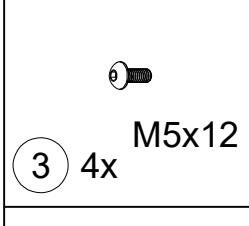
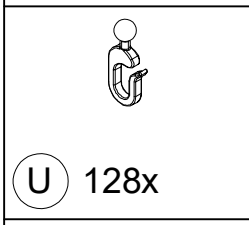
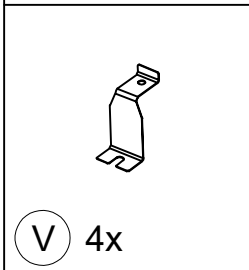
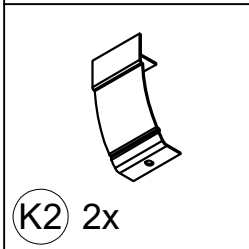
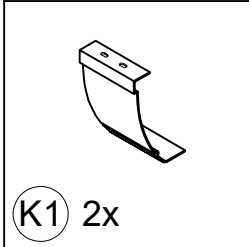
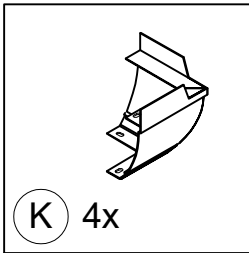
<4>



Tips: Please measure to make sure the length of d1 is equal to d2 before moving to next step to ensure a square frame and best results. Keep the beam at right angles to the post, the post at right angles to the ground, and keep the beam horizontal.

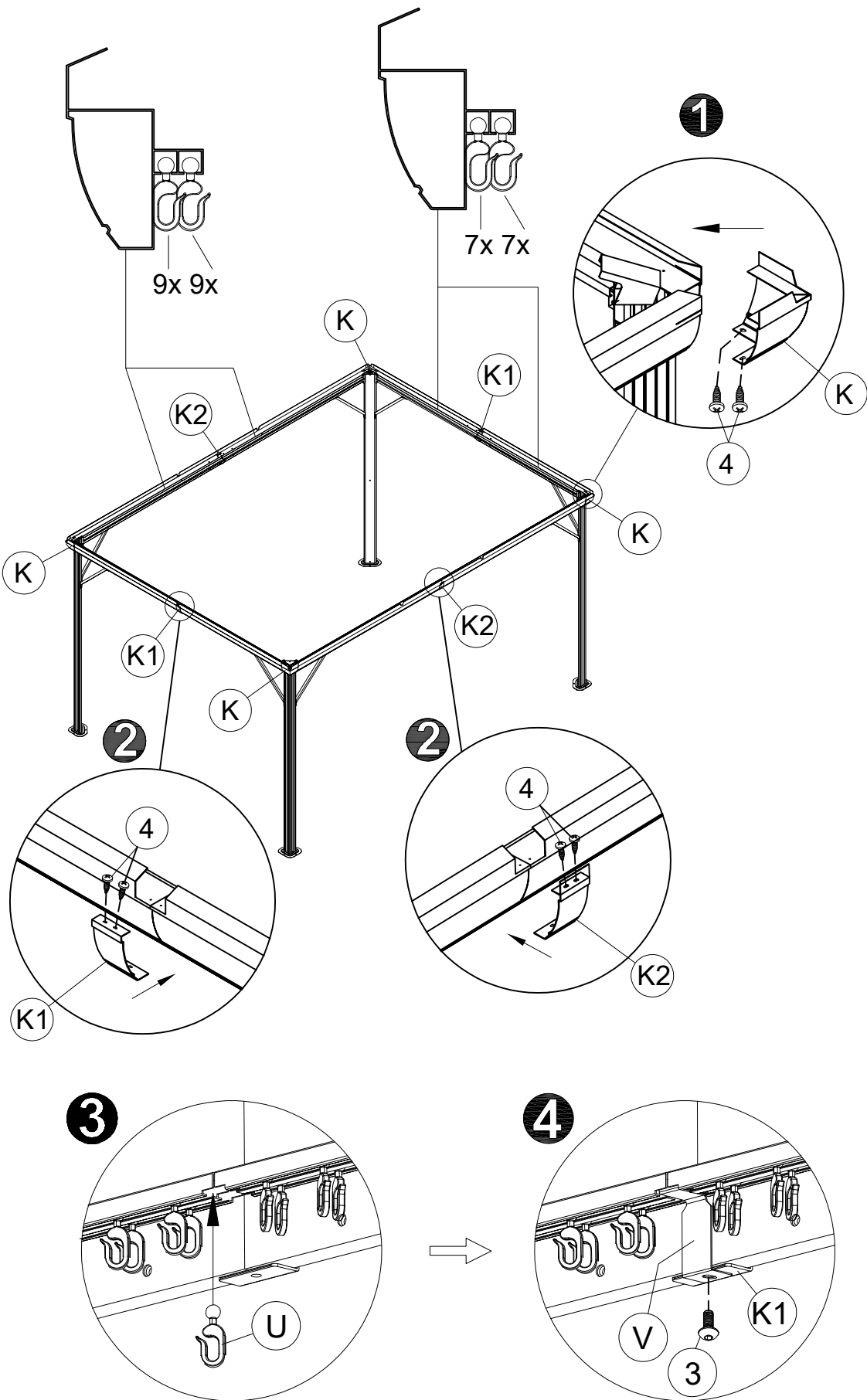


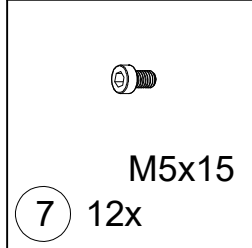
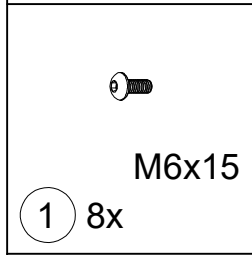
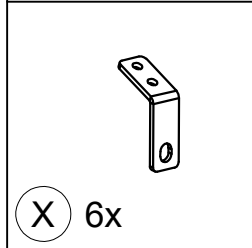
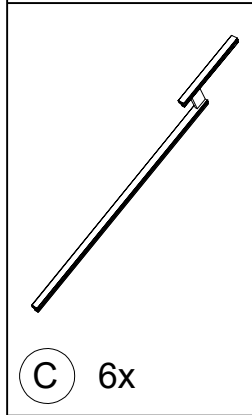
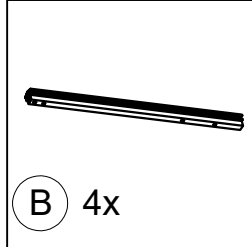
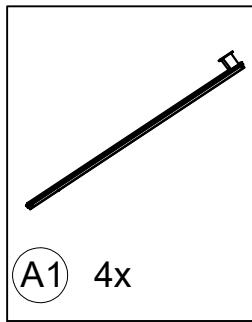
10



11

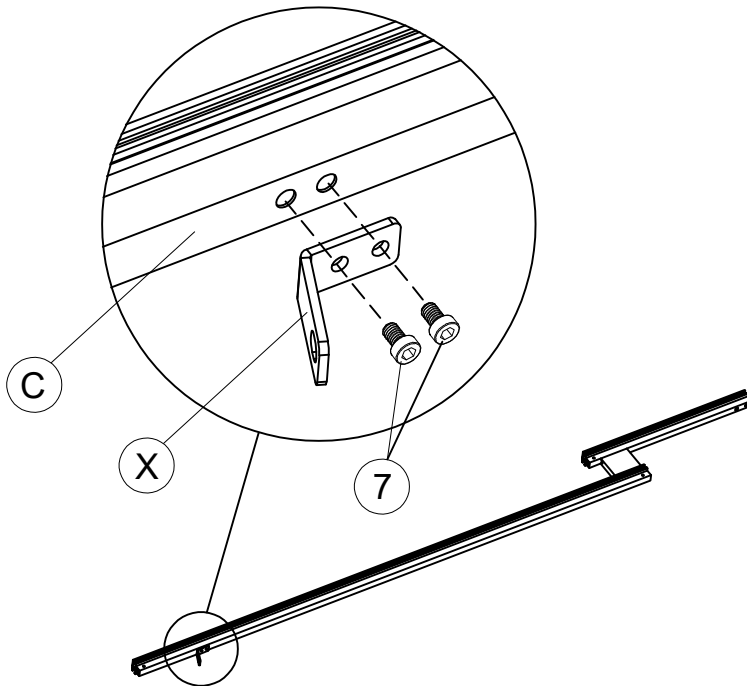
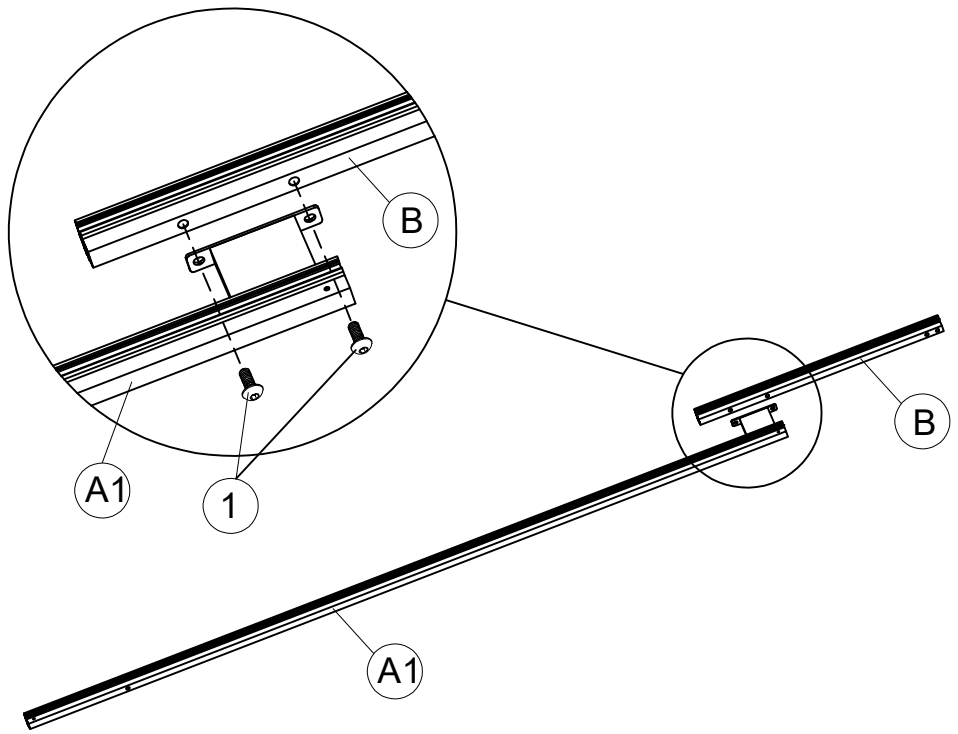
<5>

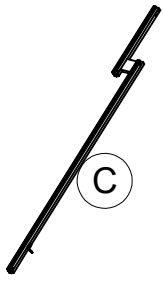




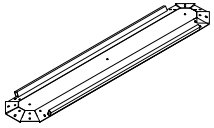
12

<6>





4x

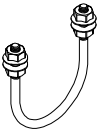


(L1) 1x



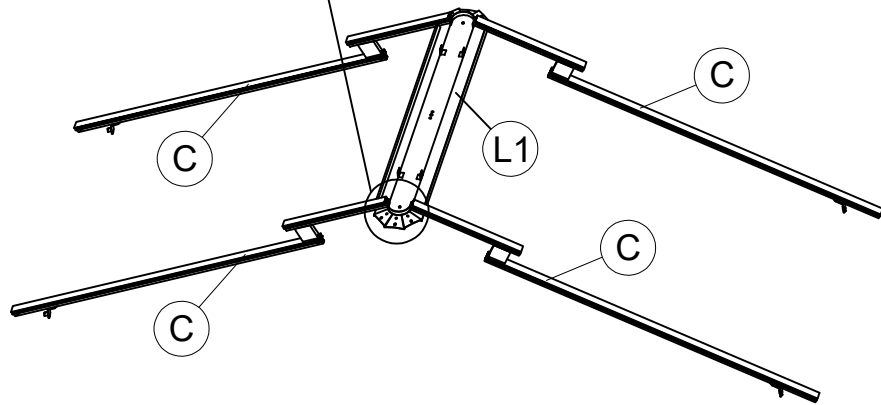
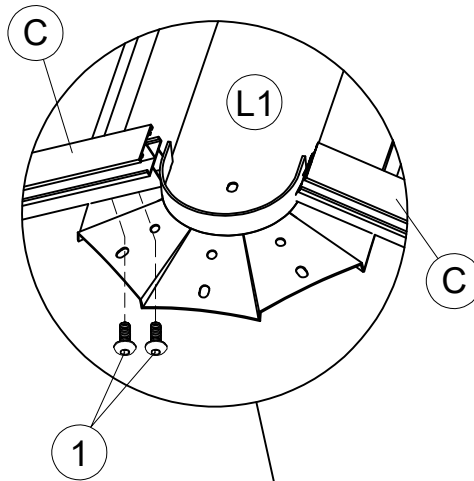
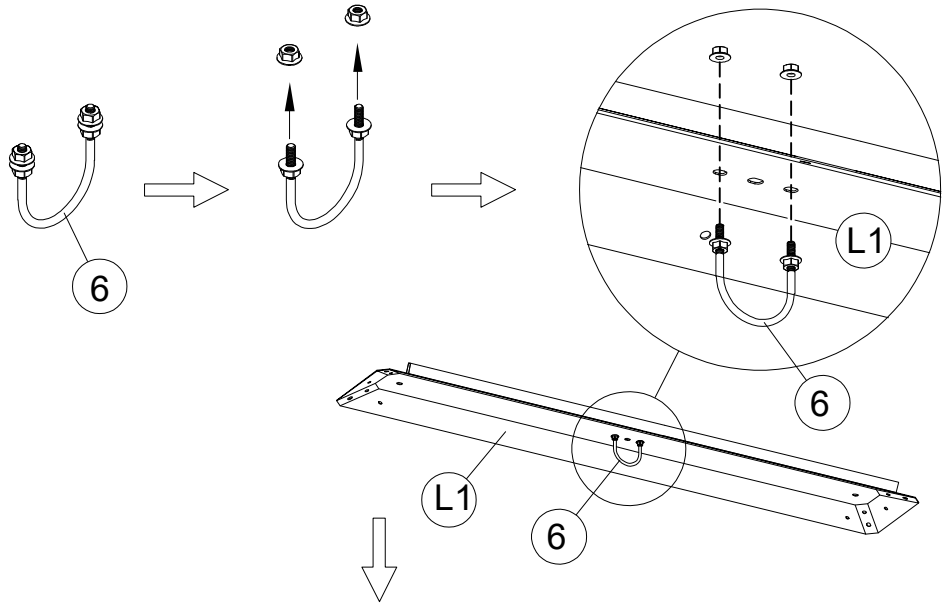
M6x15

(1) 8x



(6) 1x

<7>



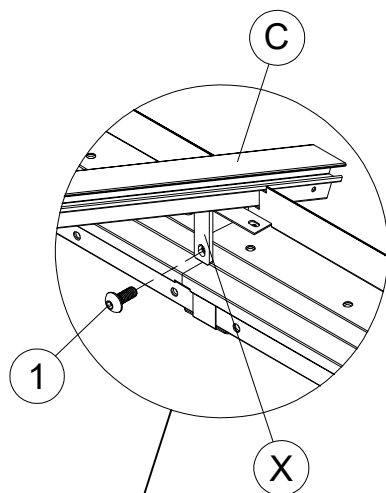
13

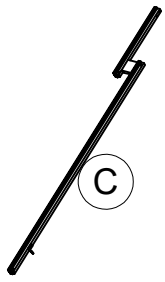


<8>

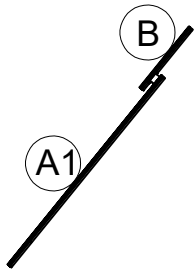
M6x15

1 4x





2x



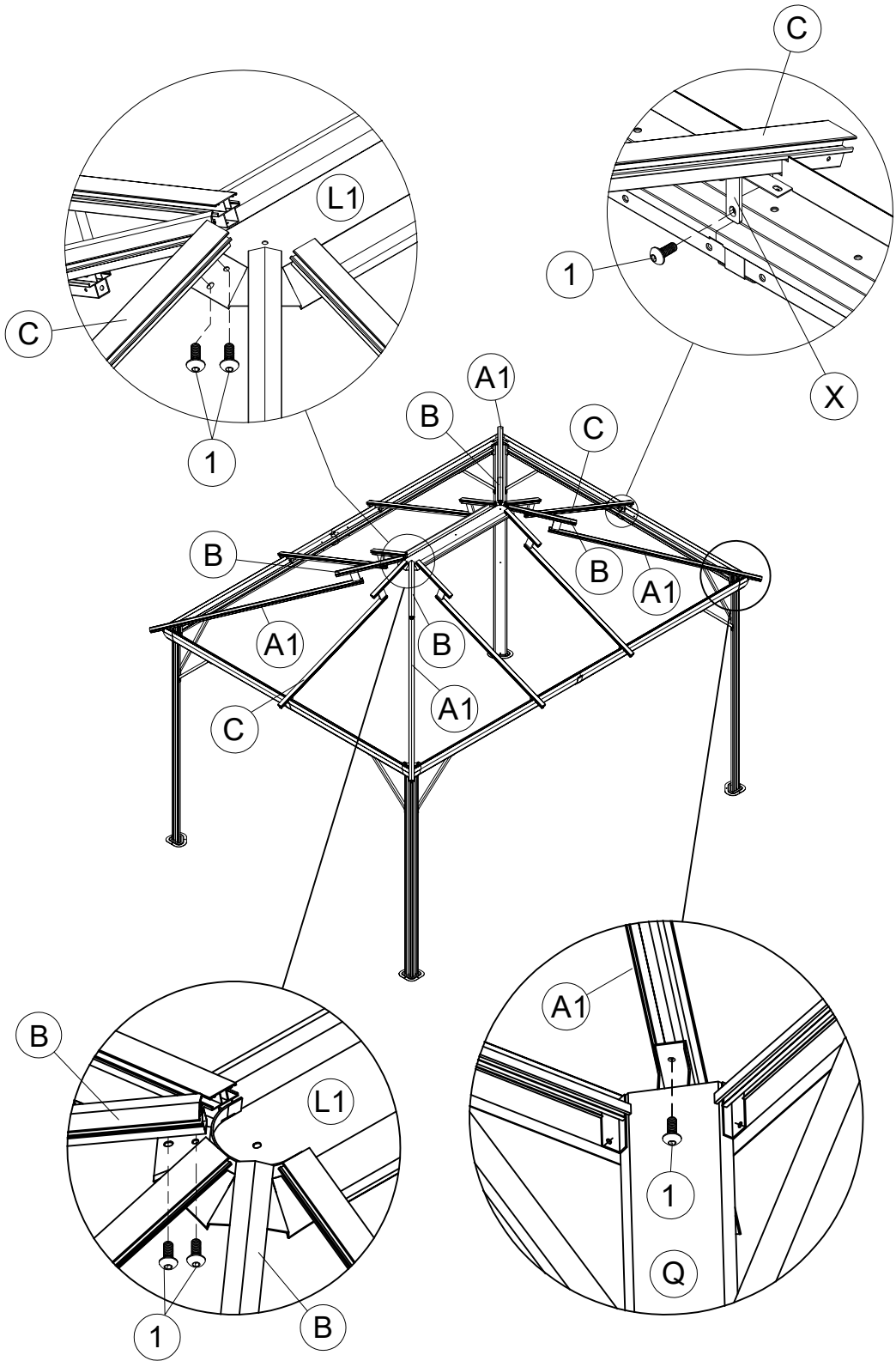
4x



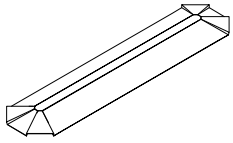
M6x15

18x

<9>



15



<10>

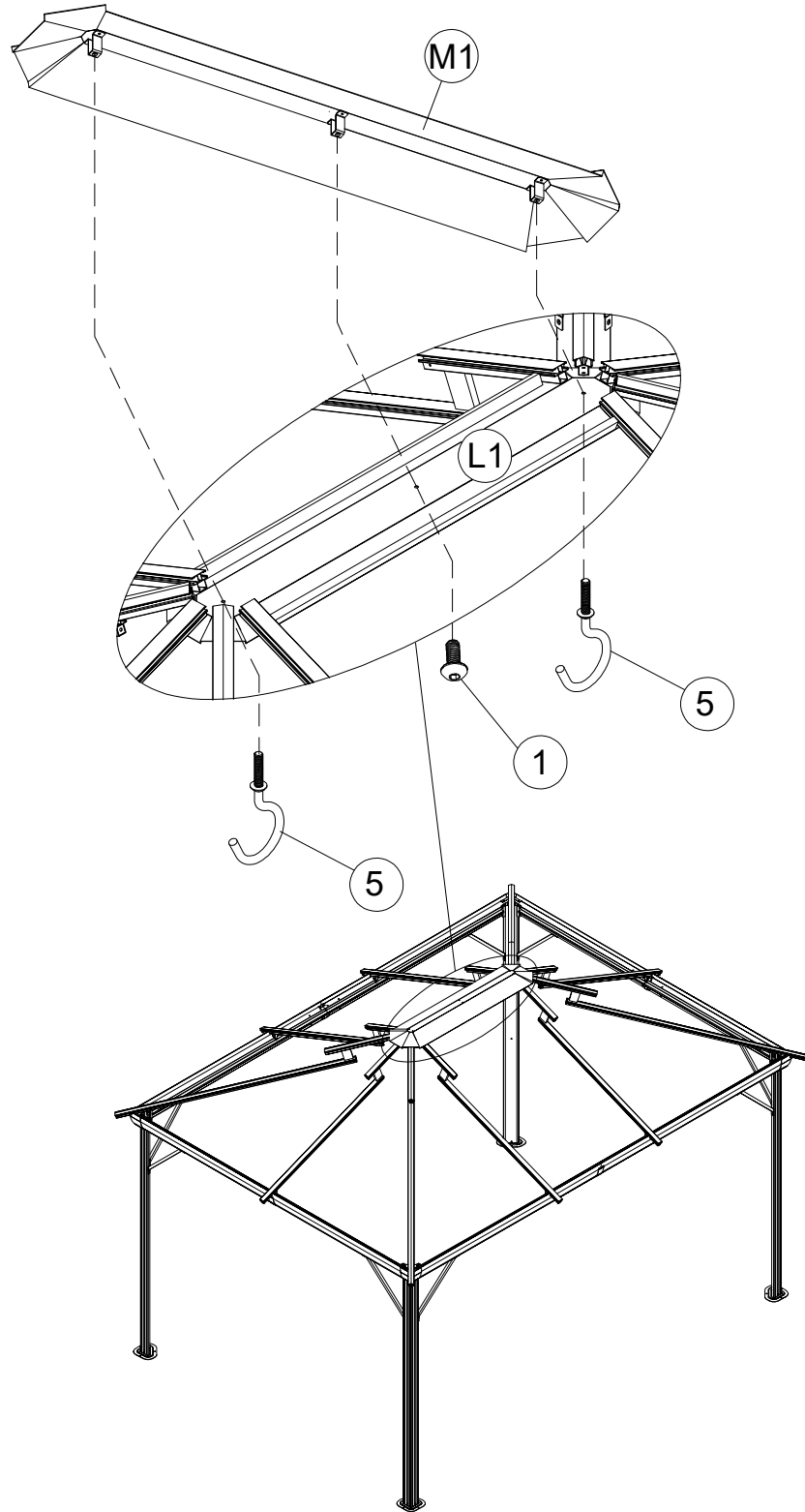
M1 1x

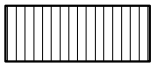


1 1x M6x15



5 2x



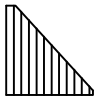


<11>

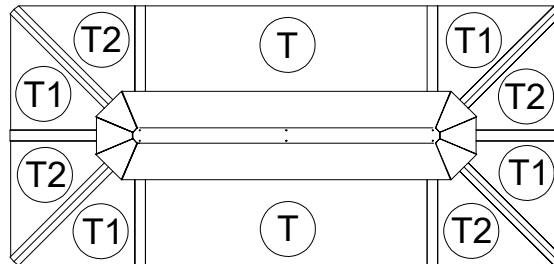
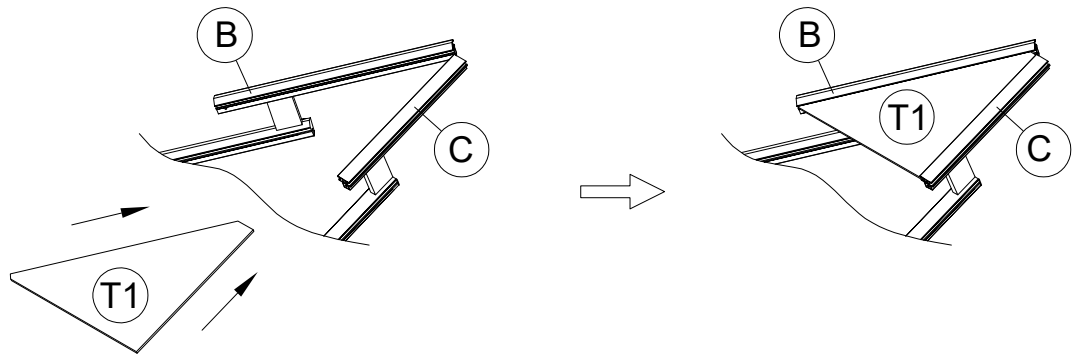
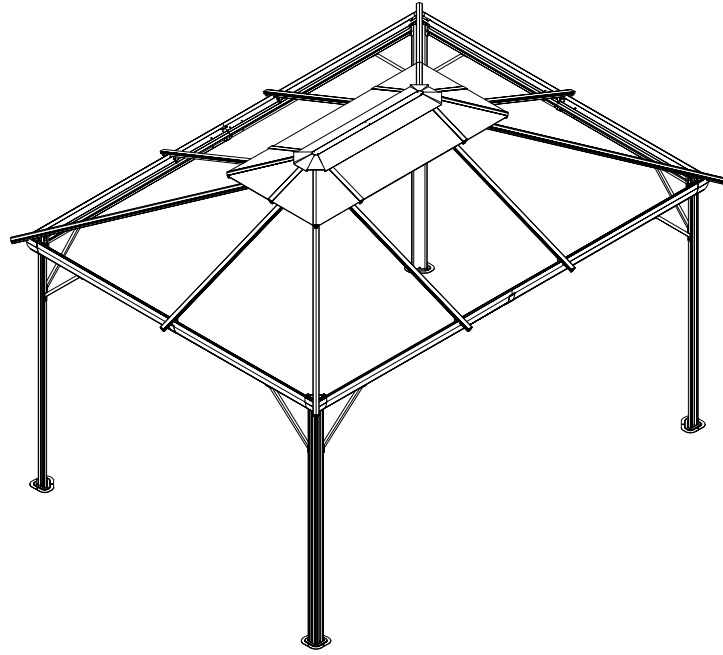
T 2x



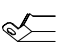
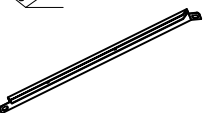
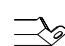






T1 4x

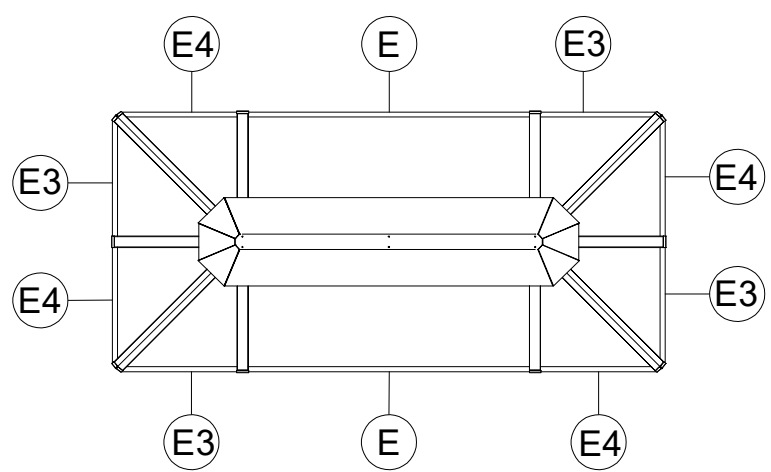
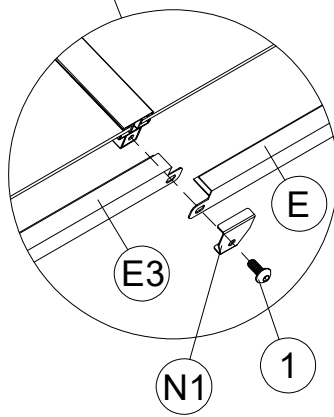
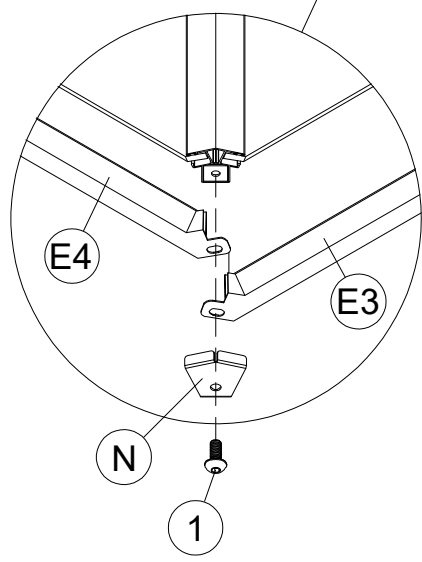
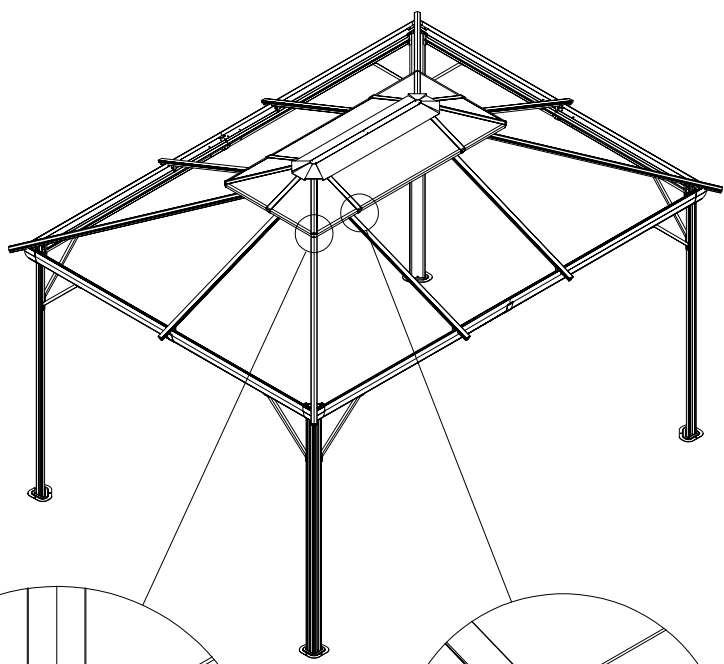


T2 2x

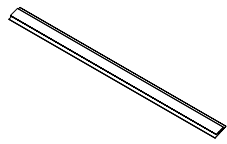


-   **E 2x**
-   **E3 4x**
-   **E4 4x**
-  **N 4x**
-  **N1 6x**
-  **M6x15**
1 10x

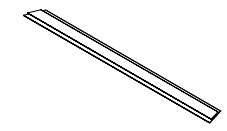
<12>



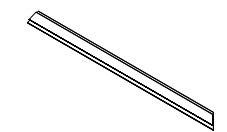
<13>



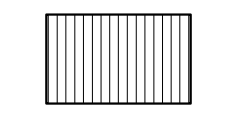
D 2x



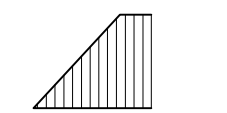
D1 4x



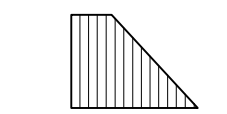
D2 4x



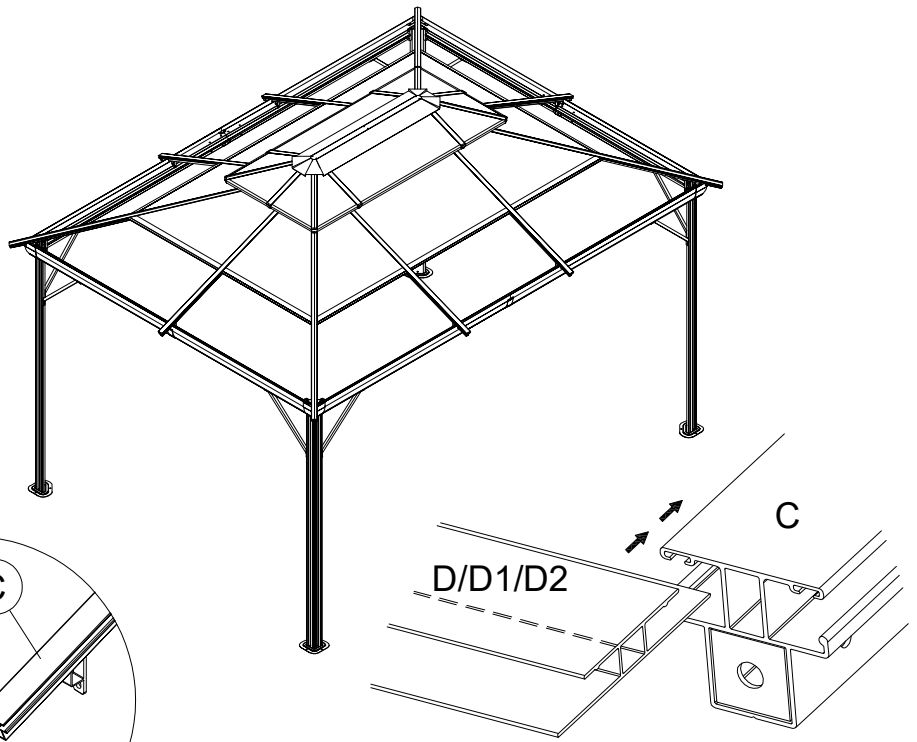
S 2x



S1 4x

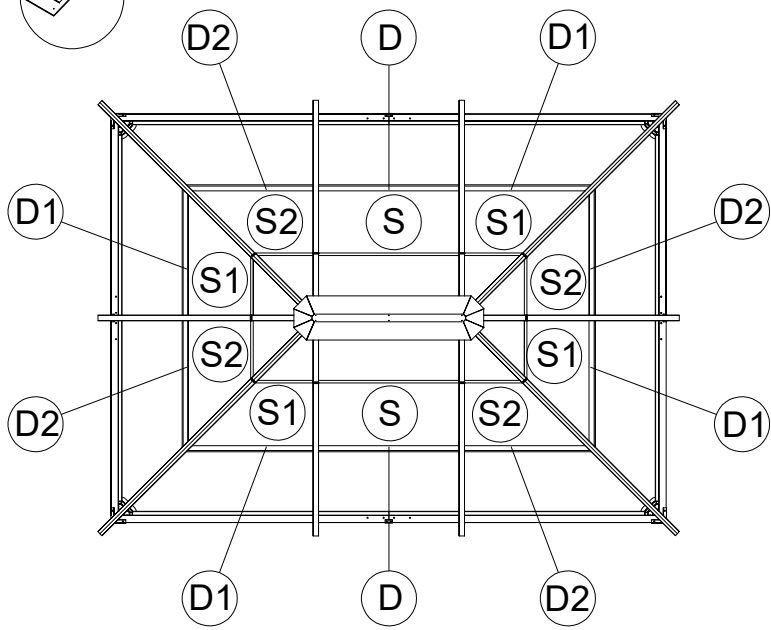
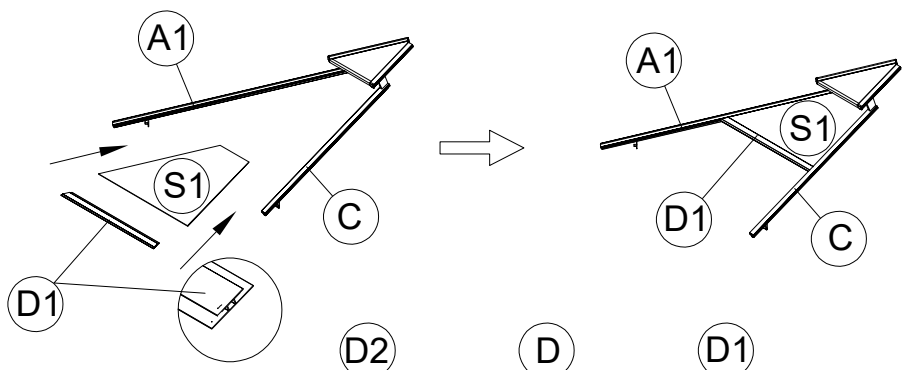


S2 4x

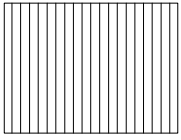


Note:

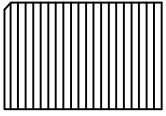
When D or D1 or D2 slide into the C, the wide side must be face down and narrow side face up, otherwise will cause water leaking



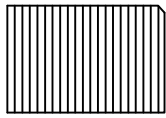
<14>



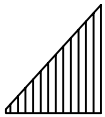
S 2x



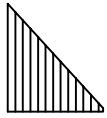
S3 4x



S4 4x



S5 4x



S6 4x

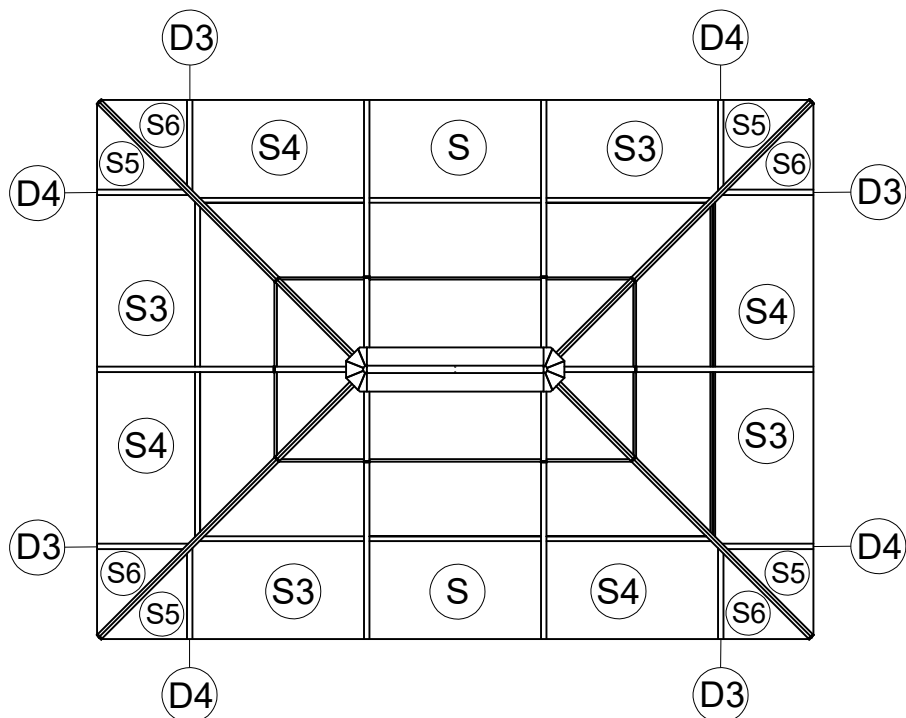
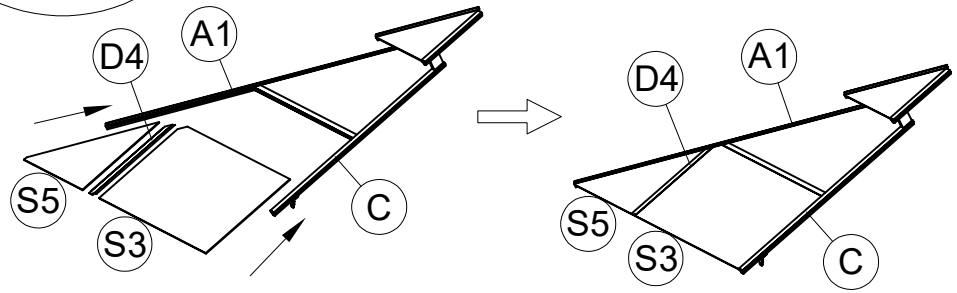
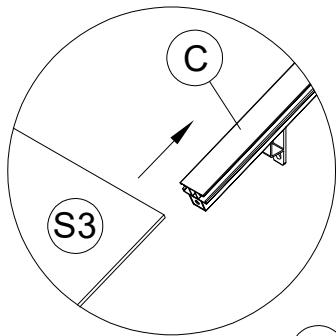
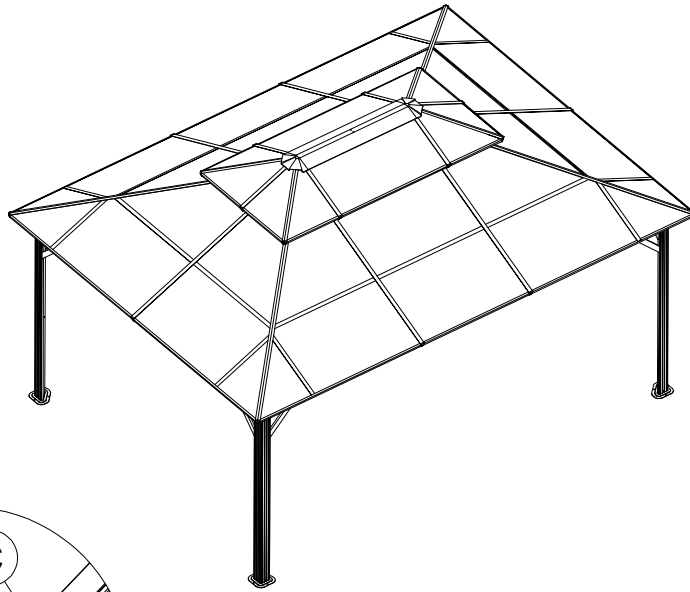


D3 4x

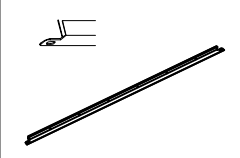


D4 4x

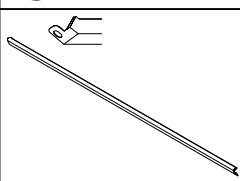
20



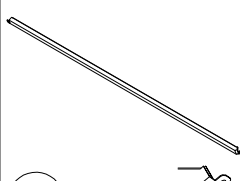
<15>



E 2x



E1 4x



E2 4x



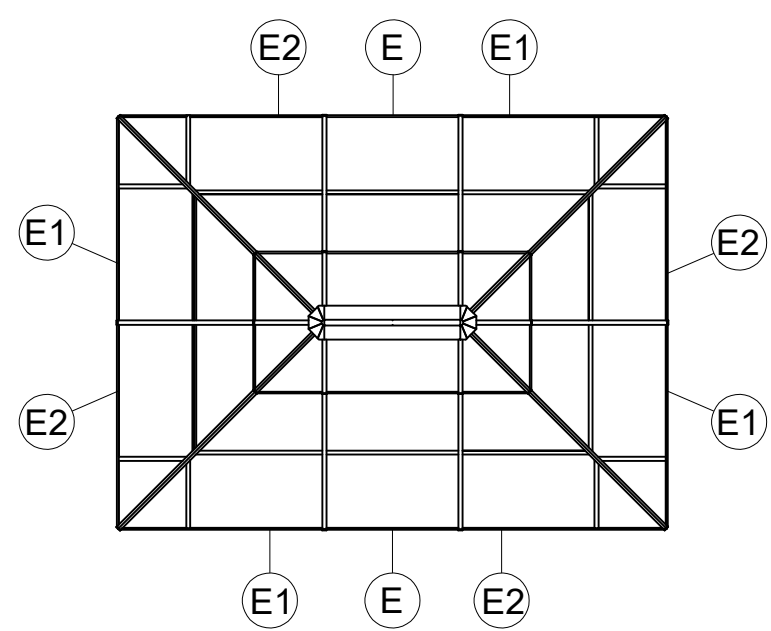
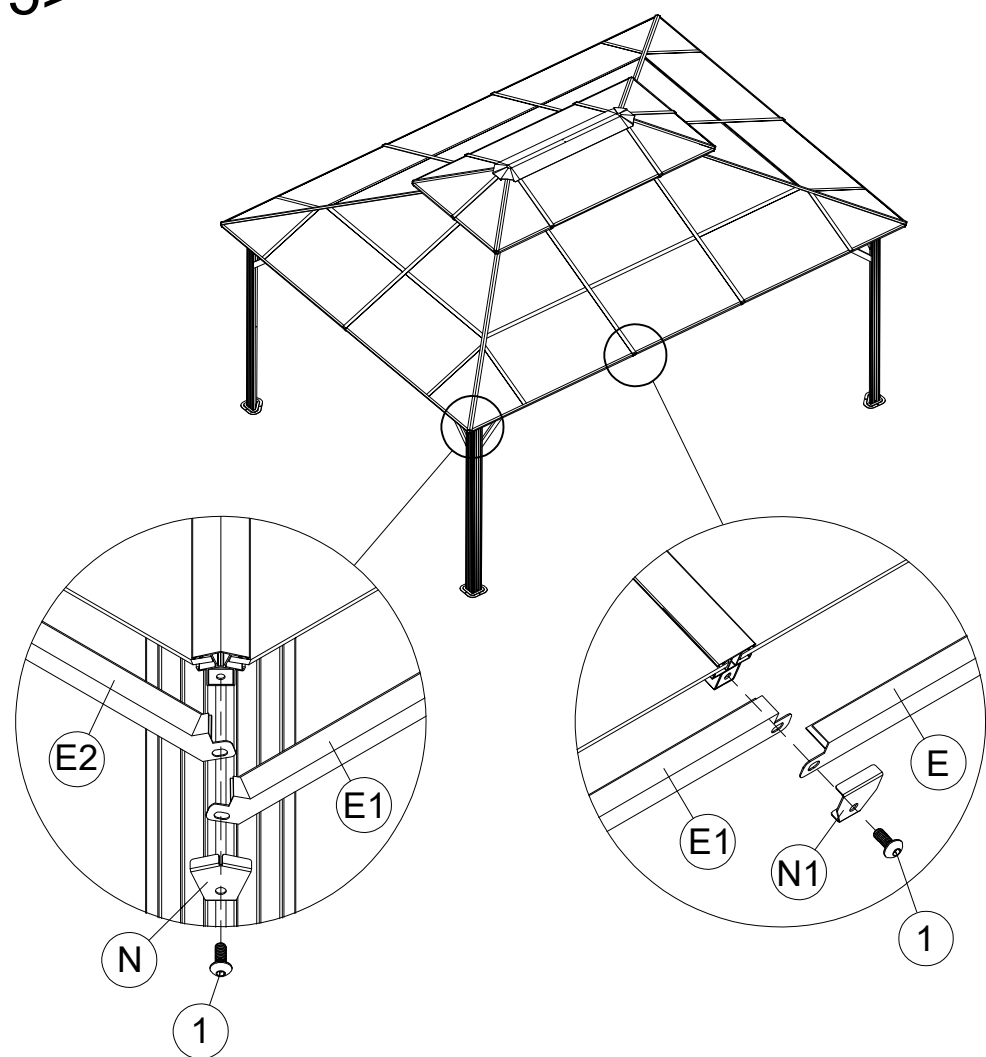
N 4x

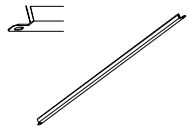


N1 6x



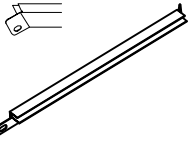
1 10x M6x15



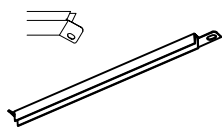


<16>

E26 2x



E22 4x



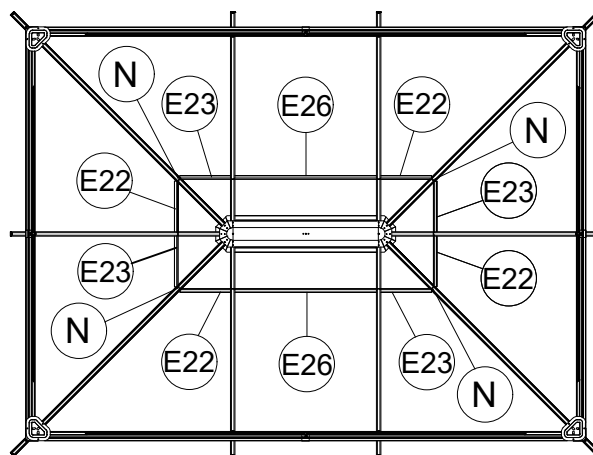
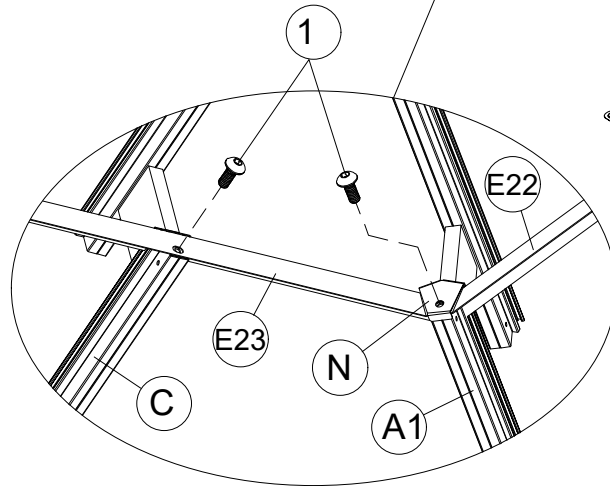
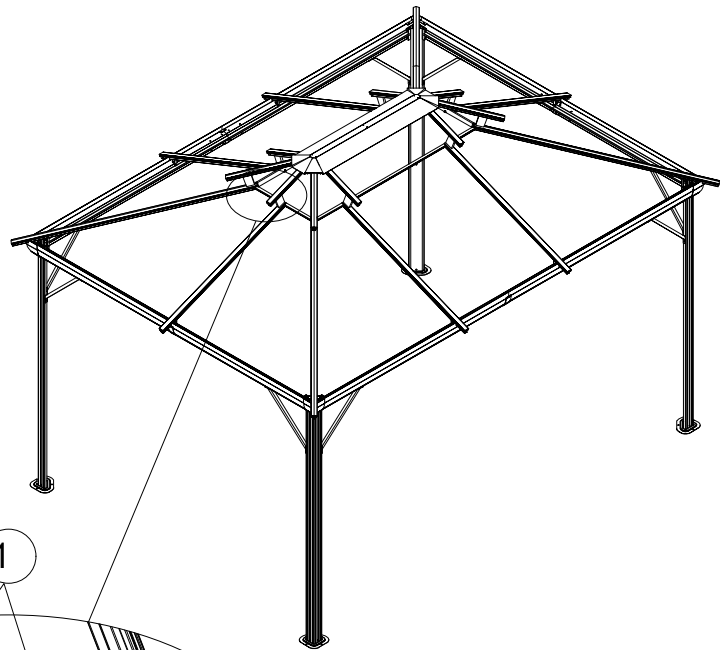
E23 4x



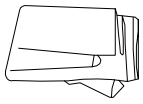
N 4x



1 10x M6x15

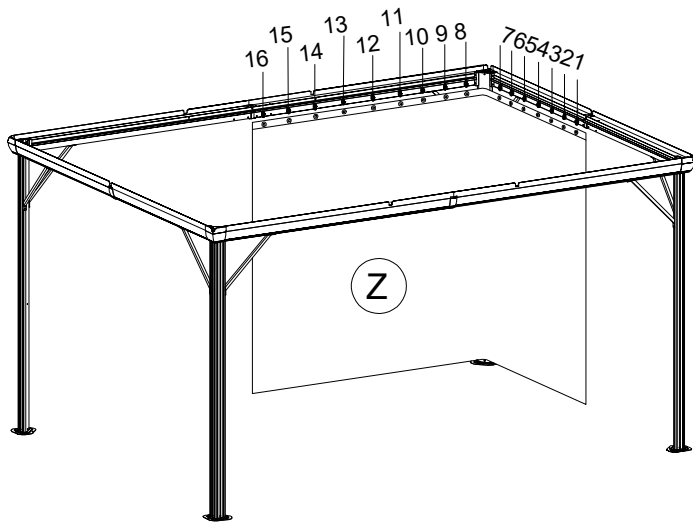
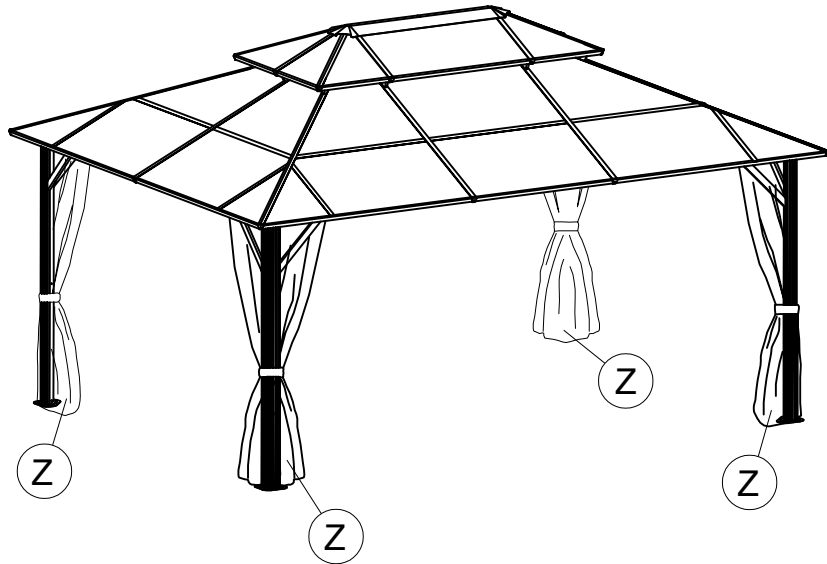
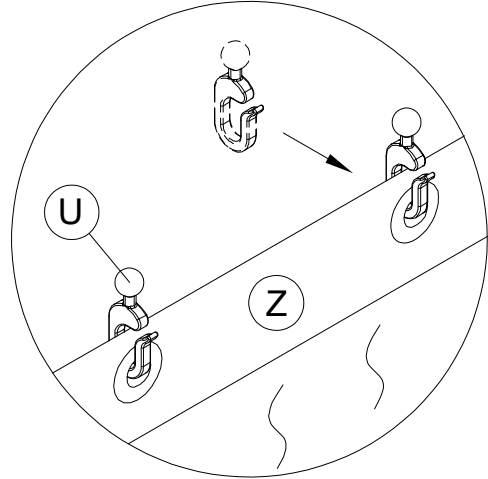
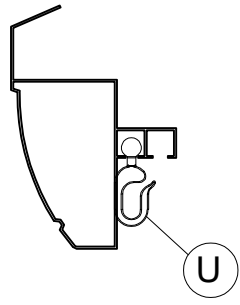


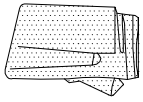
Upward view of the roof



<17>

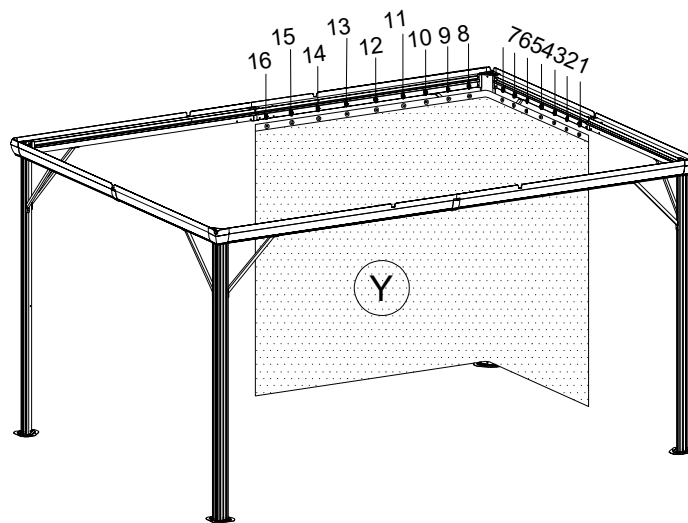
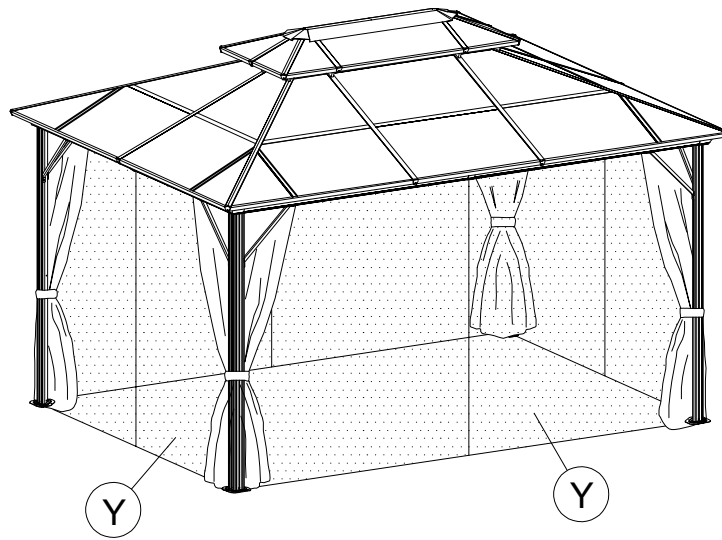
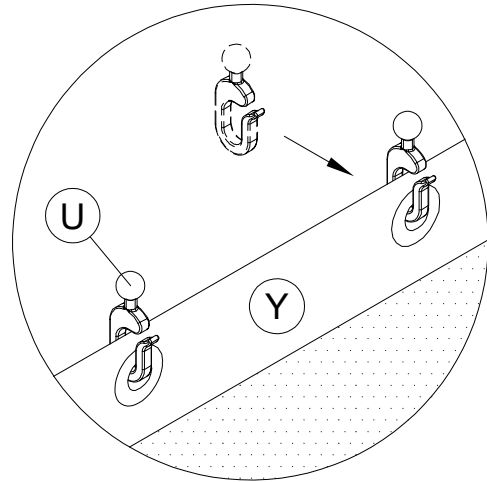
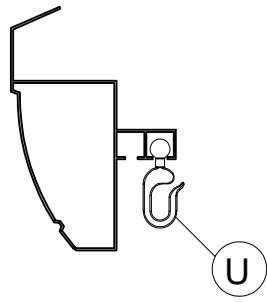
Z 4x





<18>

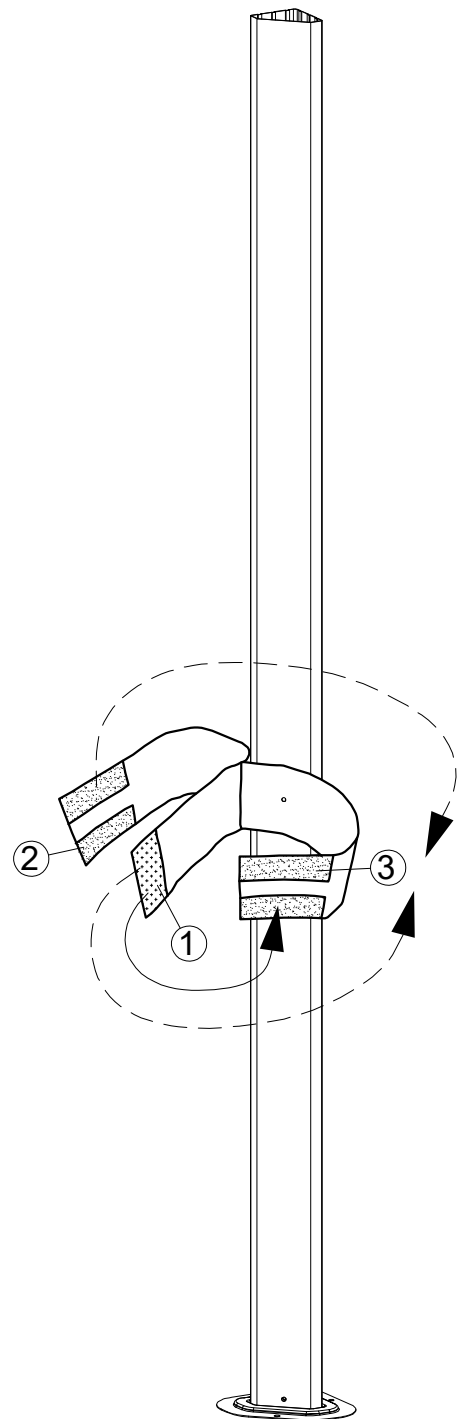
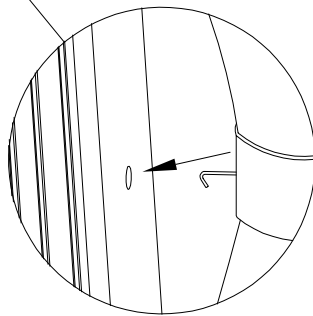
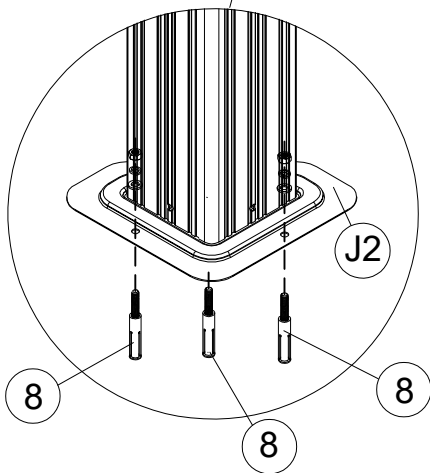
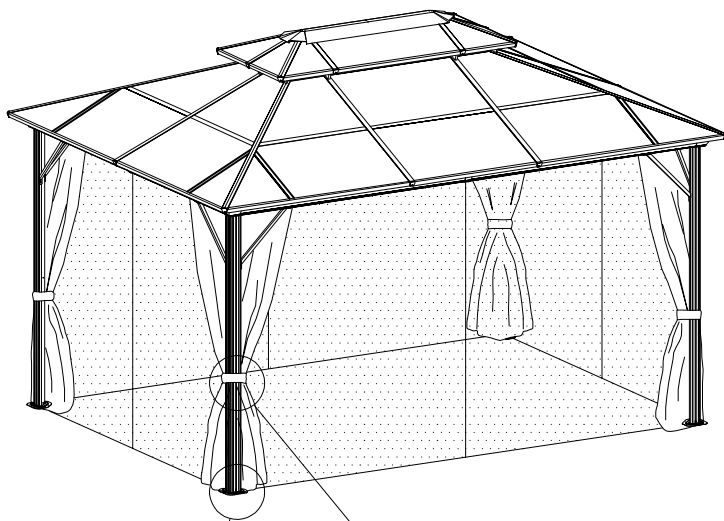
Y 4x





<19>

8 12x



25

Note:

1. 1 stick 2 tie Y and Z together
2. 1 stick 3 towards back tie Y
3. 1 stick 3 towards front tie Z